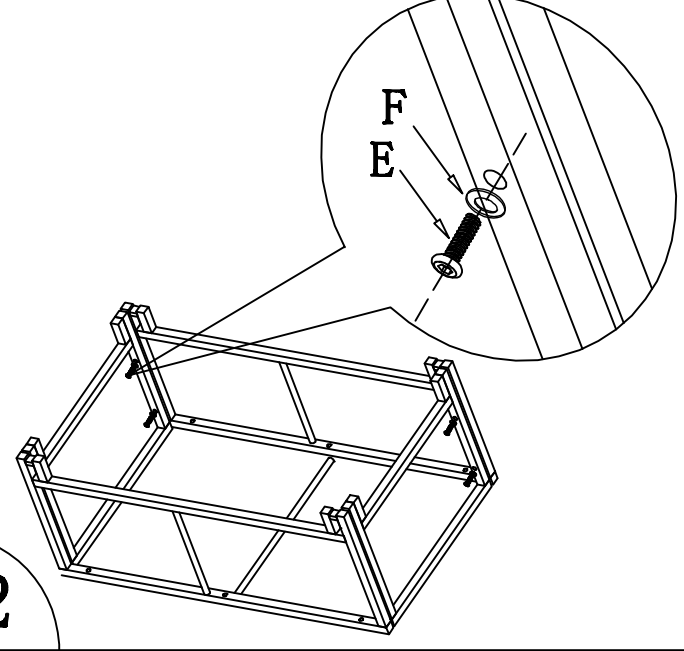
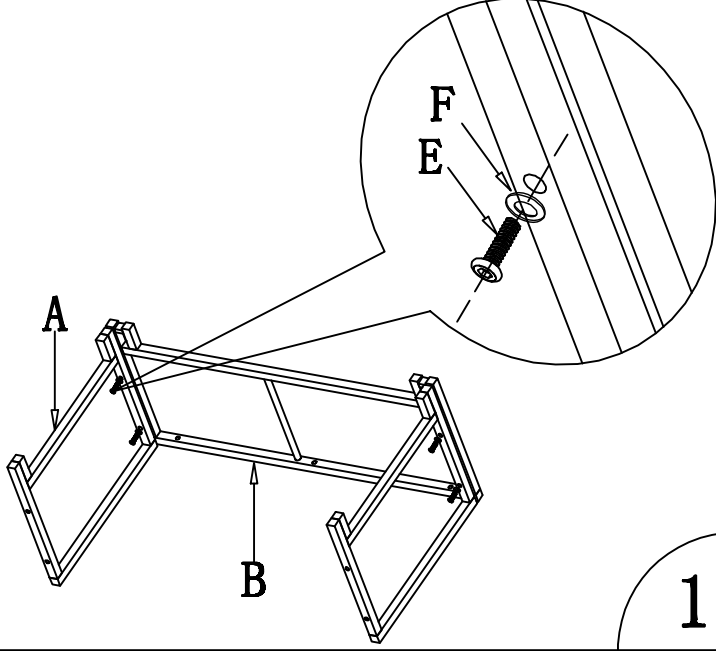




# ASSEMBLE INSTRUCTION

A		2	B		2	C		1
D		1	E		14	F		14
G		1						



1 2  
3 4

