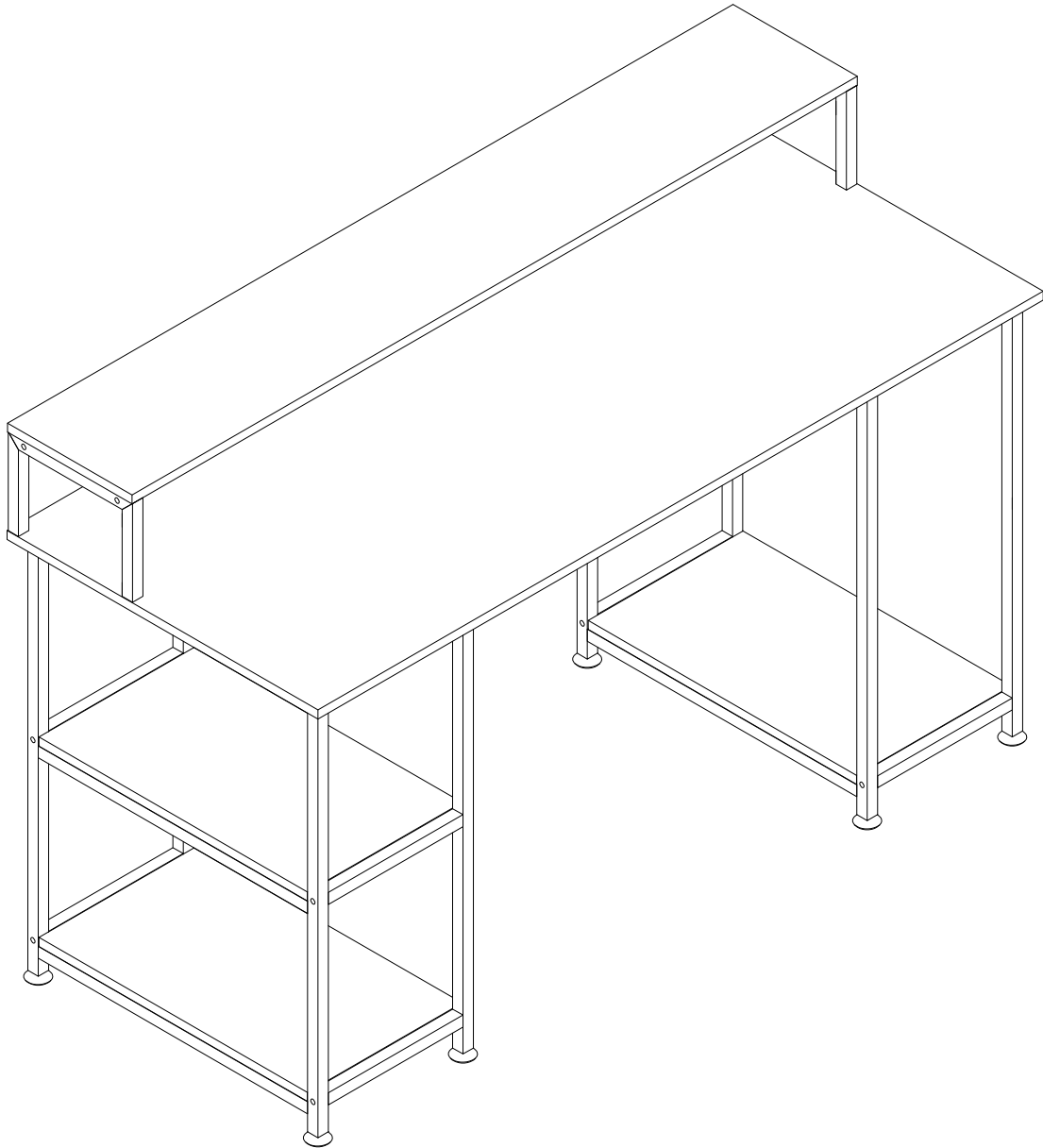


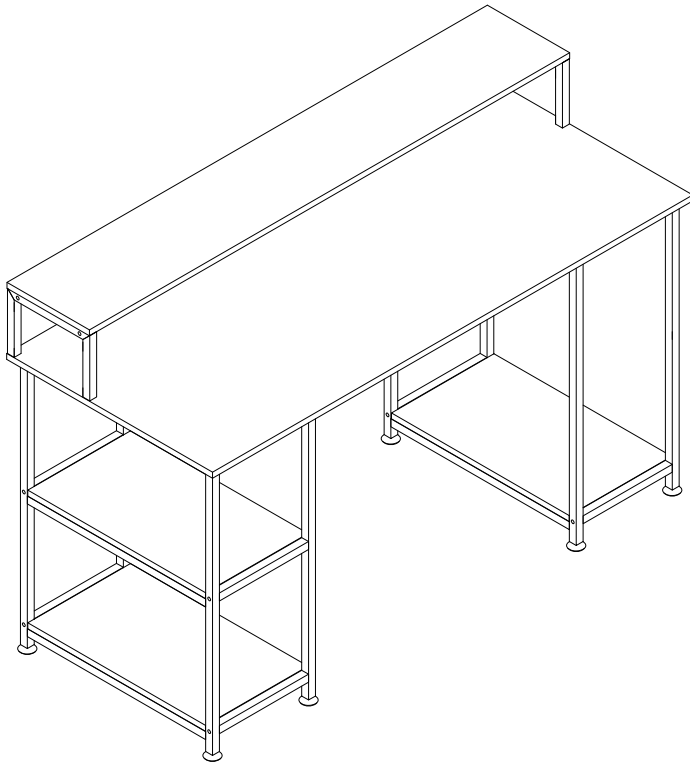
836-202V80BK/836-202V80WT/836-202



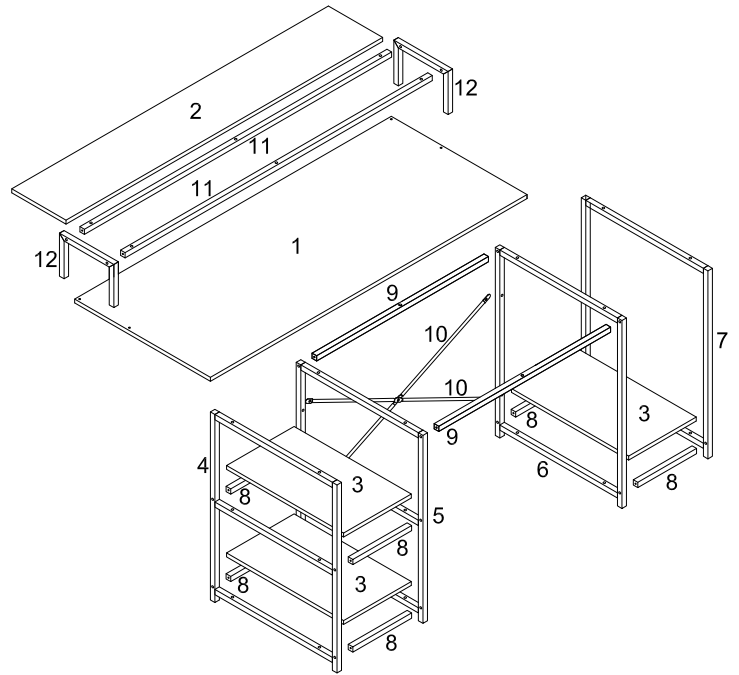
**Please read these instructions and warranty information carefully before use and keep them properly for future reference.**

# ASSEMBLY INSTRUCTION

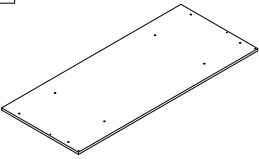
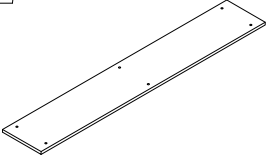
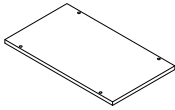
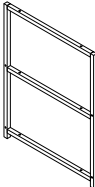
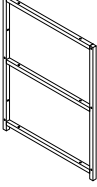
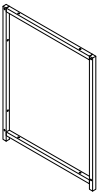
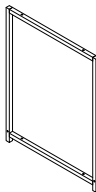
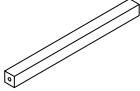
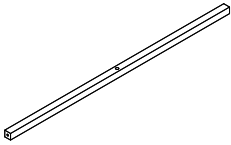

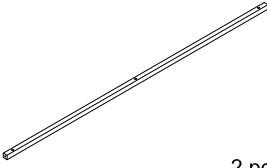
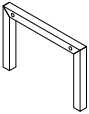
The installation is complete



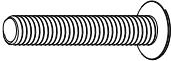


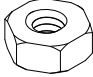
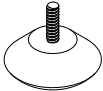
Decomposition of components



Please check the board number and number

1  1 pc	2  1 pc	3  3 pcs	4  1 pc	5  1 pc
6  1 pc	7  1 pc	8  6 pcs	9  2 pcs	10  2 pcs
11  2 pcs	12  2 pcs	13	14	15

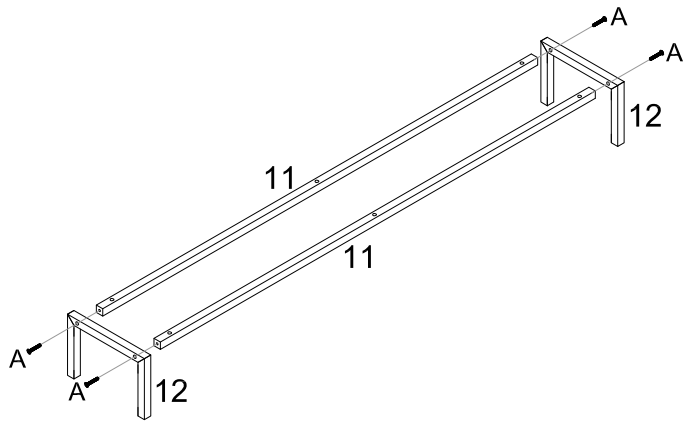
Please check the number and quantity

A  M6*35 20 pcs	B  M6*30 32 pcs	C  M6*12 5 pcs	D  M6 1 pc	E  8 pcs
--	---	--	--	---

# ASSEMBLY INSTRUCTION

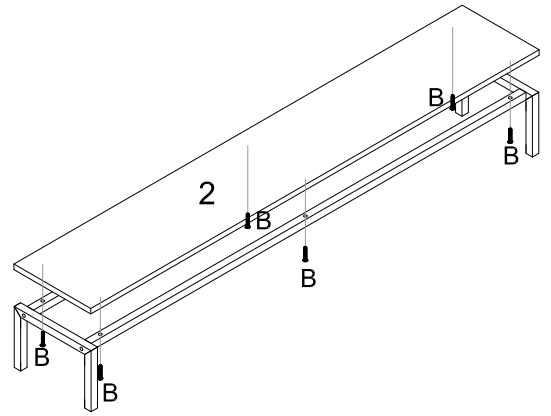
Start assembling furniture


STEP 1



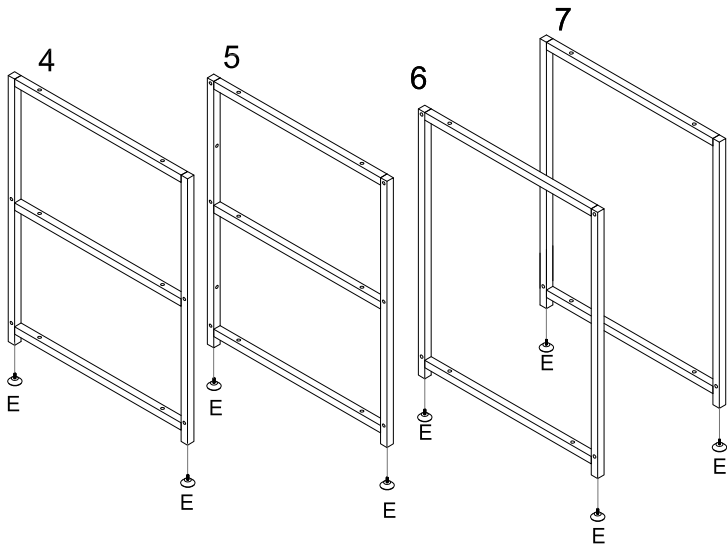
 A x 4 Pcs

STEP 2



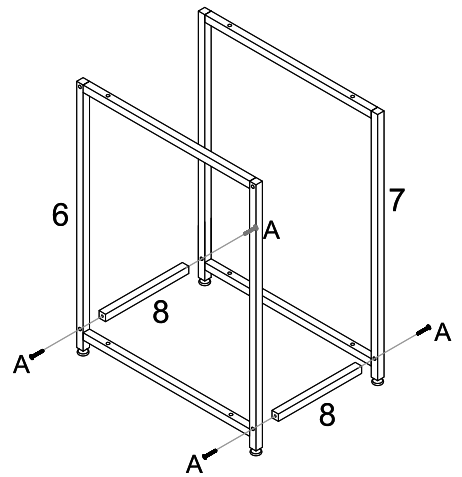
 B x 6 Pcs

STEP 3



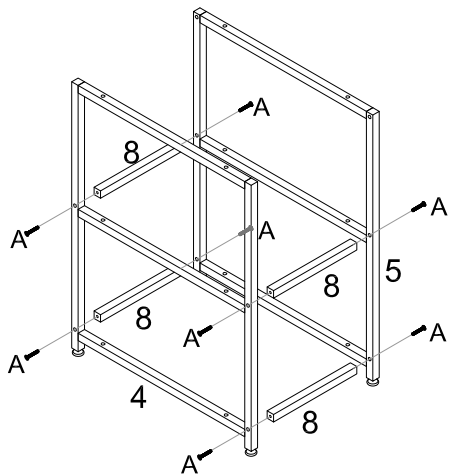
 E x 8 Pcs

STEP 4



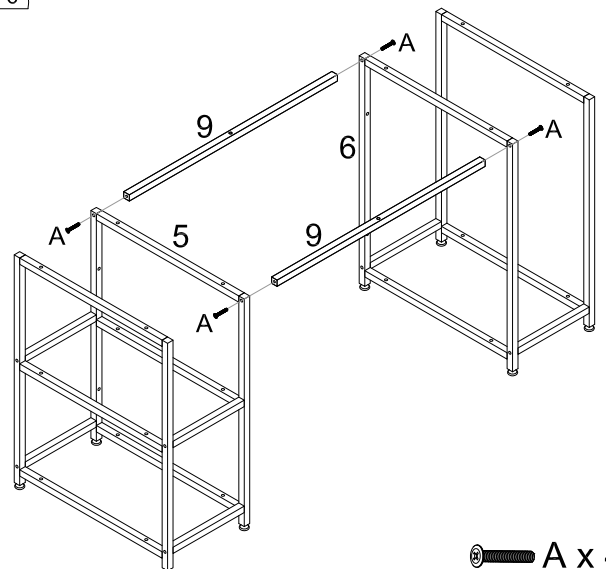
 A x 4 Pcs

STEP 5



 A x 8 Pcs

STEP 6

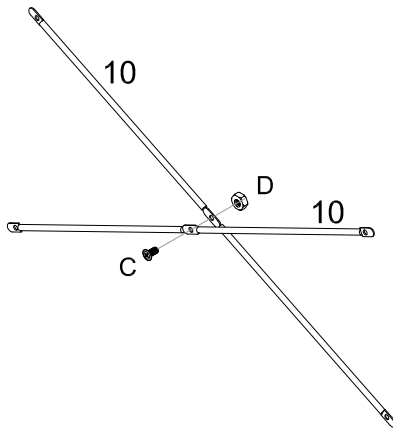




 A x 4 Pcs

# ASSEMBLY INSTRUCTION

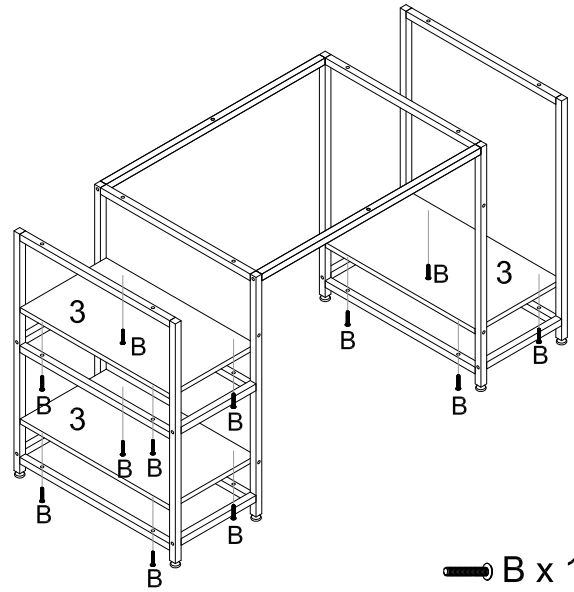
Start assembling furniture


STEP 7



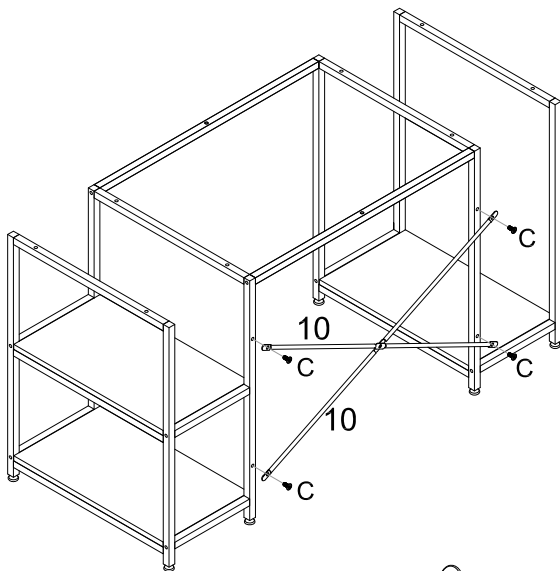
 C x 1 Pc  
 D x 1 Pc


STEP 8



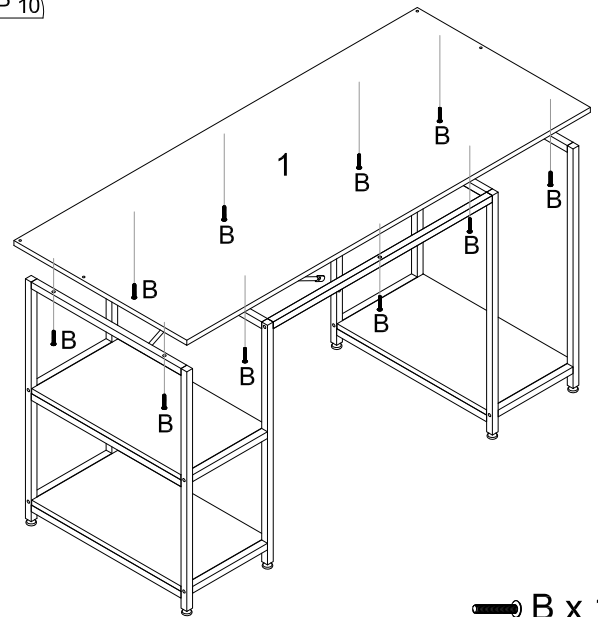
 B x 12 Pcs


STEP 9



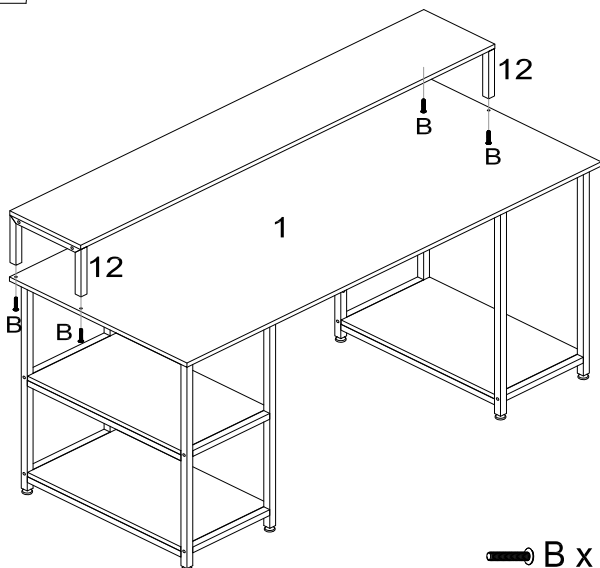
 C x 4 Pcs


STEP 10

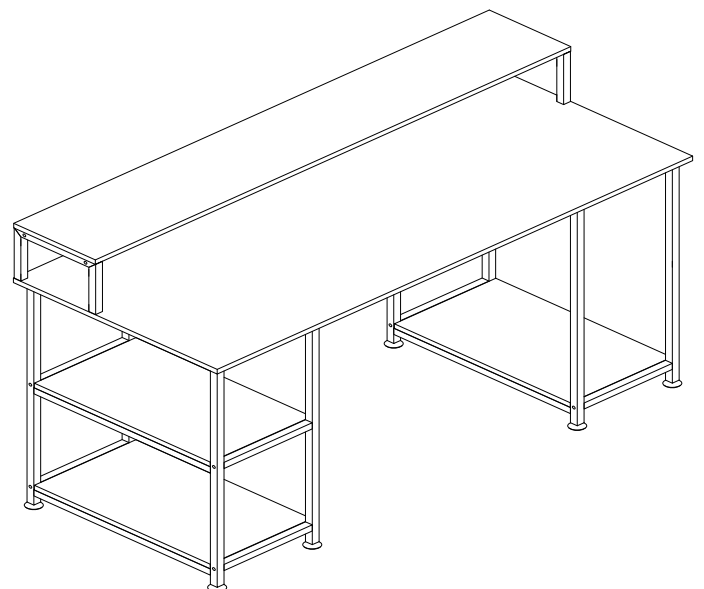


 B x 10 Pcs

STEP 11



 B x 4 Pcs



US



001-877-644-9366  
customerservice@aosom.com

CA



001-855-537-6088  
customerservice@aosom.ca

UK



0044-800-240-4004  
enquiries@mhstar.co.uk

DE



0049-(0)40-88307530  
service@aosom.de

FR



0033-1-84166106  
contact@aosom.fr

ES



0034-931294512  
atencioncliente@aosom.es

IT



0039-0249471447  
clienti@aosom.it