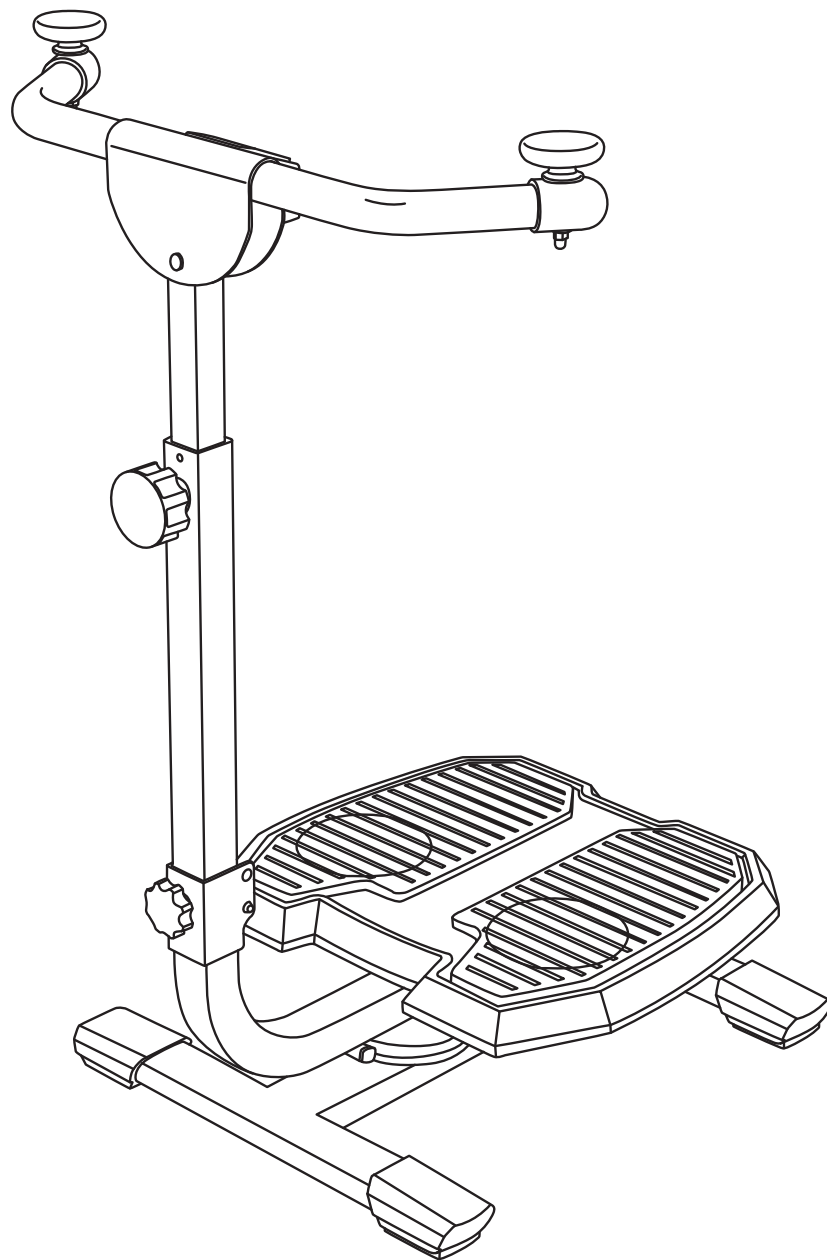


Soozier

IN220800631V01_US

A91-250V00

Ab Twister





IMPORTANT, RETAIN FOR FUTURE REFERENCE: READ CAREFULLY

USER'S MANUAL

Dear customer,

Thank you for purchasing this product. So that your appliance serves you well, please read all the instructions in this user's manual. If you have any questions, please contact our customer care center.

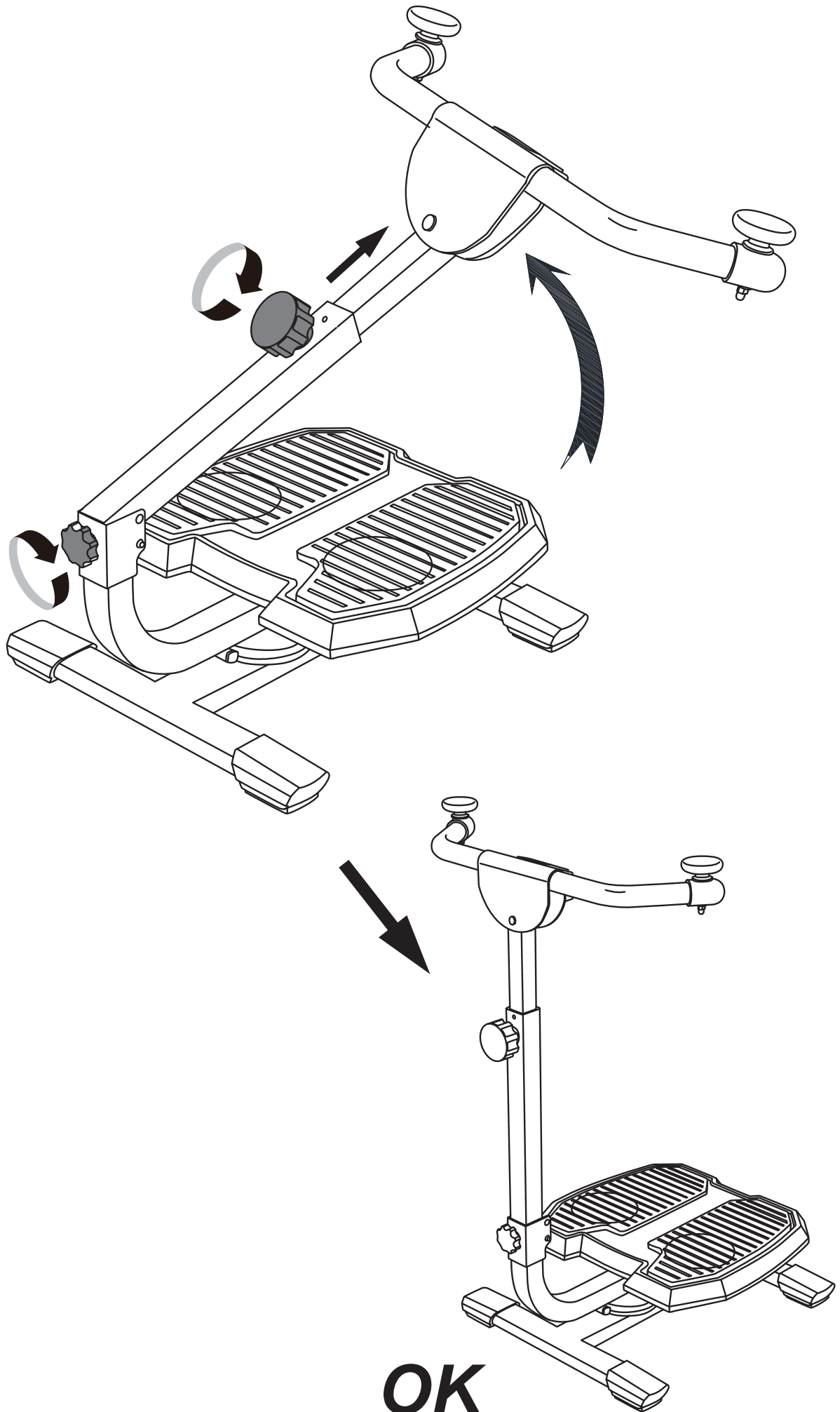
EN_Our contact details are below:

Country	 Phone	 Email
US	001-877-644-9366	customerservice@aosom.com

Important Safety Information

Please keep this manual in a safe place for reference.

1. It is important to read this entire manual before assembling and using the equipment. Safe and efficient use can only be achieved if the equipment is assembled, maintained and used properly. It is your responsibility to ensure that all users of the equipment are informed of all warnings and precautions.
2. Before starting any exercise program you should consult your doctor to determine if you have any physical or health conditions that could create a risk to your health and safety, or prevent you from using the equipment properly. Your doctor's advice is essential if you are taking medication that affects your heart rate, blood pressure or cholesterol level.
3. Be aware of your body's signals. Incorrect or excessive exercise can damage your health. Stop exercising if you experience any of the following symptoms: Pain, tightness in your chest, irregular heartbeat, extreme shortness of breath, feeling light headed, dizzy or nauseous. If you do experience any of these conditions you should consult your doctor before continuing with your exercise program.
4. Keep children and pets away from the equipment. The equipment is designed for adult use only.
5. Use the equipment on a solid, flat level surface with a protective cover for your floor or carpet. For safety, the equipment should have at least 0.5 meter of free space all around it.
6. Before using the equipment, check the nuts and bolts are securely tightened.
7. The safety level of the equipment can only be maintained if it is regularly examined for damage and/or wear and tear.
8. Always use the equipment as indicated. If you find any defective components whilst assembling or checking the equipment, or if you hear any unusual noise coming from the equipment during use, stop. Do not use the equipment until the problem has been rectified.
9. Wear suitable clothing whilst using the equipment. Avoid wearing loose clothing which may get caught in the equipment or that may restrict or prevent movement.
10. The equipment is suitable for domestic, home use only. Maximum weight of user: 150kg.
11. The equipment is not suitable for therapeutic use.
12. Care must be taken when lifting or moving the equipment so as not to injure your back. Always use proper lifting techniques and/or use assistance.



OK

Before exercise, it is better Warm muscles stretch more easily, so the first of 5 ~ 10 minutes to warm up. Then in accordance with the following methods to stop and do stretching exercises - do five times, each leg every time 10 seconds or more time to do it again after the end of the exercise.

1. Down Stretch

Bend your knees slightly and body slowly, let your back and shoulders relax, and try to touch your toes. Keep it for 10~15 seconds, repeat 3 times.

2. Hamstring Stretch

Sitting on a clean cushion, then bend your left foot. Place your left foot against the inner thigh of your right foot. Try to touch your toes. Keep it for 10~15 seconds, repeat each foot 3 times.

3. Calf and Foot Stretching

Stand and place both hands on a wall or a tree, one foot behind. Keep the behind foot stand and it is heel on the floor, then tilt to the wall or tree. Keep it for 10~15 seconds, repeat each foot 3 times.

4. Quadriceps Stretch

Place your right hands against a wall or a desk to aid your balance. Then grasp your ankle with your left hand and pull your foot toward your buttocks. Keep it for 10~15 seconds, repeat each foot 3 times.

5. Groin Stretch

Sit with your knees flexed and soles of feet together. Hold your ankles and bend at your hips. Keep it for 10~15 seconds, repeat 3 times.

