



**WARNING:**  
IMPROPER INSTALLATION OR  
SWINGING ON THE RING MAY  
CAUSE SERIOUS INJURY OR  
DEATH

**- Notice to assemblers:**

- All basketball stands, including those for display, must be assembled according to instructions. Failure to follow instructions could result in serious injury.
- Please read all warnings and cautions before assembly. It is recommended to supervise children as they play with this product. Assemble this product with at least two adults.

IMPORTANT, RETAIN FOR FUTURE REFERENCE: READ CAREFULLY

# ASSEMBLY INSTRUCTION

# SAFETY INSTRUCTIONS

**For safety, do not assemble without following instructions. Check all packaging before assembling, ensuring parts are not missing or damaged.**

- \* This product should be moved by at least three adults. Not to be moved by children.
- \* Check the base (if applicable) regularly for leakages. Slow leaks can cause the product to tip over.
- \* Stand in front of the product and pull the pole forward, so it is balanced on its wheels.
- \* Move the product to the desired location and carefully set the base down.

## WARNING

---

1. Do not hang on the rim or any parts of the product, including backboard, support braces or net.
2. Never play on damaged equipment. If there are any damages to parts, please contact customer service.
3. Do not leave the product in an upright position without filling base with water or sand, as it may tip over and cause injury or damage.
4. Do not let water freeze in the base during extremely cold weather. Pour out the water and fill with sand.
5. Always keep top pole and lifter pole covered with a cap.
6. When playing, do not wear jewellery, as it could get damaged.
7. When adjusting height or moving the stand, keep hands a way from moving parts.
8. Do not let children move or adjust the stand.

If you have any questions, please contact our customer care center.

Our contact details are below:



0044-800-240-4004



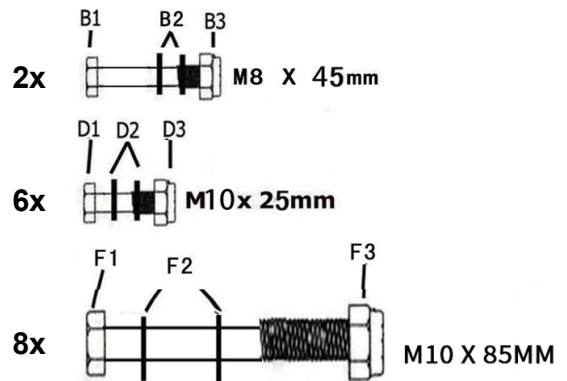
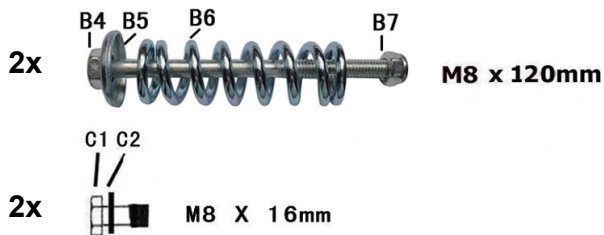
[enquiries@mhstar.co.uk](mailto:enquiries@mhstar.co.uk)

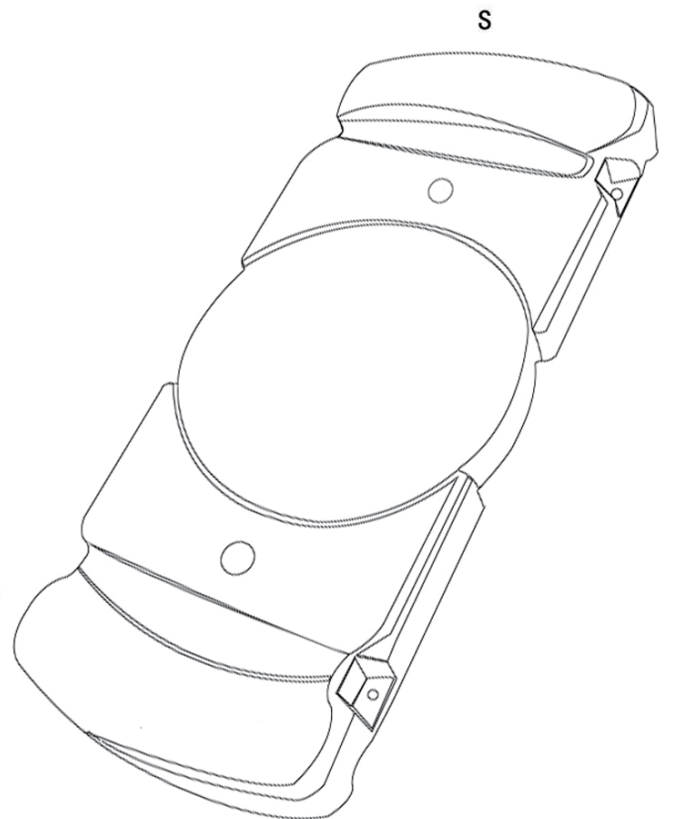
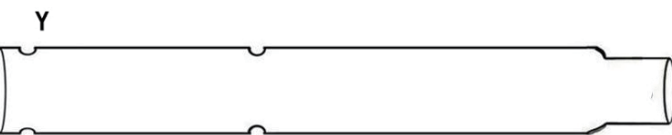
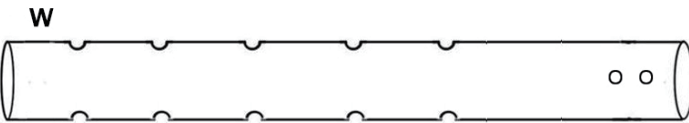
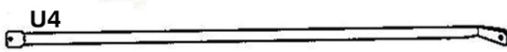
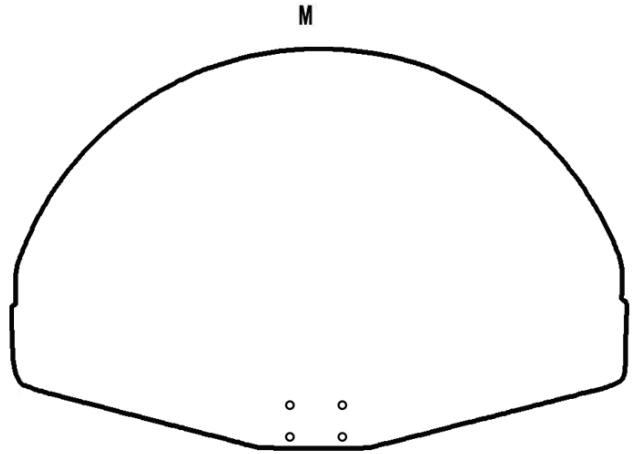
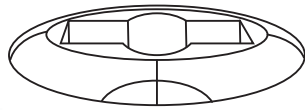
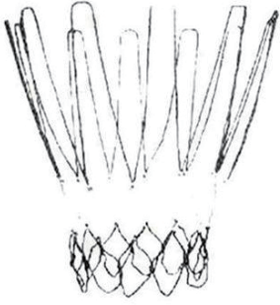
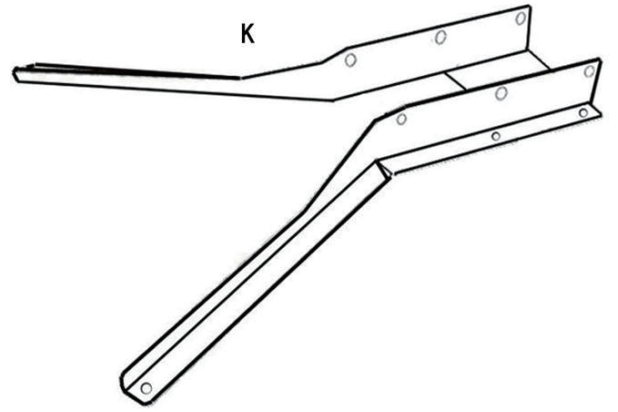
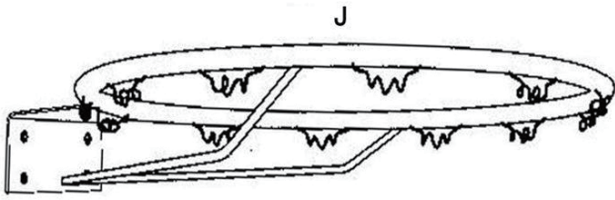
IMPORTER ADDRESS:

MH STAR UK LTD  
Unit 27, Perivale Park,  
Horsenden lane South  
Perivale, UB6 7RH  
MADE IN CHINA

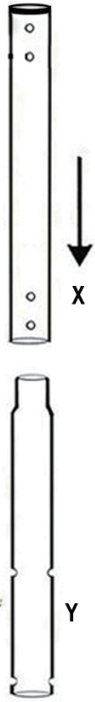
# PART LIST

NO.	DESCRIPTION	QTY.	NOTE
B1、 B2、 B3	M8 X 45 MM	2	Connect Backboard,Rim&Bracket.
B4、 B5、 B6、 B7	M8 X 120 MM	2	Connect Backboard,Rim&Bracket
C1、 C2	M8 X 16 MM	2	Connect Backboard&Bracket
D1、 D2、 D3	M10 X 25 MM	6	Connect Base&Support brace
F1、 F2、 F3	M10 X 85 MM	8	Connect Bottom Pole&Support brace Connect Top Pole&Bracket Connect Top Pole&Bottom Pole Connect Bottom Pole&Middle Pole
G	Wheel	2	
H	Cap	1	
I	Water cap	1	
J	Rim	1	
K	Bracket	1	
L	Basket Net	1	
M	Backboard	1	
U1	Support brace (right)	1	
U2	Support brace (left)	1	
U3	Support brace (lower left)	1	
U4	Support brace (lower right)	1	
O	Steel Cap	1	
W	Top Pole	1	
X	Bottom Pole	1	
Y	Middle Pole	1	
S	Base	1	
Z	L Connector	2	



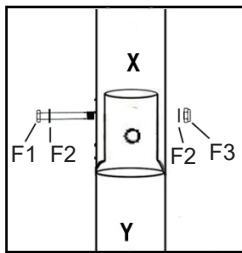
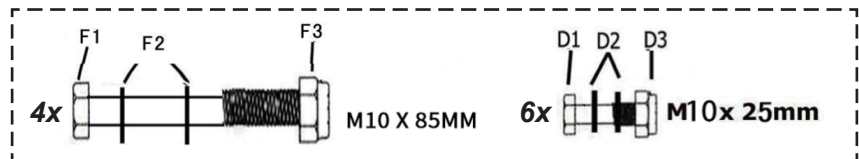
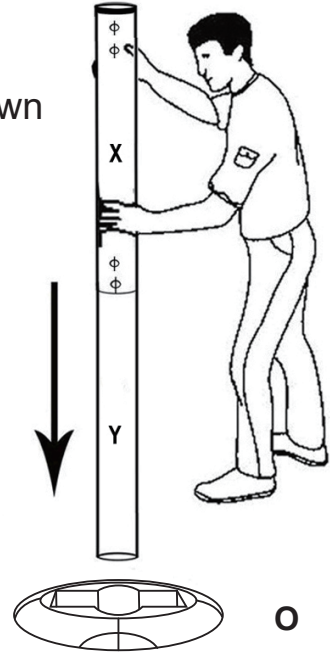




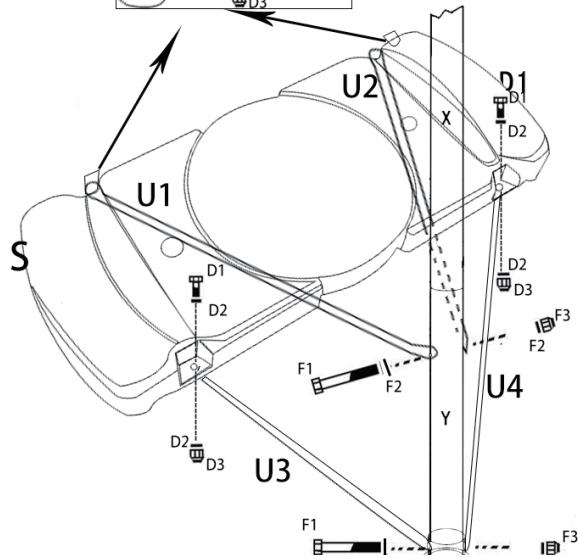
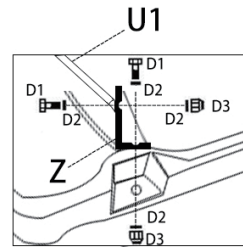
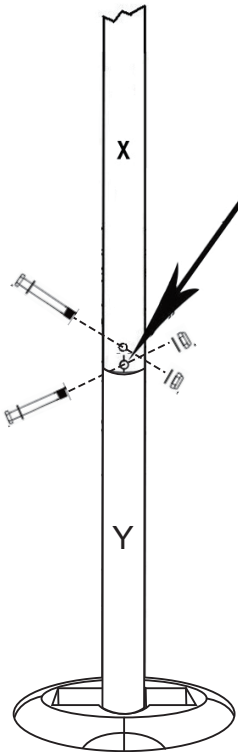


Insert pole X to Y, as shown in the picture on the left.

Insert pole X,Y to Steel Cap O, as shown in the picture on the right.

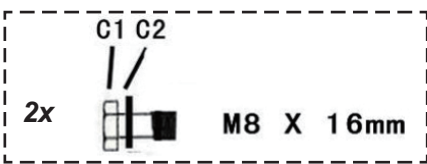
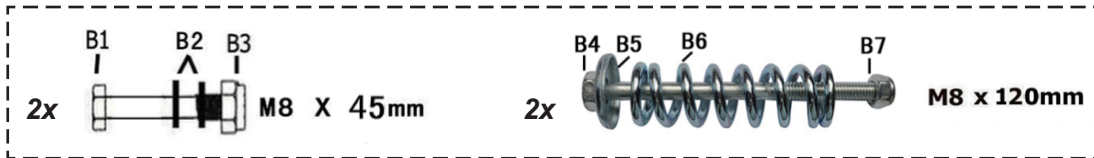
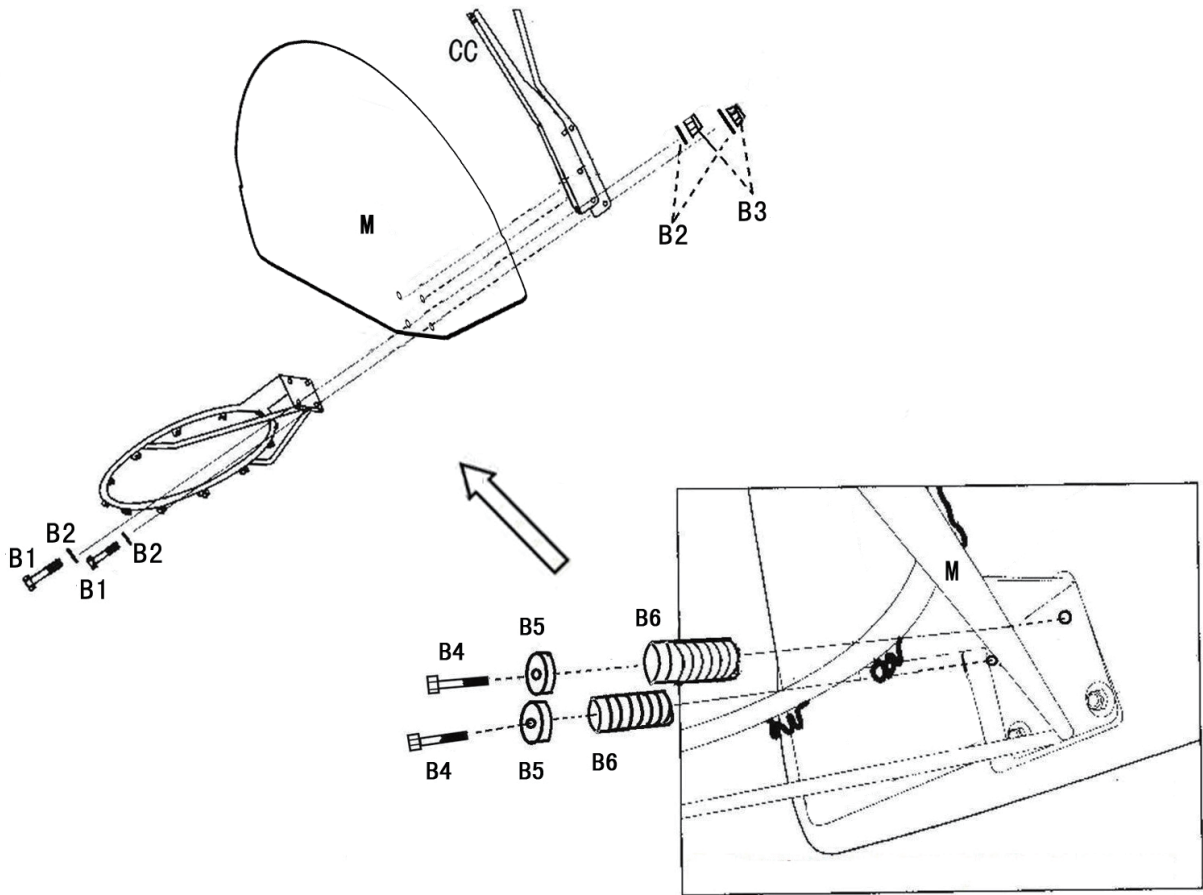


1) Connect pole X and Y, using bolt F, as shown in the left picture.

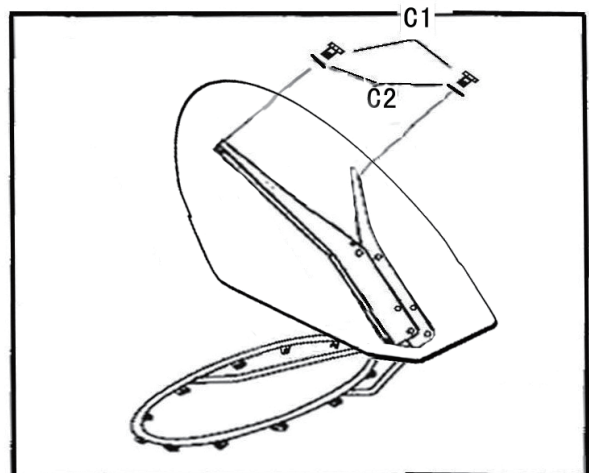
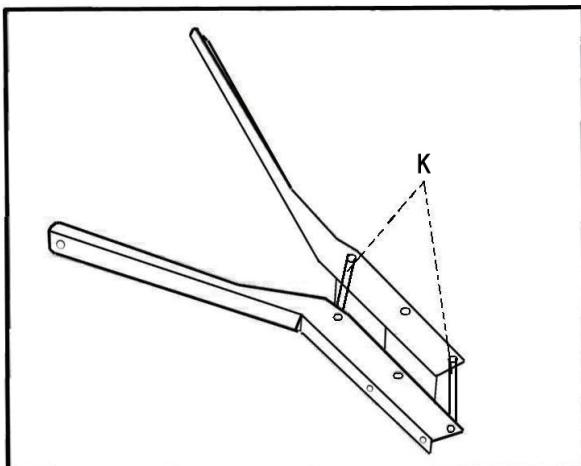


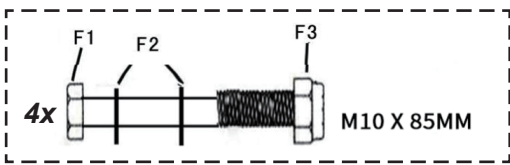
Connect braces U1, U2, U3 and U4 to the base, using bolt D. Connect braces U3 and U4 to steel cap O, and U1 and U2 to bottom pole Y, using bolt F.

Connect rim J, backboard M and bracket K, using bolts B1 and B4. Please note, the longer B4 is at the top and shorter B1 is at the bottom.

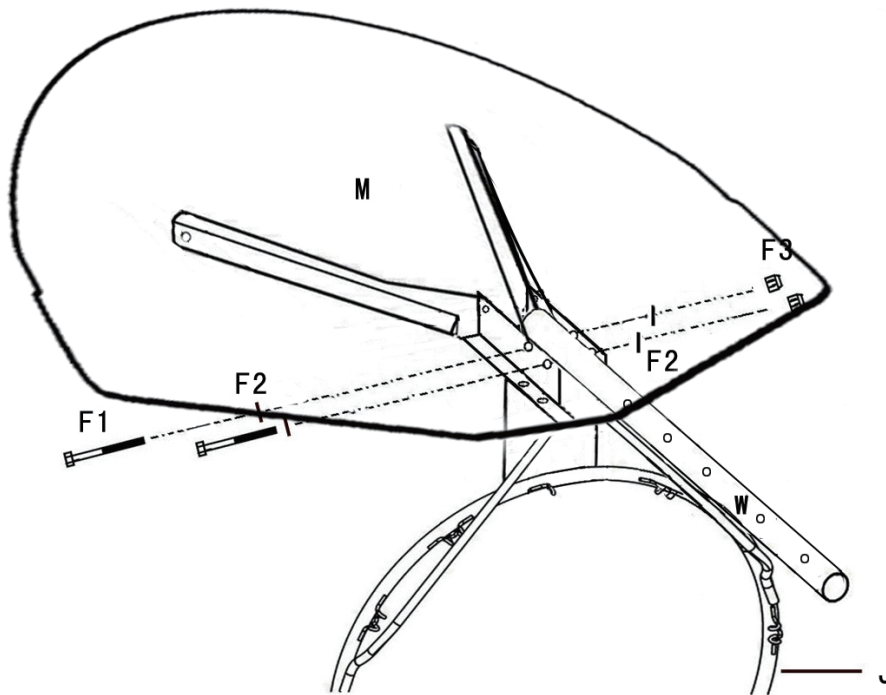


Connect bracket K to backboard M, using bolts C1 and C2.

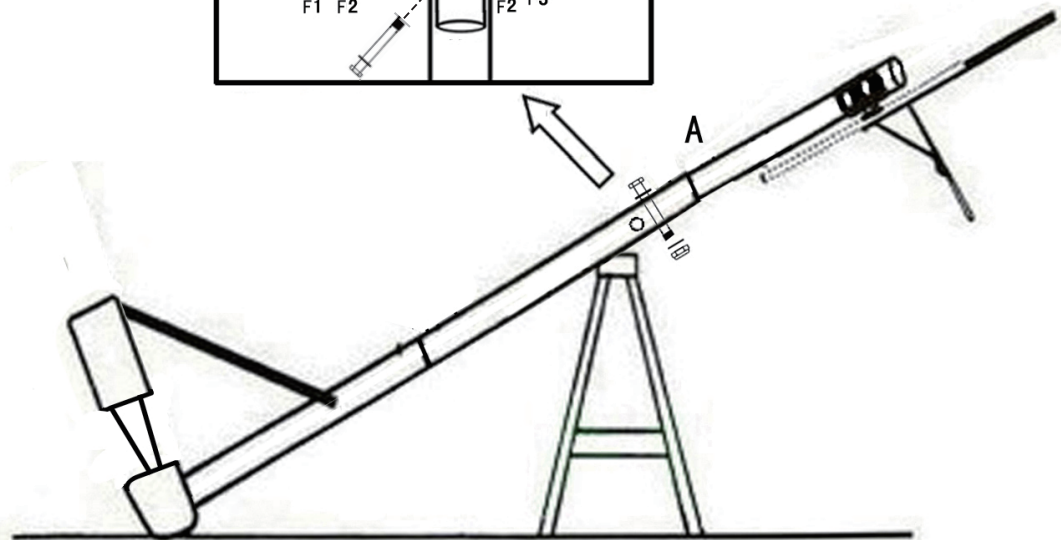
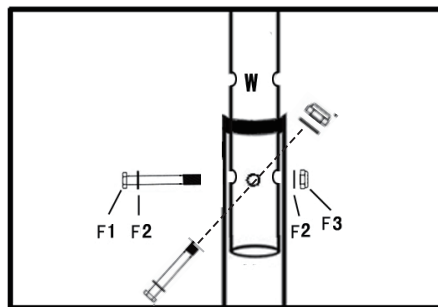




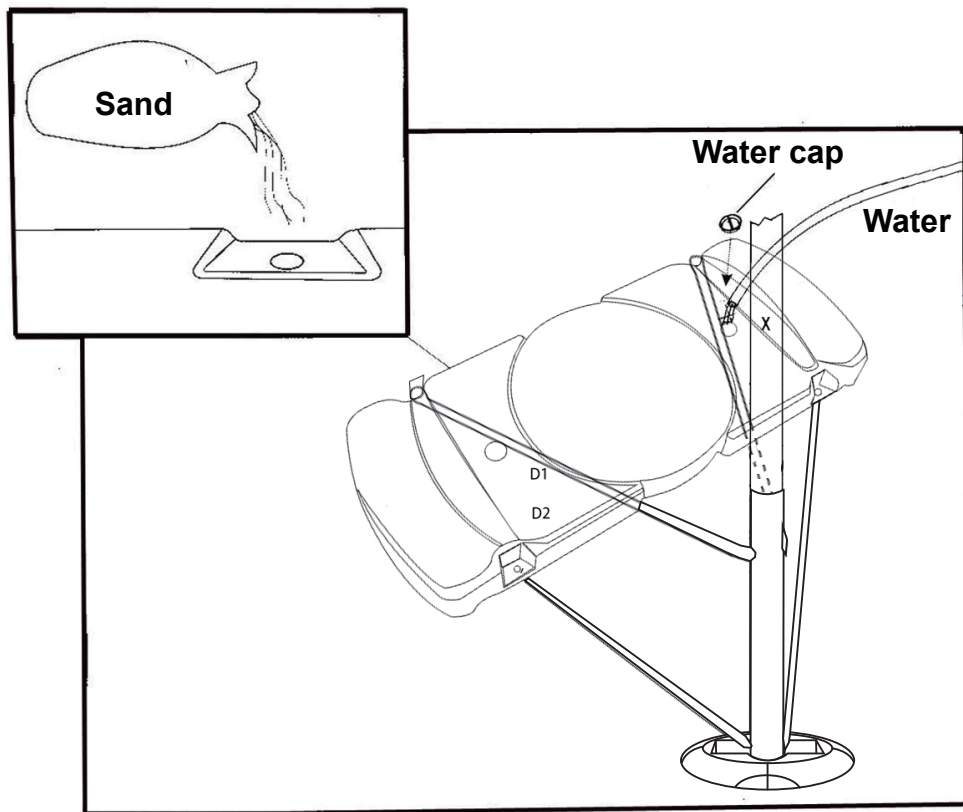
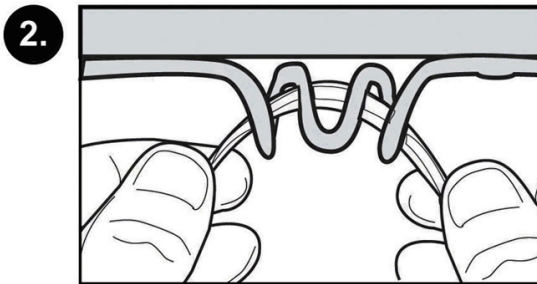
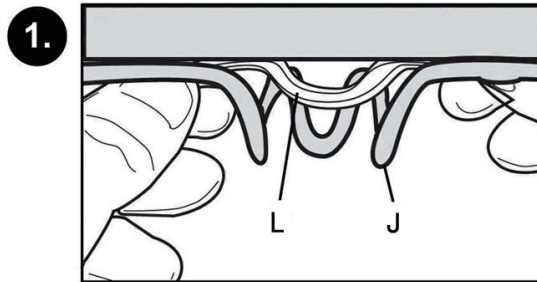
Connect backboard M and bracket K, using bolt F.



Insert top pole W into middle pole X, using bolt F.



Assemble the net, as shown in the picture on the right.



If the product does not need to be moved frequently, it is recommended to use sand in the base instead of water. Water could freeze, which damages the base. Please note, sand cannot be poured out after it is placed in the base.