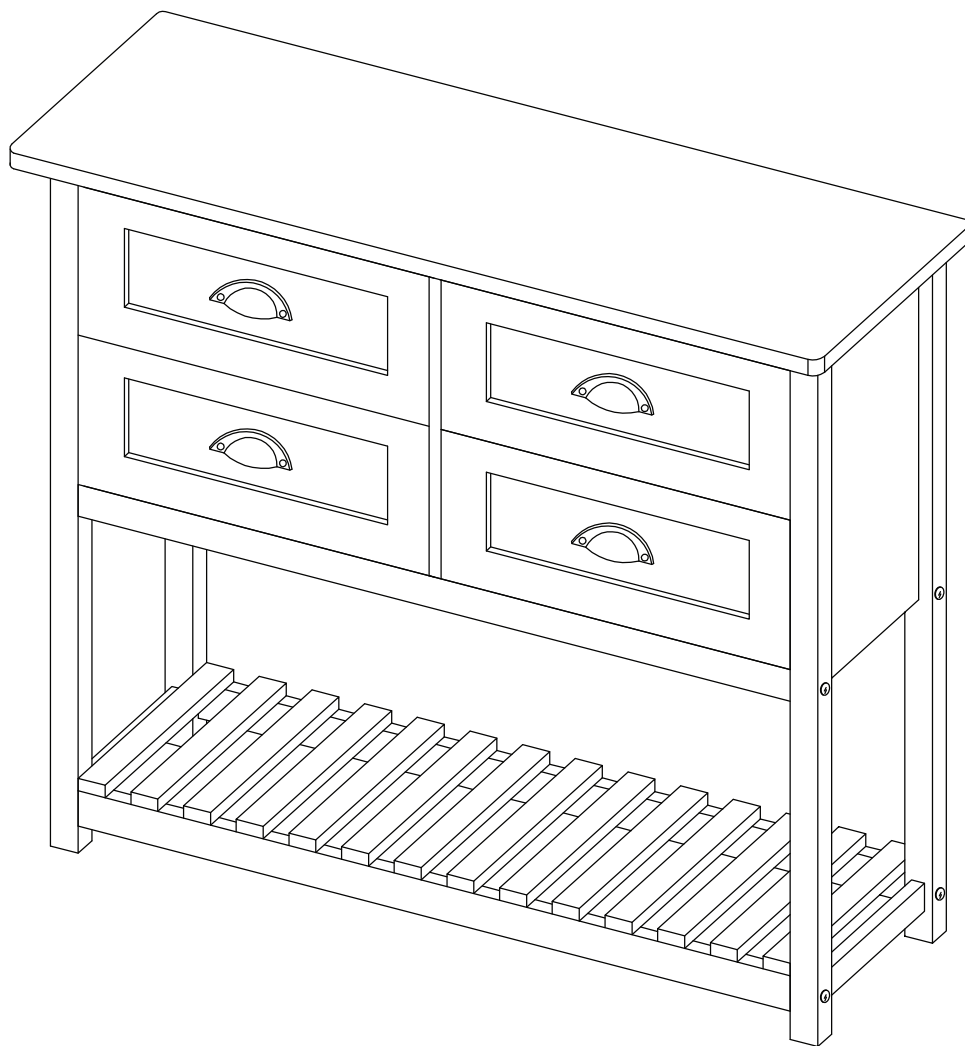




INccc092_GL

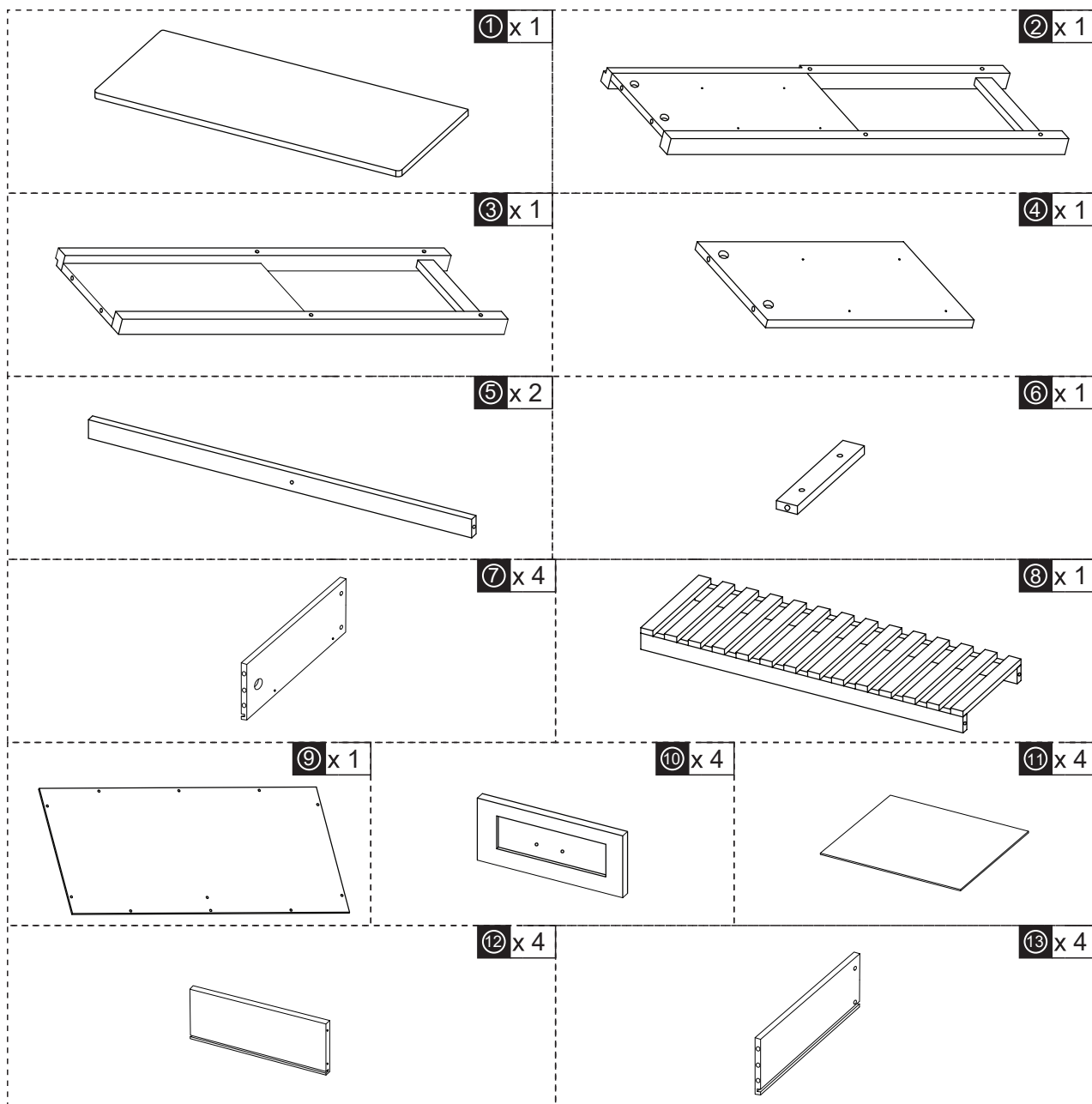
835-514



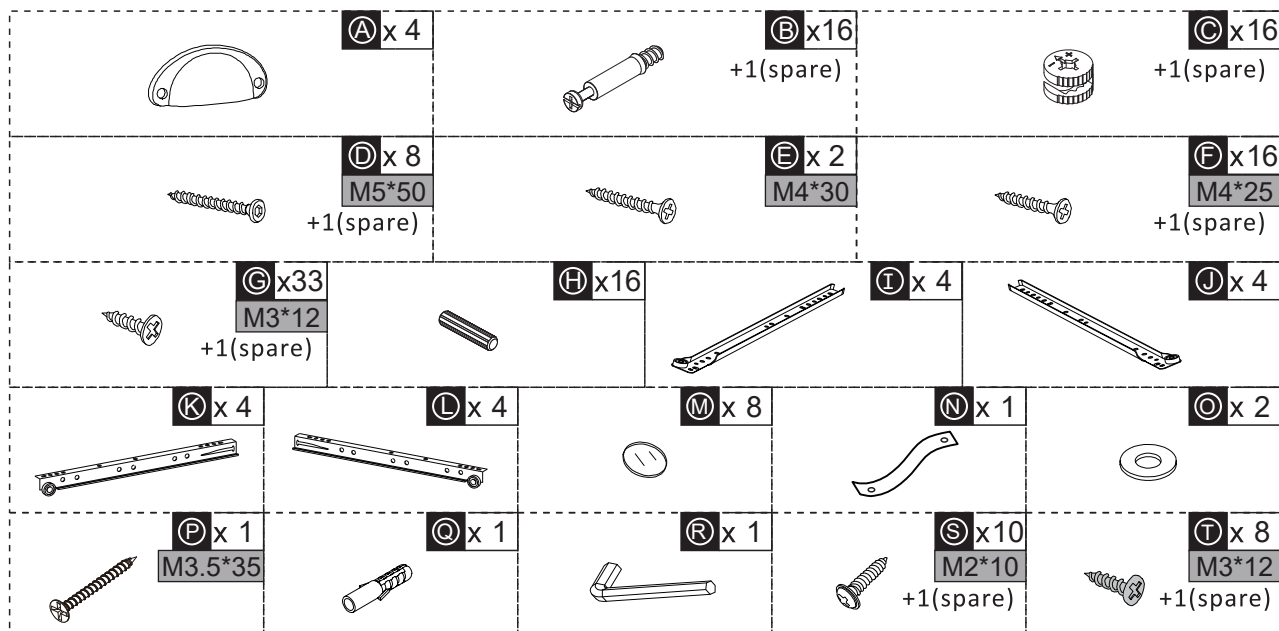
READ AND SAVE THIS INSTRUCTIONS FOR FUTURE USE

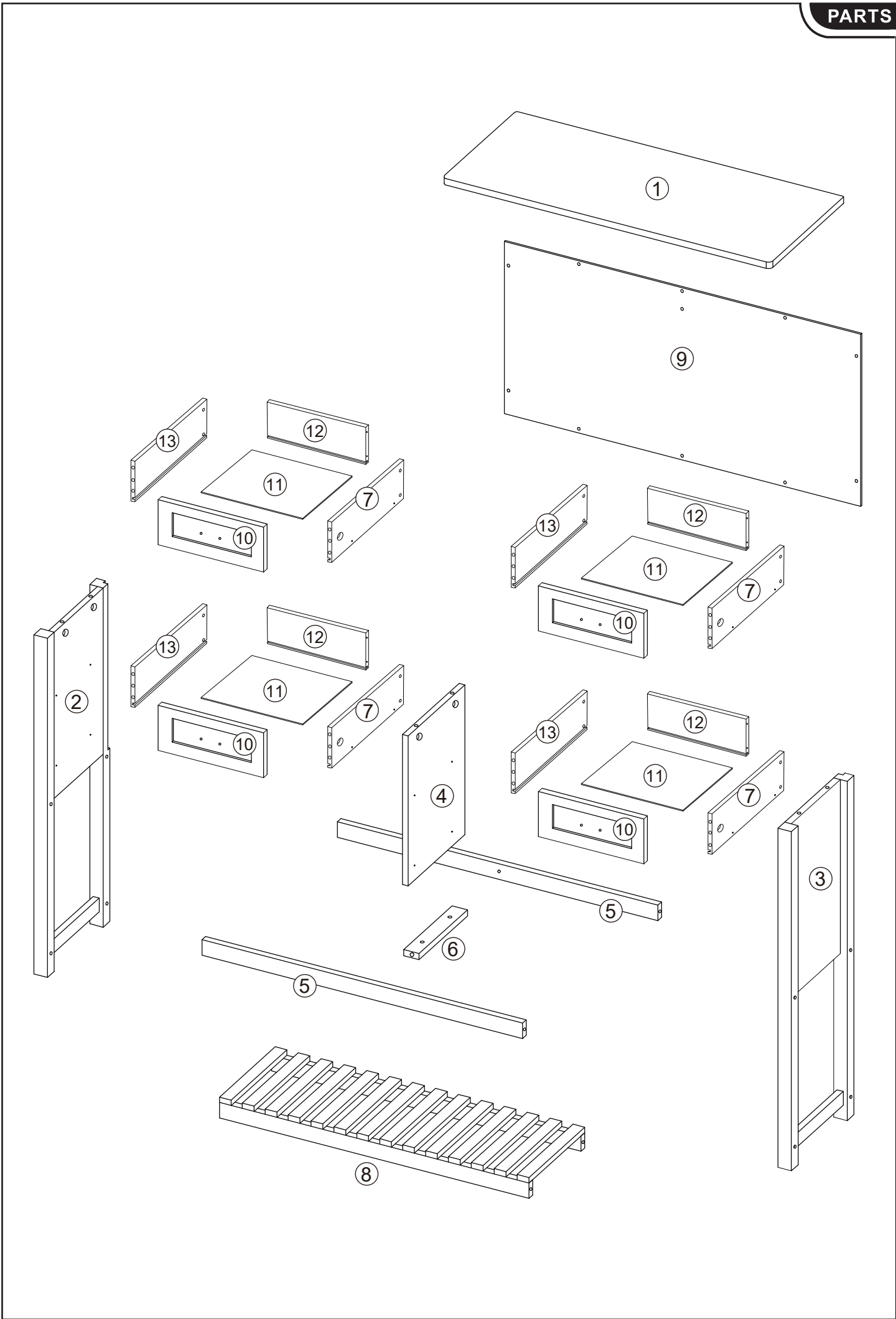
ASSEMBLY & INSTRUCTION MANUAL

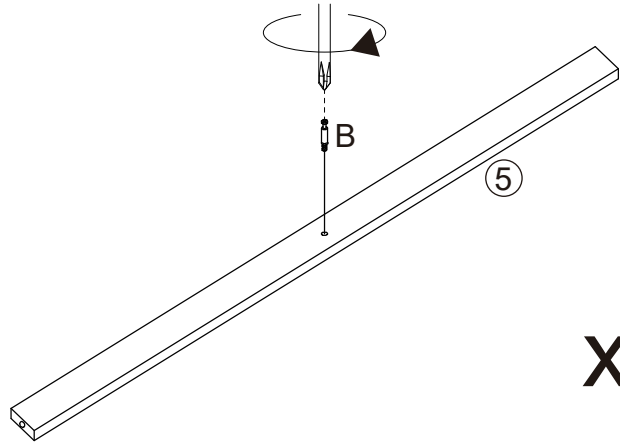
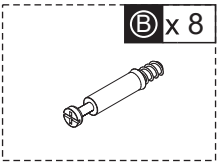
PARTS



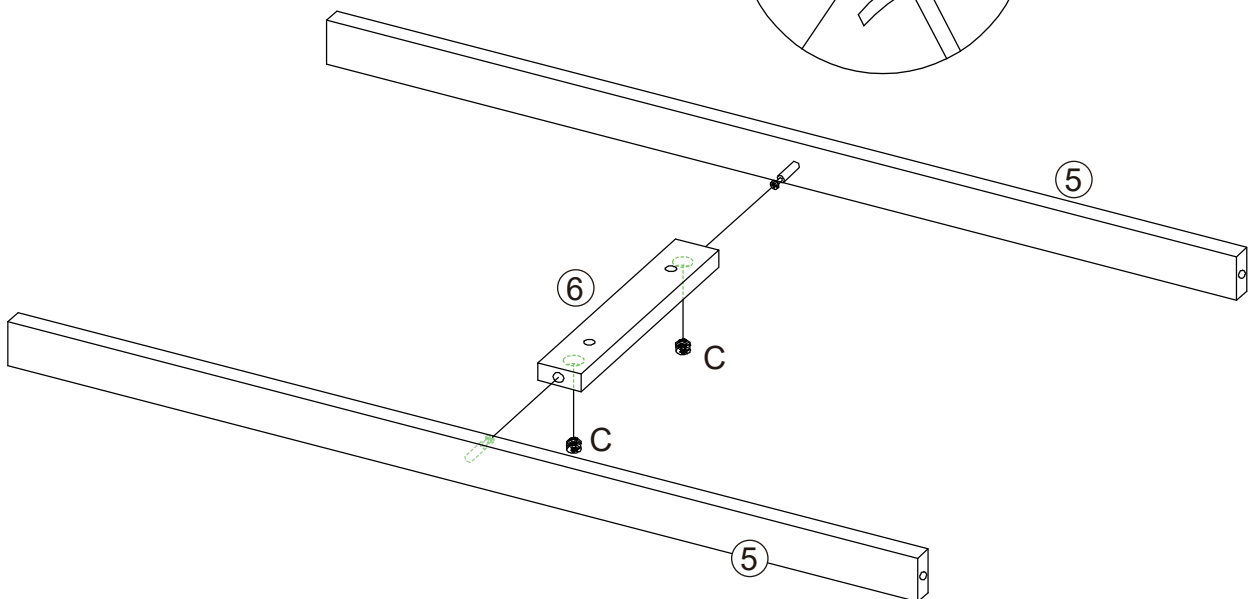
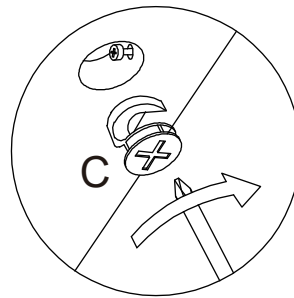
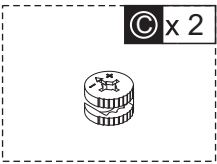
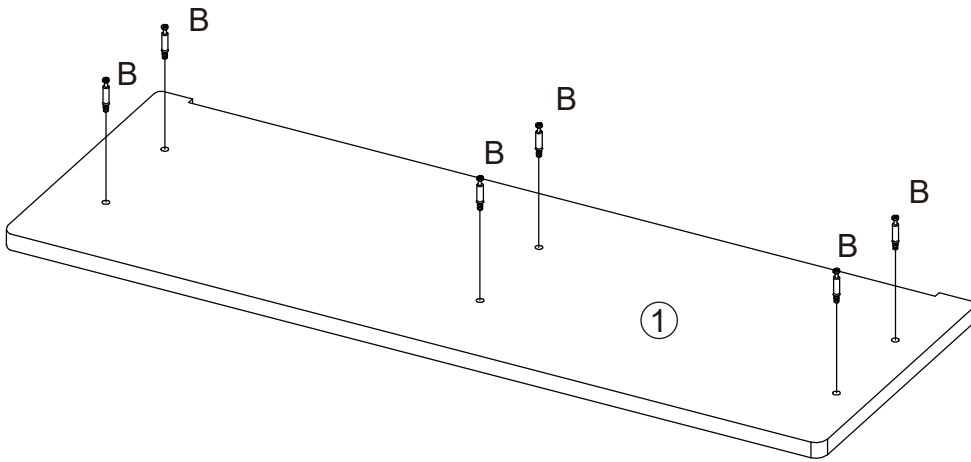
HARDWARE

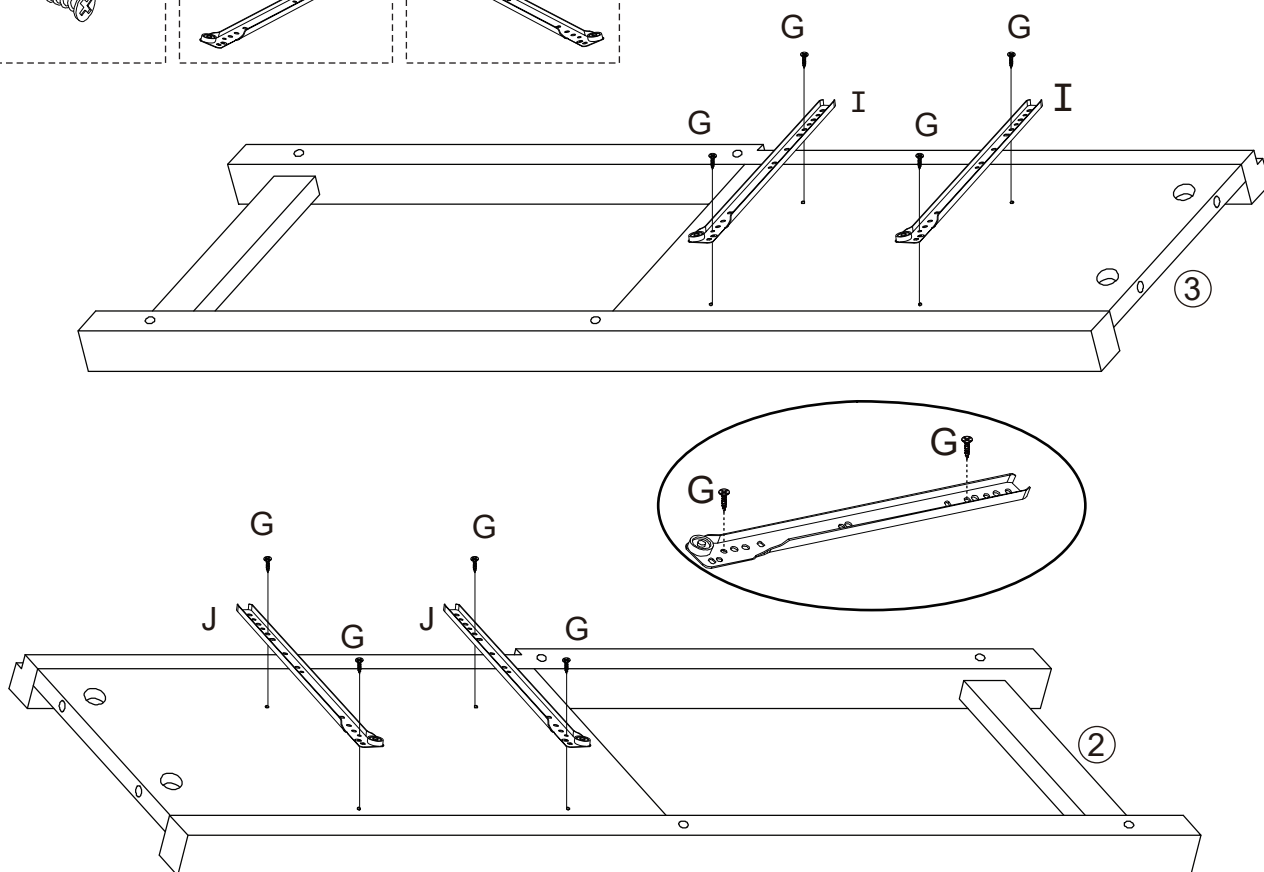
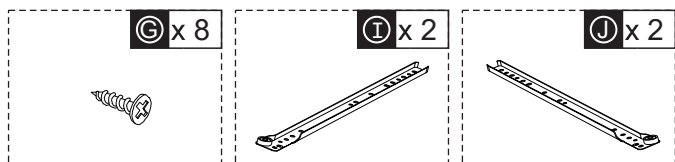
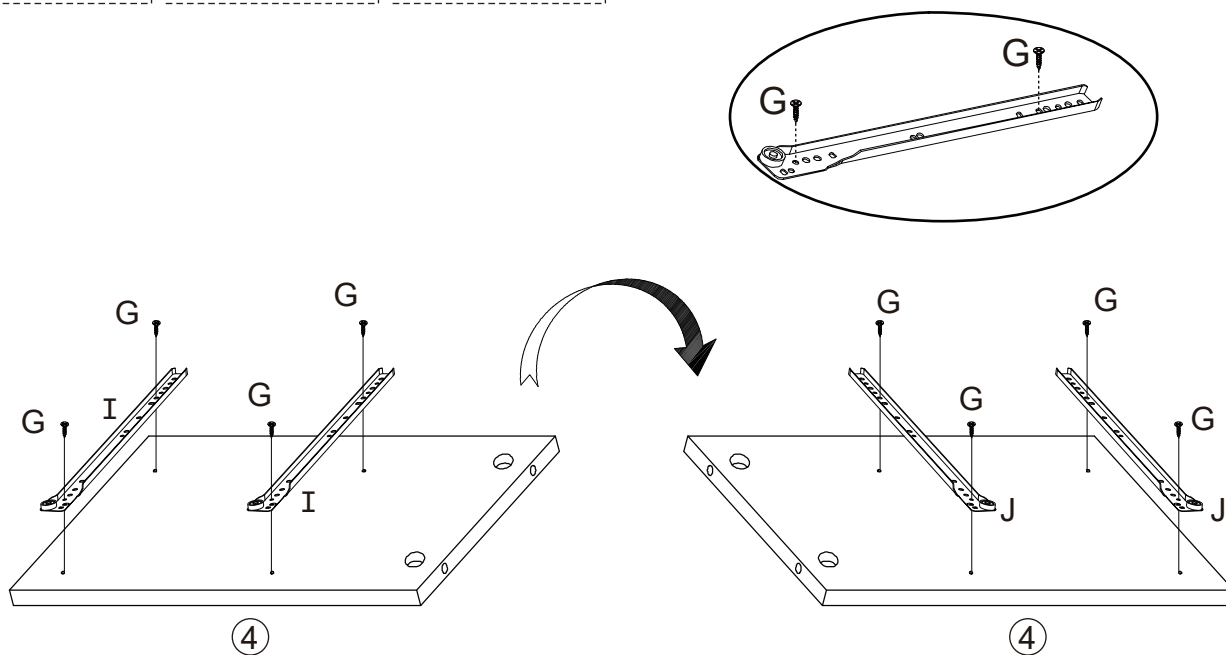
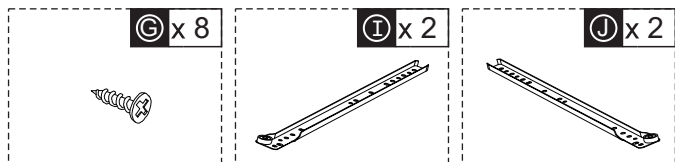




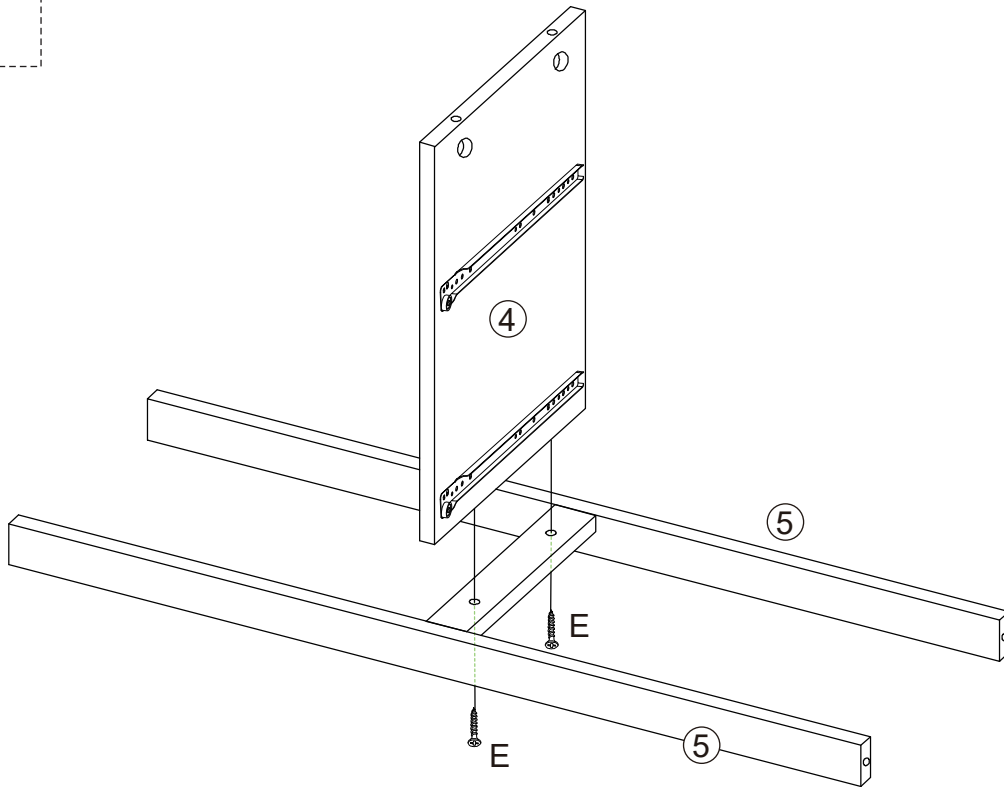


x2



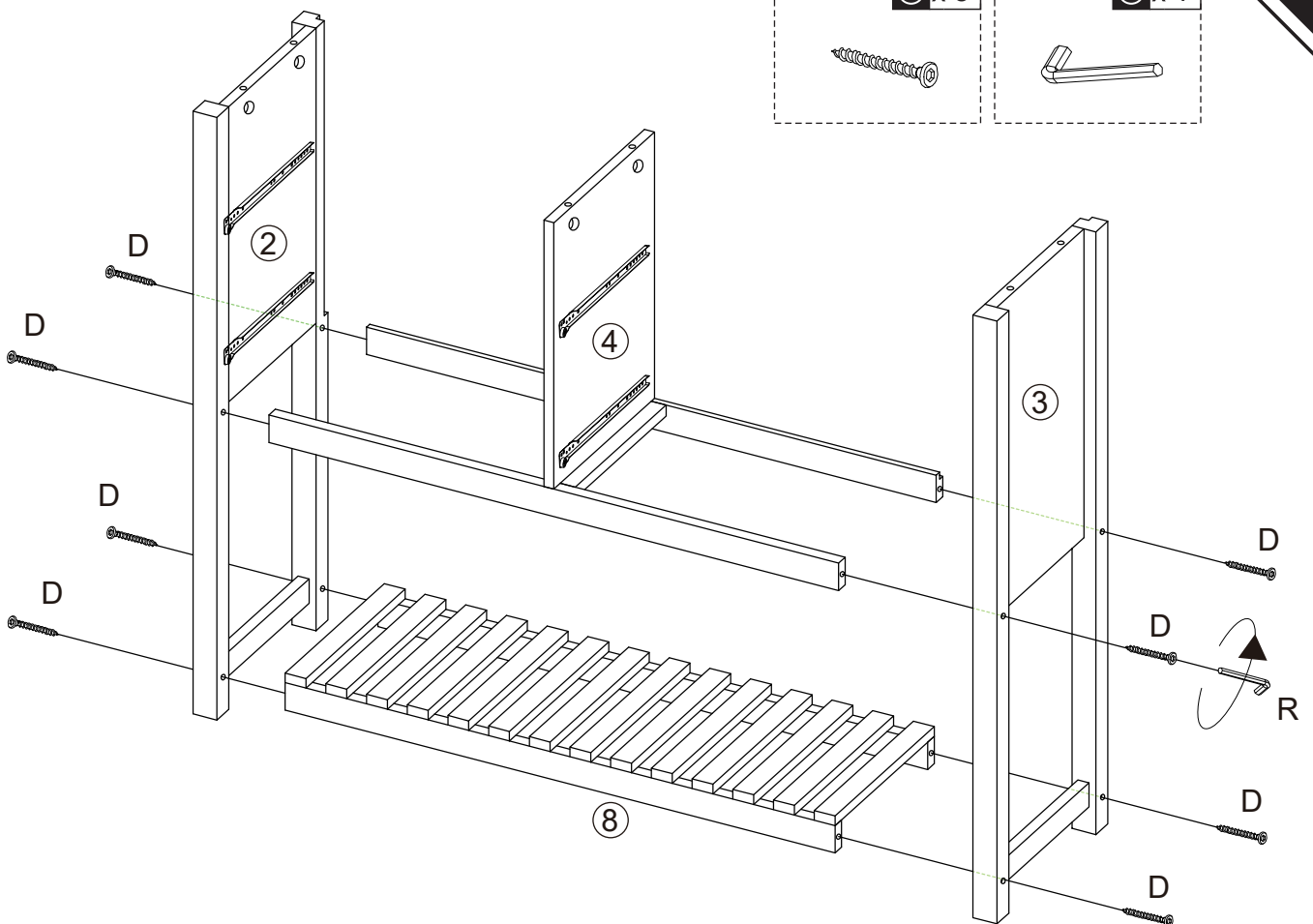


E x 2

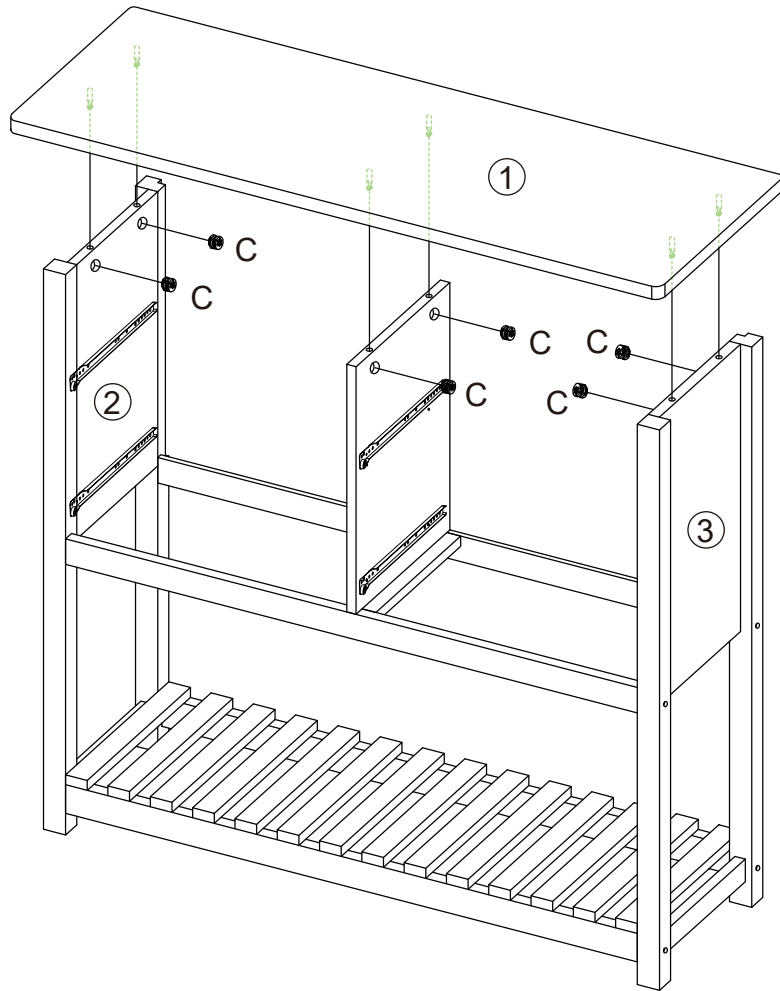


D x 8

R x 1



C x 6



G x 1



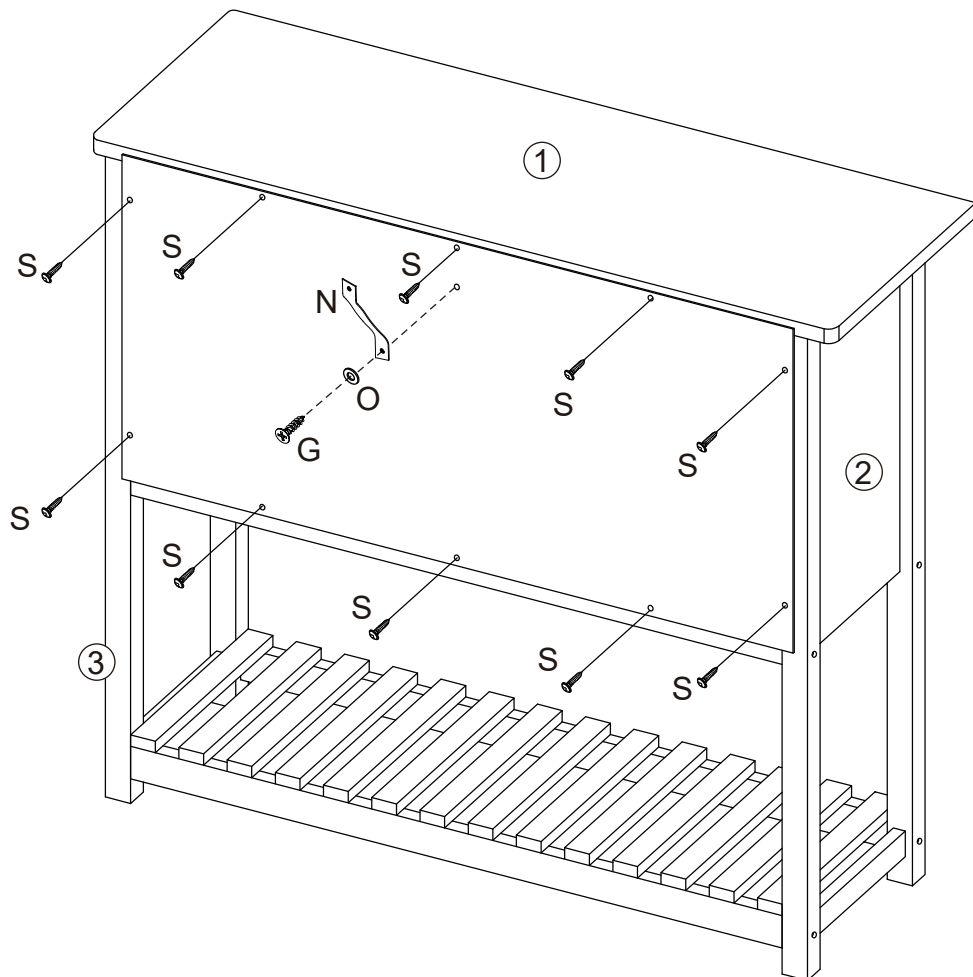
N x 1

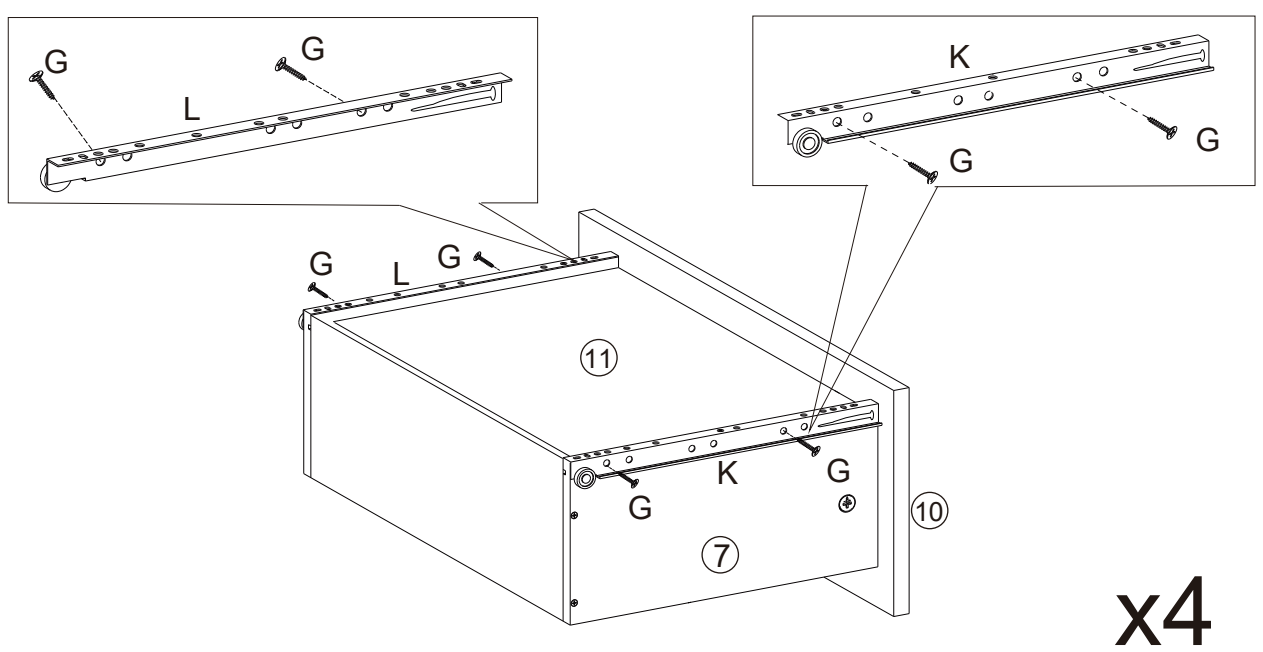
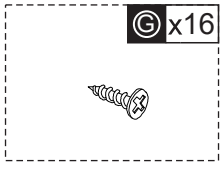
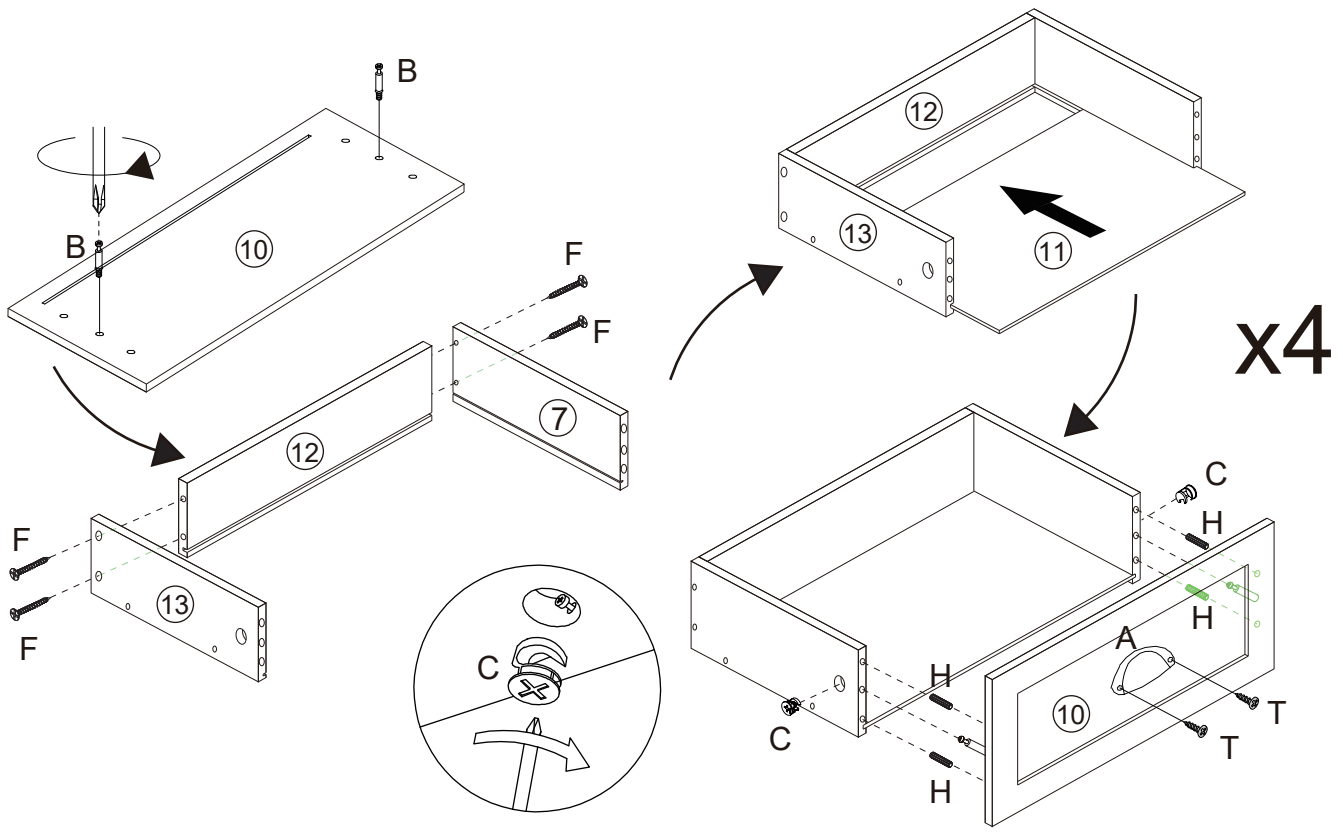
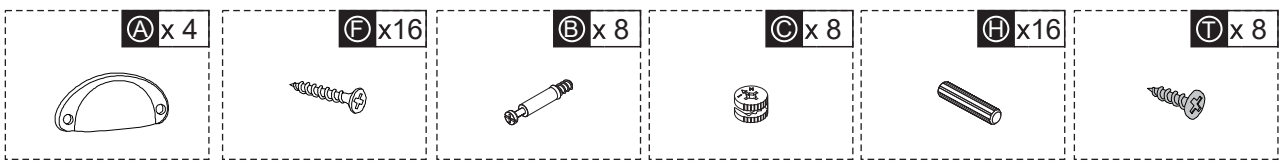


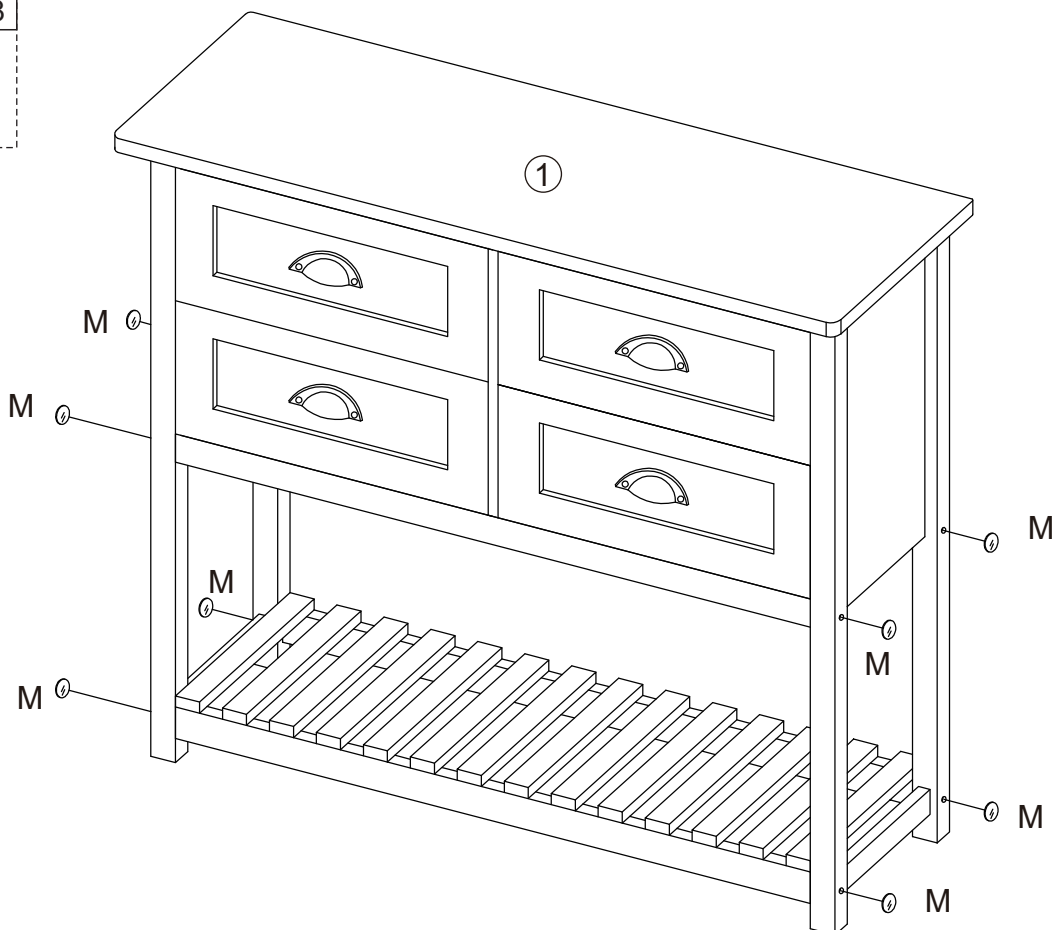
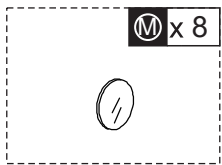
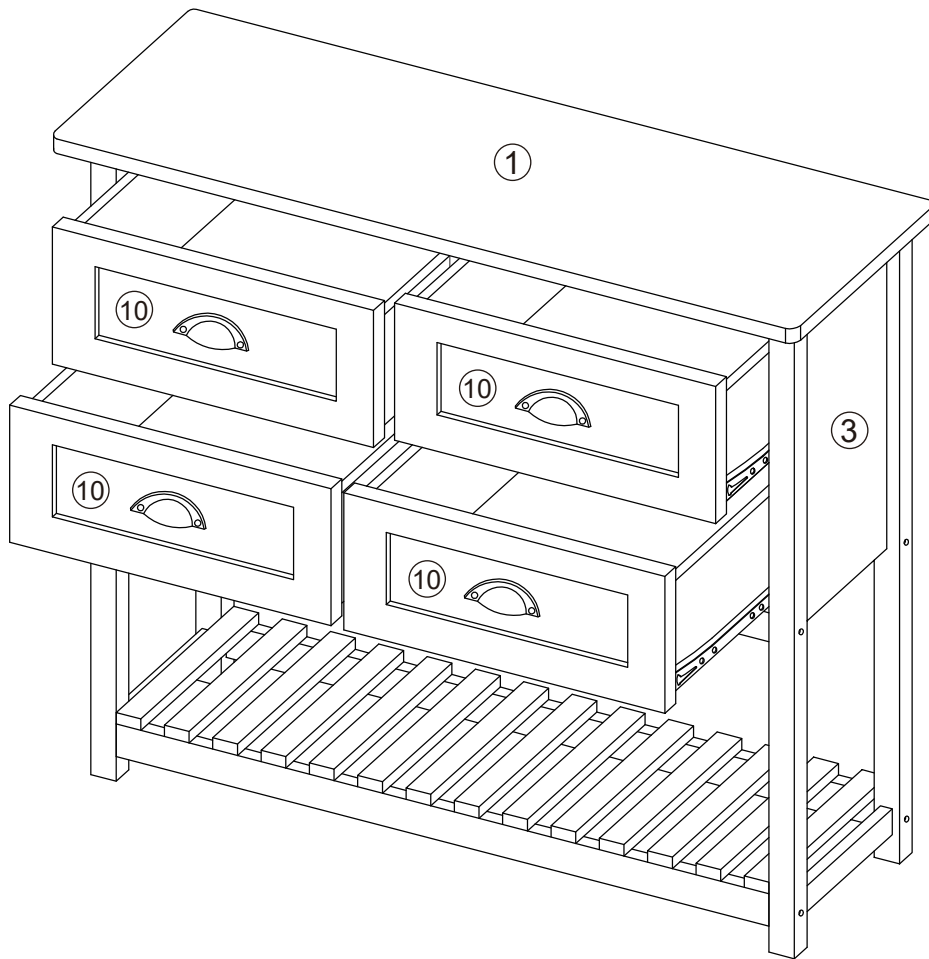
O x 1



S x 10







WALL

⊙ x 1



Ⓟ x 1



Ⓞ x 1

