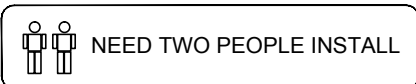
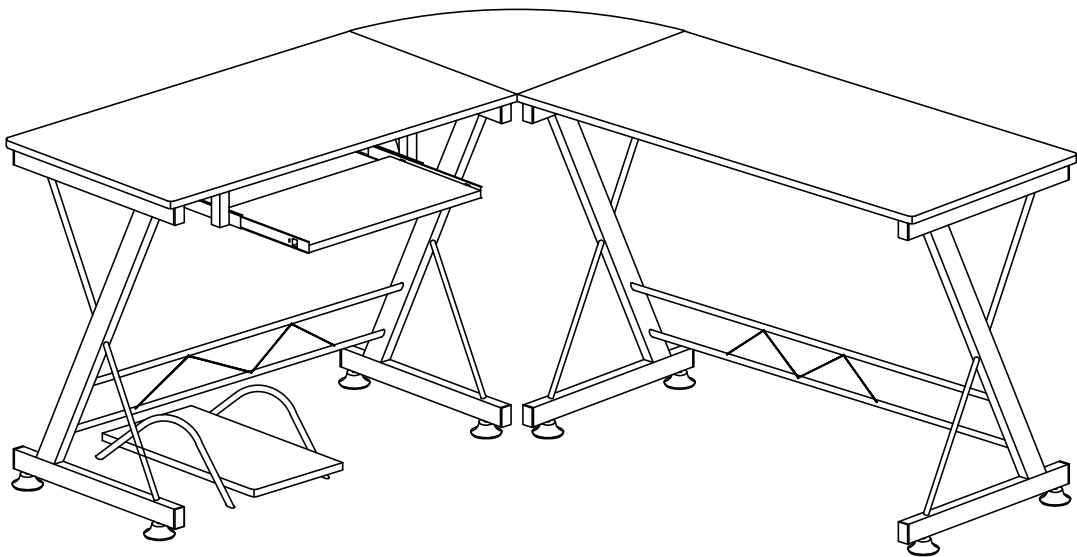
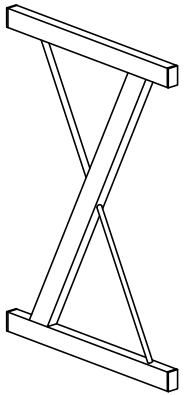
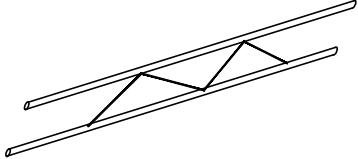
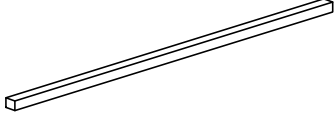
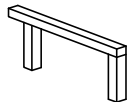

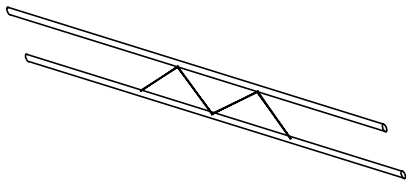

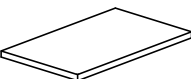
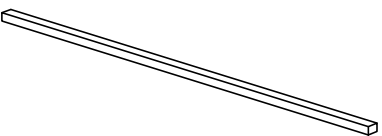

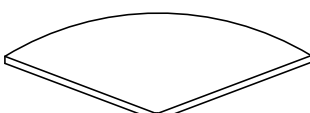
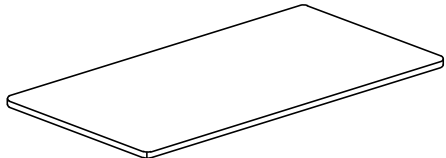
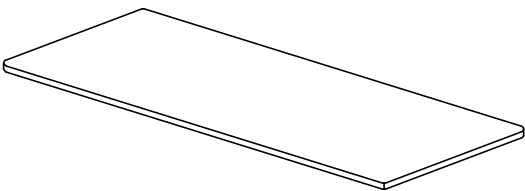
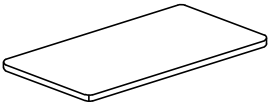
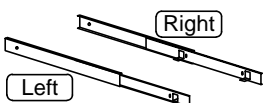
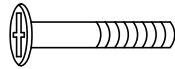
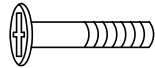
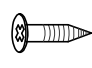



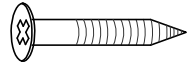



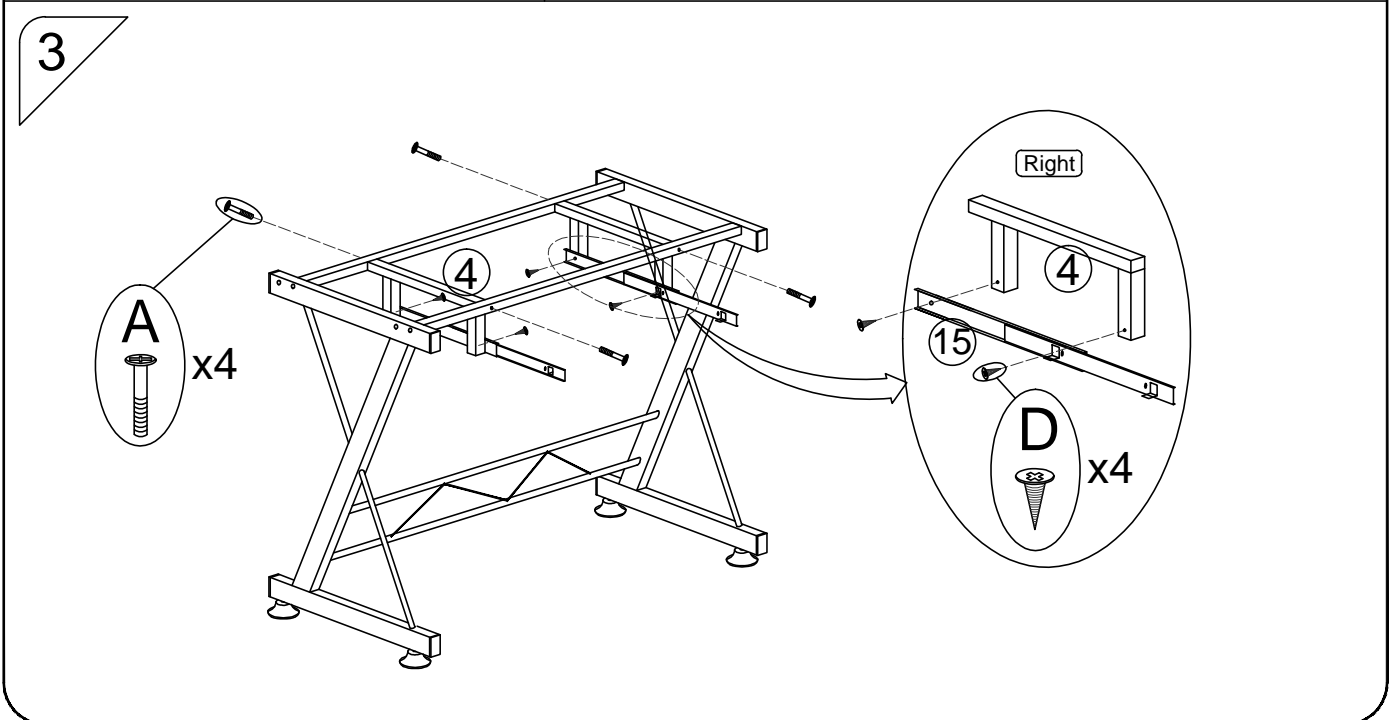
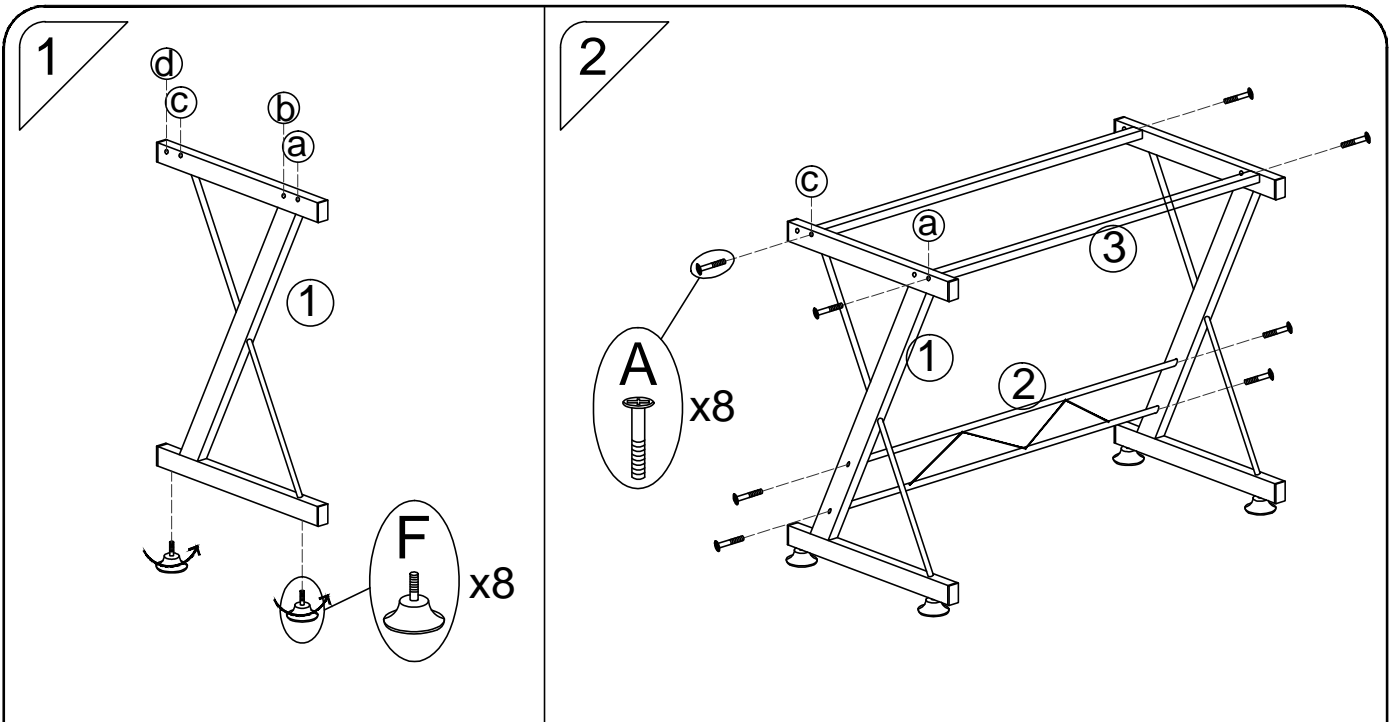
Assembly Instructions

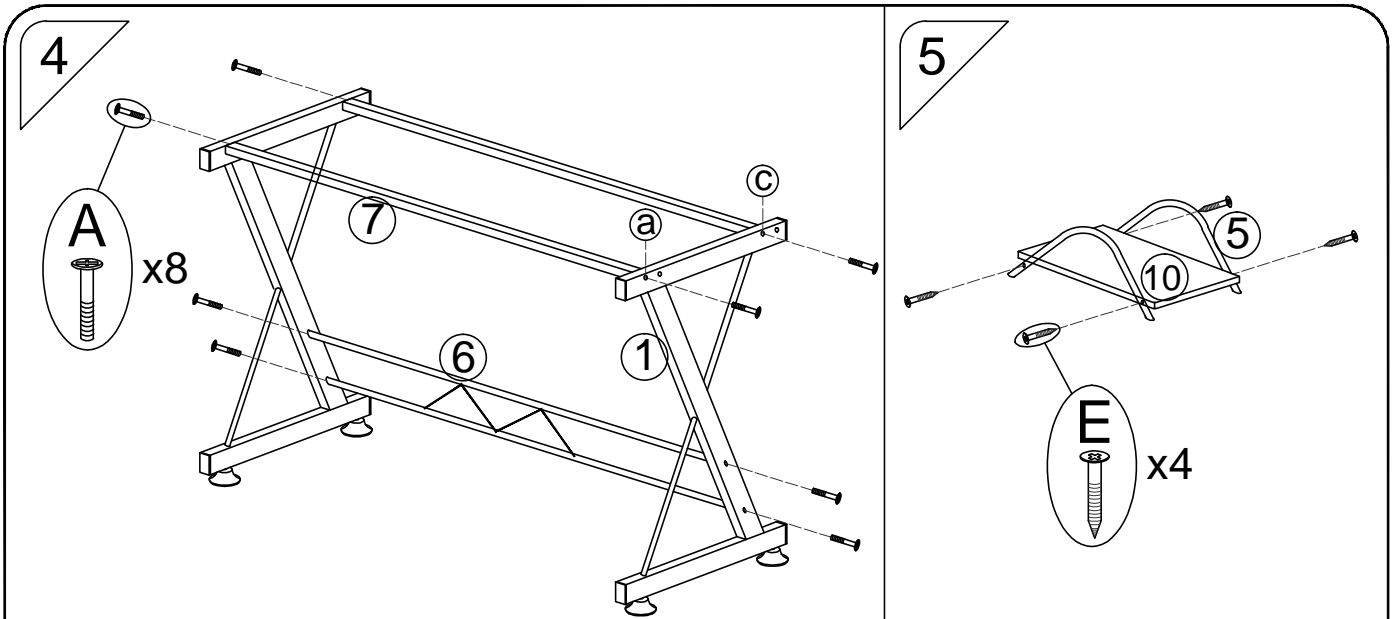


| | | |
|--|---|---|
| <p>①</p>  <p>x4</p> | <p>②</p>  <p>x1</p> <p>③</p>  <p>x2</p> | <p>④</p>  <p>x2</p> <p>⑤</p>  <p>x2</p> |
| <p>⑥</p>  <p>x1</p> | <p>⑧</p>  <p>x1</p> | <p>⑩</p>  <p>x1</p> |
| <p>⑦</p>  <p>x2</p> | <p>⑨</p>  <p>x1</p> | <p>⑪</p>  <p>x1</p> |
| <p>⑫</p>  <p>x1</p> | <p>⑬</p>  <p>x1</p> | |
| <p>⑭</p>  <p>x1</p> | <p>⑮</p>  <p>Left Right</p> <p>x1 set</p> | |

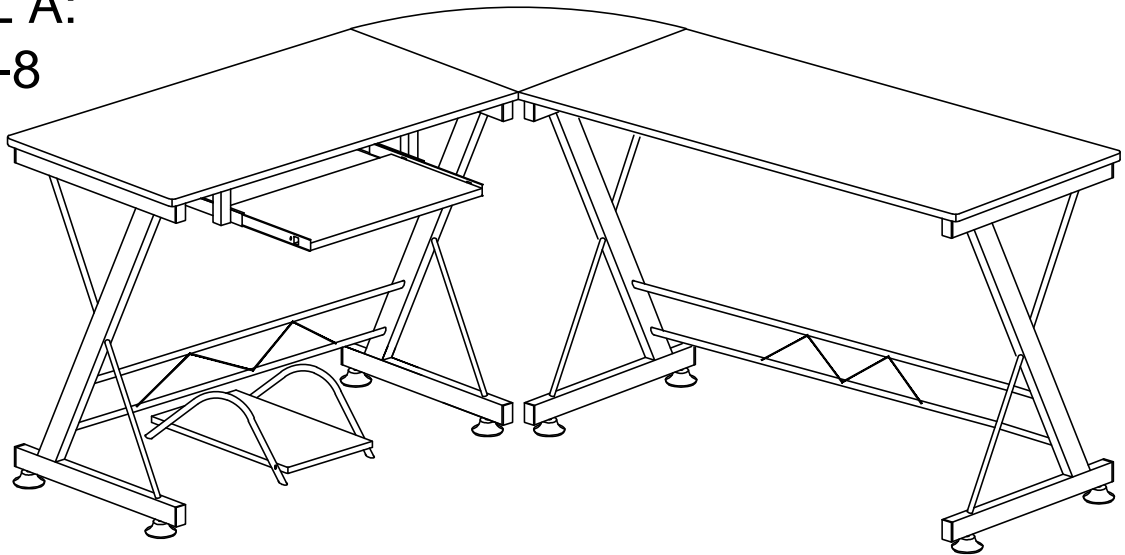
| PART | QTY | SPEC | |
|----------|-----|---------|---|
| A | 26 | 6x35 MM |  |
| B | 8 | 6x30 MM |  |
| C | 4 | 4x14 MM |  |

| PART | QTY | SPEC | |
|----------|-----|---------|---|
| D | 4 | 4x8 MM |  |
| E | 4 | 5x50 MM |  |
| F | 8 | |  |





MODEL A:
STEP6-8



MODEL B:
STEP9-11

