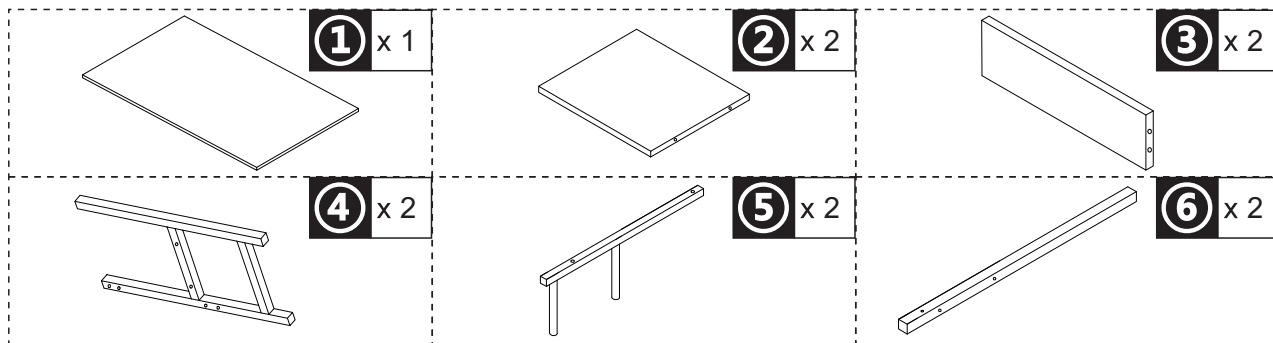


IMPORTANT, RETAIN FOR FUTURE REFERENCE: READ CAREFULLY

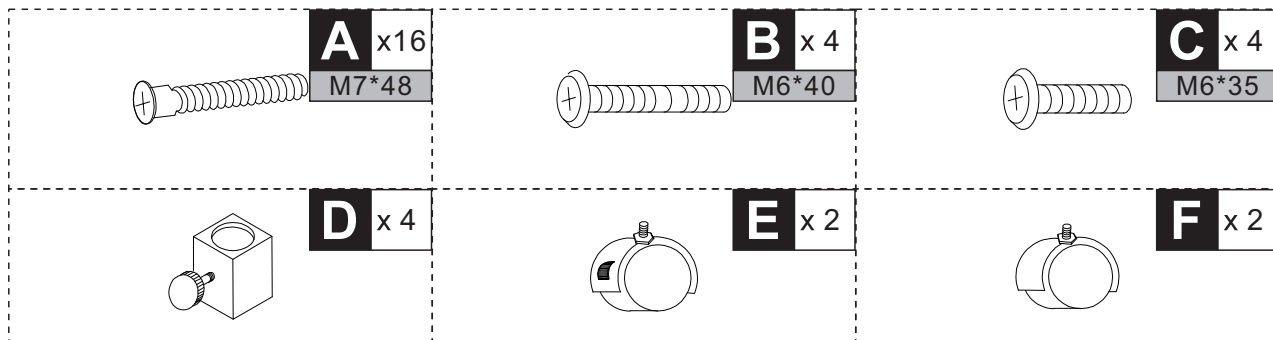
Tools Recommended

ASSEMBLY & INSTRUCTION MANUAL

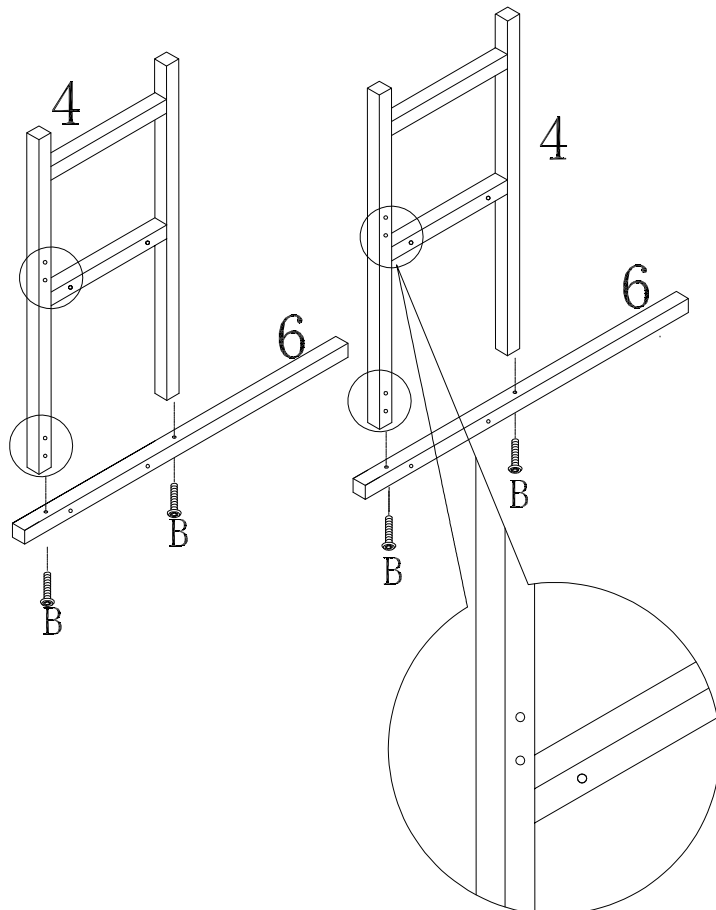
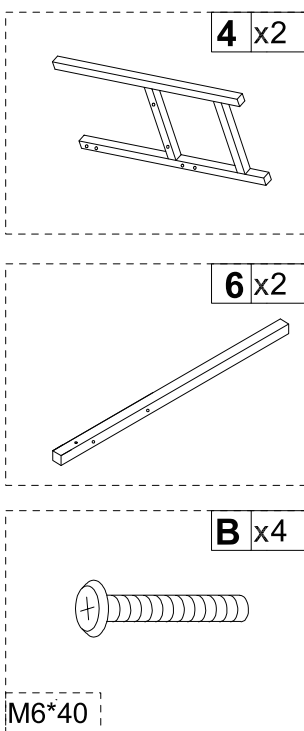
PARTS



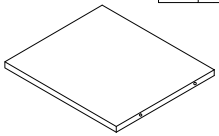
HARDWARE



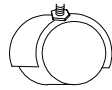
01



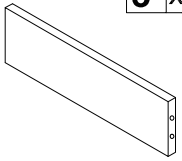
2 x2



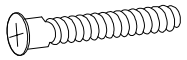
F x2



3 x2

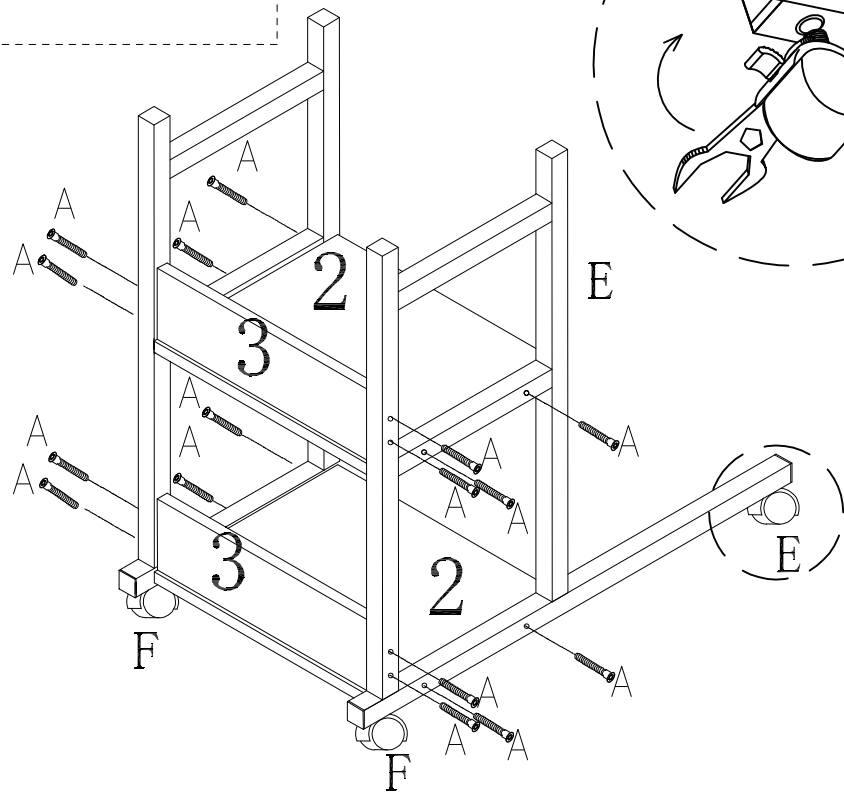
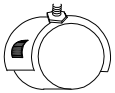


A x16

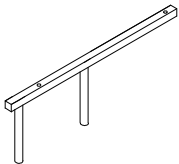


M7*48

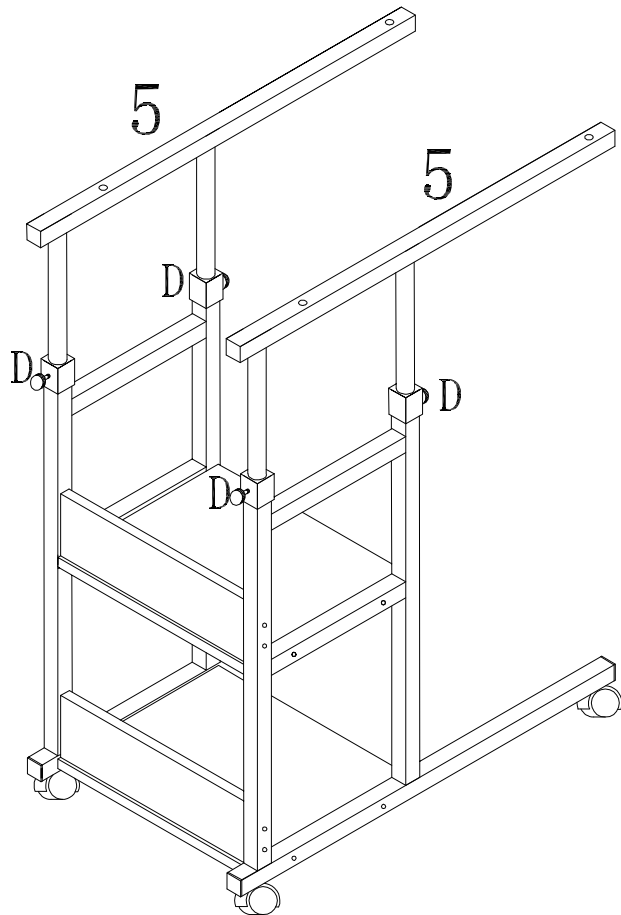
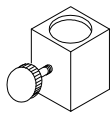
E x2



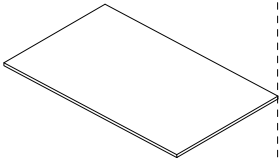
5 x2



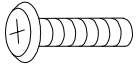
D x4



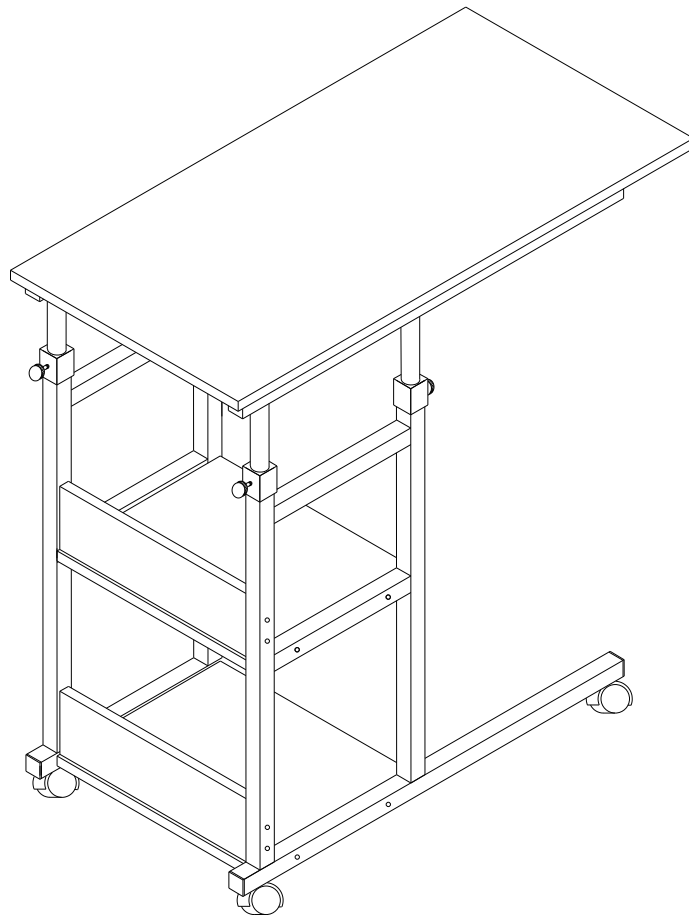
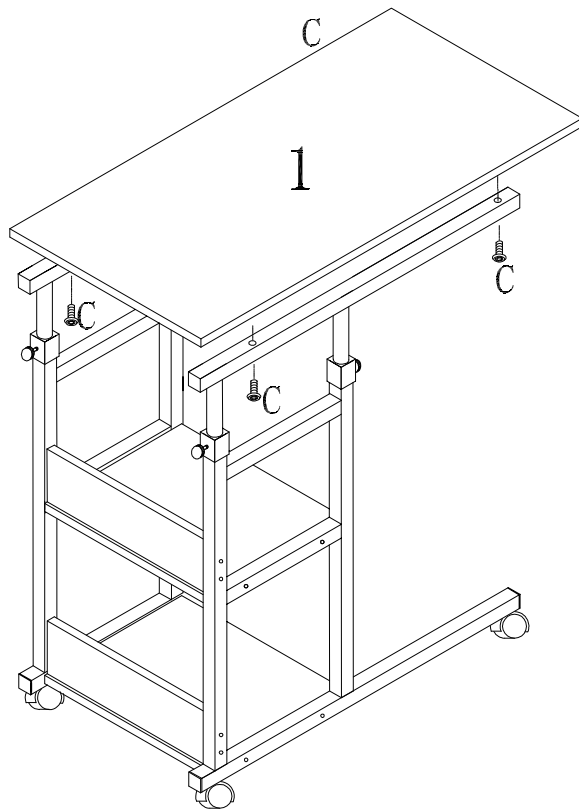
1 x2



C x4



M6*35



US



001-877-644-9366
customerservice@aosom.com

CA



001-855-537-6088
customerservice@aosom.ca

UK



0044-800-240-4004
enquiries@mhstar.co.uk

DE



0049-(0)40-88307530
service@aosom.de

FR



0033-1-84166106
contact@aosom.fr

ES



0034-931294512
atencioncliente@aosom.es

IT



0039-0249471447
clienti@aosom.it