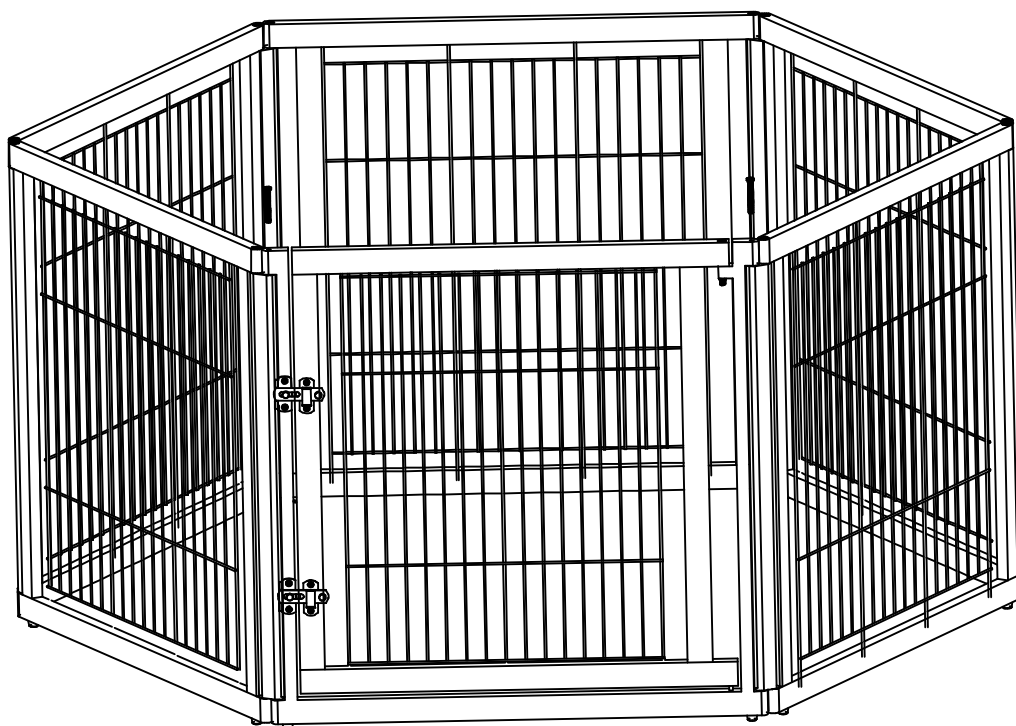


PawHut

INdkc002V03_GL

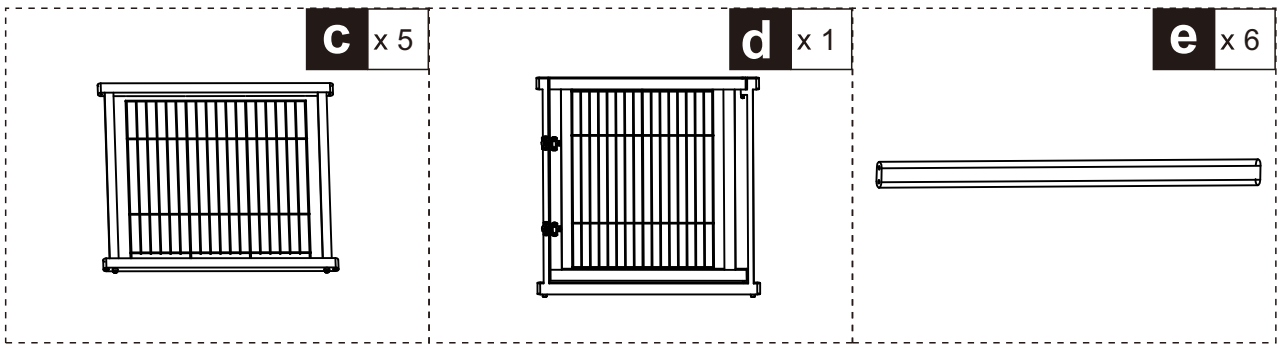
D06-104



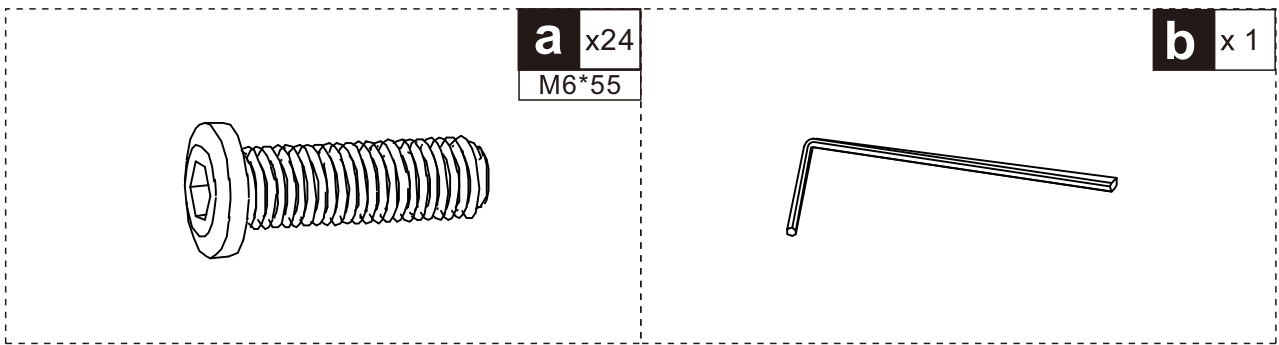
IMPORTANT, RETAIN FOR FUTURE REFERENCE: READ CAREFULLY

ASSEMBLY & INSTRUCTION MANUAL

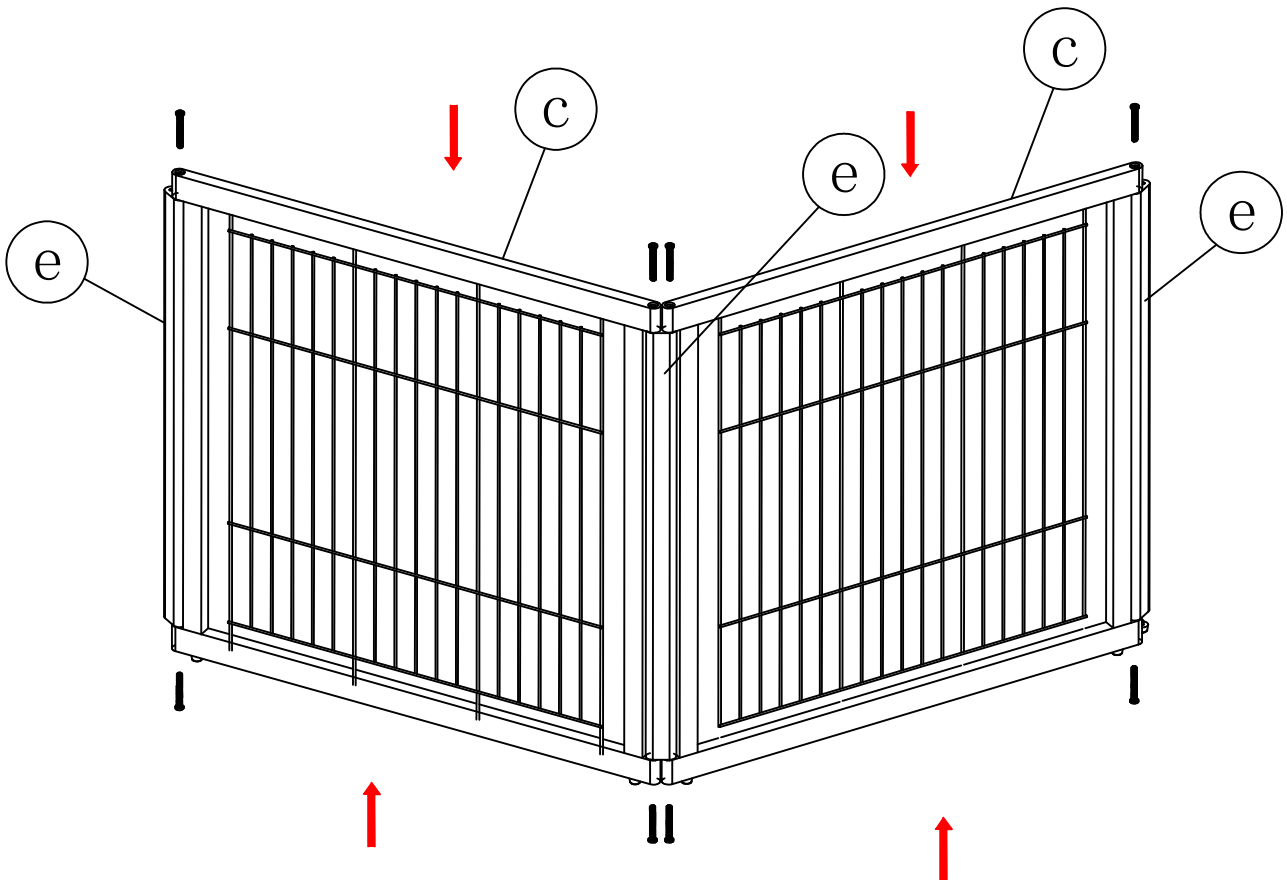
PARTS




HARDWARE

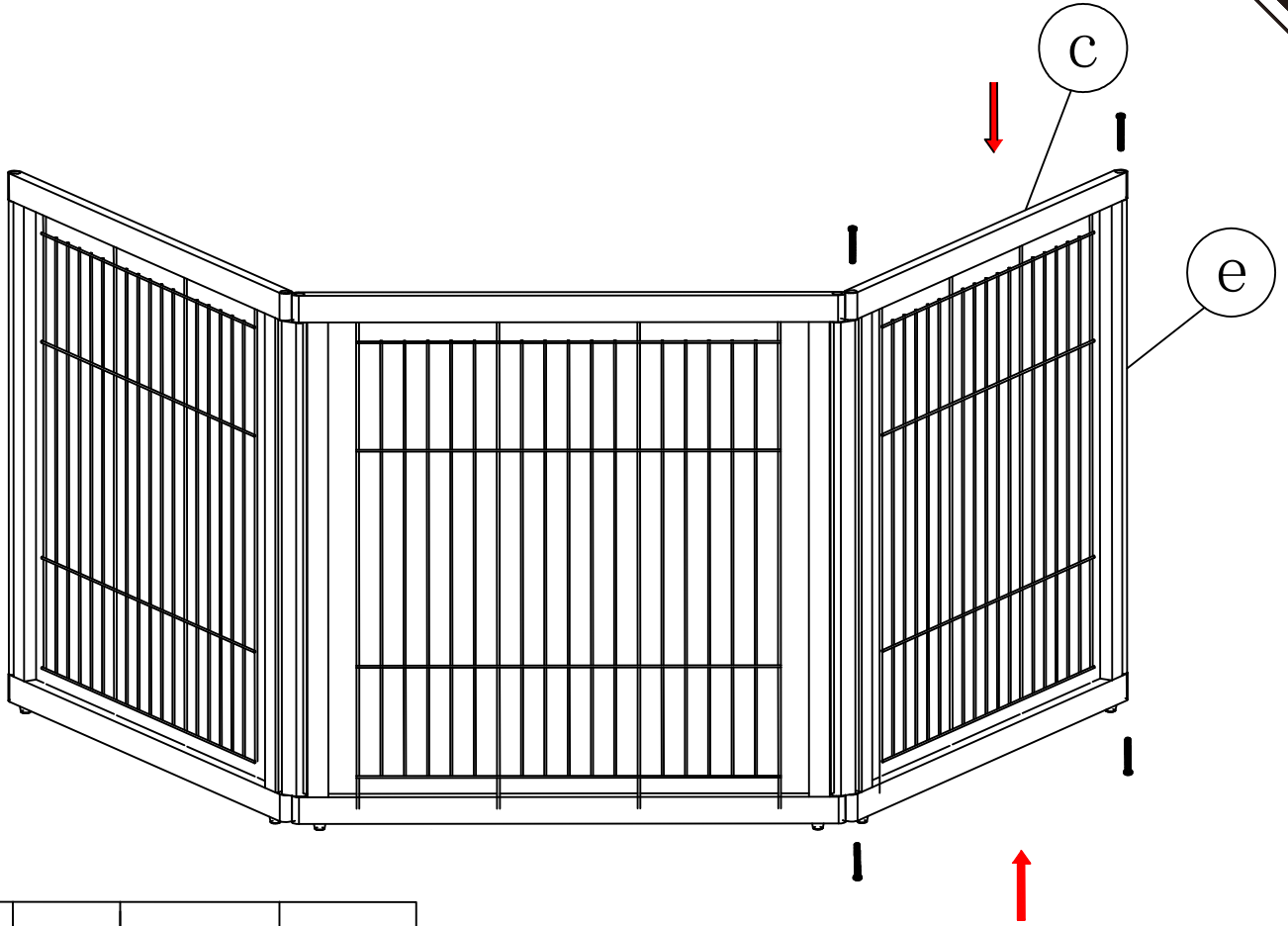


01



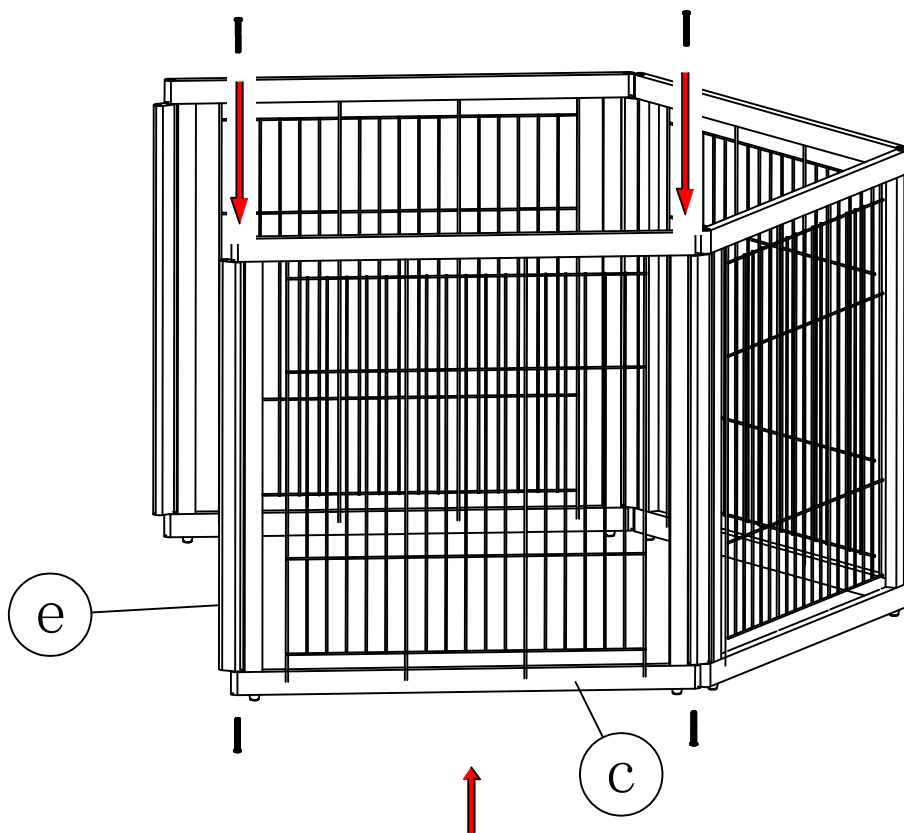
| | | | |
|-----|---|---------|---|
| (a) |  | M6*55mm | 8 |
|-----|---|---------|---|


02

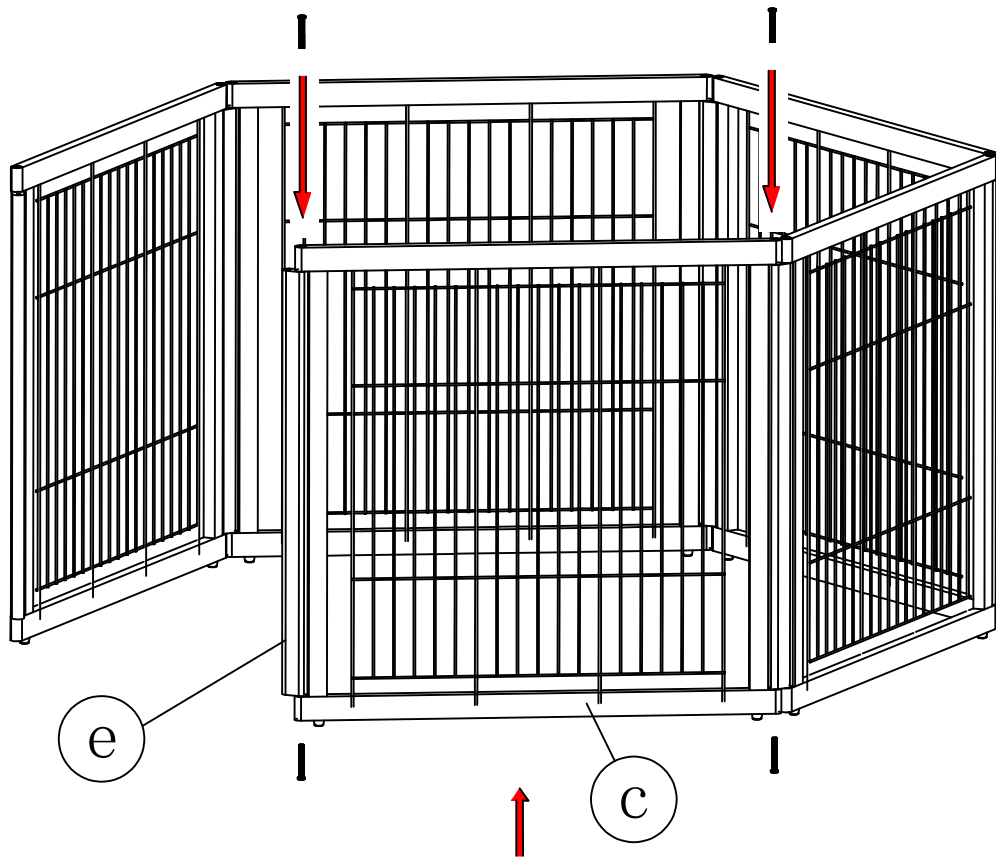



| | | | |
|-----|---|---------|---|
| (a) |  | M6*55mm | 4 |
|-----|---|---------|---|

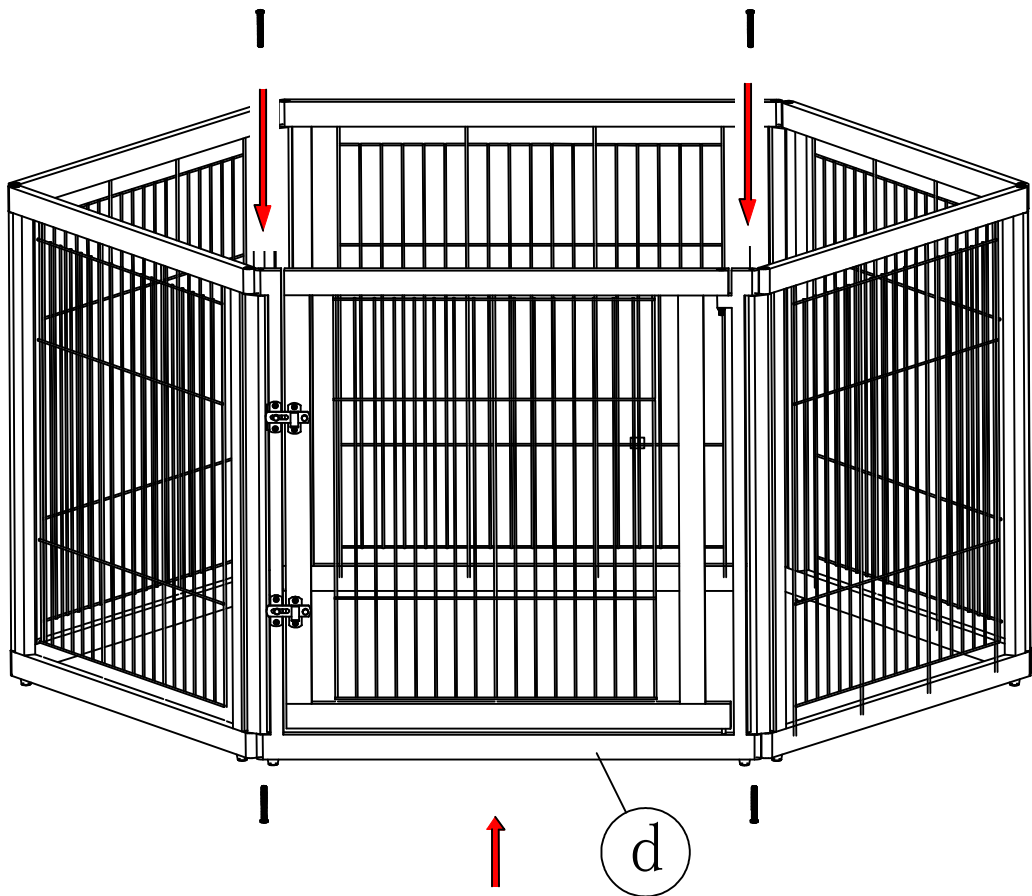
03




| | | | |
|-----|---|---------|---|
| (a) |  | M6*55mm | 4 |
|-----|---|---------|---|



| | | | |
|---|---|---------|---|
| a |  | M6*55mm | 4 |
|---|---|---------|---|



| | | | |
|---|---|---------|---|
| a |  | M6*55mm | 4 |
|---|---|---------|---|

