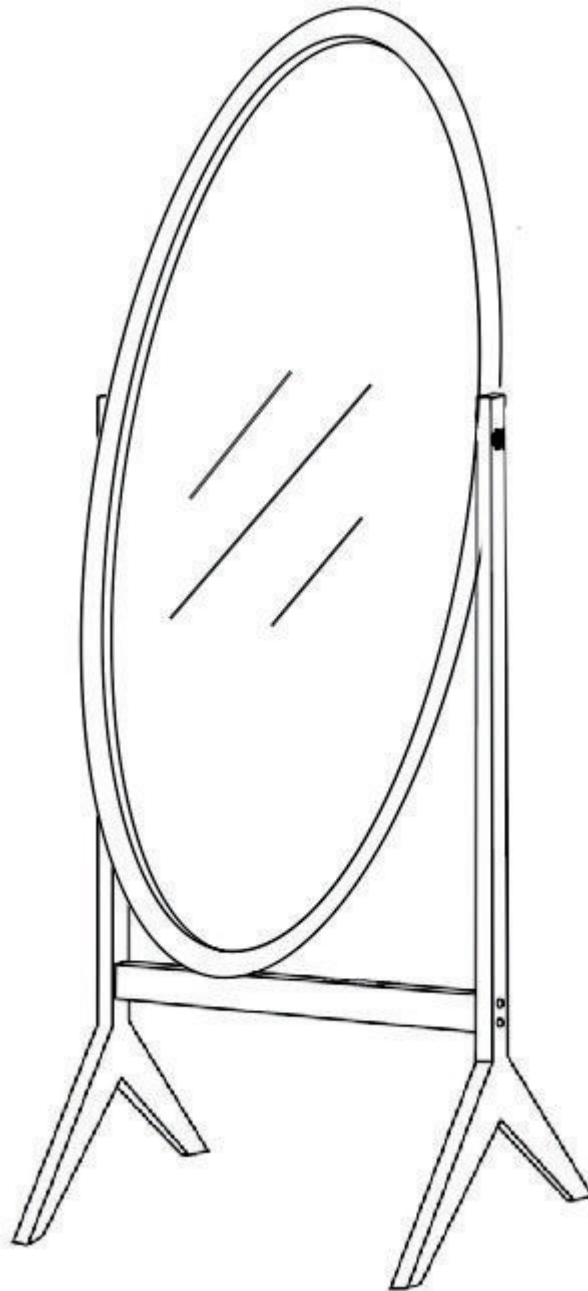




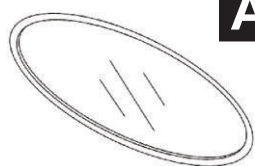
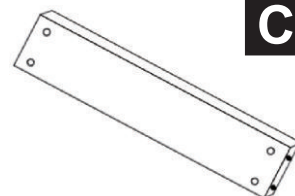
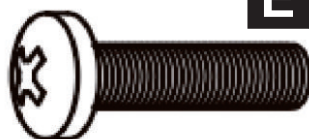
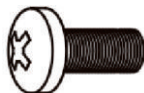
INcra098\_GL

**831-461**

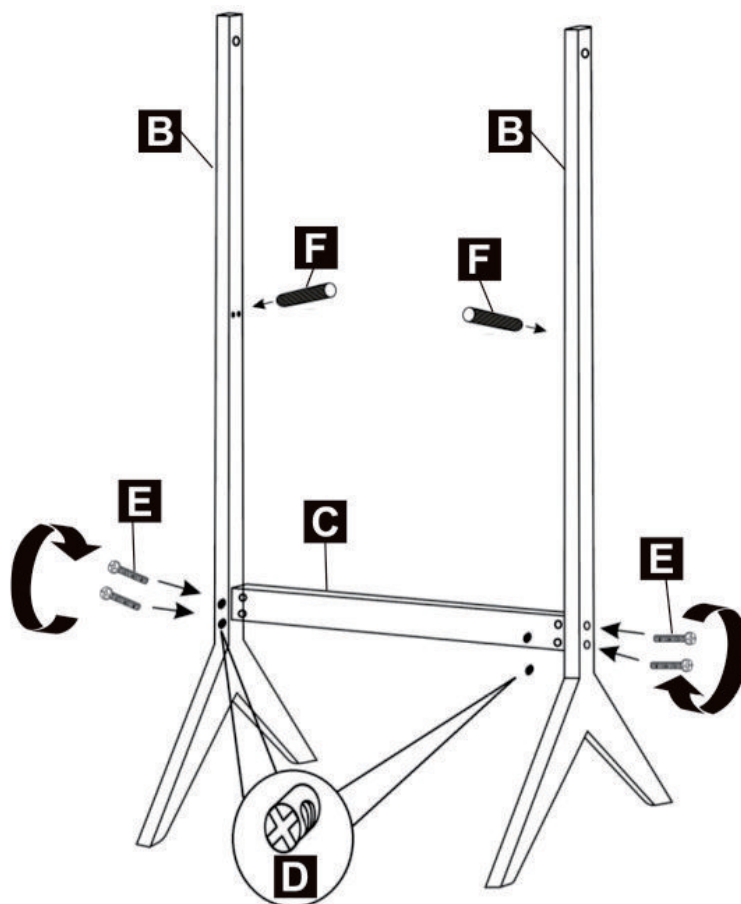


IMPORTANT, RETAIN FOR FUTURE REFERENCE: READ CAREFULLY

# ASSEMBLY & INSTRUCTION MANUAL

**A** x 1**B** x 2**C** x 1**D** x 4**E** x 4**F** x 2**G** x 2**H** x 2**J** x 2**B** x 2**C** x 1**D** x 4**E** x 4**F** x 2

01



**A** x 1

**G** x 2

**H** x 2

**J** x 2

