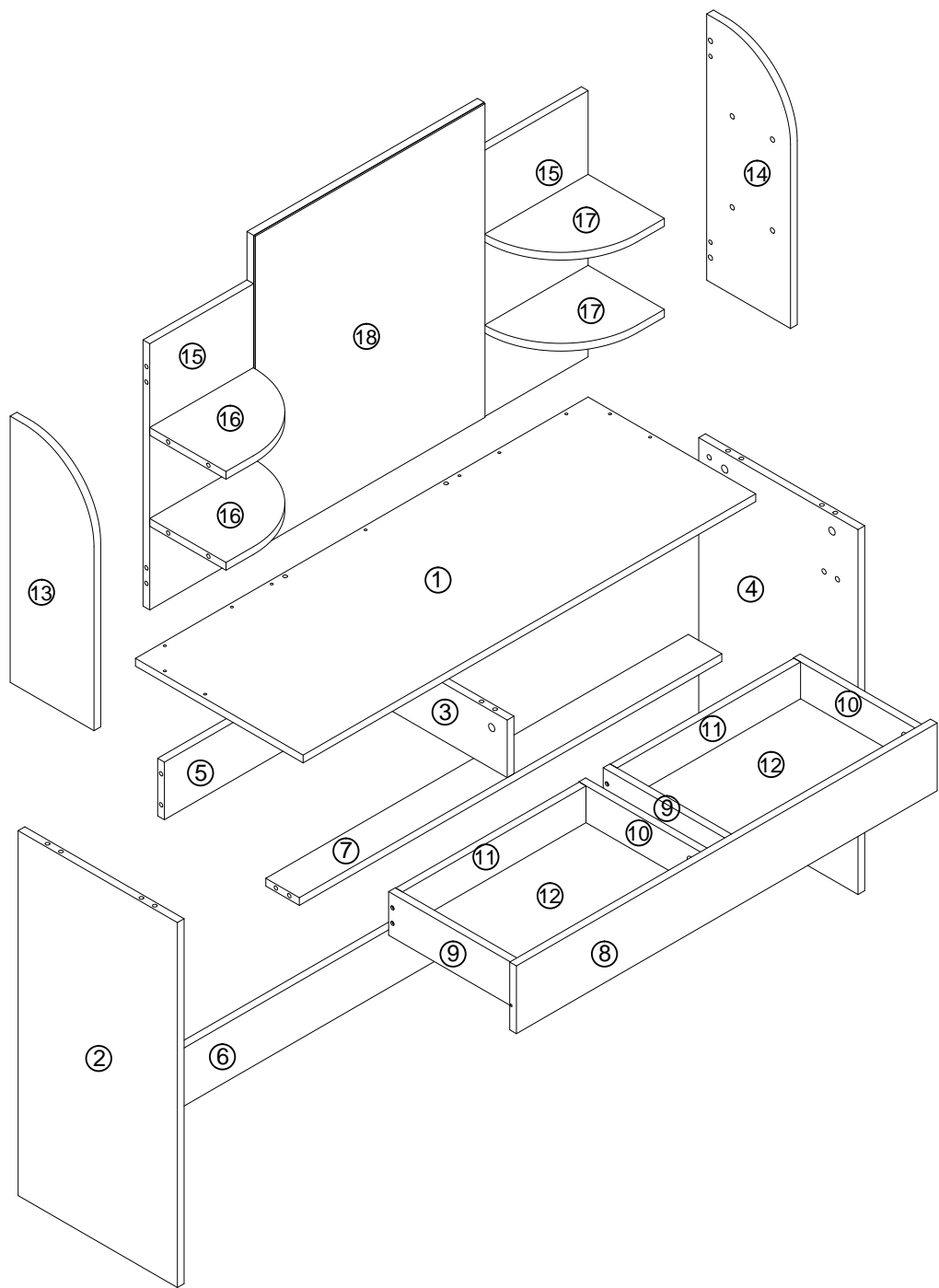


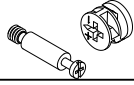





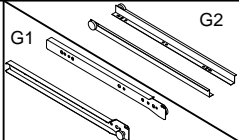
**831-273**  
**C000000**

	<p>Ø8*40</p>	<p>Ø5*40</p>	<p>Ø3.5*14</p>	<p>Ø4*35</p>	
<p>A×45</p>	<p>Ó FÎ</p>	<p>Ô GF</p>	<p>Ö FÎ</p>	<p>Ò Ì</p>	<p>Ø I</p>
<p>Õ G</p>					



## BOX 1/2

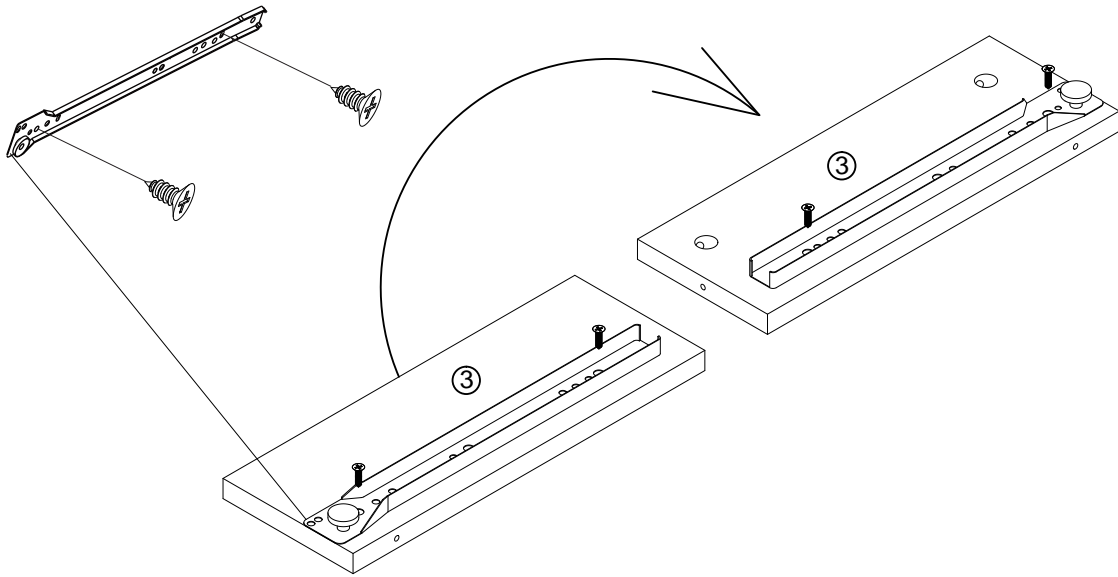
PART NO.	QTY
①	X1
②	X1
③	X1
④	X1
⑤	X1
⑥	X1
⑦	X1
⑧	X1
⑨	X2
⑩	X2
⑪	X2

PART NO.	PARTS	QTY
A		X45
B	< í B € 	X16
C	< í B € 	X21
D	< H Ě Ě I 	X16
E	< I H 	X8
F		X4
G		X2

## BOX 2/2

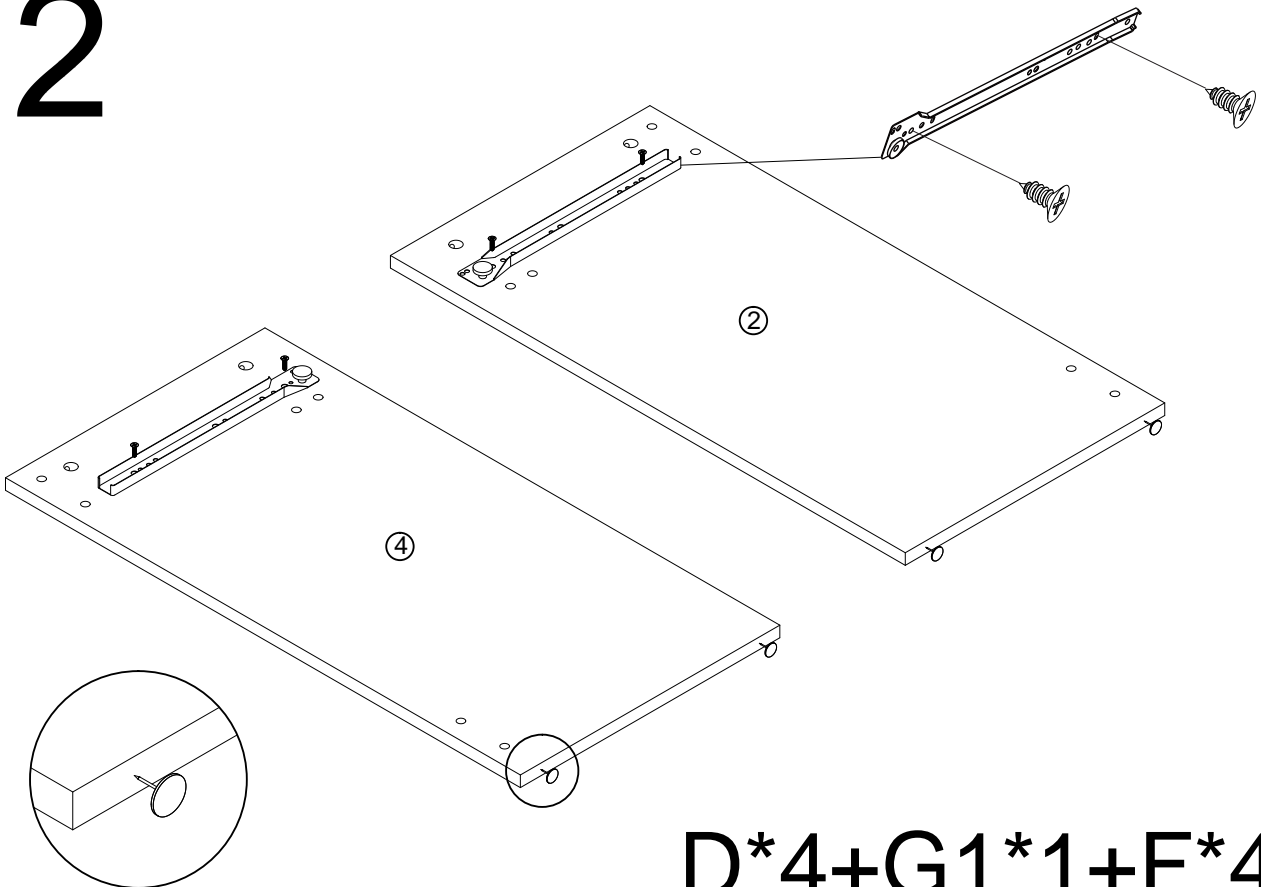
PART NO.	QTY
⑫	X2
⑬	X1
⑭	X1
⑮	X2
⑯	X2
⑰	X2
⑱	X1

# 1



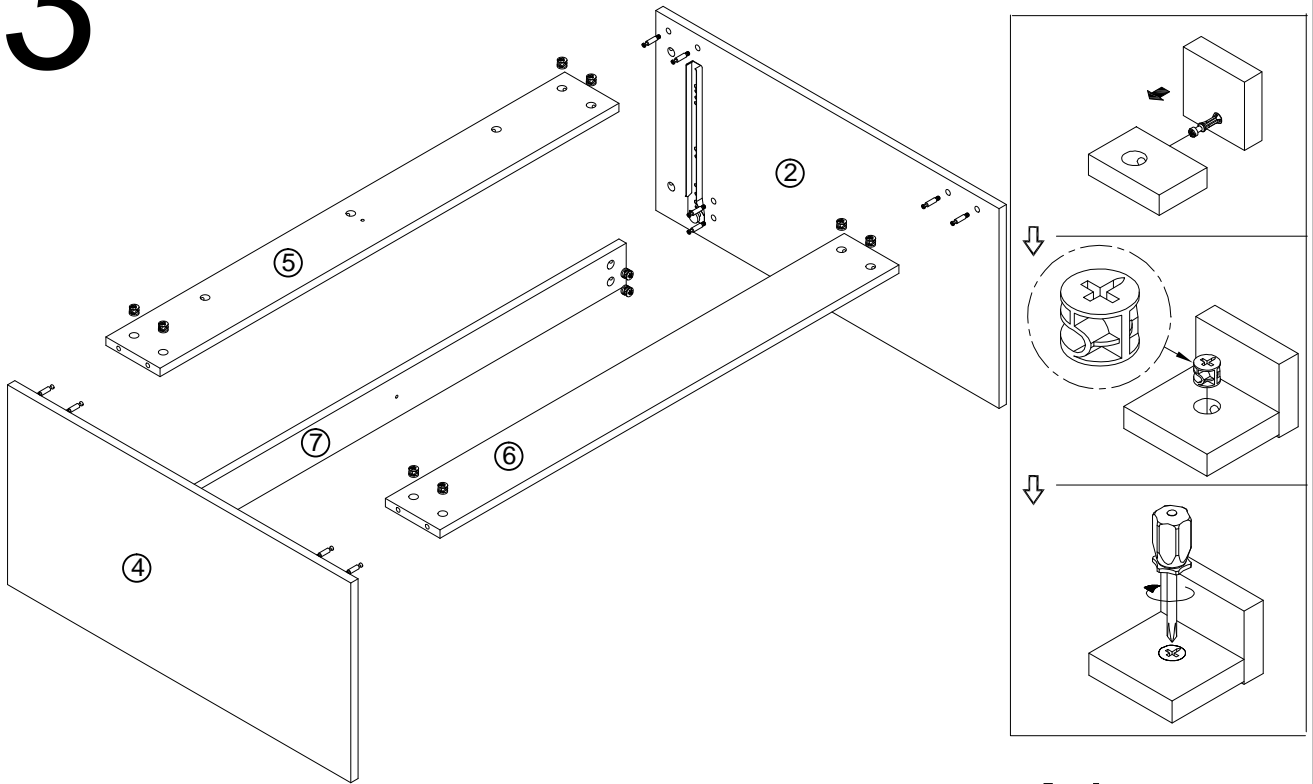
$D*4+G1*1$

# 2



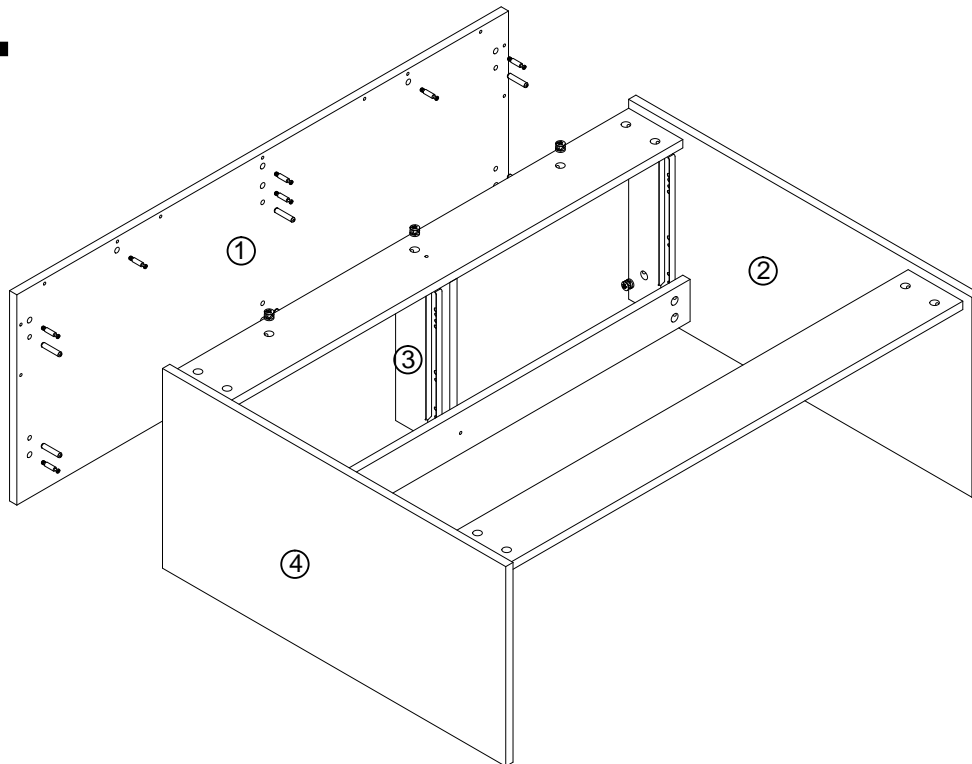
$D*4+G1*1+F*4$

# 3



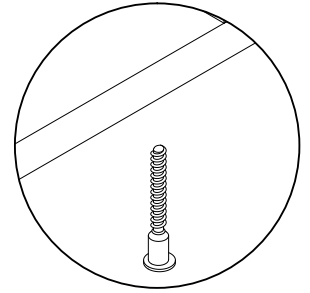
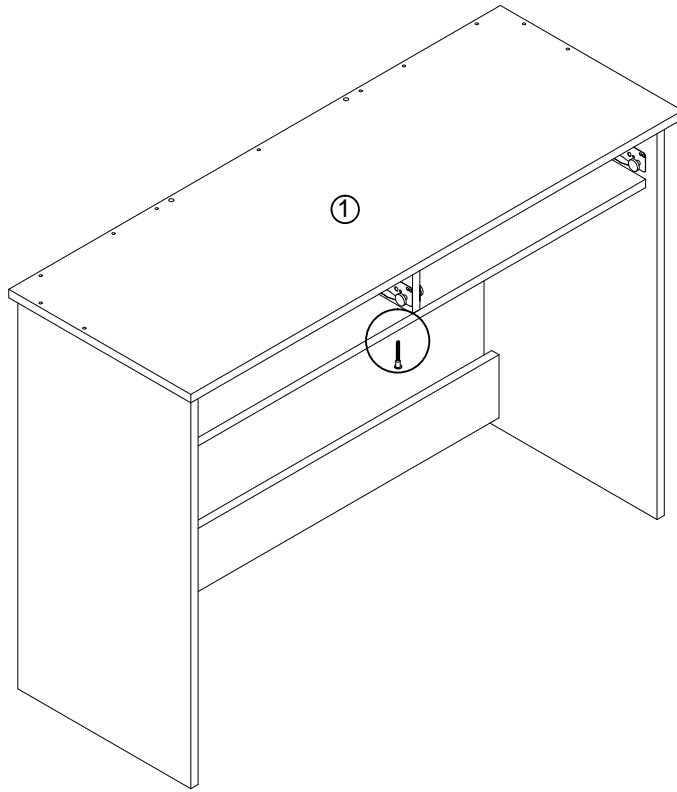
A\*12

# 4



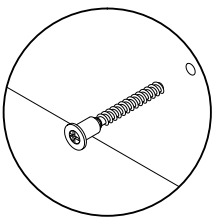
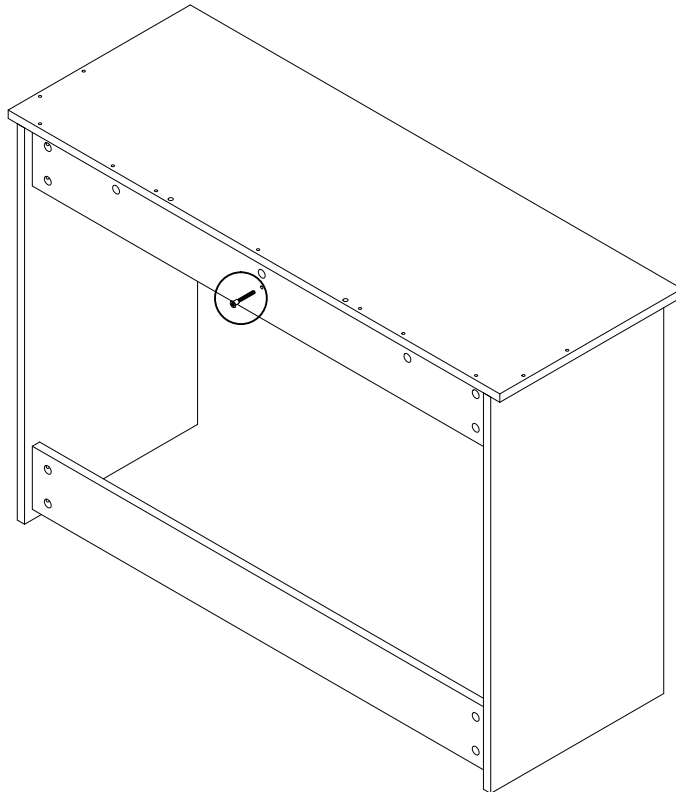
A\*9+B\*6

5



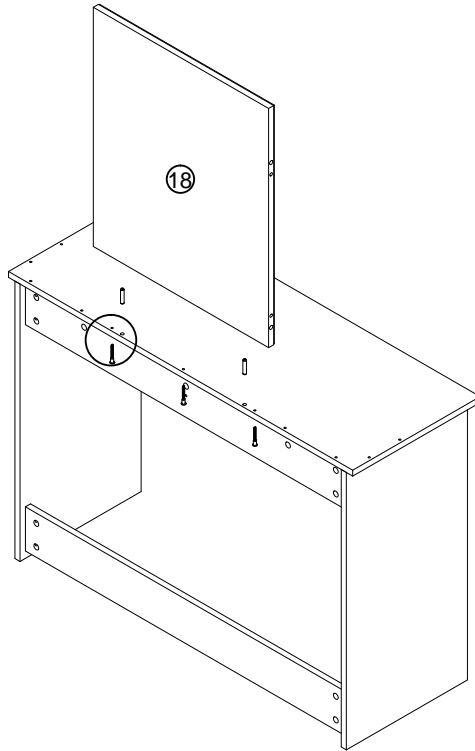
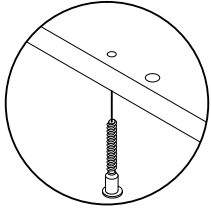
C\*1

6



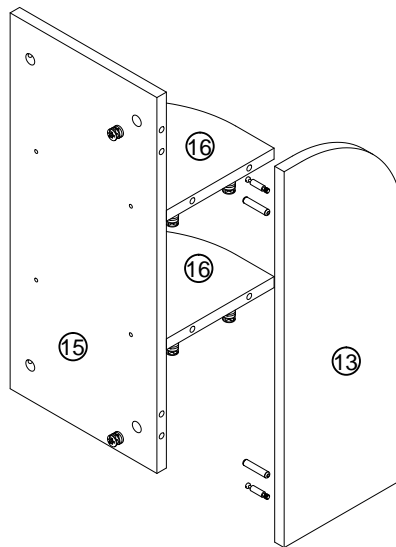
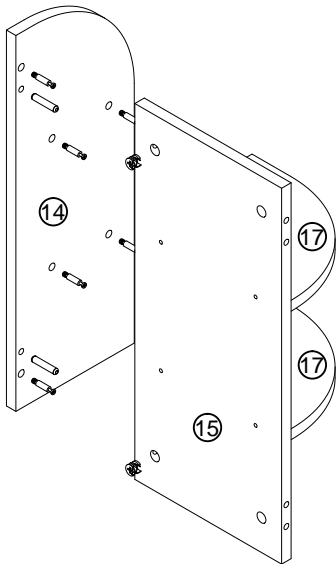
C\*1

7



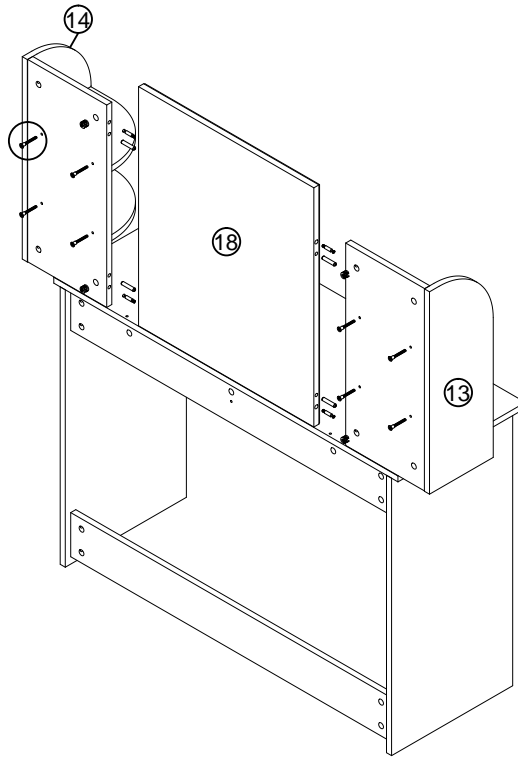
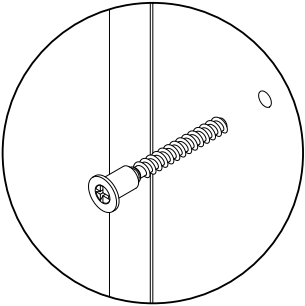
$B*2+C*3$

8



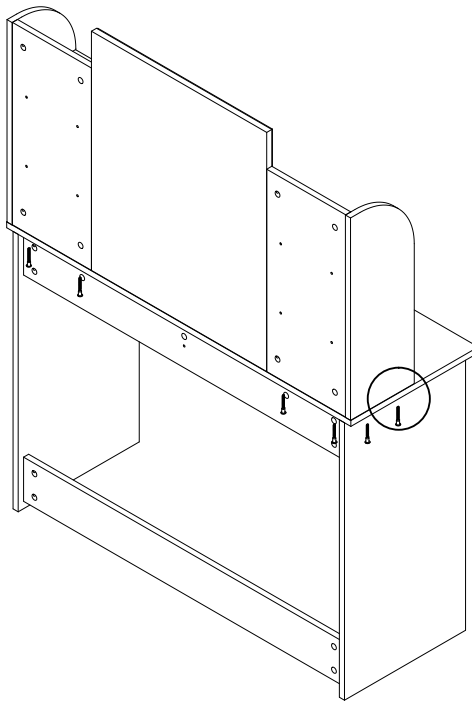
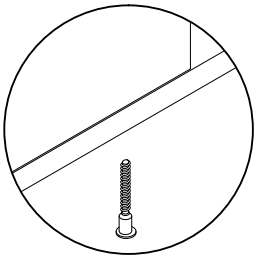
$A*12+B*4$

# 9



C\*8

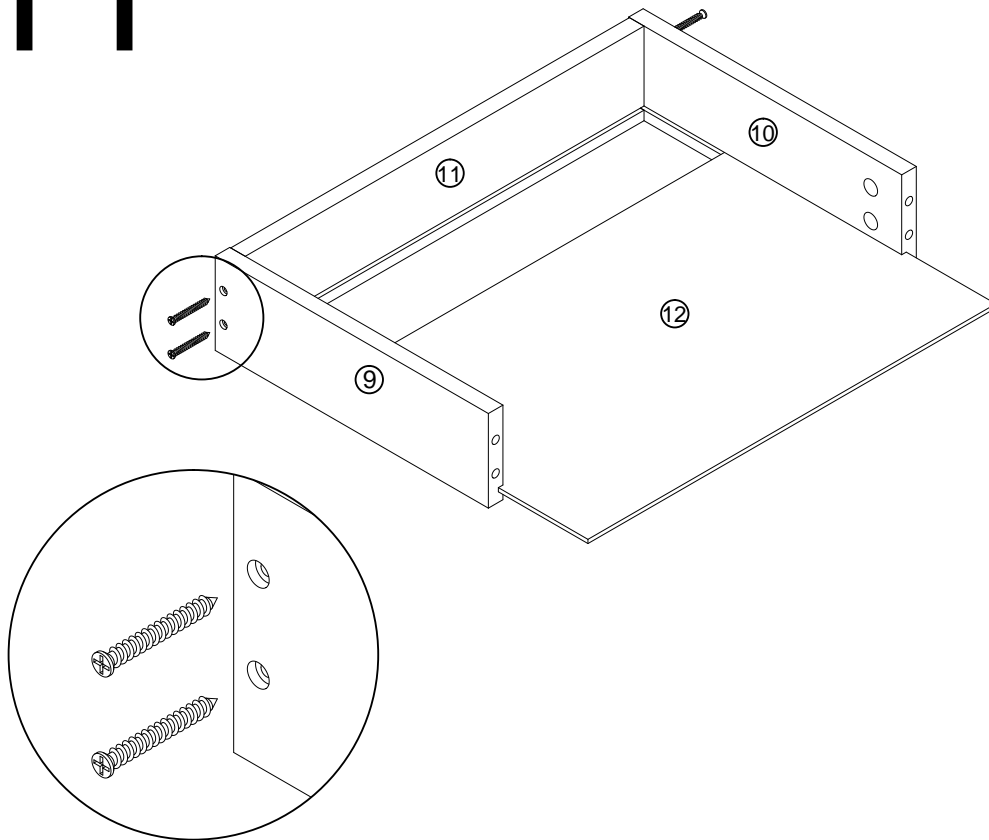
# 10



C\*8

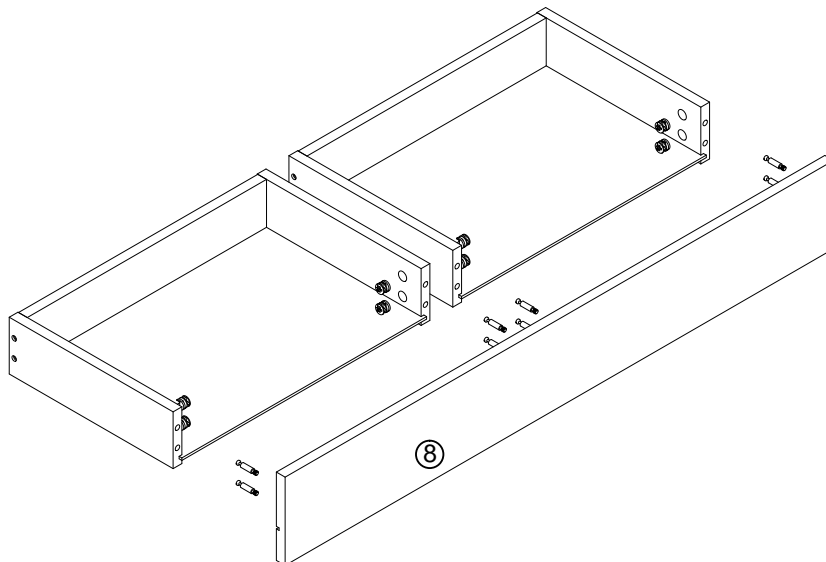


# 11



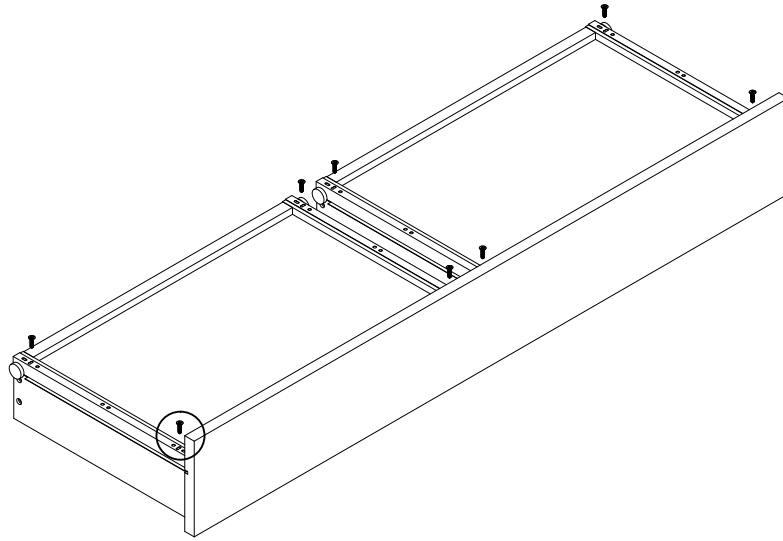
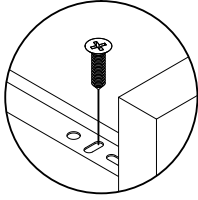
E\*8

# 12



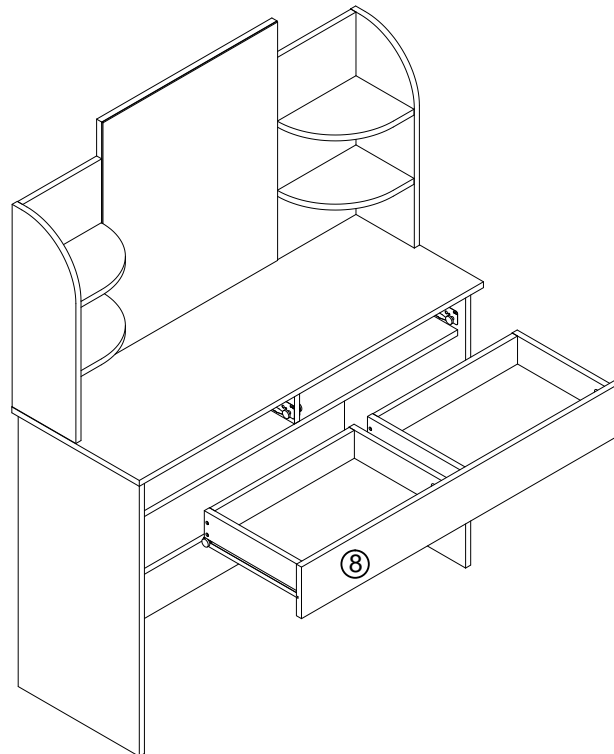
A\*8

# 13



D\*8+G2\*2

# 14



US



001-877-644-9366  
customerservice@aosom.com

CA



001-855-537-6088  
customerservice@aosom.ca

UK



0044-800-240-4004  
enquiries@mhstar.co.uk

DE



0049-(0)40-88307530  
service@aosom.de

FR



0033-1-84166106  
contact@aosom.fr

ES



0034-931294512  
atencioncliente@aosom.es

IT



0039-0249471447  
clienti@aosom.it