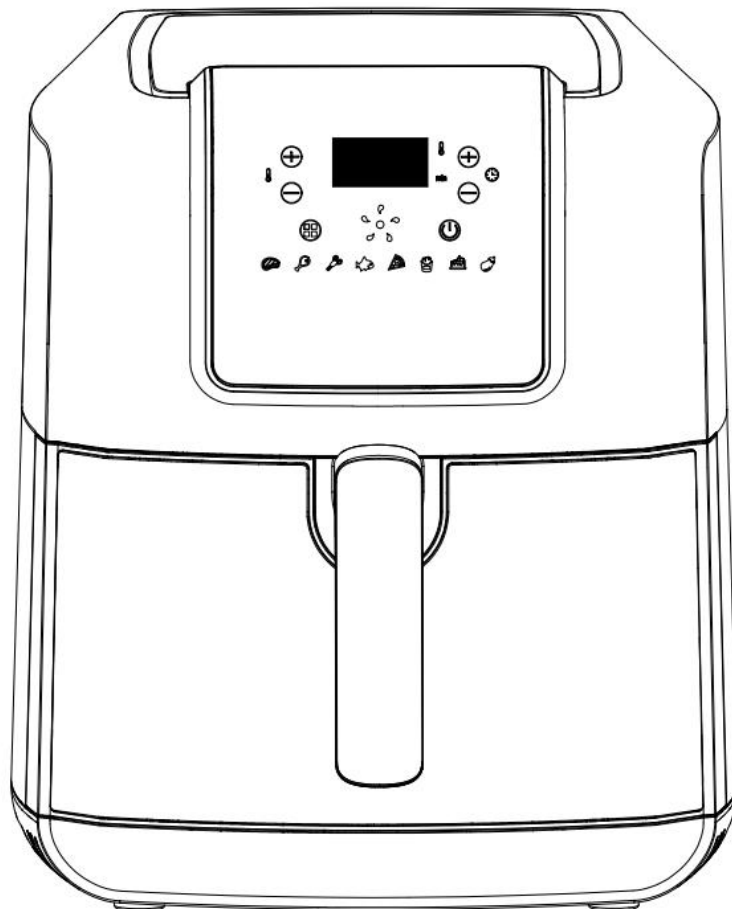




IN220901640V02\_UK\_FR\_DE\_ES\_IT

**800-120V70\_800-120V90**



**Air Fryer/Friteuse à Air/  
Fritteuse/Freidora de aire/  
Friggitrice ad Aria**



- FOR INDOOR HOUSEHOLD USE ONLY-
- USAGE DOMESTIQUE UNIQUEMENT-
- FÜR DEN HAUSGEBRAUCH IM INNENBEREICH-
- PARA USO DOMÉSTICO EN INTERIORES ÚNICAMENTE-
- SOLO PER USO DOMESTICO INTERNO -

**EN\_IMPORTANT, RETAIN FOR FUTURE REFERENCE: READ CAREFULLY.**

**FR\_IMPORTANT: A LIRE ATTENTIVEMENT ET À CONSERVER POUR CONSULTATION  
ULTÉRIEURE.**

**ES\_IMPORTANTE, LEA Y GUARDE PARA FUTURAS REFERENCIAS.**

**DE\_WICHTIG! SORGFÄLTIG LESEN UND FÜR SPÄTER NACHSCHLAGEN AUFBEWAHREN.**

**IT\_IMPORTANTE! CONSERVARE IL PRESENTE MANUALE PER FUTURO RIFERIMENTO E  
LEggerlo ATTENTAMENTE.**

## INTRODUCTION

This all now Hot-air fryer provides an easy and healthy way of preparing your favorite ingredients. By using hot rapid air circulation and a top grill, it is able to make numerous dishes. The best part is that the Hot-air fryer heats food at all directions and most of the ingredients do not need any oil.

## SAVE THESE INSTRUCTIONS

This appliance is intended to be used in household and similar applications such as:

- Staff kitchen areas in shops, offices and other working environments;
- Farm houses;
- By clients in hotels, motels and other residential type environments;
- Bed and breakfast type environments.

## IMPORTANT SAFEGUARDS

When using electrical appliances, basic safety precautions should always be followed including the following:

1. Read all instructions.
2. Do not touch hot surfaces.
3. To protect against electric shock do not immerse cord, plugs, or base in water or other liquid.
4. **WARNING:** This electrical appliance contains a heating function. Surfaces, also different than the functional surfaces, can develop high temperatures. Since temperatures are differently perceived by different persons, this equipment shall be used with CAUTION. The equipment shall be touch only at intended handles and gripping surfaces, and use heat protection like gloves or similar. Surfaces other than intended gripping surfaces shall get sufficiently time to the cool down before getting touched.
5. Unplug from outlet when not in use and before cleaning. Allow to cool before putting on or taking off parts.
6. Type Y: If the supply cord is damaged, it must be replaced by the manufacturer, its service agent or similarly qualified persons in order to avoid a hazard.
7. The use of accessory attachments not recommended by the appliance manufacturer may cause injuries.
8. Do not use outdoors
9. Do not let cord hang over edge of table or counter, or touch hot surfaces.
10. Do not place on or near a hot gas or electric burner, or in a heated oven.
11. Extreme caution must be used when moving an appliance containing hot oil or other hot liquids.
12. Always attach plug to appliance first, then plug cord in the wall outlet. To disconnect, turn any control to "off," then remove plug from wall outlet.
13. Do not use appliance for other than intended use.
14. This appliance can be used by children aged from 8 years and above and persons with reduced physical, sensory or mental capabilities or lack of experience and knowledge if they have been given supervision or instruction concerning use of the appliance in a safe way and understand the hazards involved. Children shall not play with the appliance. Cleaning and user maintenance shall not be made by children unless they are old than 8 and supervised.
15. Keep the appliance and its cord out of reach of children less than 8 years.
16. The appliances are not intended to be operated by means of an external timer or separate remote-control system.

**TECHNICAL DATA:**

- Voltage: 220-240V ~ 50/60Hz
- Wattage:1700 W
- Capacity of Pot: 6.5 L
- Adjustable temperature: 80°C-200°C
- Timer: 0-60 min

**GENERAL DESCRIPTION (Fig.1)**

- |                                 |                           |
|---------------------------------|---------------------------|
| 1. Cap                          | 2. Control panel          |
| 3. On the shell                 | 4. Panel decorative cover |
| 5. Main housing                 | 6. Rack                   |
| 7.Pot                           | 8. Drawer panel           |
| 9. Pot handle                   | 10. Bottom cover          |
| 11.Drawer front shell           | 12. Air outlet            |
| 13. Main cord (Electrical cord) |                           |

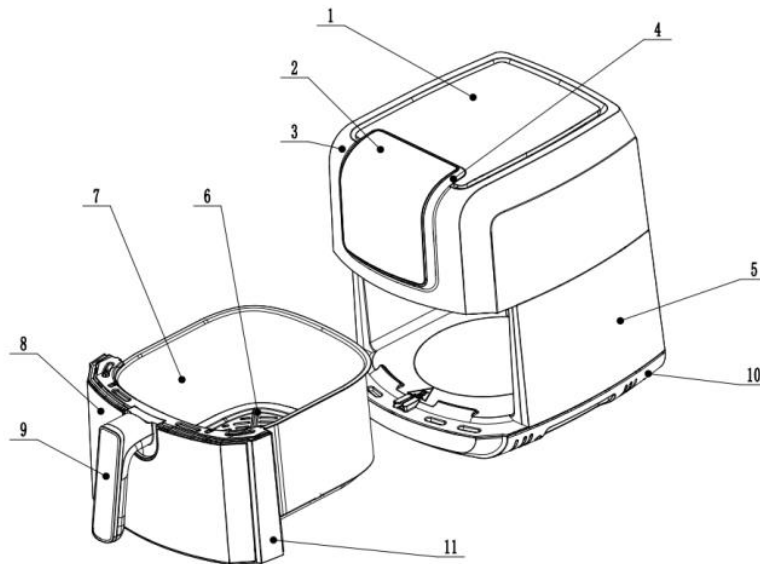


Fig.1

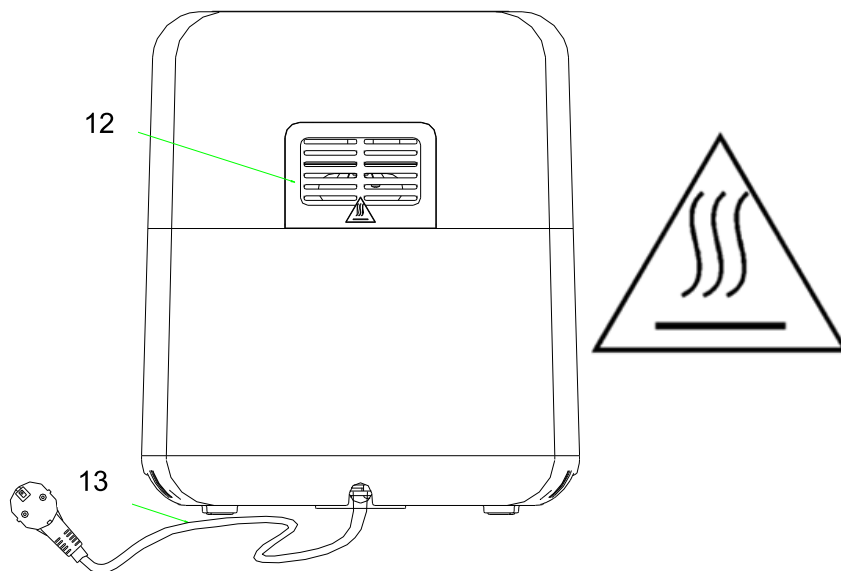


Fig.2

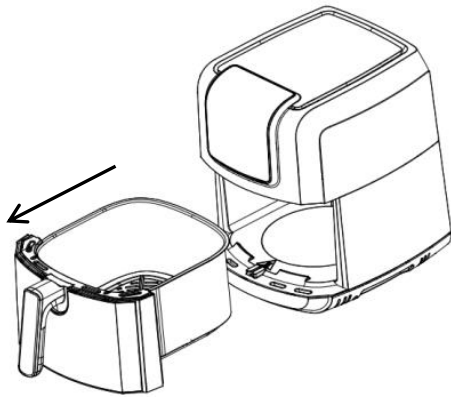


Fig.3

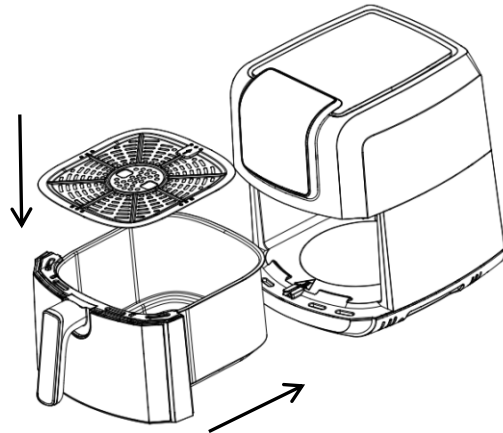


Fig.4

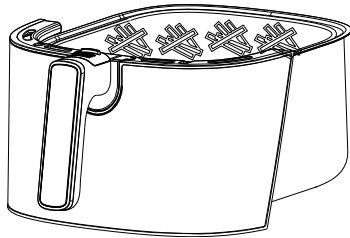


Fig.5

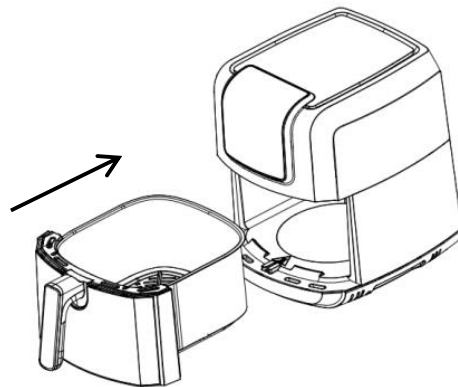


Fig.6

**Important!****Danger**

- This appliance can be used by children aged from 8 years and above and persons with reduced physical, sensory or mental capabilities or lack of experience and knowledge if they have been given supervision or instruction concerning use of the appliance in a safe way and understand the hazards involved. Children shall not play with the appliance. Cleaning and user maintenance shall not be made by children unless they are older than 8 and supervised.
- Keep the appliance and its cord out of reach of children less than 8 years.
- Never immerse the housing, which contains electrical components and the heating elements, in water nor rinse it under the tap.
- Do not let any water or other liquid enter the appliance to prevent electric shock.
- Always put the ingredients to be fried in the pot, to prevent it from coming into contact with the heating elements.
- Do not cover the air inlet and the air outer openings while the appliance is operating.
- Do not fill the pot with oil as this may cause a fire hazard.
- Never touch the inside of the appliance while it is operating.
- The temperature of accessible surfaces may be high when the appliance is operating

**WARNING**

- Check if the voltage indicated on the appliance fits the local mains voltage.
- Do not use the appliance if there is any damage on plug, mains cord or other parts.
- Do not go to any unauthorized person to replace or fix damaged main cord.
- Keep the mains cord away from hot surfaces.

- Do not plug in the appliance or operate the control panel with wet hands.
- Do not place the appliance against a wall or against other appliances. Leave at least 10cm free space on the back and sides and 10cm free space above the appliance.  
Do not place anything on top of the appliance.
- Do not use the appliance for any other purpose than described in this manual.
- Do not let the appliance operate unattended.
- During hot air frying, hot steam is released through the air outlet openings, Keep your hands and face at a safe distance from the steam and from the air outlet openings.  
Also be careful of hot steam and air when you remove the pot from the appliance.
- Any accessible surfaces may become hot during use (Fig.2)
- Immediately unplug the appliance if you see dark smoke coming out of the appliance.  
Wait for the smoke emission to stop before you remove the pot from the appliance.

### **Caution**

- Ensure the appliance is placed on a horizontal, even and stable surface.
- This appliance is designed for household use only. It may not be suitable to be safely used in environments such as staff kitchens, farms, motels, and other non-residential environments. Nor is it intended to be used by clients in hotels, motels, bed and breakfasts and other residential environments.
- If the appliance is used improperly or for professional or semi-professional purposes or it is not used according to the instructions in the user manual, the guarantee becomes invalid and we could refuse any liability for damage caused.
- Always unplug the appliance while not using.
- The appliance needs approximately 30 minutes to cool down for handle or cleaning safely.

### **Before first use**

1. Remove all packaging materials.
  2. Remove any stickers or labels from the appliance.
  3. Thoroughly clean the pot with hot water, some washing-up liquid and a non-abrasive sponge.
  4. Wipe inside and outside of the appliance with a moist cloth.
- This is an oil-free fryer that works on hot air, do not fill the pot with oil or frying fat directly.

### **Preparing for use**

1. Place the appliance on a stable, horizontal and even surface.  
Do not place the appliance on non-heat-resistant surface.
2. Please put the rack into the pot (Fig.4).  
Do not fill the pot with oil or any other liquid.  
Do not put anything on top of the appliance, the airflow will be disrupted and affects the hot air frying result.

### **USING THE APPLIANCE**

The oil-free can prepare a large range of ingredients.

#### **Hot air frying**

1. Connect the mains plug into an earthed wall socket.
2. Carefully pull the pot out of the Hot-air fryer (Fig.3)
3. Put the ingredients in the pot. (Fig.5)

4. Slide the pot back into the Hot-air fryer (Fig 6)

Noting to carefully align with the guides in the body of the fryer.

**Caution: Do not touch the pot during and sometime after use, as it gets very hot. Only hold the pot by the handle.**

5. Determine the required preparation time for the ingredient (see section 'Settings' in this chapter).

6. Some ingredients require shaking halfway through the preparation time (see section "Settings" in this chapter). To shake the ingredients, pull the pot out of the appliance by the handle and shake it. Then slide the pot back into the air fryer

*Tip: If you set the timer to half the preparation time, you hear the timer buzzer when you have to shake the ingredients. However, this means that you have to set the timer again to the remaining preparation time after shaking.*

7. When you hear the timer buzzer, the set preparation time has elapsed. Pull the pot out of the appliance

**Note: You can also switch off the appliance manually. To do this, set the time to 1.**

8. Check if the ingredients are ready.

If the ingredients are not ready yet, simply slide the pot back into the appliance and set the timer to a few extra minutes.

9. To remove ingredients (e.g. fries), pull the pot out of the Hot-air fryer and place it on trial framework.

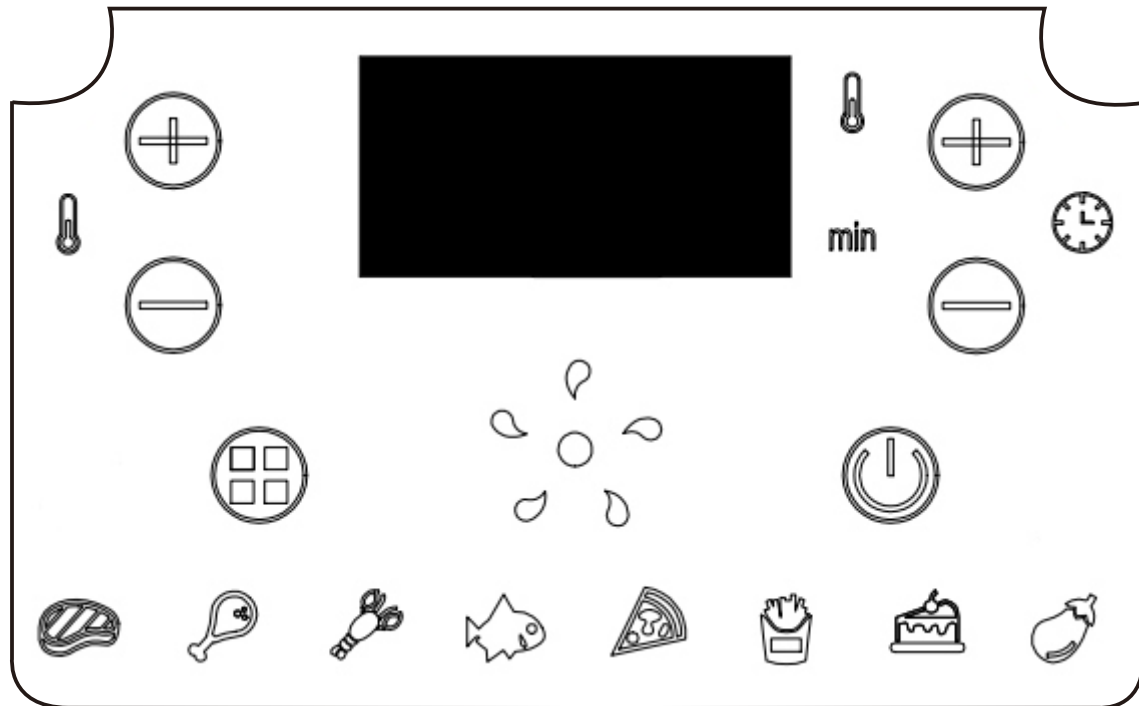
**Do not turn the pot upside down still attached to it, as any excess oil that has collected on the bottom of the pot will leak onto the ingredients.**

**The pot and the ingredients are hot. Depending on the type of the ingredients in the air fryer, steam may escape from the pot.**


10. Empty the pot into a bowl or onto a plate.

11. When a batch of ingredients is ready, the Hot-air fryer is instantly ready for preparing another batch.

## CONTROL PANEL INSTRUCTIONS




### Operation Instructions:

Key  –Power Key

Once the pot are properly placed in the main housing, the Power light will be illuminated. Selecting the power key for 3 seconds will make the unit default temperature 200°C, While the cooking time will be set to 15 minutes. Selecting the Power key a second time will start the cooking process. Pressing the power key for 3 seconds to close the entire device during cooking. The OFF and fan indicator will be displayed for 20 seconds; All the lights go out; the fan stops working.



Note: During cooking, you can touch the keys to control the pause and start of cooking.

Key  –Preset Key

Selecting the “” Preset key enables you to scroll through the 8 popular food choices. Once selected, the predetermined time and cooking temperature function begins.

Left side of control panel  area, Key  & Key  -Temperature Control Keys

Selecting The Key  and Key  symbols enable you to add or decrease cooking temperature 5°C at a time. Keeping the Key held down will rapidly change the temperature. Temperature Control range: 80°C-200°C.

Right side of control panel **min** area ; Selecting The Key  and Key  symbols enable you to add or decrease cooking time, one minute at a time. Keeping the key held down will rapidly change the time, Maximum 60 minutes;



Indicator light “” Fan indicator;

Red indicator light “” Heating lamp;

Right side of control panel indicator light “” Temperature indicator;

Indicator light “min” Timer indicator;

Indicator light “” Recipe indicator

## Settings

This table below will help you to select the basic settings for the ingredients.









Note: Keep in mind that these settings are indications. As ingredients differ in origin, size, shape as well as brand, we cannot guarantee the best setting for your ingredients.

Because the Rapid Air technology instantly reheats the air inside the appliance instantly Pull the pot briefly out of the appliance during hot air frying barely disturbs the process.

## Tips

- *Smaller ingredients usually require a slightly shorter preparation time than larger ingredients.*
- *A larger amount of ingredients only requires a slightly longer preparation time, a smaller amount of ingredients only requires a slightly shorter preparation time.*
- *Shaking smaller ingredients halfway through the preparation time optimizes the end result and can help prevent unevenly fried ingredients.*
- *Add some oil to fresh potatoes for a crispy result. Fry your ingredients in the Hot-air fryer within a few minutes after you added the oil.*
- *Do not prepare extremely greasy ingredients such as sausages in the Hot-air fryer.*
- *Snacks that can be prepared in a oven can also be prepared in the Hot-air fryer*
- *The optimal amount for preparing crispy fries is 500 grams.*
- *Use pre-made dough to prepare filled snacks quickly and easily. Pre-made dough also requires a shorter preparation time than home-made dough.*
- *Place a baking tin or oven dish in the Hot-air fryer basket if you want to bake a cake or quiche or if you want to fry fragile ingredients or filled ingredients*
- *You can also use the Hot-air fryer to reheat ingredients. To reheat ingredients, set the temperature to 150°C for up to 10 minutes.*



									
Defaults	Temp(°C)	180	180	180	180	160	200	160	160
	Time (min)	16	25	12	18	17	17	25	17
Range	Temp(°C)	80-200	80-200	80-200	80-200	80-200	80-200	80-200	80-200
	Time (min)	1-60	1-60	1-60	1-60	1-60	1-60	1-60	1-60
Min-Max(g)		100-600	100-500	100-500	100-500	100-500	100-500	100-500	100-500

### Cleaning

Clean the appliance after every use.

**The pot. Do not use metal kitchen utensils or abrasive cleaning materials to clean them, as this may damage the non-stick coating.**

1. Remove the mains plug from the wall socket and let the appliance cool down.

Note: Remove the pot to let the Hot-air fryer cool down more quickly.

2. Wipe the outside of the appliance with a moist cloth.
3. Clean the pot with hot water, some washing-up liquid and a non-abrasive sponge.  
You can use degreasing liquid to remove any remaining dirt.

*Tip: If dirt is stuck to the bottom of the pot, fill the pot with hot water with some washing-up liquid. Put the pot soak for approximately 10 minutes.*

4. Clean the inside of the appliance with hot water and non-abrasive sponge.
5. Clean the heating element with a cleaning brush to remove any food residues.

### Storage

1. Unplug the appliance and let it cool down.
2. Make sure all parts are clean and dry.


### Environment

Do not throw away the appliance with the normal household waste when it is exhausted, but hand it in at an official collection point for recycling. By doing this, you help to preserve the environment

## Troubleshooting

<b>problem</b>	<b>Possible cause</b>	<b>Solution</b>
The Hot-air fryer does not work	The appliance is not plugged in.	Put the mains plug in an earthed wall socket.
	Don't set timer.	Set the timer key to the required preparation time to switch on the appliance.
The ingredients fried with the air fryer are not done.	The amount of ingredients in the pot is too big.	Put smaller batches of ingredients in the pot. Smaller batches are fried more evenly.
	The set temperature is too low.	Set the temperature key to the required temperature setting (see section 'settings' in chapter 'Using the appliance').
	The preparation time is too short.	Set the timer to the required preparation time (see section 'Settings' in chapter 'Using the appliance').
The ingredients are fried unevenly in the air fryer.	Certain types of ingredients need to be shaken halfway through the preparation time.	Ingredients that lie on top of or across each other (e.g. fries) need to be shaken halfway through the preparation time. See section 'Settings' in chapter 'Using the appliance'.
Fried snacks are not crispy when they come out of the air fryer.	You used a type of snacks meant to be prepared in a traditional deep fryer.	Use oven snacks or lightly brush some oil onto the snacks for a crispier result.
I cannot slide the pan into the appliance properly.	There are too much ingredients in the pot.	Do not fill the pot beyond the MAX indication.
	The pot is not placed correctly.	Push the pot again in right direction and try again.
White smoke comes out of the appliance.	You are preparing greasy ingredients.	When you fry greasy ingredients in the air fryer, a large amount of oil will leak into the pot. The oil produces white smoke and the pot may heat up more than usual. This does not affect the appliance or the end result.
	The pot still contains grease residues from previous use.	White smoke is caused by grease heating up in the pan. make sure you clean the pan properly after each use.
Fresh fries are fried unevenly in the air fryer.	You did not use the right potato type.	Use fresh potatoes and make sure they stay firm during frying.
	You did not rinse the potato sticks properly before you fried them.	Rinse the potato sticks properly to remove starch from the outside of the sticks.

Fresh fries are not crispy when they come out of the air fryer.	The crispiness of the fries depends on the amount of oil and water in the fries.	Make sure you dry the potato sticks properly before you add the oil.
		Cut the potato sticks smaller for a crispier result.
		Add slightly more oil for a crispier result.

Correct Disposal of this product	
	<p>This marking indicates that this product should not be disposed with other household wastes throughout the EU. To prevent possible harm to the environment or human health from uncontrolled waste disposal, recycle it responsibly to promote the sustainable reuse of material resources. To return your used device, please use the return and collection systems or contact the retailer where the product was purchased. They can take this product for environmental safe recycling.</p>

**\* Error description: "E1" NTC falls off or is damaged**

If you have any questions, please contact our customer care center.  
Our contact details are below:

 0044-800-240-4004

 [enquiries@mhstar.co.uk](mailto:enquiries@mhstar.co.uk)

IMPORTER ADDRESS:  
MH STAR UK LTD  
Unit 27, Perivale Park,  
Horsenden lane South  
Perivale, UB6 7RH  
MADE IN CHINA

## INTRODUCTION

Cette friteuse à air chaud offre un moyen facile et sain de préparer vos ingrédients préférés. En utilisant la circulation rapide de l'air chaud et une grille supérieure, elle est capable de préparer de nombreux plats. Le plus intéressant est que la friteuse à air chaud permet de chauffer les aliments dans toutes les directions et que la plupart des ingrédients n'ont pas besoin d'huile.

## CONSERVER CES INSTRUCTIONS

Cet appareil est destiné à être utilisé dans des applications domestiques et similaires telles que:

- Les espaces de cuisine du personnel dans les magasins, les bureaux et autres environnements de travail;
- Les maisons de ferme;
- Par des clients dans des hôtels, des motels et d'autres environnements de type résidentiel;
- Environnements de type chambres d'hôtes.

## MESURES DE PROTECTION IMPORTANTES

Lorsque vous utilisez des appareils électriques, les consignes de sécurité de base doivent toujours être suivies, y compris les suivantes:

1. Lisez toutes les instructions.
2. Ne touchez pas les surfaces chaudes.
3. Pour protéger contre les chocs électriques, ne plongez pas le cordon, les fiches ou l'appareil dans de l'eau ou un autre liquide.
4. **AVERTISSEMENT:** Cet appareil électrique contient une fonction de chauffage. Des surfaces, également différentes des surfaces fonctionnelles, peuvent développer des températures élevées. Les températures étant perçues différemment selon les personnes, cet appareil doit être utilisé avec PRUDENCE. L'appareil ne doit être touché qu'au niveau des poignées et des surfaces de préhension prévue, une protection contre la chaleur doit être utilisée comme des gants ou autres. Les surfaces autres que les surfaces de préhension prévues doivent avoir suffisamment de temps pour refroidir avant d'être touchées.
5. Débranchez la prise lorsqu'elle n'est pas utilisée et avant le nettoyage. Laissez-la refroidir avant de mettre ou d'enlever des pièces.
6. Types-Y: Si le cordon d'alimentation est endommagé, il doit être remplacé par le fabricant, son agent de service ou des personnes de qualification similaire afin d'éviter tout risque.
7. L'utilisation d'accessoires non recommandés par le fabricant de l'appareil peut causer des blessures.
8. N'utiliser pas l'appareil à l'extérieur
9. Ne laissez pas le cordon pendre sur le bord de la table ou du comptoir, ni ne touchez les surfaces chaudes.
10. Ne placez pas cet appareil sur ou près d'un brûleur à gaz chaud ou électrique, ni dans un four chauffé.
11. Soyez extrêmement prudent lorsque vous déplacez un appareil contenant de l'huile chaude ou d'autres liquides chauds.
12. Branchez toujours d'abord la fiche à l'appareil, puis branchez le cordon dans la prise murale. Pour débrancher l'appareil, mettez l'une des commandes sur « arrêt », puis retirez la fiche de la prise murale.
13. N'utilisez pas l'appareil à des fins autres que celles prévues.
14. Cet appareil peut être utilisé par des enfants âgés de 8 ans et plus et par des personnes ayant des capacités physiques, sensorielles ou mentales réduites ou un manque d'expérience et de connaissances si elles ont reçu une supervision ou des

instructions concernant l'utilisation de l'appareil de manière sûre et comprennent les dangers encourus. Les enfants ne doivent pas jouer avec l'appareil. Le nettoyage et l'entretien de l'utilisateur ne doivent pas être effectués par les enfants à moins qu'ils ne soient âgés de plus de 8 ans et supervisés.

15. Gardez l'appareil et son cordon hors de portée des enfants de moins de 8 ans.

16. Les appareils ne sont pas destinés à être actionnés au moyen d'une minuteur externe ou d'un système de télécommande séparé.

### DONNÉES TECHNIQUES:

-----Voltage: 220-240V ~ 50 / 60Hz

-----Puissance :1700 W

-----Capacité du Cuve: 6,5 L

-----Température réglable: 80 °C à 200 °C

-----Minuteur: 0 à 60 min

### DESCRIPTION GÉNÉRALE (Fig.1)

- |  |                                   |
|--|-----------------------------------|
| 1. Orifice                               | 2. Panneau de commande            |
| 3. Sur la coque                          | 4. Couvercle décoratif de panneau |
| 5. Boîtier principal                     | 6. Grille                         |
| 7. Cuve                                  | 8. Panneau de tiroir              |
| 9. Poignée de Cuve                       | 10. Couvercle inférieure          |
| 11. Coque avant du tiroir                | 12. Sortie d'air                  |
| 13. Cordon principal (cordon électrique) |                                   |

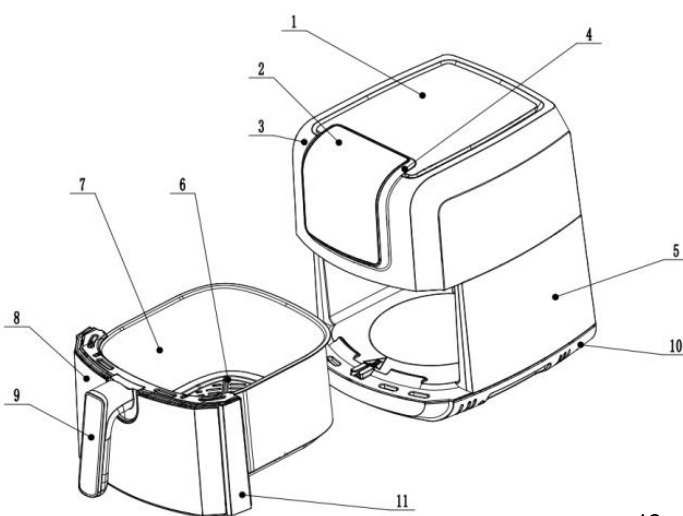


Fig.1

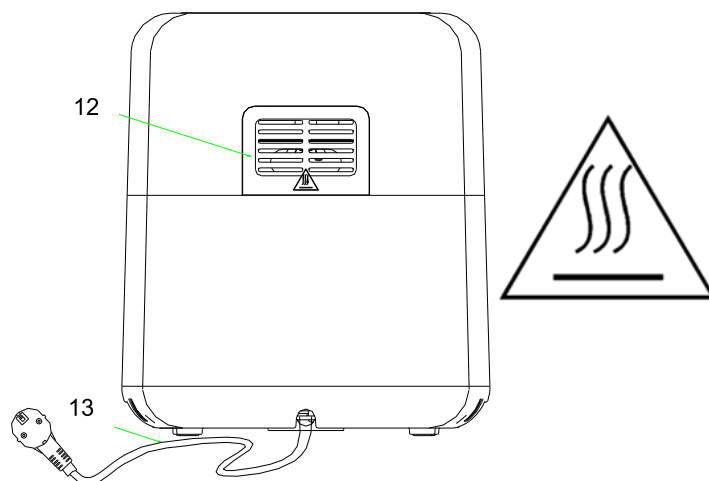


Fig.2

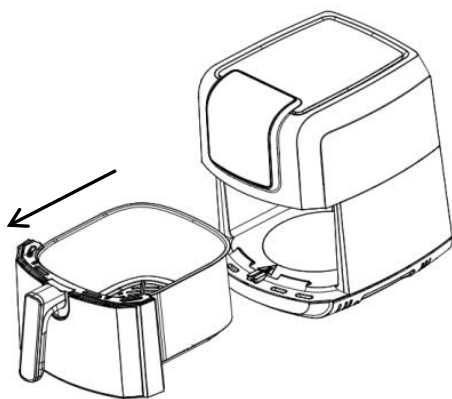


Fig.3

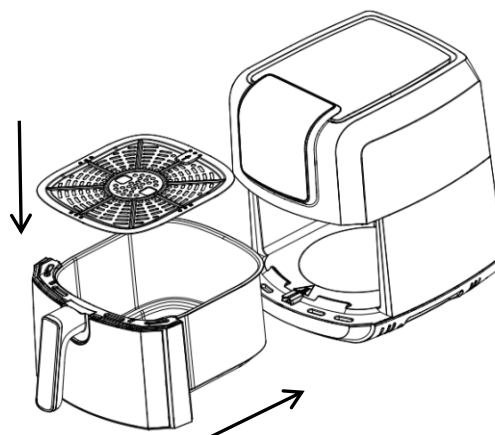


Fig.4

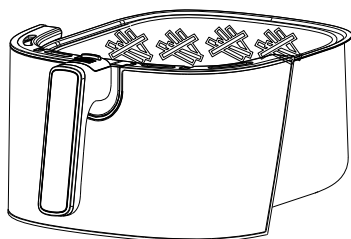


Fig.5

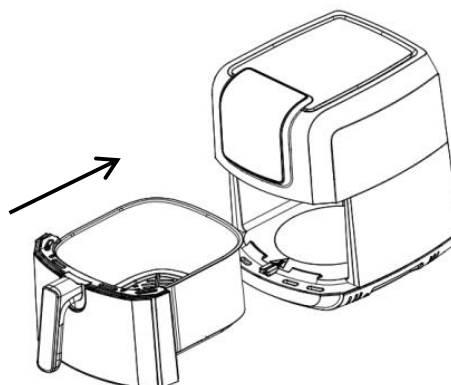


Fig.6

**Important!****Danger**

- Cet appareil peut être utilisé par des enfants à partir de 8 ans et des personnes ayant des capacités physiques, sensorielles ou mentales réduites ou un manque d'expérience et de connaissances s'ils ont reçu une supervision ou des instructions concernant l'utilisation de l'appareil en toute sécurité et s'ils comprennent les risques encourus. Les enfants ne doivent pas jouer avec l'appareil. Les enfants ne doivent pas jouer avec l'appareil. Le nettoyage et l'entretien par l'utilisateur ne doivent pas être effectués par des enfants, sauf s'ils ont plus de 8 ans et sont surveillés.
- Gardez l'appareil et son cordon hors de portée des enfants de moins de 8 ans.
- N'immergez jamais le boîtier, qui contient des composants électriques et les éléments chauffants, dans l'eau ni le rincer sous le robinet.
- Ne laissez pas d'eau ou d'autre liquide pénétrer dans l'appareil pour éviter les chocs électriques.
- Mettez toujours mettre les ingrédients à frire dans le cuve, pour éviter qu'ils n'entrent en contact avec les éléments chauffants.
- Ne couvrez pas l'entrée d'air et les orifices de sortie d'air pendant le fonctionnement de l'appareil.
- Ne remplissez pas le cuve d'huile car cela pourrait provoquer un risque d'incendie.
- Ne touchez jamais l'intérieur de l'appareil pendant son fonctionnement
- La température des surfaces accessibles peut être élevée lorsque l'appareil fonctionne.

**AVERTISSEMENT**

- Vérifiez que la tension indiquée sur l'appareil correspond à la tension du secteur local.
- N'utilisez pas l'appareil si la fiche, le cordon d'alimentation ou d'autres pièces sont endommagés.

- Ne vous adressez pas à une personne non autorisée pour remplacer ou réparer le cordon d'alimentation endommagé.
  - Éloignez le cordon d'alimentation des surfaces chaudes.
  - Ne branchez pas l'appareil et n'utilisez pas le panneau de commande avec des mains mouillées.
  - Ne placez pas l'appareil contre un mur ou contre d'autres appareils. Laissez au moins 10 cm d'espace libre à l'arrière et sur les côtés et 10 cm d'espace libre au-dessus de l'appareil.
  - Ne placez rien sur le dessus de l'appareil.
  - N'utilisez pas l'appareil à d'autres fins que celles décrites dans ce manuel.
  - Ne laissez pas l'appareil fonctionner sans surveillance.
  - Pendant la friture à l'air chaud, de la vapeur chaude est libérée par les orifices de sortie d'air. Gardez vos mains et votre visage à une distance sûre de la vapeur et des orifices de sortie d'air.
- Faites également attention à la vapeur et à l'air chauds lorsque vous retirez le panier de l'appareil.
- Toutes les surfaces accessibles peuvent devenir chaudes pendant l'utilisation (Fig.2).
  - Débranchez immédiatement l'appareil si vous voyez de la fumée noire s'échapper de l'appareil. Attendez que l'émission de fumée s'arrête avant de retirer la casserole de l'appareil.

### Mise en garde

- Veillez à ce que l'appareil est placé sur une surface horizontale, plane et stable.
- Cet appareil est conçu pour un usage domestique uniquement. Il peut ne pas convenir pour être utilisé en toute sécurité dans des environnements tels que les cuisines du personnel, les fermes, les motels et autres environnements non résidentiels. Il n'est pas non plus destiné à être utilisé par des clients dans des hôtels, des motels, des chambres d'hôtel et d'autres environnements résidentiels.
- Si l'appareil est utilisé de manière inappropriée ou à des fins professionnelles ou semi-professionnelles ou s'il n'est pas utilisé conformément aux instructions du manuel d'utilisation, la garantie devient caduque, et nous pourrions décliner toute responsabilité pour les dommages causés.
- Débranchez toujours l'appareil lorsque vous ne l'utilisez pas.
- L'appareil a besoin d'environ 30 minutes de refroidissement pour être manipulé ou nettoyé en toute sécurité.

### Avant la première utilisation

1. Retirez tout le matériel d'emballage.
2. Retirez tous les autocollants ou étiquettes de l'appareil.
3. Nettoyez soigneusement le cuve avec de l'eau chaude, un peu de liquide vaisselle et une éponge non abrasive.
4. Essuyez à l'intérieur et à l'extérieur de l'appareil avec un chiffon humide.

**Il s'agit d'une friteuse sans huile qui fonctionne à l'air chaud, ne remplissez pas directement le cuve d'huile ou de graisse de friture.**

### Préparation à l'utilisation

1. Placez l'appareil sur une surface stable, horizontale et plane.  
**Ne placez pas l'appareil sur une surface non résistante à la chaleur.**
2. Veuillez mettre le plateau à cuisson dans la cuve (Fig.4).  
**Ne remplissez pas le cuve d'huile ou de tout autre liquide.**  
**Ne mettez rien sur le dessus de l'appareil, le flux d'air sera perturbé et affectera le résultat de la friture à l'air chaud.**



## UTILISATION DE L'APPAREIL

L'appareil sans huile permet de préparer une large gamme d'ingrédients.

### Friture à l'air chaud

1. Branchez la fiche secteur dans une prise murale mise à la terre.
2. Retirez délicatement la cuve de la friteuse à air chaud (Fig.3).
3. Mettez les ingrédients dans le cuve. (Fig.5)
4. Remettez la cuve dans la friteuse (Fig. 6).

**En prenant soin de bien aligner la cuve avec les glissières- guides situés dans le corps de la friteuse.**

**Attention: Ne touchez pas le cuve pendant et après l'utilisation, car il fait très chaud. Ne tenez la cuve que par la poignée.**

5. Déterminez le temps de préparation requis pour l'ingrédient (voir la section "Paramètres" de ce chapitre).
6. Certains ingrédients doivent être secoués à la moitié du temps de préparation (voir la section "Réglages" de ce chapitre). Pour secouer les ingrédients, retirez la cuve de l'appareil par la poignée et secouez-le. Remettez ensuite la cuve dans la friteuse.

**Conseil:** si vous réglez le minuteur sur la moitié du temps de préparation, vous entendez la buzzer du minuteur lorsque vous devez secouer les ingrédients. Cependant, cela signifie que vous devez régler à nouveau la minuteur sur le temps de préparation restant après avoir secoué les ingrédients.

7. Lorsque vous entendez le buzzer de la minuteur, le temps de préparation défini s'est écoulé. Retirez la cuve de l'appareil

**Note:** Vous pouvez également désactiver l'appareil manuellement. Pour ce faire, réglez l'heure sur 1.

8. Vérifiez si les ingrédients sont prêts.

Si les ingrédients ne sont pas encore prêts, il suffit de glisser la cuve dans l'appareil et de régler la minuteur sur quelques minutes supplémentaires.

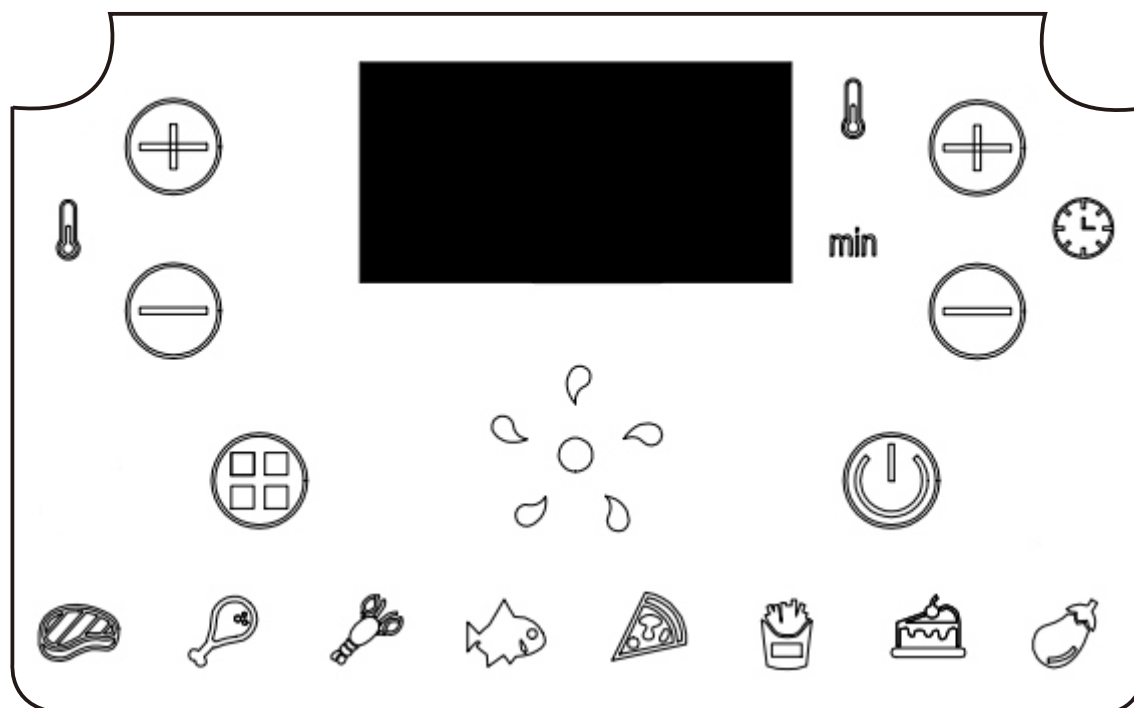
9. Pour enlever les ingrédients (p. ex. frites), retirez la cuve de la friteuse à air chaud et placez-le sur le cadre d'essai.


**Ne retournez pas le cuve avec attaché à celui-ci, car tout excès d'huile qui s'est accumulé au fond de la casserole s'écoulera sur les ingrédients.**

**Le cuve et les ingrédients sont chauds. Selon le type d'ingrédients dans la friteuse à air, la vapeur peut s'échapper de la cuve.**

10. Videz le panier dans une cuve ou sur une assiette.
11. Lorsqu'un lot d'ingrédients est prêt, la friteuse à air chaud est instantanément prête pour préparer un autre lot.


## INSTRUCTIONS DU PANNEAU DE COMMANDE


**Instructions d'utilisation:**


Touche  – Touche d'alimentation

Une fois que le le cuve sont correctement placés dans le boîtier principal, le témoin d'alimentation s'allumera. Sélectionnez la touche d'Alimentation pendant 3 secondes, la température par défaut de l'appareil sera de 200° C, tandis que le temps de cuisson sera réglé sur 15 minutes. La sélection de la touche d'alimentation une seconde fois lancera le processus de cuisson. Appuyez sur la touche d'Alimentation pendant 3 secondes. Le témoin ARRÊT et le témoin du ventilateur s'affichent pendant 20 secondes; Tous les témoins s'éteignent; le ventilateur cesse de fonctionner.



Note: Pendant la cuisson, vous pouvez appuyer sur les touches pour contrôler la pause et le démarrage de la cuisson.

Touche  – Touche de pré réglage

La sélection de la touche  de pré réglage vous permet de faire défiler les 8 choix alimentaires populaires. Une fois sélectionné, la fonction pré réglage de temps et de température de cuisson commence.

Côté gauche de de la  zone panneau de commande, Touche  et Touche   
-Touches de contrôle de température

La sélection des symboles touche  et touche  vous permet de régler ou de diminuer la température de cuisson de 5°C à la fois. Maintenez la touche changera rapidement la température. Plage de contrôle de la température : 80°C-200°C.

Côté droit de la zone du panneau de commande ; **min** La sélection des symboles touche  et touche  vous permet d'ajouter ou de réduire le temps de cuisson, une minute à la fois. Maintenir la touche changera rapidement l'heure, Maximum 60 minutes;

Voyant lumineux “” Témoin de ventilateur;

Voyant lumineux rouge “” Témoin de chauffage;

Côté droit du voyant lumineux du panneau de commande “” Indicateur de température;

Voyant lumineux “**min**” témoin de minuteur;

Voyant lumineux “       ” témoin de recettes

### Paramètres









Ce tableau ci-dessous vous aidera à sélectionner les paramètres de base pour les ingrédients.

Note : Rappelez -vous que ces réglages sont des indications. Les ingrédients diffèrent par l'origine, la taille, la forme ainsi que la marque, nous ne pouvons pas garantir le meilleur réglage pour vos ingrédients.

Comme la technologie Rapid Air réchauffe instantanément l'air à l'intérieur de l'appareil, tirer brièvement la cuve de l'appareil pendant la friture à air chaud perturbe à peine le processus.

### Conseils

- Les ingrédients plus petits nécessitent généralement un temps de préparation légèrement plus court que les ingrédients plus gros.
- Une plus grande quantité d'ingrédients ne nécessite qu'un temps de préparation légèrement plus long, une plus petite quantité d'ingrédients ne nécessite qu'un temps de préparation légèrement plus court.
- Secouez les petits ingrédients à la moitié du temps de préparation optimise le résultat final et peut aider à éviter que les ingrédients ne soient frits de manière inégale.
- Ajoutez un peu d'huile aux pommes de terre fraîches pour obtenir un résultat croustillant. Faites frire vos ingrédients dans la friteuse à air chaud quelques minutes après avoir ajouté l'huile.
- Ne préparez pas d'ingrédients extrêmement gras tels que des saucisses dans la friteuse à air chaud.
- Les collations qui peuvent être préparées dans un four peuvent également être préparées dans la friteuse à air chaud
- La quantité optimale pour préparer des frites croustillantes est de 500 grammes.
- Utilisez de la pâte préfabriquée pour préparer des snacks fourrés rapidement et facilement. La pâte préfabriquée nécessite également un temps de préparation plus court que la pâte faite maison.
- Placez une boîte de cuisson ou un plat au four dans le panier de friteuse à air chaud si vous voulez faire cuire un gâteau ou une quiche ou si vous voulez faire frire des ingrédients fragiles ou des ingrédients fourrés
- Vous pouvez également utiliser la friteuse à air chaud pour réchauffer les ingrédients. Pour réchauffer les ingrédients, réglez la température à 150°C jusqu'à 10 minutes.

									
Par défaut	Température (°C)	180	180	180	180	160	200	160	160
	Temps (min)	16	25	12	18	17	17	25	17
Gamme	Température (°C)	80-200	80-200	80-200	80-200	80-200	80-200	80-200	80-200
	Temps (min)	1-60	1-60	1-60	1-60	1-60	1-60	1-60	1-60
Min - max(g)		100-600	100-500	100-500	100-500	100-500	100-500	100-500	100-500

## Nettoyage

Nettoyez l'appareil après chaque utilisation.

**Cuve. N'utilisez pas d'ustensiles de cuisine en métal ou de produits de nettoyage abrasifs pour les nettoyer, car cela pourrait endommager le revêtement antiadhésif.**

1. Retirez la fiche secteur de la prise murale et laissez l'appareil refroidir.

Note: Retirez la cuve pour laisser la friteuse à air chaud refroidir plus rapidement.

2. Essuyez l'extérieur de l'appareil avec un chiffon humide.

3. Nettoyez la cuve l'eau chaude, un peu de liquide vaisselle et une éponge non abrasive.

Vous pouvez utiliser du liquide dégraissant pour enlever toute saleté restante.

**Conseil:** Si la saleté est collée au fond du cuve, remplissez la cuve avec de l'eau chaude avec un peu de liquide vaisselle. Mettez le cuve tremper pendant environ 10 minutes.

4. Nettoyez l'intérieur de l'appareil avec de l'eau chaude et une éponge non abrasive.

5. Nettoyez l'élément chauffant avec une brosse de nettoyage pour éliminer les résidus alimentaires.

## Stockage

1. Débranchez l'appareil et laissez-le refroidir.

2. Veillez à ce que toutes les pièces sont propres et sèches.

## Environnement


Ne jetez pas l'appareil avec les déchets ménagers normaux lorsqu'il est épuisé, mais déposez-le dans une pointe de collecte officiel pour qu'il soit recyclé. Vous contribuerez ainsi à la préservation de l'environnement.

## Dépannage

Problème	Cause possible	Solution
La friteuse à air chaud ne fonctionne pas	L'appareil n'est pas branché.	Branchez la fiche secteur dans une prise murale mise à la terre.
	Ne réglez pas la minuterie.	Réglez la touche de minuteur sur le temps de préparation requis pour allumer l'appareil
Les ingrédients frits avec la friteuse à air ne sont pas cuits.	La quantité d'ingrédients dans le cuve est trop grande.	Mettez de plus petits lots d'ingrédients dans le cuve. Les petits lots sont frits plus uniformément.
	La température de réglage est trop basse.	Réglez la touche de température sur la température souhaitée (voir le paragraphe "Réglages" du chapitre "Utilisation de l'appareil").
	Le temps de préparation est trop court.	Réglez le minuteur sur le temps de préparation requis (voir la section "Réglages" du chapitre "Utilisation de l'appareil").
Les ingrédients sont frits de manière inégale dans la friteuse à air.	Certains types d'ingrédients doivent être secoués à la moitié du temps de préparation.	Les ingrédients superposés ou croisés (par exemple, les frites) doivent être secoués à la moitié du temps de préparation. Voir la section "Réglages" du chapitre "Utilisation de l'appareil"
Les collations frites ne sont pas croustillantes lorsqu'elles sortent de la friteuse.	Vous avez utilisé un type de collations destinées à être préparées dans une friteuse traditionnelle.	Utilisez des collations au four ou badigeonnez légèrement d'huile les collations pour un résultat plus croustillant.
On ne peut pas glisser la cuve dans l'appareil correctement.	Il y a trop d'ingrédients dans le cuve.	Ne remplissez pas le cuve au-delà de l'indication MAX.
	Le cuve n'est pas placé correctement.	Poussez à nouveau le panier dans le bon sens.


Une fumée blanche s'échappe de l'appareil.	Vous préparez des ingrédients gras.	Lorsque vous faites frire des ingrédients gras dans la friteuse à air, une grande quantité d'huile s'échappera dans la cuve. L'huile produit de la fumée blanche et le cuve peut chauffer plus que d'habitude. Cela n'affecte pas la solution matérielle-logicielle ni le résultat final.
	La cuve contient encore des résidus de graisse provenant d'une utilisation antérieure.	La fumée blanche est causée par le réchauffement de la graisse dans la cuve. Assurez-vous de nettoyer la cuve correctement après chaque utilisation.
Les frites fraîches sont frites de manière inégale dans la friteuse à air.	Vous n'avez pas utilisé le bon type de pomme de terre.	Utilisez des pommes de terre fraîches et assurez-vous qu'elles restent fermes pendant la friture.
	Vous n'avez pas rincé correctement les bâtonnets de pommes de terre avant de les faire frire.	Rincez correctement les bâtonnets de pommes de terre pour enlever l'amidon de l'extérieur des bâtonnets.
Les frites fraîches ne sont pas croustillantes lorsqu'elles sortent de la friteuse.	Le croustillant des frites dépend de la quantité d'huile et d'eau dans les frites.	Assurez-vous de bien sécher les bâtonnets de pommes de terre avant d'ajouter l'huile.
		Coupez les bâtonnets de pommes de terre plus petits pour un résultat plus croustillant.
		Ajoutez un peu plus d'huile pour un résultat plus croustillant.

## Élimination correcte de ce produit

	<p>Ce marquage indique que ce produit ne doit pas être éliminé avec d'autres déchets ménagers dans l'ensemble de l'UE. Pour prévenir d'éventuels dommages à l'environnement ou à la santé humaine dus à l'élimination incontrôlée des déchets, recyclez-les de manière responsable afin de promouvoir la réutilisation durable des ressources matérielles. Pour retourner votre appareil usagé, veuillez utiliser les systèmes de retour et de collecte ou contacter le détaillant où le produit a été acheté. Ils peuvent prendre ce produit pour un recyclage respectueux de l'environnement.</p>
---	---

## \* Description de l'erreur : "E1" La CTN se détache ou est endommagée

Si vous avez la moindre question, veuillez contacter notre centre d'assistance à la clientèle. Nos coordonnées sont les suivantes:

 0033-1-84166106

 aosom@mhfrance.fr

ADRESSE D'IMPORTATION:

MH FRANCE

2 Rue Maurice Hartmann

92130 Issy Les Moulineaux

France

FABRIQUÉ EN CHINE

## EINFÜHRUNG

Diese Heißluftfritteuse bietet eine einfache und gesunde Möglichkeit, Ihre Lieblingszutaten zuzubereiten. Durch die schnelle Heißluftzirkulation und den oberen Grill können zahlreiche Gerichte zubereitet werden. Das Beste daran ist, dass die Heißluftfritteuse Speisen in alle Richtungen erhitzt und die meisten Zutaten kein Öl benötigen.

## BEWAHREN SIE DIESE ANWEISUNGEN AUF

Dieses Gerät ist für die Verwendung im Haushalt und ähnlichen Anwendungen vorgesehen, wie z. B.:

- Personalküchenbereiche in Geschäften, Büros und anderen Arbeitsumgebungen;
- Bauernhöfe;
- Von Kunden in Hotels, Motels und anderen wohnungsähnlichen Umgebungen;
- Übernachtung mit Frühstück-Unterkünften.

## WICHTIGE SICHERHEITSVORKEHRUNGEN

Bei der Verwendung elektrischer Geräte sollten immer grundlegende Sicherheitsmaßnahmen beachtet werden, darunter die folgenden:

1. Lesen Sie alle Anweisungen durch.
2. Berühren Sie keine heißen Oberflächen.
3. Zum Schutz vor Stromschlägen dürfen Kabel, Stecker oder Sockel nicht in Wasser oder andere Flüssigkeiten getaucht werden.
4. **WARNUNG:** Dieses Elektrogerät enthält eine Heizfunktion. Oberflächen, auch solche, die sich von den Funktionsflächen unterscheiden, können hohe Temperaturen entwickeln. Da Temperaturen von verschiedenen Personen unterschiedlich wahrgenommen werden, ist dieses Gerät mit **VORSICHT** zu verwenden. Das Gerät darf nur an den dafür vorgesehenen Griffen und Greifflächen angefasst werden, und es ist ein Hitzeschutz wie Handschuhe oder ähnliches zu verwenden. Oberflächen, die nicht zum Greifen vorgesehen sind, müssen ausreichend Zeit zum Abkühlen erhalten, bevor sie berührt werden.
5. Ziehen Sie den Stecker aus der Steckdose, wenn Sie das Gerät nicht benutzen und bevor Sie es reinigen. Lassen Sie es abkühlen, bevor Sie Teile anbringen oder abnehmen.
6. Typ Y: Wenn das Stromkabel beschädigt ist, muss es durch den Hersteller, seinen Kundendienst oder ähnlich qualifizierte Personen ersetzt werden, um eine Gefährdung zu vermeiden.
7. Die Verwendung von Zubehörteilen, die nicht vom Gerätehersteller empfohlen werden, kann zu Verletzungen verursachen.
8. Nicht im Freien verwenden
9. Lassen Sie das Kabel nicht über die Tischkante oder den Tresen hängen und keine heißen Oberflächen berühren.
10. Stellen Sie das Gerät nicht auf oder in die Nähe eines heißen Gas- oder Elektrobrenners oder in einen beheizten Ofen.
11. Äußerste Vorsicht ist geboten beim Bewegen eines Geräts, das heißes Öl oder andere heiße Flüssigkeiten enthält.
12. Stecken Sie immer zuerst den Stecker in das Gerät und dann das Kabel in die Steckdose. Um das Gerät auszuschalten, drehen Sie einen der Regler auf „Aus“ und ziehen Sie dann den Stecker aus der Wandsteckdose.
13. Verwenden Sie das Gerät nicht für einen anderen als den vorgesehenen Gebrauch.
14. Dieses Gerät kann von Kindern ab 8 Jahren und Personen mit eingeschränkten körperlichen, sensorischen oder geistigen Fähigkeiten oder mangelnder Erfahrung und Kenntnissen nur verwendet werden, wenn sie beaufsichtigt oder in die sichere Verwendung des Geräts eingewiesen wurden und die damit verbundenen Gefahren



verstehen. Kinder dürfen nicht mit dem Gerät spielen. Reinigung und Wartung durch den Benutzer dürfen nicht von Kindern vorgenommen werden, es sei denn, sie sind älter als 8 Jahre und werden beaufsichtigt.

15. Bewahren Sie das Gerät und sein Kabel außerhalb der Reichweite von Kindern unter 8 Jahren auf.
16. Die Geräte sind nicht für den Betrieb mit einem externen Timer oder einem separaten Fernbedienungssystem vorgesehen.

**TECHNISCHE DATEN:**

- Spannung: 220-240 V ~50/60 Hz
- Wattleistung: 1700 W
- Fassungsvermögen des Topf: 6,5 L
- Einstellbare Temperatur: 80°C-200°C/(175-400°F)
- Zeitschaltuhr: 0-60 Minuten.

**ALLGEMEINE BESCHREIBUNG (Abb. 1)**

- |                                 |  |
|---------------------------------|--|
| 1. Kappe                        | 2. Bedienfeld                            |
| 3. Auf dem Gehäuse              | 4. Dekorative Abdeckung der Bedienfläche |
| 5. Haupteinheit                 | 6. Gestell                               |
| 7. Topf                         | 8. Schubladenabdeckung                   |
| 9. Topf griff                   | 10. Untere Abdeckung                     |
| 11. Vordergehäuse der Schublade | 12. Luftauslass                          |
| 13. Hauptkabel (Stromkabel)     |  |

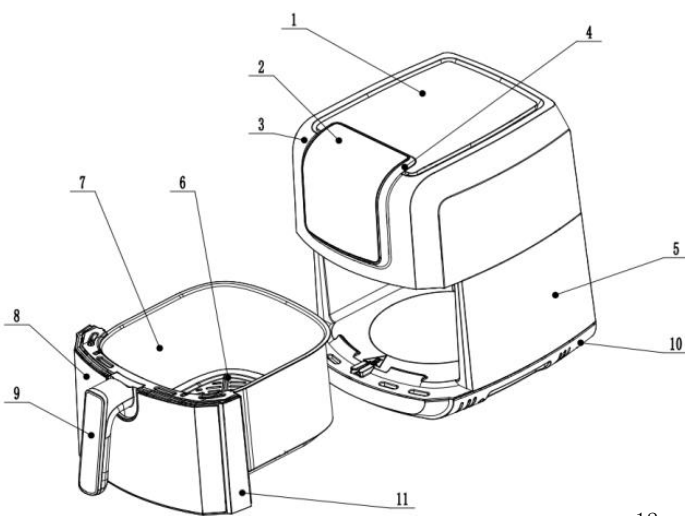


Abb.1

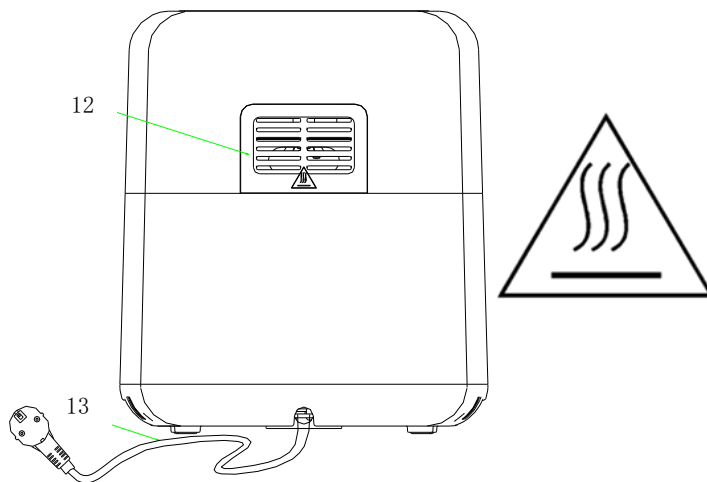


Abb . 2

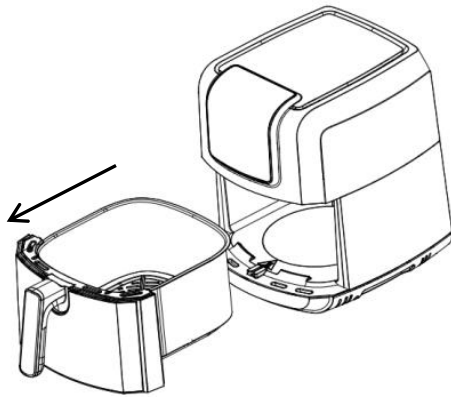


Abb. 3

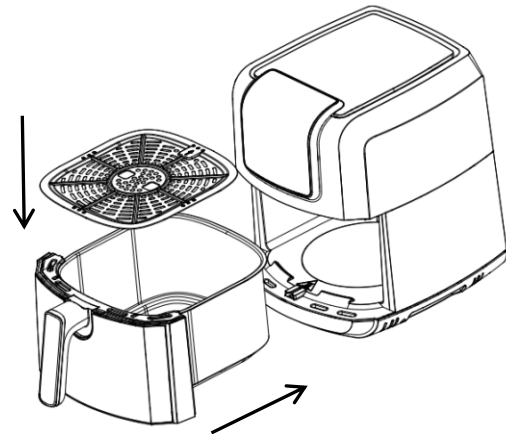


Abb. 4

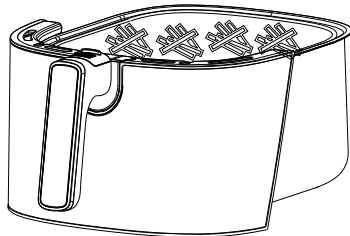


Abb. 5

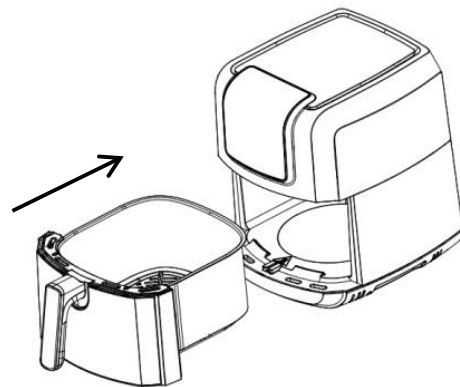


Abb. 6

### Wichtig! Gefahr

- Dieses Gerät kann von Kindern ab 8 Jahren und darüber, sowie von Personen mit verringerten physischen, sensorischen oder mentalen Fähigkeiten oder Mangel an Erfahrung und Wissen nur benutzt werden, wenn sie beaufsichtigt oder bezüglich des sicheren Gebrauchs des Geräts unterwiesen wurden und die daraus entstehenden Gefahren verstehen. Kinder dürfen nicht mit dem Gerät spielen. Die Reinigung und Benutzerwartung dürfen nicht von Kindern durchgeführt werden, es sei denn, sie sind älter als 8 Jahre und werden beaufsichtigt.
- Bewahren Sie das Gerät und sein Kabel außerhalb der Reichweite von Kindern unter 8 Jahren auf.
- Tauchen Sie das Gehäuse, in dem sich die elektrischen Bauteile und die Heizelemente befinden, niemals in Wasser ein und spülen Sie es nicht unter dem Wasserhahn ab.
- Lassen Sie kein Wasser oder andere Flüssigkeiten in das Gerät eindringen, um einen elektrischen Schlag zu vermeiden.
- Legen Sie die zu frittierenden Zutaten immer in den Topf, damit sie nicht mit den Heizelementen in Berührung kommen.
- Decken Sie die Lufteinlass- und Luftauslassöffnungen nicht ab, während das Gerät in Betrieb ist.
- Füllen Sie den Topf nicht mit Öl, da dies eine Brandgefahr darstellt.
- Berühren Sie niemals das Innere des Geräts, während es in Betrieb ist.
- Die Temperatur der zugänglichen Oberflächen kann hoch sein, wenn das Gerät in Betrieb ist.

### WARNUNG

- Prüfen Sie, ob die auf dem Gerät angegebene Spannung mit der örtlichen Netzspannung übereinstimmt.
- Benutzen Sie das Gerät nicht, wenn der Stecker, das Stromkabel oder andere Teile beschädigt sind.

- Wenden Sie sich nicht an Unbefugte, um ein beschädigtes Stromkabel zu ersetzen oder zu reparieren.
- Halten Sie das Netzkabel von heißen Oberflächen fern.
- Schließen Sie das Gerät nicht mit nassen Händen an und bedienen Sie das Bedienfeld nicht mit nassen Händen.
- Stellen Sie das Gerät nicht gegen eine Wand oder gegen andere Geräte. Lassen Sie mindestens 10 cm Freiraum an der Rückseite und den Seiten und 10 cm Freiraum über dem Gerät.
- Stellen Sie keine Gegenstände auf das Gerät.
- Verwenden Sie das Gerät nicht für einen anderen Zweck als in dieser Anleitung beschrieben.
- Lassen Sie das Gerät nicht unbeaufsichtigt laufen.
- Beim Heißluftfrittieren wird heißer Dampf durch die Luftaustrittsöffnungen freigesetzt. Halten Sie Ihre Hände und Ihr Gesicht in einem sicheren Abstand zum Dampf und zu den Luftaustrittsöffnungen.
- Achten Sie auch auf den heißen Dampf und die Luft, wenn Sie den Topf aus dem Gerät nehmen.
- Alle zugänglichen Oberflächen können während des Gebrauchs heiß werden (Abb. 2).
- Trennen Sie sofort den Netzstecker, wenn Sie dunklen Rauch aus dem Gerät kommen sehen. Warten Sie, bis die Rauchentwicklung aufhört, bevor Sie den Topf aus dem Gerät nehmen.

### **Vorsicht**

- Achten Sie darauf, dass das Gerät auf einer horizontalen, ebenen und stabilen Fläche steht.
- Dieses Gerät ist nur für den Hausgebrauch bestimmt. Es ist möglicherweise nicht geeignet, um in Umgebungen wie Personalküchen, Bauernhöfen, Motels und anderen Nicht-Wohnumgebungen sicher verwendet zu werden. Es ist auch nicht für die Verwendung durch Kunden in Hotels, Motels, Pensionen und anderen Wohnumgebungen vorgesehen.
- Wenn das Gerät unsachgemäß oder für gewerbliche oder semi-gewerbliche Zwecke verwendet wird oder wenn es nicht gemäß den Anweisungen in der Bedienungsanleitung benutzt wird, erlischt die Garantie und wir können jegliche Haftung für verursachte Schäden ablehnen.
- Ziehen Sie immer den Netzstecker, wenn Sie das Gerät nicht benutzen.
- Das Gerät muss ca. 30 Minuten abkühlen, damit es sicher gehandhabt oder gereinigt werden kann.

### **Vor der ersten Verwendung**

1. Entfernen Sie alle Verpackungsmaterialien.
  2. Entfernen Sie alle Aufkleber oder Etiketten vom Gerät.
  3. Reinigen Sie den Topf gründlich mit heißem Wasser, etwas Spülmittel und einem nicht scheuernden Schwamm.
  4. Wischen Sie das Gerät innen und außen mit einem feuchten Tuch ab.
- Dies ist eine ölfreie Fritteuse, die mit Heißluft arbeitet. Füllen Sie kein Öl oder Frittierfett direkt in den Topf.

### **Vorbereitung für die Verwendung**

1. Stellen Sie das Gerät auf eine stabile, horizontale und ebene Fläche.  
Stellen Sie das Gerät nicht auf eine nicht hitzebeständige Oberfläche.
2. Setzen Sie den Rost in den Topf ein (Abb. 4).  
Füllen Sie kein Öl oder eine andere Flüssigkeit in den Topf.  
Legen Sie keine Gegenstände auf das Gerät, da sonst der Luftstrom unterbrochen wird und das Ergebnis des Heißluftfrittierens beeinträchtigt wird.

## VERWENDUNG DES GERÄTS

Das ölfreie Gerät kann eine große Anzahl von Zutaten zubereiten.

Heißluftfrittieren

1. Stecken Sie den Netzstecker in eine geerdete Wandsteckdose.
2. Ziehen Sie den Topf vorsichtig aus der Heißluftfritteuse (Abb. 3)
3. Legen Sie die Zutaten in den Topf . (Abb. 5)
4. Schieben Sie den Topf zurück in die Heißluftfritteuse (Abb. 6)

Achten Sie darauf, dass Sie ihn sorgfältig an den Führungen im Gehäuse der Fritteuse ausrichten.

**Verwenden Sie den Topf niemals ohne den Korb darin befestigt zu haben.**

**Vorsicht! Berühren Sie den Topf während und nach dem Gebrauch nicht, da er sehr heiß wird. Halten Sie den Topf nur am Griff fest.**

5. Bestimmen Sie die erforderliche Zubereitungszeit für die Zutat (siehe Abschnitt „Einstellungen“ in diesem Kapitel).
6. Einige Zutaten müssen nach der Hälfte der Garzeit geschüttelt werden (siehe Abschnitt „Einstellungen“ in diesem Kapitel). Um die Zutaten zu schütteln, ziehen Sie den Topf am Griff aus dem Gerät und schütteln ihn. Schieben Sie den Topf dann zurück in die Fritteuse.

***Tipp:** Wenn Sie den Timer auf die Hälfte der Zubereitungszeit eingestellt haben, hören Sie den Timer-Summer, wenn Sie die Zutaten schütteln müssen. Dies bedeutet jedoch, dass Sie den Timer nach dem Schütteln erneut auf die verbleibende Zubereitungszeit einstellen müssen.*

7. Wenn Sie den Timer-Summer hören, ist die eingestellte Garzeit verstrichen. Ziehen Sie den Topf aus dem Gerät

Hinweis: Sie können das Gerät auch manuell ausschalten. Stellen Sie dazu die Zeit auf 1.

8. Prüfen Sie, ob die Zutaten bereit sind.

Wenn die Zutaten noch nicht fertig sind, schieben Sie den Topf einfach wieder in das Gerät und stellen den Timer auf ein paar Minuten mehr ein.

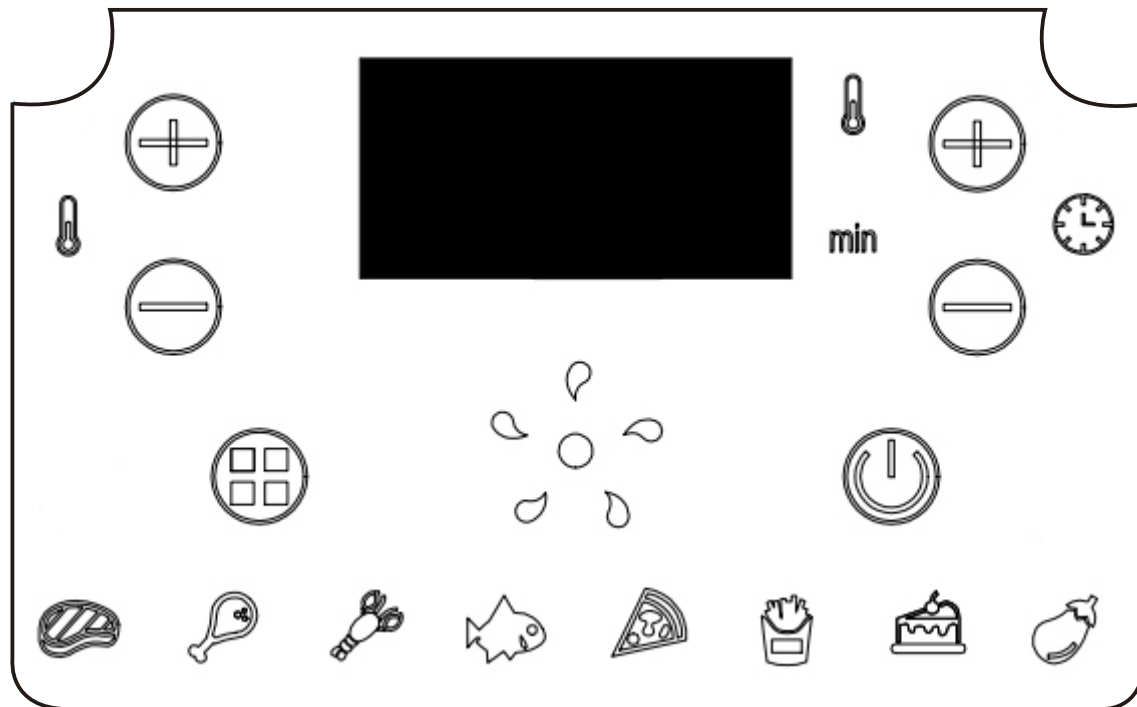
9. Um Zutaten (z. B. Pommes frites) zu entnehmen, ziehen Sie den Topf aus der Heißluftfritteuse heraus und stellen ihn auf ein Testgestell.


**Drehen Sie den Topf nicht auf den Kopf, wenn der Topf noch daran befestigt ist, da sonst überschüssiges Öl, das sich auf dem Topfboden gesammelt hat, auf die Zutaten tropft.**

**Der Topf und die Zutaten heiß sind. Je nach Art der Zutaten in der Heißluftfritteuse kann Dampf aus dem Topf entweichen.**

10. Entleeren Sie den Topf in eine Schüssel oder auf einen Teller.
11. Wenn eine Charge von Zutaten fertig ist, ist die Heißluftfritteuse sofort für die Zubereitung einer weiteren Charge bereit.

## ANWEISUNGEN FÜR DAS BEDIENFELD


**Betriebsanweisungen:**




Taste  –Ein-/Aus-Taste

Sobald der Topf richtig in das Hauptgehäuse eingesetzt sind, leuchtet die Betriebsanzeige auf. Wenn Sie die Ein-/Aus-Taste 3 Sekunden lang drücken, wird das Gerät auf eine Standardtemperatur von 200°C eingestellt, während die Garzeit auf 15 Minuten festgelegt wird. Wenn Sie die Ein-/Aus-Taste ein zweites Mal drücken, wird der Garvorgang gestartet. Wenn Sie die Ein-/Aus-Taste 3 Sekunden lang drücken, wird das gesamte Gerät während des Garvorgangs geschlossen. Die AUS- und die Gebläseanzeige werden 20 Sekunden lang angezeigt; alle Lichter erlöschen; das Gebläse hört auf zu arbeiten.



Hinweis: Während des Garvorgangs können Sie die Tasten berühren, um die Pause und den Start des Garvorgangs zu steuern.

Taste  –Vorwahltaste


Durch Auswahl der Taste „“ Vorwahltaste können Sie durch die 8 beliebten Speisenauswahlen blättern. Nach der Auswahl beginnt die vorgegebene Zeit- und Gartemperaturfunktion.


Linke Seite des Bedienfelds  Bereich, Taste  & Taste   
Temperaturregelungstasten

Mit den Symbolen der Tasten  und  können Sie die Gartemperatur um jeweils 5°C erhöhen oder verringern. Wenn Sie die Taste gedrückt halten, ändert sich die Temperatur schnell. Temperaturregelbereich: 80°C bis 200°C.

Rechte Seite des Bedienfelds **min** Bereich; Mit den Symbolen der Tasten  und  können Sie die Garzeit um jeweils eine Minute verlängern oder verkürzen. Wenn Sie die Taste gedrückt halten, ändert sich die Zeit schnell, maximal 60 Minuten.

Anzeigelampe „“ Lüfter-Anzeige;

Rote Kontrollleuchte „“ Heizlampe;

Anzeigeleuchte auf der rechten Seite des Bedienfelds „“ Temperaturanzeige;

Anzeigelampe „**min**“ Timer-Anzeige;

Anzeigelampe „      “ Rezepturanzeige

## Einstellungen

Die nachstehende Tabelle hilft Ihnen bei der Auswahl der Grundeinstellungen für die Zutaten.









Hinweis: Beachten Sie, dass es sich bei diesen Einstellungen um Empfehlungen handelt. Da sich die Zutaten in Bezug auf Herkunft, Größe, Form sowie Marke unterscheiden, können wir nicht die beste Einstellung für Ihre Zutaten garantieren.

Da die Rapid Air Technologie die Luft im Gerät sofort wieder aufheizt, stört das kurze Herausziehen des Topfes aus dem Gerät während des Heißluftfritierens kaum den Ablauf.

## Tipps

- Kleinere Zutaten benötigen in der Regel eine etwas kürzere Zubereitungszeit als größere Zutaten.
- Eine größere Menge an Zutaten erfordert nur eine etwas längere Garzeit, eine kleinere Menge an Zutaten erfordert nur eine etwas kürzere Garzeit.
- Das Schütteln kleinerer Zutaten nach der Hälfte der Zubereitungszeit optimiert das Endergebnis und kann helfen, ungleichmäßig gebratene Zutaten zu vermeiden.
- Fügen Sie etwas Öl zu frischen Kartoffeln hinzu für ein knuspriges Ergebnis. Frittieren Sie Ihre Zutaten in der Heißluftfritteuse innerhalb weniger Minuten, nachdem Sie das Öl hinzugefügt haben.
- Bereiten Sie keine extrem fettigen Zutaten wie Würstchen in der Heißluftfritteuse zu.
- Snacks, die im Backofen zubereitet werden können, können auch in der Heißluftfritteuse zubereitet werden
- Die optimale Menge für die Zubereitung von knusprigen Pommes frites beträgt 500 Gramm.
- Verwenden Sie vorgefertigten Teig, um gefüllte Snacks schnell und einfach zuzubereiten. Vorgefertigter Teig benötigt auch eine kürzere Zubereitungszeit als selbstgemachter Teig.
- Legen Sie ein Backblech oder eine Auflaufform in den Korb der Heißluftfritteuse, wenn Sie einen Kuchen oder eine Quiche backen möchten oder wenn Sie zerbrechliche oder gefüllte Zutaten frittieren möchten.
- Sie können die Heißluftfritteuse auch zum Aufwärmen von Zutaten verwenden. Zum Aufwärmen von Zutaten stellen Sie die Temperatur auf 150 °C für bis zu 10 Minuten ein.



									
StandardEinstell	Temperatur (°C)	180	180	180	180	160	200	160	160
	Zeit (Min)	16	25	12	18	17	17	25	17
Bereich	Temperatur (°C)	80-200	80-200	80-200	80-200	80-200	80-200	80-200	80-200
	Zeit (Min)	1-60	1-60	1-60	1-60	1-60	1-60	1-60	1-60
Min-Max (g)		100-600	100-500	100-500	100-500	100-500	100-500	100-500	100-500

### Reinigung

Reinigen Sie das Gerät nach jedem Gebrauch.

**Topf. Verwenden Sie zur Reinigung keine Küchenutensilien aus Metall oder Scheuermittel, da dies die Antihafbeschichtung beschädigen kann.**

1. Trennen Sie den Netzstecker von der Steckdose und lassen Sie das Gerät abkühlen.

Hinweis: Nehmen Sie den Topf heraus, damit die Heißluftfritteuse schneller abkühlen kann.

2. Wischen Sie die Außenseite des Geräts mit einem feuchten Tuch ab.

3. Reinigen Sie den Topf mit heißem Wasser, etwas Spülmittel und einem nicht scheuernden Schwamm.

Sie können Entfettungsflüssigkeit verwenden, um restliche Verschmutzungen zu entfernen.

***Tip:*** Wenn Schmutz am Topfboden festsetzt, füllen Sie den Topf mit heißem Wasser und etwas Spülmittel. Lassen Sie den Topf etwa 10 Minuten einweichen.

4. Reinigen Sie das Innere des Geräts mit heißem Wasser und einem nicht scheuerndem Schwamm.

5. Reinigen Sie das Heizelement mit einer Reinigungsbürste, um Essensreste zu entfernen.

### Lagerung

1. Trennen Sie den Netzstecker des Geräts und lassen Sie es abkühlen.

2. Stellen Sie sicher, dass alle Teile sauber und trocken sind.

### Umwelt


Entsorgen Sie das Gerät nicht mit dem normalen Hausmüll, wenn es nicht mehr funktioniert, sondern geben Sie es bei einer offiziellen Sammelstelle zum Recycling ab. Auf diese Weise helfen Sie, die Umwelt zu schonen.



## Fehlersuche

Problem	Mögliche Ursache	Lösung
Die Heißluftfritteuse funktioniert nicht	Das Gerät ist nicht am Stromnetz angeschlossen.	Stecken Sie den Netzstecker in eine geerdete Wandsteckdose.
	Stellen Sie keinen Timer ein.	Stellen Sie die Timer-Taste auf die gewünschte Garzeit, um das Gerät einzuschalten.
Die mit der Heißluftfritteuse frittierten Zutaten sind nicht gar.	Die Menge der Zutaten im Topf ist zu groß.	Geben Sie kleinere Chargen von Zutaten in den Topf. Kleinere Chargen werden gleichmäßiger gebraten.
	Die eingestellte Temperatur ist zu niedrig.	Stellen Sie die Temperaturtaste auf die gewünschte Temperatureinstellung (siehe Abschnitt 'Einstellungen' im Kapitel 'Benutzung des Geräts').
	Die Vorbereitungszeit ist zu kurz.	Stellen Sie den Timer auf die gewünschte Zubereitungszeit ein (siehe Abschnitt 'Einstellungen' im Kapitel 'Benutzung des Geräts').
Die Zutaten werden in der Heißluftfritteuse ungleichmäßig frittiert.	Bestimmte Arten von Zutaten müssen nach der Hälfte der Zubereitungszeit geschüttelt werden.	Zutaten, die übereinander oder quer liegen (z. B. Pommes frites), müssen nach der Hälfte der Zubereitungszeit geschüttelt werden. Siehe Abschnitt 'Einstellungen' im Kapitel 'Benutzung des Geräts'.
Frittierte Snacks sind nicht knusprig, wenn sie der Heißluftfritteuse entnommen werden.	Sie haben eine Art von Snacks verwendet, die für die Zubereitung in einer traditionellen Fritteuse vorgesehen sind.	Verwenden Sie Backofensnacks oder bestreichen Sie die Snacks leicht mit Öl für ein knusprigeres Ergebnis.
Ich kann die Pfanne nicht richtig in das Gerät einschieben.	Es befinden sich zu viele Zutaten im Topf.	Füllen Sie den Topf nicht über die MAX-Anzeige hinaus.
	Der Topf ist nicht richtig in den Topf eingesetzt.	Drücken Sie den Korb wieder in die richtige Richtung.
Aus dem Gerät tritt weißer Rauch aus.	Sie bereiten fettige Zutaten zu.	Wenn Sie fettige Zutaten in der Heißluftfritteuse frittieren, läuft eine große Menge Öl in den Topf. Das Öl erzeugt weißen Rauch und der Topf kann sich stärker erhitzen als gewöhnlich. Dies hat keinen Einfluss auf das Gerät oder das Endergebnis.
	Der Topf enthält noch Fettreste vom vorherigen Gebrauch.	Der weiße Rauch wird durch die Erhitzung des Fetts im Topf/Pfanne verursacht. Achten Sie darauf, dass Sie den Topf nach jedem Gebrauch richtig reinigen.

Frische Pommes frites werden in der Luftfritteuse ungleichmäßig frittiert.	Sie haben nicht den richtigen Kartoffeltyp verwendet.	Verwenden Sie frische Kartoffeln und achten Sie darauf, dass sie beim Frittieren beständig bleiben.
	Sie haben die Kartoffelstäbchen vor dem Braten nicht richtig abgespült.	Spülen Sie die Kartoffelstäbchen gut ab, um die Stärke an der Außenseite der Stäbchen zu entfernen.
Frische Pommes frites sind nicht knusprig, wenn sie der Luftfritteuse entnommen werden.	Die Knusprigkeit der Pommes frites hängt von der Menge an Öl und Wasser in den Pommes ab.	Achten Sie darauf, dass Sie die Kartoffelstäbchen gut trocknen, bevor Sie das Öl hinzufügen.
		Schneiden Sie die Kartoffelstäbchen kleiner, um ein knusprigeres Ergebnis zu erzielen.
		Geben Sie etwas mehr Öl hinzu, um ein knusprigeres Ergebnis zu erzielen.

Korrekte Entsorgung dieses Produkts	
	<p>Diese Kennzeichnung weist darauf hin, dass dieses Produkt in der gesamten EU nicht zusammen mit anderen Haushaltsabfällen entsorgt werden darf. Um mögliche Schäden für die Umwelt oder die menschliche Gesundheit durch unkontrollierte Abfallentsorgung zu vermeiden, recyceln Sie es verantwortungsbewusst, um die nachhaltige Wiederverwendung von Materialressourcen zu fördern. Um Ihr Altgerät zurückzugeben, nutzen Sie bitte die Rückgabe- und Sammelsysteme oder wenden Sie sich an den Händler, bei dem das Produkt gekauft wurde. Diese können das Produkt einem umweltgerechten Recycling zuführen.</p>

**\* Fehlerbeschreibung: "E1" NTC fällt ab oder ist beschädigt**

Wenn Sie Fragen haben, wenden Sie sich bitte an unser Kundendienstzentrum.

Unsere Kontaktdaten stehen unten:

 0049-0(40)-88307530

 [service@aosom.de](mailto:service@aosom.de)

**ADRESSE DES IMPORTEURE:**

MH Handel GmbH  
 Wendenstraße 309  
 D-20537 Hamburg  
 Germany  
 IN CHINA HERGESTELLT

## INTRODUCCIÓN

Esta freidora de aire le brinda una manera fácil y saludable de preparar sus ingredientes favoritos. Mediante la circulación de aire rápido y caliente y una parrilla superior, puede preparar numerosos platos. Lo mejor es que la freidora de aire puede calentar los alimentos en todas las direcciones y la mayoría de los ingredientes no se necesitan freír con aceite.

## GUARDAR ESTAS INSTRUCCIONES

Esta freidora está diseñada para ser utilizada en hogares y otros lugares similares, tales como:

- Áreas de cocina para el personal de tiendas, oficinas u otros entornos de trabajo;
- Casas de campo;
- Utilizada por los clientes en hoteles, moteles u otros entornos residenciales;
- Entornos de alojamiento y desayuno.

## CONSIDERACIONES IMPORTANTES

Al utilizar cualquier aparato eléctrico, siempre debe seguir las precauciones básicas de seguridad, incluidas las siguientes:

1. Lea todas las instrucciones cuidadosamente.
2. No toque las superficies calientes.
3. Para protegerse contra descargas eléctricas, no sumerja el cable, los enchufes o la base de la freidora de aire en agua u otro líquido.
4. **ADVERTENCIA:** Esta freidora de aire contiene función de calentamiento. Las superficies, también diferentes a las superficies funcionales, pueden calentar a muy altas temperaturas. Dado que las diferentes personas tienen diferentes habilidades para percibir la temperatura, todo el mundo debe utilizar esta freidora de aire con **PRECAUCIÓN**. Debe tocarla solo por las manijas y superficies de agarre previstas, y utilizar protección contra el calor adecuada, como los guantes o otras cosas similares. Antes de tocar las superficies que no sean las superficies de agarre previstas, debe dejar suficiente tiempo para que se enfrién completamente.
5. Desenchufe de freidora de aire de la toma de corriente cuando no esté en uso y antes de limpiarlo. Deje que se enfrie completamente antes de poner o quitar piezas.
6. Tipo Y: Si el cable de alimentación está dañado de alguna manera, debe ser reemplazado por el fabricante, su agente de servicio o los profesionales calificados de manera similar con el fin de evitar un peligro.
7. El uso de accesorios no recomendados por el fabricante de esta freidora de aire puede provocar lesiones.
8. No utilice la freidora de aire al aire libre.
9. No deje que el cable cuelgue del borde de la mesa o mostrador, ni toque las superficies calientes de la freidora de aire.
10. No coloque la freidora de aire sobre o cerca de un quemador de gas o eléctrico caliente, o en un horno caliente.
11. Tenga mucho cuidado al mover la freidora de aire que contenga aceite caliente u otros líquidos calientes.
12. Siempre conecte el enchufe a la freidora de aire primero, luego enchufe el cable a la toma de corriente de la pared. Para desconectar la freidora de aire, apague cualquier control y luego retire el enchufe de la toma de corriente.
13. No utilice la freidora de aire para otro propósito que no sea el indicado.
14. Esta freidora de aire puede ser utilizada por los niños mayores de 8 años y las personas con capacidades físicas, sensoriales o mentales reducidas o con falta de experiencia y conocimiento si han recibido supervisión o instrucciones sobre el uso

seguro de la freidora de aire y comprenden todos los peligros involucrados. Los niños no deben jugar con la freidora de aire. La limpieza y el mantenimiento por parte del usuario no deben ser realizados por los niños a menos que sean mayores de 8 años y estén supervisados por los adultos.

15. Mantenga la freidora de aire y su cable alejados de los niños menores de 8 años.

16. La freidora de aire no está diseñada para funcionar mediante un temporizador externo o un sistema de control remoto independiente.

**DATOS TÉCNICOS:**

----- Voltaje: 220-240V ~ 50 / 60Hz

----- Potencia: 1700 W

----- Capacidad de Olla: 6,5 L

----- Temperatura de ajuste: 80°C -200 °C / (175-400° F)

----- Temporizador: 0-60 minutos

**DESCRIPCIÓN GENERAL (Figura 1)**

- |                                       |                                 |
|---------------------------------------|---------------------------------|
| 1. Tapón                              | 2. Panel de control             |
| 3. Carcasa superior                   | 4. Cubierta decorativa de panel |
| 5. Carcasa principal                  | 6. Rejilla                      |
| 7. Olla                               | 8. Panel de cajón               |
| 9. Asa de Olla                        | 10. Cubierta inferior           |
| 11. Carcasa frontal del cajón         | 12. Salida de aire              |
| 13. Cable principal (cable eléctrico) |                                 |

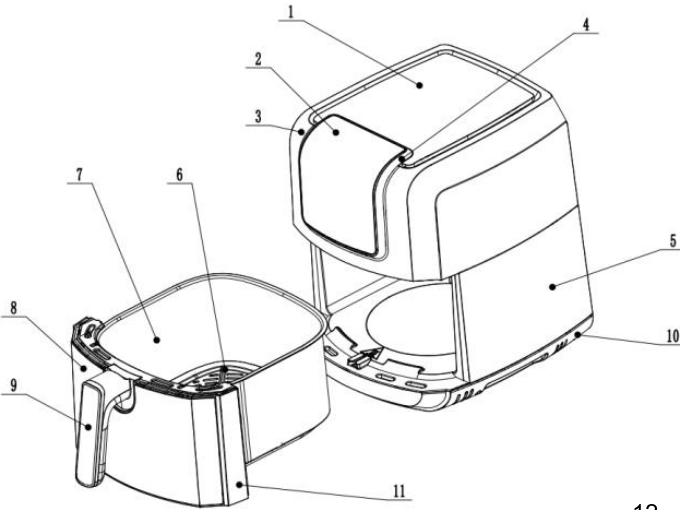


Figura. 1

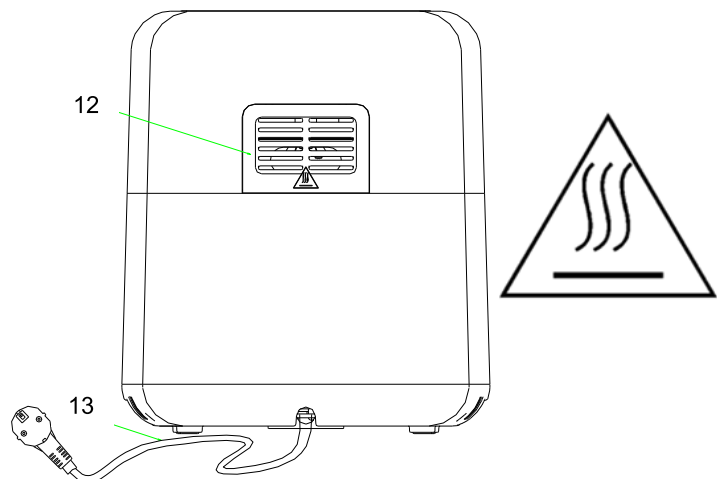


Figura. 2

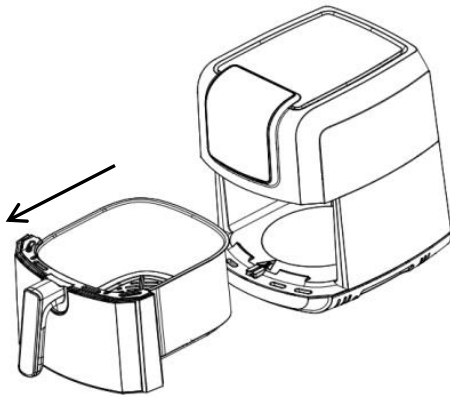


Figura. 3

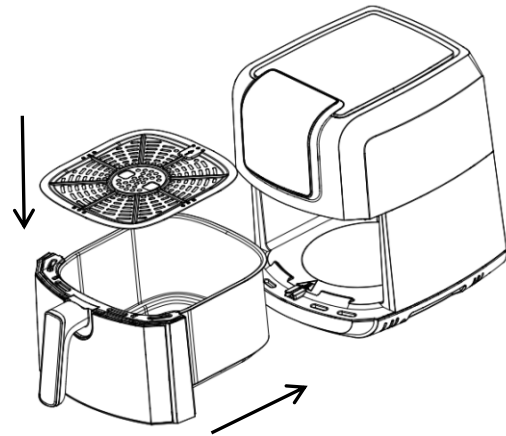


Figura. 4

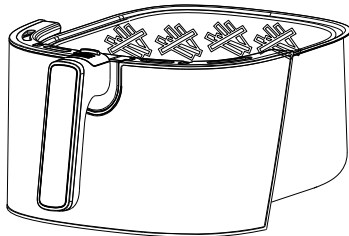


Figura. 5

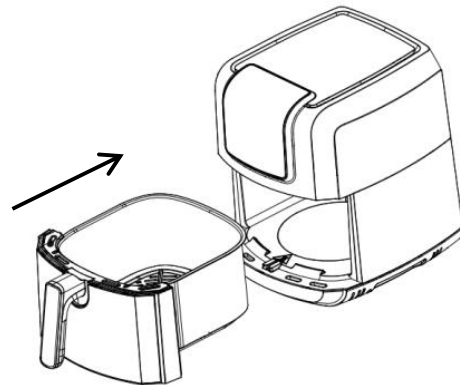


Figura. 6

### ¡Importante! Peligro

- Esta freidora de aire puede ser utilizada por los niños mayores de 8 años y las personas con capacidades físicas, sensoriales o mentales reducidas o con falta de experiencia y conocimiento si han recibido supervisión o instrucciones sobre el uso seguro de la freidora de aire y comprenden todos los peligros involucrados. Los niños no deben jugar con la freidora de aire. Los niños no deben realizar la limpieza ni el mantenimiento, a menos que sean mayores de 8 años y estén supervisados por los adultos.
- Mantenga la freidora de aire y su cable alejados de los niños menores de 8 años.
- Nunca sumerja la carcasa que contiene los componentes eléctricos y los elementos calefactores en agua ni la enjuague bajo el grifo.
- No permita que entre agua u otro líquido en la freidora de aire con el fin de evitar descargas eléctricas.
- Siempre coloque los ingredientes a freír en la olla para evitar que entren en contacto con los elementos calefactores.
- No cubra la entrada de aire y las aberturas exteriores de aire cuando la freidora de aire esté funcionando.
- No llene la olla con aceite, de lo contrario, puede provocar riesgo de incendio.
- Nunca toque el interior de la freidora de aire cuando está funcionando.
- La temperatura de las superficies accesibles puede estar muy calientes cuando la freidora de aire está funcionando.

### ADVERTENCIA

- Compruebe si el voltaje indicado en la freidora de aire corresponde con el voltaje de la red local.
- No utilice la freidora de aire si encuentra algún daño en el enchufe, el cable de alimentación u otras piezas.

- No deje a ninguna persona no autorizada para reemplazar o reparar el cable principal dañado.
- Mantenga el cable de alimentación alejado de las superficies calientes.
- No enchufe la freidora de aire ni opere el panel de control con las manos mojadas.
- No coloque la freidora de aire contra una pared o contra otros aparatos. Deje al menos 10 cm de espacio libre en la parte trasera, los lados de la freidora de aire, y por encima de la freidora de aire.  
No coloque nada en la parte superior de la freidora de aire.
- No utilice la freidora de aire para ningún otro propósito que no sea indicado en este manual.
- No deje la freidora de aire que está funcionando sin vigilancia.
- Durante la fritura con aire caliente, se libera vapor caliente a través de las aberturas de salida de aire de la freidora de aire. Mantenga las manos y la cara a una distancia segura del vapor y de las aberturas.  
También tenga mucho cuidado con el vapor y el aire caliente al retirar la olla de la freidora de aire.
- Cualquier superficie accesible puede calentarse mucho durante el funcionamiento (Figura 2)
- Desenchufe la freidora de aire de inmediato si observa que sale humo oscuro de ella. Espere a que se detenga salir humo antes de retirar la olla de la freidora de aire.

### **Precaución**

- Asegúrese de que la freidora de aire esté colocada sobre una superficie plana, uniforme y estable.
- Esta freidora de aire está diseñada para uso doméstico únicamente. Puede que no sea apta para ser utilizada de manera segura en los entornos como cocinas para el personal, granjas, moteles y otros entornos no residenciales. Tampoco está destinada a ser utilizada por los clientes en hoteles, moteles, cama y desayuno y otros entornos residenciales.
- Si la freidora de aire se utiliza de manera incorrecta o para propósitos profesionales o semiprofesionales o no se utiliza de acuerdo con las instrucciones indicados en el manual de usuario, la garantía se anulará y podemos rechazar cualquier responsabilidad por los daños causados.
- Siempre desenchufe la freidora de aire cuando no está en uso.
- Se necesitan aproximadamente 30 minutos para que la freidora de aire se enfríe antes de manipularla o limpiarla seguramente.

### **Antes del primer uso**

1. Retire todos los materiales de embalaje.
  2. Quite los adhesivos o etiquetas de la freidora de aire.
  3. Limpie a fondo la olla con agua caliente, lavavajillas y una esponja no abrasiva.
  4. Limpie el interior y el exterior de la freidora de aire con un paño húmedo.
- Esta es una freidora que funciona con aire caliente y no se necesita aceite, no llene la olla con aceite o grasa de freír directamente.

### **Preparación para su uso**

1. Coloque la freidora de aire sobre una superficie estable, plana y uniforme.  
No la coloque sobre una superficie no resistente al calor.
2. Coloque la rejilla en la olla. (Figura 4)  
No llene la olla con aceite o cualquier otro líquido.  
No coloque nada encima de la freidora de aire, el flujo de aire se interrumpirá y afectará el resultado de la fritura con aire caliente.



## USO DEL APARATO

Puede preparar una amplia gama de ingredientes de manera libre de aceite.

### Freír con aire caliente

1. Conecte el enchufe principal a una toma de corriente conectada a tierra.
2. Saque con cuidado la olla de la freidora de aire. (Figura 3)
3. Ponga los ingredientes en la olla. (Figura 5)
4. Vuelva a colocar la olla en la freidora de aire en su lugar. (Figura 6)

Debe alinear cuidadosamente las guías en el cuerpo de la freidora de aire.

### Nunca utilice la olla sin la cesta en ella.

**Precaución: No toque la olla durante la cocción y cuando acabe de utilizarla, ya que se calienta mucho. Solo puede sostener el asa de la olla para sacarla.**

5. Determine el tiempo de preparación requerido para los ingredientes que va a freír (consulte la sección "Configuración" en este capítulo).
6. Al cocinar algunos ingredientes, es posible que usted necesite agitarlos a la mitad del tiempo de cocción (consulte la sección "Configuración" en este capítulo). Para agitarlos, saque la olla de la freidora de aire por el asa y agítelos. Luego, deslice la olla en la freidora de aire nuevamente.

*Consejo: Si configura el temporizador a la mitad del tiempo de cocción requerido, escuchará un timbre emitido del temporizador cuando usted tenga que agitar los ingredientes. Sin embargo, esto significa que debe configurar el temporizador otra vez para establecer el tiempo de cocción restante después de agitar los ingredientes.*

7. Cuando escuche el timbre emitido del temporizador, el tiempo de cocción establecido ha transcurrido. Saque la olla de la freidora de aire.

Nota: También puede apagar la freidora de aire manualmente. Para hacerlo, configure el tiempo a 1.

8. Comprueba si los ingredientes están cocidos bien.

Si los ingredientes aún no están listos, simplemente vuelva a colocar la olla nuevamente en la freidora de aire y configure el temporizador y deje que la freidora de aire funcione unos minutos más.

9. Para sacar los ingredientes (por ejemplo, las patatas fritas), saque la olla de la freidora de aire y colóquela en la estructura de prueba.

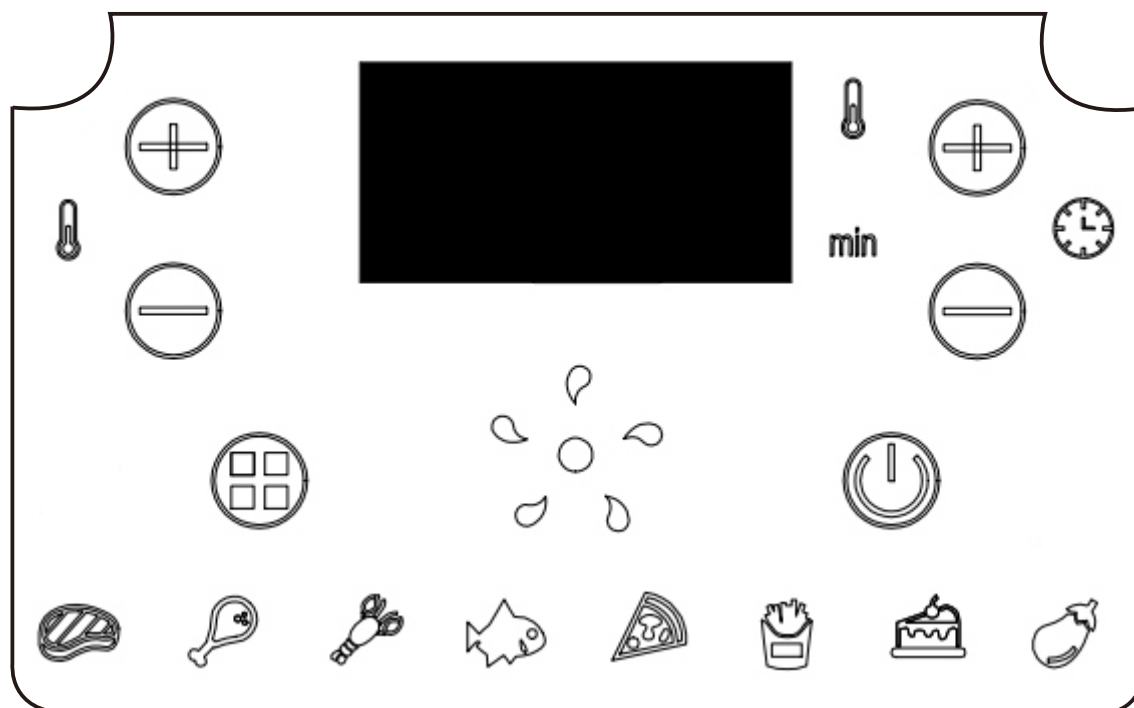
**No coloque la olla boca abajo cuando todavía está unida a la olla, de lo contrario, el exceso de aceite que se haya acumulado en el fondo de la olla se derramará sobre los ingredientes.**

**La olla y los ingredientes están calientes. Dependiendo del tipo de ingredientes en la freidora de aire, se puede salir el vapor de la olla.**


10. Vacía la olla en un bol o en un plato.
11. Cuando un lote de ingredientes está preparado bien, puede utilizar la freidora de aire instantáneamente para preparar otro lote.



## INSTRUCCIONES DEL PANEL DE CONTROL




### Instrucciones de operación:

Tecla  –Tecla de encendido

Una vez que la olla estén colocadas de manera correcta en la carcasa principal de la freidora de aire, la luz de encendido se iluminará. Si presiona la tecla de encendido durante 3 segundos, la temperatura pre-establecida será de 200 °C, mientras que el tiempo de cocción se establecerá en 15 minutos. Al presionar la tecla de encendido por segunda vez, se iniciará el proceso de cocción. Puede presionar la tecla de encendido durante 3 segundos para apagar la freidora de aire durante la cocción. Todas las luces se apagarán y el ventilador dejará de funcionar.



Nota: Durante la cocción, puede presionar las teclas para controlar la pausa y el inicio de la cocción.


Tecla  –Tecla de preajuste


Presionar esta tecla “” de preajuste le permite ver las 8 opciones de ingredientes de alimentos populares desplazándose en la pantalla. Una vez seleccionada alguna de ellas, empieza a funcionar de acuerdo con el tiempo y la temperatura de cocción pre-establecidos.

Lado izquierdo del panel de control  tecla  & tecla  -Teclas de control de temperatura

Presionar la tecla  y la tecla  le permite agregar o disminuir 5 °C de la temperatura de cocción cada vez. Mantenga presionada la tecla, se cambiará rápidamente la temperatura. El rango de control de temperatura: 80 °C -200 °C.

Lado izquierdo del panel de control **min** ; Presionar la tecla  y la tecla  le permite agregar o disminuir el tiempo de cocción, un minuto cada vez. Mantenga presionada la tecla, se cambiará rápidamente el tiempo. El máximo es de 60 minutos.

Luz indicadora “”: Indicador de ventilador;

Luz indicadora roja “”: Indicador de calentamiento;

Lado derecho de la luz indicadora del panel de control “”: Indicador de temperatura;

Luz indicadora “**min**”: Indicador de temporizador;

Luz indicadora “       ”: Indicador de recetas

## Configuración









La siguiente tabla le ayudará a seleccionar la configuración básica y adecuada para cocinar algunos ingredientes.

Nota: Tenga en cuenta que estas configuraciones son indicaciones y referencias. Como los ingredientes difieren en origen, tamaño, forma y marca, no podemos garantizar que las configuraciones sean mejor para cocinar sus ingredientes.

Porque la tecnología “Rapid Air (aire rápido)” recalienta instantáneamente el aire dentro de la freidora de aire, saque la olla brevemente de ella durante la cocción apenas interfiera el proceso la cocción.

## Consejos

- *Para cocinar los ingredientes más pequeños, generalmente se requiere un tiempo de preparación un poco más corto que el tiempo de preparación de los ingredientes más grandes.*
- *Para cocinar una mayor cantidad de ingredientes, se requiere un tiempo de preparación un poco más largo; para cocinar una cantidad menor de ingredientes, solo se requiere un tiempo de preparación ligeramente más corto.*
- *Agitar los ingredientes más pequeños a la mitad de la cocción optimiza el resultado final, y puede ayudar a evitar que los ingredientes se fríen desigualmente.*
- *Añadir un poco de aceite a las patatas frescas se puede obtener un resultado más crujiente. Fríe los ingredientes en la freidora de aire después de haber añadido el aceite dentro de unos minutos.*
- *No prepare los ingredientes extremadamente grasos en la freidora de aire, por ejemplo, las salchichas.*
- *Los bocadillos que se pueden hornear en un horno también se pueden cocinar en la freidora de aire.*
- *La cantidad óptima para preparar patatas fritas más crujientes es de 500 gramos.*
- *Puede utilizar la masa prefabricada para preparar bocadillos rellenos rápidamente y sencillamente. La masa prefabricada se requiere un tiempo de preparación más corto que la masa casera.*
- *Coloque un molde para hornear o un plato de horno en la cesta de la freidora de aire si usted quiere hornear un pastel o quiche o si desea freír los ingredientes frágiles o rellenos.*
- *También puede utilizar la freidora de aire para recalentar los ingredientes. Por motivo de recalentarlos, ajuste la temperatura a 150 °C y 10 minutos como máximo.*

									
Defectos	Temperatura (°C)	180	180	180	180	160	200	160	160
	Tiempo (minuto)	16	25	12	18	17	17	25	17
Rango	Temperatura (°C)	80-200	80-200	80-200	80-200	80-200	80-200	80-200	80-200
	Tiempo (minuto)	1-60	1-60	1-60	1-60	1-60	1-60	1-60	1-60
Cantidad mínima-máxima (g)		100-600	100-500	100-500	100-500	100-500	100-500	100-500	100-500

### Limpieza

Limpie la freidora de aire después de utilizarla cada vez.

**Olla. no utilice los utensilios de cocina metálicos o materiales de limpieza abrasivos, de lo contrario, puede dañar el revestimiento antiadherente.**

1. Retire el enchufe de la toma de corriente, y deje que la freidora de aire se enfríe completamente.

Nota: Retire la olla para que la freidora de aire se enfríe más rápidamente.

2. Limpie el exterior de la freidora de aire con un paño húmedo.

3. Limpie la olla con agua caliente, lavavajillas y una esponja no abrasiva.

Para limpiar la suciedad restante, puede utilizar líquido desengrasante.

*Consejo: Si la suciedad se ha adherido al fondo de la olla, llene la cesta o la olla con agua caliente y un poco de detergente. Coloque la olla se remojen durante 10 minutos más o menos.*

4. Limpie el interior de la freidora de aire con agua caliente y una esponja no abrasiva.

5. Limpie el elemento calefactor de la freidora de aire con un cepillo para eliminar residuos de comida.

### Almacenamiento

1. Desenchufe la freidora de aire y deje que se enfríe completamente.

2. Asegúrese de que todas las piezas estén limpias y secas.

### Medio ambiente

No deseche la freidora de aire junto con la basura doméstica normal cuando esté agotado, sino llévela a un punto de recogida oficial para realizar el reciclaje. Así, ayuda a proteger el medio ambiente.

## Solución de problemas

Problema	Causa posible	Causa posible
La freidora de aire no funciona.	La freidora de aire no está enchufada.	Inserte el enchufe de la freidora de aire en una toma de corriente de pared conectada a tierra.
	No configure el temporizador.	Configure el tiempo de preparación necesario mediante la tecla del temporizador para encender la freidora de aire.
Los ingredientes fritos con la freidora de aire no están cocidos bien.	La cantidad de ingredientes en la olla es demasiado grande.	Coloque un lote más pequeño de ingredientes en la olla. El lote más pequeño se puede freir de manera más uniforme.
	La temperatura configurada es demasiado baja.	Configure la temperatura requerido mediante la tecla de temperatura (consulte la sección "Configuración" en el capítulo "Uso del aparato").
	El tiempo de cocción es demasiado corto.	Configure el tiempo de cocción requerido mediante el temporizador (consulte la sección "Configuración" en el capítulo "Uso del aparato").
Los ingredientes en la freidora de aire se fríen de manera desigual.	Al cocinar ciertos tipos de ingredientes, debe agitarlos a la mitad del tiempo de cocción.	Porque algunos ingredientes están apilados uno sobre el otro (por ejemplo, papas fritas), debe agitarlos a la mitad del tiempo de cocción. Consulte la sección "Configuración" en el capítulo "Uso del aparato".
Los bocadillos fritos no están crujientes cuando salen de la freidora de aire.	Porque usted ha utilizado esta freidora de aire para freir un tipo de bocadillo que debe ser preparado con una freidora tradicional.	Puede utilizar esta freidora de aire para cocinar los bocadillos para horno o aplique un poco de aceite en ellos para obtener un resultado más crujiente.
No se puede deslizar la olla en la freidora de aire correctamente.	Hay demasiados ingredientes en la olla.	Los ingredientes en la Olla no puede exceder la indicación de "MAX".
	La olla no está colocada en la olla de manera correcta.	Empuje la cesta nuevamente en la dirección correcta.
Sale humo blanco de la freidora de aire.	Los ingredientes que está preparando son grasosos.	Cuando fríe los ingredientes grasosos en la freidora de aire, se filtrará una gran cantidad de aceite en la olla. El aceite genere humo blanco y la olla puede calentarse más de lo habitual. Esto no afecta a la freidora de aire ni al resultado final.
	En la olla todavía hay restos de grasa del uso anterior.	El humo blanco es causado por la grasa que se calienta en la olla. Asegúrese de limpiar la olla de manera correcta después de utilizarla cada vez.

Al freír las patatas fritas frescas con la freidora de aire, el resultado es desigual.	No utiliza la freidora de aire para cocinar el tipo de papa correcto.	Utilice las patatas frescas y asegúrese de que se mantengan firmes durante la fritura.
	No ha enjuagado bien los palitos de patatas antes de freírlos.	Enjuague bien los palitos de patatas para quitar el almidón de las patatas.
Las patatas fritas frescas no están crujientes cuando salen de la freidora de aire.	La fragilidad de las patatas fritas depende de la cantidad de aceite y agua contenidas en las patatas fritas.	Asegúrese de secar bien los palitos de patatas antes de añadir el aceite.
		Corte los palitos de patatas a más pequeños para lograr un resultado más crujiente.
		Añada un poco más de aceite para lograr un resultado más crujiente.


Disposición correcta de este producto



Esta marca significa que este producto no debe ser desechado junto con otros residuos domésticos en toda la UE. Por motivo evitar posibles daños al medio ambiente o la salud humana debido a la disposición incontrolada de desechos, recíclelos responsablemente para promover la reutilización sostenible de los recursos materiales. Con el fin de devolver su aparato usado, utilice los sistemas de devolución y recolección o póngase en contacto con el minorista donde compró el aparato. Pueden llevarlo a un punto de reciclaje seguro para proteger el medio ambiente.

**\* Descripción del error: "E1" NTC se cae o está dañado**

Si tiene alguna pregunta, comuníquese con nuestro Centro de Atención al Cliente. Nuestros datos de contacto son los siguientes:

 0034-931294512

 [atencioncliente@aosom.es](mailto:atencioncliente@aosom.es)

IMPORTADOR:  
 SPANISH AOSOM, S.L.  
 C/ ROC GROS, Nº 15. 08550, ELS HOSTALET DE BALENYÀ, SPAIN.  
 B66295775  
 WWW.AOSOM.ES  
 ATENCIONCLIENTE@AOSOM.ES  
 TEL: 931294512  
 HECHO EN CHINA

## INTRODUZIONE

Questa friggitrice ad aria calda offre un modo semplice e salutare di preparare i vostri ingredienti preferiti. Grazie alla rapida circolazione d'aria calda e una griglia superiore, è in grado di preparare numerose ricette. Il miglior vantaggio della friggitrice ad aria calda è che essa riscalda il cibo in tutte le direzioni e la maggior parte degli ingredienti non ha bisogno di aggiungere olio.

## CONSERVARE QUESTE ISTRUZIONI

Questo apparecchio è destinato all'uso domestico o simile come:

- Aree cucina del personale in negozi, uffici e altri ambienti di lavoro;
- Case in affitto;
- Da clienti in hotel, motel e altri ambienti di tipo residenziale;
- Ambienti come bed and breakfast.

## IMPORTANTI PRECAUZIONI

Quando si utilizzano apparecchi elettrici, è necessario seguire sempre le precauzioni di sicurezza di base, tra le quali:

1. Leggere tutte le istruzioni.
2. Non toccare direttamente le superfici roventi.
3. Per proteggersi dalle scosse elettriche, non immergere il cavo, le spine o la base in acqua o altri liquidi.
4. **AVVERTENZA:** questo apparecchio elettrico è dotato di una funzione di riscaldamento. Le superfici, anche diverse dalle superfici di cottura, possono arrivare a temperature elevate. Poiché le temperature sono percepite in modo diverso da persone diverse, questo apparecchio deve essere utilizzato con **ATTENZIONE**. L'apparecchio deve essere maneggiato solo dalle maniglie e dalle superfici di presa previste e utilizzare protezioni dal calore come guanti o simili. Le superfici diverse dalle superfici di presa devono essere lasciate raffreddare per un tempo sufficiente prima di essere toccate.
5. Scollegare dalla presa di corrente quando non è in uso e prima della pulizia. Lasciare raffreddare prima di aggiungere o rimuovere delle parti.
6. Se il cavo di alimentazione è danneggiato, deve essere sostituito dal produttore, dal suo agente di servizio o da personale qualificato per evitare pericoli.
7. L'uso di accessori non consigliati dal produttore dell'apparecchio può causare lesioni personali.
8. Non utilizzare all'aperto.
9. Non lasciare che il cavo penda dal bordo del tavolo o del bancone o che venga a contatto con superfici calde.
10. Non posizionare sopra o vicino a fornelli a gas o elettrici caldi, o in un forno riscaldato.
11. Prestare estrema cautela quando si sposta un apparecchio che contiene olio caldo o altri liquidi caldi.
12. Collegare sempre prima la spina all'apparecchio, quindi collegare il cavo alla presa di corrente a muro. Per scollegare, portare qualsiasi manopola su "off", quindi rimuovere la spina dalla presa.
13. Non utilizzare l'apparecchio per un uso diverso da quello previsto.
14. Questo apparecchio può essere utilizzato da bambini di età pari o superiore a 8 anni e da persone con capacità fisiche, sensoriali o mentali ridotte o prive di esperienza e conoscenza tecnica se sono supervisionati o istruiti sull'uso dell'apparecchio in modo

sicuro e ne comprendono i pericoli coinvolti. I bambini non devono giocare con l'apparecchio. La pulizia e la manutenzione non devono essere eseguite da bambini a meno che non abbiano compiuto gli 8 anni e non siano sorvegliati.

15. Tenere l'apparecchio e il suo cavo fuori dalla portata dei bambini sotto gli 8 anni.
16. L'apparecchio non è destinato ad essere azionato mediante un timer esterno o un sistema di controllo remoto separato.

### PARAMETRI TECNICI:

- Tensione:220-240V ~50/60Hz
- Wattaggio:1700 W
- Capacità del Pentola: 6,5 L
- Temperatura regolabile:80°C -200 °C / (175-400 °F)
- Timer:0-60 min

### DESCRIZIONE GENERALE (Fig.1)

- |   |                                  |
|---|----------------------------------|
| 1. Coperchio                                | 2. Pannello di controllo         |
| 3. Involucro                                | 4. Cover decorativa del pannello |
| 5. Alloggiamento principale                 | 6. Supporto                      |
| 7. Pentola                                  | 8. Pannello del cassetto         |
| 9. Maniglia del Pentola                     | 10. Protezione inferiore         |
| 11. Involucro frontale del cassetto         | 12. Prese d'aria in uscita       |
| 13. Cavo principale (cavo di alimentazione) |                                  |

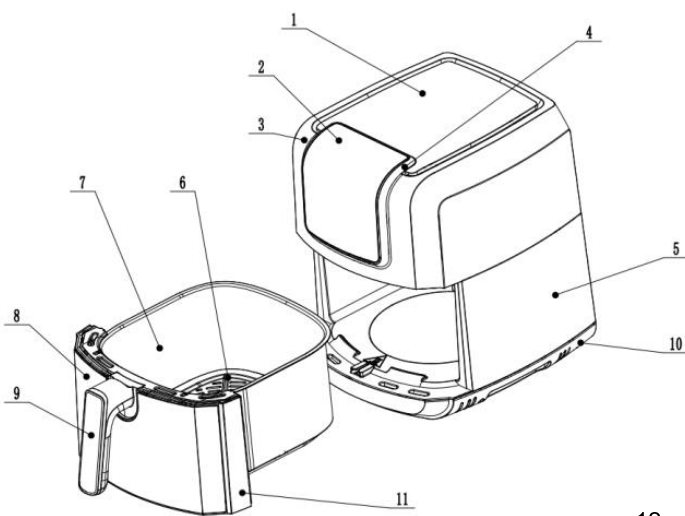


Fig.1

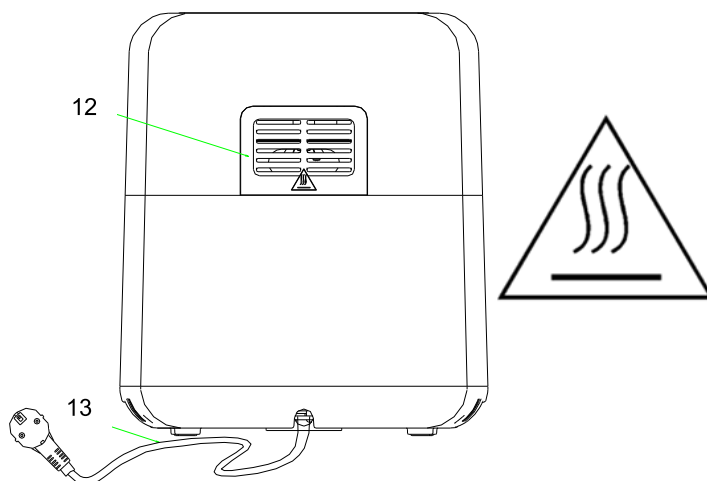


Fig. 2



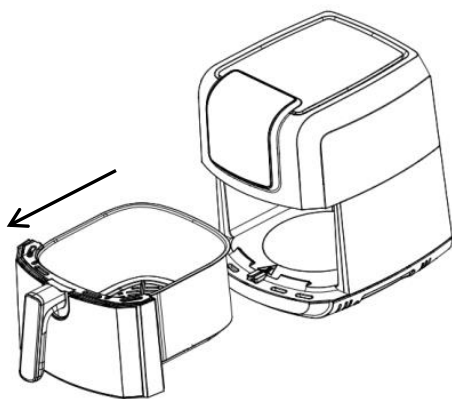


Fig. 3

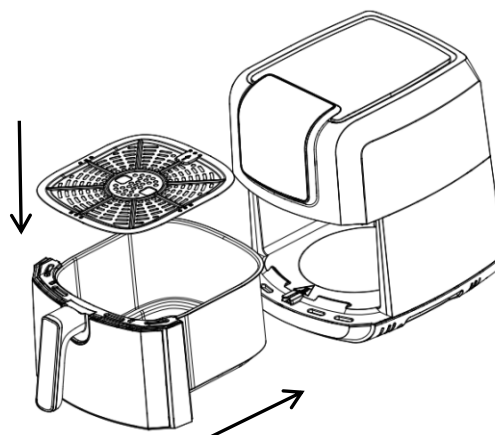


Fig. 4

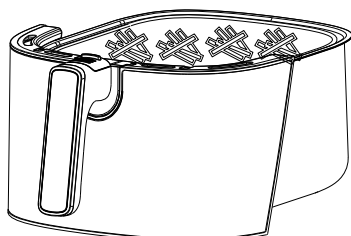


Fig. 5

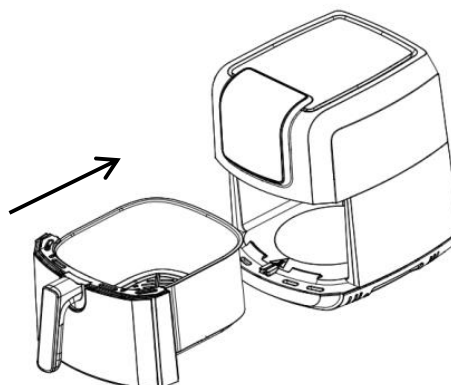


Fig. 6

**Importante !****Pericolo**

- Questo apparecchio può essere utilizzato da bambini di età pari o superiore a 8 anni e da persone con capacità fisiche, sensoriali o mentali ridotte o prive di esperienza e conoscenza tecnica, se sono supervisionati o istruiti sull'uso dell'apparecchio in modo sicuro e ne hanno compreso le pericoli coinvolti. I bambini non devono giocare con l'apparecchio. La pulizia e la manutenzione non devono essere eseguite da bambini sotto gli 8 anni e senza essere sorvegliati.
- Tenere l'apparecchio e il suo cavo fuori dalla portata dei bambini di età inferiore a 8 anni.
- Non immergere mai l'alloggiamento, che contiene i componenti elettrici e i componenti riscaldanti, in acqua né sciacquarlo sotto il rubinetto.
- Non lasciare che acqua o altri liquidi penetrino nell'apparecchio per evitare scosse elettriche.
- Versare sempre gli ingredienti da friggere nel Pentola, per evitare che entrino in contatto con i componenti riscaldanti.
- Non coprire la presa d'aria in ingresso e in uscita mentre l'apparecchio è in funzione.
- Non riempire il cestello con olio in quanto ciò potrebbe causare un incendio.
- Non toccare mai l'interno dell'apparecchio mentre è in funzione.
- La temperatura delle superfici accessibili può essere molto elevata quando l'apparecchio è in funzione.

**AVVERTENZA**

- Verificare che la tensione indicata sull'apparecchio corrisponda alla tensione della rete elettrica locale.
- Non utilizzare l'apparecchio se la spina, il cavo di alimentazione o altre parti sono danneggiate.
- Non rivolgersi a personale non autorizzato per sostituire o riparare il cavo di alimentazione danneggiato.

- Tenere il cavo di alimentazione lontano da superfici roventi.
- Non collegare l'apparecchio o azionare il pannello di controllo con le mani bagnate.
- Non posizionare l'apparecchio contro una parete o contro altri apparecchi elettrici. Lasciare almeno 10 cm di spazio libero sul retro e sui lati e 10 cm di spazio libero sopra l'apparecchio.
- Non appoggiare alcun oggetto sopra l'apparecchio.
- Non utilizzare l'apparecchio per scopi diversi da quelli indicati in questo manuale.
- Non mettere in funzione l'apparecchio se è incustodito.
- Durante la frittura ad aria calda, il vapore caldo verrà rilasciato attraverso le prese di uscita dell'aria. Tenere le mani e il viso a distanza di sicurezza dal vapore e dalle prese.
- Fare attenzione anche al vapore e all'aria caldi quando si rimuove la pentola dall'apparecchio.
- Qualsiasi superficie accessibile può surriscaldarsi durante l'uso (Fig.2)
- Scollegare immediatamente l'apparecchio del fumo scuro fuoriesce dall'apparecchio. Attendere l'arresto dell'emissione di fumo prima di rimuovere la pentola dall'apparecchio.

### **Attenzione**

- Assicurarsi che l'apparecchio sia posizionato su una superficie orizzontale, in piano e stabile.
- Questo apparecchio è progettato esclusivamente per uso domestico. Non è adatto per essere utilizzato in sicurezza in ambienti come cucine del personale lavorativo, fattorie, motel e altri ambienti non residenziali. Non è inoltre destinato all'uso da parte dei clienti in hotel, motel, bed and breakfast e altri ambienti residenziali.
- Se l'apparecchio viene utilizzato in modo incorretto o per scopi professionali o semiprofessionali o non viene utilizzato secondo le istruzioni contenute nel manuale d'uso, la garanzia decade e si declina ogni responsabilità per eventuali danni causati.
- Scollegare sempre l'apparecchio dalla corrente quando non è in uso.
- L'apparecchio necessita di circa 30 minuti per raffreddarsi prima di essere maneggiato o pulito in sicurezza.

### **Prima del primo uso**

1. Rimuovere tutti i materiali di imballaggio.
2. Rimuovere eventuali adesivi o etichette dall'apparecchio.
3. Pulire accuratamente la pentola sciacquando con acqua calda, del detersivo per piatti e una spugna non abrasiva.
4. Pulire l'interno e l'esterno dell'apparecchio passando un panno umido.

Questa è una friggitrice senza olio che funziona solo ad aria calda, non riempire la pentola con olio o grasso di frittura.

### **Preparazione per l'uso**

1. Posizionare l'apparecchio su una superficie stabile, orizzontale e in piano.

**Non posizionare l'apparecchio su una superficie non resistente al calore.**

2. Inserire la griglia nella pentola (Fig.4).

**Non versare nella pentola olio o altri liquidi.**

**Non collocare alcun oggetto sopra l'apparecchio, il flusso d'aria sarà interrotto e ciò influenzerà il risultato della frittura ad aria calda.**

### **UTILIZZO DELL'APPARECCHIO**

È possibile preparare una vasta gamma di ingredienti senza utilizzare olio.

### **Frittura ad aria calda**

1. Collegare la spina a una presa di corrente a muro con collegamento a terra.
2. Estrarre con cautela la pentola dalla friggitrice (Fig.3)
3. Versare gli ingredienti nel Pentola. (Fig.5)
4. Rimettere la Pentola nella friggitrice ad aria calda (Fig 6)  
Fare in modo che si allinea ai binari guida della friggitrice.

**Attenzione: non toccare la pentola durante e dopo l'uso, poiché si scalda molto. Afferrare la pentola solo per il manico.**

5. Determinare il tempo di cottura richiesto per l'ingrediente scelto (fare riferimento alla sezione "Impostazioni" in questo capitolo).
6. Alcuni ingredienti richiedono di essere agitati a metà del tempo di cottura (fare riferimento alla sezione "Impostazioni" in questo capitolo). Per agitare gli ingredienti, estrarre la pentola dall'apparecchio afferrandola per la maniglia e scuoterla. Quindi rimettere la pentola nella friggitrice ad aria.

*Suggerimento: se si imposta il timer a metà del tempo di cottura, si sentirà il suono di allarme del timer quando bisogna scuotere gli ingredienti. Tuttavia, ciò significa che è necessario impostare nuovamente il timer sul tempo di cottura rimanente dopo lo scuotimento.*

7. Quando si sente il segnale acustico del timer, il tempo di preparazione impostato è trascorso. Estrarre la pentola dall'apparecchio.

Nota: è anche possibile spegnere l'apparecchio manualmente. Per fare ciò, portare il timer su 1.

8. Controllare se gli ingredienti sono cotti.

Se gli ingredienti non sono ancora pronti, rimettere semplicemente la pentola nell'apparecchio e impostare il timer su qualche minuto in più.

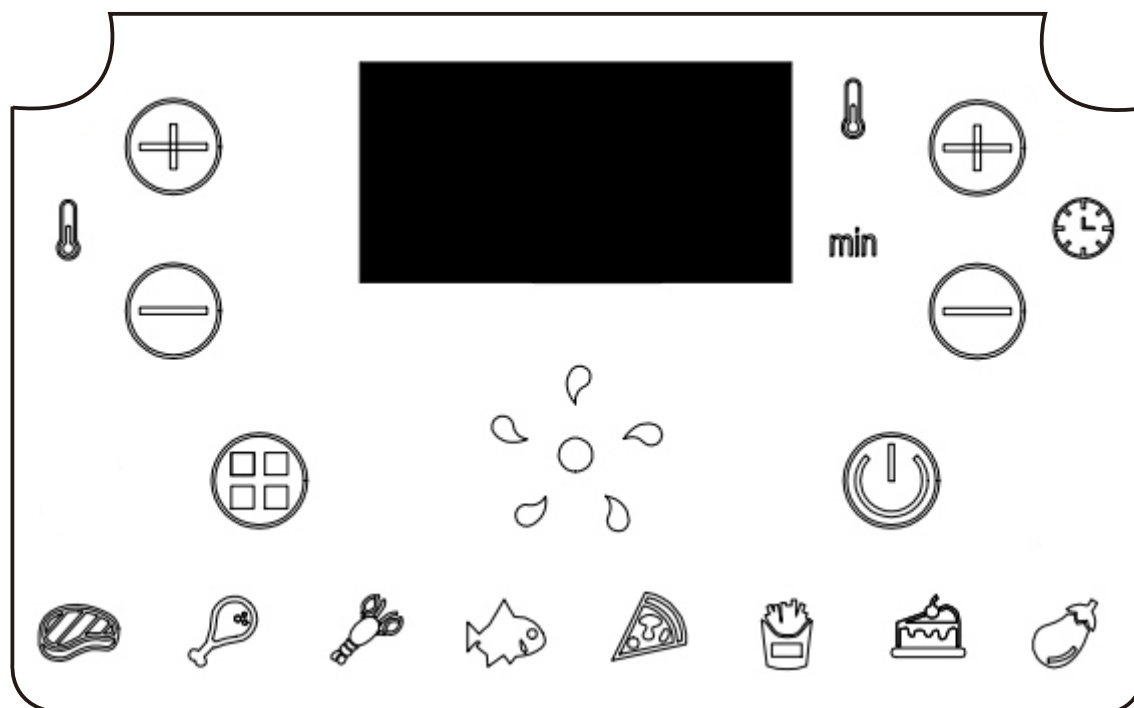
9. Per rimuovere gli ingredienti (ad es. patatine fritte), estrarre la pentola dalla friggitrice ad aria calda e posizionarla sul bancone.


**Non capovolgere il pentola ancora attaccato alla pentola, poiché l'olio in eccesso che si è raccolto sul fondo della pentola colerà sugli ingredienti.**

**La pentola e gli ingredienti all'interno sono molto caldi. A seconda del tipo di ingredienti nella friggitrice ad aria, il vapore potrebbe fuoriuscire dalla pentola.**

10. Svuotare il pentola in una ciotola o su un piatto.
11. Quando un gruppo di ingredienti è pronto, la friggitrice ad aria calda è immediatamente pronta per prepararne un altro.

## ISTRUZIONI DEL PANNELLO DI CONTROLLO


**Istruzioni di funzionamento**

Tasto  – Tasto di Accensione



Una volta che il pentola sono inseriti correttamente nell'alloggiamento principale, la spia di alimentazione si accenderà. Tenere premuto il tasto di accensione per 3 secondi, la temperatura predefinita dell'unità sarà impostata su 200 °C , mentre il tempo di cottura sarà impostato su 15 minuti. Premere una seconda volta il tasto di accensione per avvierà la cottura. Tenere premuto il tasto di accensione per 3 secondi per spegnere il dispositivo durante la cottura. L'indicatore OFF e quello della ventola verranno visualizzati per 20 secondi; Tutte le spie luminose si spengono; la ventola smette di funzionare.



Nota: Durante la cottura, è possibile premere i tasti per controllare la pausa e l'inizio della cottura.

Tasto  – Tasto delle Preimpostazioni


Premere il tasto “  ” consente di scorrere tra le 8 scelte più comuni. Una volta selezionata, verranno impostati il tempo e la temperatura di cottura prestabiliti.


Pannello di controllo sinistro  Tasto  & Tasto  - Tasti di Controllo della Temperatura

Premere il tasto  e il tasto  per aumentare o diminuire la temperatura di cottura di 5°C alla volta. Tenere premuto il tasto per cambiare rapidamente la temperatura. Intervallo di controllo della temperatura: 80 °C-200°C.

Pannello di controllo destro **min** ; Premere il tasto  e il tasto  per aumentare o diminuire il tempo di cottura, un minuto alla volta. Tenere premuto il tasto per cambiare rapidamente il tempo di cottura, fino a massimo di 60 minuti;

Spia luminosa “  ” Indicatore della ventola;

Spia luminosa rossa “  ” Indicatore del riscaldamento;

Spia del pannello di controllo destro “  ” Indicatore dei temperatura;

Spia luminosa “ **min** ” Indicatore del tempo;

Spia luminosa “         ” Indicatore della ricetta.

## Impostazioni









La seguente tabella vi aiuterà a selezionare le impostazioni di base per gli ingredienti scelti.

Nota: queste impostazioni sono solo delle indicazioni. Poiché gli ingredienti differiscono per origine, dimensione, forma e marca, non è possibile garantire la migliore impostazione per gli ingredienti da voi selezionati.

Poiché' la tecnologia Rapid Air riscalda istantaneamente l'aria all'interno dell'apparecchio, estrarre anche brevemente la pentola dall'apparecchio durante la frittura ad aria calda ne comprometterà il processo.

## Suggerimenti

- *Gli ingredienti più piccoli di solito richiedono un tempo di cottura leggermente più breve rispetto a quelli più grandi.*
- *Una quantità maggiore di ingredienti richiede un tempo di preparazione leggermente più lungo, una quantità minore di ingredienti richiede un tempo di preparazione leggermente più breve.*
- *Agitare gli ingredienti più piccoli una volta raggiunta la metà del tempo di cottura per ottimizzare il risultato finale e prevenire che gli ingredienti siano fritti in modo non uniforme.*
- *Aggiungere un filo d'olio alle patate fresche per ottenere un risultato croccante. Friggere gli ingredienti nella friggitrice ad aria calda entro pochi minuti dall'aggiunta dell'olio.*
- *Non friggere ingredienti estremamente grassi come salsicce nella friggitrice ad aria calda.*
- *Gli spuntini che possono essere preparati in forno possono essere preparati anche nella friggitrice ad aria calda.*
- *La quantità ottimale per la preparazione di patatine croccanti è di 500 grammi.*
- *Usare un impasto già pronto per preparare spuntini ripieni in modo rapido e semplice. Un impasto confezionato richiede un tempo di preparazione più breve rispetto ad uno fatto in casa.*
- *Mettere una teglia nel cestello della friggitrice ad aria calda per cuocere una torta o una quiche o per friggere ingredienti fragili o ingredienti ripieni.*
- *È possibile anche usare la friggitrice ad aria calda per riscaldare gli ingredienti. Per riscaldare gli ingredienti, impostare la temperatura su 150 °C (300 °F) fino ad un massimo di 10 minuti.*

									
Predefiniti	Temperatura (°C)	180	180	180	180	160	200	160	160
	Tempo (min)	16	25	12	18	17	17	25	17
Intervallo	Temperatura (°C)	80-200	80-200	80-200	80-200	80-200	80-200	80-200	80-200
	Tempo (min)	1-60	1-60	1-60	1-60	1-60	1-60	1-60	1-60
Min-max(g)		100-600	100-500	100-500	100-500	100-500	100-500	100-500	100-500

### Pulizia

Pulire l'apparecchio dopo ogni utilizzo.

**Pentola. Non utilizzare utensili da cucina in metallo o materiali di pulizia abrasivi per pulirli, poiché ciò potrebbe danneggiare il rivestimento antiaderente.**

1. Rimuovere la spina dalla presa di corrente e lasciare raffreddare l'apparecchio.

Nota: estrarre la pentola per far raffreddare più rapidamente la friggitrice ad aria calda.

2. Pulire l'esterno dell'apparecchio con un panno umido.

3. Pulire la pentola con acqua calda, del detersivo per piatti e una spugna non abrasiva.

È possibile usare un liquido sgrassante per rimuovere lo sporco residuo.

*Suggerimento: se lo sporco si è depositato sul fondo della pentola, riempire la pentola con acqua calda e del detersivo per piatti. Metti la pentola in ammollo per circa 10 minuti.*

4. Pulire l'interno dell'apparecchio con acqua calda e spugna non abrasiva.

5. Pulire i componenti riscaldanti con una spazzola per la pulizia per rimuovere eventuali residui di cibo.

### Conservazione

1. Scollegare l'apparecchio dalla presa e lasciarlo raffreddare.

2. Assicurarsi che tutte le parti siano pulite e asciutte.

### Ambiente

Non smaltire l'apparecchio con i normali rifiuti domestici quando è usurato, ma portarlo a un punto di raccolta adibito al riciclaggio. In questo modo, contribuirete a preservare l'ambiente.




## Risoluzione dei Problemi

<b>Problema</b>	<b>Possibile causa</b>	<b>Soluzione</b>
La friggitrice ad aria non funziona	L'apparecchio non è collegato alla corrente.	Inserire la spina in una presa di corrente a muro con collegamento a terra.
	Non impostare il timer.	Impostare il timer sul tempo di cottura richiesto per accendere l'apparecchio.
Gli ingredienti fritti con la friggitrice ad aria non sono cotti.	La quantità di ingredienti nella pentola è eccessiva.	Versare quantità minori di ingredienti nella pentola. I lotti più piccoli vengono fritti in modo più uniforme.
	La temperatura impostata è troppo bassa.	Usare il tasto della temperatura per impostarla come richiesto (fare riferimento alla sezione "Impostazioni" nel capitolo "Utilizzo dell'apparecchio").
	Il tempo di cottura è troppo breve.	Usare il tasto del timer per impostarlo come richiesto (fare riferimento alla sezione "Impostazioni" nel capitolo "Utilizzo dell'apparecchio").
Gli ingredienti vengono fritti in modo non uniforme nella friggitrice ad aria.	Alcuni tipi di ingredienti devono essere agitati a metà del tempo di cottura.	Gli ingredienti che si trovano a contatto uno sull'altro o uno di fronte all'altro (ad esempio le patatine fritte) devono essere agitati a metà del tempo di cottura. Fare riferimento alla sezione "Impostazioni" nel capitolo "Utilizzo dell'apparecchio".
Gli snack fritti non sono croccanti quando escono dalla friggitrice ad aria.	È stato usato un tipo di snack che deve essere preparato in una friggitrice tradizionale.	Usare degli snack da forno o passare leggermente dell'olio sugli snack per ottenere un risultato più croccante.
Non si riesce a far scorrere correttamente la padella nell'apparecchio.	Ci sono troppi ingredienti nella pentola.	Non riempire la pentola oltre l'indicatore MAX.
	Il cestello non è posizionato correttamente nella pentola.	Spingere di nuovo la pentola nella direzione corretta
Dall'apparecchio fuoriesce del fumo bianco.	State preparando degli ingredienti grassi.	Quando si friggono ingredienti grassi nella friggitrice ad aria, una grande quantità di olio colerà nella pentola. L'olio produce fumo bianco e la pentola potrebbe surriscaldarsi più del solito. Ciò non influisce sull'apparecchio o sul risultato finale.
	La pentola contiene ancora residui di grasso da una cottura precedente.	Il fumo bianco è causato dal riscaldamento del grasso nella padella. Assicurarsi di pulire sempre correttamente la padella dopo ogni utilizzo.

Le patatine vengono fritte in modo non uniforme nella friggitrice ad aria.	Non avete usato il tipo di patata corretto.	Usare patate fresche e assicurarsi che rimangano sode durante la frittura.
	Non avete sciacquato bene i bastoncini di patate prima di friggerli.	Sciacquare bene i bastoncini di patate per rimuovere l'amido dall'esterno dei bastoncini.
Le patatine fresche non sono croccanti quando escono dalla friggitrice ad aria.	La croccantezza delle patatine dipende dalla quantità di olio e acqua nelle patatine.	Assicurarsi di asciugare bene i bastoncini di patate prima di versare l'olio.
		Tagliare i bastoncini di patate più fini per un risultato più croccante.
		Aggiungere un filo d'olio per ottenere un risultato più croccante.

#### Smaltimento corretto di questo prodotto

	<p>Questo simbolo indica che questo prodotto non deve essere smaltito con altri rifiuti domestici in tutta l'UE. Per prevenire possibili danni all'ambiente o alla salute umana derivanti dallo smaltimento incontrollato dei rifiuti, essi devono essere riciclati in modo responsabile per promuovere il riutilizzo sostenibile delle risorse materiali. Per restituire il dispositivo usato, utilizzare i sistemi di restituzione e raccolta o contattare il rivenditore presso il quale è stato acquistato il prodotto. Il rivenditore potrà ritirare questo prodotto per un riciclaggio sicuro per l'ambiente.</p>
--	---

#### \* Descrizione dell'errore: "E1" L'NTC si stacca o è danneggiato

In caso di dubbio, si prega di contattare il nostro centro assistenza clienti.

I nostri dettagli di contatto sono di seguito:



0039-0249471447



clienti@aosom.it

IMPORTATO DA:  
AOSOM Italy srl  
Centro Direzionale Milanofiori  
Strada 1 Palazzo F1  
20057 Assago (MI)  
P.I.: 08567220960  
FATTO IN CINA

