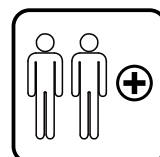
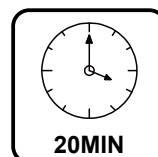
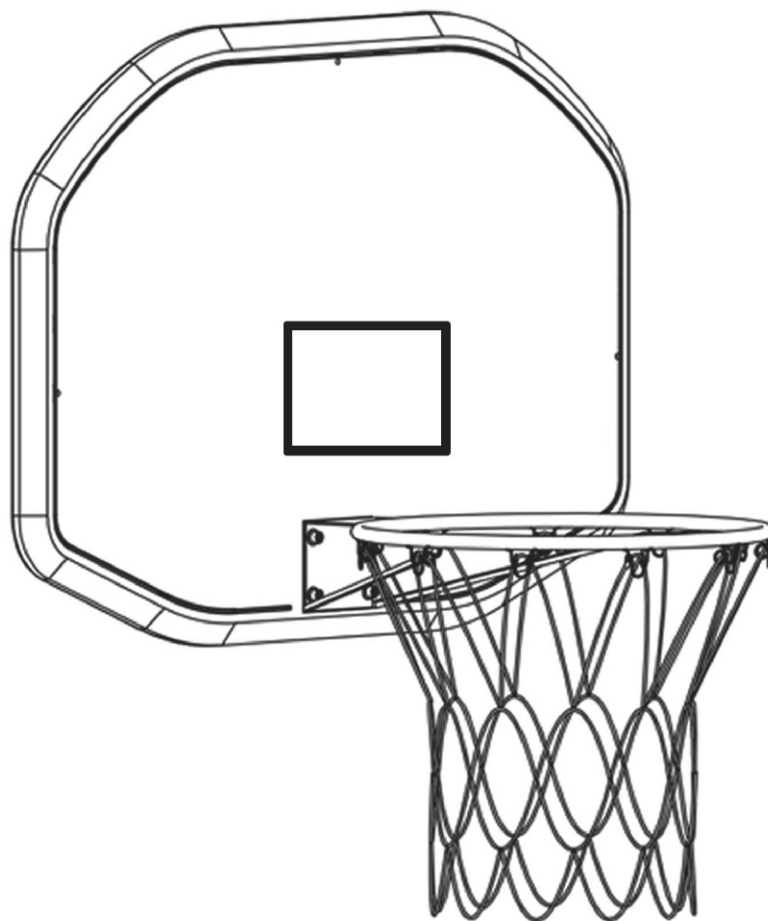


Basketball Backboard





IMPORTANT, RETAIN FOR FUTURE REFERENCE: READ CAREFULLY

ASSEMBLY INSTRUCTION

Dear customer,

Thank you for purchasing this product. So that your appliance serves you well, please read all the instructions in this user's manual. If you have any questions, please contact our customer care center.

Our contact details are below:

Country	 Phone	 Email
UK	0044-800-240-4004	enquiries@mhstar.co.uk

IMPORTER ADDRESS:

MH STAR UK LTD
Unit 27, Perivale Park,
Horsenden lane South
Perivale, UB6 7RH

MADE IN CHINA

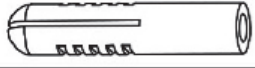



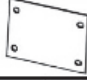



WARNING!!!

GENERAL SAFETY INSTRUCTIONS

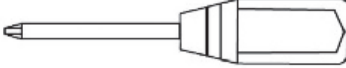


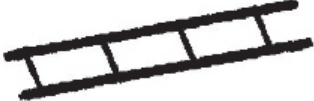
- Two Capable Adults Are Required For This Assembling
- Read And Understand The Manual Before Assembling And Using The Unit. Failure To Follow The Instruction Could Result Injury or Damage To The Property.
- Select the safety place to install the backboard
- Extreme Caution when using ladder
- Make sure the backboard firmly installed on the selected place
- Do not hang from the backboard and rim
- Remove all contents from box and make sure all matches the parts list.
- Do not return the product in store, please contact customer.

Part List

Part #, Description, Picture, Quantity

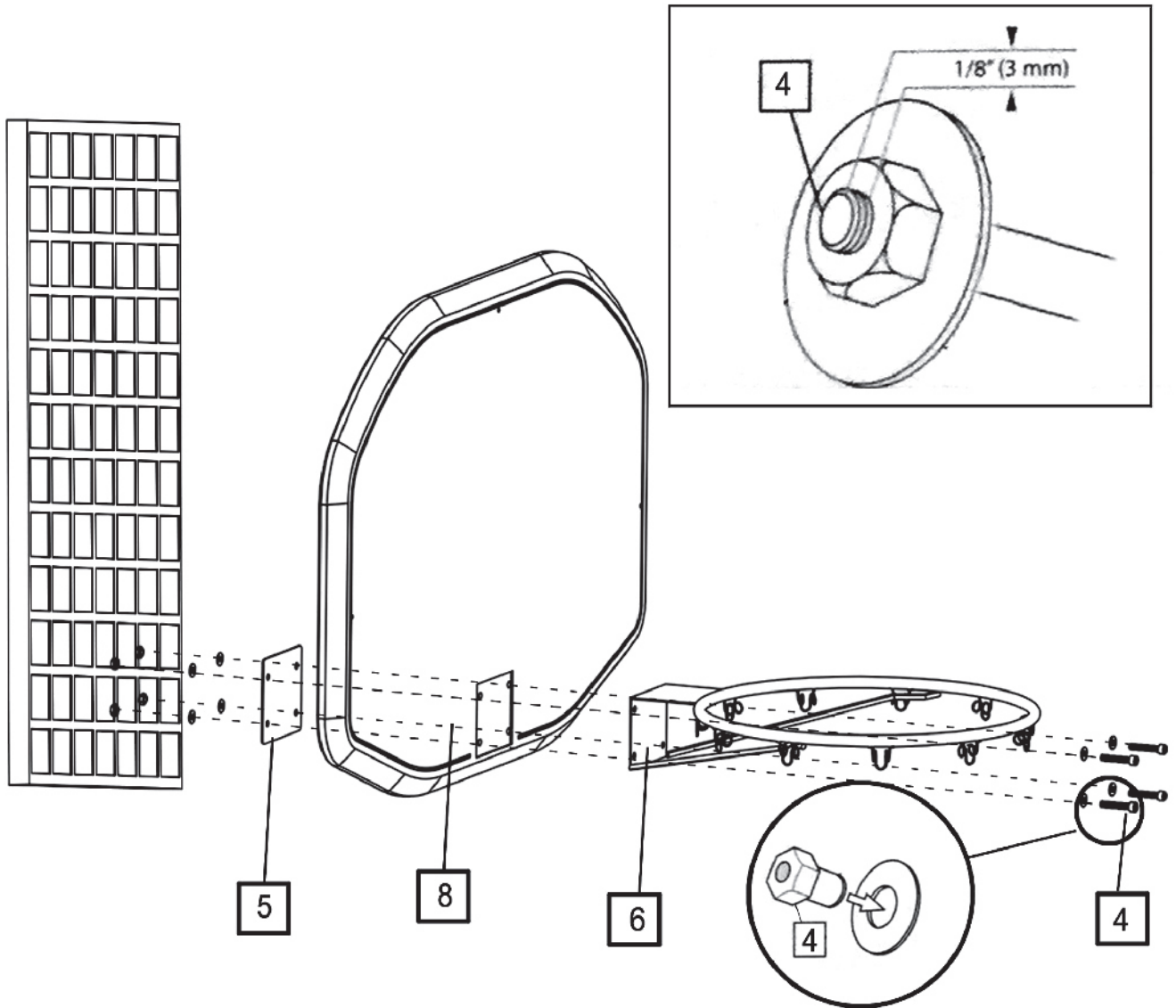
1	Bolt,Nuts,Washer			3pcs
2	Bolt,Nuts,Washer	M6*40mm		3pcs
3	Washer	Φ6.5*Φ15*0.8mm		3pcs
4	Bolt,Nuts,Washer	M8*45mm		4pcs
5	Backboard Connecting Plate			1pc
6	Rim	Φ16*450mm		1pc
7	Net			1pc
8	Backboard			1pc

Tools

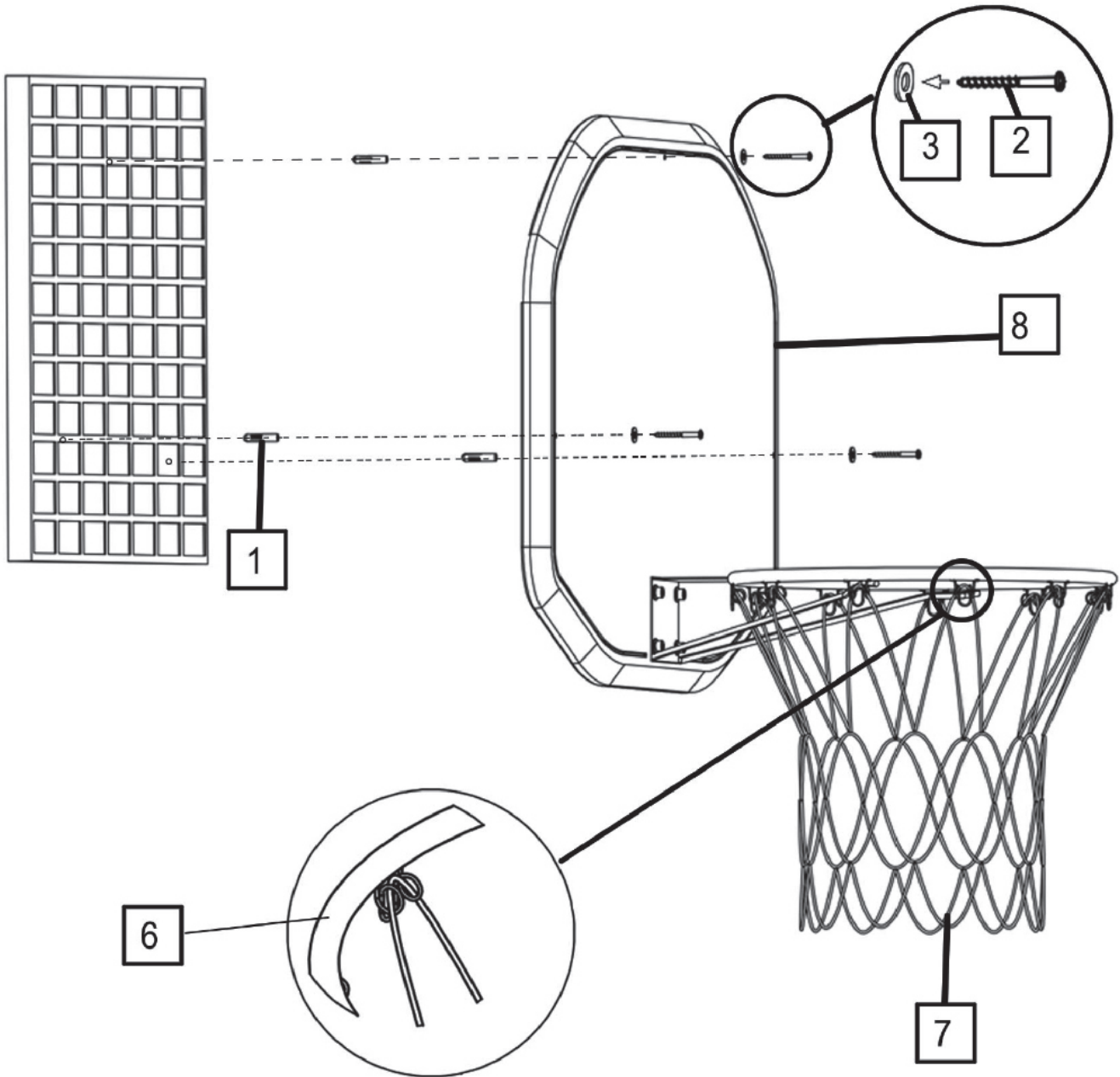
1	Screw Drivers		1 pc	Not included
2	Adjustable Wrench		1 pc	Not included
3	Tape Measures		1 pc	Not included
4	8 ft Ladder		1 pc	Not included

Step 1

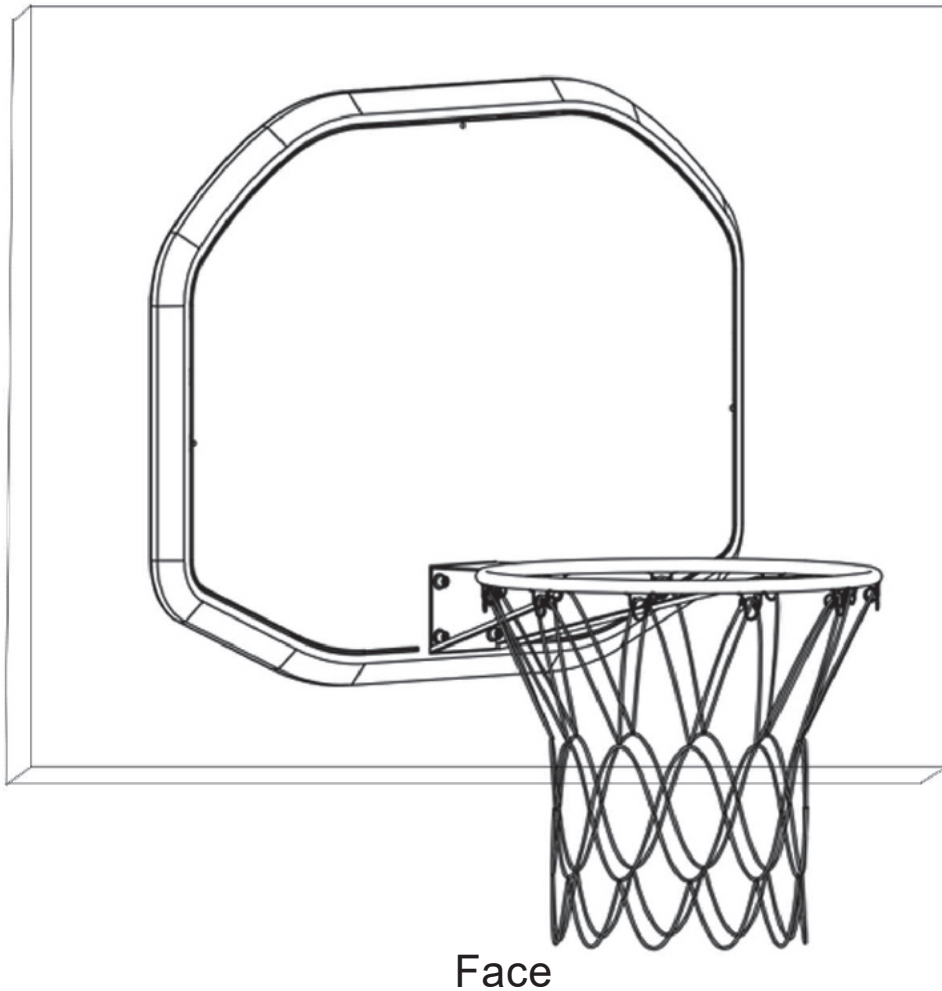
Direct Wall Installation



Step 2



Step 3



Face

Maintenance

Regular check if the backboard is firmly attached on the wall or mounting bracket. It is required to tighten if the screws are loose.