



INfad002V02\_US\_CA

**370-167V80**

## Pushdozer OWNER'S MANUAL

Please read entire manual before starting assembly.

Keep this manual along with your purchase receipt for future reference.

**⚠ WARNING:**  
CHOKING HAZARD-Small parts.  
Not for children under 3 yrs.

**⚠ WARNING:**  
Toy must be assembled by adult before use.

**⚠ CAUTION**  
Screws contain potentially  
hazardous sharp points or sharp  
edges. Adult assembly required.

**⚠ WARNING**  
To reduce the risk of injury, adult  
supervision is required. Never use on road  
ways, near motor vehicles, on or near steep  
inclines or steps, swimming pools or other  
bodies of water. Always wear shoes, and  
never allow more than one rider.

**Contents, colors and decorations may vary from those shown.**

**IMPORTANT, RETAIN FOR FUTURE REFERENCE: READ CAREFULLY**

# ASSEMBLY INSTRUCTION

Specifications:	
Battery:	6V/7AH*1
Motor:	15W*2
Suitable ages:	3-5
Maximum weight:	25kg
Speed :	1.5-2.5km/h
Power way:	Charging type
Use of time:	Charg: 8-12 hours ; Use: 0.58 hours
Charger:	Input AC 120V, 50Hz, output DC 6 V1000 mA

### **WARNING**

1.The pictures in this instruction is only for explaining the operation and structure of the product, when there's any difference with the real product, please confirm with the real product.

2.In order to improve the quality of the product,we may amend some structure or appearance of the product without notification.Thank you for your understanding.

### **FOR THE SAFETY OF YOUR CHILD, PLEASE READ ALL WARNINGS AND ASSEMBLY/USE INSTRUCTIONS. KEEP THIS GUIDE FOR FUTURE REFERENCE.**

- ADULT ASSEMBLY REQUIRED. The product contains small parts, which are for adult assembly only. keep small children away when assembling.
- always remove protective material and poly bags and dispose before assembly.
- never leave child unattended. direct adult supervision is required.
- always keep child in view when child is in vehicle.
- Keep Children within Safe Riding Areas:
  - Never use in roadways, near motor vehicles, on lawn space, on or near steep inclines or steps, swimming pools or or any other dangerous area.
- Use the toy only on flat surfaces. Such as inside your house, garden or playground.
- Never use in the dark. A child could encounter unexpected obstacles and have an accident. Operate the vehicle only in the daytime or a well-lit area.
- Please avoid running on sand or any other rough ground.
- always wear shoes.
- always sit on the seat.
- this toy has no brake.
- It is prohibited to change the circuit or add other electric parts
- Inspect wires and connections of the vehicle periodically.
- Do not let any child touch the wheels or be near them when the car is moving.
- This vehicle has adjustable play seat belts. Please instruct children how to tie the safety belt before using, guarantee the security.

## **STORAGE BATTERY INFORMATION AND MAINTENANCE**

- Please charge 8 to 12 hours before first time use.
- Please use the suitable adapter to charge storage battery, otherwise the ride-on will be damaged.
- Please charge the car once the speed is slower than normal, otherwise it will decrease storage battery life.
- Please fully charge the battery before you put your ride-on away, and remember to recharge the battery every 30 days. This will ensure the normal use of the battery, otherwise, the battery might not hold a charge without proper maintenance.
- Batteries may leak fluids that can cause chemical burn injury or ruin your product.
- To avoid battery leakage: Do not mix old and new batteries or batteries of different types: alkaline, standard (carbon-zinc) or rechargeable (nickel-cadmium).
- Insert batteries as indicated inside the battery compartment. Remove batteries during long periods of non-use.
- Always remove exhausted batteries from the product. Dispose of batteries safely. Do not dispose of batteries in a fire. The batteries may explode or leak.
- Never short-circuit the battery terminals.
- Non-rechargeable batteries are not to be recharged.
- Use only batteries of the same or equivalent type as recommended.
- Do not charge non-rechargeable batteries.
- Remove rechargeable batteries from the product before charging.
- If removable rechargeable batteries are used, they are only to be charged under adult supervision
- Every single charging can not go over 24 hours. Both charger and storage batteries will occur mildly warm during charging. Do not use mal-functioned adapter or storage battery unless they are repaired.
- Charger and storage batteries are not considered as toys.
- Please make periodical inspection for storage battery, especially for adapter wires and plugs.
- Please turn off the switch when the ride-on is not in use. Please do a full charge after long periods of inactivity.
- Charge in well ventilated, dry place. Do not open the battery or the charger.
- Tighten the screws with a screwdriver. DO NOT over tighten

### **Disposal Of Battery:**

1. Your sealed lead-acid battery must be recycled or disposed of in an environmentally sound manner.
2. Do not dispose of your lead-acid battery in a fire. The battery may explode or leak.
3. Do not dispose of a lead-acid battery in your regular, household trash. The incineration, land filling or mixing of sealed lead-acid batteries with house-hold trash is prohibited by law.

## **PREVENT FIRE AND ELECTRIC SHOCK:**

- Use the only rechargeable battery and charger supplied with your vehicle.
- NEVER substitute the battery or the charger with another brand. Using another battery or charger may cause a fire or explosion.
- Do not use the battery or charger for any other product. Overheating, fire or explosion could occur.
- NEVER modify the electric circuit system. Tampering with the electric system may cause a shock, fire or explosion or may permanently damage the system.
- Do not allow direct contact between battery terminals. Fire or explosion can occur.
- Do not allow any type of liquid on the battery or its components.
- Explosive gasses are created during charging. Do not charge near heat or flammable materials. Charge the battery in a well- ventilated area ONLY.
- NEVER pick up the battery by the wires or charger. Damage can occur to the battery and may cause a fire. Pick up the battery by the case ONLY.

Charge the battery in a dry area ONLY.

●Battery posts, terminals and related accessories contain lead and lead compounds, chemicals known to the State of California to cause cancer and reproductive harm. Wash hands after handling.

●Do not open the battery. Battery contains lead acid and other materials that are toxic and corrosive.

●Do not open the charger. Exposed wiring and circuitry inside case may cause electric shock.

ONLY adults may handle or charge the battery. NEVER allow child to handle or charge the battery. Battery is heavy and contains lead acid (electrolyte).

●Do not drop the battery. Permanent damage to the battery could occur or cause serious injury.

●Before charging the battery, check for wear or damage to the battery, charger, its supply cord and the connectors. DO NOT charge the battery if any damage to parts has occurred.

Do not allow the battery to drain completely. Recharge the battery after each use or once a month if not used regularly.

●Do not charge battery upside down.

●Always secure the battery with the bracket. Battery can fall out and injure a child if vehicle tips over.

●It is parents' responsibility to check main parts of the toy before using, Must regularly examine for potential hazard, such as the battery, charge, cable or cord, plug, screws are fastening enclosure of other parts and that in the event of such damage, the toy must not be until that damage had been properly removed. Make sure the plastic parts of the vehicle are not cracked or broken.

●Occasionally use a lightweight oil to lubricate moving parts such as wheels.

●Park the vehicle indoors or cover it with a tarp to protect it from wet weather.

●Keep the vehicle away from sources of heat, such as stoves and heaters. Plastic parts may melt.

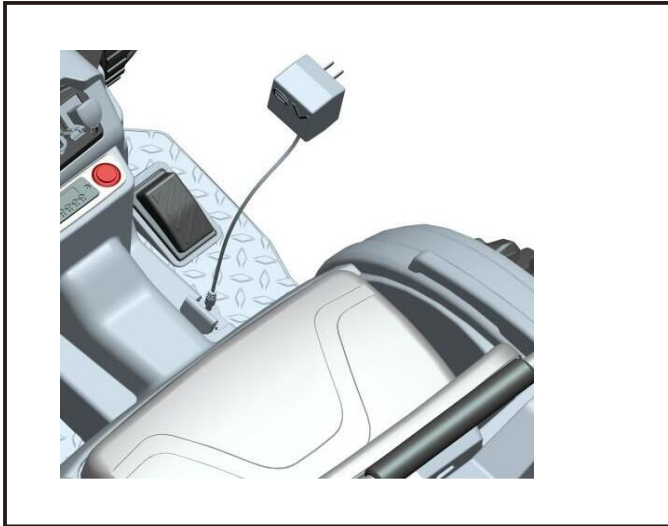
●Recharge the battery after each use. Only an adult can handle the battery. Recharge the battery at least once a month when the vehicle Raider is not being used.

●Do not wash the vehicle with a hose. Do not wash the vehicle with soap and water. Do not drive the vehicle in rainy or snowy weather. Water will damage the motor, electric system and battery.

●Clean the vehicle with a soft, dry cloth. To restore shine to plastic parts, use a non-wax furniture polish. Do not use car wax. Do not use abrasive cleaners.

●Do not drive the vehicle in loose dirt, sand or fine gravel which could damage moving parts, motors or the electric system.

●When not using, all the electrical source should be turn off. Turn off the power switch and disconnect the battery connection.



### Charge the Battery

The first charge will take about 12 hours.

Tips 1: Charge the car directly from the socket.



Tips 2: Take out the battery, charging the battery separately.

- Plug the battery connector into the charger port.
- Plug the charger into a standard wall outlet. The charger may feel warm during charging.
- Only use the 6 volt charger to charge your 6 volt battery.
- Note: if power flow to the wall outlet is controlled by a switch, make sure the switch is "ON"
- Before first-time use, charge the battery for at least 12 hours. Never charge the battery longer than 24 hours.
- Recharge the battery for at least 8-10 hours after each use of your vehicle.
- Do not charge or store battery upside down. Charging produces explosive gases. Charge away from flames, sparks and lit cigarettes. Charge in a well ventilated area.
- Once the battery is charged, disconnect the battery connector from the charger connector. Unplug the charger from the wall outlet. The battery is now ready to be installed in your vehicle. Please see the following Battery installation Section for detailed instructions on installing your vehicle:



### Battery Replacement

1. Lift the seat out.
2. Disconnect the battery connectors.
3. Remove the 4 screws on the sides of the battery.
4. Take out the battery from the battery compartments.

- Please identify all parts before assembly and save all packaging material until assembly is completed to ensure that no parts are discarded.
- Metal parts have been coated with lubricant for protection during shipment. Wipe all metal parts with a paper towel to remove any excess lubricant.

<p><b>A x 1</b></p>  <p>Main body</p>	<p><b>B x 1</b></p>  <p>Steering Wheel</p>	<p><b>C x 1</b></p>  <p>Rear Handrail</p>	
<p><b>D x 2</b></p>  <p>Rear Wheel</p>	<p><b>E x 2</b></p>  <p>Front Wheel</p>	<p><b>F x 4</b></p>  <p>Wheel Cover</p>	
<p><b>G x 1</b></p>  <p>Seat</p>	<p><b>H x 1</b></p>  <p>Scraper bucket assembly</p>	<p><b>I x 1</b></p>  <p>Charger</p>	
<p><b>J x 4</b></p>  <p>Pin</p>	<p><b>K x 6</b> + 1 spare</p>  <p>Washer (10x 1.5mm)</p>	<p><b>L x 1</b></p>  <p>Tool</p>	<p><b>M x 1</b></p>  <p>Manual</p>

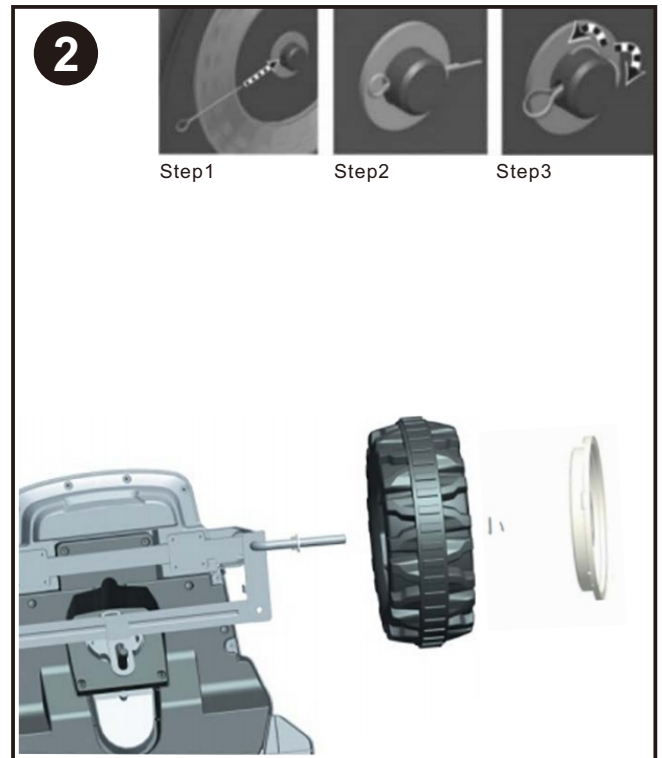
# Assembly

Children can be harmed by small parts, sharp edges and sharp points in the vehicles unassembled state, or by electrical items. Care should be taken in unpacking and assembling the vehicle. Children should not handle parts, including the battery, or help in the assembly of the vehicle.



## Rear Wheel Assembly

Assemble all the parts in sequence as picture shown. Insert a pin to the hole of the Rear axle and make it to "M" shape by a plier. "Snap" a hubcap into the center. Repeat the process for the other side.

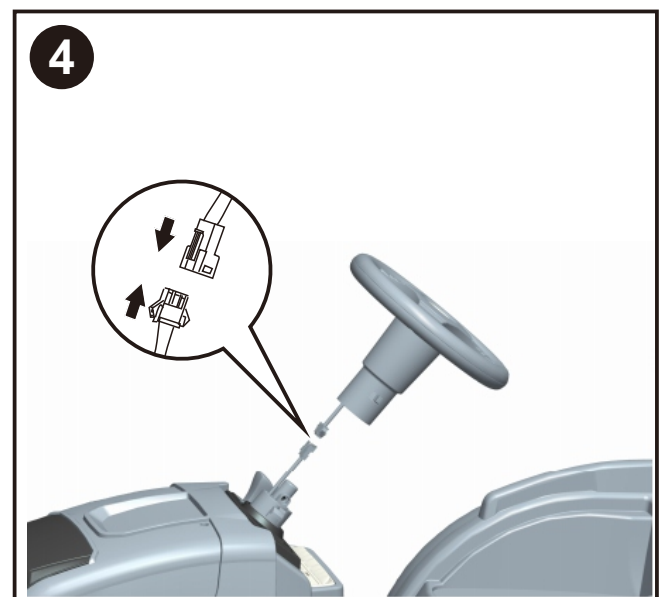


## Front Wheel Assembly

Assemble all the parts in sequence as picture shown. Insert a pin to the hole of the front axle and make it to "M" shape by a plier. "Snap" a hubcap into the center. Repeat the process for the other side.



"Snap" the wheel cover into the right place, Repeat the process for the other three wheels.



## Steering wheel Assembly

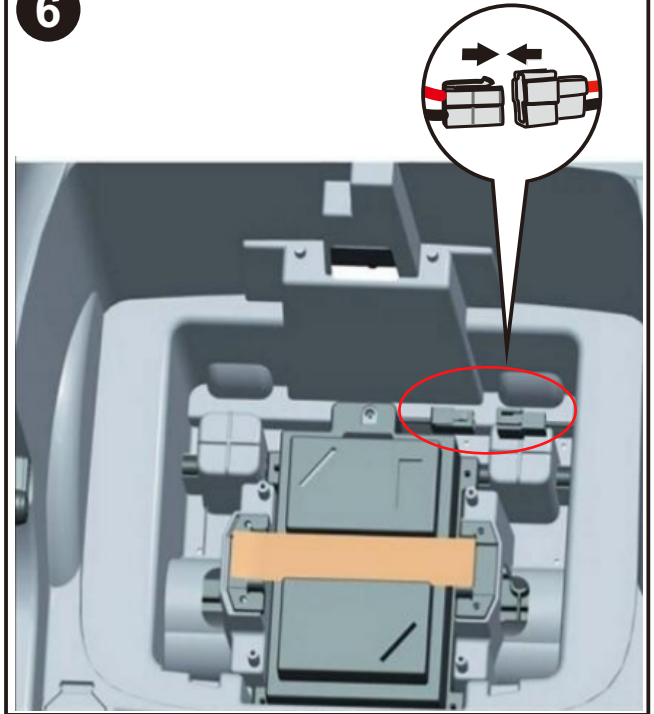
Plug connectors. Place the steering wheel onto the turning shaft, press it to the right place.

5



**Rear Handrail Assembly**  
Snap the handrail to the right place on the car body.

6



**Battery Assembly.**  
Plug connector in the battery box as picture shown.

7



**Seat Assembly**  
Insert the seat to the slots of the main body, press it to the right place . Just slide the snap joint to the right if taking off the seat.

8



**Scraper bucket assembly**  
Place the scraper bucket on the main body as picture shown, then use the tool fasten the Nut.



# Operating your vehicle

## **Power switch**

Switch button ON and OFF.

## **Forward**

Push the shifter in upward position and press the accelerator slowly.

## **Reverse**

Push the shifter in downward position and press the accelerator slowly.

## **Low speed**

Vehicle has been pre-set to operate at low speed (2.5 mph, (3 km/h) maximum). Once your child has mastered safe driving skills and understands the Safe Driving Rules.

## **High speed**

vehicle to be driven at the higher speed (3 mph, 5km/h) maximum.

Make sure your child can safely steer and operate the vehicle and knows the rules for safe driving.

## **Stop**

Vehicle will automatically stop after the accelerator is released.

## **Sound effect**

Press the button on the steering wheel

## **Safety device**

AUTO POWER OFF. If the motor is overloaded for any reason, including improper usage, an electrical circuit breaker will automatically cut off the power, then resume after the parts have cooled!

## **Maintenance**

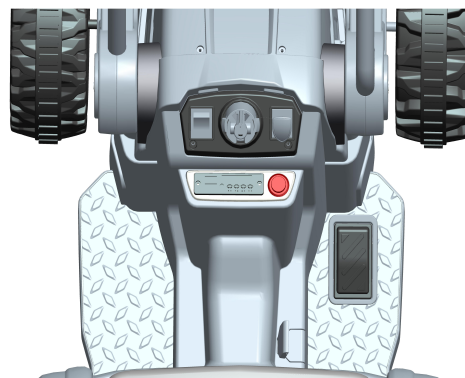
Clean with a dry, soft cloth only. Do not wash with water or corrosive agents.

Store vehicle in a dry area when not in use, since moisture could cause the metal components and electrical parts to corrode.

Remember to charge the battery monthly while the vehicle is not in regular use.

Check and tighten all screws and coverings regularly.

Check all plastic parts for cracks. Replace as necessary.

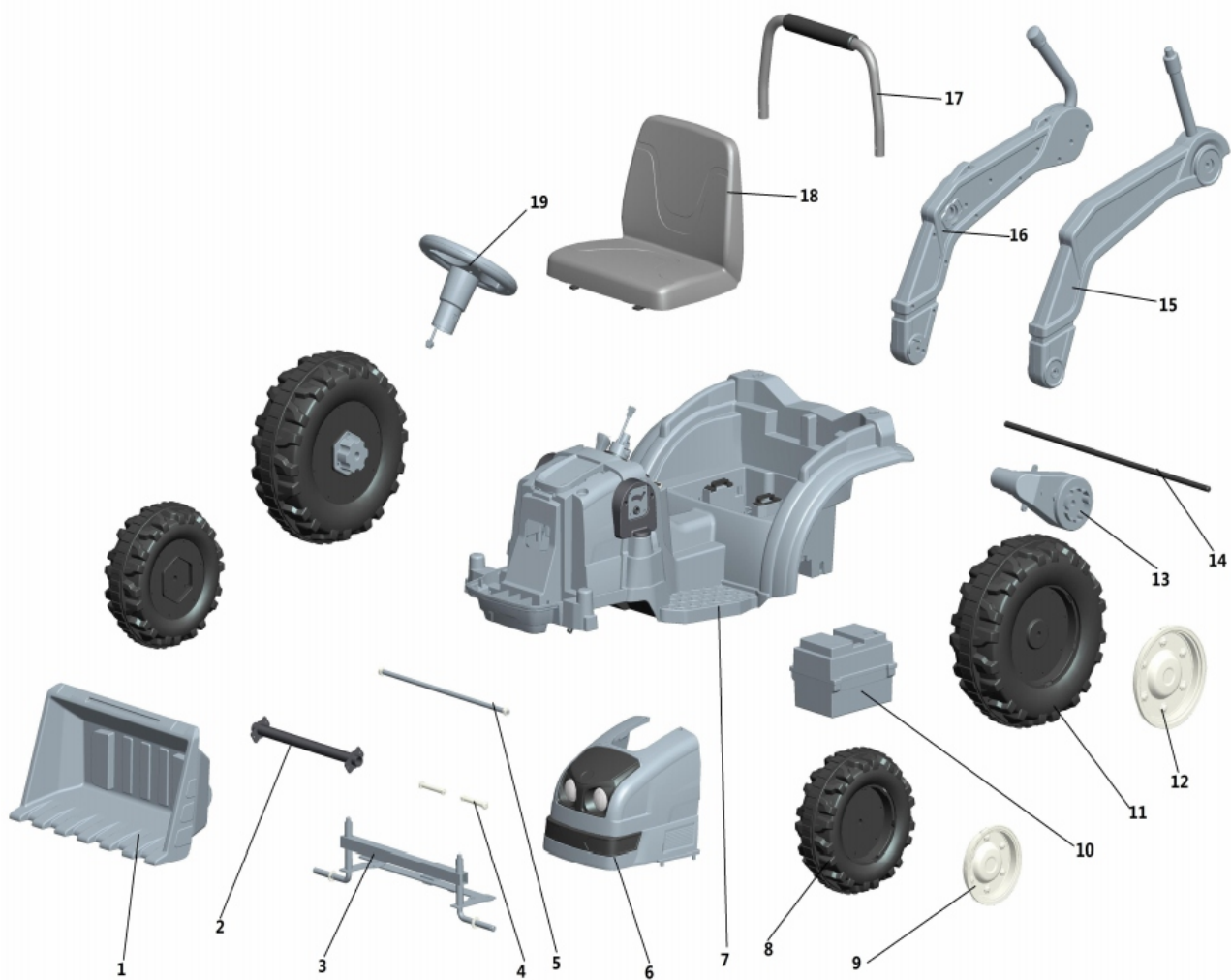


# Troubleshooting

Problem	Possible Cause	Solution
car does not move	Circuit breaker tripped	Circuit breaker may "trip" and stop the vehicle if it is overloaded or the driving conditions too severe. The breaker will automatically reset after approximately 10 seconds, and the vehicle will operate normally. To avoid repeated automatic shut downs, do not overload the vehicle by exceeding the weight limited of 25kg (55 lbs). Or by towing anything behind the vehicle. Do not drive up hills or run into fixed objects, which can cause the wheels to stop spinning while power is still being supplied to the motors.
	Loose wire or connectors	Check all wires and connectors Make sure that the motor harness connector is plugged in tightly to the battery, and that there are no loose wires around the motor.
	Dead battery	An old or improperly cared battery may be dead. If you are unsure whether it is dead or not, you can have it tested at your Service Canter.
	Undercharged battery	A new battery should have been charged for at least 12 hours before using the vehicle for the first time. After that, it must be recharge the battery for at least 8-10 hours after each use. Never charge longer than 24 hours. Check all connectors; make sure the charger is plugged into the wall. Make sure the power flow to the outlet is on.
	Charger is not working	You must have a volt meter in order to tell whether the charger is working or not. If you think there maybe a problem with the charger, take it to the Service Center where they will test it for you.
	Damaged switch	When exposed to water or moisture, switches can become corroded, or can jam due to loose dirt, sand or gravel. Contact your Service Center for diagnosis and repair.

Problem	Possible Cause	Solution
Car was running but suddenly stopped	Loose wire or connectors	Check all wires and connectors. Make sure that the motor harness connector is plugged into the battery tightly, and that there are no loose wires around the motor.
	Circuit breaker tripped	Circuit breaker may "trip" and stop the vehicle if it is overloaded or the driving conditions too severe. The breaker will automatically reset after approximately 10 seconds, and the vehicle will operate normally. To avoid repeated automatic shutdowns, do not overload the vehicle by exceeding the weight limited of 25kg (55 lbs), or by towing anything behind the vehicle. Do not drive up hills or run into fixed object, which can cause the wheels to stop spinning while power is still being supplied to the motors. If breaker continually trips, contact your Service Center.
Short operating time (less than 1 hours per charge)	Undercharged battery	A new battery should have been charged for at least 12hours before using the vehicle for the first time. After that, it must be recharge the battery for at least 8-10 hours after each use.
	Overcharged battery	Never charge longer than 24 hours. Check all connectors; make sure the charger is plugged into the wall. Make sure the power flow to the outlet is on. Never charge battery longer than 24 hours. If you think the battery maybe damage due to overcharging, contact Service Center for testing.
	Old battery will not accept a full charge	Even with proper care, a rechargeable battery does not last forever. Average battery life is 1 to 3 years depending on vehicle use and use conditions. Replace the battery with a new rechargeable battery. Do not substitute parts. To get a replacement battery, please contact Service Center.

<b>Problem</b>	<b>Possible Cause</b>	<b>Solution</b>
Vehicle is sluggish	Undercharged battery	A new battery should have been charged for at least 12 hours before using the vehicle for the first time. After that, it must be recharge the battery for at least 8-10 hours after each use. Never charge longer than 24 hours. Check all connectors; make sure the charger is plugged into the wall. Make sure the power flow to the outlet is on.
	Battery needs charging	Be sure to charge the battery after each use.
	Old battery will not accept a full charge	Even with proper care, a rechargeable battery does not last forever. Average battery life is 1 to 3 years depending on vehicle use and use conditions. Replace the battery with a new rechargeable battery. Do not substitute parts. To get a replacement battery, please contact Service Center.
	Vehicle is overloaded	Allow no more than 1 rider at a time, follow the 25kg (55lbs) weight capacity and don't tow anything behind the vehicle.
	Driving conditions are too stressful	Use only on a generally level ground.
Intermittent vehicle operation	Loose wire or connector	Check all wires around the motors and all connectors to make sure they are tight.
	Motor or electrical switch damage	Contact your Service Center for diagnosis and repair.
When the accelerator is pressed, the vehicle won't run without a push	Loose wire or connector	Check all wires around the motors and all connectors to make sure they are tight.
	"Dead Spot on motor	Contact your Service Center for diagnosis and repair.
Motor gear box makes a loud grinding or clacking noise	Broken gears	Contact your Service Center for diagnosis and repair.
Charger get warm during use	This is normal and should not be concern	No action required.
Battery makes gurgling or sizzling noise while charging	Some noise and swelling is normal and should not be a concern	No action required. If the battery does not make noise while charging. It does not mean it is not accepting the charging.



Note: Some parts shown are assembled to both sides of the vehicle.

No. Part	Quantity	No. Part	Quantity
1.Scraper bucket	1pc	7.Main body	1pc
2.Front Axel Assembly	1pc	8.Front Wheel	2pcs
3.Front wheels Axel	1pc	9.Front Wheel cover	2pcs
4.Scraper bucket front Axel	2pcs	10.Battery box (Including Battery)	1pc
5.Scraper bucket Rear Axel	1pc	11.Rear Wheel	2pcs
6.Front Assembly	1pc	12.Rear Wheel cover	2pcs

No. Part	Quantity
13.Motor	2pcs
14.Rear Axel	1pc
15.Left Scraper bucket	1pc
16.Right Scraper bucket	1pc
17. Rear Handrail	1pc
18.Seat	1pc
19.Streering wheel	1pc



## **PUSHDOZER** **manuel du propriétaire**

Veillez lire l'intégralité du manuel avant de commencer le montage.  
Conservez ce manuel avec votre reçu d'achat pour toute référence ultérieure.

**⚠️ AVERTISSEMENT**  
RISQUE D'ÉTOUFFEMENT - Petites pièces. Déconseillé aux enfants de moins de 3 ans.

**⚠️ AVERTISSEMENT**  
Le jouet doit être assemblé par un adulte avant d'être utilisé.

**⚠️ ATTENTION**  
Les vis contiennent des pointes ou des bords tranchants potentiellement dangereux. Un assemblage par un adulte est requis.

**⚠️ AVERTISSEMENT**  
Pour réduire les risques de blessures, la surveillance d'un adulte est requise. Ne jamais l'utiliser sur la chaussée, à proximité de véhicules à moteur, sur ou près de pentes ou de marches abruptes, de piscines ou d'autres plans d'eau. Portez toujours des chaussures et ne permettez jamais à plus d'un conducteur de monter à bord.

**Le contenu, les couleurs et les décorations peuvent varier par rapport à ceux présentés.**

Spécifications:	
Batterie :	6V/7AH*1
Moteur :	15W*2
Âges appropriés :	3-5
Poids maximum :	25kg
Vitesse :	1.5-2.5km/h
Mode de puissance :	Type de charge
Utilisation du temps :	Charge : 8-12 heures ; Utilisation : 0.58 heures
Chargeur :	Entrée CA 120 V, 50Hz, sortie CD 6V 1000mA

### AVERTISSEMENT

1. Les images de cette instruction servent uniquement à expliquer le fonctionnement et la structure du produit. En cas de différence avec le produit réel, veuillez confirmer avec le produit réel.
2. Afin d'améliorer la qualité du produit, nous pouvons modifier la structure ou l'apparence du produit sans notification. Nous vous remercions de votre compréhension.

### **POUR LA SÉCURITÉ DE VOTRE ENFANT, VEUILLEZ LIRE TOUS LES AVERTISSEMENTS ET LES INSTRUCTIONS D'ASSEMBLAGE/UTILISATION. KEEP THIS GUIDE POUR RÉFÉRENCE ULTERIEURE.**

- **ASSEMBLAGE ADULTE REQUIS.** Le produit contient de petites pièces, qui sont réservées à l'assemblage par un adulte. Gardez les petits enfants à l'écart lors de l'assemblage.
- Retirez toujours le matériel de protection et les sacs poly et éliminez -les avant l'assemblage.
- Ne laissez jamais l'enfant sans surveillance. une supervision directe des adultes est requise.
- Gardez toujours l'enfant en vue lorsqu'il est dans le véhicule.
- Gardez les enfants dans des zones de conduites sûres :
  - N'utilisez jamais ce véhicule sur les routes, à proximité de véhicules automobiles, sur la pelouse, sur ou à proximité de pentes ou de marches abruptes, de piscines ou de toute autre zone dangereuse.
- N'utilisez le jouet que sur des surfaces planes. Par exemple à l'intérieur de votre maison, dans votre jardin ou sur votre terrain de jeu.
- Ne jamais utiliser dans l'obscurité. Un enfant peut rencontrer des obstacles inattendus et avoir un accident. Conduisez le véhicule uniquement dans la journée ou une zone bien éclairée.
- Veuillez éviter de rouler sur du sable ou tout autre terrain accidenté.
- Portez toujours des chaussures.
- Toujours s'asseoir sur le siège.
- Ce jouet n'a pas de frein.
- Il est interdit de changer le circuit ou d'ajouter d'autres pièces électriques
- Inspecter périodiquement les fils et les connexions du véhicule.
- Ne laissez aucun enfant toucher les roues ou ne soyez près d'eux lorsque la voiture est en mouvement.
- Ce véhicule est équipé de ceintures de sécurité à jeu réglable. Veuillez indiquer aux enfants comment attacher la ceinture de sécurité avant de l'utiliser, afin de garantir la sécurité.

## **INFORMATIONS DE STOCKAGE ET MAINTENANCE DE LA BATTERIE**

- Veuillez charger 8 à 12 heures avant la première utilisation.
- Veuillez utiliser l'adaptateur approprié pour recharger la batterie de stockage, sinon le véhicule sera endommagé.
- Veuillez charger la voiture une fois que la vitesse est plus lente que la normale, sinon la durée de vie de la batterie de stockage sera réduite.
- Veuillez recharger complètement la batterie avant de ranger votre véhicule et n'oubliez pas de recharger la batterie tous les 30 jours. Cela permettra d'assurer l'utilisation normale de la batterie, sinon, la batterie pourrait ne pas tenir une charge sans entretien approprié.
- Les batteries peuvent fuir des fluides qui peuvent causer des brûlures chimiques ou ruiner votre produit.
- Pour éviter les fuites de batterie : Ne mélangez pas les batteries anciennes et nouvelles ou les batteries de différents types : alcalines, standard (carbone-zinc) ou rechargeables (nickel-cadmium).
- Insérez les batteries comme indiqué à l'intérieur du compartiment de la batterie. Retirez les batteries pendant de longues périodes de non-utilisation.
- Retirez toujours les batteries épuisées du produit. Éliminez les batteries en toute sécurité. Ne jetez pas les batteries dans un feu. Les piles peuvent exploser ou fuir.
- Ne court-circuitez jamais les bornes de batterie.
- Les batteries non rechargeables ne doivent pas être rechargées.
- N'utilisez que des batteries du même type ou de l'équivalent comme recommandé.
- Ne chargez pas les batteries non rechargeables.
- Retirez les batteries rechargeables du produit avant de les charger.
- Si des batteries rechargeables amovibles sont utilisées, elles ne doivent être chargées que sous la supervision d'un adulte
- Chaque charge ne peut pas aller sur les heures 24. Les batteries de chargeur et de stockage se produiront légèrement au chaud pendant la charge. N'utilisez pas d'adaptateur ou de batterie de stockage mal fonctionnelle à moins qu'ils ne soient réparés.
- Les chargeurs et les batteries de stockage ne sont pas considérés comme des jouets.
- Veuillez faire l'inspection périodique pour la batterie de stockage, en particulier les fils et les fiches de l'adaptateur.
- Veuillez éteindre l'interrupteur lorsque le véhicule n'est pas utilisé. Veuillez faire une charge complète après de longues périodes d'inactivité.
- Chargez dans un endroit bien aéré et sec. N'ouvrez pas la batterie ou le chargeur.
- Serrez les vis à l'aide d'un tournevis. NE PAS trop serrer

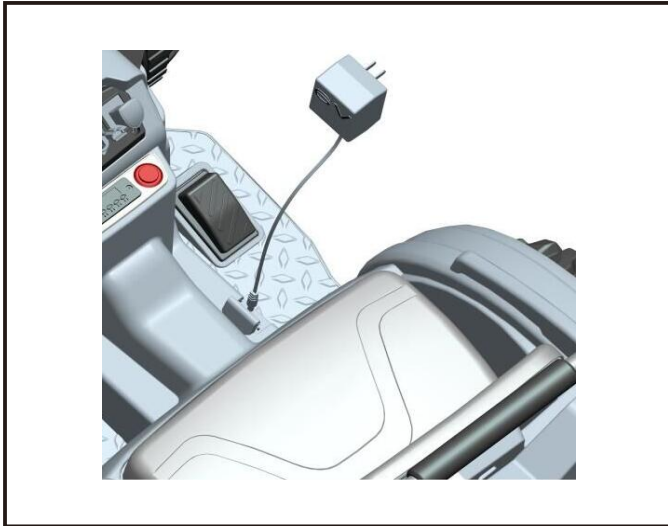
### **Élimination de la batterie:**

1. Votre batterie au plomb scellée doit être recyclée ou éliminée d'une manière respectueuse de l'environnement.
2. Ne jetez pas votre batterie au plomb dans un incendie. La batterie peut exploser ou fuir.
3. Ne jetez pas votre batterie au plomb dans les ordures ménagères. L'incinération, la mise en décharge ou le mélange de batteries au plomb scellées avec les ordures ménagères est interdit par la loi.



## PRÉVENIR LE FEU ET LES CHOCS ÉLECTRIQUES :

- Utilisez la seule batterie rechargeable et chargeur supplied avec votre véhicule.
  - NE JAMAIS remplacer la batterie ou le chargeur par une autre marque. L'utilisation d'une autre batterie ou d'un chargeur peut provoquer un incendie ou une explosion.
  - N'utilisez pas la batterie ou le chargeur pour tout autre produit. Une surchauffe, un incendie ou une explosion pourraient se produire.
  - NE JAMAIS modifier le système de circuit électrique. La manipulation du système électrique peut provoquer un choc, un incendie ou une explosion ou endommager de façon permanente le système.
  - Ne pas permettre le contact direct entre les bornes de batterie. Un incendie ou une explosion peut se produire.
  - Ne permettez pas tout type de liquide sur la batterie ou ses composants.
  - Des gaz explosifs sont créés lors de la charge. Ne pas charger à proximité de chaleur ou de matériaux inflammables. Chargez la batterie dans un endroit bien ventilé **UNIQUEMENT**.
  - Ne prenez **JAMAIS** la batterie par les fils ou le chargeur. La batterie peut être endommagée et provoquer un incendie. Ne ramassez la batterie qu'à la caisse **UNIQUEMENT**.
  - Chargez la batterie dans un endroit sec **UNIQUEMENT**.
  - Les poteaux de batterie, les terminaux et les accessoires connexes contiennent du plomb et des composés de plomb, des produits chimiques connus de l'État de Californie pour causer le cancer et des dommages à la reproduction. Laver les mains après manipulation.
  - N'ouvrez pas la batterie. La batterie contient de l'acide de plomb et d'autres matériaux toxiques et corrosifs.
  - N'ouvrez pas le chargeur. Le câblage exposé et les circuits à l'intérieur du boîtier peuvent causer un choc électrique.
- Seuls les adultes peuvent manipuler ou charger la batterie. Ne jamais permettre à l'enfant de manipuler ou de charger la batterie. La batterie est lourde et contient de l'acide de plomb (électrolyte).
- Ne laissez pas tomber la batterie. Des dommages permanents à la batterie peuvent survenir ou causer des blessures graves.
  - Avant de charger la batterie, vérifiez l'usure ou les dommages à la batterie, au chargeur, à son cordon d'alimentation et aux connecteurs. NE chargez PAS la batterie si des pièces ont été endommagées.
- Ne laissez pas la batterie s'écouler complètement. Rechargez la batterie après chaque utilisation ou une fois par mois si elle n'est pas utilisée régulièrement.
- Ne chargez pas la batterie à l'envers.
  - Sécurisez toujours la batterie avec le support. La batterie peut tomber et blesser un enfant si le véhicule se renverse.
  - Il est de la responsabilité des parents de vérifier les parties principales du jouet avant d'utiliser, Ils doivent examiner régulièrement les dangers potentiels, tels que la batterie, la charge, le câble ou le cordon, la prise, les vis de fixation du boîtier des autres parties et, en cas de dommage, le jouet ne doit pas l'être avant que ce dommage ait été correctement éliminé. Veillez à ce que les pièces en plastique du véhicule ne sont pas fissurées ou cassées.
  - Utilisez occasionnellement une huile légère pour lubrifier les pièces mobiles telles que les roues.
  - Garez le véhicule à l'intérieur ou couvrez-le d'une bâche pour le protéger des intempéries.
  - Éloignez le véhicule des sources de chaleur, comme les poêles et les appareils de chauffage. Les pièces en plastique peuvent fondre.



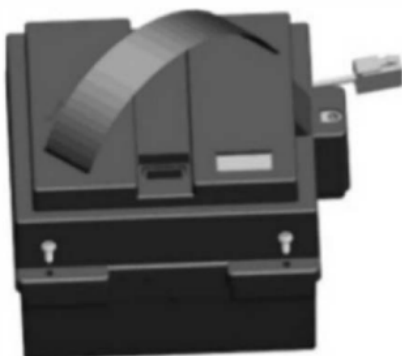
### Recharge de la batterie

La première recharge prendra environ 12 heures.

Conseil 1 : Chargez la voiture directement à partir de la prise située sur le tableau de bord / le tableau d'instruments.

Conseil 2 : retirez la batterie et chargez-la séparément.

- Branchez le connecteur de la batterie dans le port du chargeur.
- Branchez le chargeur dans une prise murale standard. Le chargeur peut chauffer pendant la charge.
- N'utilisez qu'un chargeur de 6 volts pour charger votre batterie de 6 volts.
- Remarque : si l'alimentation de la prise murale est contrôlée par un interrupteur, assurez-vous que l'interrupteur est sur "ON".
- Avant la première utilisation, chargez la batterie pendant au moins 12 heures. Ne chargez jamais la batterie pendant plus de 24 heures.
- Rechargez la batterie pendant au moins 8 à 10 heures après chaque utilisation de votre véhicule.
- Ne chargez pas et ne rangez pas la batterie à l'envers. La charge génère des gaz explosifs. Chargez la batterie loin des flammes, des étincelles et des cigarettes allumées. Chargez la batterie dans un endroit bien ventilé.
- Une fois la batterie chargée, débranchez le connecteur de la batterie du connecteur du chargeur. Débranchez le chargeur de la prise murale. La batterie est maintenant prête à être installée dans votre véhicule. Veuillez consulter la section suivante sur l'installation de la batterie pour obtenir des instructions détaillées sur l'installation de votre véhicule :

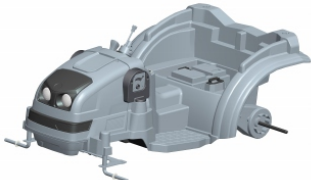

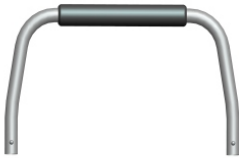



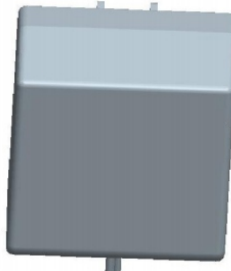



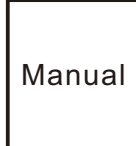


### Remplacement de la batterie

1. Soulever le siège.
2. Débranchez les connecteurs de la batterie.
3. Retirer les 4 vis situées sur les côtés de la batterie.
4. Sortez la batterie de son compartiment.

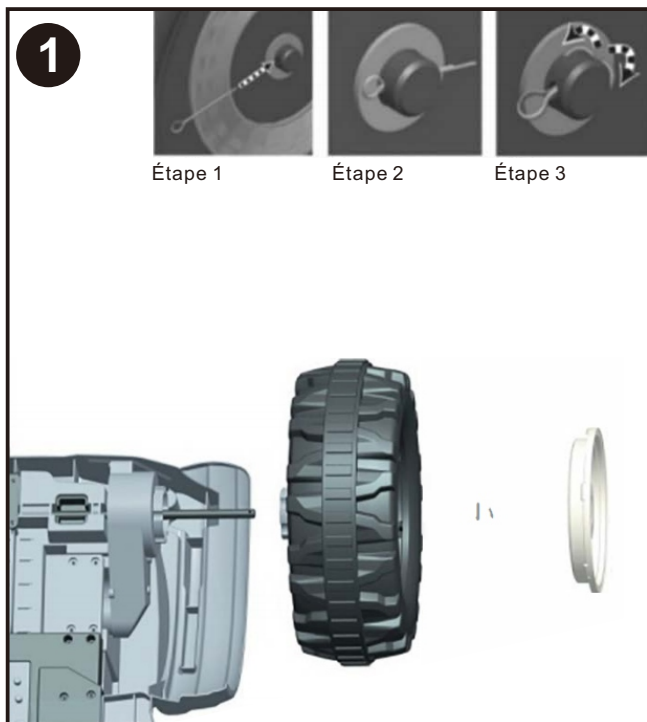
• Veuillez identifier toutes les pièces avant l'assemblage et conserver tous les matériaux d'emballage jusqu'à la fin de l'assemblage afin de vous assurer qu'aucune pièce n'est perdue.

• Les pièces métalliques ont été enduites de lubrifiant pour les protéger pendant le transport. Essuyez toutes les pièces métalliques avec une serviette en papier pour enlever tout excès de lubrifiant.

 <b>A x 1</b> Corps principal	 <b>B x 1</b> Volant	 <b>C x 1</b> Garde-corps arrière	
 <b>D x 2</b> Roue arrière	 <b>E x 2</b> Roue avant	 <b>F x 4</b> Enjoliveur	
 <b>G x 1</b> Siège	 <b>H x 1</b> Ensemble de godet racleur	 <b>I x 1</b> Chargeur	
 <b>J x 4</b> Goupille	 <b>K x 6</b> Rondelle (10*1,5mm)	 <b>L x 1</b> Outil	 <b>M x 1</b> Manuel

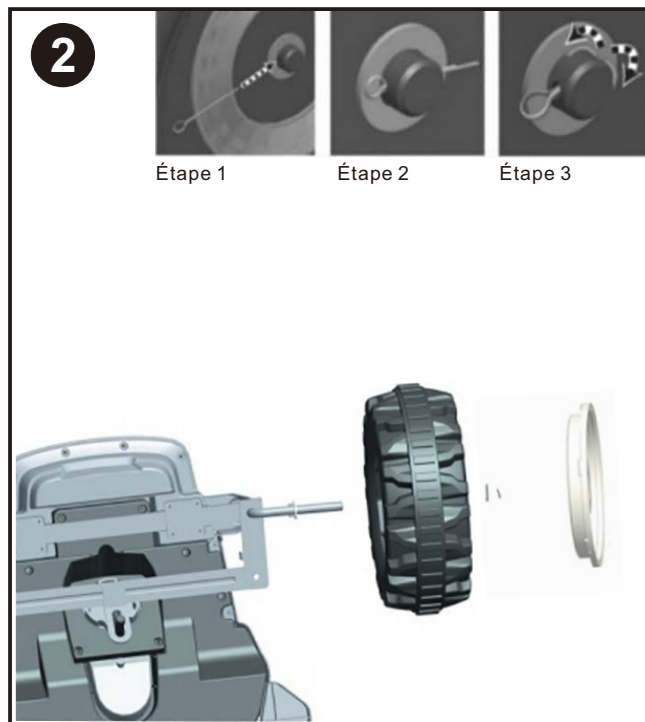
# Assembly

Les enfants peuvent se blesser avec de petites pièces, des bords tranchants et des pointes acérées dans l'état non assemblé du véhicule, ou avec des articles électriques. Il convient d'être prudent lors du déballage et du montage du véhicule. Les enfants ne doivent pas manipuler les pièces, y compris la batterie, ni aider à l'assemblage du véhicule.



## Assemblage de la Roue Arrière

Insérez une goupille dans le trou de l'essieu arrière et donnez-lui la forme d'un "M" à l'aide d'une pince. "Enclenchez" un enjoliveur au centre. Répétez le processus pour l'autre côté.

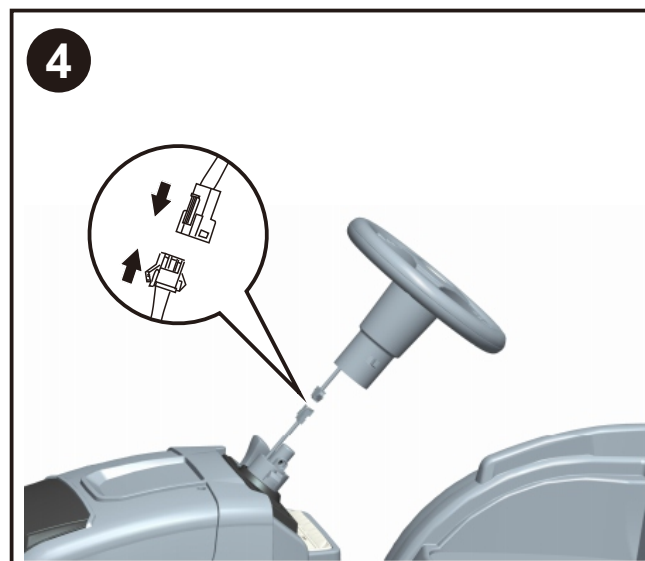


## Assemblage de la Roue Avant

Assemblez toutes les pièces dans l'ordre comme indiqué sur la photo. Insérez une goupille dans le trou de l'essieu avant et donnez-lui la forme d'un "M" à l'aide d'une pince. "Enclenchez" un enjoliveur au centre. Répétez le processus pour l'autre côté.



"Enclenchez" l'Enjoliveur à la bonne place. Répétez le processus pour les trois autres roues



## Assemblage du Volant

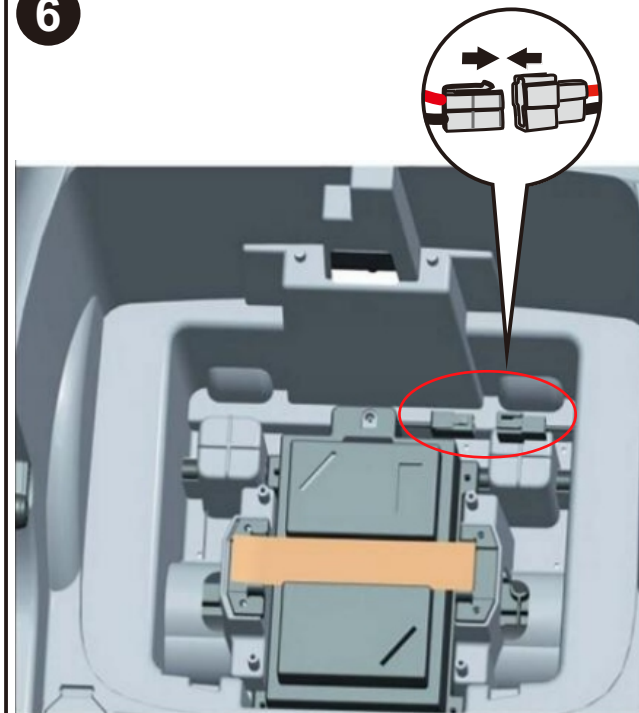
Branchez les connecteurs. Placez le volant sur l'arbre tournant, enfoncez-le au bon endroit.

5



**Montage du Garde-corps arrière**  
Fixez le garde-corps au bon endroit sur la carrosserie de la voiture

6



**Assemblage de la Batterie.**  
Branchez le connecteur dans le boîtier de la batterie comme indiqué sur la photo.

7



**Assemblage du Siège**

Insérez le siège dans les fentes du corps principal et appuyez dessus pour le mettre en place. Il suffit de faire glisser le joint à pression vers la droite si vous souhaitez retirer le siège.

8



**Montage du Godet-racleur**

Placez le godet-racleur sur le corps principal comme indiqué sur la photo, puis utilisez l'outil pour fixer l'Écrou.

# Conduite du Véhicule

## **Interrupteur d'alimentation**

Bouton de mise en marche et d'arrêt.

## **Marche avant**

Poussez le levier de vitesses en position haute et appuyez lentement sur l'accélérateur.

## **Marche arrière**

Abaissez le levier de vitesses et appuyez lentement sur l'accélérateur.

## **Vitesse lente**

Le véhicule a été pré-réglé pour fonctionner à basse vitesse (3km/h maximum). Une fois que votre enfant a maîtrisé les techniques de conduite sûre et qu'il a compris les Règles de Conduite Sûre.

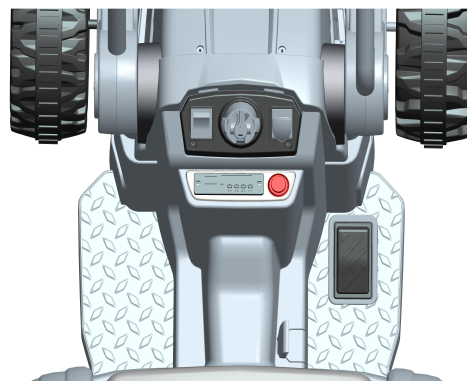
## **Vitesse élevée**

Le véhicule doit être conduit à la vitesse la plus élevée (3 mph, 5kmh) maximum.

Assurez-vous que votre enfant peut maîtriser la direction et la conduite du véhicule et qu'il connaît les règles de conduite sûre.

## **Arrêt**

Le véhicule s'arrête automatiquement lorsque l'accélérateur est relâché.



## **Dispositif de sécurité**

**MISE HORS TENSION AUTOMATIQUE.** Si le moteur est surchargé pour quelque raison que ce soit, y compris une utilisation incorrecte, un disjoncteur électrique coupera automatiquement le courant, puis reprendra après le refroidissement des pièces !

## **Entretien**

- Nettoyer uniquement avec un chiffon sec et doux. Ne pas laver avec de l'eau ou des agents corrosifs.
- Rangez le véhicule dans un endroit sec lorsqu'il n'est pas utilisé, car l'humidité pourrait entraîner la corrosion des composants métalliques et des pièces électriques.
- N'oubliez pas de charger la batterie tous les mois lorsque le véhicule n'est pas utilisé régulièrement.
- Vérifiez et serrez régulièrement toutes les vis et tous les revêtements.
- Vérifiez l'absence de fissures sur toutes les pièces en plastique. Remplacez-les si nécessaire.

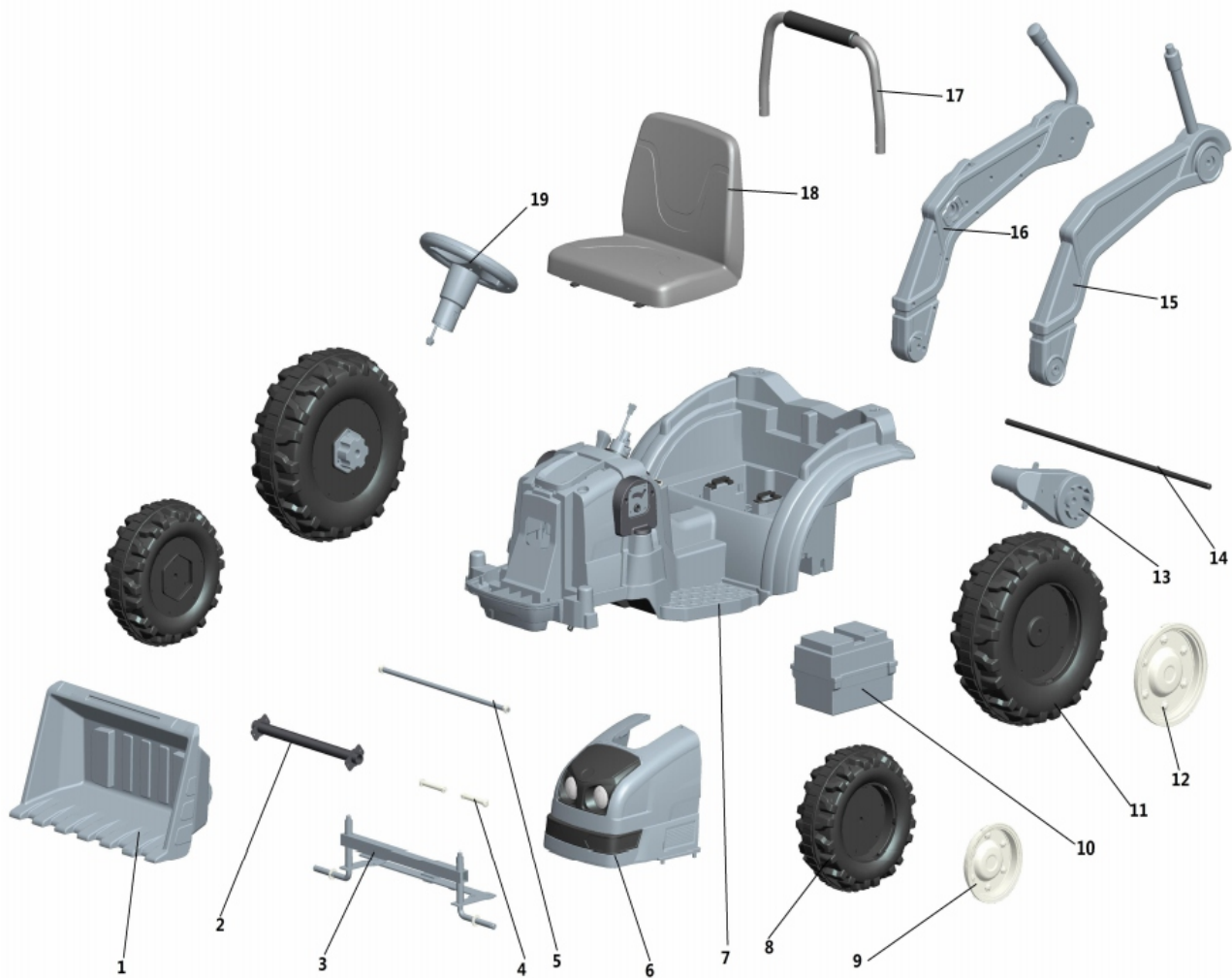
# Dépannage

Problèmes	Causes possibles	Solutions
La voiture ne bouge pas	Disjoncteur déclenché.	Le disjoncteur peut "se déclencher" et arrêter le véhicule s'il est surchargé ou si les conditions de conduite sont trop difficiles. Le disjoncteur se réenclenchera automatiquement après environ 10 secondes, et le véhicule fonctionnera normalement. Pour éviter des arrêts automatiques répétés, ne surchargez pas le véhicule en dépassant le poids limité de 25 kg (55 lb) ou en remorquant quoi que ce soit derrière le véhicule. Ne montez pas de collines et ne heurtez pas d'objets fixes, ce qui pourrait entraîner l'arrêt de la rotation des roues alors que les moteurs sont encore alimentés.
	Fil ou connecteurs desserrés	Caler tous les fils et connecteurs. Assurez-vous que le connecteur du harnais du moteur est bien branché sur la batterie et qu'il n'y a pas de câbles détachés autour du moteur.
	Batterie morte	Une batterie ancienne ou mal entretenue peut être hors d'usage. Si vous n'êtes pas sûr qu'elle soit morte ou non, vous pouvez la faire tester par votre Centre de Service.
	Batterie sous-chargée	Une batterie neuve doit être mise en charge pendant au moins 12 heures avant d'utiliser le véhicule pour la première fois. Après cela, il faut recharger la batterie pendant au moins 8 à 10 heures après chaque utilisation. Ne chargez jamais plus de 24 heures. Vérifiez tous les connecteurs ; assurez-vous que le chargeur est branché au secteur. Assurez-vous que l'alimentation de la prise est en marche.
	Le chargeur ne fonctionne pas	Vous devez disposer d'un voltmètre pour savoir si le chargeur fonctionne ou non. Si vous pensez qu'il y a un problème avec le chargeur, apportez-le au Centre de Service qui le testera pour vous.
	Interrupteur endommagé	Lorsqu'ils sont exposés à l'eau ou à l'humidité, les interrupteurs peuvent se corroder ou se bloquer en raison de la présence de saletés, de sable ou de gravier. Contactez votre Centre de service pour un diagnostic et une réparation.

Problèmes	Causes possibles	Solutions
La voiture roulait mais s'est soudainement arrêtée	Fil ou connecteurs desserrés	Vérifiez tous les fils et connecteurs. Assurez-vous que le connecteur du harnais du moteur est bien branché sur la batterie et qu'il n'y a pas de câbles détachés autour du moteur.
	Disjoncteur déclenché.	Le disjoncteur peut "se déclencher" et arrêter le véhicule s'il est surchargé ou si les conditions de conduite sont trop difficiles. Le disjoncteur se réenclenchera automatiquement après environ 10 secondes, et le véhicule fonctionnera normalement. Pour éviter des arrêts automatiques répétés, ne surchargez pas le véhicule en dépassant le poids limité de 25 kg (55 lb) ou en tractant quoi que ce soit derrière le véhicule. Ne montez pas de côtes et ne heurtez pas d'objets fixes, ce qui peut entraîner l'arrêt de la rotation des roues alors que les moteurs sont encore alimentés. Si le disjoncteur se déclenche continuellement, contactez votre centre de service.
Temps de fonctionnement court (moins de 1 heure par charge)	Batterie sous-chargée	Une batterie neuve doit avoir été chargée pendant au moins 12 heures avant d'utiliser le véhicule pour la première fois. Après cela, il faut recharger la batterie pendant au moins 8 à 10 heures après chaque utilisation. Ne chargez jamais plus de 24 heures. Vérifiez tous les connecteurs ; assurez-vous que le chargeur est branché au secteur. Assurez-vous que l'alimentation de la prise est en marche.
	Batterie surchargée	Ne chargez jamais la batterie plus de 24 heures. Si vous pensez que la batterie est endommagée à cause d'une surcharge, contactez le Centre de service pour un test.
	Une vieille batterie ne peut prendre une charge complète	Même si elle est bien entretenue, une batterie rechargeable n'est pas éternelle. La durée de vie moyenne de la batterie est de 1 à 3 ans, selon l'utilisation du véhicule et les conditions d'utilisation. Remplacez la batterie par une nouvelle batterie rechargeable. Ne remplacez pas les pièces. Pour obtenir une batterie de rechange, veuillez contacter le Centre de service.



<b>Problèmes</b>	<b>Causes possibles</b>	<b>Solutions</b>
Le véhicule est lent	Batterie insuffisamment chargée	Une batterie neuve doit avoir été chargée pendant au moins 12 heures avant d'utiliser le véhicule pour la première fois. Après cela, elle doit être rechargée pendant au moins 8 à 10 heures après chaque utilisation. Ne chargez jamais plus de 24 heures. Vérifiez tous les connecteurs ; assurez-vous que le chargeur est branché au secteur. Assurez-vous que l'alimentation de la prise est en marche. Veillez à charger la batterie après chaque utilisation.
	La batterie doit être rechargée	Même si elle est bien entretenue, une batterie rechargeable n'est pas éternelle.
	Une vieille batterie ne peut prendre une charge complète	La durée de vie moyenne de la batterie est de 1 à 3 ans, selon l'utilisation du véhicule et les conditions d'utilisation. Remplacez la batterie par une batterie rechargeable neuve. Ne remplacez pas les pièces. Pour obtenir une batterie de rechange, veuillez contacter le Centre de service.
	Le véhicule est surchargé	N'autorisez pas plus d'un cycliste à la fois, respectez la capacité de poids de 25 kg (55lbs) et ne remorquez rien derrière le véhicule.
	Les conditions de conduite sont trop stressantes	Conduisez uniquement sur un sol généralement plat.
Fonctionnement intermittent du véhicule	Fil ou connecteur desserré	Vérifiez tous les câblages autour des moteurs et tous les connecteurs pour vous assurer qu'ils sont bien serrés.
	Moteur ou interrupteur électrique endommagé	Contactez votre Centre de service pour le diagnostic et la réparation.
Lorsque l'on appuie sur l'accélérateur, le véhicule ne roule pas sauf lorsqu'on le pousse.	Fil ou connecteur desserré	Vérifiez tous les câbles autour des moteurs et tous les connecteurs pour vous assurer qu'ils sont bien serrés.
	Moteur au "Point mort"	Contactez votre Centre de service pour le diagnostic et la réparation.
La boîte de vitesses du moteur émet un fort bruit de grincement ou de claquement.	Engrenages cassés	Contactez votre Centre de service pour le diagnostic et la réparation.
Le chargeur devient chaud pendant l'utilisation	Ceci est normal et ne devrait pas être une préoccupation.	Aucune action requise.
La batterie émet un gargouillement ou un grésillement pendant la charge.	Un peu de bruit et de gonflement est normal et ne devrait pas être une préoccupation.	Aucune action n'est requise. Si la batterie ne fait pas de bruit pendant la charge. Cela ne signifie pas non plus qu'elle ne prend pas la charge.



Remarque : Certaines pièces illustrées sont montées sur les deux côtés du véhicule..

No. Pièce	Qté	No. Pièce	Qté
1. Racleur	1PC	7.Corps principal	1PC
2. Roue Essieu avant	1PC	8.Roue avant	2PCS
3. Essieu Roue avant	1PC	9.Enjoliveur Roue arrière	2PCS
4. Essieu avant Godet-racleur	2PCS	10.Boîtier de batterie (batterie incluse)	1PC
5. Essieu arrière Godet-racleur	1PC	11.Roue arrière	2PCS
6. Ensemble frontal	1PC	12.Enjoliveur Roue arrière	2PCS

No. Pièce	Qté
13. Moteur	2PCS
14. Essieu arrière	1PC
15. Godet-racleur gauche	1PC
16. Godet-racleur droit	1PC
17.18. Garde-corps arrière	1PC
19. Siège	1PC

