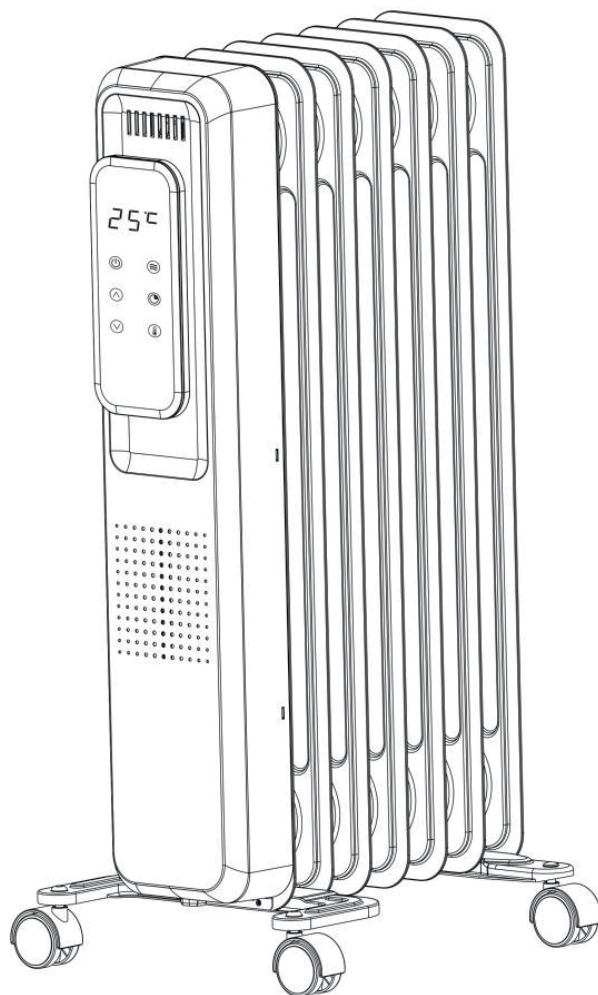




IN221000594V02\_US

**820-260V80**

## Electric oil filled heater



IMPORTANT, RETAIN FOR FUTURE REFERENCE: READ CAREFULLY

# USING INSTRUCTION

# READ AND SAVE THESE INSTRUCTIONS

READ CAREFULLY BEFORE ATTEMPTING TO ASSEMBLE, INSTALL, OPERATE OR MAINTAIN THE PRODUCT DESCRIBED

PROTECT YOURSELF AND OTHERS BY OBSERVING ALL SAFETY INFORMATION  
FAILURE TO COMPLY WITH INSTRUCTION COULD RESULT IN PERSONAL INJURY  
AND/OR PROPERTY DAMAGE

RETAIN INSTRUCTIONS FOR FUTURE REFERENCE

## IMPORTANT INSTRUCTIONS

**When using this appliance, basic precautions should always be followed to reduce the risk of fire, electric shock and injury to persons, including the following:**

**CAUTION-** High temperature, keep electrical cords, drapery, and other furnishings at least 3 feet (0.9m) from the front of the heater and away from the side and rear.

1. Before using this heater, read and follow all instructions in this manual carefully.
2. Do not cover the heater to prevent overheating.
3. Do not place the heater directly below an electrical outlet or socket.
4. Keep the heater away from humid environments, such as bathrooms. Do not immerse the appliance in water or let liquid enter the body – this is an electrical hazard. Never use this appliance near flammable or explosive materials.
5. Never use this appliance if the power cord is damaged. It must be replaced by the manufacturer, its service agent or a similarly qualified professional.
6. The heater should be filled with a precise amount of professional HTF. Opening or repairing the fins can only be done by the manufacturer or service personnel. If there is an oil leak, it must be fixed by the manufacturer or service personnel.
7. When throwing away your heater, check local regulations on how to safely dispose of the oil inside the heater.
8. Ensure the heater is placed on a smooth and even surface. Do not tilt or turn when in use.
9. Do not place clothes, towels or other items directly on the heater – this is a safety hazard that can cause overheating.
10. After use or when left unattended, turn off and unplug the appliance. When unplugging, grasp the plug and not the wire to avoid any damages.
11. Before cleaning, turn off the appliance and wait for it to cool.
12. When in use, keep the power cord away from the heater's body.
13. If, for any reason, the appliance does not work, turn off and unplug the appliance immediately. Contact the manufacturer, its service agent or similarly qualified personnel for inspection, repairs or replacements.
14. Do not use other electric heaters or electrical appliances in the same outlet or circuit - this can cause a circuit overload or fire.
15. Do not use extension cords with this appliance.

16. Prohibited the use of automatic power program, timer or any other device to use the heater.

17. Do not put hands, sticks and other objects inserted into the apertures of the heater, to prevent accidents.

18. When using the heater, in order to avoid burns, do not let bare skin in direct contact with electric heating The surface. Be sure to take advantage of when you need to move in front of the handle.

19. May not have towels, clothing, bed sheets, bedding, curtains and other combustible materials within the heater around 1 meter Products, and should be kept away after thermal deformation or discoloration of furniture and other items.

20. There shall be no obstructions or unstable hanging objects within 1 meter from the top of the heater.

21. Children must be supervised to ensure that they do not touch or play with the appliance.

22. When using the heater, keep doors and windows shut to get the maximum heating effect.

23. Do not use the heater outdoors.

24. Keep the product specification safe – do not discard it.

## **PRODUCT CHARACTERISTICS**

◆ The company manufactured oil heater is a tubular element of heat, high efficiency permanent oil as the medium through the heat sink to dissipate heat, the use of air circulation to increase room temperature.

◆ Electric oil heater easy to use, safe, beautiful, quiet operation, no electromagnetic interference and other characteristics, suitable for scientific research, hospitals, hotels, martial arts room, bedroom and other places, in the cold season to make your home or office more warm and comfortable!

## Product structure

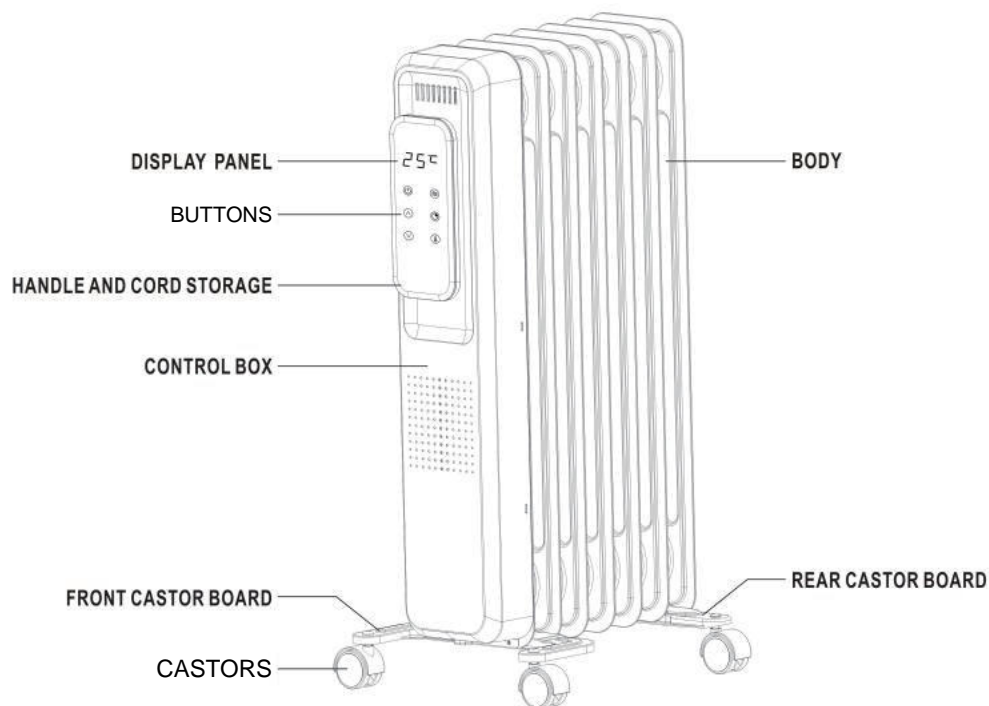


Figure 1 Product Structure

# INSTRUCTIONS FOR USE

## 1.INSTALLATION METHOD:

Remove the heater and all parts from the packaging box.

- (1) Place the heater upside down, then place the castors onto the bottom using the wing nuts and U-screw (fig. 2).
- (2) Place the heater upright, so it is in the correct position.

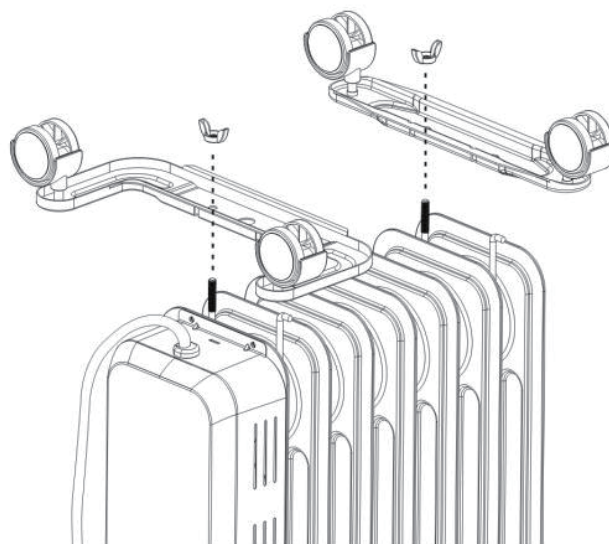


Figure 2: Castor plate installation diagramme

## 2. What to check before using:

- (1) Ensure the power cord is not damaged.
- (2) Ensure the power source matches the electrical requirements stated on the heater nameplate. Also make sure that it has safety grounding - if not, the outlet must be replaced.

## 3. INSTRUCTIONS

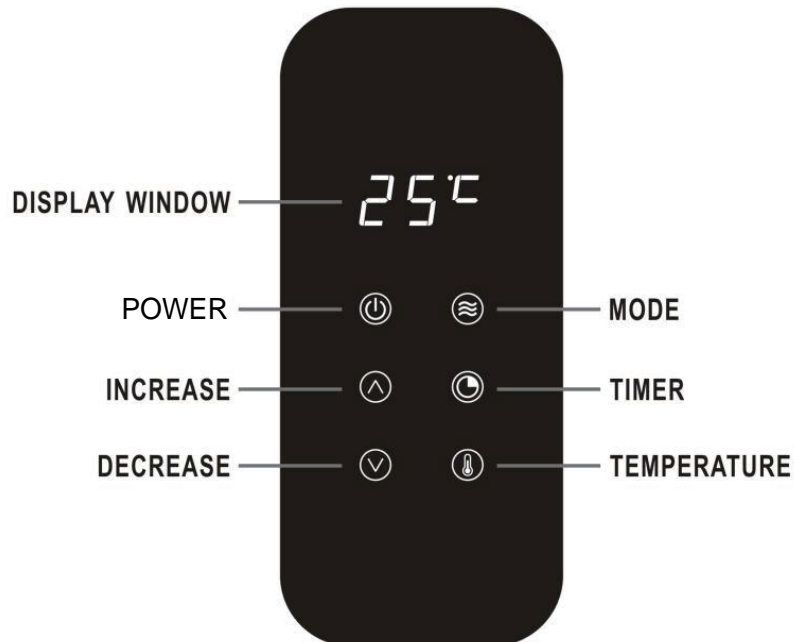


Figure 3 a schematic view of the control panel

### POWER:

1. Plug in the power plug, the on/standby key will be high light. Touch the key to start, if no other operations, the default is high gear mode (the default temperature is 25 °C), the mode key become high light, the display window shows "3", 3 seconds later the display window shows the setting temperature (the default temperature is 25 °C).
2. Touch the key again and the product enters the standby state.
3. The heater can remember the operation state without power off (the timing function is not memorized).

### MODE:

1. Touch this key to switch the machine heating mode, the switching order is high, medium, low, Eco, high and cycles, the display window displays "3-2-1-Eco-3...." and cycles.
2. When setting the mode, the mode key is highlighted, the display window shows the current set gear. Three seconds later after the heating mode is set, the display window will change to indicate the setting temperature ( Default Temperature is 25 °C).
3. When the heater is in the three modes of high, medium and low, the temperature can be set in the range of 15-35 °C. The heater will control the on-off of the current setting gear of the heating pipe according to the setting temperature and the temperature of the NTC probe.

4. When the heater is in eco mode, the temperature can be set within the range of 15-35 °C. The heater will intelligently control the on-off of the heating pipe according to the setting temperature and NTC probe temperature. And the setting temperature will automatically decrease by 1 °C every hour. It can only be reduced by 5 °C and It can only be reduced to 15 °C.

#### **TIMER:**

1.Touch this key to enter the timing shutdown setting, and this key become highlight, and the time of shut down is displayed on the display window.

2.Adjust the time of shut down by touch the increase or decrease key, and confirm automatically after 5 seconds without operation or touch the timer key directly to confirm (the maximum setting is 24 hours, and 0 hours is no timer function).

3.No matter what heating mode the machine is in, it can be set to shut down at a fixed time.

4.Within 3 seconds after timing confirmation, the display window shows the time of shut-down time, and after 3 seconds, it will show the setting temperature.

#### **TEMPERATURE:**

1.Touch the temperature key, activate the increase and decrease key to adjust the control temperature, the temperature key become highlight, the control temperature is displayed on the display window.

2.The default control temperature is 25 °C. Set the temperature by touch the increase or decrease key, and automatically confirm after 5 seconds without operation or touch the temperature key directly to confirm (the control temperature setting range is 15-35 °C).

3.Touch and hold on the temperature key 5 seconds, and the Celsius mode (point + c) is converted to Fahrenheit mode (point + F). When the machine is in Fahrenheit mode, touch and hold on the temperature key for 5 seconds to switch back to Fahrenheit mode.

4.In Fahrenheit mode, the default control temperature is 77°F and the setting range is 59°F -95°F.

5.The Celsius and Fahrenheit modes have a memory function, it can still remember the last pattern after a complete power outage.

#### **INCREASE / DECREASE:**

1.When there is no timing setting or temperature setting, the two corresponding lights are low light and there is no response by touch this key.

2.When making timing setting or temperature setting, the two keys are active and become highlight.

3.Before setting the control temperature, you must touch the temperature key first.

#### **DUMPING FUNCTION:**

1. When the angle between the machine dumping and the horizontal position is less than 40 ±5 degrees, the display window flashes and prompts "Eo", and all outputs are closed.

2.When the angle between the machine centralization and the horizontal position is more than 50 ±5 degrees, the working state before dumping will be restored.

### **ANTI-FROST FUNCTION:**

1. In the standby state, the mid-range heating is automatically turned on when the NTC temperature is lower than 5 °C (41°F), and when the NTC temperature is higher than 7 °C (45°F), the heating is stopped and returned to the standby state.

2. When the frost protection function is turned on, the ON/STANDBY key become highlight and flashes at a frequency of 2 seconds per time, and the display window flashes "7 °C (or 45°F)" at a frequency of 2 seconds per time.

### **SUPPLEMENTARY EXPLANATION:**

1. If the display window is flashing prompt "EH" or "EL", it need to be repaired by power outage.

## **CLEANING AND MAINTENANCE**

1. Avoid bruised or scratched heater, so as not to damage the surface coating and rust.
2. After a soft clean cloth is placed in the box collection when unused for long periods, with the heater.

If you have any questions, please contact our customer care center.  
Our contact details are below:



001-877-644-9366



customerservice@aosom.com

Imported by Aosom LLC  
27150 SW Kinsman Rd Wilsonville, OR 97070 USA  
MADE IN CHINA

