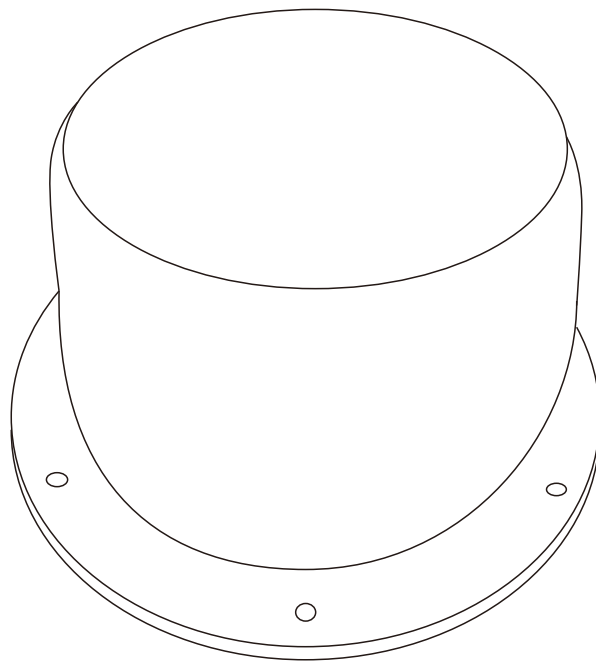





IN221001990V02_US

84B-348_B31-058V01_B31-058V02_
B31-059V01_B31-060V01



If you have any questions, please contact our customer care center.
Our contact details are below:

 001-877-644-9366

 customerservice@aosom.com

Imported by Aosom LLC
27150 SW Kinsman Rd Wilsonville, OR 97070 USA
Manufactured in Ningbo City, Zhejiang Province, China
MADE IN CHINA

IMPORTANT, RETAIN FOR FUTURE REFERENCE: READ CAREFULLY

ASSEMBLY INSTRUCTION

I. Technical Data

1. Product structure plastic shell + LED Lighting base ("DC/5V" hole for charging)
2. LED: RGB 5050 life span ≥ 50.000 hours
3. REMOTE: IR remote control
4. Adaptor: INPUT: AC100-240V 50/60Hz
OUTPUT: DC5V 1000mA
5. Battery: Lithium battery, 3.7V life span ≥ 500 times charging & discharging
6. Waterproof: IP54



"DC/5V" hole for charging

II. Operation Instruction

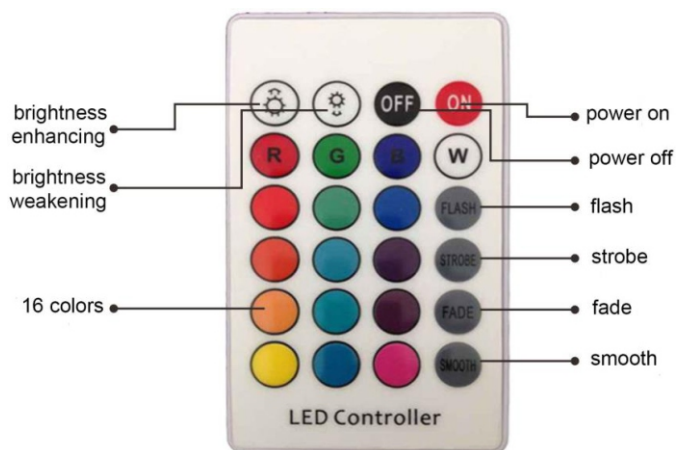
Please find the "DC/5V" hole to charge the product at least 8 hours ,then use this product as the following steps.

Turn off by Key at the bottom, it must be turned on by the same key again, not by remote control.

1. First, pressing the "ON/OFF" button at the bottom of the product to switch it on;
2. Second, taking out the thin film(between remote controller body and battery cover) from the bottom of the remote, then press "ON" key, and the product start to work;
3. 16 colors for choosing, you can fix one color;
4. 4 functions offered: flash, strobe, fade, smooth, besides, can enhance or reduce the brightness according your request;
5. Press "OFF" key to turn off;

You can use remote control to operate the goods within 2 meters from the product.

REMOTE CONTROLLER



Power - ON

Power - OFF

Brightness control: Enhance or Reduce

Flash/strobe mode: Flick slowly or quickly automatically

Fade / Smooth mode: quick changed/ slow changed automatically

16 colors for option

III. Safety Instruction

1. Battery: Making sure that the charging time reach to 8-10 hours after the power ran out, meanwhile, please kindly note that the products must be turned off while it is being charged;
2. Charging: Check the adaptor's Voltage corresponds with the goods' voltage;
3. Using environment: Do not expose to heat sources;

IV. Warning

1. Charging indoor can be used outside.

