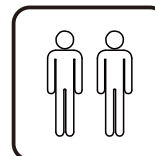
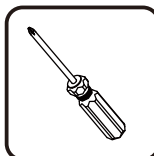
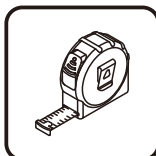


## Swing set



### WARNING

- This swing set is for domestic use only.
- This swing set is for ages 3-8 years. Maximum load is 40kg(88lbs)/seat.
- This swing set is for outdoor use only.
- Children of all ages must be supervised by an adult at all times when using this swing set.
- It is recommended for two adults to assemble this product.
- **IMPORTANT, RETAIN FOR FUTURE REFERENCE: READ CAREFULLY**



Tools Recommended

# ASSEMBLY INSTRUCTION

Assembled dimensions are 156\*112\*72 inches(396\*285\*183cm). Needs 2 adults to assemble, the estimated assembly time is 3 hours.

Allow 6 - 12 ft of clearance around the perimeter of the swing set area when fully assembled.

### **WARNING!**

Please read this entire instruction and assembly manual completely before proceeding. You must follow all safety instructions while using this equipment. The surface area where this swing set is set up must be level and free of all debris. This set is designed to be anchored into the ground and is not to be set up on any hard surfaces such as concrete, hardened soil, or asphalt. Proper surfacing under and surrounding the set adds to the safety level such as sand or mulch. Read all cautionary statements on the following pages before using this equipment and save this instruction manual.

**DO NOT ALLOW CHILDREN TO PLAY ON THIS GYM SET UNSUPERVISED!  
CONSTANT ADULT SUPERVISION IS REQUIRED.**

Do not use when raining or during any inclement weather (i.e. rain, sleet, snow, ice, high winds, thunderstorms, or lightning).

**DO NOT ALLOW CHILDREN TO JUMP ON OR CLIMB UP ON THIS SET'S TOP BAR.**

For warranty details and registration card see the back page of this manual.

**FOLLOW ALL ASSEMBLY INSTRUCTIONS AS WRITTEN IN THIS MANUAL**

This gym is designed to be used safely by up to eight (8) children, ages 3 years to 8 years, with weight capacity of 100 lbs per child or total combined weight limit of 800 lbs for all eight (8) children. This play gym is designed for backyard use only and is NOT intended playgrounds, schools, day care facilities, nurseries or other public places. Follow all assembly instructions carefully and as directed in this manual. This gym conforms to all safety requirements by ASTM for Home Playground equipment when properly assembled using the instructions enclosed.

Adult assembly is required.

Contains small parts.

For proper stability and safety this gym set should be installed with ground anchors. It is highly recommended that you seek the opinion from a local licensed contractor on the best way to secure the swing set in your location.

### **WEATHER CONDITIONS**

DO NOT use this equipment if the swing seat, slide, stand swing, see-saw or any parts are wet. Use the play set only when the parts are clean and dry. If the equipment is wet, the user could slip and suffer injuries.

Please be aware of weather conditions when using the equipment. If it is too windy, users could lose control and suffer injuries.

The playground equipment must be properly anchored, stored away or restricted from use during inclement weather such as heavy winds or severe weather storms. You should consult a local contractor about ways to anchor the product in your location.

**WARNING STATEMENTS** - Observing the following statements and warnings reduces the likelihood of serious or fatal injury.

DO NOT allow more than one child to play on the individual swing or slide component at any one time.

DO NOT allow children to stand on the slide, swing seats, see saw or glide ride. The glide ride is made for only two users at a time.

DO NOT allow children to walk too close to moving parts. ALWAYS keep a safe distance to avoid being struck by other children while playing on swings, slides, stand n swing, and glide ride etc.

DO NOT allow children to twist the swing chains or loop them over the top support bar as this may reduce the strength of the chain.

DO NOT swing empty seats as this may cause injuries.

Children should not walk close to, in front of, behind, or between moving items.

DO NOT CLIMB on the Equipment when the Equipment is wet.

DO NOT attached items to the equipment that are not specifically designed for use with the equipment, such as, but not limited to, Jump Ropes, Clothesline, pet leashes, cables, and chain as they may cause a strangulation hazard.

Dress Children with well-fitting and full foot enclosing footwear. Examples of in-appropriate footwear are: CLOGS, flip flops, and sandals.

ALWAYS guide children to sit in the center of swinging parts, with their full weight placed in the seat center and holding on to the swing chains.

DO NOT allow children to jump off the equipment while it is in motion. ALWAYS come to a full stop before dismounting.

ALWAYS dress children appropriately for proper play, e.g. wear well-fitted rubber sole shoes, and remove loose or sharp items

such as jewelry, hair accessories, scarves which may become entangled in the equipment or cause injuries.

ALWAYS make sure children remove their bike or other sports helmets before playing on the playground.

DO NOT allow children to slide down the slide head first.

DO NOT allow children to climb onto swing or jump to/from different play areas of the equipment.

ALWAYS return safely to the ground before approaching another play area.

DO NOT allow children to climb on structural parts (e.g. legs, top bar). These are structural components and are not designed for play.

ALWAYS check the slide or other parts exposed to the body for extreme heat from the sun before allowing children to use the equipment

ALWAYS prevent access and secure from any unauthorized use when there is no adult supervision.

DO NOT allow pets or other animals near the equipment to prevent damage or injuries.

Adequate overhead clearance is essential. A minimum of 24 ft (7.3 meters) from ground level is recommended. Provide clearance for wires, tree limbs, and other possible hazards.

Use the swing set in a well-lit area. Artificial illumination may be required for shady areas.

#### INSPECTION PRIOR TO EACH USE OR DAILY INSPECTION

DO NOT use the equipment if any bolts or nuts are missing or loose. ALWAYS check to ensure the equipment and all parts are well secured and stable before each use.

ALWAYS clear the play area of any rocks, sharp objects, or any materials that could be potentially hazardous to users.

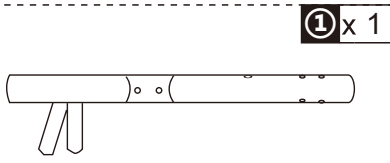
DO NOT attach items to the equipment that are not specifically designed for use with the equipment, including, but not limited to, jump ropes, clothesline, pet leashes, cables and chains as they may cause choke hazards.

The steel and plastic parts used in your product are subject to normal wear. Gradual deterioration of the material will occur, the speed of which will depend on the level of exposure to UV rays, airborne pollution, outdoor weather conditions such as rain and wind and the amount of use. You must inspect the equipment prior to every use. This includes, but is not limited to inspecting the set for cracks, excess wear, missing parts, loose connections, and for overall integrity. When the set shows any signs of weakness, you must stop using the play set immediately, properly store the set or restrict access by users until the condition is resolved.

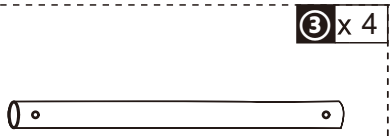
Verify that the chains are secured at both ends and tightened, so that there is no loose chain hanging that can result in choking hazard.

When conducting inspections, it is recommended that you use the Suggested General Maintenance Checklist and Routine

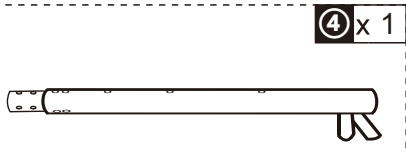
Inspection and Maintenance Issues checklists provided by the US Consumer Product Safety Commission, a copy of which is contained in this user manual.



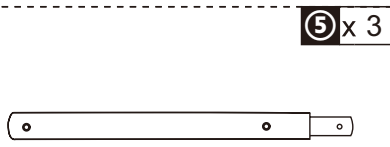
1 x 1



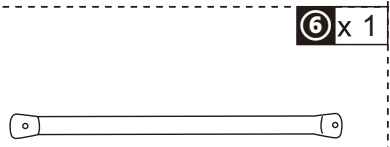
3 x 4



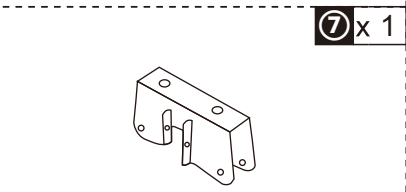
4 x 1



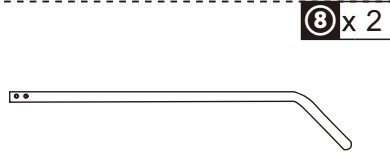
5 x 3



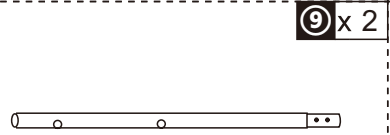
6 x 1



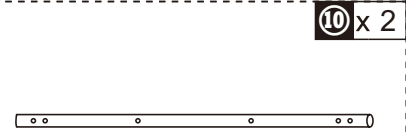
7 x 1



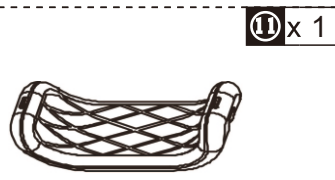
8 x 2



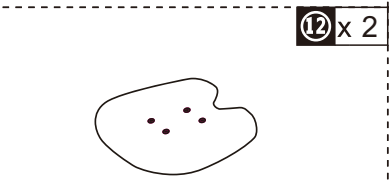
9 x 2



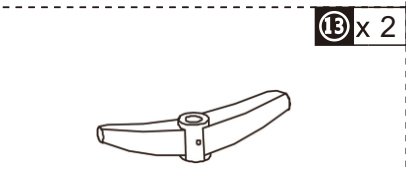
10 x 2



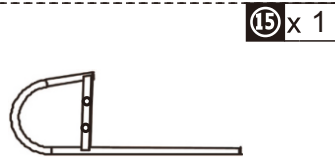
11 x 1



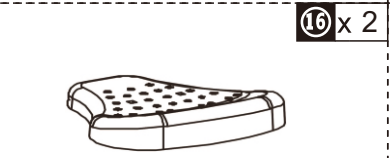
12 x 2



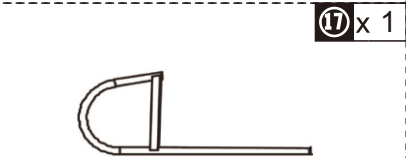
13 x 2



15 x 1

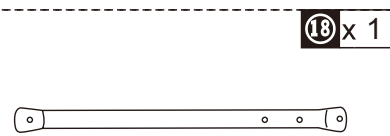


16 x 2



17 x 1

With holes



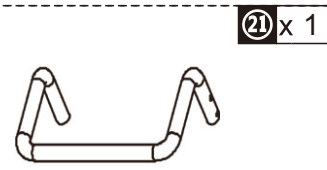
18 x 1



19 x 2



20 x 1



21 x 1



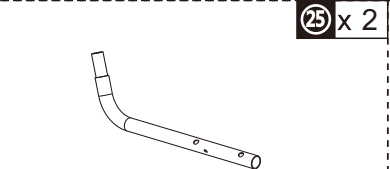
22 x 2



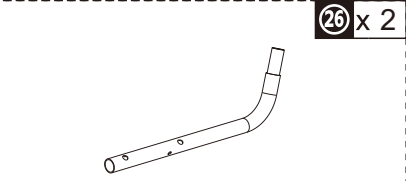
23 x 1



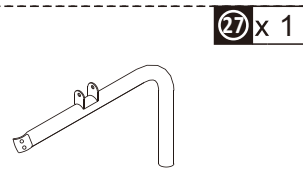
24 x 2



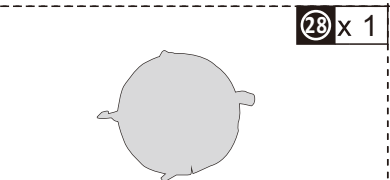
25 x 2



26 x 2



27 x 1

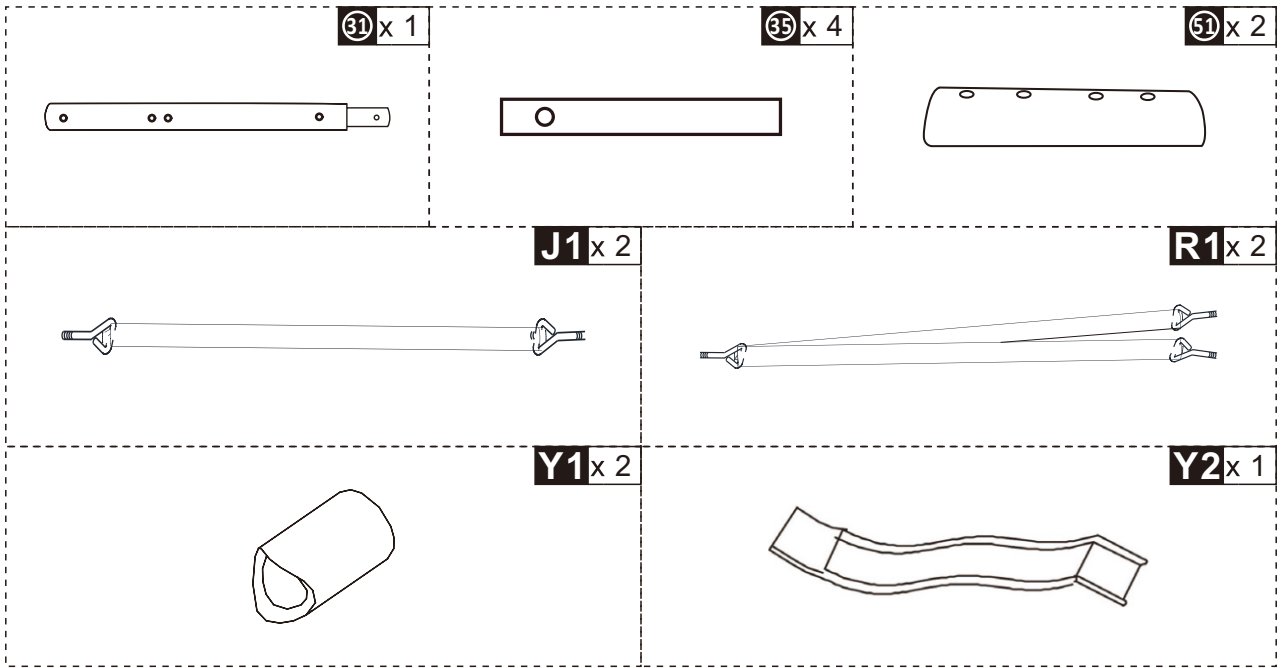


28 x 1

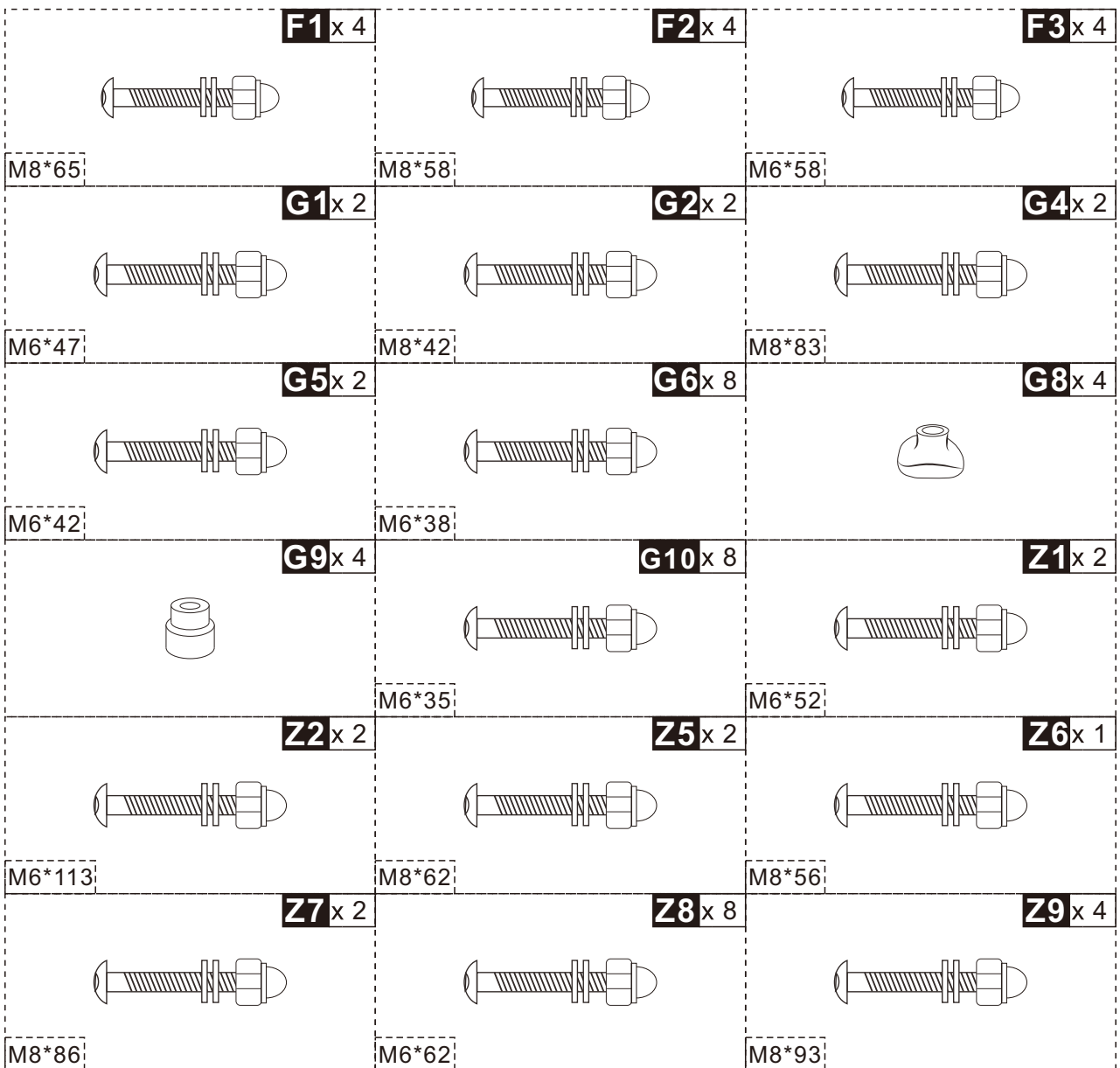


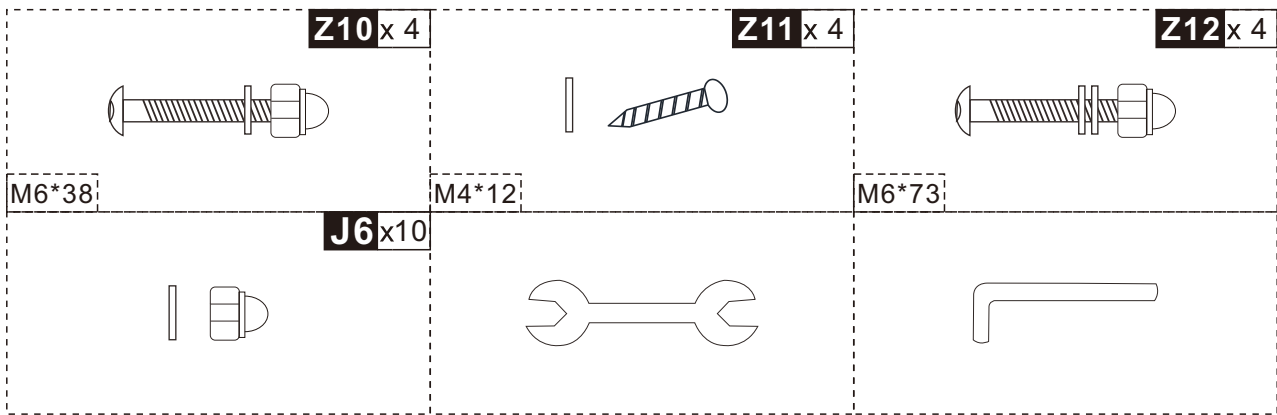
29 x 4

**PARTS**



**HARDWARE**





**Note: Some parts may be supplied pre-assembled.**

## Assembly Instructions

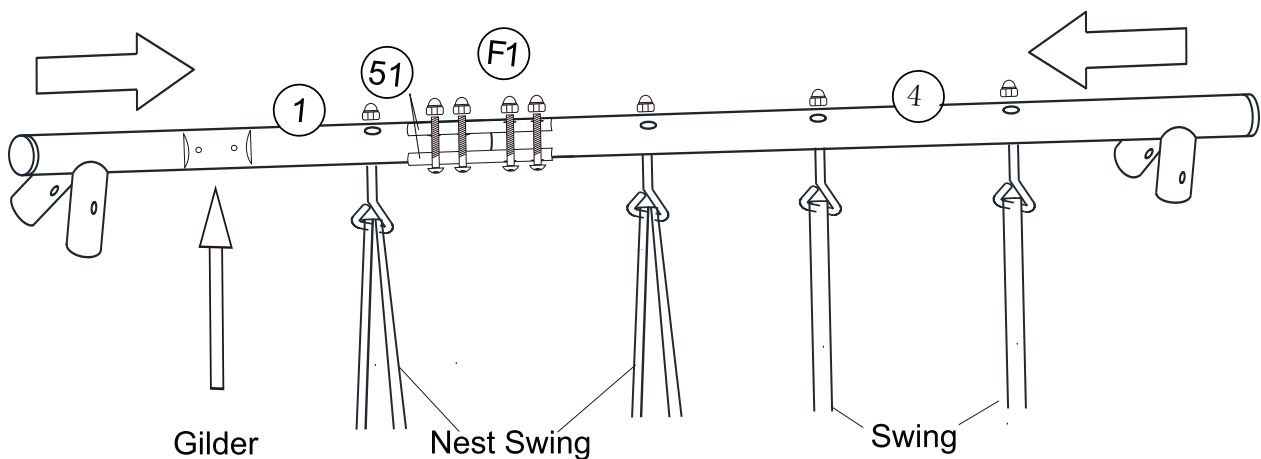
Prior to assembling this swing set, remove all parts from the carton and check to ensure that all parts listed in the Parts List and Hardware List (on pages 4-6) are present. If you're missing any of the parts, please call our National Service Centre to have replacement parts sent out prior to beginning assembly.

Note: It is recommended that 2 adults assemble this swing set.

### Step 1: Frame assembly (continued)

Align 1 and 4, secure 51. Use M8x65mm Bolt (F1) as shown below in image.

F1 M8x65mm (x4)

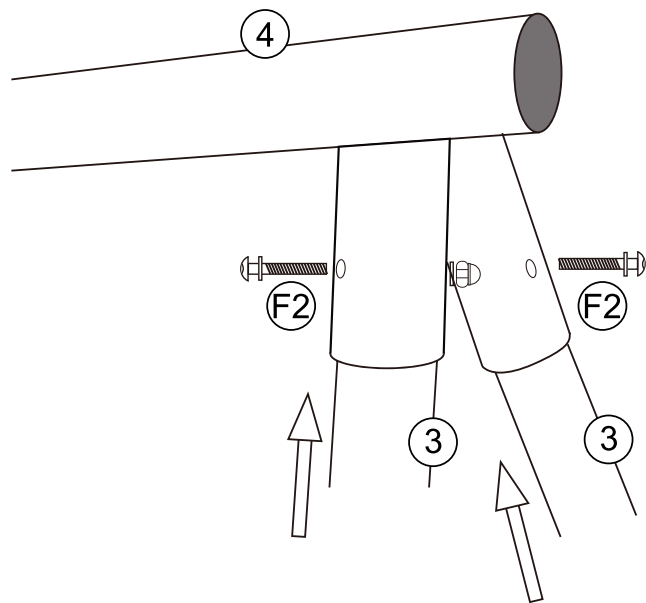
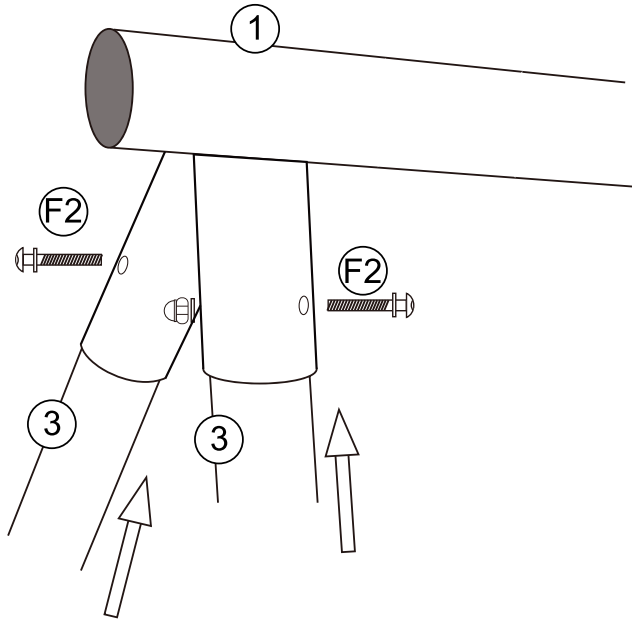


Note: Do not fully tighten all the bolts before full assembly.

## Step 2: Frame assembly (continued)

Insert 3 into 1 and 4, secure using M8x58 mm Bolts (F2).

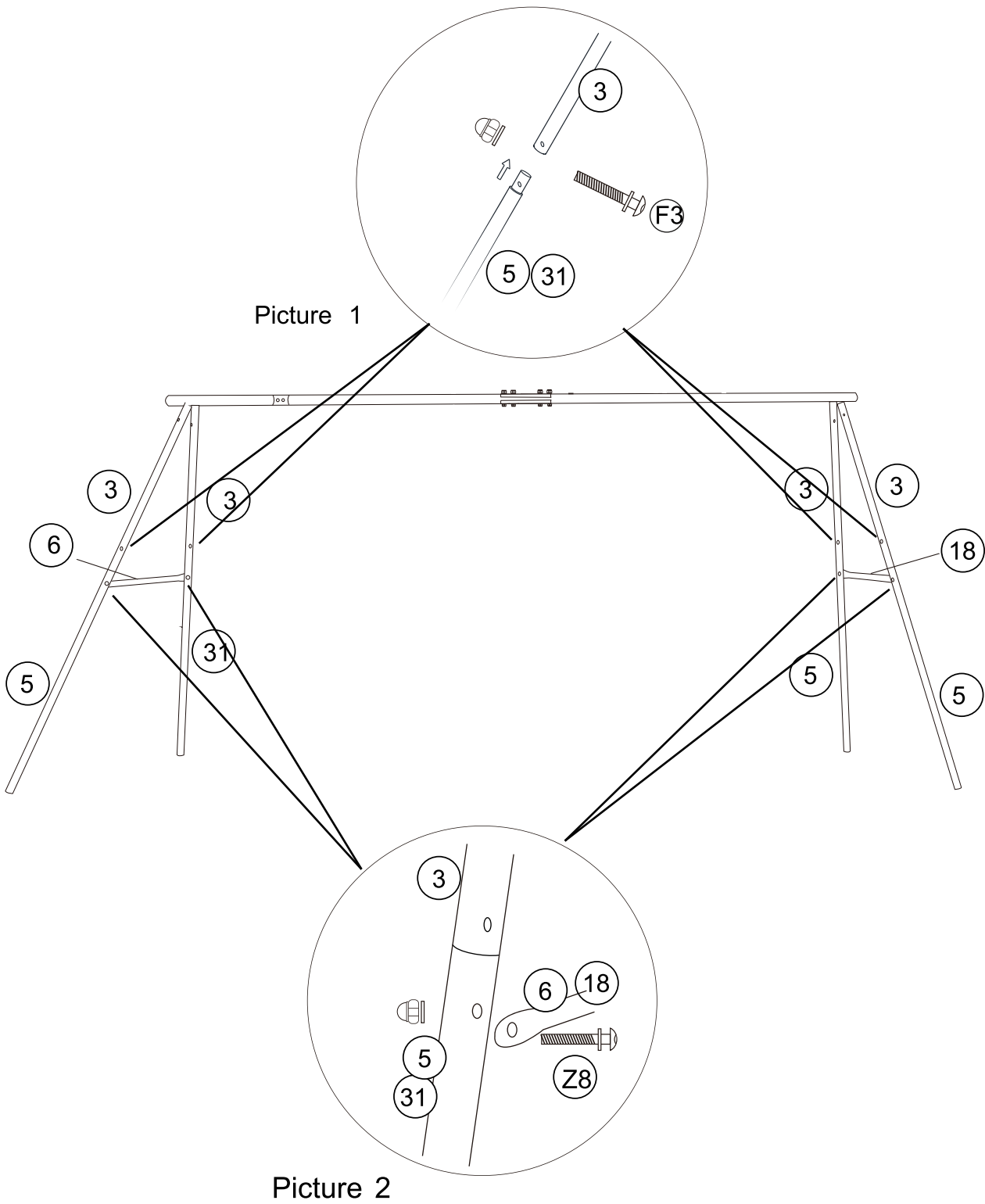
F2 M8x58mm (x4)



### Step 3: Frame assembly (continued)

Insert 5 and 31 into 3, Secure using M6x58mm Bolts (F3).as Picture 1 shown.  
Connect to 6 and 18. Secure using M6x62mm Bolts (Z8).as Picture 2 shown.

F3 M6x58mm(x4)  
Z8 M6x62mm(x4)





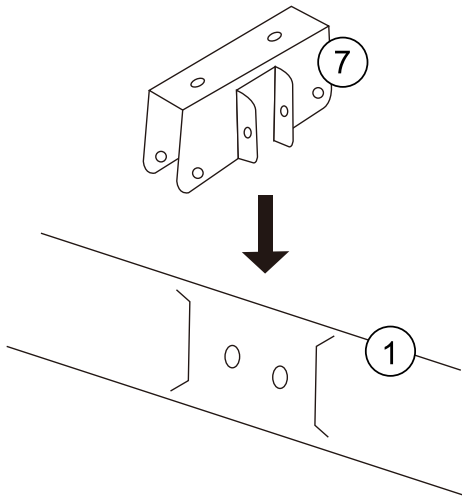
### Step 4 : Glider assembly (continued)

Attach the 7 to 1 and secure using M6x47mm Bolt (G1).  
Insert 8 into 7 and secure using G8 and M8x42mm Bolts (G2).

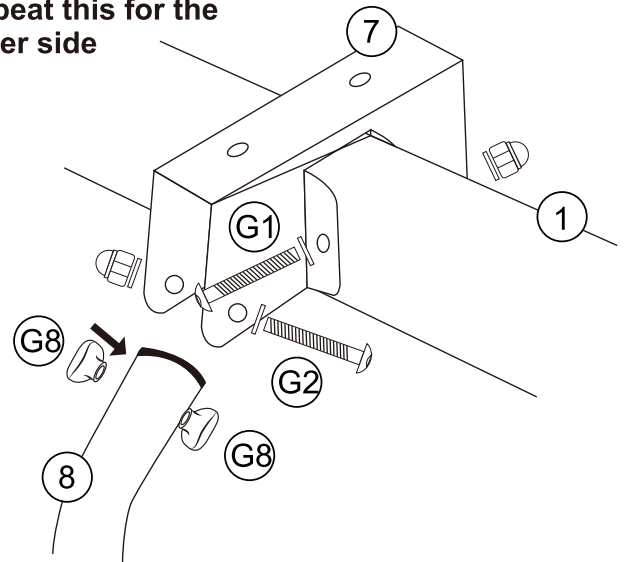
G8  (x4)

G1 M6x47mm(x2)

G2 M8x42mm(x2)



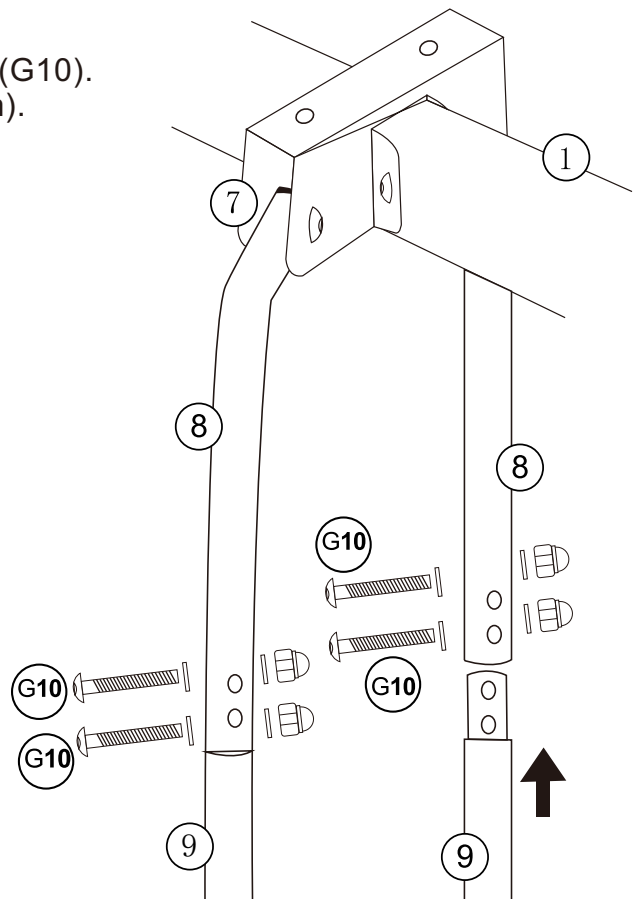
Repeat this for the other side



### Step 5 : Glider assembly (continued)

Insert 9 into 8 Secure using M6x35mm Bolts (G10).  
Note: Ensure nuts face inwards (see diagram).

G10 M6x35mm(x4)



### Step 6 : Glider assembly (continued)

Attach 10 to 9 on either side through G9, ensuring spacers are facing the glider leg pole. Secure using M8x83mm Bolts (G4).

Attach 12 to 10, Secure using M6x38mm Bolts (G6). Ensure the nut is facing down and the bolt is not protruding out, it should sit in the hole or flush to the hole.

Attach 13 to 9 and secure using M6x42mm Bolts (G5).

**Note:** Ensure nuts face inwards for both footrests (see diagram).

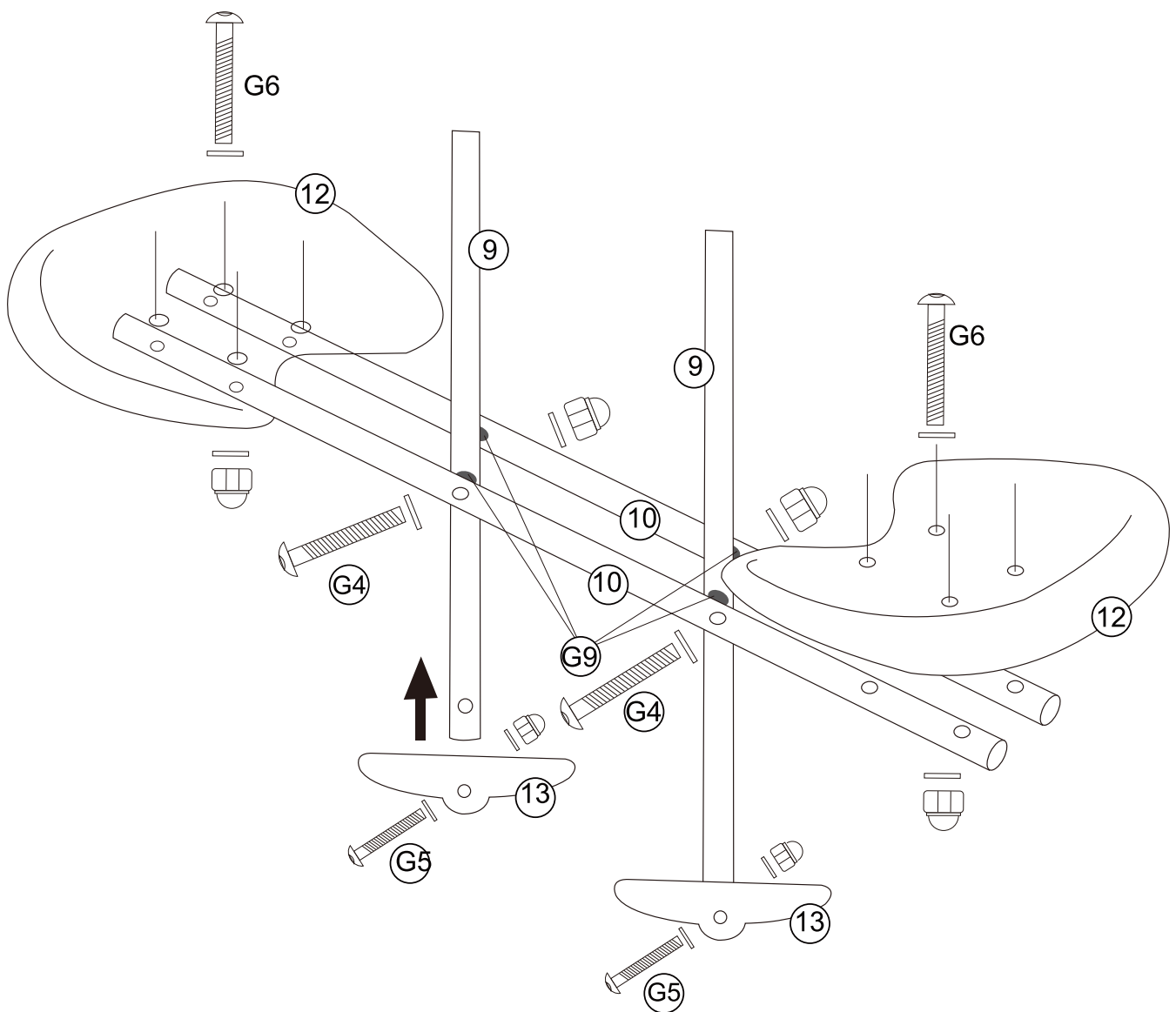
Assemble 12 and attach to 10 before tightening bolt(G4)

G6 M6x38mm(x8)

G4 M8x83mm(x2)

G9  (X4)

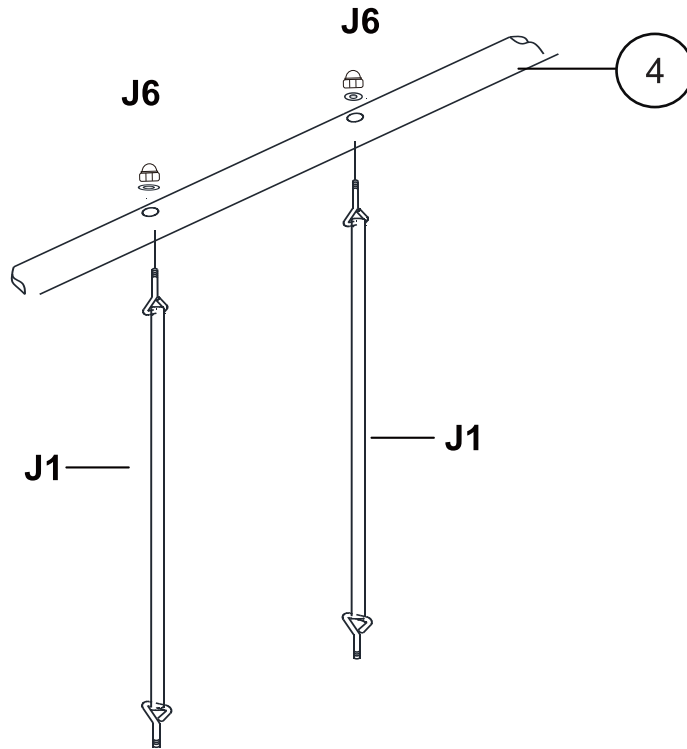
G5 M6x42mm(x2)



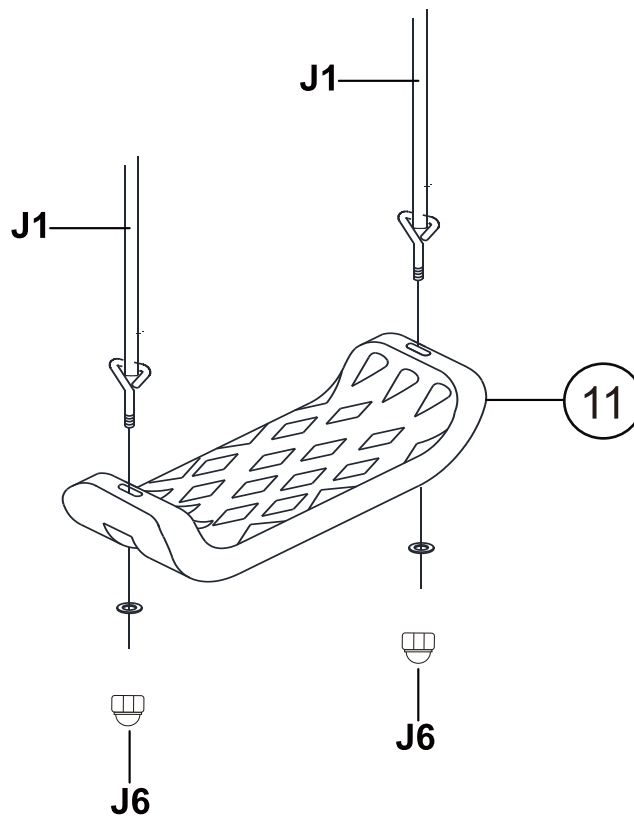
**Step 7: Swing seat assembly(continued)**

Connect J1 to 4, Secure using Nut and washer(J6), as shown in Diagram A.  
Connect J1 to 11, Secure using Nut and washer(J6), as shown in Diagram B.

**DIAGRAM A**

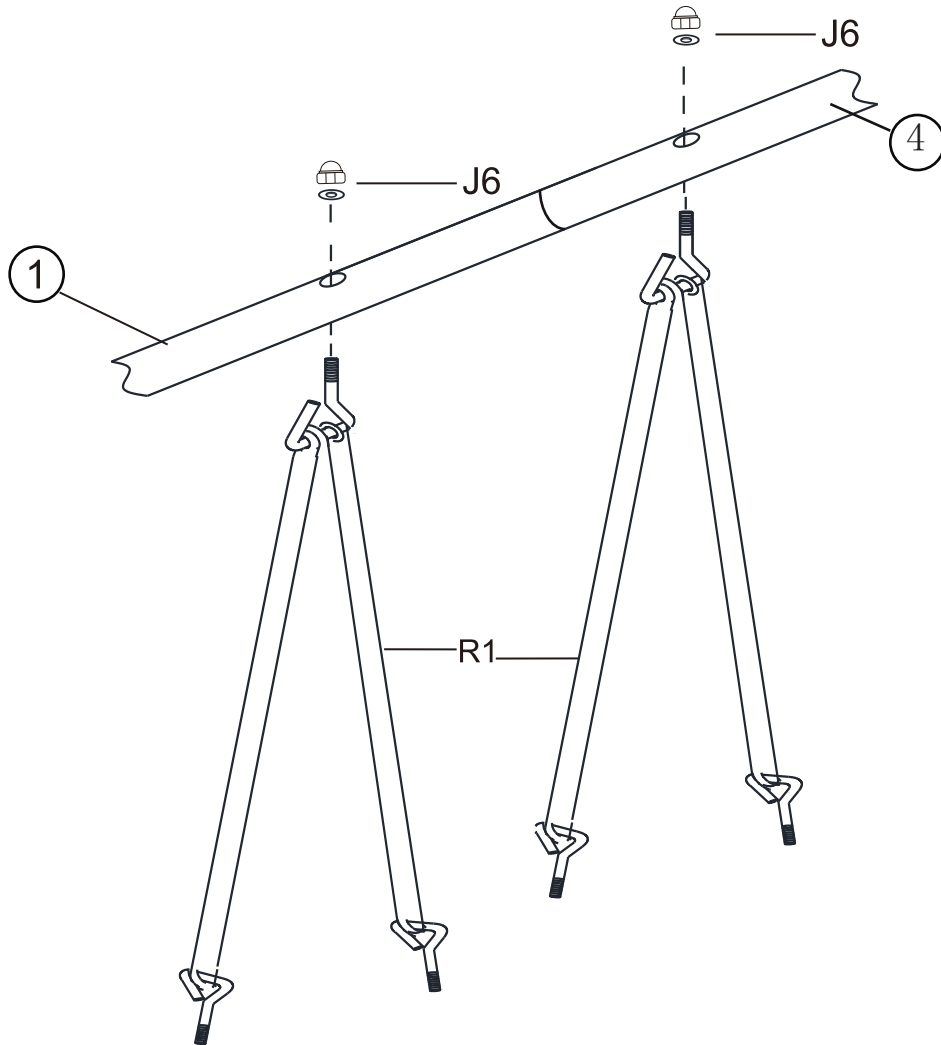


**DIAGRAM B**



**Step 8: Nest Swing assembly (continued)**

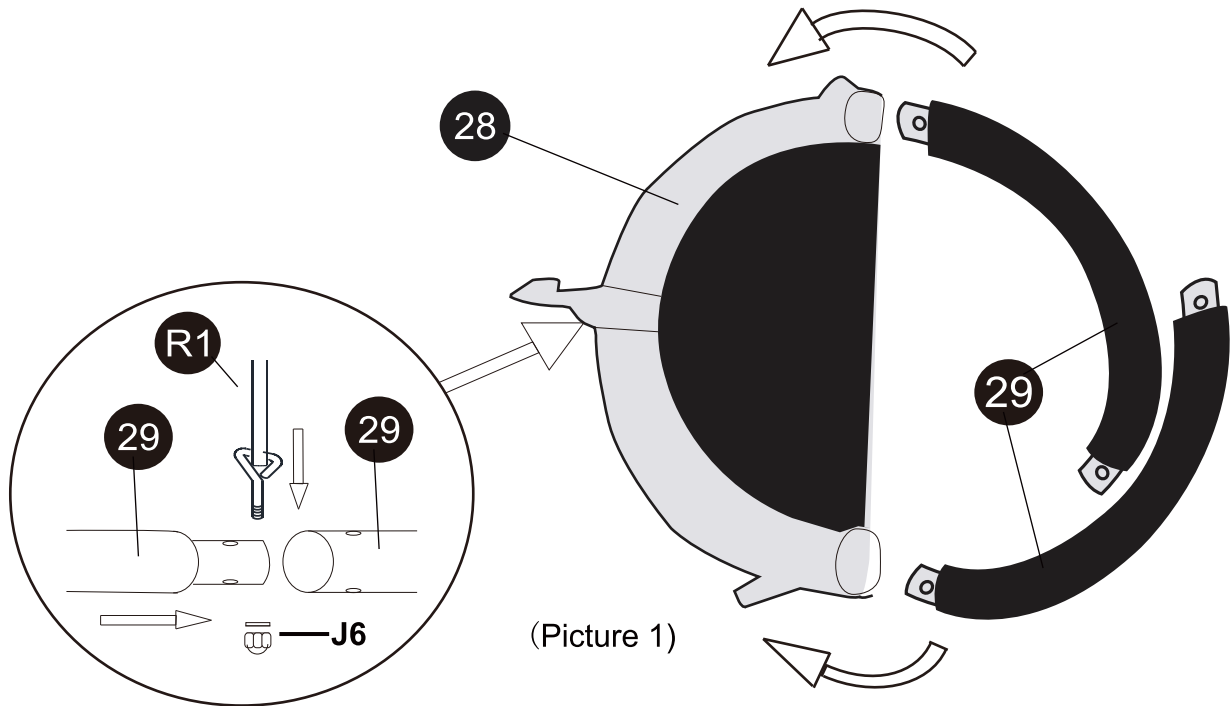
Connect R1 to 1 and 4, Secure using Nut and washer(J6), as the below shown.



**NOTE:**

1. Do not over-tighten the nuts and bolts at every step.
2. Do not snap in the cover of plastic cap until you have finished the assembly of each step and went back to tighten all of the nuts and bolts.

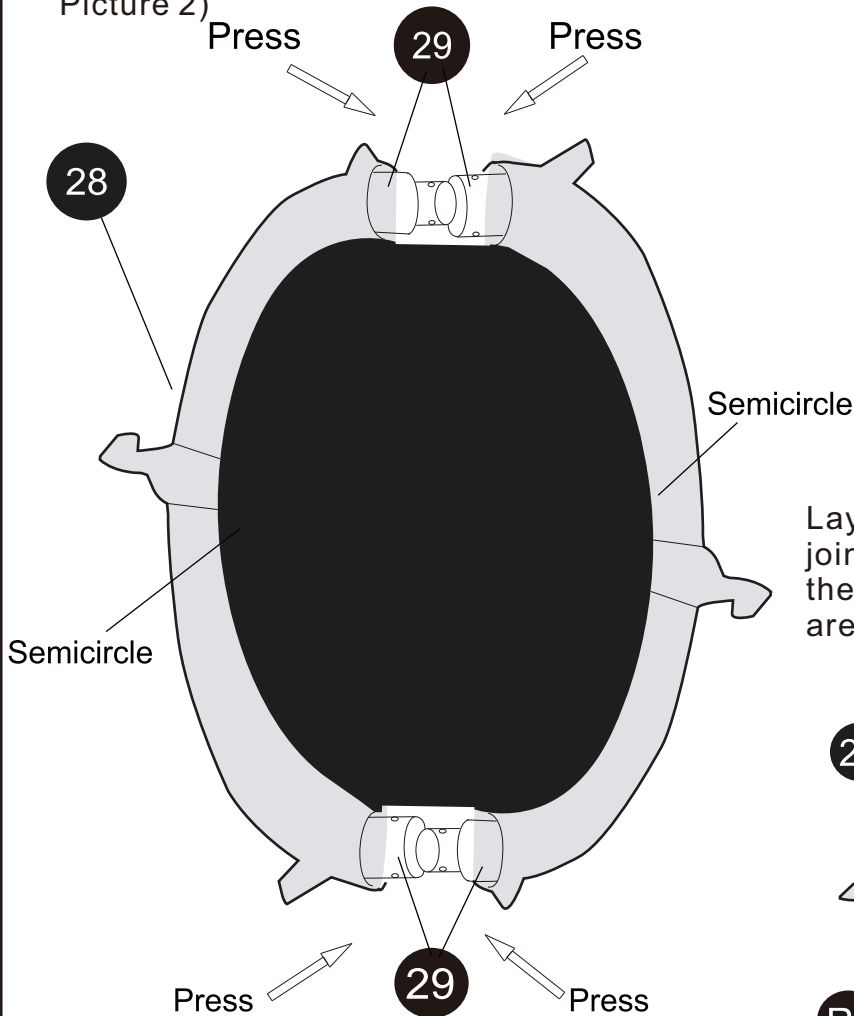
**Step 9: Nest Swing assembly (continued)**



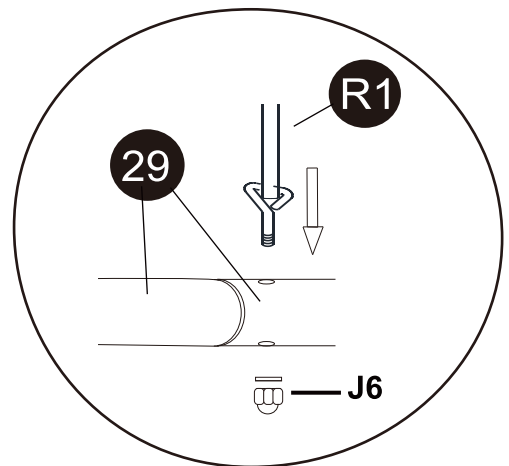
(Picture 1)

Insert the 29 into the 28. Join the metal tubes together and then fasten them by using the bolt at the end of the R1 and J6. (See Picture 1)

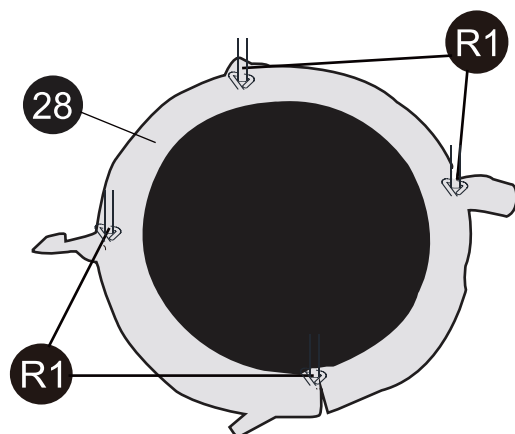
Repeat this for the other side, and then the nest swing becomes two semicircles. (See Picture 2)



(Picture 2)



Lay the two semicircles on the ground, join the two part tubes together, and then press it down so that two parts are joined together as a circle.



Finished

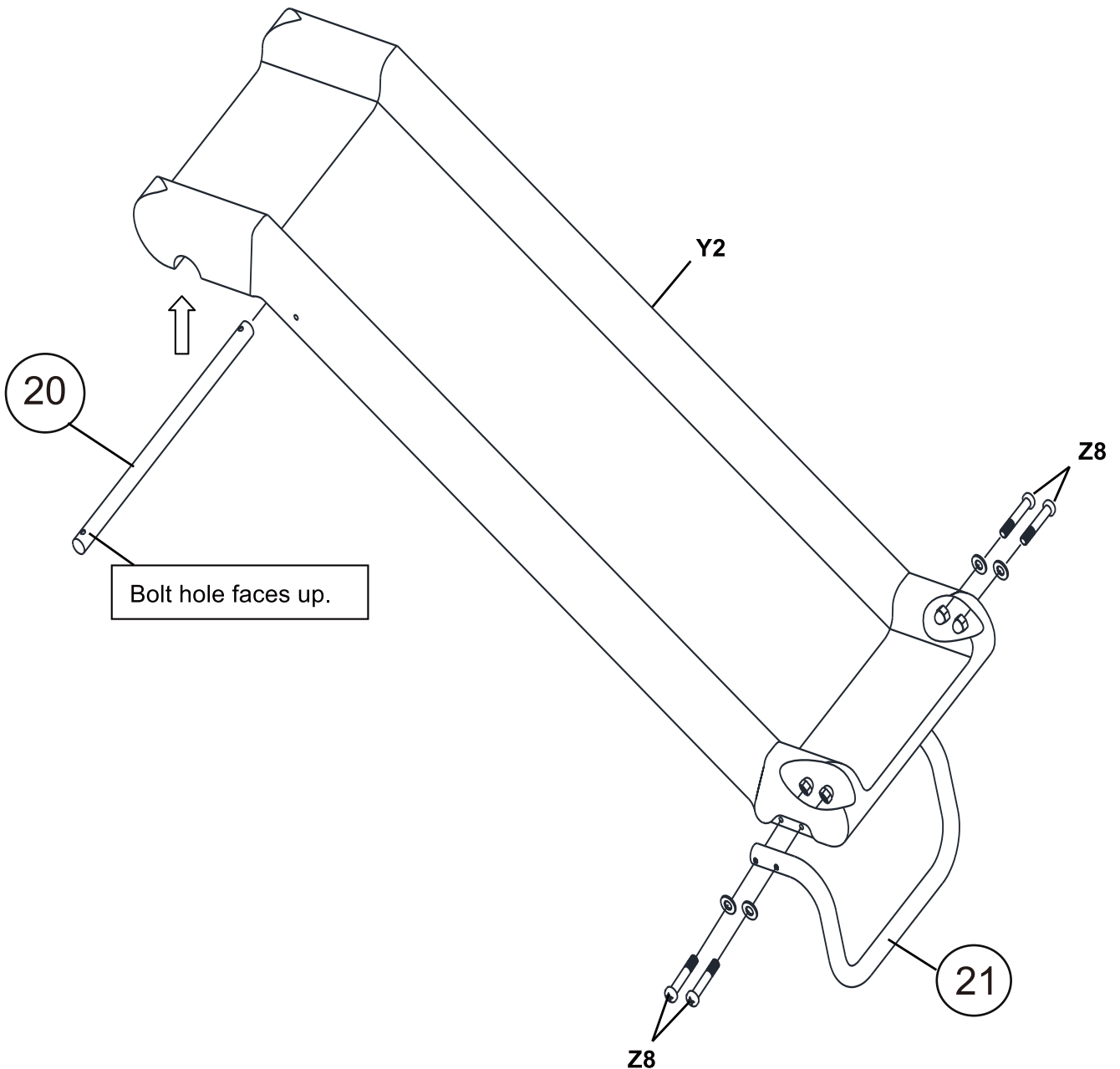
**Step 10: Slide assembly(continued)**

Insert 21 into the base of Y2,Secure using M6x62mm Bolts (Z8).

Attach 20 to Y2.

Note: Make sure that the bolt holes face up.

Z8 M6x62mm(x4)



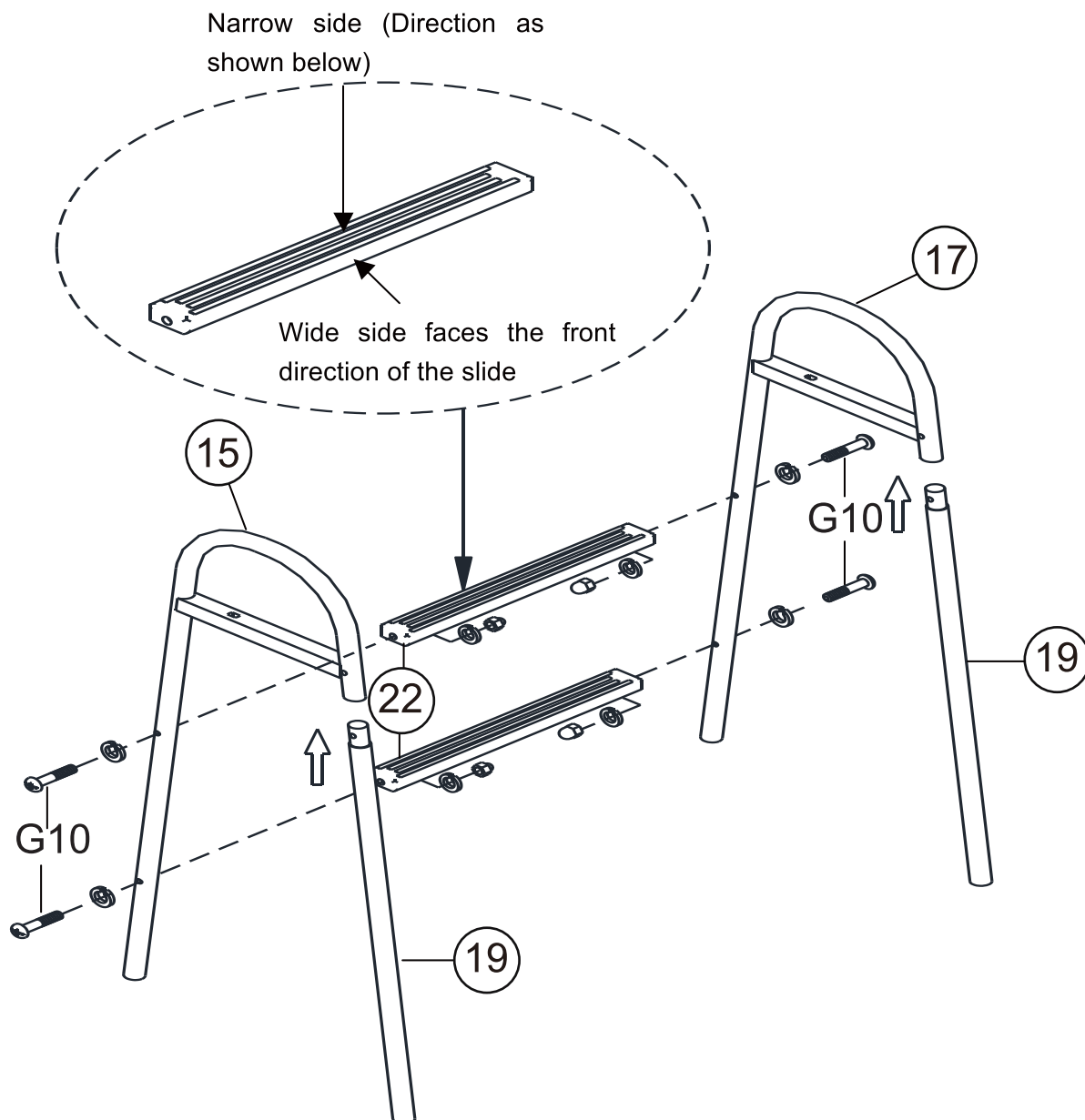
**NOTE**

- 1. Do not over-tighten the nuts and bolts at every step.**
- 2. Do not snap in the cover of plastic cap until you have finished the assembly of each step and went back to tighten all of the nuts and bolts.**

### Step 11: Slide assembly(continued)

Attach 22 to 15 and 17, Secure using M6x35mm Bolts (G10),  
Attach 19 to 15 and 17,  
Align holes and hold in position

G10 M6x35mm(x4)



#### NOTE

1. Do not over-tighten the nuts and bolts at every step.
2. Do not snap in the cover of plastic cap until you have finished the assembly of each step and went back to tighten all of the nuts and bolts.

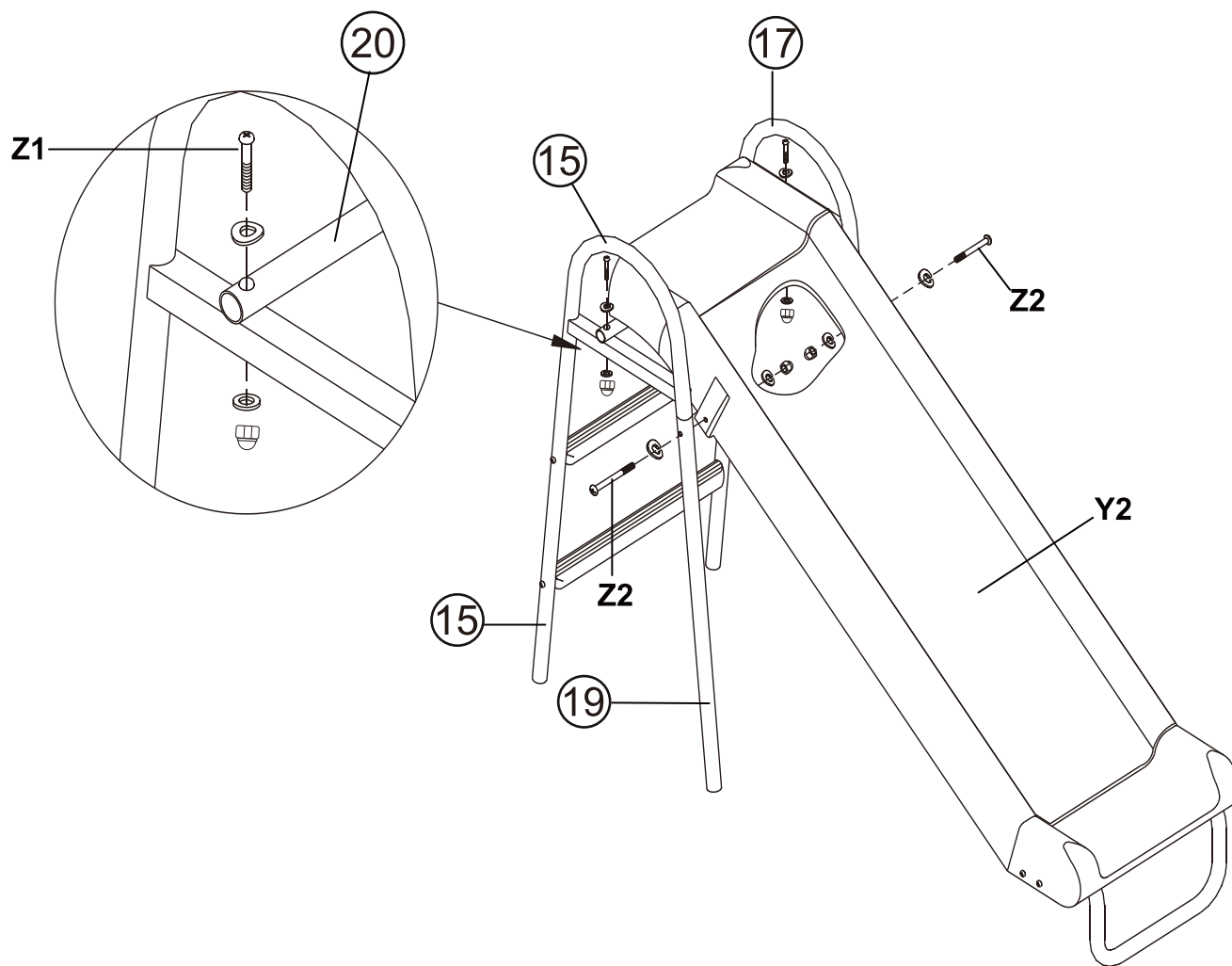
**Step 12: Slide assembly**

Attach 20 to 15 and 17, Secure using M6x52mm Bolts (Z1).

Attach 19 to Y2, Secure using M6x113mm Bolts (Z2).

Z1 M6x52mm(x2)

Z2 M6x113mm(x2)



**NOTE**

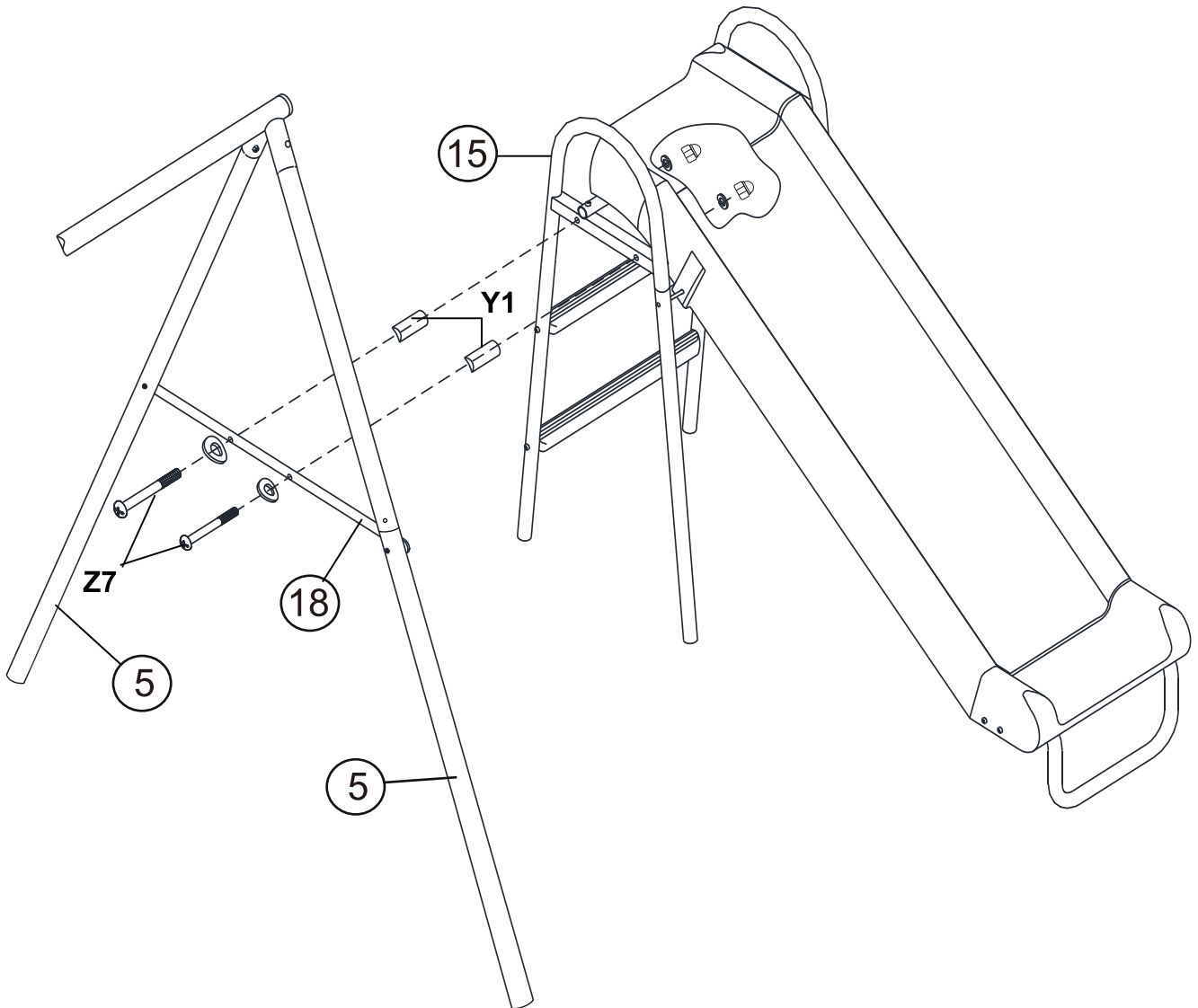
- 1. Do not over-tighten the nuts and bolts at every step.**
- 2. Do not snap in the cover of plastic cap until you have finished the assembly of each step and went back to tighten all of the nuts and bolts.**



**Step 13: Slide assembly**

Fit Y1 in between 15 and 18, Secure using M8x86mm Bolts (Z7)

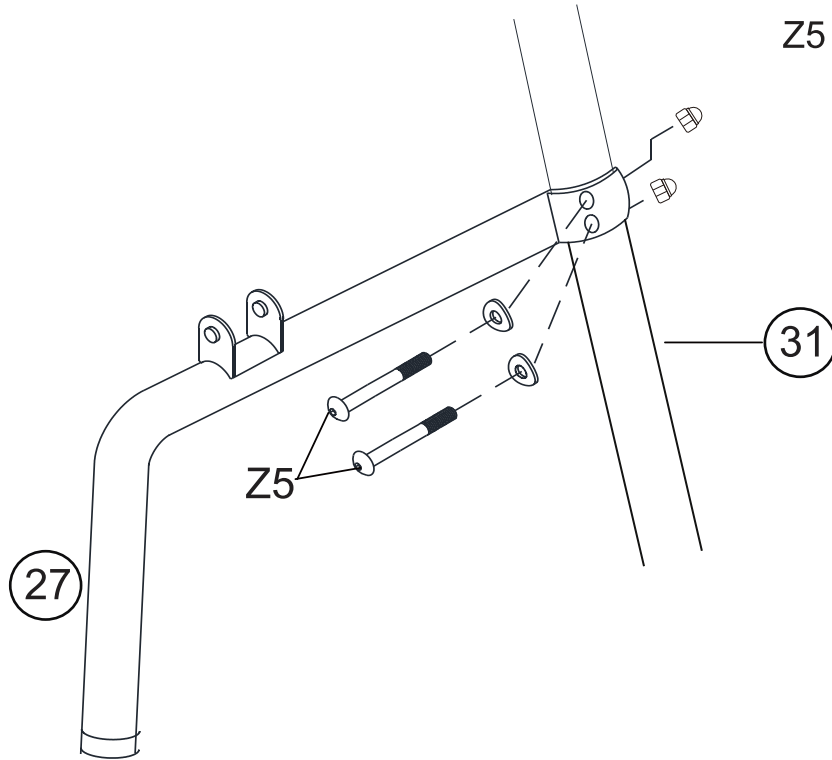
Z7 M8x86mm(x2)



**Step 14: See saw assembly**

Attach 27 to 31, Align the holes and Secure using M8x62mm Bolts (Z5)

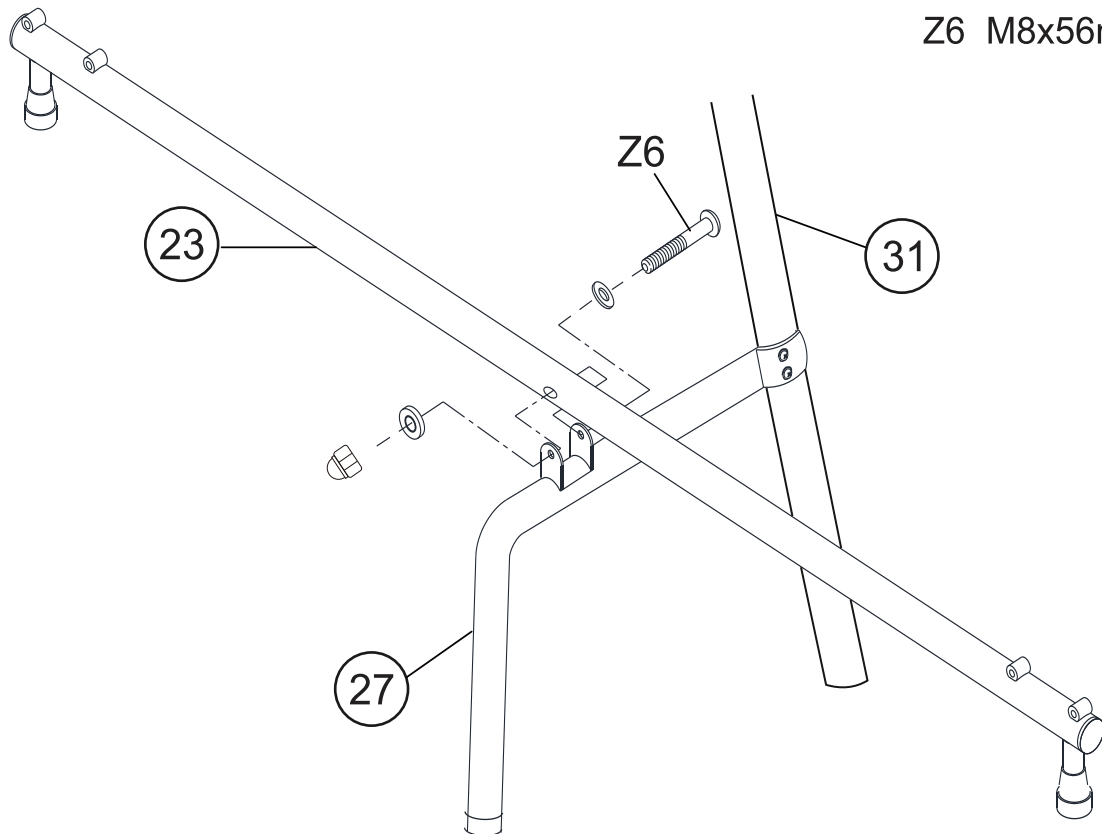
Z5 M8x62mm(x2)



**Step 15: See saw assembly**

Attach 23 to 27, Secure using M8x56mm Bolts (Z6)

Z6 M8x56mm(x1)

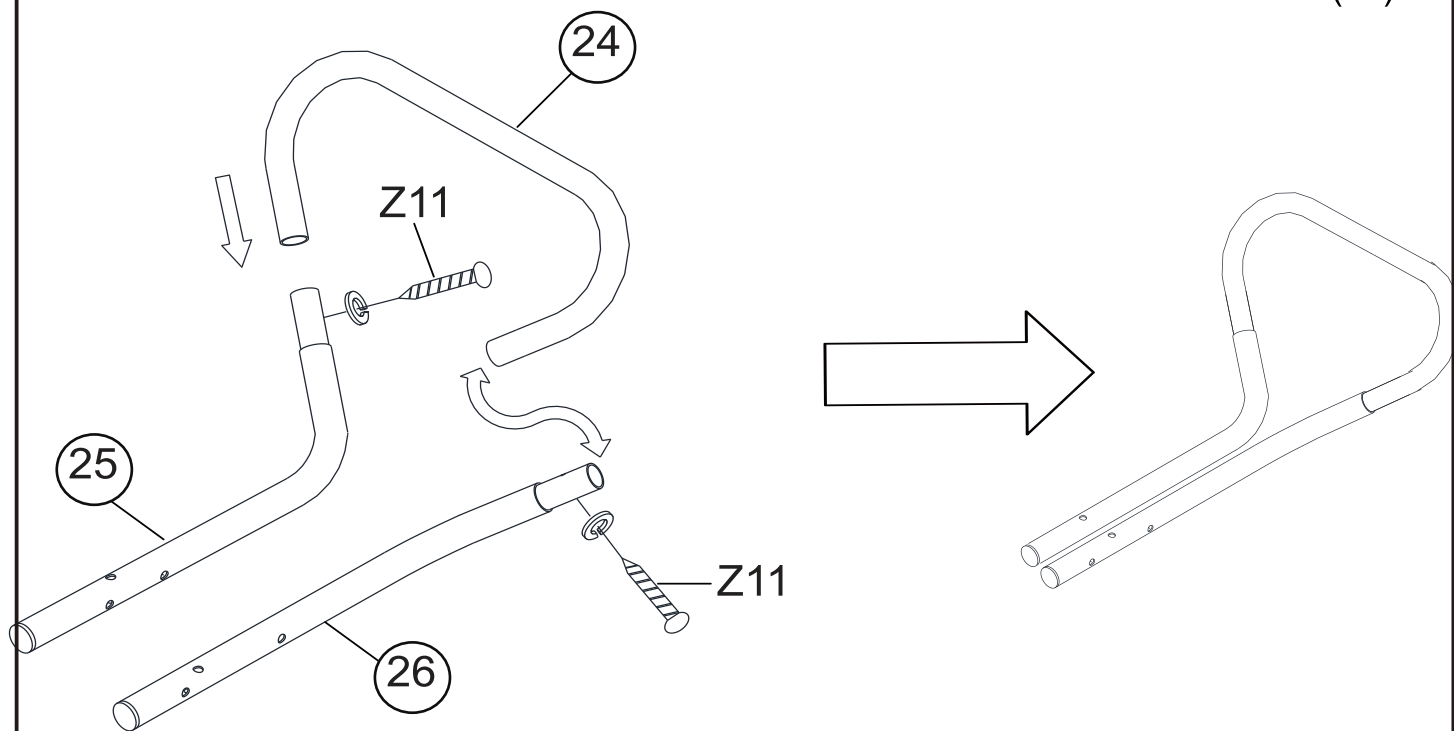


**Step 16: See saw assembly**

Attach 24 to 25 and 26, Secure using M4x12mm Bolts (Z11).

Repeat for the other side.

Z11 M4x12mm(x4)

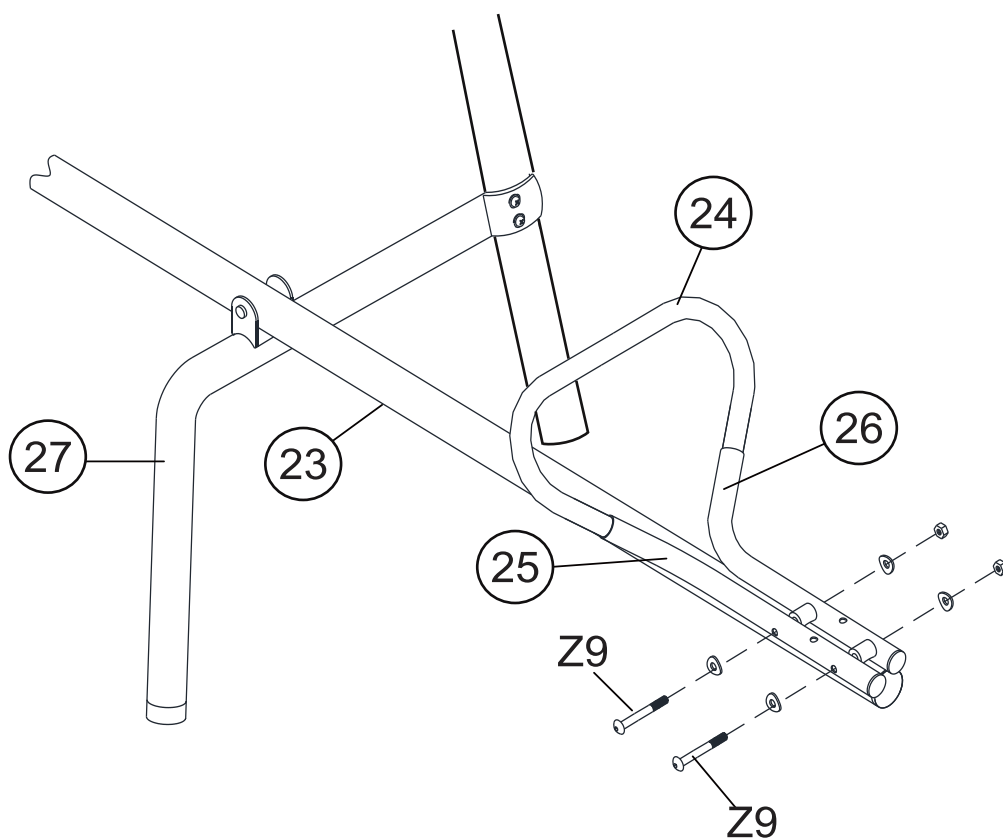


**Step 17: See saw assembly**

Attach 24,25,26 to 23, Secure using M8x93mm Bolts (Z9).

Repeat for the other side.

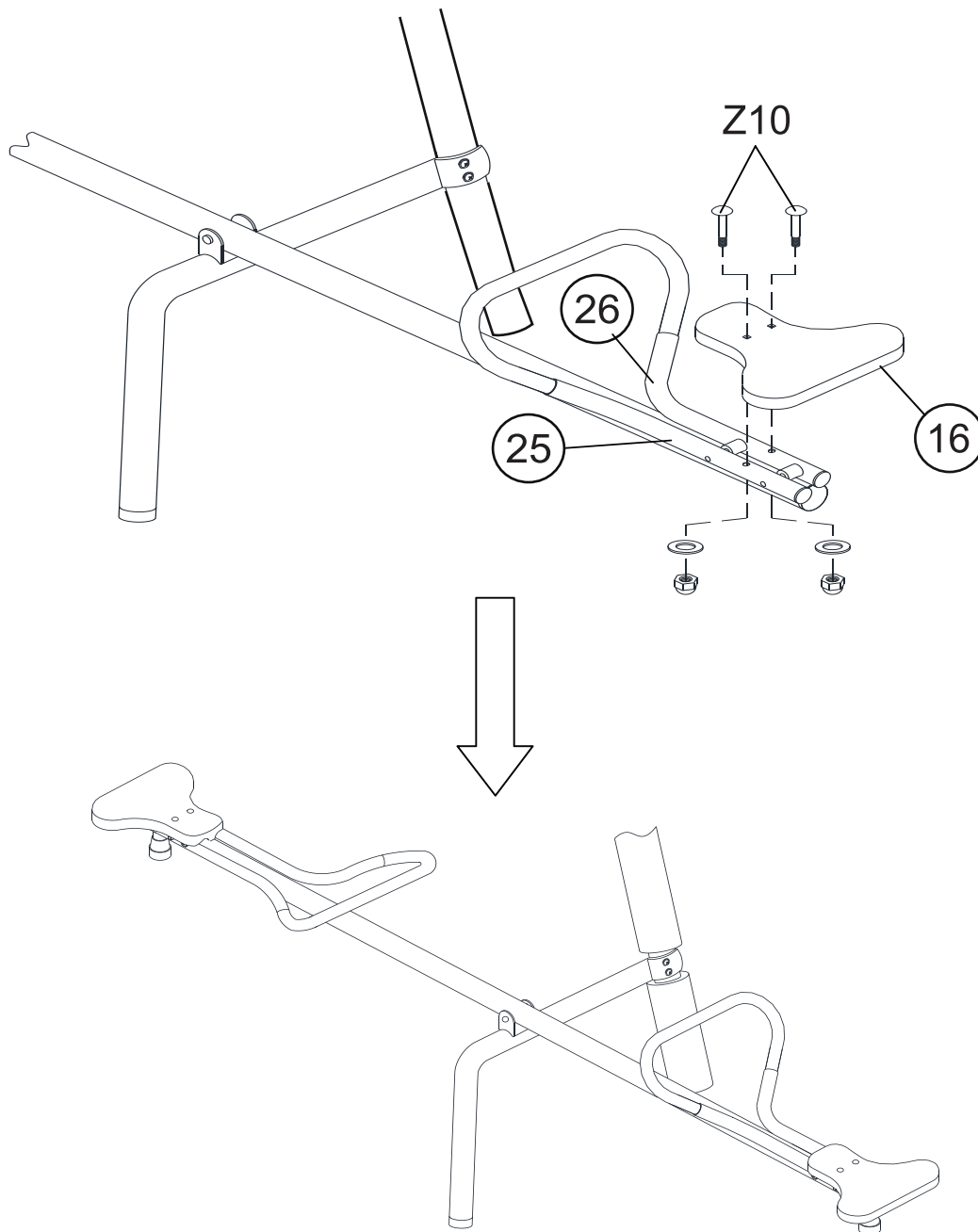
Z9 M8x93mm(x4)



**Step 18: See saw assembly**

Attach 16 to 25.26, Secure using M6x38mm Bolts (Z10).  
Repeat for the other side.

Z10 M6x38mm(x4)



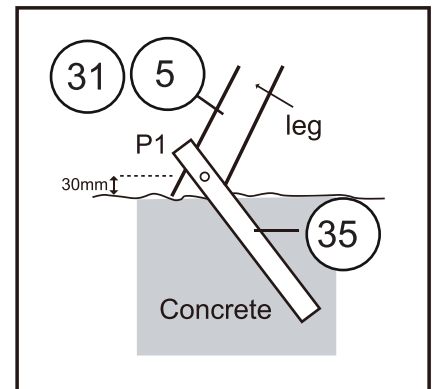
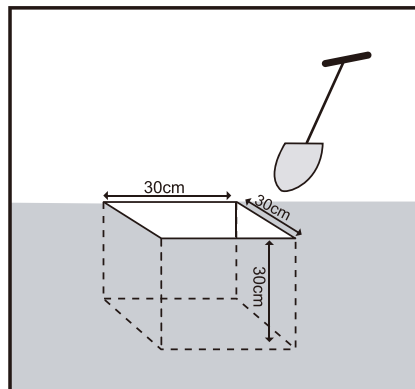
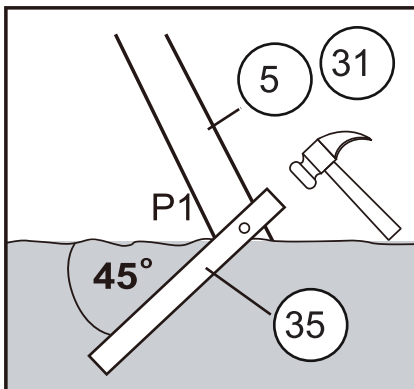
**NOTE**

- 1. Do not over-tighten the nuts and bolts at every step.**
  - 2. Do not snap in the cover of plastic cap until you have finished the assembly of each step and went back to tighten all of the nuts and bolts.**
- Note: Make sure to go back to check all hardware and securely tighten all bolts and nuts before using the playground equipment.**

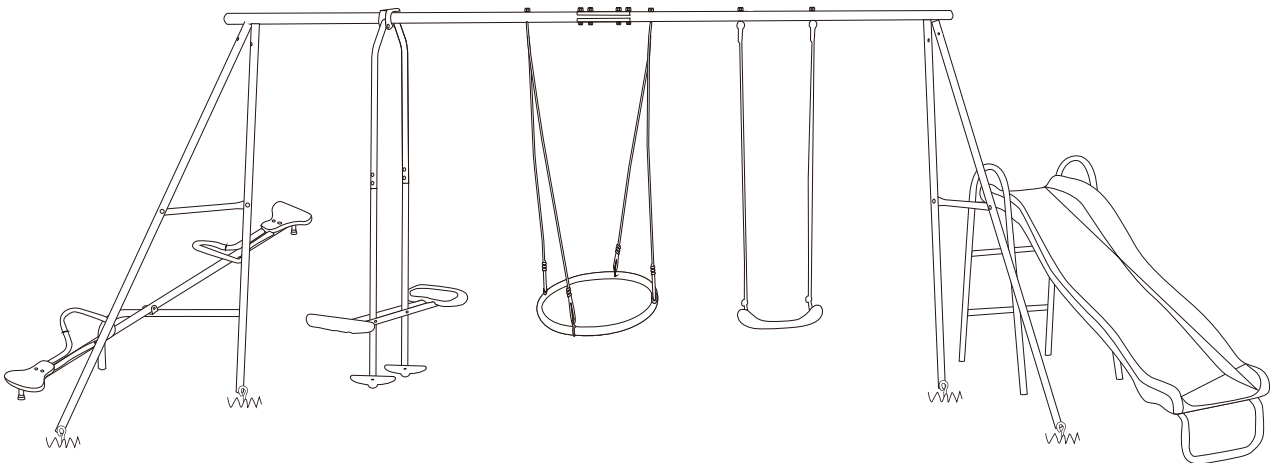
## Step 19: Ground pegs assembly

**Warning:** For safety reasons this swing set **MUST** be anchored into the ground. To carry out this procedure you must hammer the included Ground Pegs into the ground at the angle shown in the picture above. The Ground Pegs must pull into hard earth and hold firmly. We highly recommend that the Ground Pegs be concreted but this is optional. However, if the ground is soft and the Ground Pegs can easily be pulled out by hand once installed then concreting is essential. Contact our Service Centre for more information if you are unsure regarding the installation of the Ground Pegs.

Anchors shall be placed level with or under the ground in order to reduce tripping hazards. Connect 35 and 5,31, Secure using M6x73mm Bolts(Z12)



Once assembly is completed, carefully check equipment. In the unlikely event that you do find any problems, please contact us. **DO NOT** allow children to use this product until the problem has been corrected.



If you have any questions, please contact our customer care center.  
Our contact details are below:



001-877-644-9366



customerservice@aosom.com

Imported by Aosom LLC  
27150 SW Kinsman Rd Wilsonville, OR 97070 USA  
MADE IN CHINA

