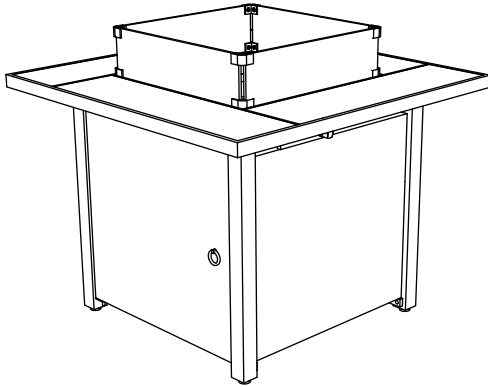




IN221100405V01_US

842-291V00

If any parts are missing or defective contact us at env-service@outlook.com or call **423-415-1682**

INSTALLER:
Leave this manual with the appliance.
CONSUMER:
Retain this manual for future reference.

**DANGER****CARBON MONOXIDE HAZARD**

This appliance can produce carbon monoxide which has no odor.

Using it in an enclosed space can kill you.

Never use this appliance in an enclosed space such as a camper, tent, car or home.

**DANGER****FIRE OR EXPLOSION HAZARD**

If you smell gas:

- Shut off gas to the appliance.
- Extinguish any open flame.
- If odor continues, leave the area immediately.
- After leaving the area, call your gas supplier or fire department.

Failure to follow these instructions could result in fire or explosion, which could cause property damage, personal injury, or death.

**WARNING**

Do not store or use gasoline or other flammable vapors and liquids in the vicinity of this or any other appliance. An LP-cylinder not connected for use shall not be stored in the vicinity of this or any other appliance.

**WARNING**

For outdoor use only. Installation and service must be performed by a qualified installer, service agency, or the gas supplier.

**WARNING**

If the information in this manual is not followed exactly, a fire or explosion may result causing property damage, personal injury, or loss of life.

Improper installation, adjustment, alteration, service or maintenance can cause injury or property damage. Refer to the owner's information manual provided with this appliance. For assistance or additional information consult a qualified installer, services agency or the gas supplier.

**ASSEMBLY INSTRUCTION**

TABLE OF CONTENTS

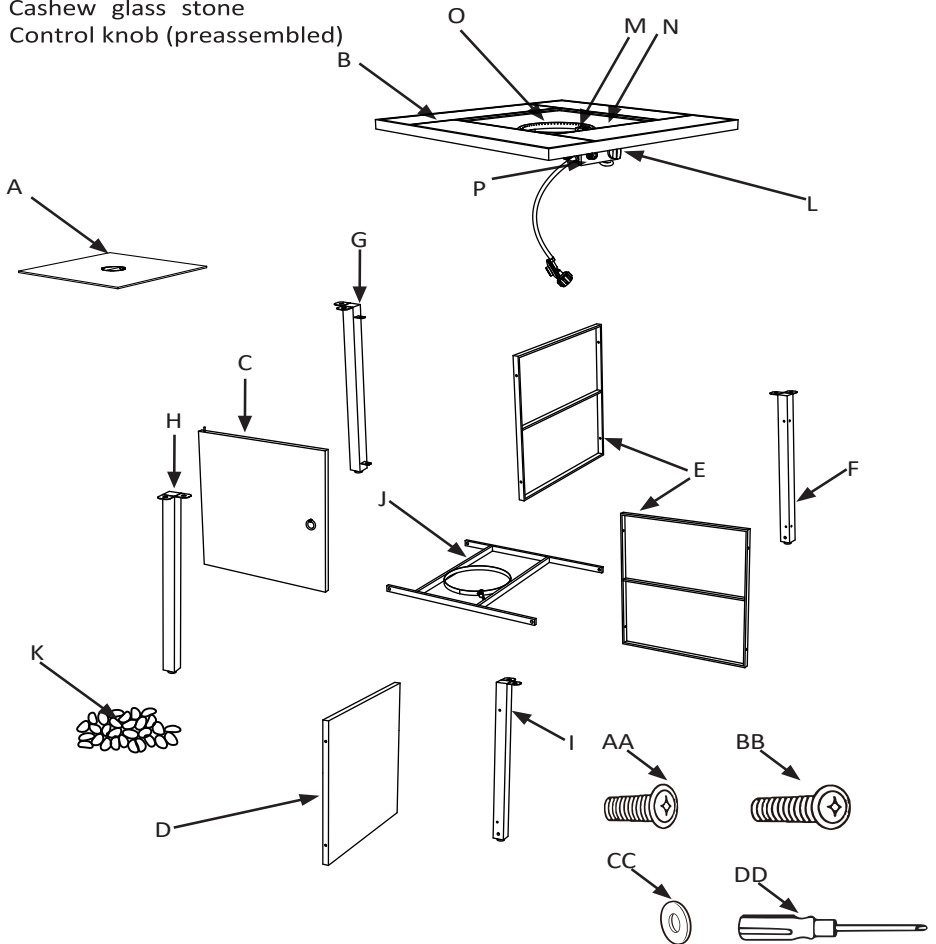
Table of contents

Parts list	3
Safety instructions	4
Assembly instructions	7
User instructions	11
Cleaning and maintenance	12
Other useful information	12
Storing	12
Environmental protection	12
Service center	12

PARTS LISTS

Main part

- | | |
|-------------------------------|-------------------------------------|
| A Lid | M Guard (preassembled) |
| B Tabletop | N Firebowl (preassembled) |
| C Door | O Burner (preassembled) |
| D Front panel | P Electronic igniter (preassembled) |
| E Side panel (x2) | AA. M6x16 screw(x9) |
| F Right back leg | BB. M6x40 screw(x16) |
| G Left back leg | CC. Washer (x25) |
| H Left front leg | DD. Screwdriver |
| I Right front leg | |
| J Metal stand | |
| K Cashew glass stone | |
| L Control knob (preassembled) | |



SAFETY INSTRUCTIONS

General information

Before you assemble or operate this unit, please carefully read this entire manual. Failure to do so may result in a fire, explosion, injury or death.

WARNING

1. The installation of this unit must adhere to local codes or Propane Storage and Handling Code, CSA B149.2
2. **THIS UNIT IS INTENDED FOR OUTDOOR USE ONLY!** This product shall be used outdoors, in a ventilated space and shall not be used in any enclosed area.
3. This unit is to be used with propane gas only! (sold separately)
4. Do not attach a remote gas supply to this unit.
5. Only use propane gas for this unit.
6. This unit is not intended for natural gas.
7. Converting this unit to natural gas is dangerous and not recommended. The conversion of this unit will void the manufacturer warranty.
8. Do not use any solid fuel or charcoal for this unit.
9. When igniting this unit, stay away from the burner as the flame will light up and may cause injury.
10. **LP GAS WARNING:** Do not use any more than 1/4in depth lava rocks/pumice stones/LavaGlass™ above the burner holes. Doing so will suffocate the flame.
11. If the propane gas tank is leaking gas, you may hear, see, or smell a hiss. Do the following:
 1. Disconnect the propane gas tank.
 2. Do not attempt to fix the problem yourself.
 3. Contact your gas supplier or fire department for help.
12. Applying too much propane may result in gas pooling and will not burn. Allow fresh air into the unit so that the remaining gas may escape.
13. Do not use a flame to check for gas leaks.
14. Manifold pressure: 11 inch w.c. (2.74kPa).
15. Use LP propane tanks with the following dimensions: diameter 12 in, height 18 in.
16. You must use a propane tank that has a collar to protect the gas valve.
17. **DO NOT** fill tank over 80 percent full.
18. The tank system must be set up for vapor withdrawal.
19. Discontinue use if any part of the propane tank is damaged. Rust and dents may be hazardous and should be inspected by a gas supplier.
20. Do not burn anything other than the provided materials for this fire table.
21. Keep away from the unit for the first 20 minutes after igniting your unit for the first time, as lava rocks/pumice stones/LavaGlass™ could pop out and cause injury. Should any rocks pop out, discard them.
22. Always ensure that lava rocks/pumice stones/LavaGlass™ are completely dry before use. Failure to do so will cause them to crack or pop.
23. Do not operate unit until all parts are fully assembled.
24. Do not paint or color any part of this heating unit.
25. Unit may be hot while in use, do not attempt to move it while in use.
26. Never leave this heating unit unattended while in use.
27. This unit is not intended for cooking.
28. Keep any flammable items away and do not use any other fireplace cover for this unit.
29. Keep a safe distance to avoid burning skin or clothing.
30. Do not sit or rest hands or feet on this heating unit.
31. Never place hands or fingers on upper portion of this unit while in use.
32. Keep all electrical cords and fuel supply hose away from heated surfaces.
33. Combustible material should not be within 60 inches of the top of the unit, or

SAFETY INSTRUCTIONS

within 48 inches around the entire unit.

34. Keep the appliance area clear and free from combustible material, gasoline and other flammable vapors and liquids.
35. If the flame goes out while burning, turn the gas valve off. Wait 5 minutes before repeating the initial lighting procedure. Once you have a flame started, hold down the control knob for 1 minute.
36. Do not add water into the unit.
37. Do not operate unit if any part has been under water. Call a service technician to replace any damaged parts should this occur.
38. Do not disconnect any part while unit is in use.
39. Do not store a spare propane tank on or near this unit.
40. If the heating unit is indoors, detach the propane tank and leave outdoors.
41. Do not operate on a boat or vehicle. This unit must be used on a flat surface and outdoors ONLY.
42. Always remove protective cover before operating (if applicable).
43. Do not set the protective cover over the unit until it is turned off and completely cooled down.
44. Check for leaks after not using the unit for long periods of time.
45. Children should never operate this unit. Children must be supervised while near this unit.
46. Keep gas tank at least 5 feet away from unit when lit. (if external tank)
47. Maximum gas supply: 250 psi; Min. gas supply: 10 psi.
48. All installation and repair should be done by a qualified professional. This unit should be inspected annually and cleaned regularly.
49. Inspect all elements of this heating unit before each use. If there is damage, the burner must be replaced.
50. Keep the hose out from any pathways to eliminate any accidental damage. (if external tank)
51. Be aware of the hazards of high temperatures and stay away from the unit to avoid any burns or injury.
52. The gas supply tank should be constructed and marked with the specifications for the LP gas tanks of the U.S. Department of Transportation or the National Standard of Canada CAN/CSA-B339, LP gas tanks, spheres and tubes for Transportation of Dangerous Goods; and Commission.
53. The LP gas tank must have a listed overfilling prevention device and a QCCI or Type I, (CGA791) LP gas tank connection.
54. This heating appliance should not be used on plastic or artificial wood decks.
55. **Children and adults should be alerted to the hazards of high surface temperatures and should stay away to avoid burns or clothing ignition.**
56. **Young children should be carefully supervised when they are in the area of the appliance.**
57. **Clothing or other flammable materials should not be hung from the appliance or placed on or near the appliance.**
58. **Any guard or other protective device removed for servicing the appliance shall be replaced prior to operating the appliance.**
59. **Installation and repair should be done by a qualified service person. The appliance should be inspected before use and at least annually by a qualified service person. More frequent cleaning may be required as necessary. It is imperative that the control compartment, burners and circulating airways of the appliance are kept clean.**

IF APPLICABLE:

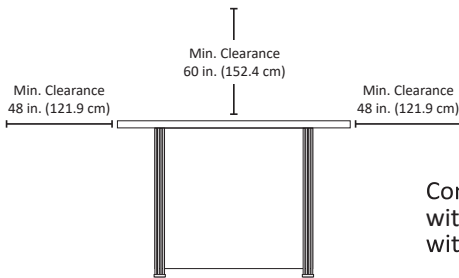
60. Allow heating item to cool completely before placing on lid.
61. DO NOT use heating item while lid is installed. Always remove the lid while heating item is in use.

SAFETY INSTRUCTIONS

Only use the regulator and hose assembly provided with this unit.

Inspect the burner before use of this unit. If the burner shows any kind of damage, do not operate the appliance.

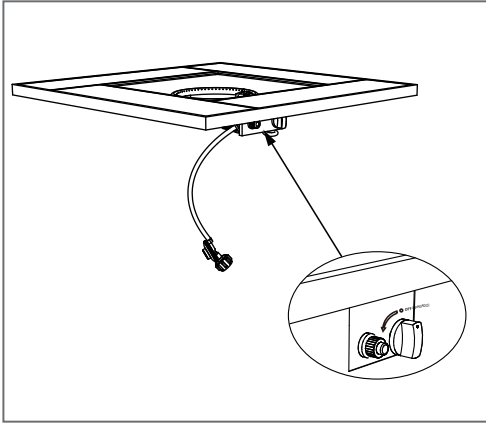
NOTE: You must follow all steps to properly assemble this heating item. Make sure the gas valve is turned "OFF" before assembling. Do NOT attempt to assemble without proper tools.



Combustible materials should not be within 60 inches of the top of the unit, or within 48 inches around the entire unit.

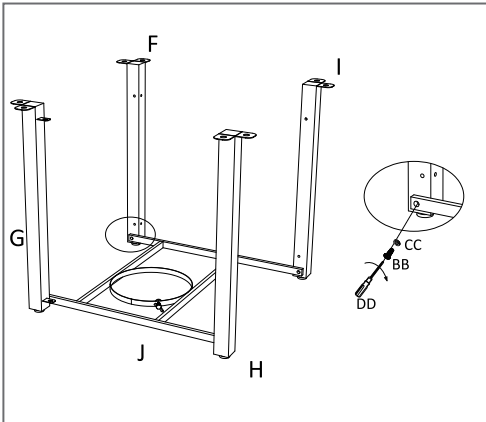
SAVE ALL INSTRUCTIONS FOR FURTHER USE

ASSEMBLY INSTRUCTIONS



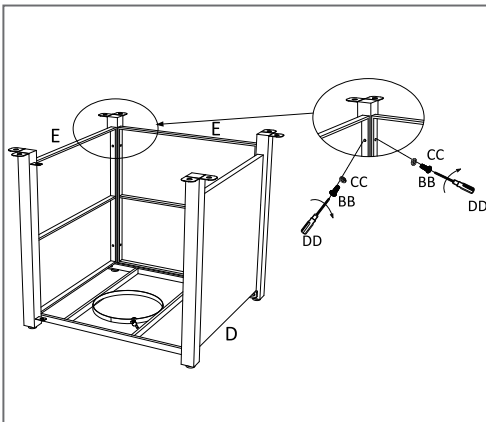
Checking the gas control

1. Check that the control knob (L) for the gas supply system is turned to the "OFF" position before starting any assembly.



Attaching the legs

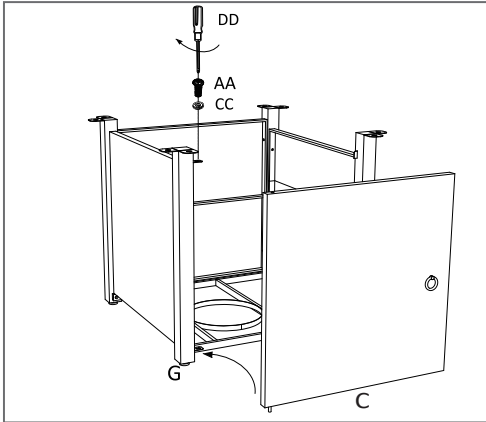
2. Attach left back leg (G), left front leg (H), right back leg (F) and right front leg (I) to the metal stand (J) using 4 pcs M6 x 40 screws (BB) and 4 pcs washers (CC).



Attaching the side and front panels

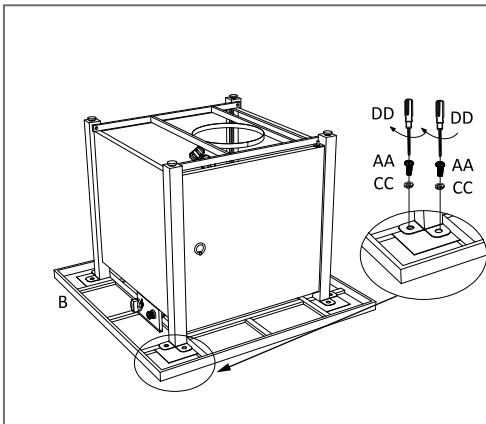
3. Attach the 2 side panels (E) and front panel (D) to the legs using 12 pcs M6 x 40 screws (BB) and 12 pcs washers (CC).

ASSEMBLY INSTRUCTIONS



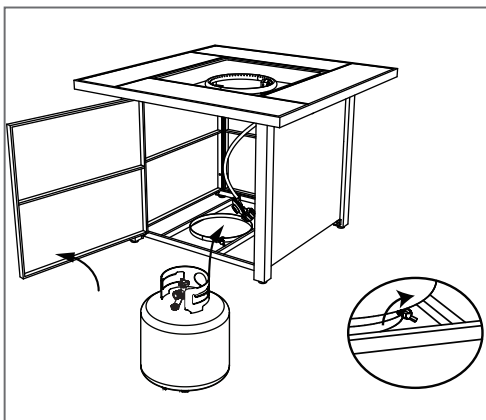
Attaching the door

4. Insert the door (C) into the bottom opening on the left back leg (G) and secure top connection using 1 pc M6 x 16 screw (AA) and 1 pc washer (CC).



Attaching the tabletop

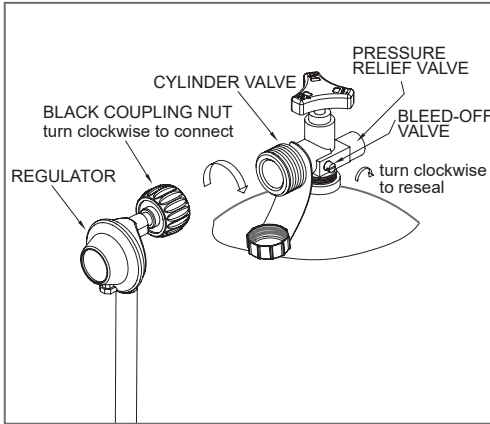
5. Attach table base to the bottom part of the table top (B) using 8 pcs M6 x 16 screws (AA) and 8 pcs washers (CC).



Securing the propane tank

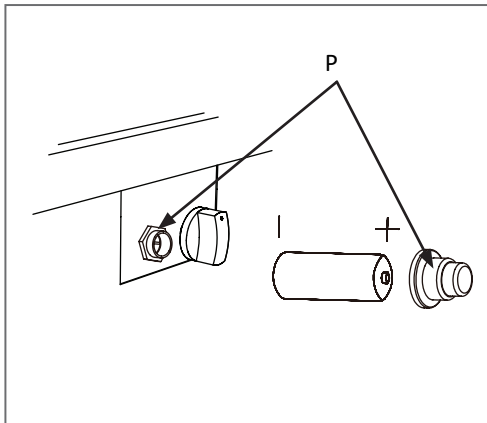
6. Place propane gas tank (not included) into the metal stand (J). Make sure the gas tank sits on the metal stand (J) completely. Turn the preassembled wing screw on the outer part of metal stand (J) clockwise to secure the propane gas tank tightly.

ASSEMBLY INSTRUCTIONS



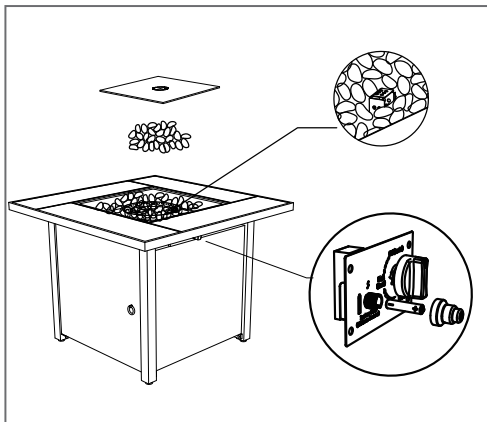
Attaching the regulator

7. Turn the cylinder valve on the tank clockwise to close the propane tank. Attach the preassembled regulator from the table top (B) to the cylinder valve by turning the regulator coupling nut clockwise. Make sure it is fastened securely and tighten connections by hand only. After connecting, secure gas hose to the bracket on the inside of the front panel (D).



Installing the battery

8. Remove the rubber cap on the electronic igniter (P) by unscrewing and slide battery(not included) into the battery slot. Make sure the positive side of the battery faces outwards. Screw the electronic igniter cap (P) over the battery tightly.



Pouring the lava rocks

9. Pour the box of Cashew glass stone (K) into the firebowl(N).

⚠ CAUTION

To ensure proper function, the guard (M) on this burner (O) should be free of Cashew glass stone at all times.

ASSEMBLY INSTRUCTIONS

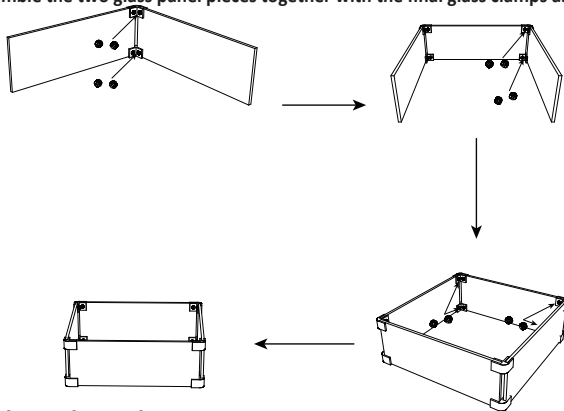
Assembly

1 Assembling the glass

Unscrew all preassembled screws on the glass clamps.

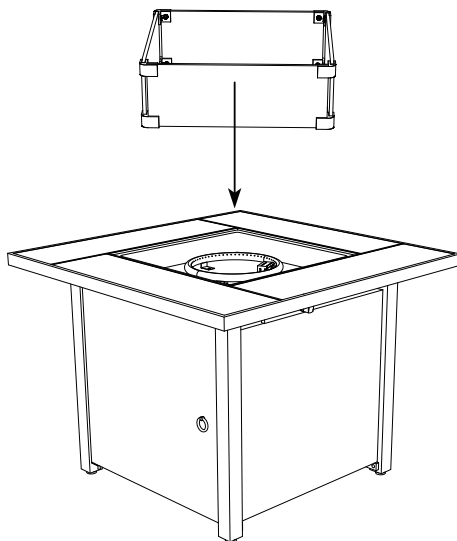
Then, assemble one glass panel to the other glass panel . Repeat for the rest two glass panels.

Then, assemble the two glass panel pieces together with the final glass clamps as shown below.



2 Inserting the glass

Insert the glass assembly made in step 1 into the ridge on the top of the fire table body .



USER INSTRUCTIONS

Before performing a leak test, be sure that no sparks can occur and you are in a spacious outdoor area. Connect the propane gas tank to the regulator and turn the valve on the unit to the “off” position. Brush a soap and water mixture on all connections. Turn the gas supply on; if bubbles occur on any connection there may be a leak. **If you smell gas or a leak is discovered turn the gas valve off, disconnect propane gas tank and do not use the appliance until the leak is repaired.**

Do not use the heating unit without inspecting the gas hose. If there are signs of wear or abrasion you must replace the hose (if applicable). Pumice stones/lava rocks/LavaGlass™ could pop up and strike somebody’s face during the process of lighting this unit; stand away from the unit for the first 20 minutes after igniting. Flame height should be a yellow/blue color between 10 - 25 inches in height.

Wait 50 minutes after extinguishing flame prior to placing a lid (if applicable) or protective cover on heating item.

To light

1. Make sure the control knob (L) is in the “off” position.
2. Open the door (C) and slowly open the valve on the propane gas tank by turning the knob counterclockwise.
3. Close the door (C) on the body.
4. Push and hold in the electronic igniter (P) to create sparks within the electrode, continue to hold.
5. Push in the control knob (L) and turn to the “HIGH” position. Keep holding down the control knob (L) to allow gas to flow for 15 seconds.
6. If ignition doesn’t occur within a few seconds release the control knob (L) and rotate to the “OFF” position. Wait for 5 minutes for gas to clear and then repeat the above lighting instructions.
7. Once the fire product is lit, the flame intensity may be controlled by turning the control knob (L) between the “LOW” and “HIGH” positions.

To extinguish

1. Turn control knob (L) clockwise to the “HIGH” position; let the knob pop up and continue turning the control knob (L) to the “OFF” position.
2. Close the cylinder valve on the propane gas tank if you don’t intend to use it for a long time.

CLEANING AND MAINTENANCE

Cleaning and maintenance

1. Before performing any maintenance always disconnect propane gas tank.
2. Keep the heating item free and clear from combustible materials.
3. Visually inspect burner for obstructions and keep tank enclosure free and clear from debris.
4. Use a soft brush to get rid of the mild stains, loose dirt and soil after the burner and pumice stones/lava rocks/LavaGlass® are completely cooled down. Wipe down with a soft cloth.
5. Harsh weather conditions may cause stubborn stains, discoloration and possibly rust pitting.
6. Permanent damage may occur if powder or solvent comes in contact with painted or plastic components on this heating unit.
7. Keep the heating unit stored away from direct sunlight.
8. If storing this unit inside, disconnect the propane gas tank from the gas valve.
9. Not using manufacturer approved or supplied parts/accessories may result in a defective condition and void the warranty of this heating unit.
10. Always place lid (if applicable) or protective cover on heating item when not in use.
11. Store your product indoors during winter months. Avoiding extreme cold temperatures will prevent from exposure damage.

OTHER USEFUL INFORMATION

Storing

- Allow the fire table to cool completely prior to storing.
- Do not place heavy items on top of the fire table when storing as this may result in possible damage.



Environmental protection

Please be sure that all packaging material is disposed of in an environmentally friendly way.

Dear customer,

Thank you for purchasing this product. So that your appliance serves you well, please read all the instructions in this user's manual. If you have any questions, please contact our customer care center.

Our contact details are below:

Country	 Phone	 Email
US	001-877-644-9366	customerservice@aosom.com