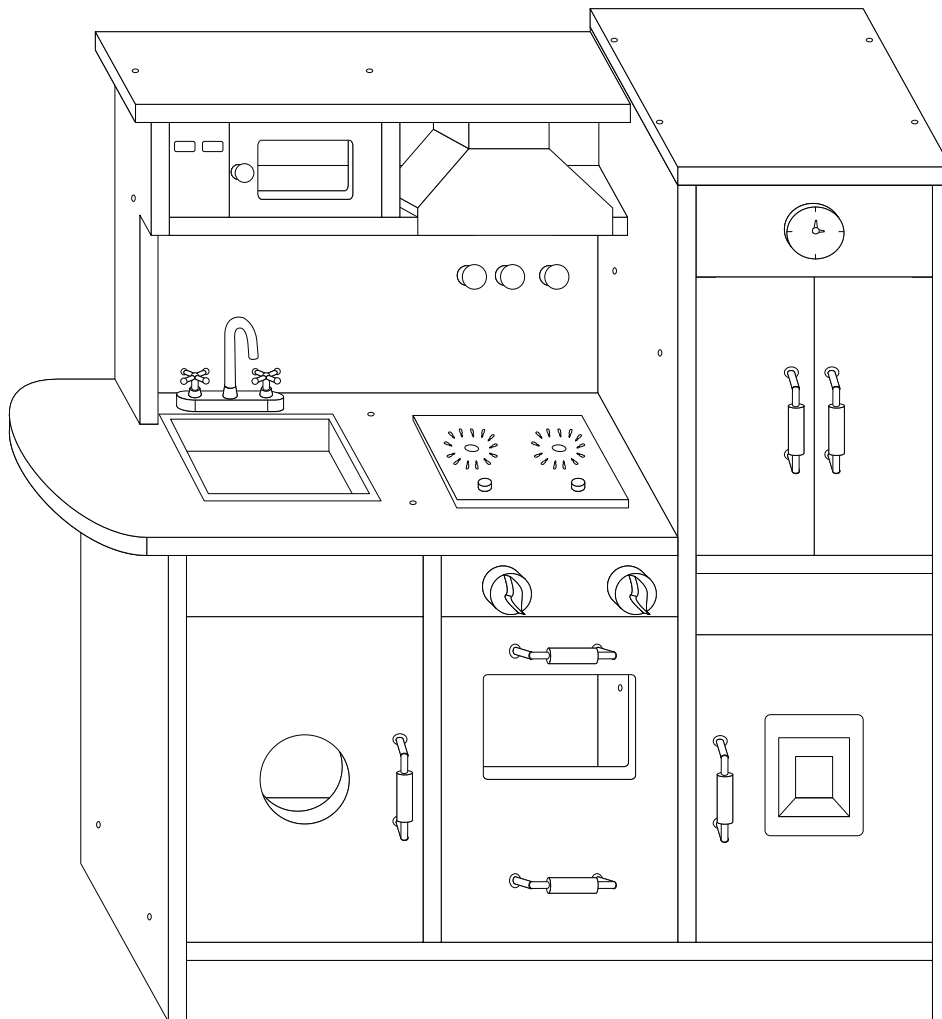




IN221100458V02\_US\_CA

**350-138V00**



**! WARNING:**  
Assembly by an adult.

**! ATTENTION:**  
Montage par un adulte.



EN: Suitable for ages 3-6 years; Maximum load: 50kg.

FR: Convient aux enfants de 3 à 6 ans; Poids maximum : 50 kg.

**EN\_IMPORTANT, RETAIN FOR FUTURE REFERENCE: READ CAREFULLY.**

**FR\_IMPORTANT: A LIRE ATTENTIVEMENT ET À CONSERVER POUR CONSULTATION  
ULTÉRIEURE.**

**WARNING:**

1. CHOKING HAZARD—Small parts. Not for children under 3 years.
2. Only allowed for adults to install, keep children away.
3. To be used under the direct supervision of an adult.
4. Place it on a flat and clean floor, Check all the parts are well connected before use.

**MAINTENANCE & CARE**

- A. Keep all instructions and parts relating to this product for future reference.
- B. Please wipe down with a dry or damp cloth.

**AVERTISSEMENT :**

1. RISQUE D'ÉTOUFFEMENT - Petites pièces. Déconseillé aux enfants de moins de 3 ans.
2. Installation par des adultes uniquement, tenir les enfants à l'écart.
3. À utiliser sous la surveillance directe d'un adulte.
4. Posez-le sur un sol plat et propre. Vérifiez que toutes les pièces sont bien connectés avant toute utilisation.

**ENTRETIEN ET MAINTENANCE**

- A. Conservez toutes les instructions et les pièces relatives à ce produit pour pouvoir vous y référer ultérieurement.
- B. Veuillez essuyer avec un chiffon sec ou humide.

**US**

If you have any questions, please contact our customer care center.  
Our contact details are below:



001-877-644-9366



customerservice@aosom.com

Imported by Aosom LLC  
27150 SW Kinsman Rd Wilsonville, OR 97070 USA  
MADE IN CHINA

**CA**

If you have any questions, please contact our customer care center.  
Our contact details are below:

Si vous avez la moindre question, veuillez contacter notre centre d'assistance à la clientèle.  
Nos coordonnées sont les suivantes:



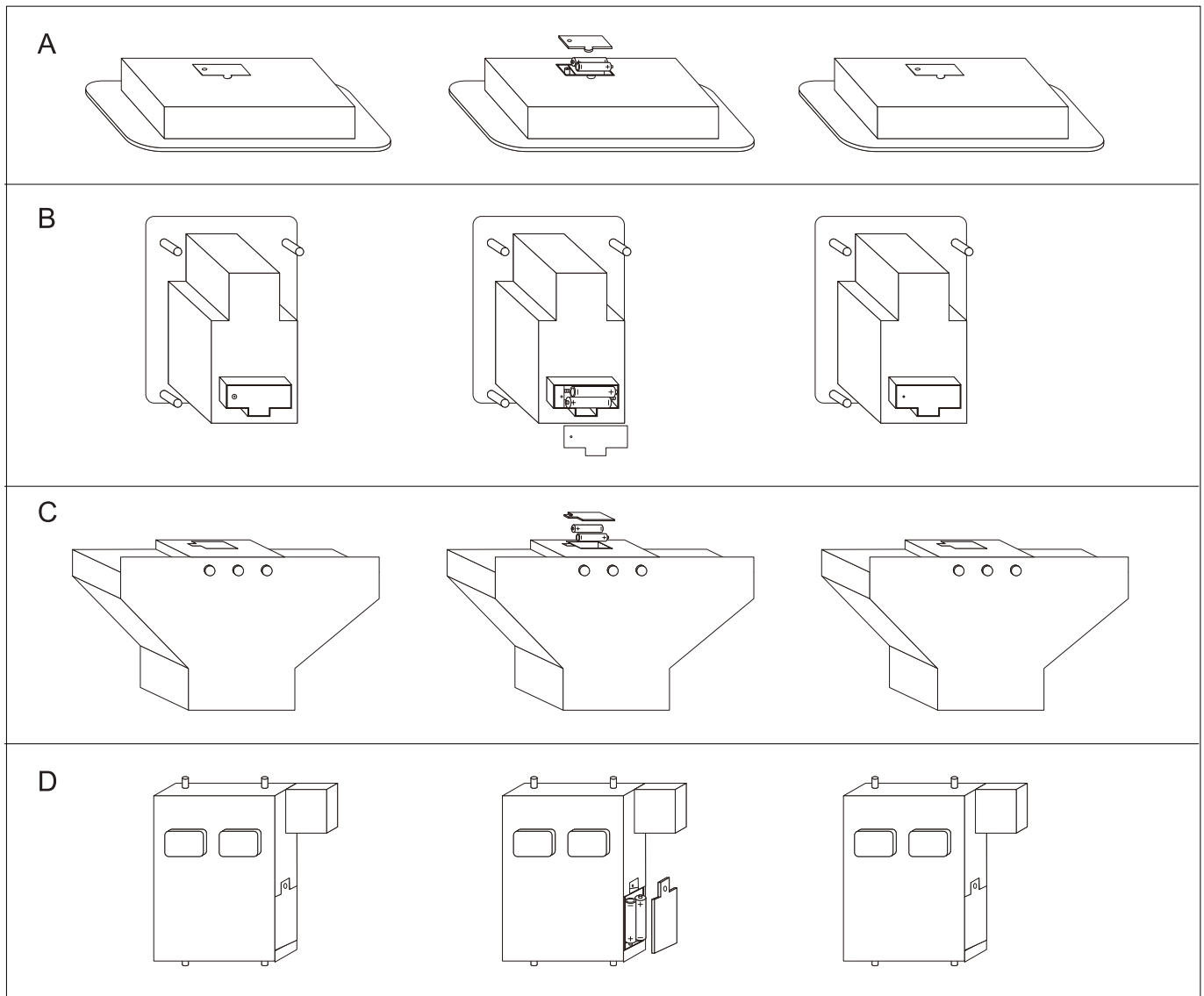
416-792-6088



customerservice@aosom.ca

Imported by Aosom Canada Inc.  
7270 Woodbine Avenue, Unit 307, Markham, Ontario Canada  
L3R 4B9  
MADE IN CHINA

Importé par Aosom Canada Inc.  
7270 Woodbine Avenue, unité 307, Markham, Ontario Canada  
L3R 4B9  
FABRIQUÉ EN CHINE

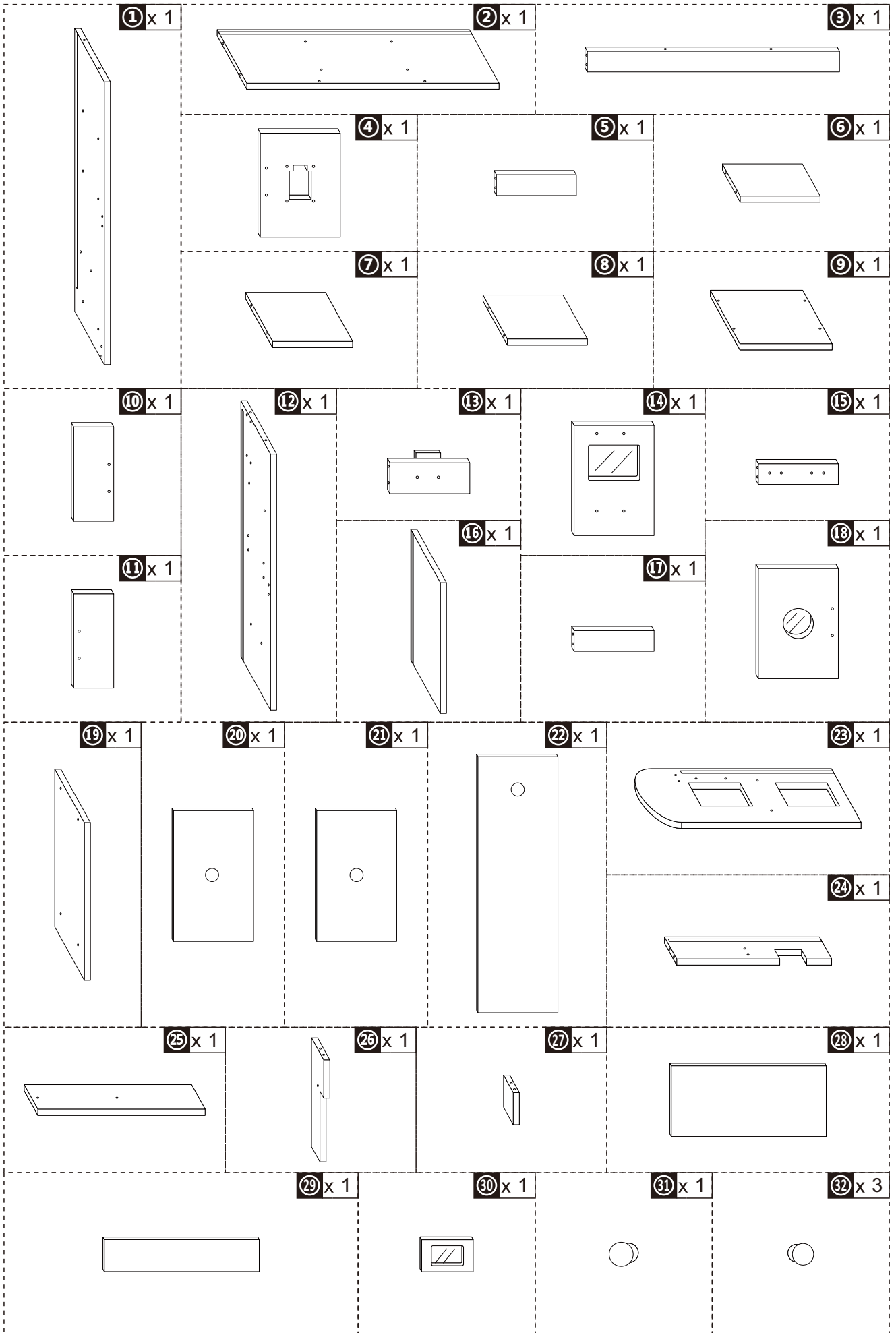


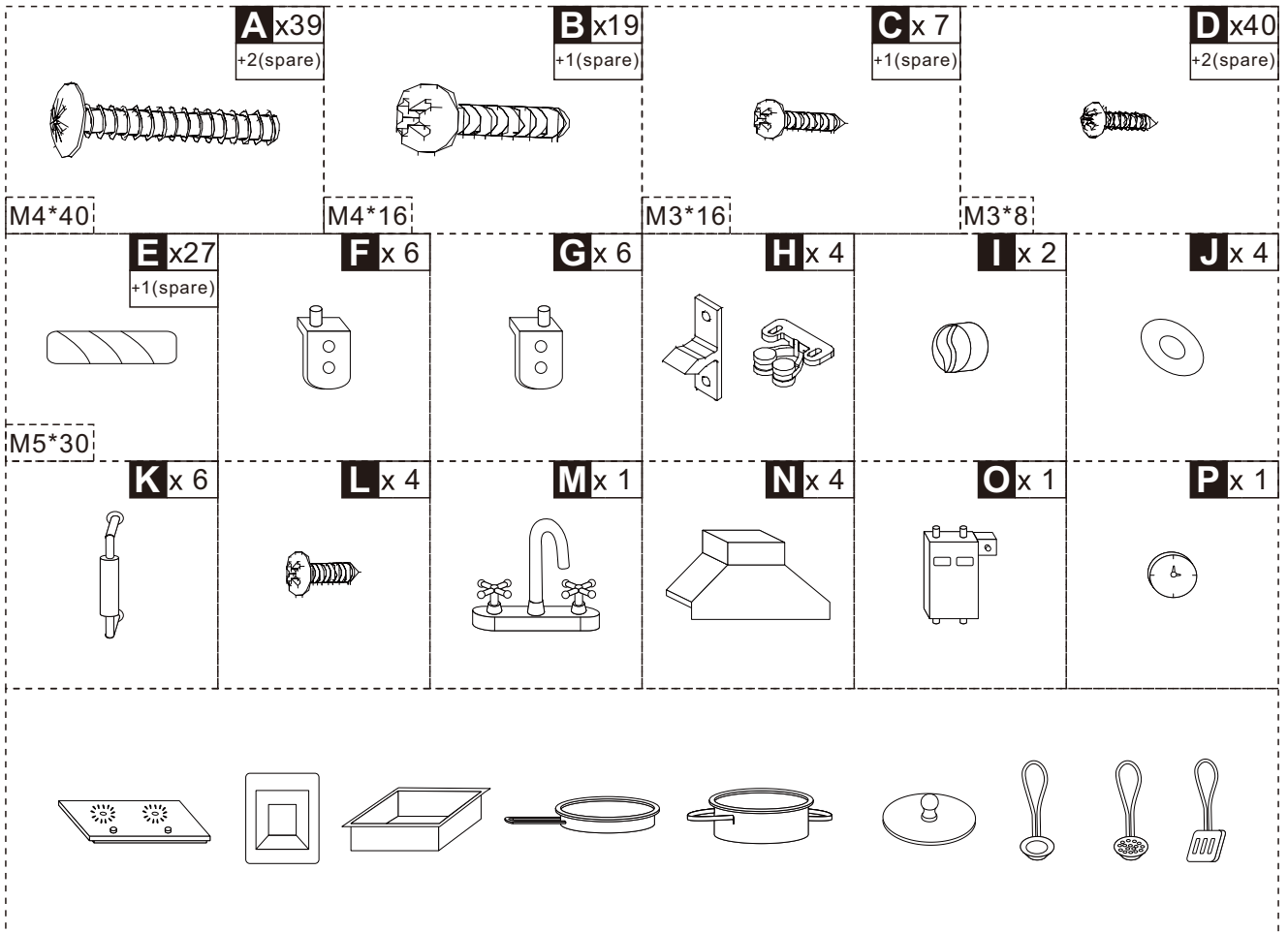
**EN**

**ATTENTION:**

- A. Use Phillips screwdriver to open the lid of cooking bench, put a pair of AAA batteries in the groove, positive to positive, negative to negative, then close the lid of cooking bench, lock it with screwdriver.
- B. Use Phillips screwdriver to open the lid of water dispenser, put a pair of AAA batteries in the groove, positive to positive, negative to negative, then close the lid of water dispenser, lock it with screwdriver.
- C. Use Phillips screwdriver to open the lid of kitchen ventilator, put a pair of AAA batteries in the groove, positive to positive, negative to negative, then close the lid of kitchen ventilator, lock it with screwdriver.
- D. Use Phillips screwdriver to open the lid of microwave oven, put a pair of AAA batteries in the groove, positive to positive, negative to negative, then close the lid of microwave oven, lock it with screwdriver.

- Non-rechargeable batteries are not to be recharged;
- Different types of batteries or new and used batteries are not to be mixed;
- Batteries are to be inserted with the correct polarity (+ and -);
- Exhausted batteries are to be removed from the toy;
- The supply terminals are not to be short-circuited.
- Do not mix alkaline, standard(carbon-zinc) or rechargeable (nickel-cadmium) batteries.
- Do not mix old and new batteries.



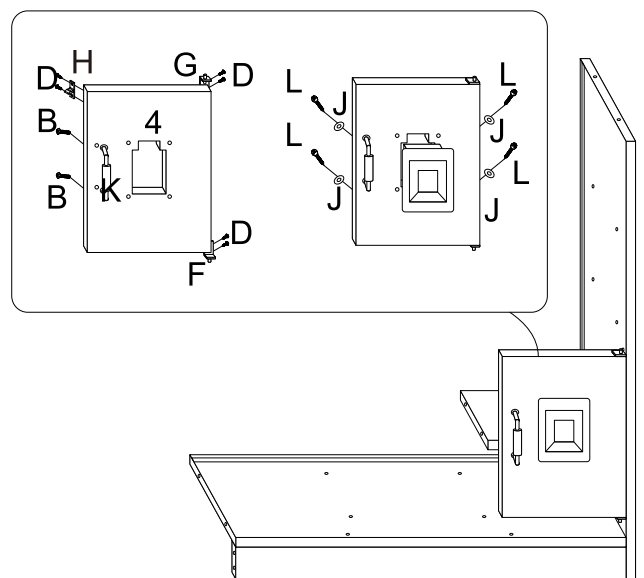
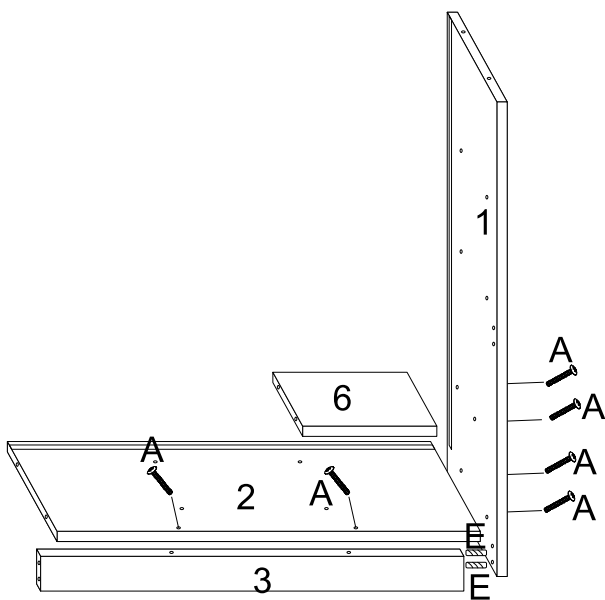


A\*6  
E\*2

**01**

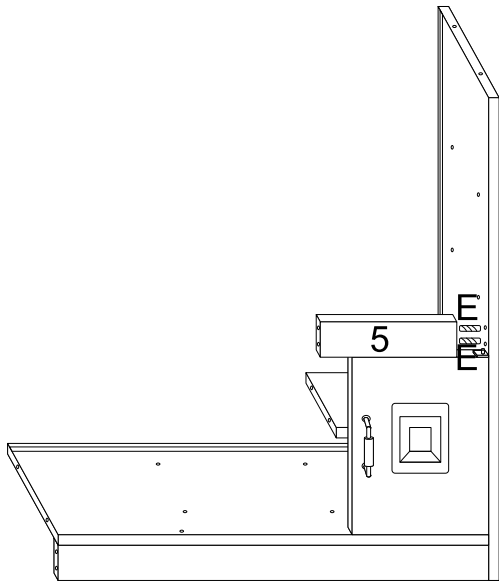
B\*2 H\*1  
D\*6 K\*1  
F\*1 L\*4  
G\*1 J\*4

**02**



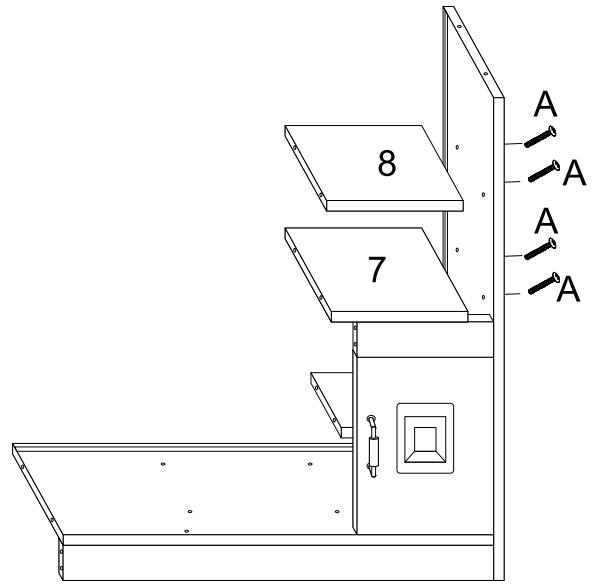
E\*2

03



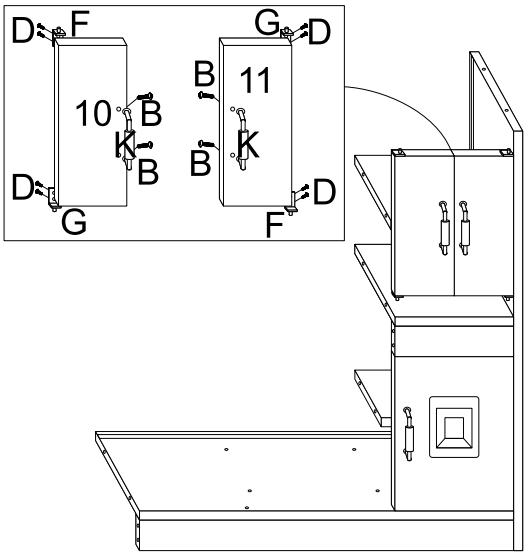
A\*4

04



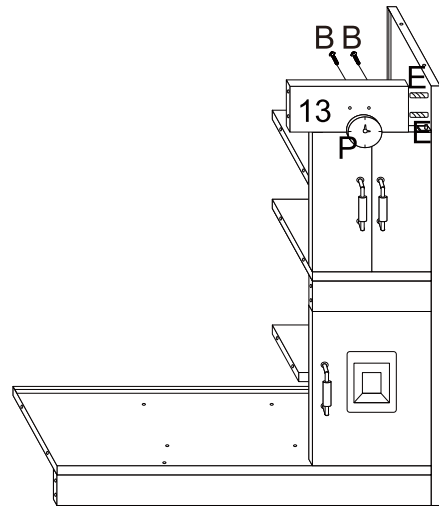
B\*4  
D\*8  
F\*2  
G\*2  
K\*2

05



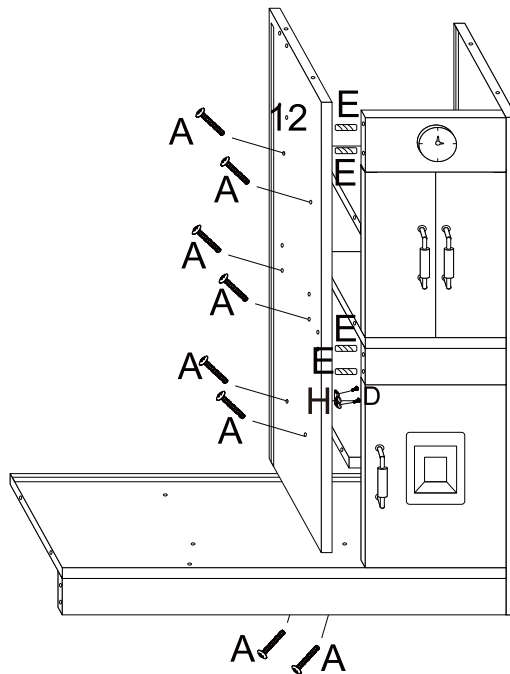
E\*2  
B\*2  
Q\*1

06

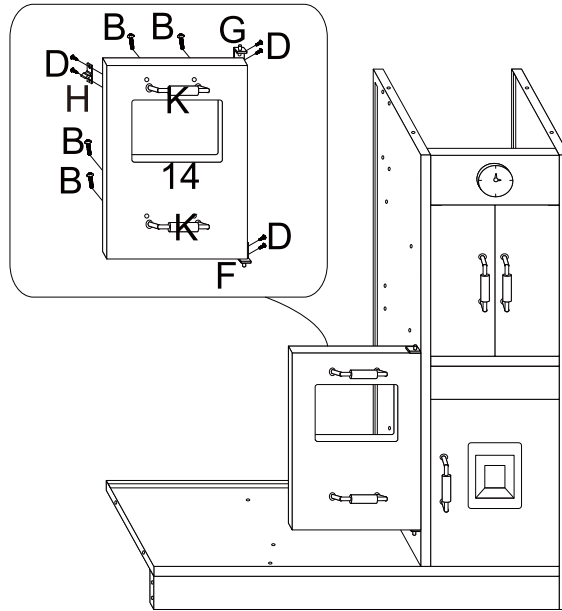


A\*8  
D\*2  
E\*4  
H\*1

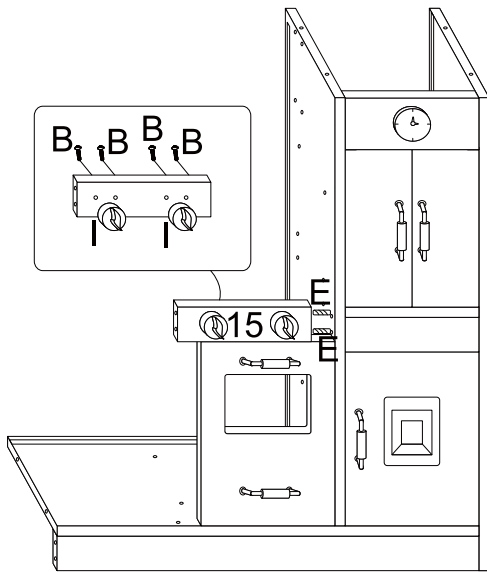
07



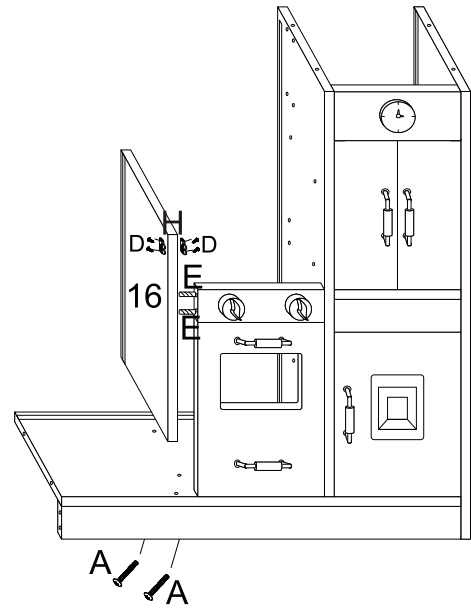
B\*4  
D\*6  
F\*1  
G\*1  
H\*1  
K\*2



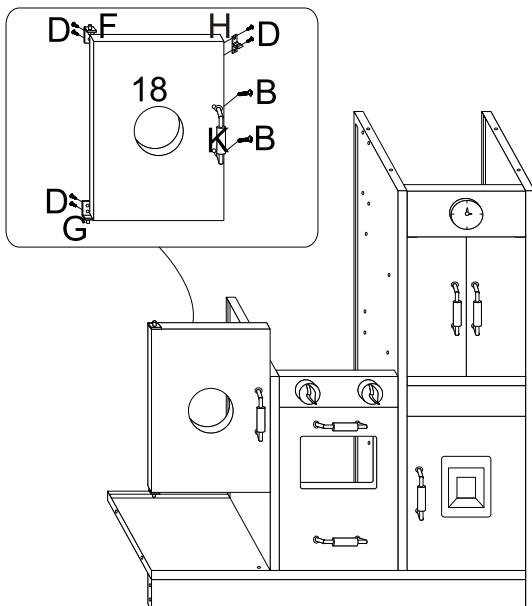
B\*4  
E\*2  
I\*2



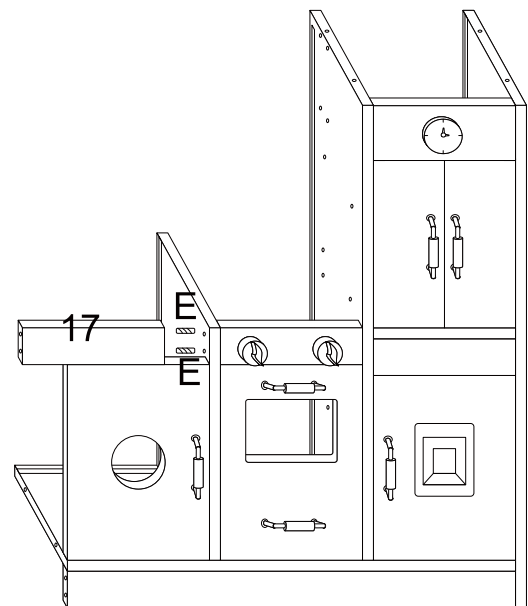
A\*2  
D\*4  
E\*2  
H\*2

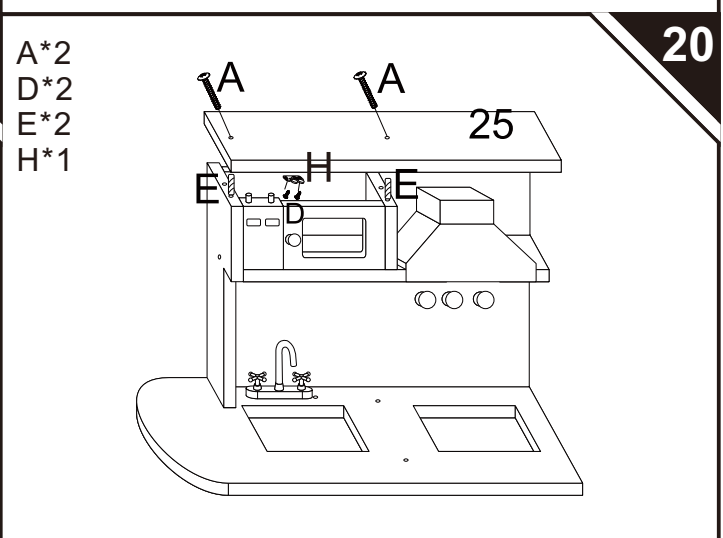
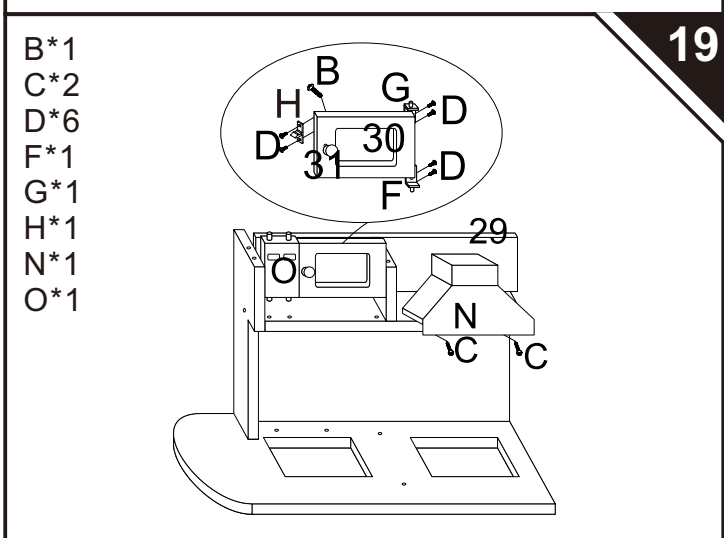
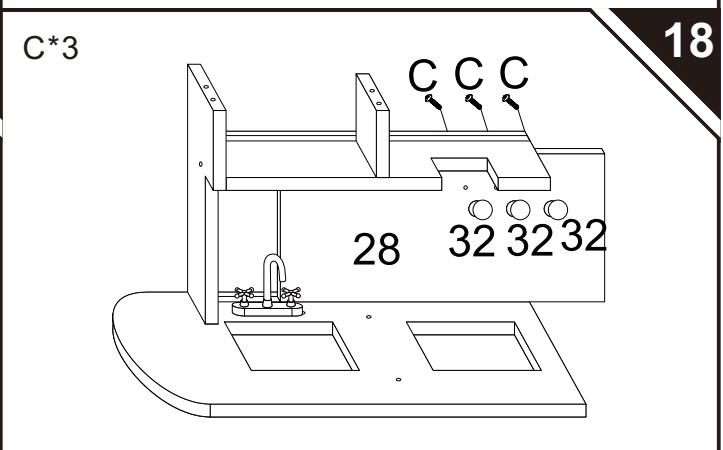
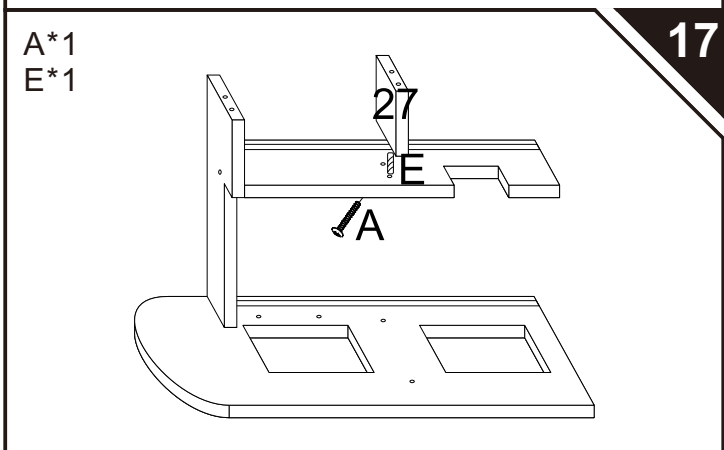
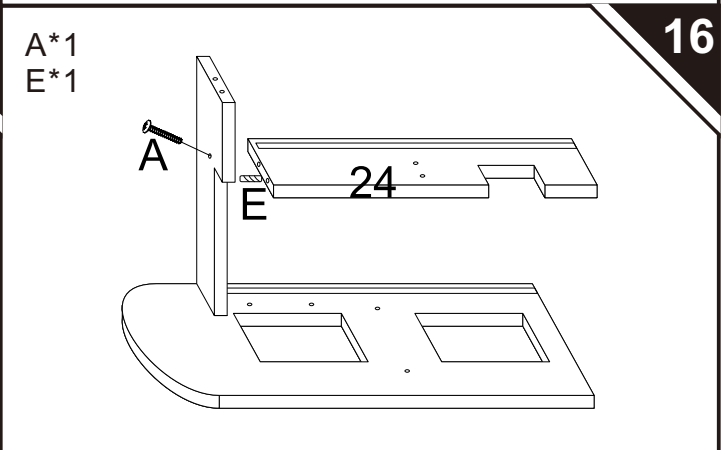
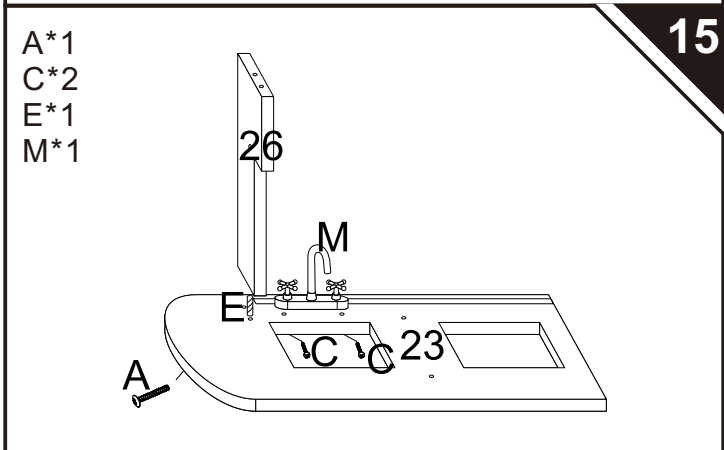
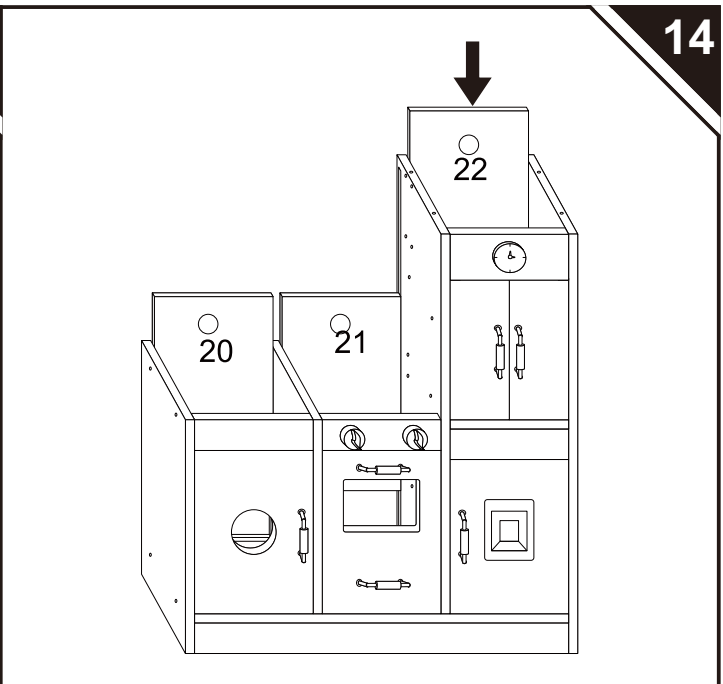
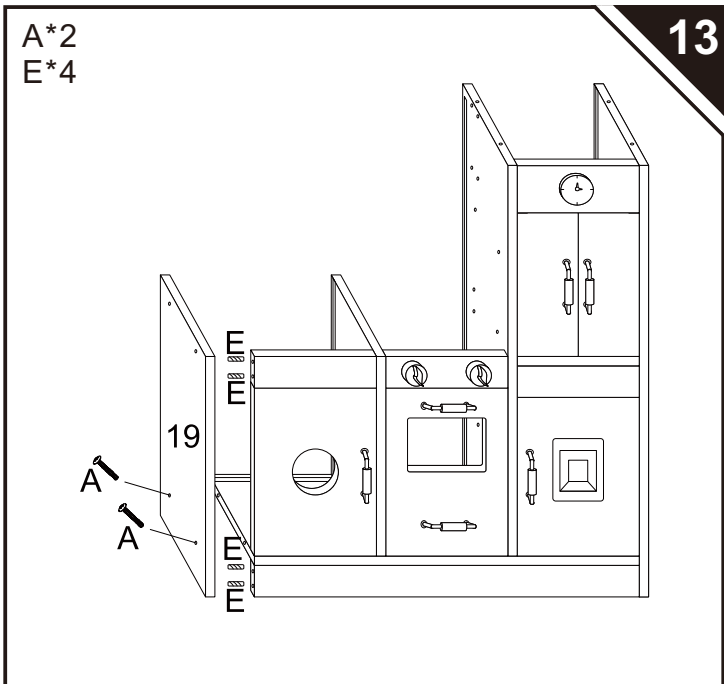


B\*2  
D\*6  
F\*1  
G\*1  
H\*1  
K\*1



E\*2



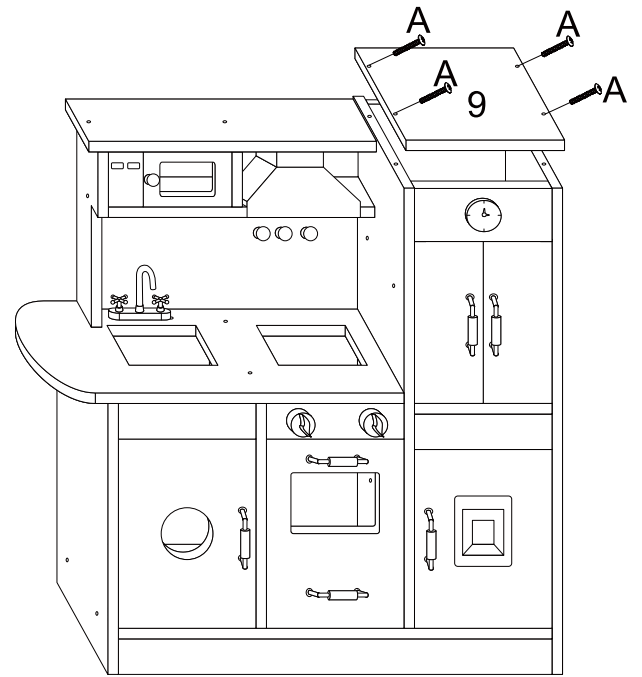
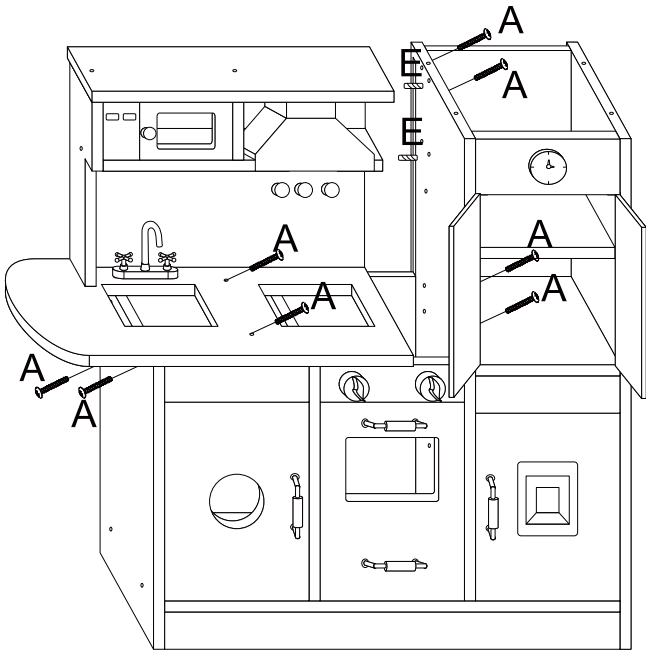




A\*8  
E\*2

21 A\*4

22



23

