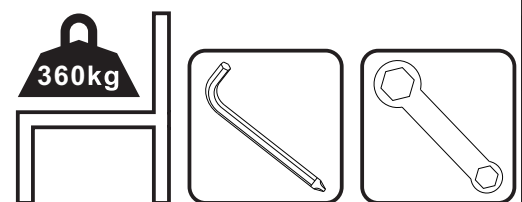
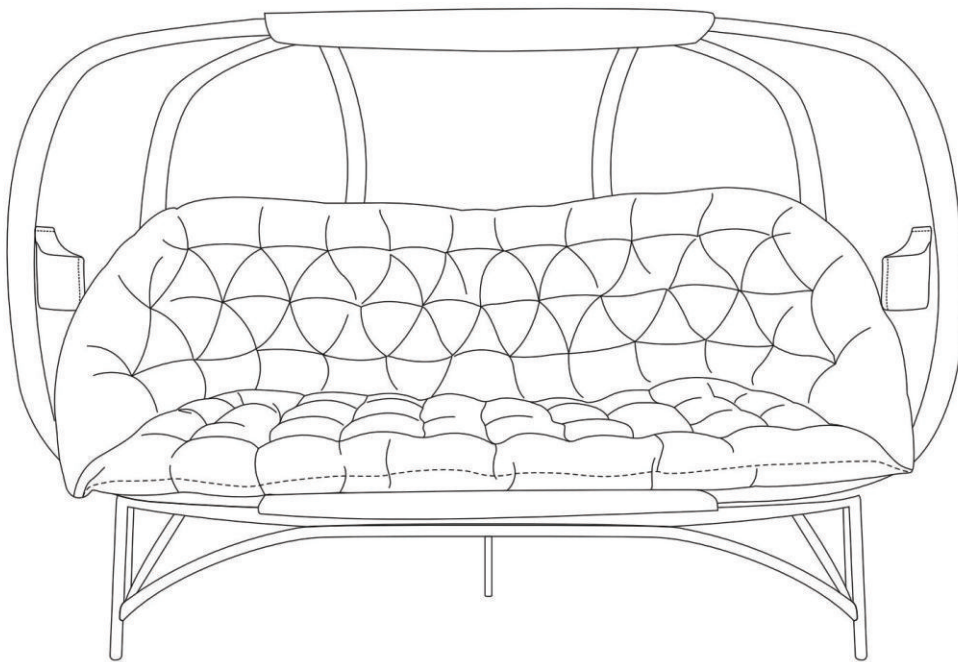




IN221100551V01_UK

84G-056V70



Tools Recommended

EN_IMPORTANT, RETAIN FOR FUTURE REFERENCE: READ CAREFULLY.

FR_IMPORTANT: A LIRE ATTENTIVEMENT ET À CONSERVER POUR CONSULTATION ULTÉRIEURE.

ES_IMPORTANTE, LEA Y GUARDE PARA FUTURAS REFERENCIAS.

PT_IMPORTANTE, RETER PARA REFERÊNCIA FUTURA: LEIA ATENTAMENTE.

DE_WICHTIG! SORGFÄLTIG LESEN UND FÜR SPÄTER NACHSCHLAGEN AUFBEWAHREN.

IT_IMPORTANTE! CONSERVARE IL PRESENTE MANUALE PER FUTURO RIFERIMENTO E LEGGERLO ATTENTAMENTE.

EN

Dear customer,

Thank you for purchasing this product. So that your appliance serves you well, please read all the instructions in this user's manual. If you have any questions, please contact our customer care center, Our contact details are below:

FR

Cher client,

Nous vous remercions d'avoir acheté ce produit. Afin que vous puissiez profiter pleinement de votre appareil, veuillez lire toutes les instructions de ce manuel d'utilisation. Si vous avez la moindre question, veuillez contacter notre centre d'assistance à la clientèle, Nos coordonnées sont les suivantes:

DE

Sehr geehrter Kunde,

Vielen Dank, dass Sie dieses Produkt erworben haben. Damit Ihr Gerät Ihnen gute Dienste leistet, lesen Sie bitte alle Hinweise in diesem Benutzerhandbuch. Wenn Sie Fragen haben, wenden Sie sich bitte an unser Kundendienstzentrum, Unsere Kontaktdaten stehen unten:

ES

Queridos clientes,

Gracias por comprar este producto. Para que su electrodoméstico le sirva mejor, lea todas las instrucciones de este manual del usuario. Si tiene alguna pregunta, comuníquese con nuestro Centro de Atención al Cliente, Nuestros datos de contacto son los siguientes:

PT

Caros clientes,

Obrigado por adquirir este produto. Para que o seu aparelho o sirva melhor, leia todas as instruções deste manual do utilizador. Se tiver alguma dúvida, por favor contacte o nosso Centro de Atendimento ao Cliente, Os nossos dados de contacto são os seguintes:

IT

Caro Cliente,

Grazie per aver acquistato questo prodotto. Per servirti meglio con questo apparecchio ti prego di leggere tutte le istruzioni in presente manuale utente. In caso di dubbio, si prega di contattare il nostro centro assistenza clienti, I nostri dettagli di contatto sono di seguito:

Country	 Phone	 Email
US	001-877-644-9366	customerservice@aosom.com
CA	416-792-6088	customerservice@aosom.ca
UK	0044-800-240-4004	enquiries@mhstar.co.uk
DE	0049-0(40)-88307530	service@aosom.de
FR	0033-1-84166106	aosom@mhfrance.fr
ES	0034-931294512	atencioncliente@aosom.es
PT	0034-931294512	info@aosom.pt
IT	0039-0249471447	clienti@aosom.it

IMPORTANT, RETAIN FOR FUTURE REFERENCE: READ CAREFULLY.

Only for domestic use

Use tips:

- *Put the chair stably on a flat floor.
- *Mount the garden chairs in the shelter of the weather.
- *Stay away from open flames.
- *Don't hang anything in the structure.
- *Avoid the overload at the anchors/structure.
- *It is advised that don't stay on the chairs when there is a storm.
- *Do not use in adverse weather condition and cover furniture when not in use.

Precautions before assembly:

- *Prepare a clean and dry mounting area.
- *Verify that the product is not damaged.
- *Check that none of the pieces are missing.

Maintenance:

- *Clean with a soft fabric.
- *Regularly remove leaves and / or water collected on the canvas.
- *Check the chair regularly.

Storage conditions:

- *The fabric should be stored completely dry, in a clean and dry place to avoid the risks of mold.

Maintenance:

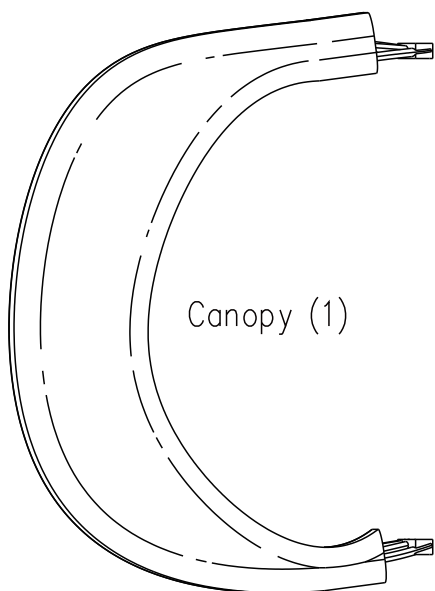
- *Don't use this product if the seat cloths, cloth cushion or tarpaulins are ageing, and contact our customer service.

Caution with the risks of pinching or cuts during assembly.

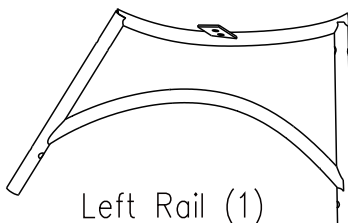
The manufacturer declines all responsibility in case of damages due to a bad installation or due to weather.

PARTS LIST (cont.)

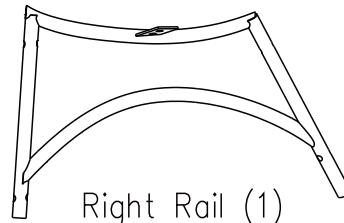
Be sure to check that all parts of the chair have been shipped below:



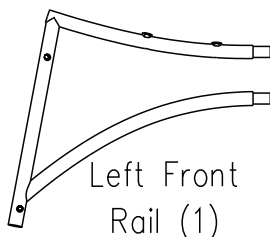
Canopy (1)



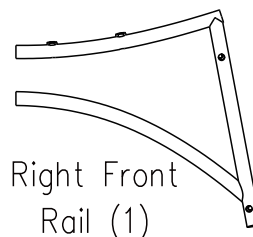
Left Rail (1)



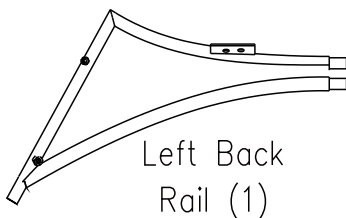
Right Rail (1)



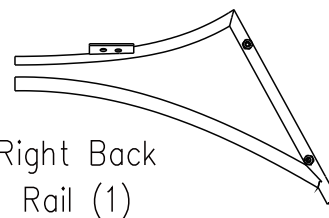
Left Front Rail (1)



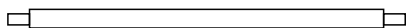
Right Front Rail (1)



Left Back Rail (1)



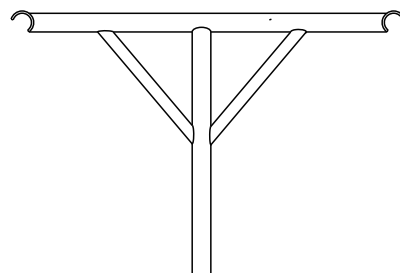
Right Back Rail (1)



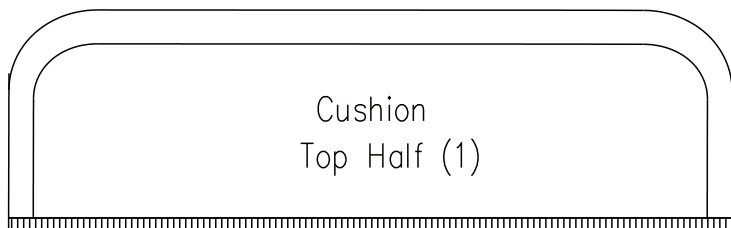
Rail Extension (2)



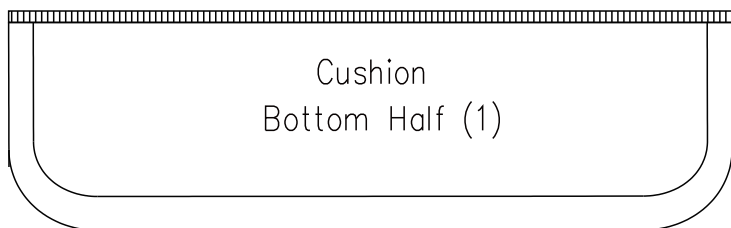
Canopy Support (2)



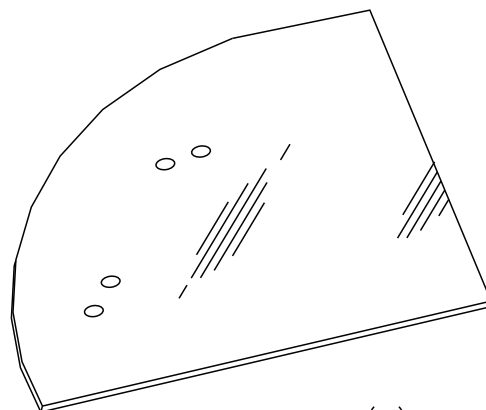
Base Support (1)



Cushion
Top Half (1)



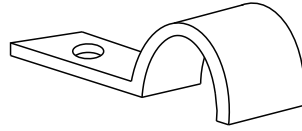
Cushion
Bottom Half (1)



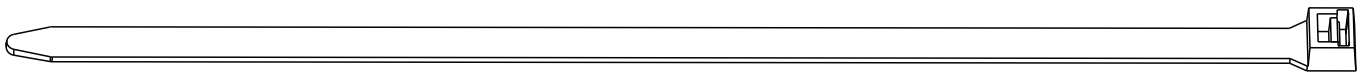
Base Panel (2)

PARTS LIST (cont.)

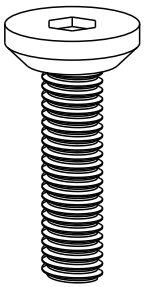
Be sure to check that all parts of the chair have been shipped below:



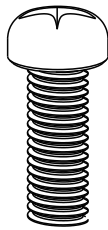
Bottom Clip (2)



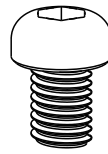
Zip Ties (4)



6mm x 35mm
Bolt (8)



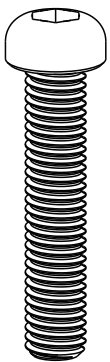
5mm x 20mm
Screw (6)



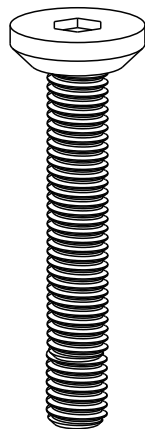
6mm x 10mm
Bolt (2)



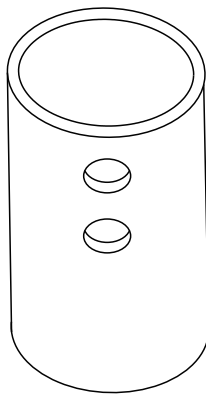
Nut (20)



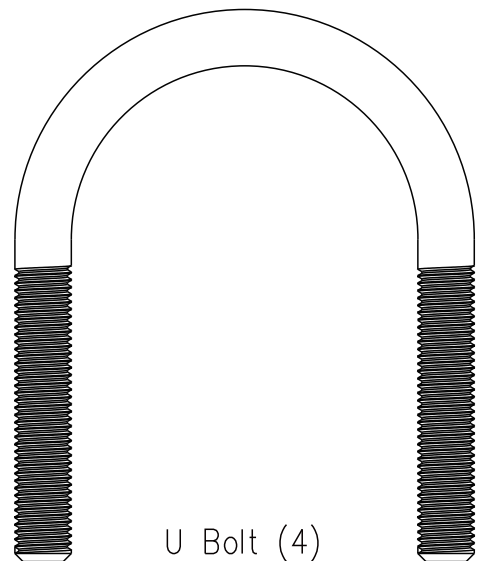
6mm x 40mm
Bolt (8)



6mm x 55mm
Bolt (2)



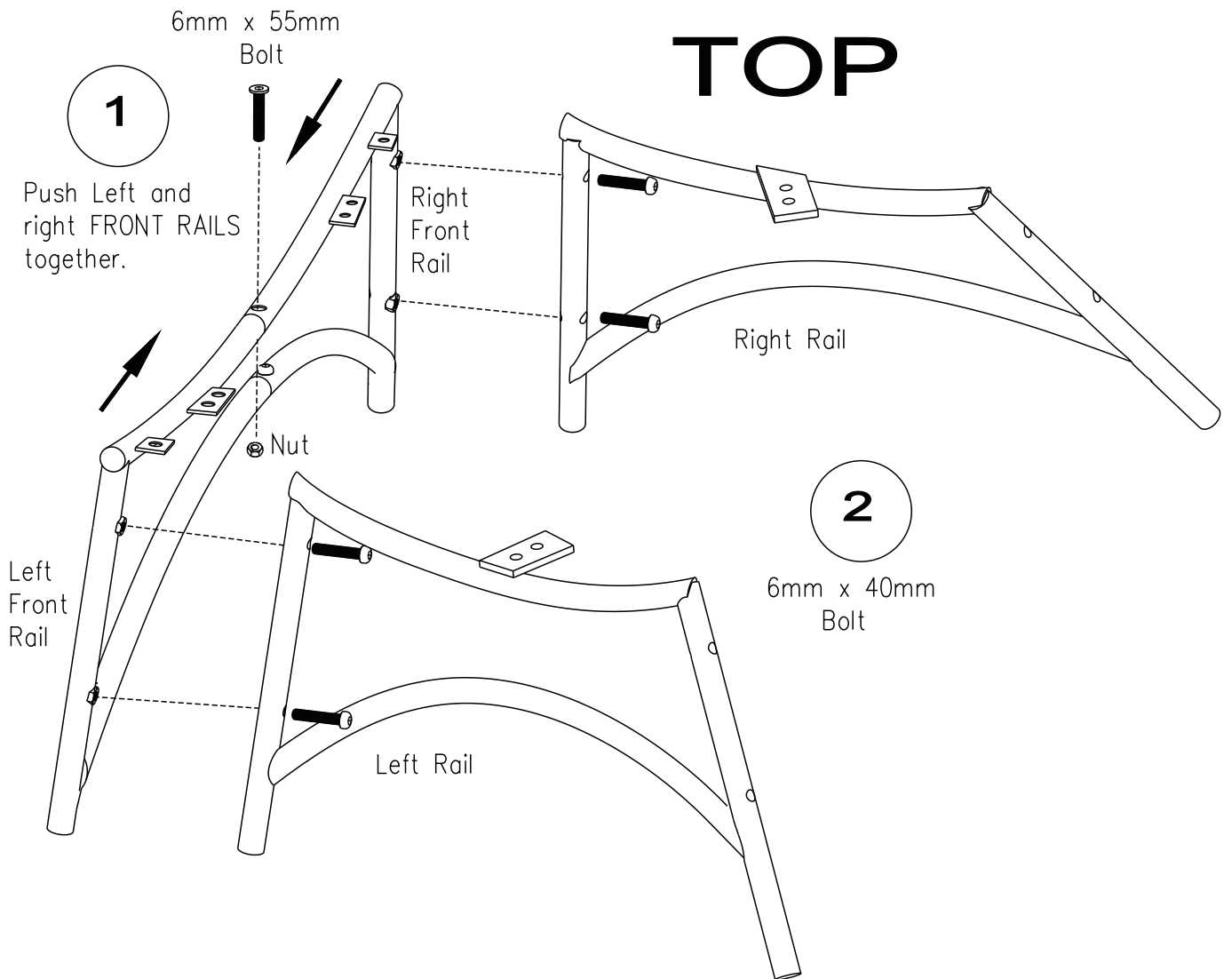
End Cap (4)



U Bolt (4)

ASSEMBLY

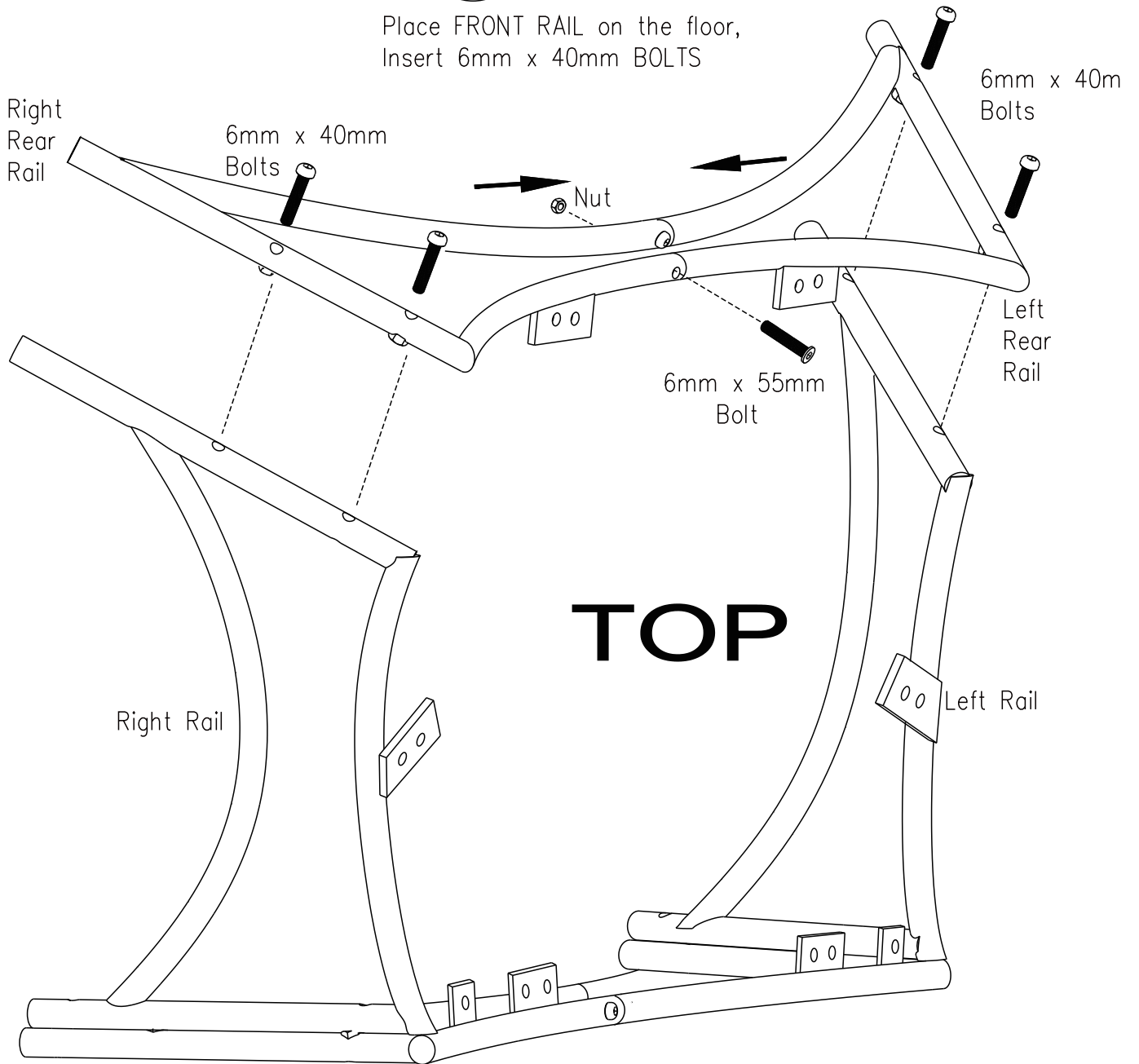
Use the crescent wrench to hold the nuts and the hex wrench to turn the bolts.



ASSEMBLY (cont.)

3

Place FRONT RAIL on the floor,
Insert 6mm x 40mm BOLTS

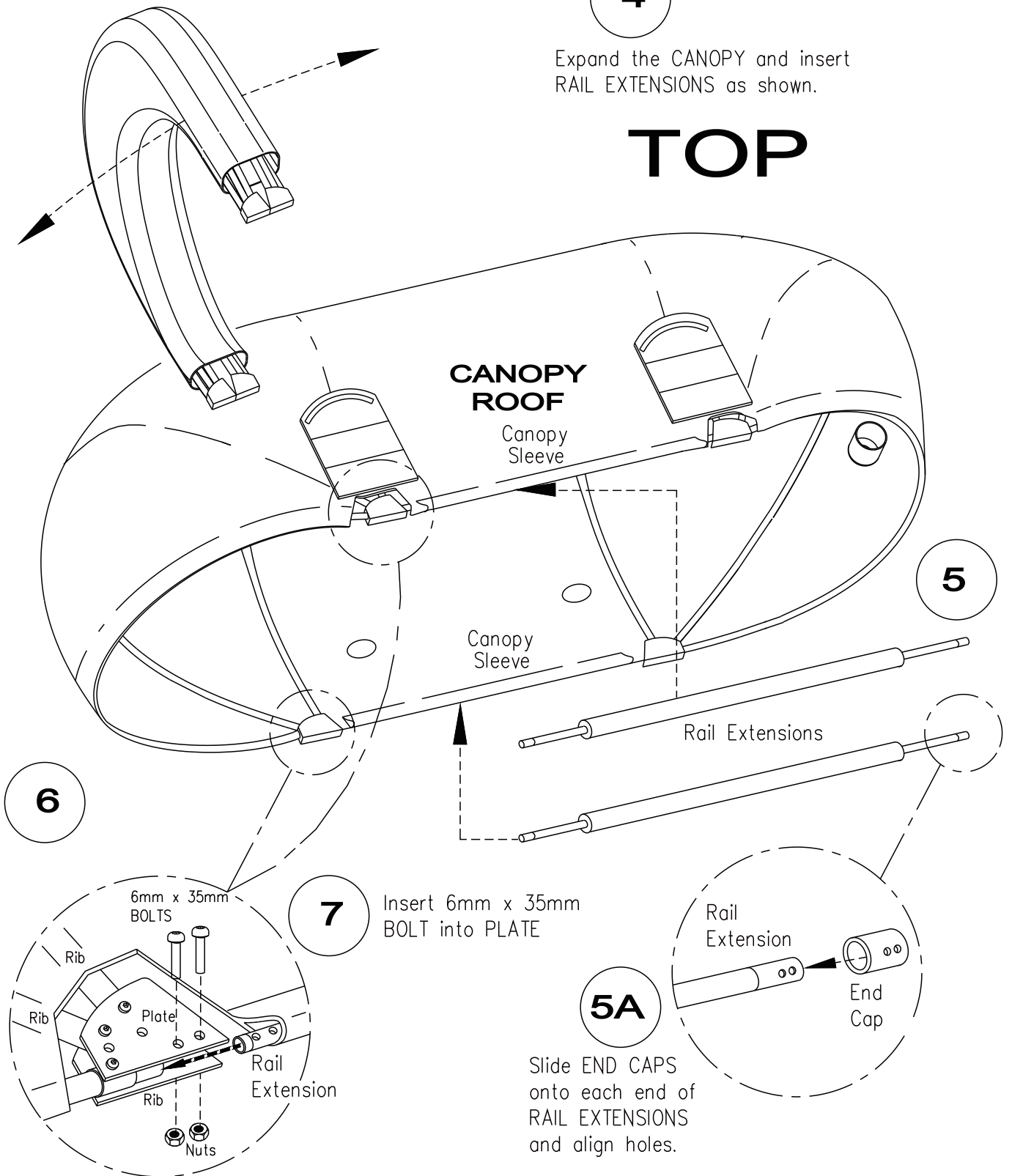


ASSEMBLY (cont.)

4

Expand the CANOPY and insert RAIL EXTENSIONS as shown.

TOP



5

6

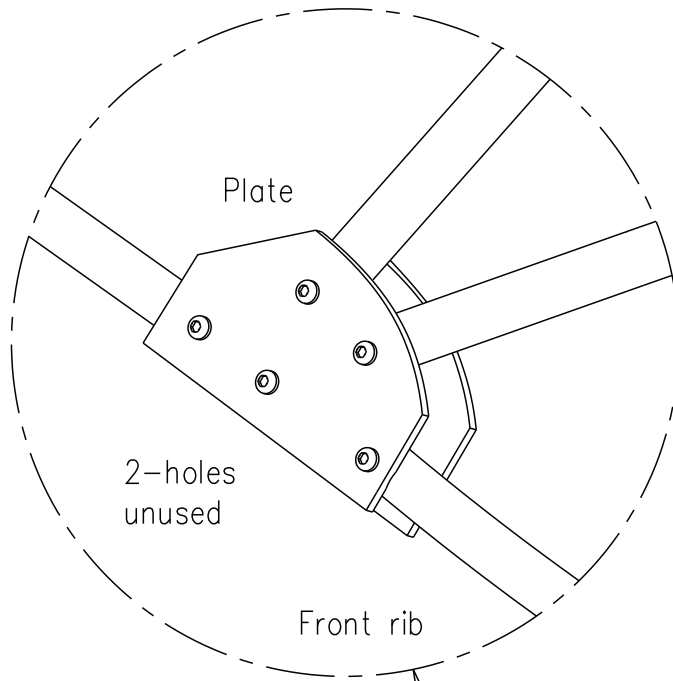
7

5A

Insert 6mm x 35mm BOLT into PLATE

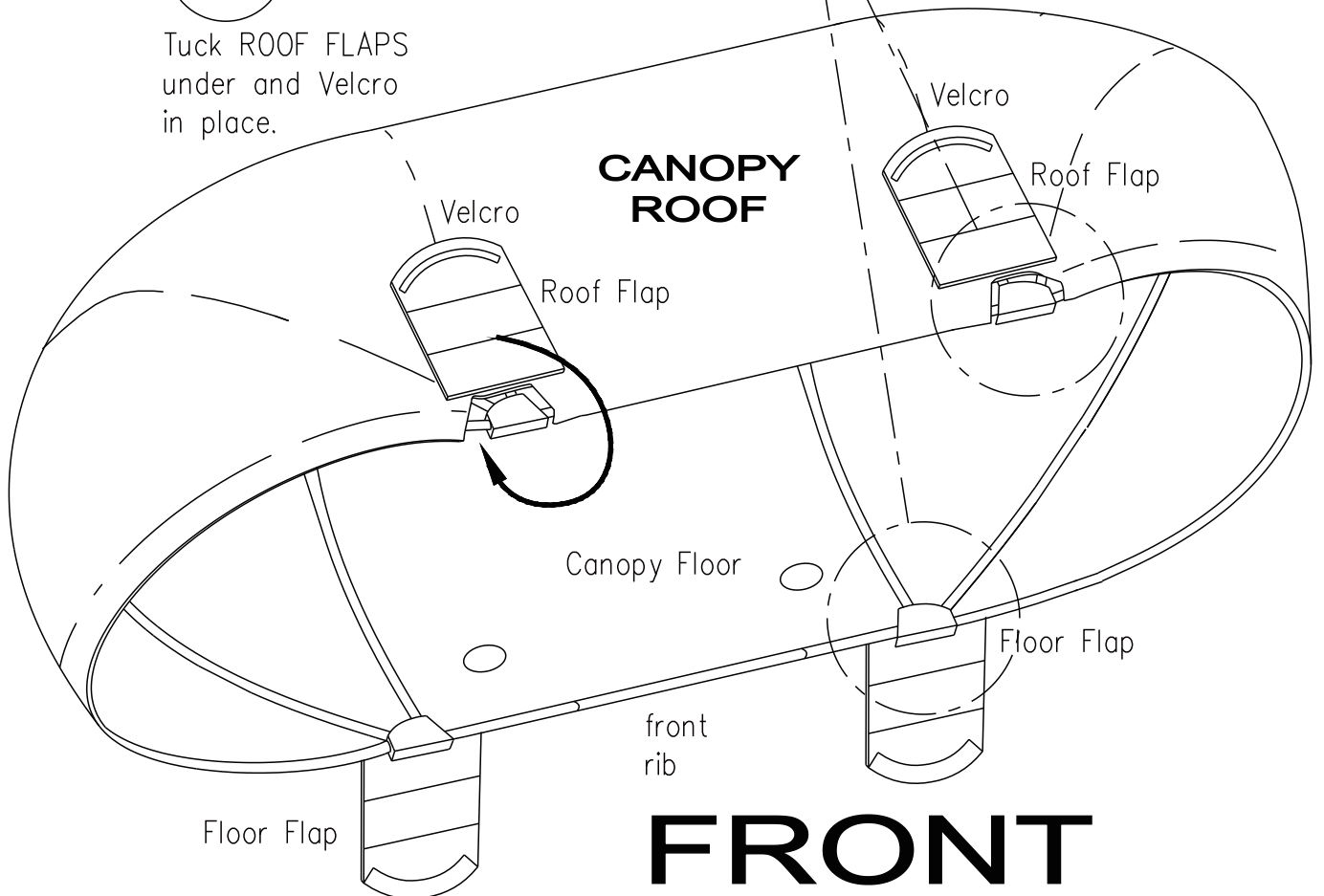
Slide END CAPS onto each end of RAIL EXTENSIONS and align holes.

ASSEMBLY (cont.)



8

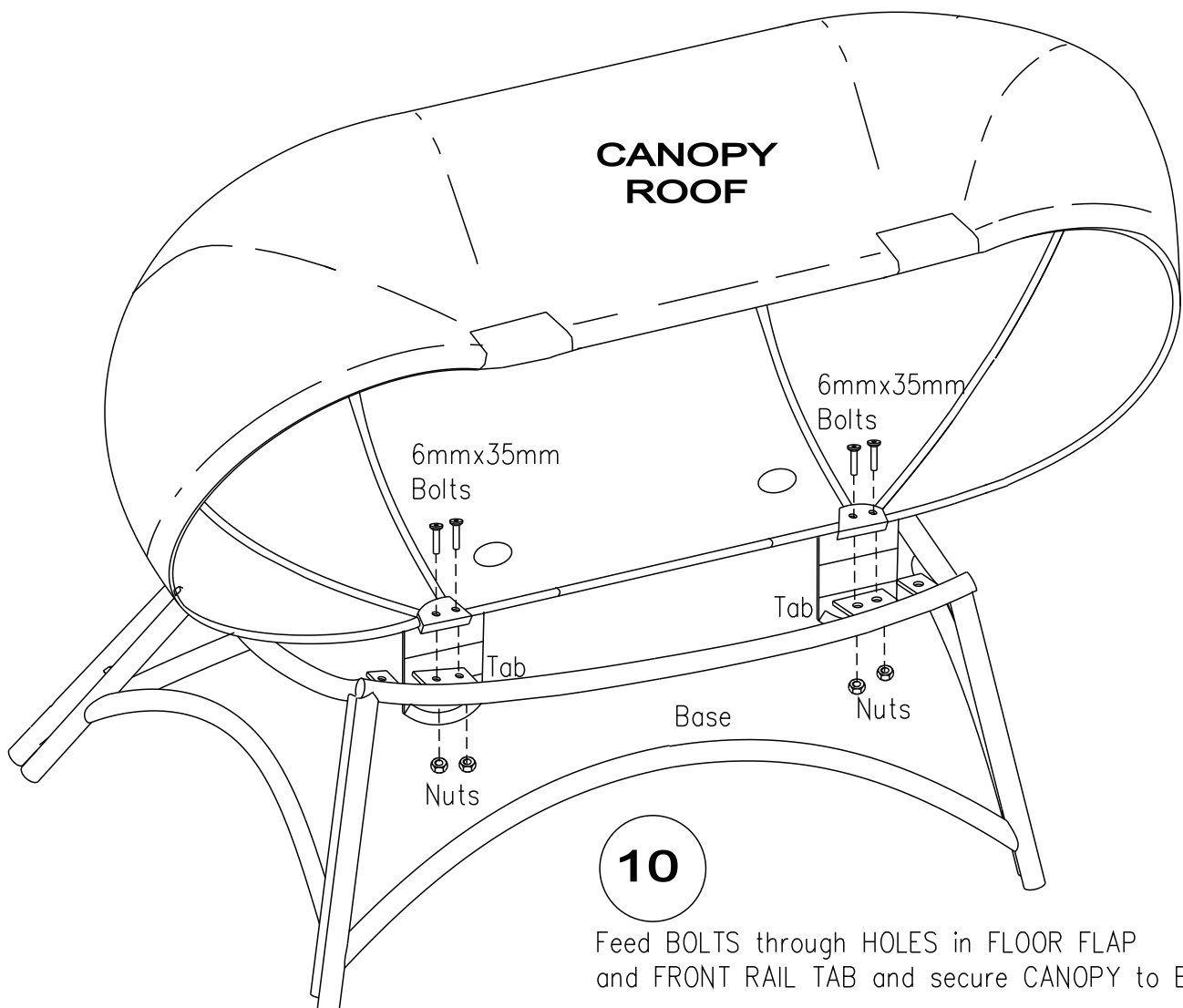
Tuck ROOF FLAPS under and Velcro in place.



ASSEMBLY (cont.)

9

BOLTS and NUTS are pre-installed loosely in PLATE. Remove NUTS and secure PLATES to the BASE to the TABS using Bolts and Nuts. FLOOR FLAP goes between CANOPY and FRAME



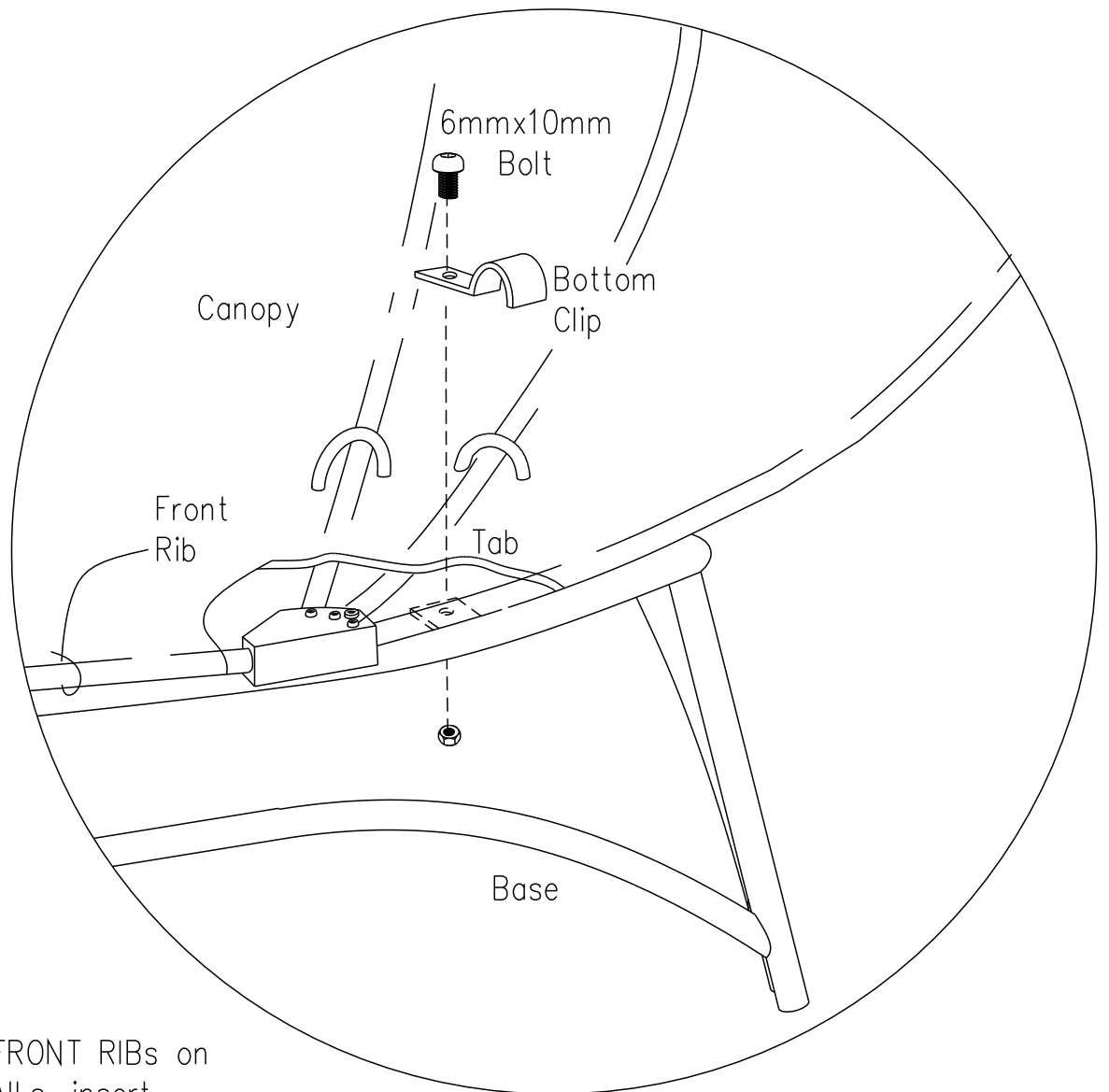
10

Feed BOLTS through HOLES in FLOOR FLAP and FRONT RAIL TAB and secure CANOPY to BASE.

FRONT

ASSEMBLY (cont.)

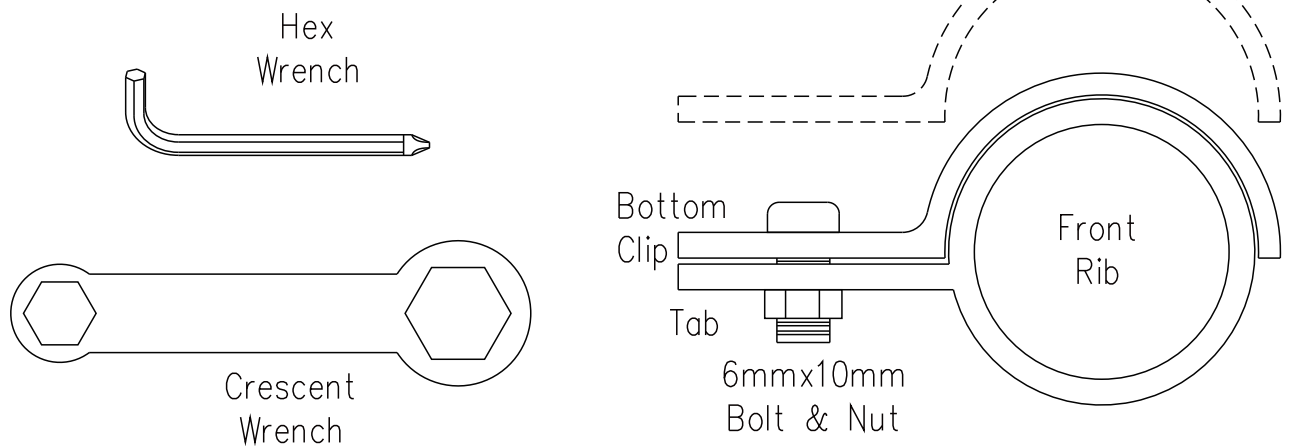
Secure the CANOPY to the BASE using the CLIPS.



11

Position FRONT RIBS on FRONT RAILS, insert SMALL BOLTS into CLIPS and screw into TABS.

FRONT



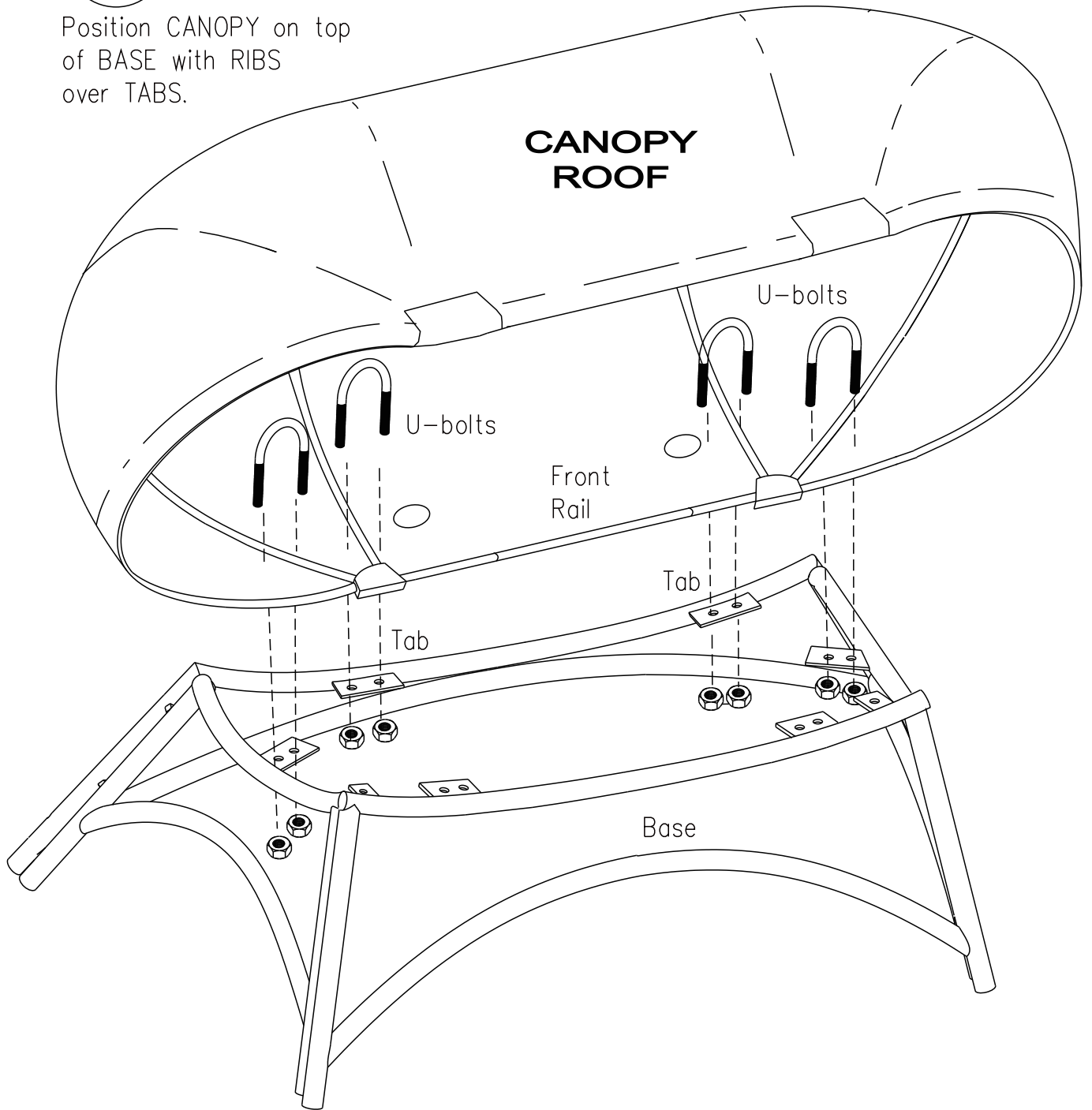
ASSEMBLY (cont.)

12

Position CANOPY on top of BASE with RIBS over TABS.

13

Secure CANOPY to BASE with U-BOLTS and NUTS into the TABS.



FRONT

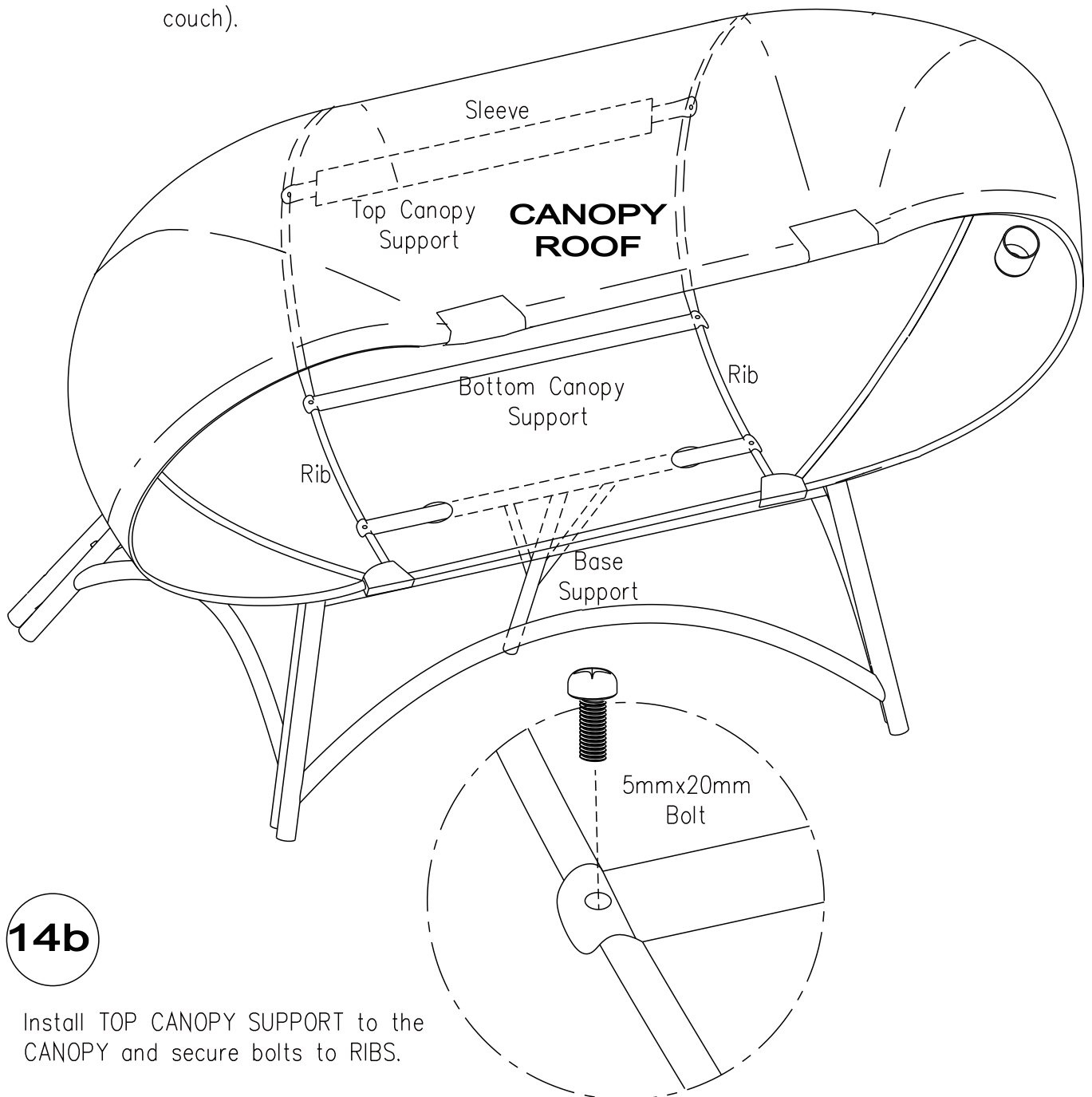
ASSEMBLY (cont.)

14

Insert **BASE SUPPORT** through holes in the **CANOPY** and secure with bolts to **RIBS** (ensure the **BASE SUPPORT** is angled toward the rear of couch).

14a

Insert **BOTTOM SUPPORT** through the **SLEEVE** in the **CANOPY** and secure with bolts to **RIBS**.



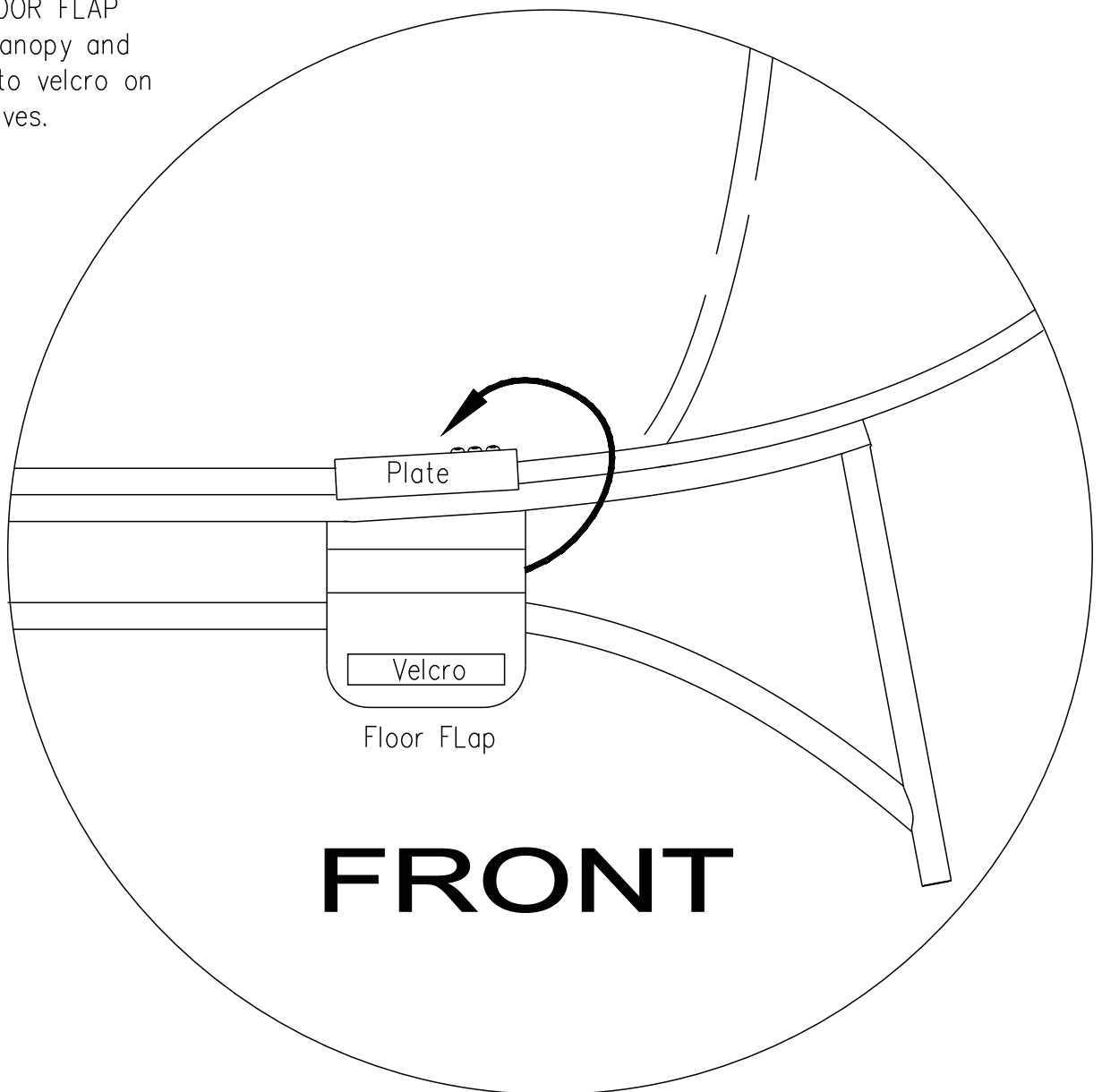
14b

Install **TOP CANOPY SUPPORT** to the **CANOPY** and secure bolts to **RIBS**.

ASSEMBLY (cont.)

15

Fold FLOOR FLAP
inside canopy and
attach to velcro on
RIB sleeves.

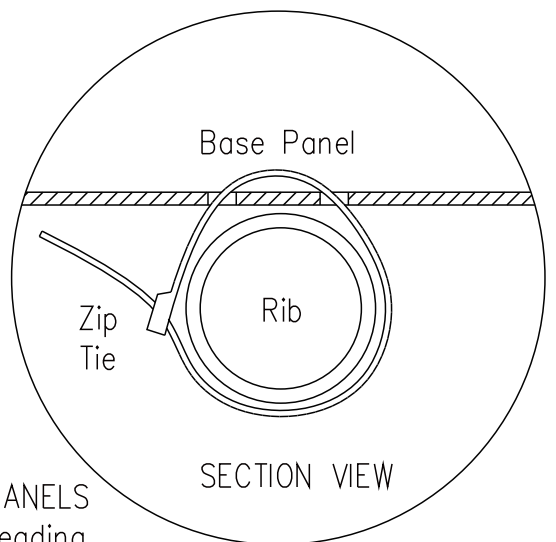
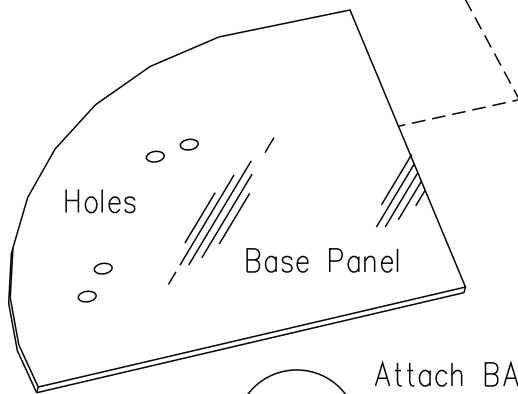
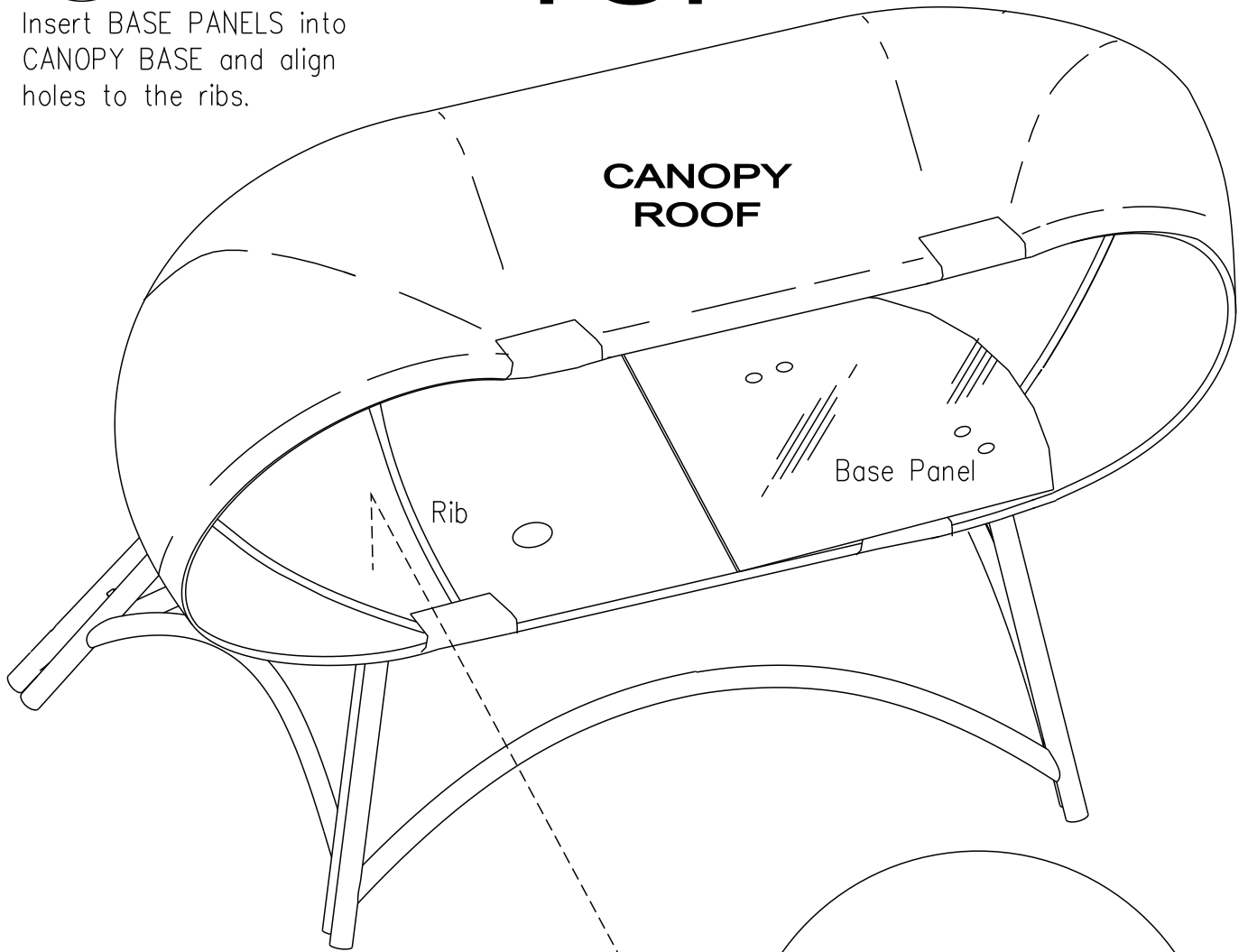


ASSEMBLY (cont.)

16

Insert BASE PANELS into CANOPY BASE and align holes to the ribs.

TOP



17

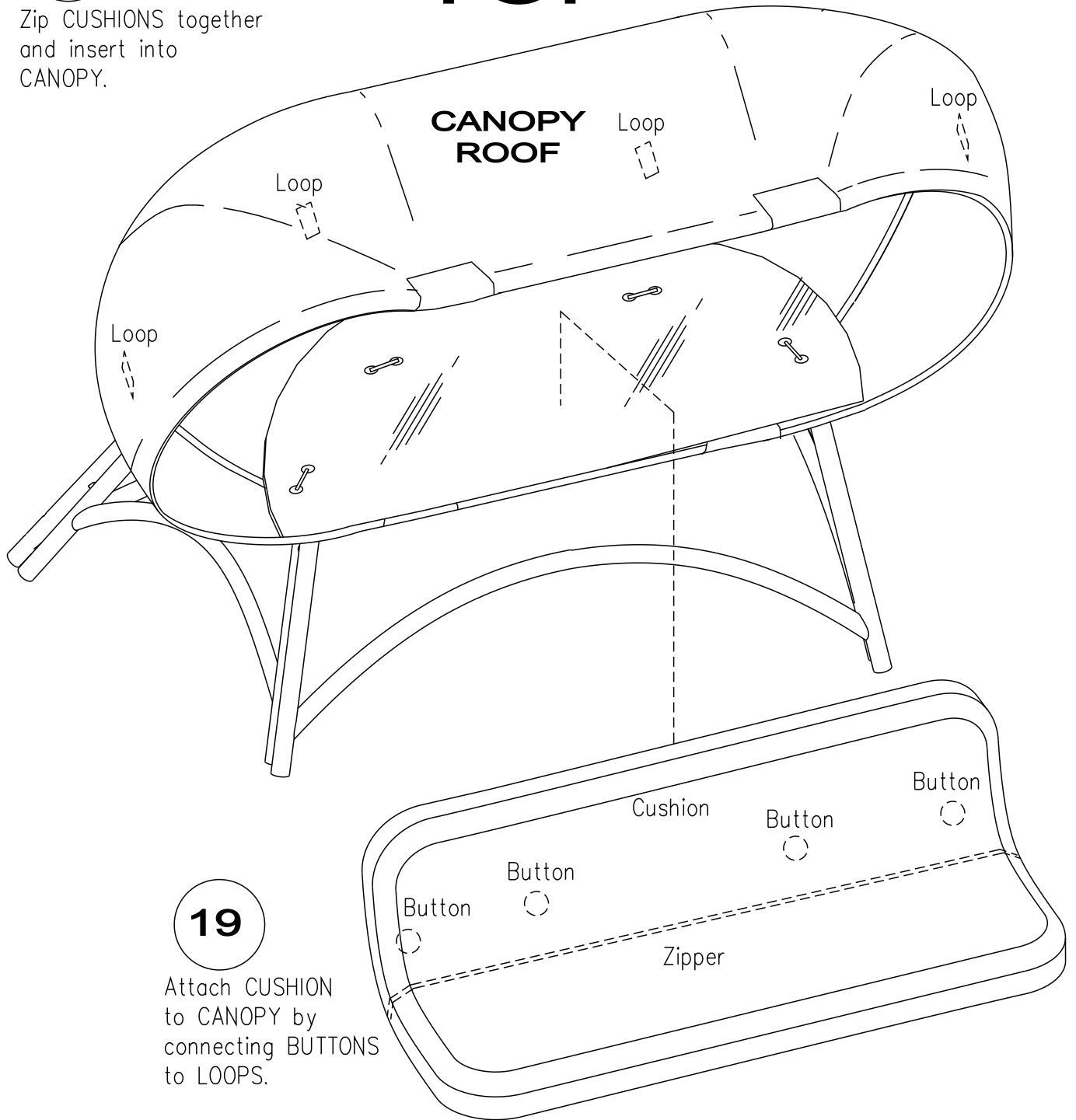
Attach BASE PANELS to RIBS by threading ZIP TIES through HOLES in BASE PANELS.

ASSEMBLY (cont.)

18

Zip CUSHIONS together and insert into CANOPY.

TOP



19

Attach CUSHION to CANOPY by connecting BUTTONS to LOOPS.

US

Imported by Aosom LLC
 27150 SW Kinsman Rd Wilsonville, OR 97070 USA
 MADE IN CHINA

CA

Imported by Aosom Canada Inc.
 7270 Woodbine Avenue, Unit 307, Markham, Ontario Canada
 L3R 4B9
 MADE IN CHINA

Importé par Aosom Canada Inc.
 7270 Woodbine Avenue, unité 307, Markham, Ontario Canada
 L3R 4B9
 Fabriqué en Chine

UK

IMPORTER ADDRESS:
 MH STAR UK LTD
 Unit 27, Perivale Park,
 Horsenden lane South
 Perivale, UB6 7RH
 MADE IN CHINA




FR

ADRESSE D'IMPORTATION:
 MH FRANCE
 2 Rue Maurice Hartmann
 92130 Issy Les Moulineaux
 France
 FABRIQUÉ EN CHINE



FR

Pensez à donner ou recycler.

 ou
  ou
 

Association Magasin Déchèterie

<https://quefairedemesdechets.fr>

ES

IMPORTADOR:
 SPANISH AOSOM, S.L.
 C/ROC GROS, Nº15.08550, ELS HOSTALET DE BALENYÀ, SPAIN.
 B66295775
 WWW.AOSOM.ES
 ATENCIONCLIENTE@AOSOM.ES
 TEL: 931294512
 HECHO EN CHINA

PT

SPANISH AOSOM, S.L
 C.ROC GROS N.15, 08550. ELS HOSTALET DE BALENYÀ
 TEL: 931294512 (SEG-SEX DAS 7:30H ÀS 16:30H)
 INFO@AOSOM.PT
 WWW.AOSOM.PT

DE

ADRESSE DES IMPORTEURE:
 MH Handel GmbH
 Wendenstraße 309
 D-20537 Hamburg
 Germany
 IN CHINA HERGESTELLT

IT

IMPORTATO DA:
 AOSOM Italy srl
 Centro Direzionale Milanofiori
 Strada 1 Palazzo F1
 20057 Assago (MI)
 P.I.: 08567220960
 FATTO IN CINA