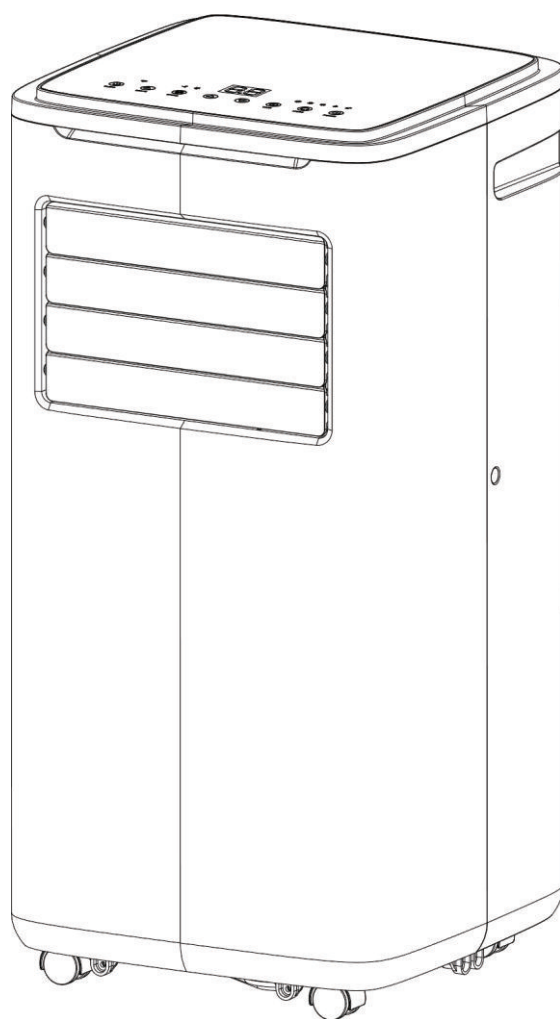




IN221200080V01_UK_ES

823-044V70_823-044V91



EN_IMPORTANT, RETAIN FOR FUTURE REFERENCE: READ CAREFULLY.

FR_IMPORTANT: A LIRE ATTENTIVEMENT ET À CONSERVER POUR CONSULTATION ULTÉRIEURE.

ES_IMPORTANTE, LEA Y GUARDE PARA FUTURAS REFERENCIAS.

PT_IMPORTANTE, RETER PARA REFERÊNCIA FUTURA: LEIA ATENTAMENTE.

DE_WICHTIG! SORGFÄLTIG LESEN UND FÜR SPÄTER NACHSCHLAGEN AUFBEWAHREN.

IT_IMPORTANTE! CONSERVARE IL PRESENTE MANUALE PER FUTURO RIFERIMENTO E LEGGERLO ATTENTAMENTE.

EN

Dear customer,

Thank you for purchasing this product. So that your appliance serves you well, please read all the instructions in this user's manual. If you have any questions, please contact our customer care center, Our contact details are below:

FR

Cher client,

Nous vous remercions d'avoir acheté ce produit. Afin que vous puissiez profiter pleinement de votre appareil, veuillez lire toutes les instructions de ce manuel d'utilisation. Si vous avez la moindre question, veuillez contacter notre centre d'assistance à la clientèle, Nos coordonnées sont les suivantes:

DE

Sehr geehrter Kunde,

Vielen Dank, dass Sie dieses Produkt erworben haben. Damit Ihr Gerät Ihnen gute Dienste leistet, lesen Sie bitte alle Hinweise in diesem Benutzerhandbuch. Wenn Sie Fragen haben, wenden Sie sich bitte an unser Kundendienstzentrum, Unsere Kontaktdaten stehen unten:

ES

Queridos clientes,

Gracias por comprar este producto. Para que su electrodoméstico le sirva mejor, lea todas las instrucciones de este manual del usuario. Si tiene alguna pregunta, comuníquese con nuestro Centro de Atención al Cliente, Nuestros datos de contacto son los siguientes:

PT



Caros clientes,

Obrigado por adquirir este produto. Para que o seu aparelho o sirva melhor, leia todas as instruções deste manual do utilizador. Se tiver alguma dúvida, por favor contacte o nosso Centro de Atendimento ao Cliente, Os nossos dados de contacto são os seguintes:

IT

Caro Cliente,

Grazie per aver acquistato questo prodotto. Per servirti meglio con questo apparecchio ti prego di leggere tutte le istruzioni in presente manuale utente. In caso di dubbio, si prega di contattare il nostro centro assistenza clienti, I nostri dettagli di contatto sono di seguito:

Country	 Phone	 Email
US	001-877-644-9366	customerservice@aosom.com
CA	416-792-6088	customerservice@aosom.ca
UK	0044-800-240-4004	enquiries@mhstar.co.uk
DE	0049-0(40)-88307530	service@aosom.de
FR	0033-1-84166106	aosom@mhfrance.fr
ES	0034-931294512	atencioncliente@aosom.es
PT	0034-931294512	info@aosom.pt
IT	0039-0249471447	clienti@aosom.it

US

Imported by Aosom LLC
27150 SW Kinsman Rd Wilsonville, OR 97070 USA
MADE IN CHINA

CA

Imported by Aosom Canada Inc.
1251 Tapscott Road, Unit 101, Scarborough, Ontario Canada M1X 1S9
MADE IN CHINA

Importé par Aosom Canada Inc.
1251 Rue Tapscott, Unité 101, Scarborough, Ontario Canada M1X 1S9
FABRIQUÉ EN CHINE

UK

IMPORTER ADDRESS:
MH STAR UK LTD
Unit 27, Perivale Park,
Horsenden lane South
Perivale, UB6 7RH
MADE IN CHINA

FR

ADRESSE D'IMPORTATION:
MH FRANCE
2 Rue Maurice Hartmann
92130 Issy Les Moulineaux
France
FABRIQUÉ EN CHINE

ES

IMPORTADOR:
SPANISH AOSOM, S.L.
C/ROC GROS,Nº15.08550, ELS HOSTALET DE BALENYÀ, SPAIN.
B66295775
WWW.AOSOM.ES
ATENCIONCLIENTE@AOSOM.ES
TEL: 931294512
HECHO EN CHINA

DE

ADRESSE DES IMPORTEURS:
MH Handel GmbH
Wendenstraße 309
D-20537 Hamburg
Germany
IN CHINA HERGESTELLT

IT

IMPORTATO DA:
AOSOM Italy srl
Centro Direzionale Milanofiori
Strada 1 Palazzo F1
20057 Assago (MI)
P.I.: 08567220960
FATTO IN CINA

I.Attention Matters

Warning matters:

1. Do not use means to accelerate the defrosting process or to clean, other than those recommended by the manufacturer.
2. The appliance shall be stored in a room without continuously operating ignition sources (for example: open flames, an operating gas appliance or an operating electric heater.)
3. Do not pierce or burn.
4. Be aware that refrigerants may not contain an odour.
5. Appliance shall be installed, operated and stored in a room with a floor area larger than 11 m²
7. Keep any required ventilation openings clear of obstruction;
8. Servicing shall be performed only as recommended by the manufacturer.
9. The appliance shall be stored in a well-ventilated area where the room size corresponds to the room area as specified for operation.
10. Any person who is involved with working on or breaking into a refrigerant circuit should hold a current valid certificate from an industry-accredited assessment authority, which authorises their competence to handle refrigerants safely in accordance with an industry recognised assessment specification.
11. Servicing shall only be performed as recommended by the equipment manufacturer.

Maintenance and repair requiring the assistance of other skilled personnel shall be carried out under the supervision of the person competent in the use of flammable refrigerants.

12. All working procedure that affects safety means shall only be carried by competent persons.



Notes:

- *The air conditioning is only suitable for indoor use, and is not suitable for other applications.
- *Follow local grid interconnection rules while installing the air conditioning and ensure that it is properly grounded. If you have any question on electrical installation, follow the instructions of the manufacturer, and if necessary, ask a professional electrician to install it.
- *Place the machine in a flat and dry place and keep a distance of above 50cm between the machine and the surrounding objects or walls.
- *After the air conditioning is installed, ensure that the power plug is intact and firmly plugged into the power outlet, and place the power cord orderly to prevent someone from being tripped or pulling out the plug.
- *Do not put any object into the air inlet and outlet of the air conditioning. Keep the air inlet and outlet free from obstructions.
- *When drainage pipes are installed, ensure that the drainage pipes are properly connected, and are not distorted or bended.
- * While adjusting the upper and lower wind-guide strips of the air outlet, pluck it with hands gently to avoid damaging wind-guide strips.
- *When moving the machine, make sure that it is in an upright position.
- *The machine should stay away from gasoline, flammable gas, stoves and other heat sources.
- * Don't disassemble, overhaul and modify the machine arbitrarily, otherwise it will cause a machine malfunction or even bring harm to persons and properties. To avoid danger, if a machine failure occurs, ask the manufacturer or professionals to repair it.
- * Do not install and use the air conditioning in the bathroom or other humid environments.
- * Do not pull the plug to turn off the machine.
- * Do not place cups or other objects on the body to prevent water or other liquids from spilling into the air conditioning.
- *Do not use insecticide sprays or other flammable substances near the air conditioning.
- * Do not wipe or wash the air conditioning with chemical solvents such as gasoline and alcohol. When you need to clean the air conditioning, you must disconnect the power supply, and clean it with a half-wet soft cloth. If the machine is really dirty, scrub with a mild detergent.
- * The appliance can be used by children aged from 8 years and above and persons with reduced physical, sensory or mental capabilities if they have been given supervision or instruction concerning use of the appliance in a safe way and understand the hazards involved. Children shall not play with the appliance. Cleaning and maintenance shall not be made by children without supervision. If the supply cord is damaged, it must be replaced by the manufacturer, its service agent or similarly qualified persons in order to avoid a hazard. The appliance shall be installed in accordance with national wiring regulations. Do not operate your air conditioner in a wet room such as a bathroom or laundry room.

Transportation, marking and storage for units

1. Transport of equipment containing flammable refrigerants
Compliance with the transport regulations
2. Marking of equipment using signs
Compliance with local regulations
3. Disposal of equipment using flammable refrigerants
Compliance with national regulations
4. Storage of equipment/appliances

The storage of equipment should be in accordance with the manufacturer's instructions.

5. Storage of packed (unsold) equipment Storage package protection should be constructed such that mechanical damage to the equipment inside the package will not cause a leak of the refrigerant charge.

The maximum number of pieces of equipment permitted to be stored together will be determined by local regulations.

II. Features and Components

Features

1: Brand new appearance, compact structure, smooth line, simple and generous shape.

2: Functions of refrigeration, dehumidification, air supply and continuous drainage

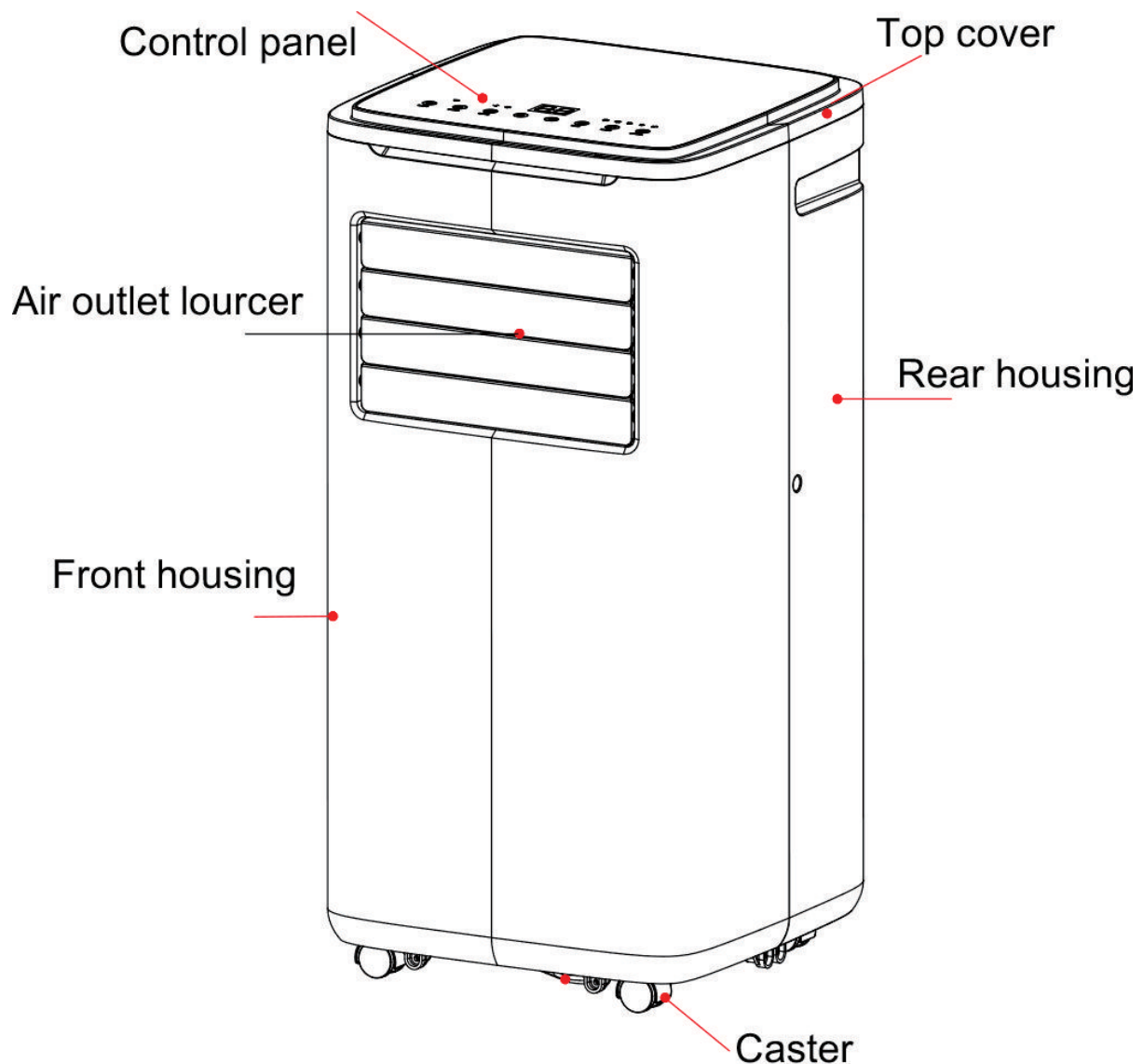
3: Outdoor interface is set high to facility assembly and keep the smooth flow of the heat pipe.

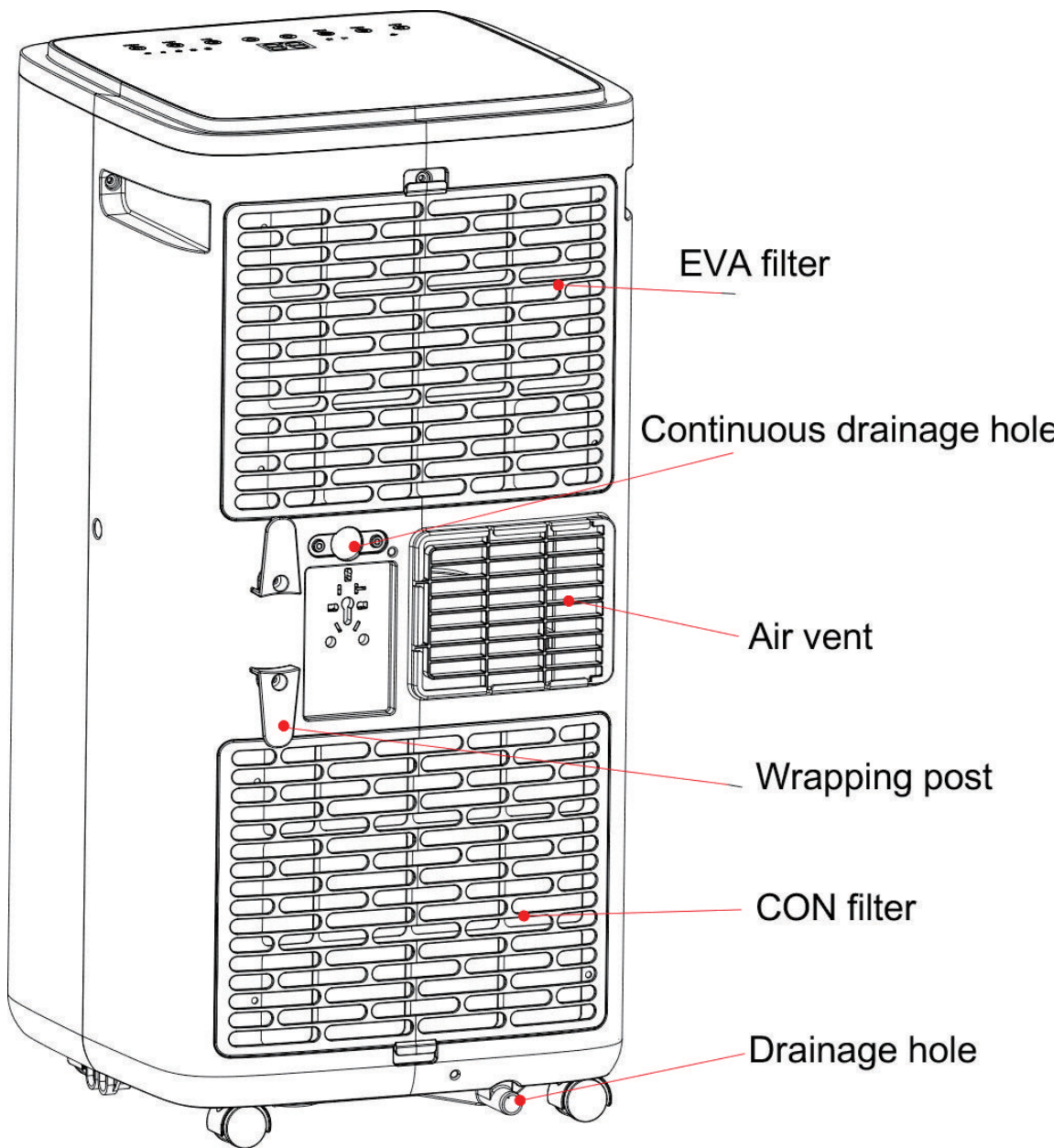
4: LED displays the control panel, beautiful and fashionable, with high-quality remote control. It adopts a user-friendly remote-control design.

5: Air filtration capability.

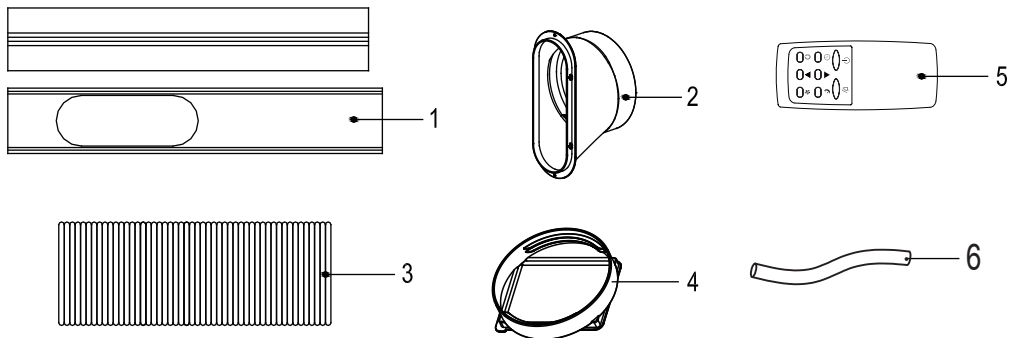
6: Timer switch function.

7: Protection function of automatically restarting the compressor after three minutes, a variety of other protection functions.





Check that all accessories are in the box and please read the instruction manual before assembling the unit.

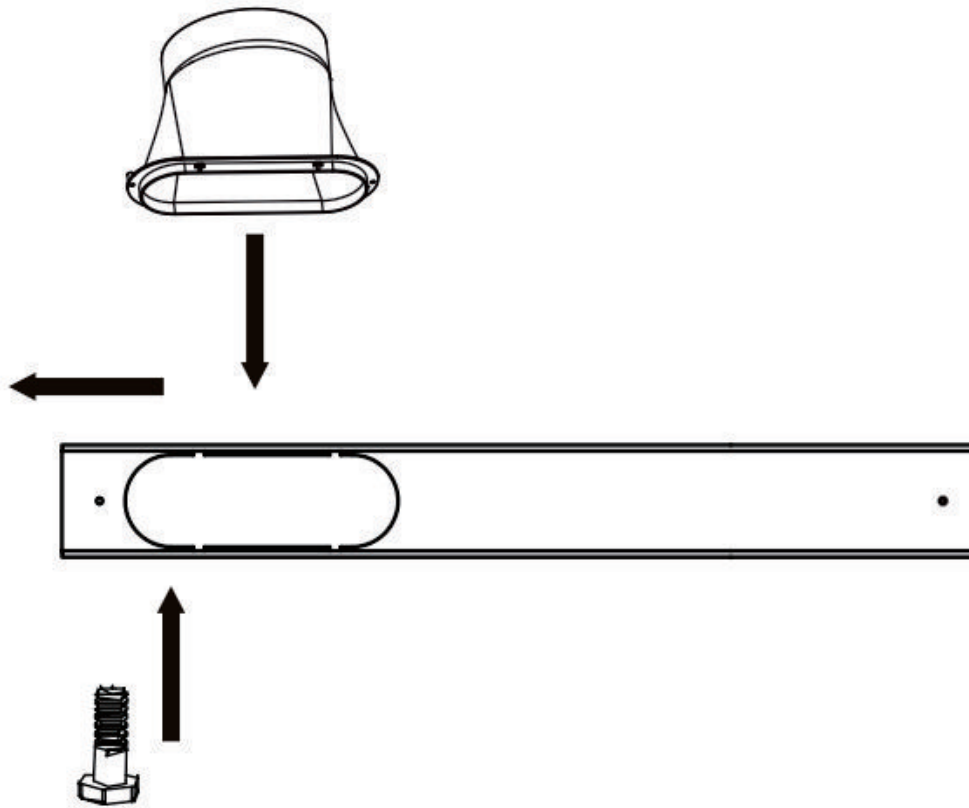


- | | | |
|-------------------------|------------------------|-----------------|
| 1. Adjustable slide bar | 2. Slide bar connector | 3. Exhaust hose |
| 4. Exhaust pipe joint | 5. Remote control | 6. Drain pipe |

Assemble the connector:

Insert the window slider connector into the hole and push the connector left to fix it onto the kit.

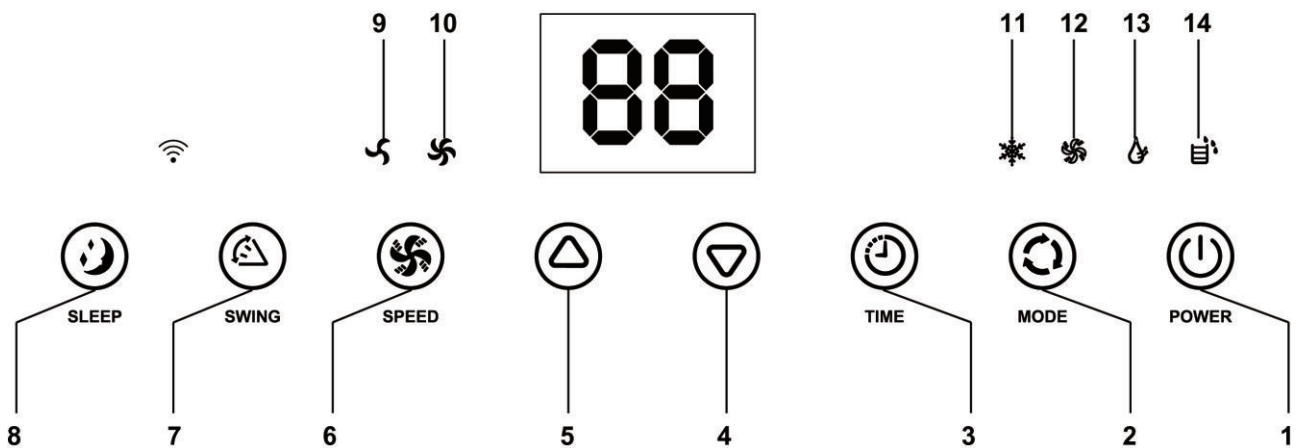
Then lock the connector by supplied screw.



III. Control Setting

1.Control panel operation instructions

Operation interface :



- 1.Power Key 2. Mode Key 3. Time Key 4. Down Key 5.UP Key 6.Speed Key
- 7. Swing Key 8.Sleep Key 9. Low speed indicator 10. High speed indicator
- 11. Cooling indicator 12. Fan indicator
- 13. dehumidification indicator 14. Water full indicator

When the machine is plug on for the first time, the buzzer will shout, and the machine will get into standby status.

1. **Power Key:** Press this key to turn on and turn off the unit.

2. **Mode Key:** When the unit is on, press this key to switch between COOLING → DEHUMIDIFYING→ FAN.

3. **TIMER Key:** When the unit is on, press the key to close timer; When the unit is off, press the key to open timer.

Press the key, when the timer symbol flashes, press up and down key to select the required timer value.

Timer values can be set in 1-24 hours and the timer value is adjusted up or down by one hour.

4. **DOWN Key:** Under timer mode, press this key to adjust the timer downwards.

Under cooling mode, press this key to adjust the temperature lower.

This function is not available under FAN mode and DEHUMIDIFYING mode.

5. **UP Key:** Under timer mode, press this key to adjust the time upwards.

Under cooling mode, press this key to adjust the temperature higher.

This function is not available under FAN mode and DEHUMIDIFYING mode.

6. **FAN SPEED Key:** In cooling and fan mode, press this key to select high, low speed. This function is not available in SLEEP mode and DEHUMIDIFYING mode.

7. **SWING Key:** Press the swing button to change the orientation of the louvres to direct the air.

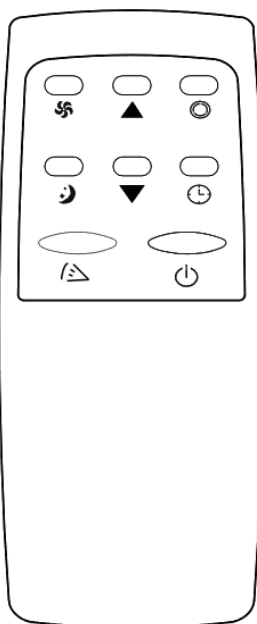
8. **Sleep Mode Key:** When the power is on and in cooling mode, press 'SLEEP' button to start the sleep mode. Under sleep mode, the FAN speed is set to LOW speed and not adjustable. The SLEEP mode can be cancelled by pressing the button. The function can not be turned on the sleep mode in the dehumidifying or Fan mode.

9. **ATMOSPHERE LIGHT:** While the unit is running, the atmosphere light will turned on to reflect each modes or conditions.

- Air Conditioning Mode, it will be illuminated with **blue** light.
- Fan Mode, it will be illuminated with **white** light.
- Dehumidifying Mode, it will be illuminated with **green** light.


When there is excess water condensation inside the unit, the air conditioner stops running and the it will be illuminated with **red** light.


To turn the Atomosphere Light ON/OFF, Press “SLEEP” the for 3 seconds.





2. Operation instructions of remote control


The air conditioner can be controlled with the remote control. Two AAA-batteries are required to use the remote control.


POWER : Press the POWER button to turn the unit on and off.


MODE : Press the MODE button to switch between cooling, dehumidifying, fan modes.


UP : Press the UP button to increase the desired temperature and set the duration of the timer.

DOWN : Press the DOWN button to reduce the desired temperature and set the duration of the timer.

FAN : Press the FAN button to cycle between high and low fan speeds.

TIMER : Press the TIMER button to set the duration of the power on or power off timer.

SWING : Press the swing button to change the orientation of the louvers to direct the air.

SLEEP MODE : Press to turn on the sleep mode. The unit will work with energy saving logic and the lowest fan speed.

IV. Protection function

1: Frost Protection Function:

In cooling mode, if the temperature of the EVA pipe sensor is too low, the unit will automatically enter protection status; if the temperature of the EVA pipe sensor rises to a certain temperature, it can automatically revert to normal operation.

2: Overflow Protection Function:

When water in the water pan exceeds the warning level, the unit will automatically sound an alarm, and the "FULL" indicator light will flash. At this point, you need to drainage the water (details see Drainage Instructions at the end of this chapter). After the water is emptied, the unit will automatically return to the original state.

3: Protection Function of the Compressor

To increase the service life of the compressor, it has a 3-minute delay booting protection function after the compressor is turned off.

V. Installation and adjustment

1. Installation :

Warning: before using the unit, keep it upright for at least two hours.

The unit can be easily moved in the room. In the moving process, ensure that the unit is in the upright position and should be placed on a flat surface. Do not install and use the unit in the bathroom or other humid environments.

1.1 Install the heat pipe assembly (as shown in Fig.1)

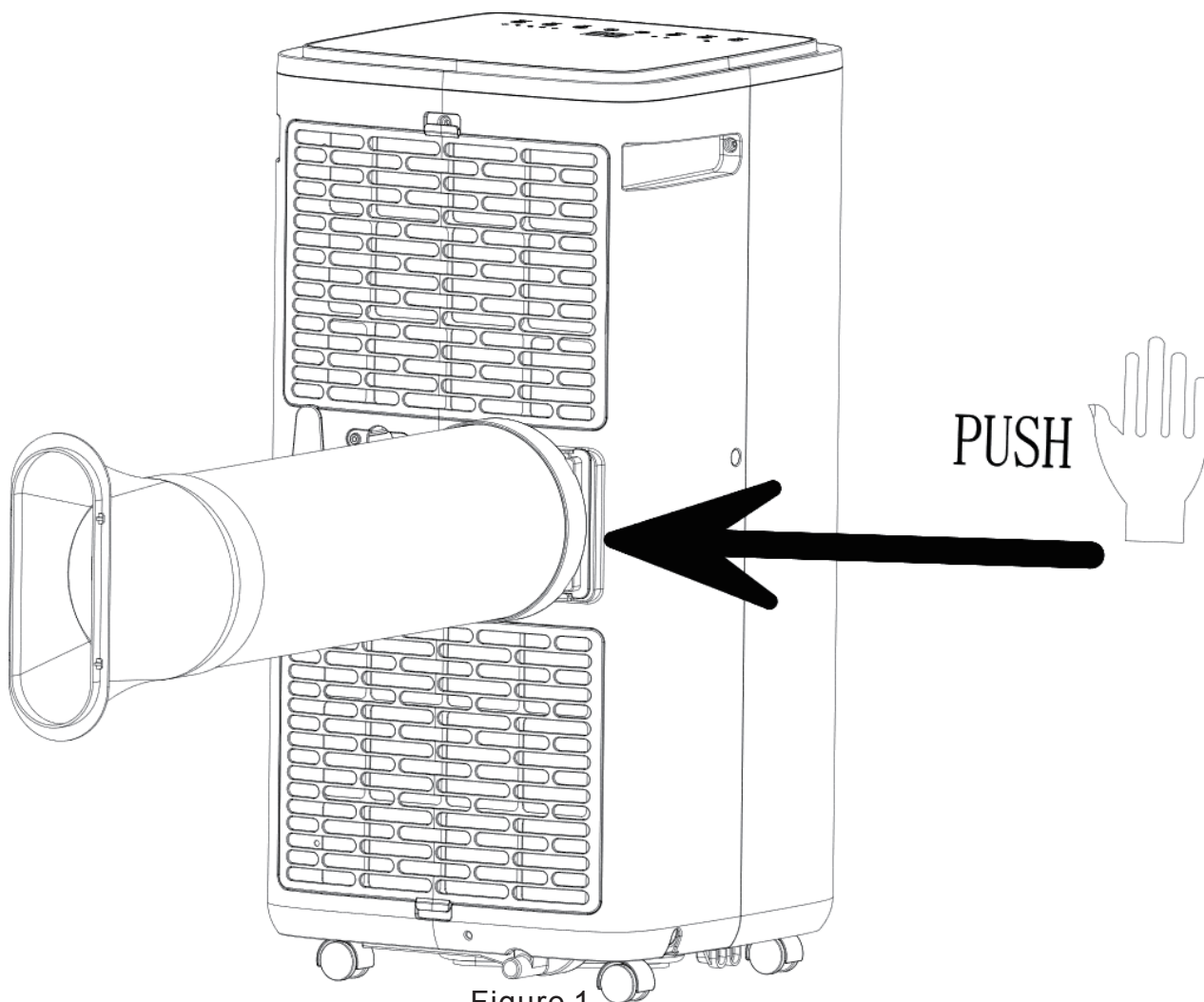


Figure 1

- 1) take out the outer connector assembly and the exhaust pipe assembly, and remove the plastic bags;
- 2) insert the heat pipe assembly (the end of the exhaust joint) into the back panel vent slot (push to the left) and complete the assembly (as shown in figure 1).

1.2 Installation of window sealing plate components

- 1) Half open the window, and mount the window sealing plate assembly to the window (as shown in Fig.2 and Fig.3). Components can be placed in horizontal and vertical direction.

- 3) Pull various components of the window sealing plate assembly open, adjust their opening distance to bring both ends of the assembly into contact with the window frame, and fix various components of the assembly.

Notes: 1: The flat end of the exhaust pipe joints must be snapped into place.

- 2: The pipe cannot be distorted nor has substantial turning (greater than 45 °). Keep the ventilation of the exhaust pipe unblocked.

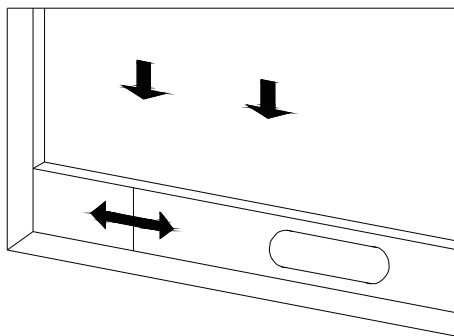


Figure 2

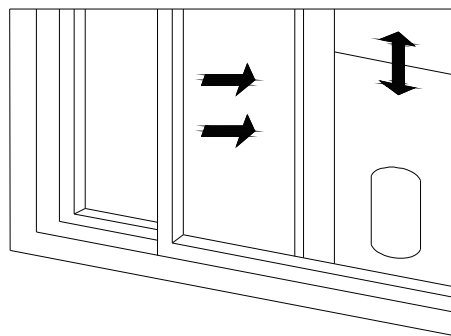


Figure 3

- 4) Move the unit with installed heat pipe and fittings before the window, and the distance between the body and walls or other objects shall be least 50 cm (as shown in Fig.4).

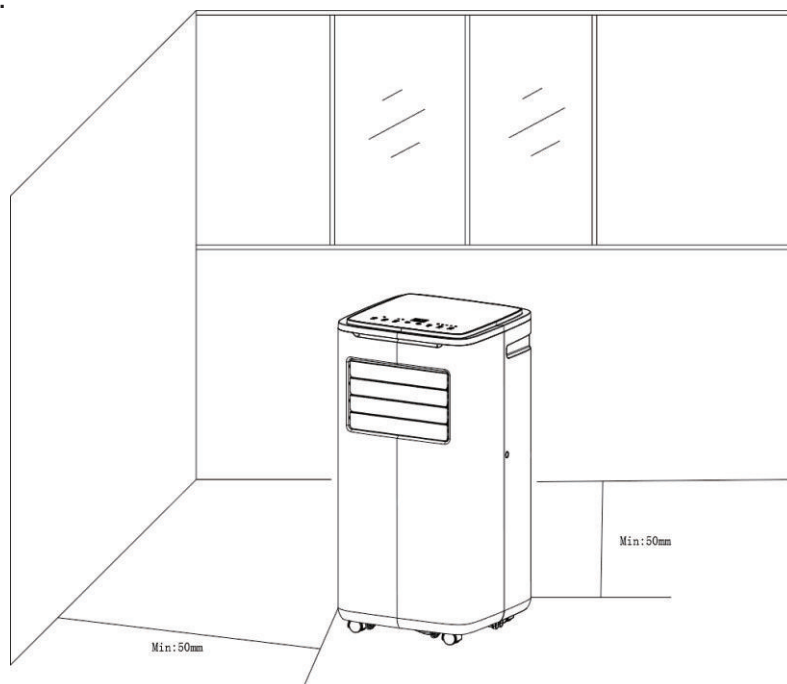


Figure4

5)

Elongate the exhaust pipe and snap the flat end of the exhaust pipe joints into the hole of the window sealing plate assembly (as shown in Fig.5 and Fig.6).

Notes : 1: The flat end of the exhaust pipe joints must be snapped into place.

2: The pipe cannot be distorted nor has substantial turning (greater than 45°). Keep the ventilation of the exhaust pipe unblocked.

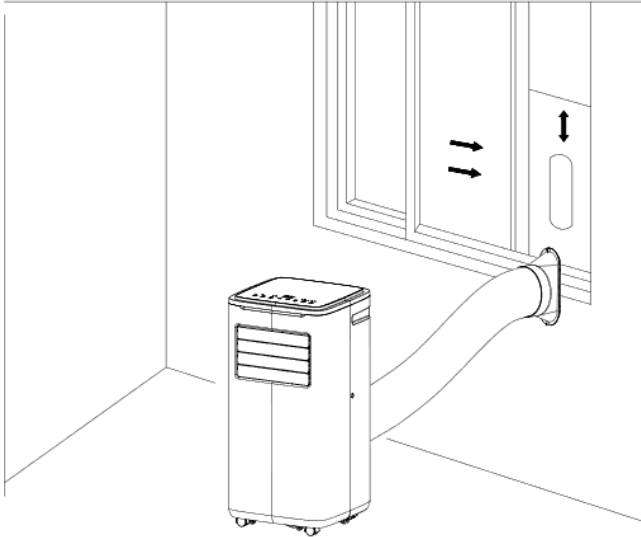


Figure 5

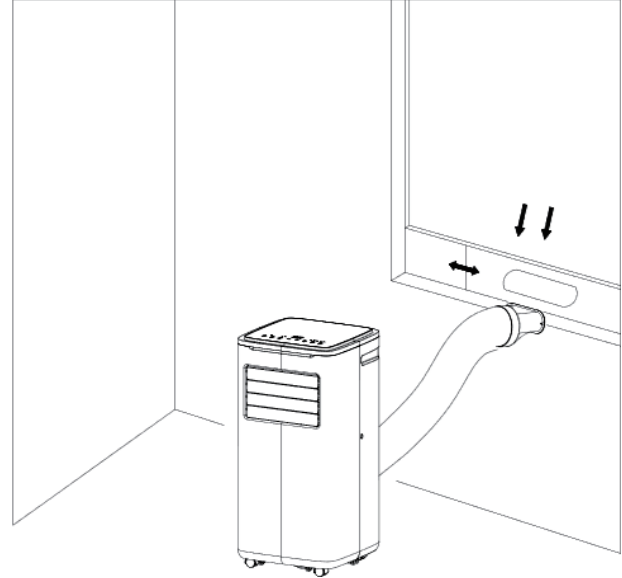


Figure 6

Important Notice:

The length of the exhaust hose shall be 280~1,500mm, and this length is based on the specifications of the unit. Do not use extension tubes or replace it with other different hoses, or this may cause a malfunction. Exhaust host must be unblocked; otherwise it may cause overheating.

VI. Drainage Instructions

This unit has two drainage methods: manual drainage and continuous drainage.

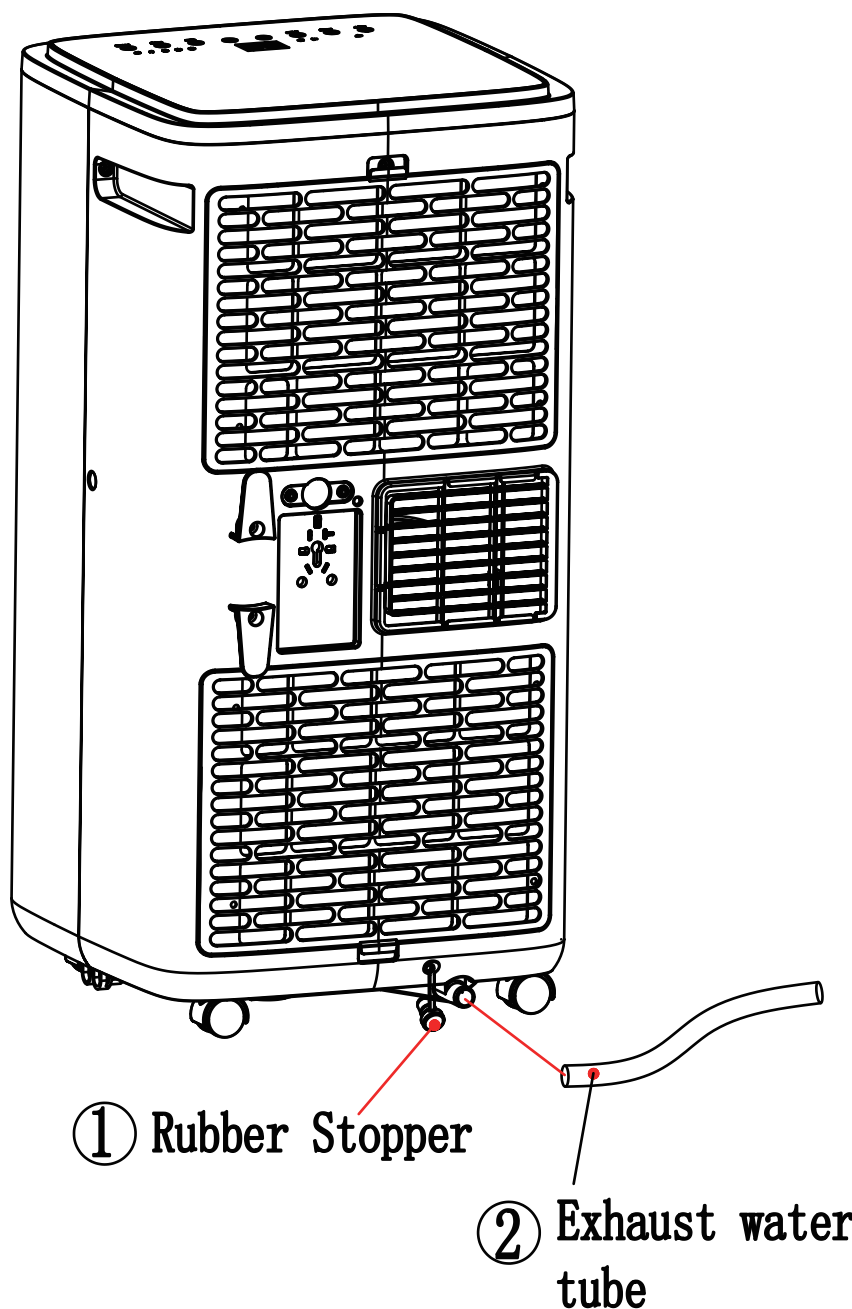
1. Manual drainage:

1) When the unit stops after the water is full, turn off the unit power and unplug the power plug.

Notes : Move the unit carefully, so as not to spill the water in the water pan at the bottom of the body.

2) Place the water container below the side water outlet behind the body.

3) Unplug the water plug, the water will automatically flow into the water container.

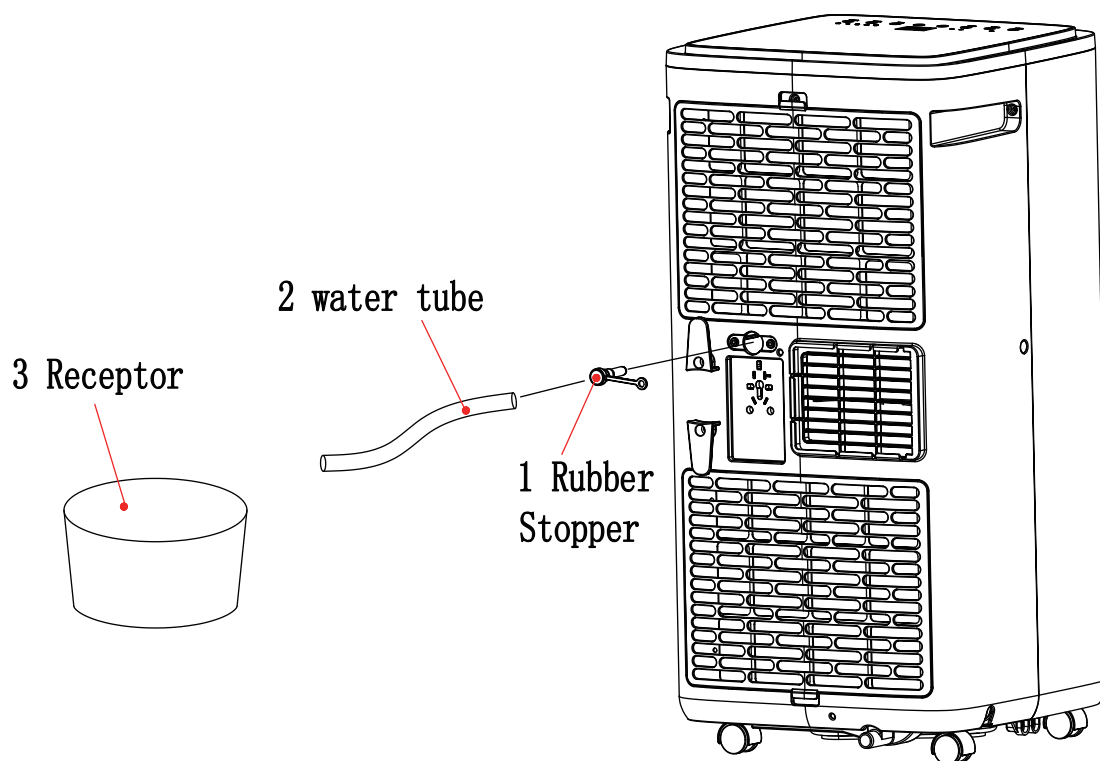


Notes :

- 1) Keep the drainage cover and the water plug properly.
- 2) During drainage, the body can be tilted slightly backwards.
- 3) If the water container cannot hold all the water, before the water container is full, insert the water outlet with the water plug as soon as possible to prevent water from flowing to the floor or the carpet.
- 4) When the water is discharged, insert the water plug, and tighten the drainage cover

2. Continuous drainage (Optional) (only applicable to dehumidifying mode), as shown in figure:

- 1) Unplug the water plug.
- 2) Set the drainage pipe into the water outlet.
- 3) Connect the drainage pipe to the bucket.



VII. Maintenance

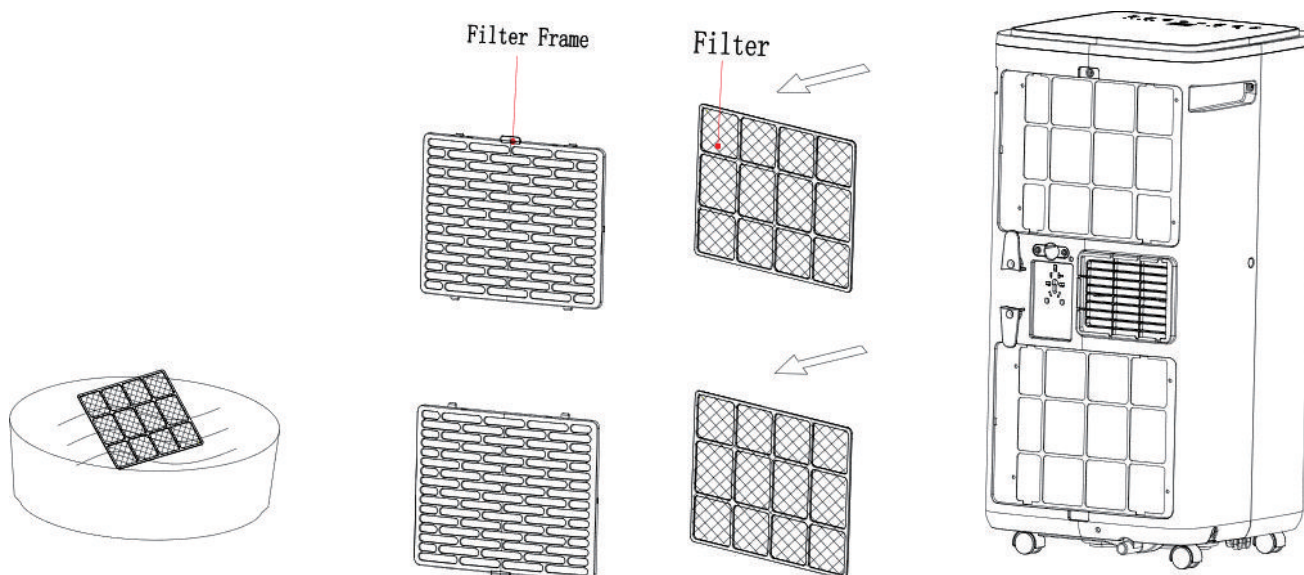
Cleaning: before cleaning and maintenance, turn off the unit and unplug the plug.

1. Clean the surface

Clean with surface of unit with a wet soft cloth. Don't use chemicals, such as benzene, alcohol, gasoline, etc; otherwise, the surface of the unit will be damaged or even the whole unit will be damaged.

2. Clean the filter screen

If the filter screen is clogged with dust, and the effectiveness of the unit is reduced, be sure to clean the filter screen once every two weeks.



3. Clean the upper filter screen frame

Unscrew one screw fixed by EVA filter net and back shell with screwdriver, and take out EVA filter net.

Put the EVA filter screen into warm water with neutral detergent (about 40 / 104) and dry it in the shade after rinsing clean.

VIII. Unit Storage:

1: Unscrew the drainage cover, unplug the water plug, and discharge the water in the water pan into other water containers or directly tilt the body to discharge the water into other containers.

2: Turn on the unit, adjust it to low-wind ventilation mode, and maintain this state until the drainage pipe becomes dry, so as to keep the inside of the body in a dry state and prevent it from mildewing.

3: Turn off the unit, unplug the power plug, and wrap the mains power cable around the wrapping post; install the water plug and the drainage cover.

4: Remove the exhaust pipe and keep it properly.

5: Cover the unit with a plastic bag. Store the unit in a dry place, keep it out of the reach of children, and take dust control measures.

6: Remove batteries from the remote control and keep them properly.

Note: Ensure that the body is placed in a dry place and keep all components properly.

IX. Troubleshooting

1. Information on servicing

1) Checks to the area

Prior to beginning work on systems containing flammable refrigerants, safety checks are necessary to ensure that the risk of ignition is minimised. For repair to the refrigerating system, the following precautions shall be complied with prior to conducting work on the system.

2) Work procedure

Work shall be undertaken under a controlled procedure so as to minimise the risk of a flammable gas or vapour being present while the work is being performed.

3) General work area

All maintenance staff and others working in the local area shall be instructed on the nature of work being carried out. Work in confined spaces shall be avoided. The area around the workspace shall be sectioned off. Ensure that the conditions within the area have been made safe by control of flammable material.

4) Checking for presence of refrigerant

The area shall be checked with an appropriate refrigerant detector prior to and during work, to ensure the technician is aware of potentially flammable atmospheres. Ensure that the leak detection equipment being used is suitable for use with flammable refrigerants, i.e. non-sparking, adequately sealed or intrinsically safe.

5) Presence of fire extinguisher

If any hot work is to be conducted on the refrigeration equipment or any associated parts, appropriate fire extinguishing equipment shall be available to hand. Have a dry powder or CO₂ fire extinguisher adjacent to the charging area.

6) No ignition sources

No person carrying out work in relation to a refrigeration system which involves exposing any pipe work that contains or has contained flammable refrigerant shall use any sources of ignition in such a manner that it may lead to the risk of fire or explosion. All possible ignition sources, including cigarette smoking, should be kept sufficiently far away from the site of installation, repairing, removing and disposal, during which flammable refrigerant can possibly be released to the

surrounding space. Prior to work taking place, the area around the equipment is to be surveyed to make sure that there are no flammable hazards or ignition risks. "No Smoking" signs shall be displayed.

7) Ventilated area

Ensure that the area is in the open or that it is adequately ventilated before breaking into the system or conducting any hot work. A degree of ventilation shall continue during the period that the work is carried out. The ventilation should safely disperse any released refrigerant and preferably expel it externally into the atmosphere.

8) Checks to the refrigeration equipment

Where electrical components are being changed, they shall be fit for the purpose and to the correct specification. At all times the manufacturer's maintenance and service guidelines shall be followed. If in doubt consult the manufacturer's technical department for assistance.

The following checks shall be applied to installations using flammable refrigerants:

- The charge size is in accordance with the room size within which the refrigerant containing parts are installed;
- The ventilation machinery and outlets are operating adequately and are not obstructed;
- If an indirect refrigerating circuit is being used, the secondary circuit shall be checked for the presence of refrigerant;
- Marking to the equipment continues to be visible and legible. Markings and signs that are illegible shall be corrected;
- Refrigeration pipe or components are installed in a position where they are unlikely to be exposed to any substance which may corrode refrigerant containing components, unless the components are constructed of materials which are inherently resistant to being corroded or are suitably protected against being so corroded.

9) Checks to electrical devices

Repair and maintenance to electrical components shall include initial safety checks and component inspection procedures. If a fault exists that could compromise safety, then no electrical supply shall be connected to the circuit until it is satisfactorily dealt with. If the fault cannot be corrected immediately but it is necessary to continue operation, an adequate temporary solution shall be used. This shall be reported to the owner of the equipment so all parties are advised.

Initial safety checks shall include:

That capacitors are discharged: this shall be done in a safe manner to avoid possibility of sparking;

That there no live electrical components and wiring are exposed while charging, recovering or purging the system;

That there is continuity of earth bonding.

2. Repairs to sealed components

1) During repairs to sealed components, all electrical supplies shall be disconnected from the equipment being worked upon prior to any removal of sealed covers, etc. If it is absolutely necessary to have an electrical supply to equipment during servicing, then a permanently operating form of leak detection shall be located at the most critical point to warn of a potentially hazardous situation.

2) Particular attention shall be paid to the following to ensure that by working on electrical components, the casing is not altered in such a way that the level of protection is affected.

This shall include damage to cables, excessive number of connections, terminals not made to original specification, damage to seals, incorrect fitting of glands, etc.

Ensure that apparatus is mounted securely.

Ensure that seals or sealing materials have not degraded such that they no longer

serve the purpose of preventing the ingress of flammable atmospheres. Replacement parts shall be in accordance with the manufacturer's specifications. NOTE: The use of silicon sealant may inhibit the effectiveness of some types of leak detection equipment. Intrinsically safe components do not have to be isolated prior to working on them.

3. Repair to intrinsically safe components

Do not apply any permanent inductive or capacitance loads to the circuit without ensuring that this will not exceed the permissible voltage and current permitted for the equipment in use.

Intrinsically safe components are the only types that can be worked on while live in the presence of a flammable atmosphere. The test apparatus shall be at the correct rating.

Replace components only with parts specified by the manufacturer. Other parts may result in the ignition of refrigerant in the atmosphere from a leak.

4. Cabling

Check that cabling will not be subject to wear, corrosion, excessive pressure, vibration, sharp edges or any other adverse environmental effects. The check shall also take into account the effects of aging or continual vibration from sources such as compressors or fans.

5. Detection of flammable refrigerants

Under no circumstances shall potential sources of ignition be used in the searching for or detection of refrigerant leaks. A halide torch (or any other detector using a naked flame) shall not be used.

6. Leak detection methods

The following leak detection methods are deemed acceptable for systems containing flammable refrigerants.

Electronic leak detectors shall be used to detect flammable refrigerants, but the sensitivity may not be adequate, or may need re-calibration. (Detection equipment shall be calibrated in a refrigerant-free area.) Ensure that the detector is not a potential source of ignition and is suitable for the refrigerant used. Leak detection equipment shall be set at a percentage of the LFL of the refrigerant and shall be calibrated to the refrigerant employed and the appropriate percentage of gas (25 % maximum) is confirmed.

Leak detection fluids are suitable for use with most refrigerants but the use of detergents containing chlorine shall be avoided as the chlorine may react with the refrigerant and corrode the copper pipe-work.

If a leak is suspected, all naked flames shall be removed/ extinguished.

If a leakage of refrigerant is found which requires brazing, all of the refrigerant shall be recovered from the system, or isolated (by means of shut off valves) in a part of the system remote from the leak. Oxygen free nitrogen (OFN) shall then be purged through the system both before and during the brazing process.

7. Removal and evacuation

When breaking into the refrigerant circuit to make repairs – or for any other purpose –conventional procedures shall be used. However, it is important that best practice is followed since flammability is a consideration. The following procedure shall be adhered

to:

- Remove refrigerant;
- Purge the circuit with inert gas;
- Evacuate;

Purge again with inert gas;

Open the circuit by cutting or brazing.

The refrigerant charge shall be recovered into the correct recovery cylinders. The system shall be "flushed" with OFN to render the unit safe. This process may need to be repeated several times. Compressed air or oxygen shall not be used for this task.

Flushing shall be achieved by breaking the vacuum in the system with OFN and continuing to fill until the working pressure is achieved, then venting to atmosphere, and finally pulling down to a vacuum. This process shall be repeated until no refrigerant is within the system. When the final OFN charge is used, the system shall be vented down to atmospheric pressure to enable work to take place. This operation is absolutely vital if brazing operations on the pipe-work are to take place.

Ensure that the outlet for the vacuum pump is not close to any ignition sources and there is ventilation available.

8. Charging procedures

In addition to conventional charging procedures, the following requirements shall be followed.

- Ensure that contamination of different refrigerants does not occur when using charging equipment. Hoses or lines shall be as short as possible to minimise the amount of refrigerant contained in them.
- Cylinders shall be kept upright.
- Ensure that the refrigeration system is earthed prior to charging the system with refrigerant.
- Label the system when charging is complete (if not already).
- Extreme care shall be taken not to overfill the refrigeration system.

Prior to recharging the system it shall be pressure tested with OFN. The system shall be leak tested on completion of charging but prior to commissioning. A follow up leak test shall be carried out prior to leaving the site.

9. Decommissioning

Before carrying out this procedure, it is essential that the technician is completely familiar with the equipment and all its detail. It is recommended good practice that all refrigerants are recovered safely. Prior to the task being carried out, an oil and refrigerant sample shall be taken in case analysis is required prior to re-use of reclaimed refrigerant. It is essential that electrical power is available before the task is commenced.

- a) Become familiar with the equipment and its operation.
- b) Isolate system electrically.
- c) Before attempting the procedure ensure that: Mechanical handling equipment is available, if required, for handling refrigerant cylinders;
All personal protective equipment is available and being used correctly;
The recovery process is supervised at all times by a competent person;
Recovery equipment and cylinders conform to the appropriate standards.
- d) Pump down refrigerant system, if possible.
- e) If a vacuum is not possible, make a manifold so that refrigerant can be removed from various parts of the system.
- f) Make sure that cylinder is situated on the scales before recovery takes place.
- g) Start the recovery machine and operate in accordance with manufacturer's instructions.
- h) Do not overfill cylinders. (No more than 80 % volume liquid charge).
- i) Do not exceed the maximum working pressure of the cylinder, even temporarily.
- j) When the cylinders have been filled correctly and the process completed, make sure that the cylinders and the equipment are removed from site promptly and all

isolation valves on the equipment are closed off.

k) Recovered refrigerant shall not be charged into another refrigeration system unless it has been cleaned and checked.

10. Labelling

Equipment shall be labelled stating that it has been de-commissioned and emptied of refrigerant. The label shall be dated and signed. Ensure that there are labels on the equipment stating the equipment contains flammable refrigerant.

11. Recovery

When removing refrigerant from a system, either for servicing or decommissioning, it is recommended good practice that all refrigerants are removed safely.

When transferring refrigerant into cylinders, ensure that only appropriate refrigerant recovery cylinders are employed. Ensure that the correct number of cylinders for holding the total system charge is available. All cylinders to be used are designated for the recovered refrigerant and labelled for that refrigerant (i.e. special cylinders for the recovery of refrigerant). Cylinders shall be complete with pressure relief valve and associated shut-off valves in good working order. Empty recovery cylinders are evacuated and, if possible, cooled before recovery occurs.

The recovery equipment shall be in good working order with a set of instructions concerning the equipment that is at hand and shall be suitable for the recovery of flammable refrigerants. In addition, a set of calibrated weighing scales shall be available and in good working order. Hoses shall be complete with leak-free disconnect couplings and in good condition. Before using the recovery machine, check that it is in satisfactory working order, has been properly maintained and that any associated electrical components are sealed to prevent ignition in the event of a refrigerant release. Consult manufacturer if in doubt.

The recovered refrigerant shall be returned to the refrigerant supplier in the correct recovery cylinder, and the relevant Waste Transfer Note arranged. Do not mix refrigerants in recovery units and especially not in cylinders.

If compressors or compressor oils are to be removed, ensure that they have been evacuated to an acceptable level to make certain that flammable refrigerant does not remain within the lubricant. The evacuation process shall be carried out prior to returning the compressor to the suppliers. Only electric heating to the compressor body shall be employed to accelerate this process. When oil is drained from a system, it shall be carried out safely.

Fuse parameters of the machine

Type: 5TE or 5ET or 5H or 5N Voltage: 250V Current: 3.15 A

A. Unit Storage:

1: Unscrew the drainage cover, unplug the water plug, and discharge the water in the water pan into other water containers or directly tilt the body to discharge the water into other containers.

2: Turn on the machine, adjust it to low-wind ventilation mode, and maintain this state until the drainage pipe becomes dry, so as to keep the inside of the body in a dry state and prevent it from mildewing.

3: Turn off the machine, unplug the power plug, and wrap the power cord around the wrapping post; install the water plug and the drainage cover.

4: Remove the exhaust pipe and keep it properly.

5: Cover the air conditioning with a plastic bag. Put the air conditioning in a dry place, keep it out of the reach of children, and take dust control measures.

6: Remove batteries of the remote control and keep them properly.

Note: ensure that the body is placed in a dry place and keep all machine components properly.

IX. Troubleshooting

Do not repair or disassemble the air conditioning by yourself. Unqualified repair will lead to failure of the warranty card, and may cause damage to users or their properties.

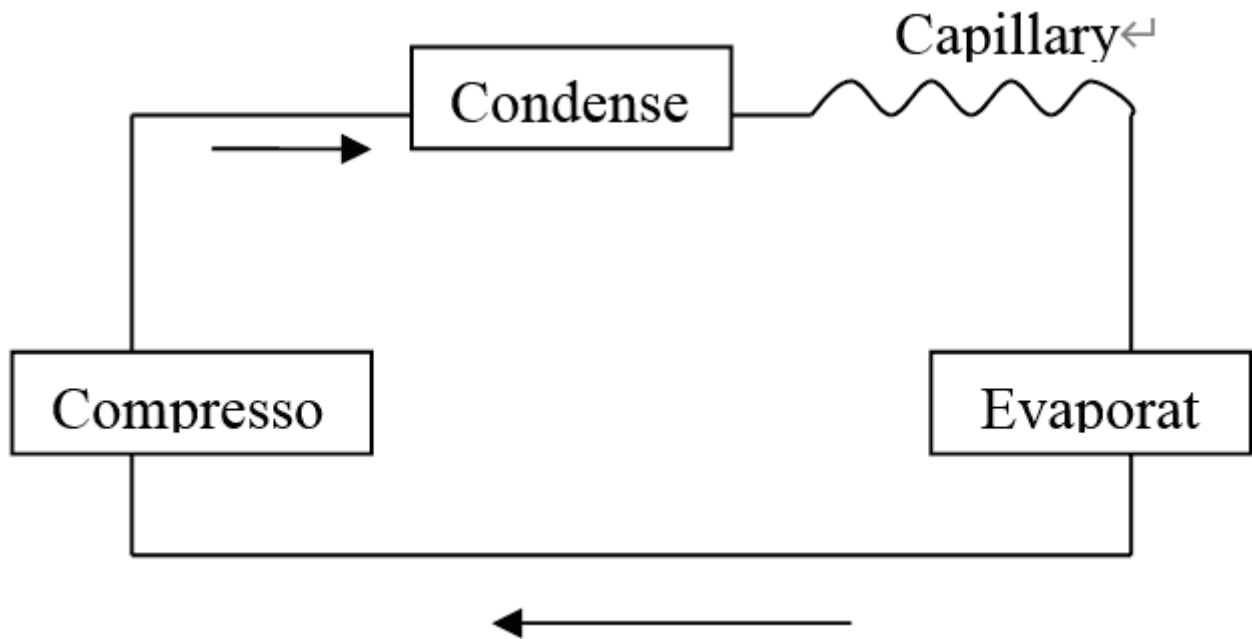
Problems	Reasons	Solutions
The air conditioning does not work.	There is no electricity.	Turn it on after connecting it to a socket with electricity.
	The water-full indicator will light.	Discharge the water inside.
	The ambient temperature is too low or too high	Recommend to use the machine in at the temperature of 7-35 °C.
	In cooling mode, the room temperature is lower than the set temperature;	Change the set temperature.
	In dehumidification mode, the ambient temperature is low.	The machine is placed in a room with an ambient temperature of greater than 17 °C.
The cooling effect is not good	There is direct sunlight.	Pull the Curtain.
	Doors or windows are open; there are a lot of people; or in cooling mode, there are other sources of heat.	Close doors and windows, and add new air conditioning.
	The filter screen is dirty.	Clean or replace the filter screen.
	The air inlet or outlet is blocked.	Clear obstructions.
Big Noise	The air conditioning is not placed on a flat surface.	Put the air conditioning on a flat and hard place (to reduce noise).
compressor does not work.	Frost protection starts.	Wait for 3 minutes until the temperature is lowered, and then restart the machine.
	Overheat protection starts.	
The remote control does not work.	The distance between the machine and the remote control is too far.	Let the remote control get close to the air conditioning, and make sure that the remote control directly faces to the direction of the remote control receiver.
	The remote control is not aligned with the direction of the remote control receiver.	
	Batteries are dead.	Replace batteries.
Displays 'E1'.	The room temperature sensor is abnormal.	Check the room temperature sensor and related circuitry.
Displays 'E2'	The pipe temperature sensor is abnormal.	Check the pipe temperature sensor and related circuitry.

Note: If problems not listed in the table occur or recommended solutions do not work, contact the professional service organization.

X.Addendum

Schematic diagram for air conditioning

(The specific technical parameters of the machine shall be subject to the nameplate on the product)

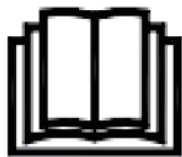


Treatment: Don't put the abandoned machine with other unsorted waste together. Such waste shall be placed separately for other special use.

I. Cuestiones importantes

Advertencias importantes:

1. No utilice medios para acelerar el proceso de descongelación o para limpiar, distintos de los recomendados por el fabricante.
2. El aparato debe almacenarse en una habitación sin fuentes de ignición en funcionamiento continuo (por ejemplo: llamas abiertas, un aparato de gas en funcionamiento o un calentador eléctrico en funcionamiento).
3. No se debe perforar ni quemar.
4. Tenga en cuenta que los refrigerantes pueden no tener olor.
5. El aparato debe instalarse, funcionar y almacenarse en una sala con una superficie superior a 11 m².
7. Mantenga las aberturas de ventilación necesarias libres de obstrucciones.
8. El mantenimiento se realizará únicamente según las recomendaciones del fabricante.
9. El aparato debe almacenarse en un área bien ventilada donde el tamaño de la habitación corresponda al área de la habitación especificada para el funcionamiento.
10. Toda persona que trabaje en un circuito de refrigerante o lo intervenga debe estar en posesión de un certificado válido de una autoridad de evaluación acreditada por la industria, que autorice su competencia para manipular refrigerantes de forma segura de acuerdo con una especificación de evaluación reconocida por la industria.
11. El mantenimiento sólo se realizará según las recomendaciones del fabricante del equipo.
El mantenimiento y las reparaciones que requieran la asistencia de otro personal cualificado se llevarán a cabo bajo la supervisión de la persona competente en el uso de refrigerantes inflamables.
12. Todo procedimiento de trabajo que afecte a los medios de seguridad será llevado a cabo únicamente por personas competentes.



Notas:

- * El aire acondicionado sólo es adecuado para uso en interiores, y no es adecuado para otras aplicaciones.
 - * Siga las normas locales de interconexión a la red eléctrica mientras instala el aire acondicionado y asegúrese de que está correctamente conectado a tierra. Si tiene alguna duda sobre la instalación eléctrica, siga las instrucciones del fabricante y, si es necesario, pida a un electricista profesional que lo instale.
 - * Coloque la máquina en un lugar plano y seco y mantenga una distancia superior a 50 cm entre la máquina y los objetos o paredes circundantes.
 - * Una vez instalado el aire acondicionado, asegúrese de que el enchufe está intacto y firmemente conectado a la toma de corriente, y coloque el cable de alimentación de forma ordenada para evitar que alguien se tropiece o desconecte el enchufe.
 - * No ponga ningún objeto en la entrada y salida de aire del aire acondicionado. Mantenga la entrada y la salida de aire libres de obstrucciones.
 - * Cuando se instalen las tuberías de drenaje, asegúrese de que éstas estén bien conectadas y no estén deformadas o dobladas.
 - * Cuando ajuste las tiras de guía de viento superior e inferior de la salida de aire, hágalo con las manos suavemente para evitar dañar las tiras de guía de viento.
 - * Cuando mueva la máquina, asegúrese de que está en posición vertical.
 - * La máquina debe permanecer alejada de la gasolina, el gas inflamable, las estufas y otras fuentes de calor.
 - * No desmonte, revise ni modifique la máquina de forma arbitraria, ya que de lo contrario provocará un mal funcionamiento de la máquina o incluso provocará daños a personas y propiedades. Para evitar el peligro, si se produce una avería en la máquina, pida al fabricante o a profesionales que la reparen.
 - * No instale ni utilice el aire acondicionado en el baño o en otros ambientes húmedos.
 - * No tire del enchufe para apagar la máquina.
 - * No coloque tazas u otros objetos sobre la carrocería para evitar que el agua u otros líquidos se derramen en el aire acondicionado.
 - * No utilice aerosoles insecticidas u otras sustancias inflamables cerca del aire acondicionado.
 - * No limpie o lave el aire acondicionado con disolventes químicos como la gasolina y el alcohol. Cuando necesite limpiar el aire acondicionado, debe desconectar la fuente de alimentación, y limpiarlo con un paño suave medio húmedo. Si el aparato está muy sucio, frote con un detergente suave.
 - * El aparato puede ser utilizado por niños a partir de 8 años y por personas con capacidades físicas, sensoriales o mentales reducidas si han recibido supervisión o instrucciones sobre el uso del aparato de forma segura y comprenden los peligros que conlleva. Los niños no deben jugar con el aparato. La limpieza y el mantenimiento no deben ser realizados por niños sin supervisión.
 - Si el cable de alimentación está dañado, debe ser sustituido por el fabricante, por su agente de servicio o por personas con cualificación similar, con el fin de evitar un peligro.
- El aparato debe instalarse de acuerdo con las normas nacionales de cableado. No haga funcionar el acondicionador de aire en una habitación húmeda, como un cuarto de baño o una lavandería.

Transporte, marcado y almacenamiento de unidades

1. Transporte de equipos que contengan refrigerantes inflamables
Cumplimiento de las normas de transporte
2. Marcado de equipos mediante carteles.
Cumplimiento de las normativas locales
3. Eliminación de equipos que utilizan refrigerantes inflamables
Cumplimiento de la normativa nacional

4. Almacenamiento de equipos/aparatos

El almacenamiento del equipo debe realizarse de acuerdo con las instrucciones del fabricante.

5. Almacenamiento de equipos empacados (no vendidos)

La protección del paquete de almacenamiento debe construirse de manera que el daño mecánico al equipo dentro del paquete no provoque una fuga de la carga de refrigerante.

La cantidad máxima de piezas de equipo que se permite almacenar juntas estará determinada por las reglamentaciones locales.

II. Características y componentes

Características

1: Aspecto completamente nuevo, estructura compacta, línea suave, forma simple y generosa.

2: Funciones de refrigeración, deshumidificación, suministro de aire y drenaje continuo.

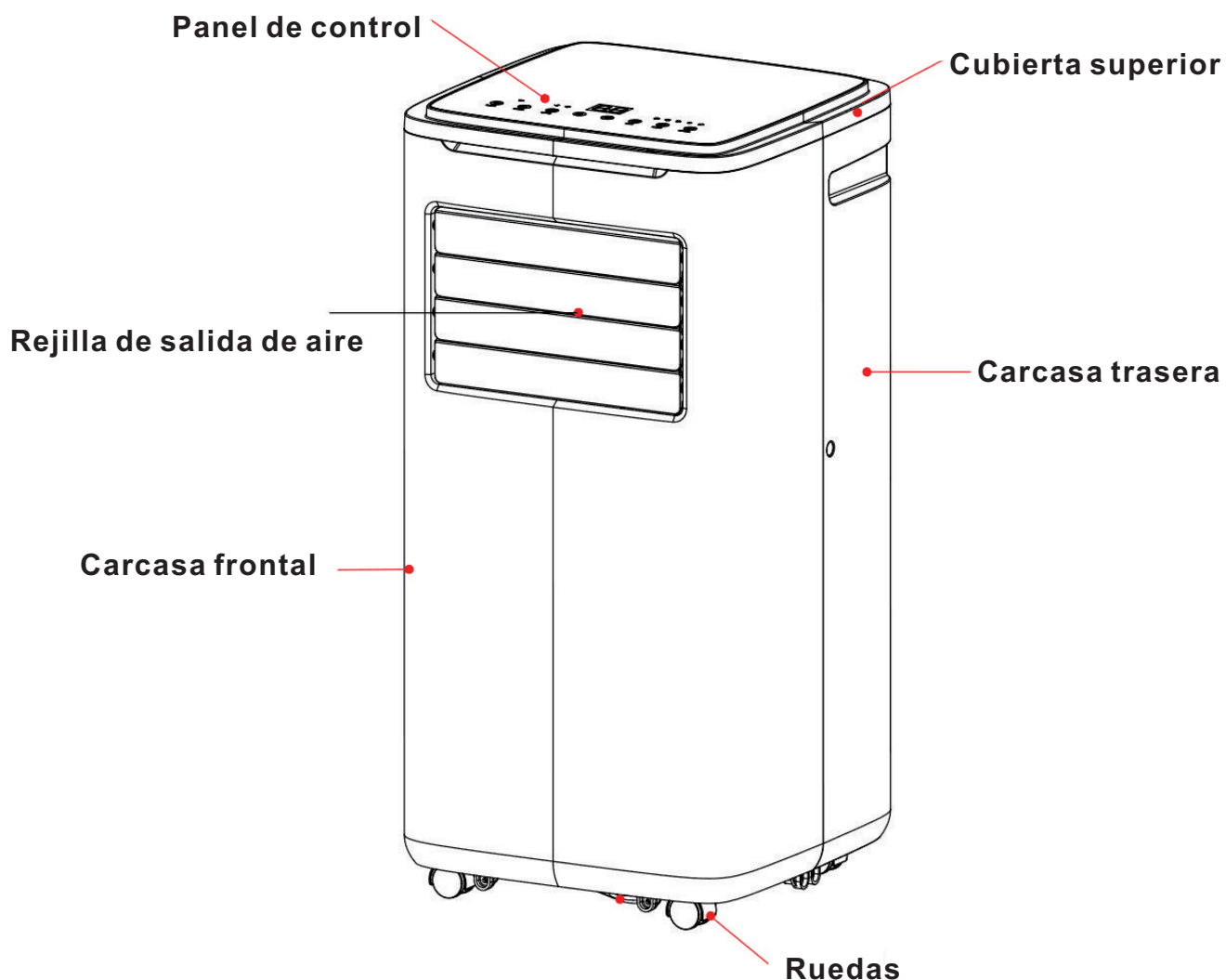
3: La interfaz exterior se establece en un nivel alto para el ensamblaje de la instalación y mantiene el flujo suave de la tubería de calor.

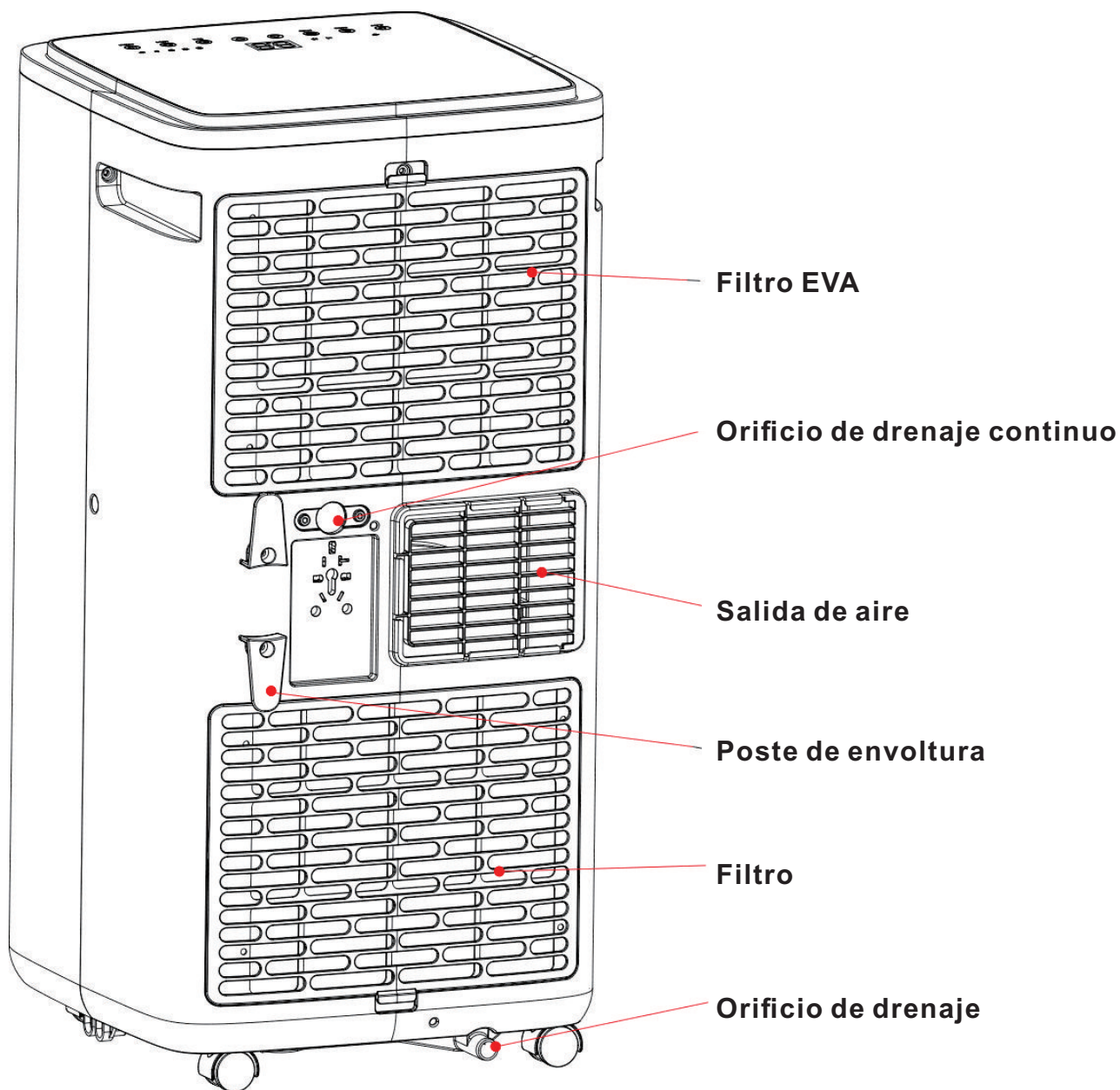
4: LED muestra el panel de control, hermoso y moderno, con control remoto de alta calidad. Adopta un diseño de control remoto fácil de usar.

5: Capacidad de filtración de aire.

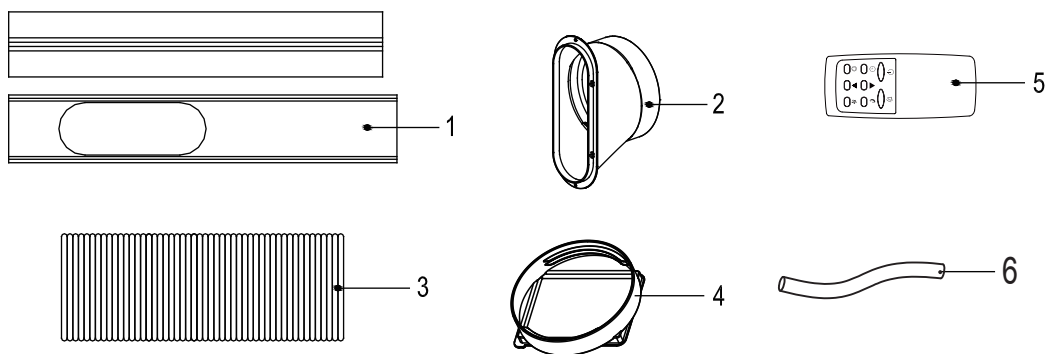
6: Función de temporizador.

7: Función de protección de reinicio automático del compresor después de tres minutos, una variedad de otras funciones de protección.





Verifique que todos los accesorios estén en la caja y lea el manual de instrucciones antes de montar la unidad.



1. Barra deslizante ajustable

2. Conector de barra deslizante

3. Manguera de escape

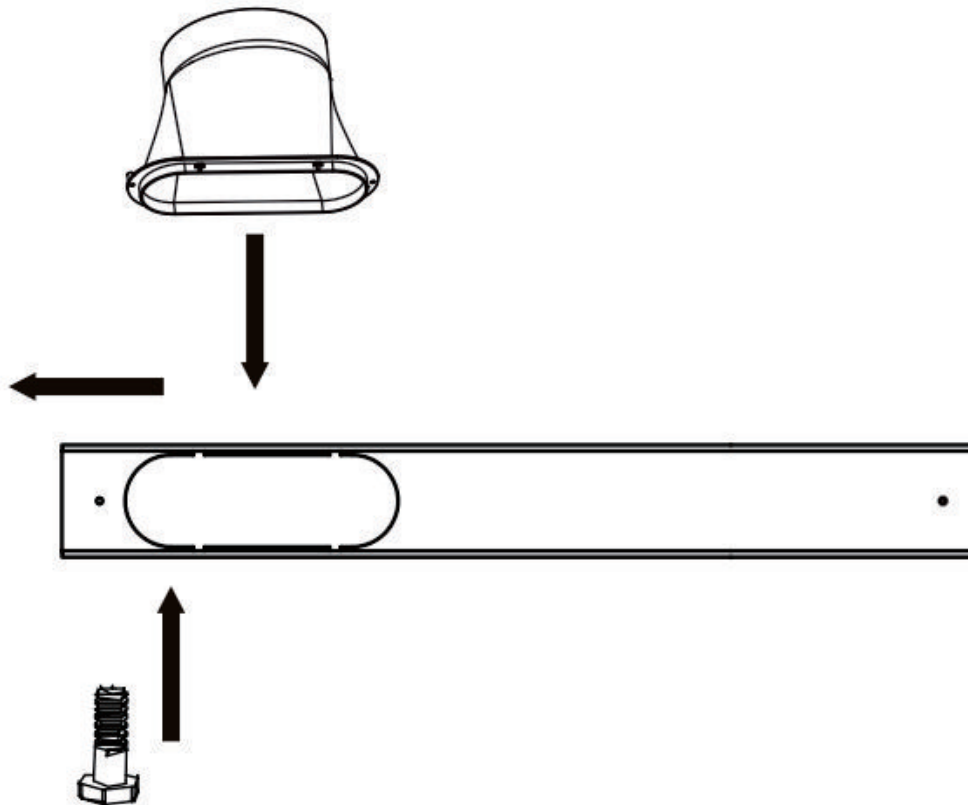
4. Unión del tubo de escape

5. Mando a distancia

6. Tubo de agua

Montar el conector:

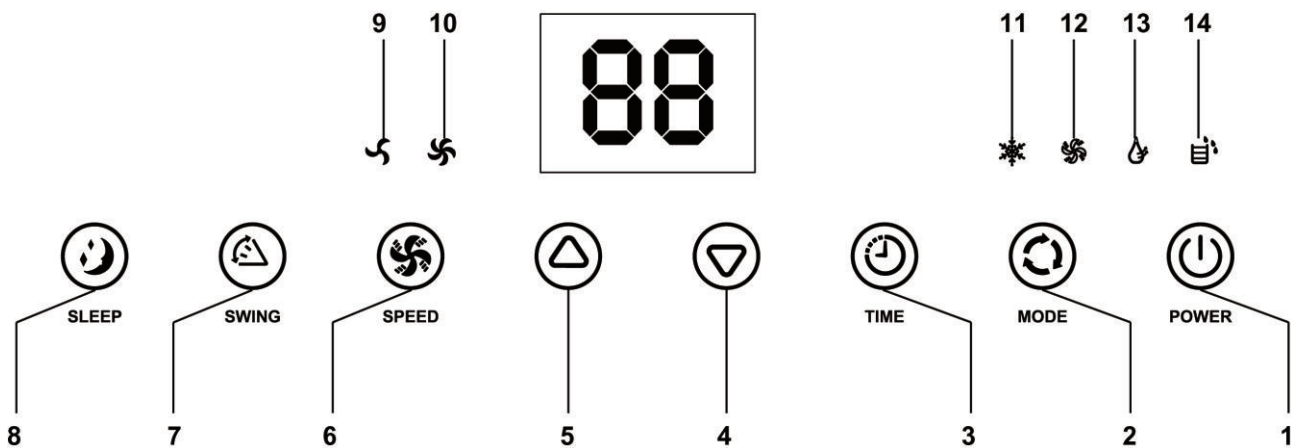
Inserte el conector del control deslizante de la ventana en el orificio y empuje el conector hacia la izquierda para fijarlo en el kit. Luego bloquee el conector con el tornillo suministrado.



III. Configuración de controles

1. Instrucciones de funcionamiento del panel de control

Interfaz de operación :



- 1. Encendido 2. Modo 3. Tiempo 4. Abajo 5. Arriba 6. Velocidad 7. Swing
- 8. Dormir 9. Baja velocidad 10. Alta velocidad 11. Enfriamiento 12. Ventilador
- 13. dehumidificación 14. Agua llena

Cuando la máquina se enchufa por primera vez, el zumbador sonará y la máquina entrará en estado de espera.

1. **Tecla de ENCENDIDO:** Presione esta tecla para encender y apagar la unidad.

2. **Tecla de MODO:** Cuando la unidad está encendida, presione esta tecla para cambiar entre ENFRIAMIENTO → DESHUMIDIFICACIÓN → VENTILADOR.

3. **Tecla de TIEMPO:** Cuando la unidad esté encendida, presione la tecla para cerrar el temporizador; Cuando la unidad esté apagada, presione la tecla para abrir el temporizador.

Presione la tecla, cuando el símbolo del temporizador parpadee, presione la tecla arriba y abajo para seleccionar el valor del temporizador requerido.

Los valores del temporizador se pueden configurar en 1-24 horas y el valor del temporizador se ajusta hacia arriba o hacia abajo en una hora.

4. **Tecla ABAJO:** En modo temporizador, presione esta tecla para ajustar el temporizador hacia abajo.

En el modo de enfriamiento, presione esta tecla para ajustar la temperatura más baja.

Esta función no está disponible en el modo VENTILADOR y en el modo DESHUMIDIFICACIÓN.

5. **Tecla ARRIBA:** En modo temporizador, presione esta tecla para ajustar el tiempo hacia arriba.

En el modo de enfriamiento, presione esta tecla para ajustar la temperatura más alta.

Esta función no está disponible en el modo VENTILADOR y en el modo DESHUMIDIFICACIÓN.

6. **Tecla VELOCIDAD DEL VENTILADOR:** En modo refrigeración y ventilador, presione esta tecla para seleccionar velocidad alta, baja. Esta función no está disponible en modo SLEEP y modo DESHUMIDIFICACIÓN.

7. **Tecla SWING:** Pulse el botón swing para cambiar la orientación de las lamas para dirigir el aire.

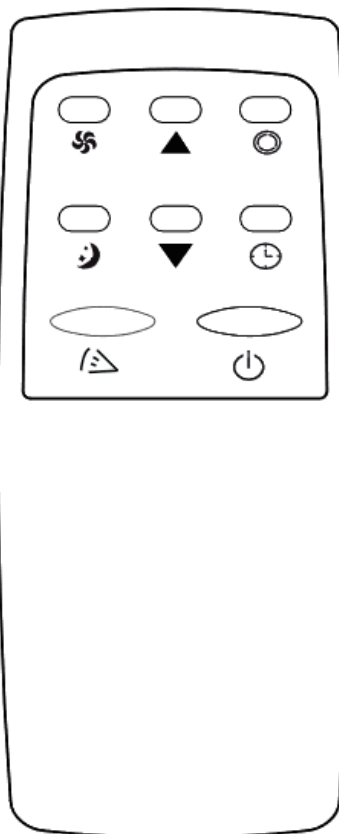
8. **Tecla SLEEP:** cuando la alimentación está encendida y en modo de enfriamiento, presione el botón 'SLEEP' para iniciar el modo de suspensión. En el modo de suspensión, la velocidad del VENTILADOR está configurada en BAJA y no es ajustable. El modo SLEEP se puede cancelar presionando el botón. La función no se puede activar en el modo de suspensión en el modo de deshumidificación o ventilador.

9. **LUZ AMBIENTE:** Mientras la unidad esté funcionando, la luz ambiental se encenderá para reflejar cada modo o condición.

- Modo Aire Acondicionado, se iluminará con luz **azul**.
- Modo ventilador, se iluminará con luz **blanca**.
- Modo Deshumidificación, se iluminará con luz **verde**.

Cuando hay exceso de condensación de agua dentro de la unidad, el aire acondicionado deja de funcionar y se iluminará con una luz **roja**.

Para ENCENDER/APAGAR la luz ambiente presione "SLEEP" durante 3 segundos.



2. Instrucciones de operación del control remoto

El acondicionador de aire se puede controlar con el control remoto. Se requieren dos pilas AAA para usar el control remoto.

ENCENDIDO (símbolo de encendido): Presione el botón de ENCENDIDO para encender y apagar la unidad.

MODO (círculo con una línea horizontal): Presione el botón MODO para cambiar entre los modos de enfriamiento, deshumidificación y ventilador.

ARRIBA (triángulo negro hacia arriba): Presione el botón ARRIBA para aumentar la temperatura deseada y establecer la duración del temporizador.

ABAJO (triángulo negro hacia abajo): Presione el botón ABAJO para reducir la temperatura deseada y establecer la duración del temporizador.

VENTILADOR (símbolo de ventilador): Presione el botón VENTILADOR para alternar entre velocidades de ventilador altas y bajas.

TEMPORIZADOR (reloj): Pulse el botón TEMPORIZADOR para establecer la duración del temporizador de encendido o apagado.

GIRO (triángulo negro hacia arriba y a la izquierda): Presione el botón de giro para cambiar la orientación de las rejillas para dirigir el aire.

MODO DE ESPERA (símbolo de luna creciente): Presione para activar el modo de suspensión. La unidad funcionará con lógica de ahorro de energía y la velocidad de ventilador más baja.

IV. Función de protección

1: Función de protección contra heladas:

En el modo de refrigeración, si la temperatura del sensor de la tubería de EVA es demasiado baja, la unidad entrará automáticamente en estado de protección; si la temperatura del sensor de la tubería de EVA aumenta a cierta temperatura, puede volver automáticamente al funcionamiento normal.

2: Función de protección contra desbordamiento:

Cuando el agua en la bandeja de agua excede el nivel de advertencia, la unidad automáticamente hará sonar una alarma y la luz indicadora "FULL" parpadeará. En este punto, debe drenar el agua (véanse los detalles en Instrucciones de drenaje al final de este capítulo). Después de vaciar el agua, la unidad volverá automáticamente al estado original.

3: Función de protección del compresor

Para aumentar la vida útil del compresor, tiene una función de protección de arranque de retraso de 3 minutos después de que se apaga el compresor.

V. Instalación y ajuste

1.Instalación :

Advertencia: antes de usar la unidad, manténgala en posición vertical durante al menos dos horas.

La unidad se puede mover fácilmente en la habitación. En el proceso de traslado, asegúrese de que la unidad esté en posición vertical y debe colocarse sobre una superficie plana. No instale ni use la unidad en el baño u otros ambientes húmedos.

1.1 Instale el conjunto del tubo de calor (como se muestra en la Fig.1)

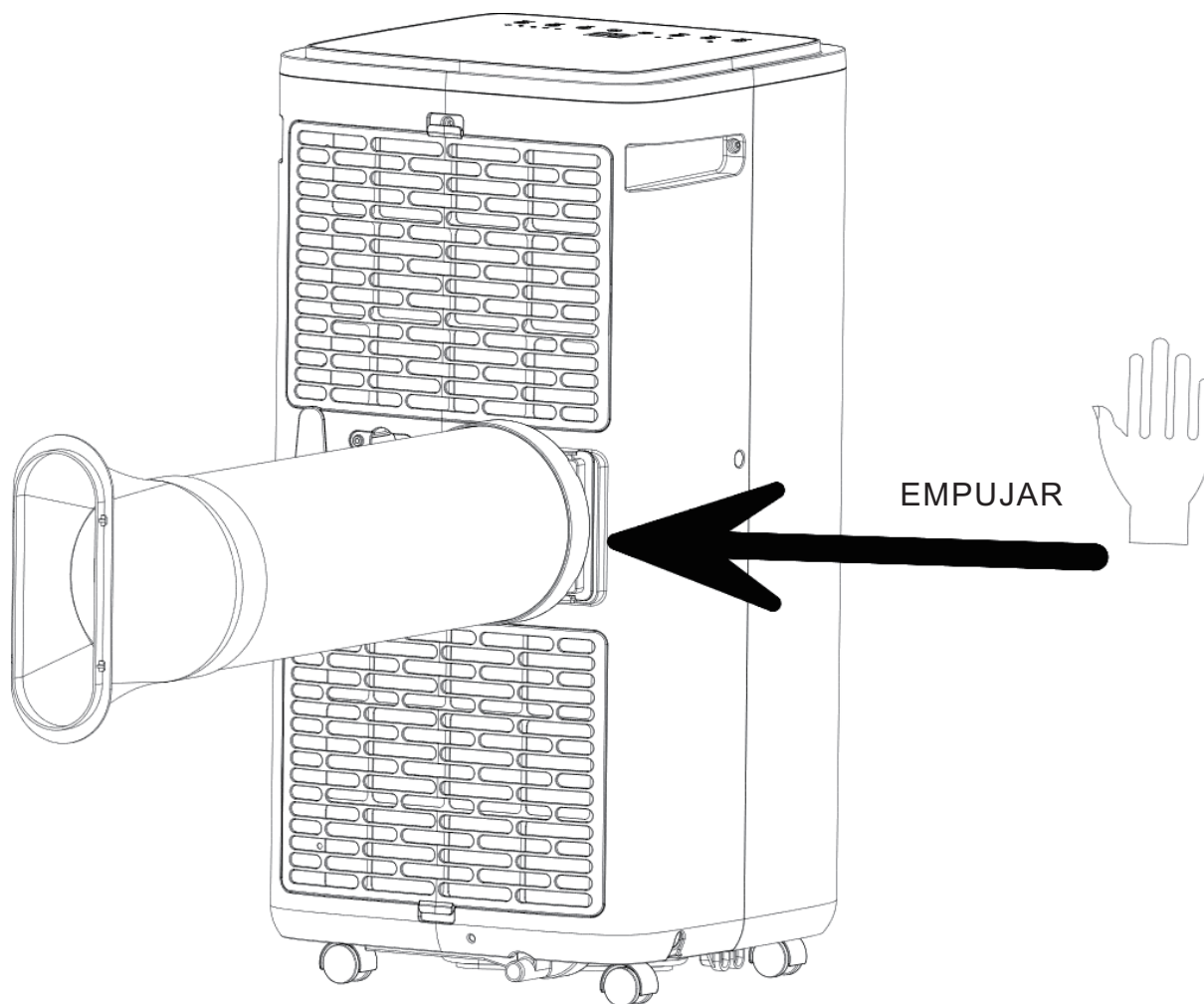


Figura 1

- 1) saque el conjunto del conector exterior y el conjunto del tubo de escape, y retire las bolsas de plástico;
- 2) inserte el conjunto del tubo de calor (el extremo de la junta de escape) en la ranura de ventilación del panel posterior (empuje hacia la izquierda) y complete el conjunto (como se muestra en la figura)

1.2 Instalación de los componentes de la placa de sellado de ventanas

- 1)
Abra la ventana a la mitad y monte el conjunto de la placa de sellado de la ventana en la ventana (como se muestra en la Fig. 2 y la Fig. 3). Los componentes se pueden colocar en dirección horizontal y vertical.
- 2)
Abra varios componentes del conjunto de la placa de sellado de la ventana, ajuste su distancia de apertura para que ambos extremos del conjunto entren en contacto con el marco de la ventana y fije varios componentes del conjunto.
- 3)

Instale el conjunto de la placa de sellado de la ventana

Notas: 1: El extremo plano de las uniones del tubo de escape debe encajar en su lugar.

2: La tubería no puede estar deformada ni tener giros sustanciales (mayores a 45°). Mantenga la ventilación del tubo de escape desbloqueada.

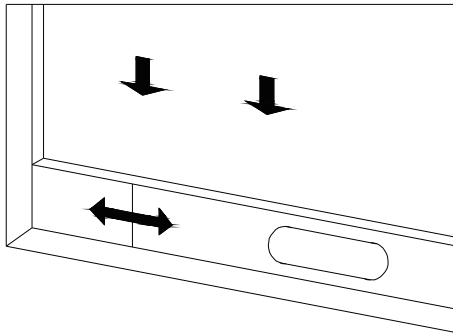


Figura 2

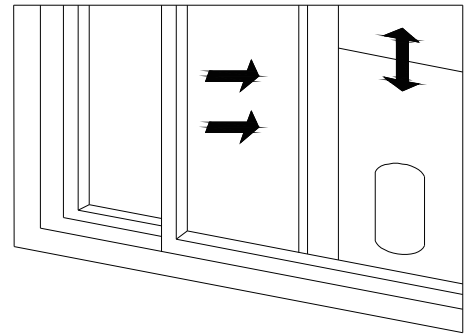


Figura 3

4) Mueva la unidad con el tubo de calor y los accesorios instalados antes de la ventana, y la distancia entre el cuerpo y las paredes u otros objetos debe ser de al menos 50 cm (como se muestra en la Fig.

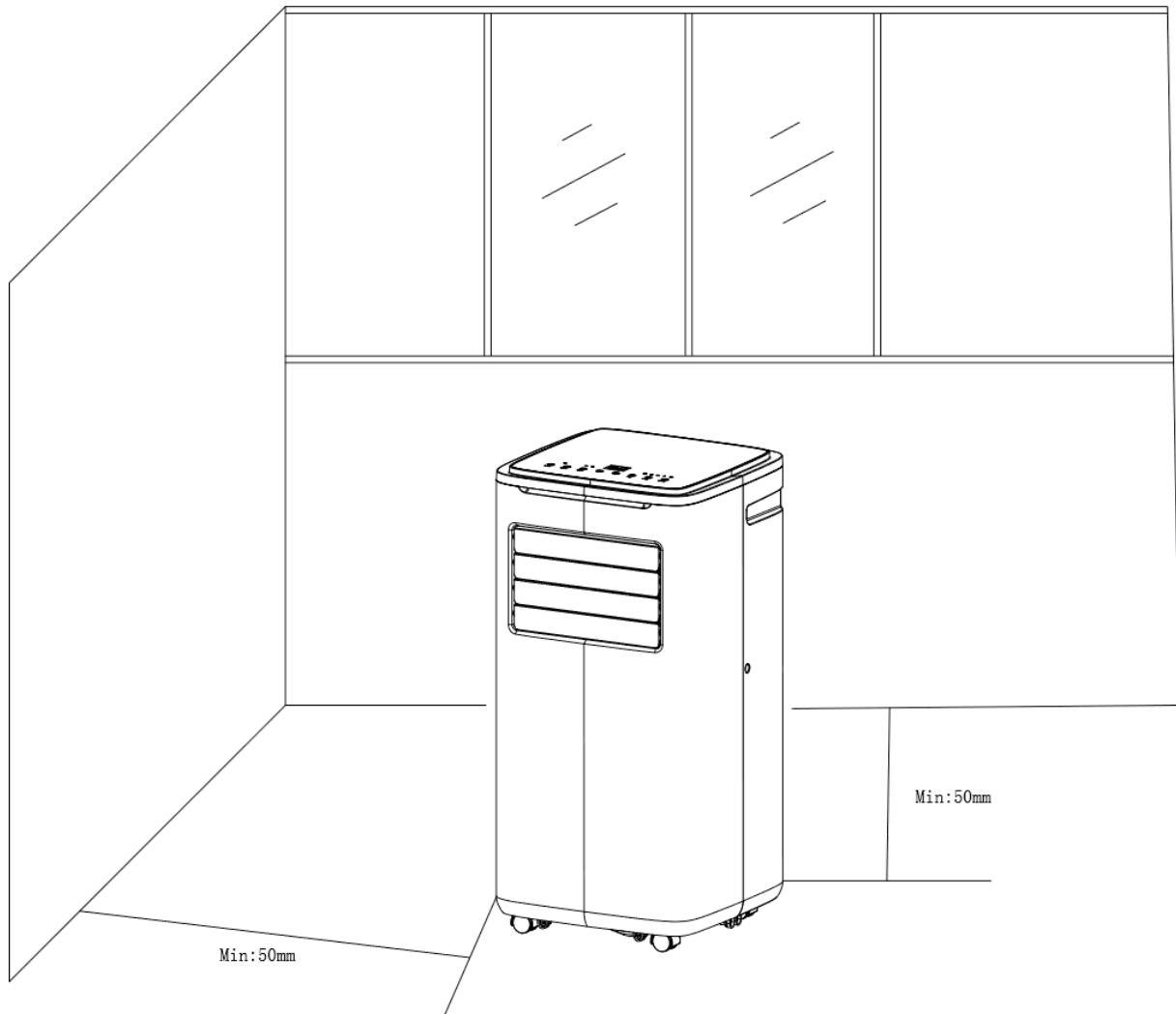


Figura 4

5)

Alargue el tubo de escape y encaje el extremo plano de las uniones del tubo de escape en el orificio del conjunto de la placa de sellado de la ventana (como se muestra en la Fig. 5 y la Fig. 6).

Notas : 1: El extremo plano de las juntas del tubo de escape debe encajar en su lugar.

2: La tubería no puede estar deformada ni tener giros sustanciales (mayores a 45°). Mantenga la ventilación del tubo de escape desbloqueada.

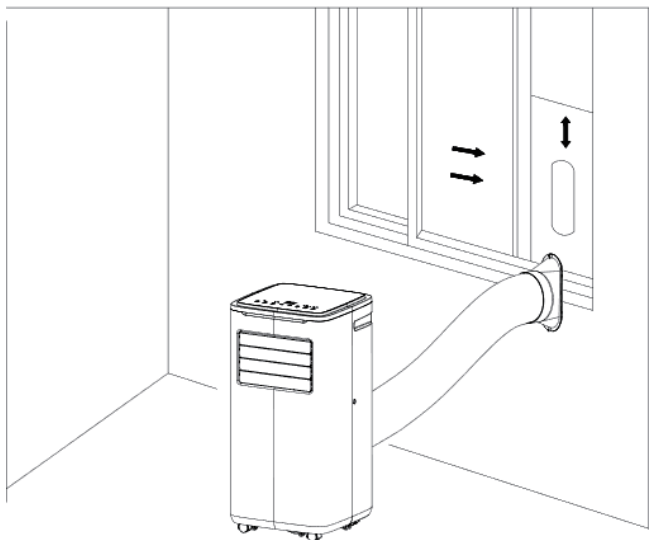


Figure 5

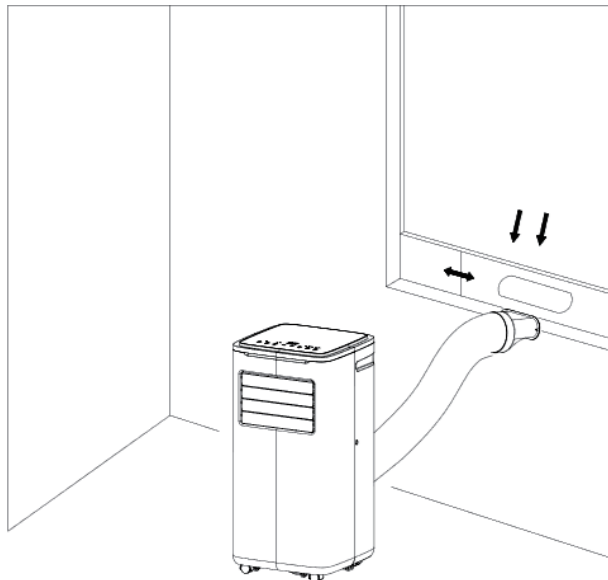


Figure 6

Importante:

La longitud de la manguera de escape debe ser de 280 a 1500 mm, y esta longitud se basa en las especificaciones de la unidad. No use tubos de extensión ni los reemplace con otras mangueras diferentes, ya que esto puede causar un mal funcionamiento. El host de escape debe estar desbloqueado; de lo contrario, puede causar un sobrecalentamiento.

VI. Instrucciones de drenaje

Esta unidad tiene dos métodos de drenaje: drenaje manual y drenaje continuo.

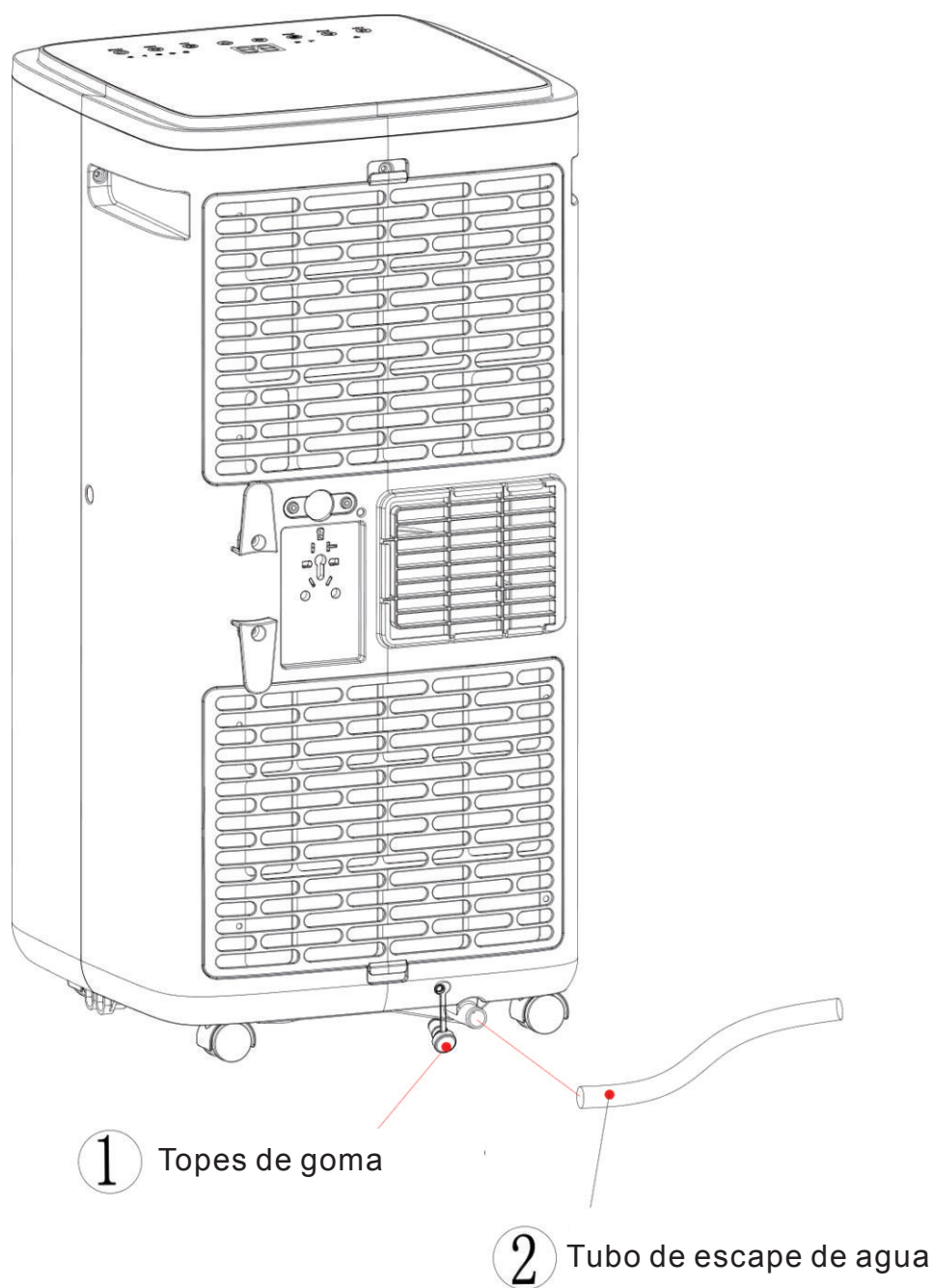
1. Drenaje manual:

1) Cuando la unidad se detenga después de que el agua esté llena, apague la unidad y desenchúfela.

Notas : Mueva la unidad con cuidado para no derramar el agua en la bandeja de agua en la parte inferior del cuerpo.

2) Coloque el recipiente de agua debajo de la salida de agua lateral detrás del cuerpo.

Desenchufe el tapón de agua, el agua fluirá automáticamente hacia el contenedor de agua.

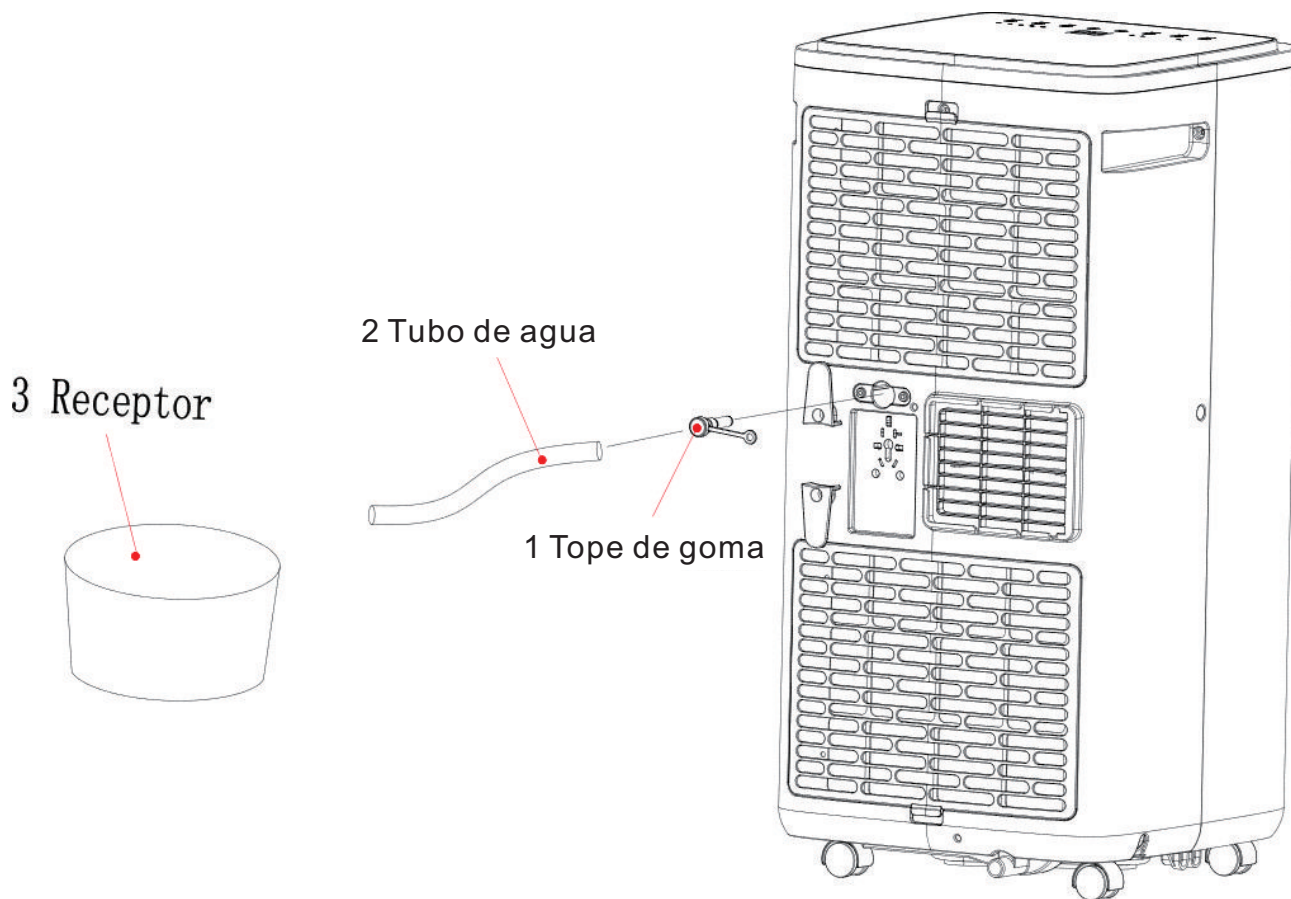


Notas :

- 1) Mantenga la tapa de drenaje y el tapón de agua correctamente.
- 2) Durante el drenaje, el cuerpo puede inclinarse ligeramente hacia atrás.
- 3) Si el contenedor de agua no puede contener toda el agua, antes de que el contenedor de agua esté lleno, inserte la salida de agua con el tapón de agua lo antes posible para evitar que el agua fluya hacia el piso o la alfombra.
- 4) Cuando se descargue el agua, inserte el tapón de agua y apriete la cubierta de drenaje.

1. Drenaje continuo (Opcional) (solo aplicable al modo de deshumidificación), como se muestra en la figura:

- 1) Desenchufe el tapón de agua.
- 2) Coloque la tubería de drenaje en la salida de agua.
- 3) Conectar el tubo de desagüe al balde.



VII. Mantenimiento

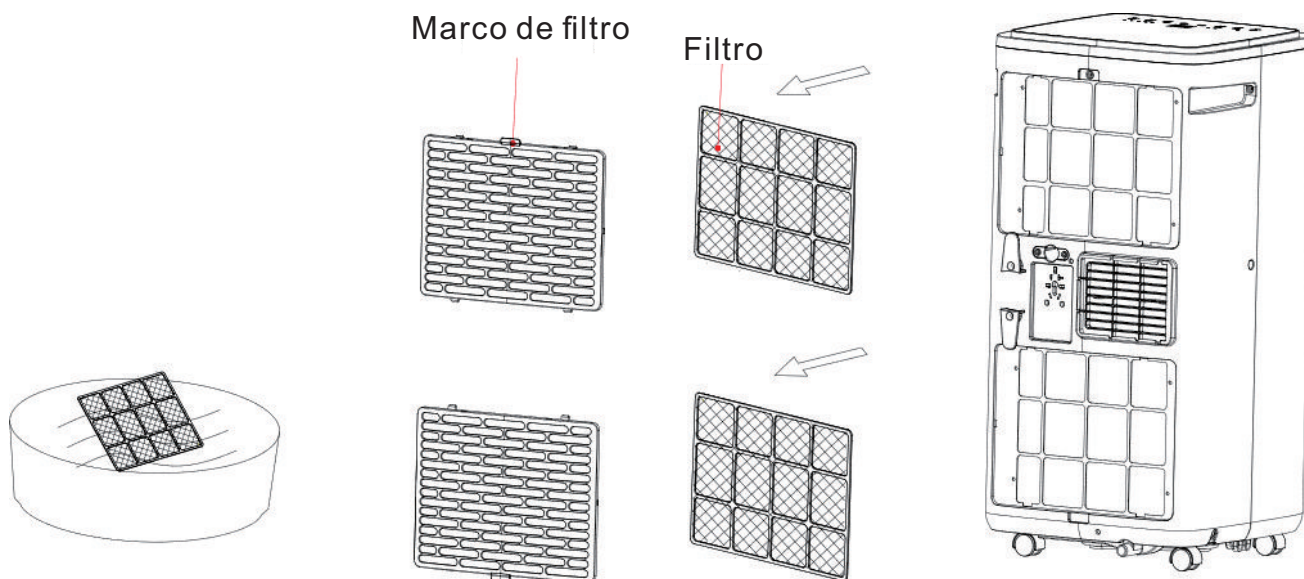
Limpeza: antes de la limpieza y el mantenimiento, apague la unidad y desconecte el enchufe.

1. Limpiar la superficie

Limpe la superficie de la unidad con un paño suave húmedo. No utilice productos químicos, como benceno, alcohol, gasolina, etc.; de lo contrario, se dañará la superficie de la unidad o incluso se dañará toda la unidad.

2. Limpiar la pantalla del filtro

Si la malla del filtro está obstruida con polvo y la eficacia de la unidad se reduce, asegúrese de limpiar la malla del filtro una vez cada dos semanas.



3. Limpie el marco de la pantalla del filtro superior
Desatornille un tornillo fijado por la red de filtro EVA y la carcasa trasera con un destornillador y saque la red de filtro EVA. Coloque la pantalla del filtro EVA en agua tibia con detergente neutro (alrededor de 40 °C / 104 °F) y séquela a la sombra después de enjuagar.

VIII. Unidad de almacenamiento:

1: Desenrosque la tapa de drenaje, desenchufe el tapón de agua y descargue el agua de la bandeja de agua en otros recipientes de agua o incline directamente el cuerpo para descargar el agua en otros recipientes.

2: Encienda la unidad, ajústela al modo de ventilación de viento bajo y mantenga este estado hasta que la tubería de drenaje se seque, para mantener el interior del cuerpo seco y evitar que se forme moho.

3: Apague la unidad, desconecte el enchufe y enrolle el cable de alimentación alrededor del poste de envoltura; instale el tapón de agua y la cubierta de drenaje.

4: Retire el tubo y guárdelo correctamente.

5: Cubra la unidad con una bolsa de plástico. Guarde la unidad en un lugar seco, manténgala fuera del alcance de los niños y tome medidas para controlar el polvo.

6: Quite las pilas del mando a distancia y guárdelas correctamente.

Nota: Asegúrese de colocar el cuerpo en un lugar seco y mantenga todos los componentes correctamente.

IX. Resolución de problemas

1. Información sobre el servicio

1) Comprobación de la zona

Antes de comenzar a trabajar en sistemas que contienen refrigerantes inflamables, es necesario realizar comprobaciones de seguridad para garantizar que se minimice el riesgo de ignición. Para reparar el sistema de refrigeración, se deben cumplir las siguientes precauciones antes de realizar trabajos en el sistema.

2) Procedimiento de trabajo

El trabajo se llevará a cabo bajo un procedimiento controlado para minimizar el riesgo de que un gas o vapor inflamable esté presente mientras se realiza el trabajo.

3) Área de trabajo general

Todo el personal de mantenimiento y otras personas que trabajen en el área local deberán recibir instrucciones sobre la naturaleza del trabajo que se está realizando. Se evitará el trabajo en espacios confinados. El área alrededor del espacio de trabajo deberá ser seccionada. Asegúrese de que las condiciones dentro del área sean seguras mediante el control de material inflamable.

4) Comprobación de la presencia de refrigerante

El área debe revisarse con un detector de refrigerante apropiado antes y durante el trabajo, para garantizar que el técnico esté al tanto de las atmósferas potencialmente inflamables. Asegúrese de que el equipo de detección de fugas que se utiliza sea adecuado para su uso con refrigerantes inflamables, es decir, que no produzca chispas, esté adecuadamente sellado o sea intrínsecamente seguro.

5) Presencia de extintor

Si se va a realizar algún trabajo en caliente en el equipo de refrigeración o cualquier parte asociada, se debe tener a mano el equipo de extinción de incendios adecuado. Tenga un extintor de incendios de polvo seco o CO₂ junto al área de carga.

6) Sin fuentes de ignición

Ninguna persona que realice trabajos en relación con un sistema de refrigeración que implique exponer cualquier tubería que contenga o haya contenido refrigerante inflamable deberá utilizar fuentes de ignición de tal manera que pueda

generar riesgo de incendio o explosión. Todas las posibles fuentes de ignición, incluido el tabaquismo, deben mantenerse lo suficientemente lejos del lugar de instalación, reparación, remoción y eliminación, durante el cual es posible que se libere refrigerante inflamable al espacio circundante. Antes de que se lleve a cabo el trabajo, se debe inspeccionar el área alrededor del equipo para asegurarse de que no haya peligros inflamables o riesgos de ignición. Se exhibirán carteles de "Prohibido fumar".

7) Área ventilada

Asegúrese de que el área esté al aire libre o que esté adecuadamente ventilada antes de ingresar al sistema o realizar cualquier trabajo en caliente. Un cierto grado de ventilación deberá continuar durante el período que se lleve a cabo el trabajo. La ventilación debe dispersar de manera segura cualquier refrigerante liberado y, preferiblemente, expulsarlo externamente a la atmósfera.

8) Verificaciones a los equipos de refrigeración

Cuando se cambien componentes eléctricos, deberán ser aptos para el propósito y con las especificaciones correctas. En todo momento se seguirán las pautas de mantenimiento y servicio del fabricante. En caso de duda consulte con el departamento técnico del fabricante para obtener ayuda.

Las siguientes comprobaciones se aplicarán a las instalaciones que utilicen refrigerantes inflamables:

- El tamaño de la carga está de acuerdo con el tamaño de la habitación dentro de la cual se instalan las piezas que contienen refrigerante;
- La maquinaria de ventilación y las salidas funcionan adecuadamente y no están obstruidas;
- Si se utiliza un circuito de refrigeración indirecto, se debe verificar la presencia de refrigerante en el circuito secundario;
- El marcado del equipo sigue siendo visible y legible. Se corregirán las marcas y señales que resulten ilegibles;
- La tubería o los componentes de refrigeración están instalados en una posición en la que es poco probable que estén expuestos a cualquier sustancia que pueda corroer los componentes que contienen refrigerante, a menos que los componentes estén contruidos con materiales que son inherentemente resistentes a la corrosión o que estén adecuadamente protegidos contra la corrosión.

9) Comprobaciones a aparatos eléctricos

La reparación y el mantenimiento de los componentes eléctricos incluirán comprobaciones de seguridad iniciales y procedimientos de inspección de los componentes. Si existe una falla que pueda comprometer la seguridad, no se conectará ningún suministro eléctrico al circuito hasta que se resuelva satisfactoriamente. Si la falla no se puede corregir inmediatamente, pero es necesario continuar con la operación, se utilizará una solución temporal adecuada. Esto se informará al propietario del equipo para que todas las partes estén informadas.

Los controles de seguridad iniciales incluirán:

Que se descarguen los capacitores: esto debe hacerse de manera segura para evitar la posibilidad de chispas;

Que no haya cables ni componentes eléctricos vivos expuestos mientras se carga, recupera o purga el sistema;

Que haya continuidad de puesta a tierra.

2. Reparaciones de componentes sellados

1) Durante las reparaciones de los componentes sellados, todos los suministros eléctricos deben desconectarse del equipo en el que se está trabajando antes de quitar las cubiertas selladas, etc. Si es absolutamente necesario tener un

suministro eléctrico al equipo durante el servicio, entonces una forma de operación permanente. La detección de fugas se ubicará en el punto más crítico para advertir de una situación potencialmente peligrosa.

2) Se debe prestar especial atención a lo siguiente para garantizar que al trabajar en los componentes eléctricos, la carcasa no se altere de manera que se vea afectado el nivel de protección.

Esto incluirá daños a los cables, número excesivo de conexiones, terminales no hechas según las especificaciones originales, daños a los sellos, colocación incorrecta de prensaestopas, etc.

Asegúrese de que el aparato esté montado de forma segura.

Asegúrese de que los sellos o los materiales de sellado no se hayan degradado de tal manera que ya no sirvan para evitar el ingreso de atmósferas inflamables. Las piezas de repuesto deben estar de acuerdo con las especificaciones del fabricante. NOTA: El uso de sellador de silicona puede inhibir la eficacia de algunos tipos de equipos de detección de fugas. No es necesario aislar los componentes intrínsecamente seguros antes de trabajar en ellos.

3. Reparación de componentes intrínsecamente seguros

No aplique ninguna carga inductiva o de capacitancia permanente al circuito sin asegurarse de que esto no exceda el voltaje y la corriente permitidos para el equipo en uso.

Los componentes intrínsecamente seguros son los únicos tipos en los que se puede trabajar en presencia de una atmósfera inflamable. El aparato de prueba debe estar en la clasificación correcta.

Reemplace los componentes solo con piezas especificadas por el fabricante. Otras piezas pueden provocar la ignición del refrigerante en la atmósfera debido a una fuga.

4. Cableado

Verifique que el cableado no esté sujeto a desgaste, corrosión, presión excesiva, vibración, bordes afilados o cualquier otro efecto ambiental adverso. La verificación también deberá tener en cuenta los efectos del envejecimiento o la vibración continua de fuentes tales como compresores o ventiladores.

5. Detección de refrigerantes inflamables

Bajo ninguna circunstancia se utilizarán fuentes potenciales de ignición en la búsqueda o detección de fugas de refrigerante. No se utilizará un soplete de haluro (o cualquier otro detector que utilice una llama desnuda).

6. Métodos de detección de fugas

Los siguientes métodos de detección de fugas se consideran aceptables para sistemas que contienen refrigerantes inflamables.

Se deben usar detectores de fugas electrónicos para detectar refrigerantes inflamables, pero la sensibilidad puede no ser adecuada o puede necesitar una recalibración. (El equipo de detección debe calibrarse en un área sin refrigerante).

Asegúrese de que el detector no sea una fuente potencial de ignición y sea adecuado para el refrigerante utilizado. El equipo de detección de fugas se ajustará a un porcentaje del LFL del refrigerante y se calibrará para el refrigerante empleado y se confirmará el porcentaje apropiado de gas (25 % como máximo).

Los fluidos de detección de fugas son adecuados para usar con la mayoría de los refrigerantes, pero se debe evitar el uso de detergentes que contengan cloro, ya que el cloro puede reaccionar con el refrigerante y corroer las tuberías de cobre.

Si se sospecha de una fuga, todas las llamas descubiertas deben ser removidas/extinguidas.

Si se encuentra una fuga de refrigerante que requiere soldadura fuerte, todo el

refrigerante debe recuperarse del sistema o aislarse (por medio de válvulas de cierre) en una parte del sistema alejada de la fuga. Luego se purgará nitrógeno libre de oxígeno (OFN) a través del sistema antes y durante el proceso de soldadura fuerte.

7. Retiro y evacuación

Al entrar en el circuito de refrigerante para realizar reparaciones, o para cualquier otro propósito, se deben utilizar procedimientos convencionales. Sin embargo, es importante que se sigan las mejores prácticas ya que la inflamabilidad es una consideración. Se seguirá el siguiente procedimiento:

Retire el refrigerante;

Purgar el circuito de gas inerte;

Evacuar;

Purgar nuevamente con gas inerte;

Abrir el circuito mediante corte o soldadura fuerte.

La carga de refrigerante se recuperará en los cilindros de recuperación correctos. El sistema se debe "lavar" con OFN para que la unidad sea segura. Es posible que este proceso deba repetirse varias veces. No se utilizará aire comprimido u oxígeno para esta tarea.

El enjuague se logrará rompiendo el vacío en el sistema con OFN y continuando con el llenado hasta que se logre la presión de trabajo, luego venteadando a la atmósfera y finalmente bajando al vacío. Este proceso se repetirá hasta que no quede refrigerante en el sistema. Cuando se usa la carga final de OFN, el sistema debe ventilarse a la presión atmosférica para permitir que se realice el trabajo. Esta operación es absolutamente vital si se van a realizar operaciones de soldadura fuerte en las tuberías.

Asegúrese de que la salida de la bomba de vacío no esté cerca de ninguna fuente de ignición y que haya ventilación disponible.

8. Procedimiento de carga

Además de los procedimientos de carga convencionales, se deben seguir los siguientes requisitos.

– Asegúrese de que no se produzca la contaminación de diferentes refrigerantes al utilizar el equipo de carga. Las mangueras o líneas deberán ser lo más cortas posible para minimizar la cantidad de refrigerante que contienen.

– Los cilindros se mantendrán en posición vertical.

– Asegúrese de que el sistema de refrigeración esté conectado a tierra antes de cargar el sistema con refrigerante.

– Etiquete el sistema cuando la carga esté completa (si aún no lo está).

– Se debe tener extremo cuidado de no sobrellenar el sistema de refrigeración.

Antes de recargar el sistema, deberá someterse a una prueba de presión con OFN. El sistema se someterá a una prueba de fugas al finalizar la carga, pero antes de la puesta en servicio. Se debe realizar una prueba de fugas de seguimiento antes de abandonar el sitio.

9. Desmantelamiento

Antes de realizar este procedimiento, es fundamental que el técnico esté completamente familiarizado con el equipo y todos sus detalles. Se recomienda como buena práctica que todos los refrigerantes se recuperen de forma segura. Antes de realizar la tarea, se tomará una muestra de aceite y refrigerante en caso de que se requiera un análisis previo a la reutilización del refrigerante recuperado. Es esencial que haya energía eléctrica disponible antes de comenzar la tarea.

a) Familiarizarse con el equipo y su funcionamiento.

b) Aislar eléctricamente el sistema.

c) Antes de intentar el procedimiento asegúrese de que:

El equipo de manejo mecánico está disponible, si es necesario, para manejo de cilindros de refrigerante;

Todo el equipo de protección personal está disponible y se usa correctamente;

El proceso de recuperación es supervisado en todo momento por una persona competente;

Los equipos y cilindros de recuperación se ajustan a las normas correspondientes.

d) Bombeo el sistema de refrigerante, si es posible.

e) Si no es posible un vacío, haga un colector para que el refrigerante pueda ser removido de varias partes del sistema.

f) Asegúrese de que el cilindro esté situado en la báscula antes de que tenga lugar la recuperación.

g) Poner en marcha la máquina de recuperación y operar de acuerdo con las instrucciones del fabricante.

h) No sobrellene los cilindros. (No más del 80 % de volumen de carga de líquido).

i) No exceder la presión máxima de trabajo del cilindro, ni siquiera temporalmente.

j) Cuando los cilindros se hayan llenado correctamente y se haya completado el proceso, asegúrese de que los cilindros y el equipo se retiren del sitio de inmediato y que todas las válvulas de aislamiento del equipo estén cerradas.

k) El refrigerante recuperado no se cargará en otro sistema de refrigeración a menos que haya sido limpiado y revisado.

10. Etiquetado

El equipo debe estar etiquetado indicando que ha sido puesto fuera de servicio y vaciado de refrigerante. La etiqueta debe estar fechada y firmada. Asegúrese de que haya etiquetas en el equipo que indiquen que el equipo contiene refrigerante inflamable.

11. Recuperación

Cuando se extrae refrigerante de un sistema, ya sea para mantenimiento o desmantelamiento, se recomienda como buena práctica que todos los refrigerantes se extraigan de forma segura.

Cuando transfiera refrigerante a los cilindros, asegúrese de que solo se utilicen cilindros de recuperación de refrigerante apropiados. Asegúrese de que esté disponible el número correcto de cilindros para mantener la carga total del sistema. Todos los cilindros que se utilizarán están designados para el refrigerante recuperado y etiquetados para ese refrigerante (es decir, cilindros especiales para la recuperación de refrigerante). Los cilindros deben estar completos con válvula de alivio de presión y válvulas de cierre asociadas en buen estado de funcionamiento. Los cilindros de recuperación vacíos se evacúan y, si es posible, se enfrían antes de que se produzca la recuperación.

El equipo de recuperación deberá estar en buen estado de funcionamiento con un conjunto de instrucciones sobre el equipo que se tiene a mano y deberá ser adecuado para la recuperación de refrigerantes inflamables. Además, se dispondrá de un juego de balanzas calibradas y en buen estado de funcionamiento. Las mangueras deben estar completas con acoplamientos de desconexión sin fugas y en buenas condiciones. Antes de usar la máquina de recuperación, verifique que esté en condiciones de funcionamiento satisfactorias, que se haya mantenido correctamente y que todos los componentes eléctricos asociados estén sellados para evitar la ignición en caso de una fuga de refrigerante. Consultar fabricante en caso de duda.

El refrigerante recuperado se devolverá al proveedor de refrigerante en el cilindro de recuperación correcto y se preparará la correspondiente Nota de Transferencia de Residuos. No mezcle refrigerantes en unidades de recuperación y especialmente no en cilindros.

Si se van a quitar compresores o aceites de compresores, asegúrese de que hayan

sido evacuados a un nivel aceptable para asegurarse de que no quede refrigerante inflamable dentro del lubricante. El proceso de evacuación se realizará antes de devolver el compresor a los proveedores. Solo se empleará calefacción eléctrica en el cuerpo del compresor para acelerar este proceso. Cuando se drene aceite de un sistema, se debe realizar de manera segura.

Parámetros de fusibles de la máquina

Tipo: 5TE or 5ET or 5H or 5N Voltaje: 250V Corriente: 3.15 A

A. Unidad de almacenamiento:

1: Desenrosque la cubierta de drenaje, desenchufe el tapón de agua y descargue el agua en la bandeja de agua en otra agua recipientes o inclinar directamente el cuerpo para descargar el agua en otros recipientes.

2: Encienda la máquina, ajústela al modo de ventilación de viento bajo y mantenga este estado hasta que la tubería de drenaje se vuelva seco, para mantener el interior del cuerpo en un estado seco y evitar que se forme moho.

3: Apague la máquina, desconecte el enchufe de alimentación y enrolle el cable de alimentación alrededor del poste de envoltura; instalar el agua tapón y la tapa de drenaje.

4: Retire el tubo de escape y manténgalo correctamente.

5: Cubra el aire acondicionado con una bolsa de plástico. Coloque el aire acondicionado en un lugar seco, manténgalo fuera del alcance de los niños y tome medidas para controlar el polvo.

6: Retire las pilas del mando a distancia y guárdelas correctamente.

Nota: asegúrese de colocar el cuerpo en un lugar seco y mantenga todos los componentes de la máquina correctamente.

IX. Troubleshooting

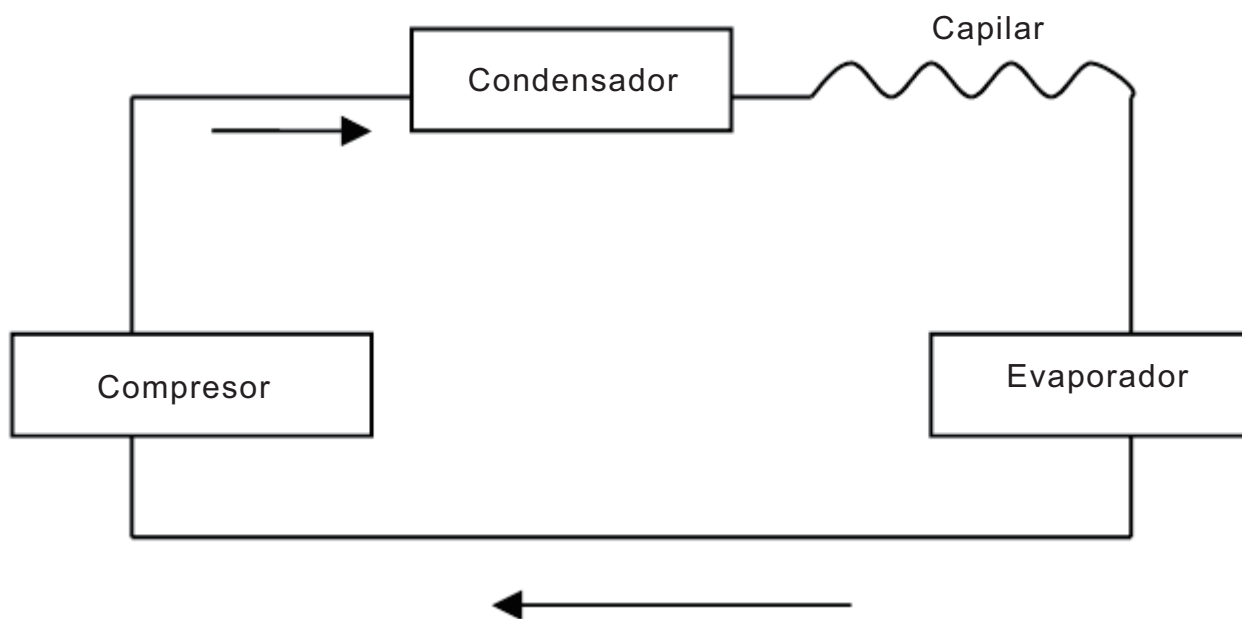
Do not repair or disassemble the air conditioning by yourself. Unqualified repair will lead to failure of the warranty card, and may cause damage to users or their properties.

Problemas	Motivos	Soluciones
El aire acondicionado o no funciona	No hay electricidad	Enciéndalo después de conectarlo a un enchufe con electricidad.
	El indicador de agua llena se encenderá.	Descarga el agua del interior.
	La temperatura ambiente es demasiado baja o demasiado alta	Recomendamos usar la máquina a una temperatura de 7-35 °C.
	En el modo de refrigeración, la temperatura ambiente es inferior a la temperatura establecida	Cambie la temperatura establecida.
	En el modo de deshumidificación, la temperatura ambiente es baja.	La máquina se coloca en una habitación con una temperatura ambiente superior a 17 °C.
El efecto de enfriamiento no es bueno	Hay luz solar directa.	Tire de la cortina.
	Las puertas o ventanas están abiertas; hay mucha gente; o en modo refrigeración, existen otras fuentes de calor.	Cierre puertas y ventanas, y agregue aire acondicionado nuevo.
	La pantalla del filtro está sucia.	Limpie o reemplace la pantalla del filtro.
	La entrada o salida de aire está bloqueada.	Despeje las obstrucciones.
Ruido fuerte	El aire acondicionado no está colocado sobre una superficie plana.	Coloque el aire acondicionado en un lugar plano y duro (para reducir el ruido).
El compresor no funciona	Comienza la protección contra heladas.	Espere 3 minutos hasta que baje la temperatura y luego reinicie la máquina.
	Se inicia la protección contra sobrecalentamiento.	
El control remoto no funciona	La distancia entre la máquina y el control remoto es demasiado grande.	Deje que el control remoto se acerque al aire acondicionado y asegúrese de que el control remoto mire directamente en la dirección del receptor del control remoto.
	El control remoto no está alineado con la dirección del receptor del control remoto.	
	Las baterías están agotadas.	Reemplace las baterías.
Muestra 'E1'.	El sensor de temperatura ambiente es anormal.	Verifique el sensor de temperatura ambiente y los circuitos relacionados.
Muestra 'E2'	El sensor de temperatura de la tubería es anormal.	Verifique el sensor de temperatura de la tubería y los circuitos relacionados.

Nota: Si ocurren problemas que no aparecen en la tabla o si las soluciones recomendadas no funcionan, comuníquese con la organización de servicio profesional.

X.Anexo**Diagrama esquemático para aire acondicionado**

(Los parámetros técnicos específicos de la máquina estarán sujetos a la placa de identificación del producto)



Tratamiento: No junte la máquina abandonada con otros residuos sin clasificar. Dichos residuos se colocarán por separado para otros usos especiales.

I. Atenção

Avisos importantes:

1. Não utilizar meios para acelerar o processo de descongelamento ou para a limpeza, para além dos recomendado pelo fabricante.
2. O aparelho deve ser armazenado numa sala sem fontes de ignição em funcionamento contínuo. (por exemplo: chamas abertas, um aparelho a gás em funcionamento ou um aquecedor eléctrico em funcionamento).
3. Não perfurar ou queimar.
4. Ter em atenção que os refrigerantes podem não conter odor.
5. O aparelho deve ser instalado, operado e armazenado numa sala com uma área de chão superior a 11m²
7. Manter todas as aberturas de ventilação necessárias livres de obstrução;
8. A manutenção deve ser efectuada apenas como recomendado pelo fabricante.
9. O aparelho deve ser armazenado numa área bem ventilada, onde a dimensão da sala corresponda para a área da sala, conforme especificado para a operação.
10. Qualquer pessoa que esteja envolvida no trabalho ou na quebra de um circuito de refrigerante deve possuir actualmente um certificado válido de uma autoridade de avaliação acreditada pela indústria, que autoriza a sua competência para manusear refrigerantes em segurança de acordo com uma indústria especificação de avaliação reconhecida.
11. A manutenção só deve ser efectuada como recomendado pelo fabricante do equipamento.
A manutenção e reparação que exija a assistência de outro pessoal qualificado deve ser transportada sob a supervisão da pessoa competente para a utilização de refrigerantes inflamáveis.
12. Todos os procedimentos de trabalho que afetem os meios de segurança devem ser executados apenas por pessoas competentes.



Notas:

*O ar condicionado só é adequado para uso interior, e não é adequado para outras aplicações.

*Seguir as regras de conexão à rede local durante a instalação do ar condicionado e assegurar que este seja devidamente ligado à terra. Se tiver alguma dúvida sobre a instalação eléctrica, siga as instruções do fabricante e, se necessário, peça a um electricista profissional que o instale.

*Coloque o aparelho num local plano e seco e mantenha uma distância superior a 50cm entre a máquina e os objectos ou paredes circundantes.

*Após a instalação do ar condicionado, assegurar que a tomada está intacta e firmemente ligada à tomada, e colocar o cabo de alimentação em ordem para evitar que alguém tropece ou puxe a tomada.

*Não colocar qualquer objecto na entrada e saída de ar condicionado. Manter a entrada e a saída de ar livre de obstruções.

*Quando os tubos de drenagem estiverem instalados, certifique-se de que estão devidamente ligados, e que não estão distorcidos ou dobrados.

*Ao ajustar as lâminas de condução de vento superior e inferior da saída de ar, ajuste-as com as mãos suavemente para evitar danificar-las.

*Ao mover a máquina, certificar-se de que está na posição vertical.

*A máquina deve manter-se afastada da gasolina, gás inflamável, fogões e outras fontes de calor.

* Não desmontar, reparar e modificar a máquina arbitrariamente, caso contrário, causará um mau funcionamento da máquina ou mesmo danos a pessoas e propriedades. Para evitar o perigo, se ocorrer uma avaria da máquina, peça ao fabricante ou profissionais para a reparar.

* Não instalar e utilizar o ar condicionado na casa de banho ou em outros ambientes húmidos.

* Não puxe a tomada para desligar a máquina.

* Não colocar copos ou outros objectos sobre a estrutura para evitar o derramamento de água ou outros líquidos no ar condicionado.

* Não utilizar insecticidas pulverizadores ou outras substâncias inflamáveis perto do ar condicionado.

* Não limpar ou lavar o ar condicionado com solventes químicos, tais como gasolina e álcool. Quando precisar de limpar o ar condicionado, deve desligar a fonte de alimentação, e limpá-lo com um pano macio meio húmido. Se a máquina estiver realmente suja, limpe-a com um detergente suave.

* O aparelho pode ser utilizado por crianças a partir dos 8 anos de idade e por pessoas com capacidades físicas, sensoriais ou mentais reduzidas, se lhes tiver sido dada supervisão ou instruções relativas à utilização do aparelho de uma forma segura e compreender os perigos envolvidos. As crianças não devem brincar com o aparelho. A limpeza e a manutenção não devem ser feitas por crianças sem supervisão.

Se o cabo de alimentação for danificado, deve ser substituído pelo fabricante, pelo seu agente de serviço ou por pessoas com qualificações semelhantes, a fim de evitar um perigo.

O aparelho deve ser instalado de acordo com os regulamentos nacionais de cablagem.

Não utilizar o seu aparelho de ar condicionado numa sala húmida, tal como uma casa de banho ou lavandaria.

Transporte, identificação e armazenamento de unidades

1. Transporte de equipamento contendo refrigerantes inflamáveis

Conformidade com os regulamentos de transporte

2. Identificação do equipamento através de símbolos

Conformidade com os regulamentos locais

3. Eliminação de equipamento que utilize refrigerantes inflamáveis

Conformidade com os regulamentos nacionais

4. Armazenamento de equipamento/aplicações

O armazenamento do equipamento deve estar de acordo com as instruções do fabricante.

5. Armazenamento de equipamento embalado (não vendido)

A protecção da embalagem de armazenamento deve ser construída de modo a que os danos mecânicos ao equipamento dentro da embalagem não causará uma fuga da carga do refrigerante.

O número máximo de equipamentos que podem ser armazenados em conjunto será determinado pela regulamentação local.

II. Características e Componentes

Características

1: Nova aparência, estrutura compacta, linha lisa, forma simples e ampla.

2: Funções de refrigeração, desumidificação, fornecimento de ar e drenagem contínua

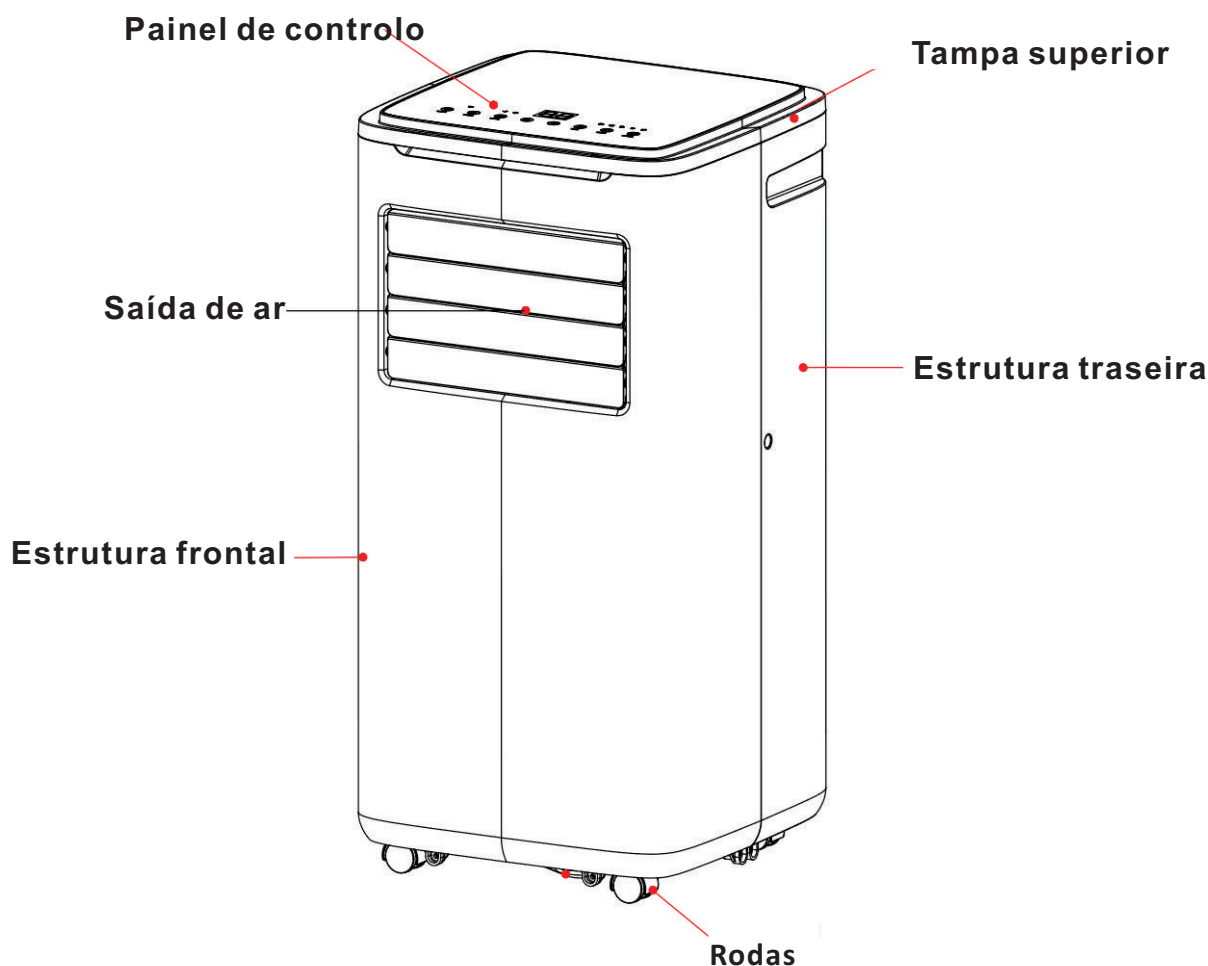
3: A interface exterior é colocada em altura para facilitar a montagem e manter o fluxo suave do tubo de calor.

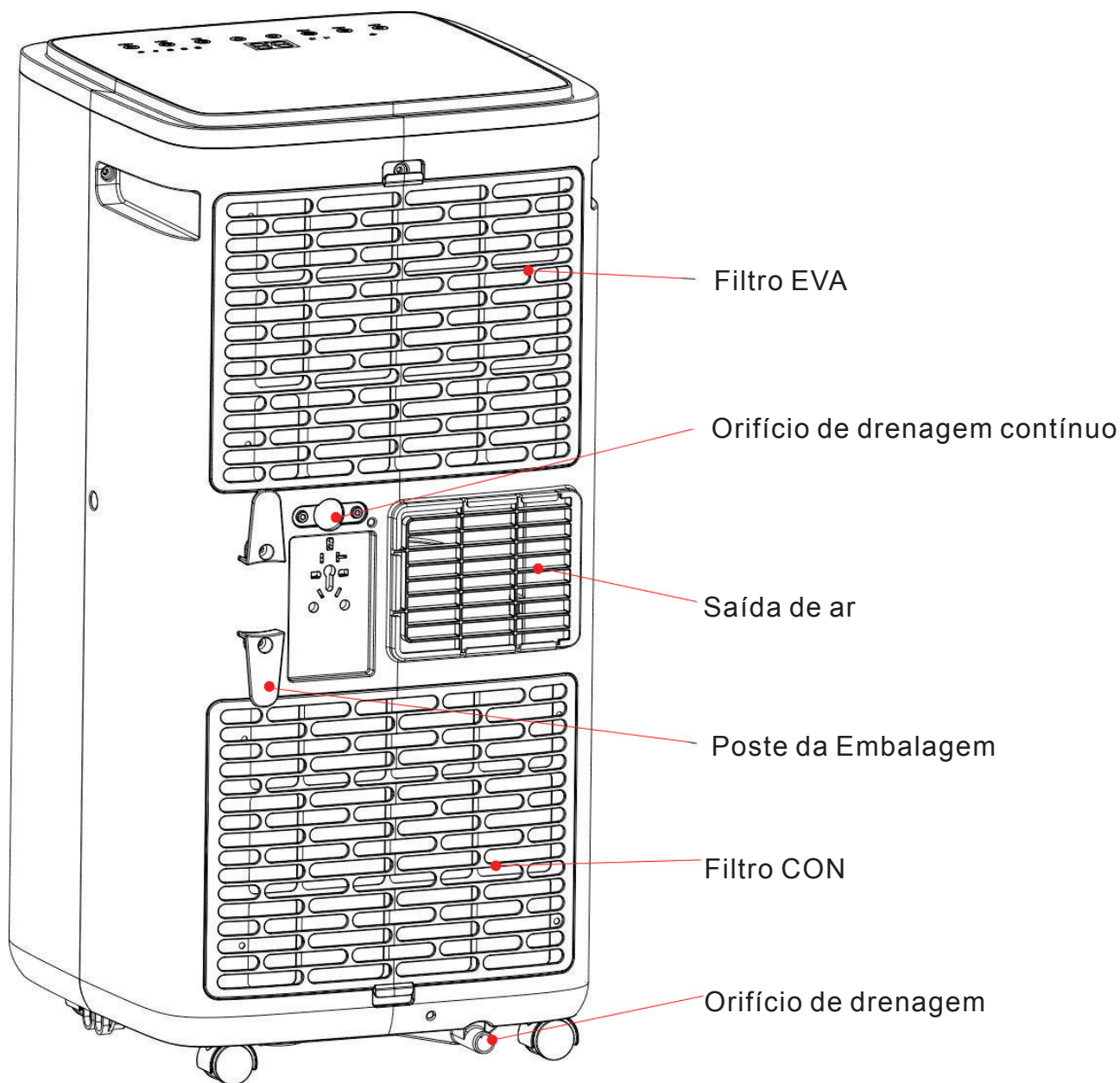
4: O indicador LED mostra o painel de controlo, bonito e na moda, com controlo remoto de alta qualidade. Adopta um desenho de controlo remoto de fácil utilização.

5: Capacidade de filtragem de ar.

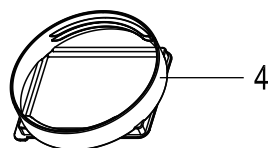
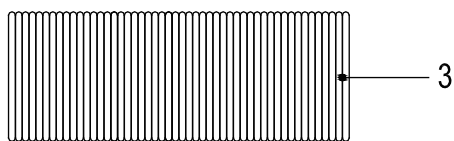
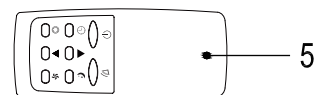
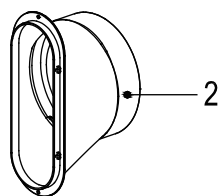
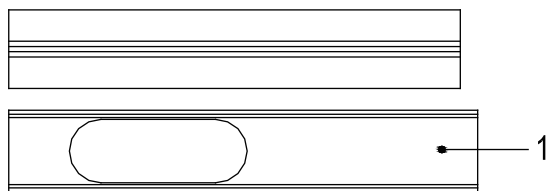
6: Função de interruptor temporizador.

7: Função de protecção de reiniciar automaticamente o compressor após três minutos, uma variedade de outras funções de protecção.





Verifique se todos os acessórios estão na caixa e leia o manual de instruções antes de montar a unidade.



1. Barra deslizante ajustável

2. Conector de barra deslizante

3. Mangueira de exaustão

4. Junta do tubo de escape

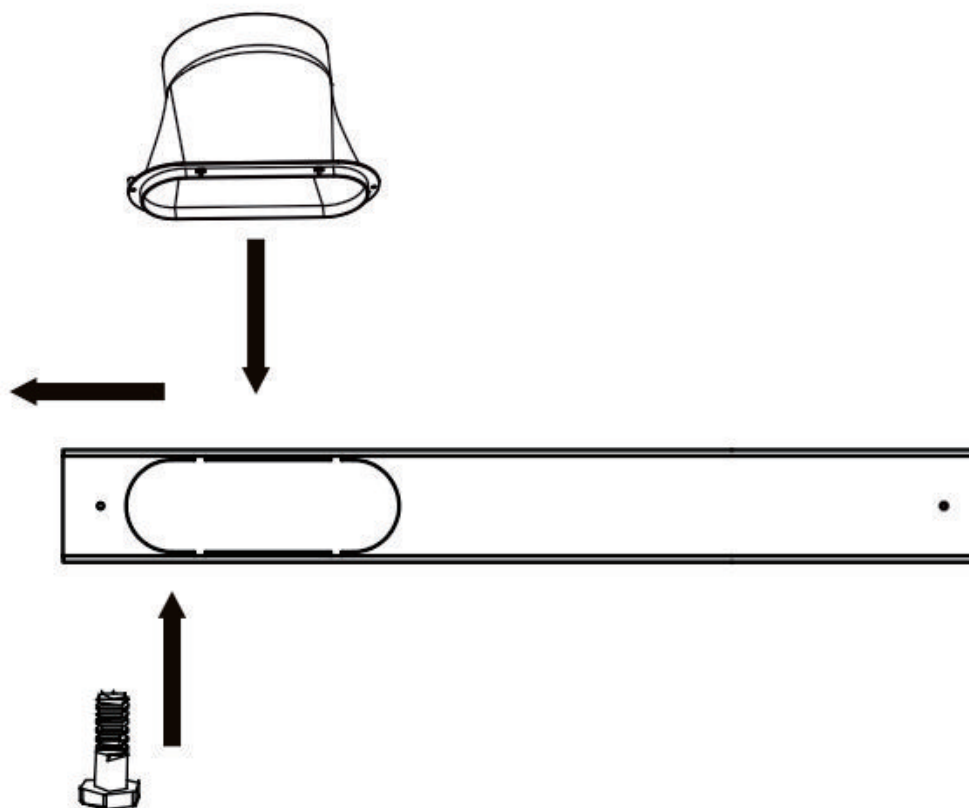
5. Controle remoto

6. Tampa de drenagem

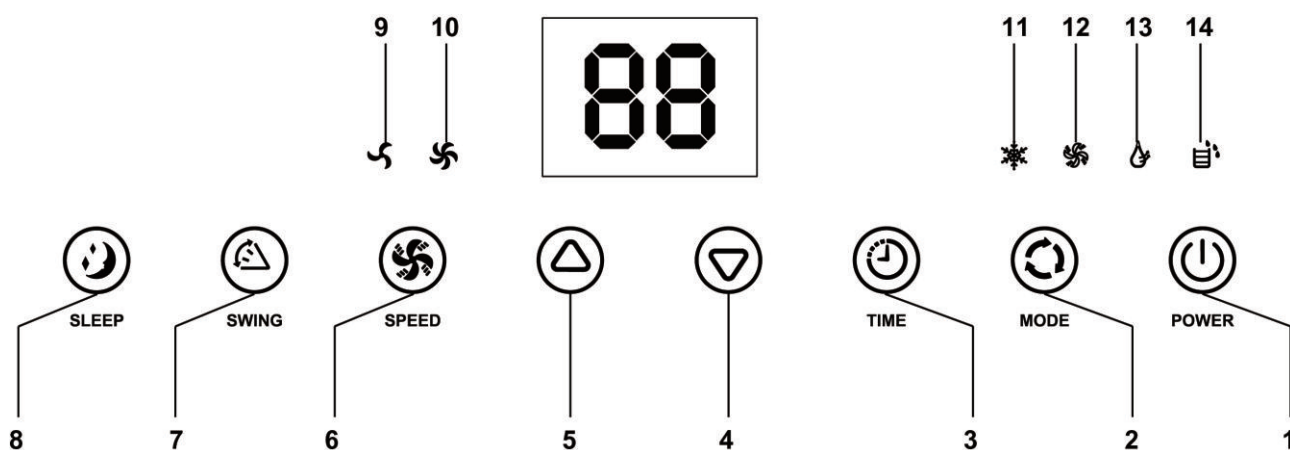
Montagem do conector:

Inserir o conector deslizante da janela no orifício e empurrar o conector esquerdo para o fixar ao kit.

Em seguida, bloquear o conector com o parafuso fornecido.

**III. Ajuste de Controlo****1. Instruções de funcionamento do painel de controlo**

Interface de funcionamento :



1. Botão ligar/desligar 2. Botão Modo 3. Botão Temporizador 4. Botão para Baixo
 7. Botão Oscilação 8. Botão Dormir 9. Indicação de velocidade baixa 10. Indicação de velocidade alta
 11. Indicação de arrefecimento 12. Indicação da ventoinha 13. Indicação de desumidificação 14. Indicação de água completa

Quando a máquina estiver ligada pela primeira vez, a emitirá um ruído, e a máquina entrará em estado de espera.

1. Botão LIGAR/DESLIGAR: Prima este botão para ligar e desligar a unidade.
2. Botão MODO: Quando a unidade estiver ligada, premir este botão para alternar entre REFRIGERAÇÃO → DESUMIDIFICAÇÃO → VENTONHA.

3. Botão TEMPORIZADOR: Quando a unidade estiver ligada, prima o botão para desligar o temporizador; quando a unidade estiver desligada, prima o botão para ligar o temporizador.

Prima o botão, quando o símbolo do temporizador piscar, prima o botão para cima e para baixo para seleccionar o tempo desejado.

Os valores do temporizador podem ser ajustados em 1-24 horas e o ajuste do tempo é de uma hora para cima ou para baixo.

4. Botão PARA BAIXO: No modo de temporizador, prima este botão para diminuir o tempo.

No modo de arrefecimento, premir este botão para baixar a temperatura.

Esta função não está disponível no modo VENTONHA e no modo DESUMIDIFICAÇÃO.

5. Botão PARA CIMA: No modo temporizador, premir este botão para ajustar aumentar o tempo.

No modo de arrefecimento, premir este botão para aumentar a temperatura

Esta função não está disponível no modo VENTONHA e no modo DESUMIDIFICADOR.

6. Botão VELOCIDADE: No modo de arrefecimento e no modo ventoinha, premir este botão para seleccionar a velocidade alta e baixa. Esta função não está disponível no modo DORMIR e no modo DESUMIDIFICADOR.

7. Botão OSCILAÇÃO: Premir o botão de oscilação para alterar a orientação das persianas para direccionar o ar.

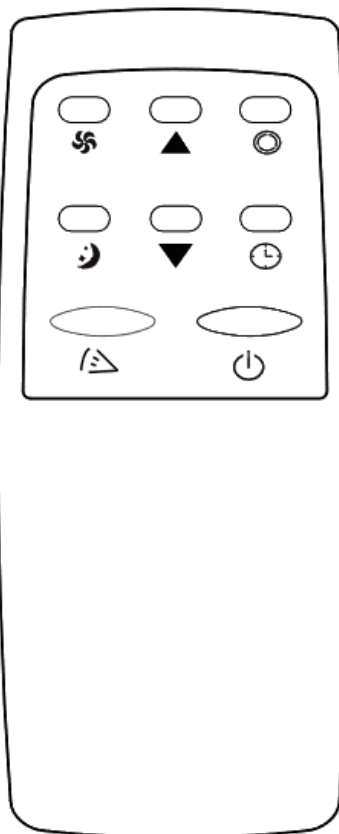
8. Botão DORMIR: Quando a energia estiver ligada e em modo de arrefecimento, premir o botão 'DORMIR' para iniciar o modo de sono. No modo de repouso, a velocidade do ventoinha é definida para velocidade BAIXA e não ajustável. O modo DORMIR pode ser cancelado premindo novamente o botão. A função não pode ser ligada no modo de repouso no modo de desumidificação ou no modo ventoinha.

9. LUZ: Enquanto a unidade está a funcionar, a luz acender-se-á para reflectir cada modo ou condição.

- Modo Ar Condicionado, será iluminado com luz **azul**.
- Modo Ventoinha, será iluminado com luz **branca**.
- Modo Desumidificação, será iluminado com luz **verde**.

Quando há condensação excessiva de água no interior da unidade, o ar condicionado deixa de funcionar e o mesmo será iluminado com luz **vermelha**.

Para ligar/desligar a Luz, prima o botão "DORMIR" durante 3 segundos.



2. Instruções de funcionamento do controlo remoto

O ar condicionado pode ser controlado com o controlo remoto. São necessárias duas baterias AAA para utilizar o controlo remoto.

LIGAR/DESLIGAR : Premir o botão POWER (ligar/desligar) para ligar e desligar a unidade.

MODO : Prima o botão MODE (modo) para alternar entre os modos de arrefecimento, desumidificação e ventoinha.

PARA CIMA : Prima o botão UP (PARA CIMA) para aumentar a temperatura desejada e definir a duração do temporizador.

PARA BAIXO : Prima o botão DOWN (para baixo) para reduzir a temperatura desejada e definir a duração do temporizador.

VELOCIDADE : Prima o botão FAN (velocidade) para alternar entre as velocidades alta e baixa das ventoinhas.

TEMPORIZADOR : Prima o botão TIMER (temporizador) para definir a duração do temporizador de ligar ou desligar.

OSCILAÇÃO : Prima o botão de oscilação para mudar a orientação das persianas de modo a direccionar o ar.

DORMIR : Pressione para ligar o modo de sono. A unidade funcionará com lógica de poupança de energia e com a velocidade mais baixa da ventoinha.

IV. Função de protecção

1: Função de Protecção Anti-Gelo:

No modo de arrefecimento, se a temperatura do sensor do tubo EVA for demasiado baixa, a unidade entrará automaticamente no estado de protecção; se a temperatura do sensor do tubo EVA subir até uma determinada temperatura, pode voltar automaticamente ao funcionamento normal.

2: Função de protecção contra transbordamento:

Quando a água no recipiente de água exceder o nível de aviso, a unidade soará automaticamente um alarme, e a luz indicadora "FULL" piscará. Neste ponto, é necessário drenar a água (detalhes ver Instruções de Drenagem no final deste capítulo). Após a água ser esvaziada, a unidade voltará automaticamente ao estado original.

3: Função de Protecção do Compressor

Para aumentar a vida útil do compressor, este tem uma função de protecção de arranque com 3 minutos de atraso após o compressor ser desligado.

V. Instalação e ajuste

1. Instalação :

Aviso: Antes de utilizar a unidade, mantê-la na vertical durante pelo menos duas horas.

A unidade pode ser facilmente deslocada na sala. No processo de movimentação, certifique-se de que a unidade está na posição vertical e deve ser colocada sobre uma superfície plana. Não instalar e utilizar a unidade na casa de banho ou em outros ambientes húmidos.

1.1 Instalação do tubo de calor (como mostrado na Fig.1)

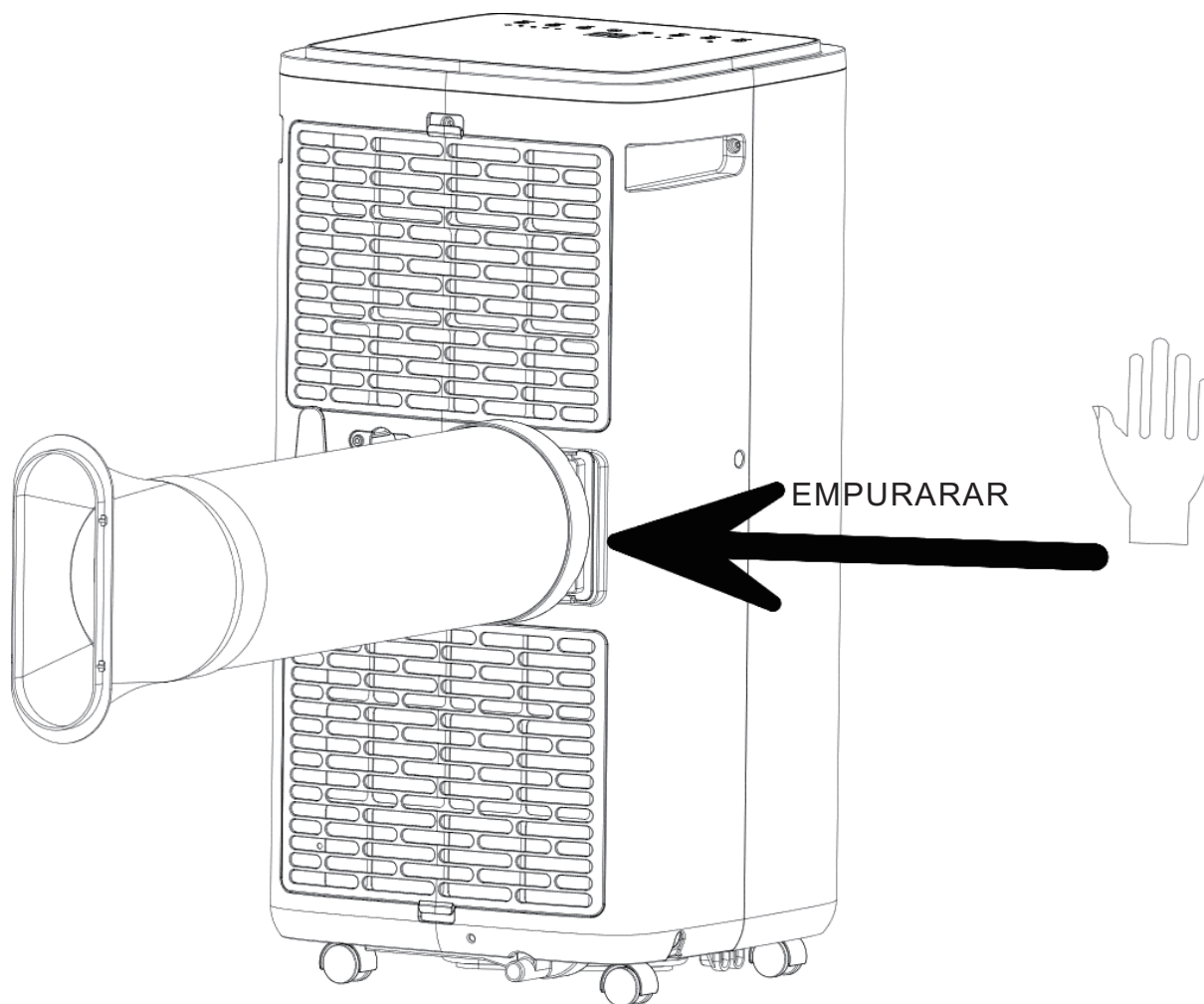


Figura 1

- 1) Retire para fora do conjunto do conector externo e do conjunto do tubo de escape, e remover os sacos plásticos;
- 2) Inserir o conjunto do tubo de calor (a extremidade da junta de escape) na ranhura de ventilação do painel posterior (empurrar para a esquerda) e completar a montagem (como mostra a figura 1).

1.2 Instalação de componentes de placas de vedação de janelas

- 1) Abra a janela até a metade e monte o conjunto da placa de vedação da janela na janela (como mostrado na Fig.2 e Fig.3). Os componentes podem ser colocados na direção horizontal e vertical.
 - 2) Abra vários componentes do conjunto da placa de vedação da janela, ajuste a distância de abertura para trazer ambas as extremidades do conjunto em contato com a moldura da janela e fixe vários componentes do conjunto. Instale o conjunto da placa de vedação da janela
- Notas: 1: A extremidade plana das juntas do tubo de escape deve ser encaixada no lugar.
2: O tubo não pode estar torcido nem ter giro substancial (maior que 45°). Mantenha a ventilação do tubo de escape desobstruída.

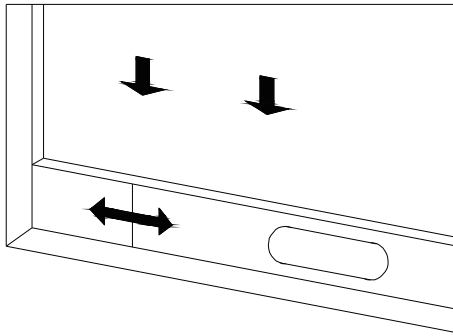


Figura 2

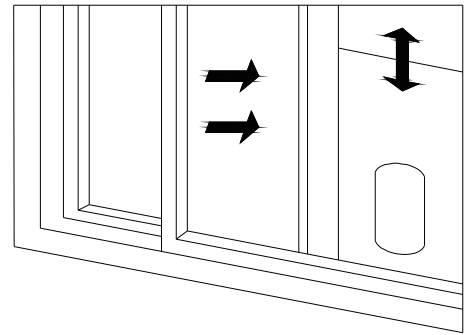


Figura 3

4)

Mover a unidade com tubo de calor instalado e acessórios antes da janela, e a distância entre a estrutura e as paredes ou outros objectos deve ser de pelo menos 50 cm (como mostrado na Fig.4).

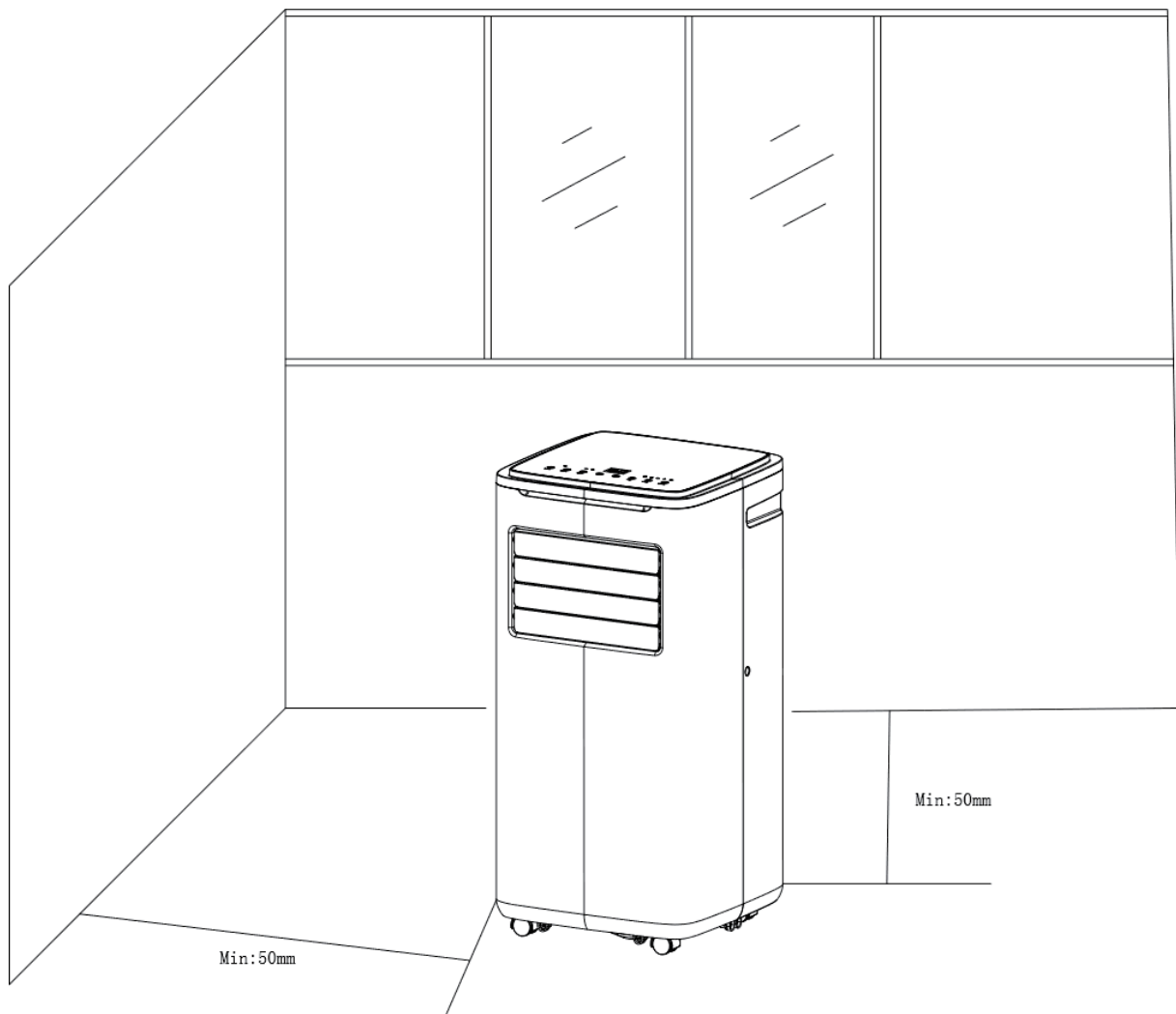


Figura 4

5)

Alongar o tubo de escape e encaixar a extremidade plana das juntas do tubo de escape no orifício do conjunto da placa de vedação da janela (como mostrado nas Fig.5 e Fig.6).

Notas : 1: A extremidade plana das juntas do tubo de escape deve ser encaixada no seu lugar.

2: O tubo não pode ser distorcido nem tem curvas substanciais (superiores a 45°). Manter a ventilação do tubo de exaustão desbloqueada.

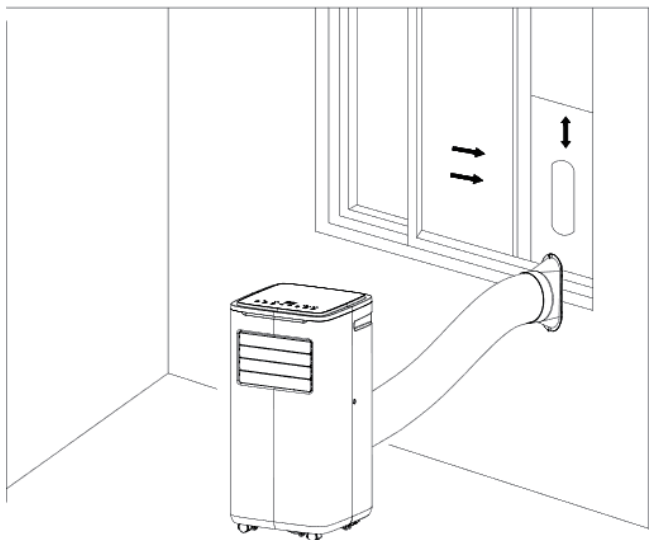


Figure 5

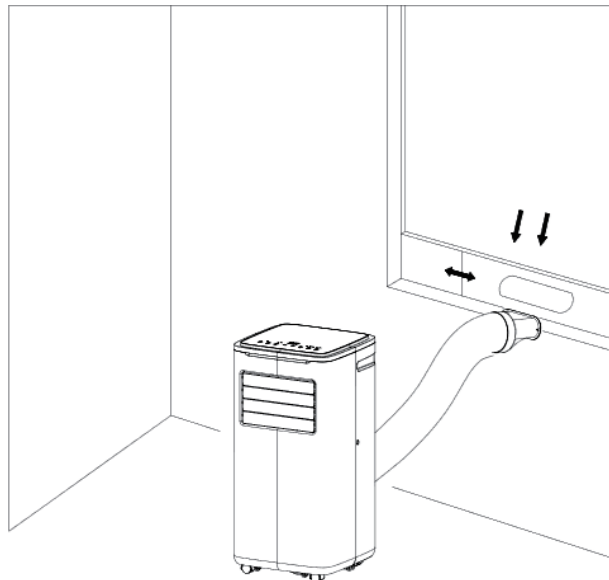


Figure 6

Aviso Importante:

O comprimento da mangueira de escape deve ser de 280~1.500mm, e este comprimento é baseado nas especificações da unidade. Não utilizar tubos de extensão ou substituí-lo por outras mangueiras diferentes, ou isto pode causar um mau funcionamento. A mangueira de exaustão deve ser desobstruída; caso contrário, pode causar sobreaquecimento.

VI. Instruções de Drenagem

Esta unidade tem dois métodos de drenagem: a drenagem manual e a drenagem contínua.

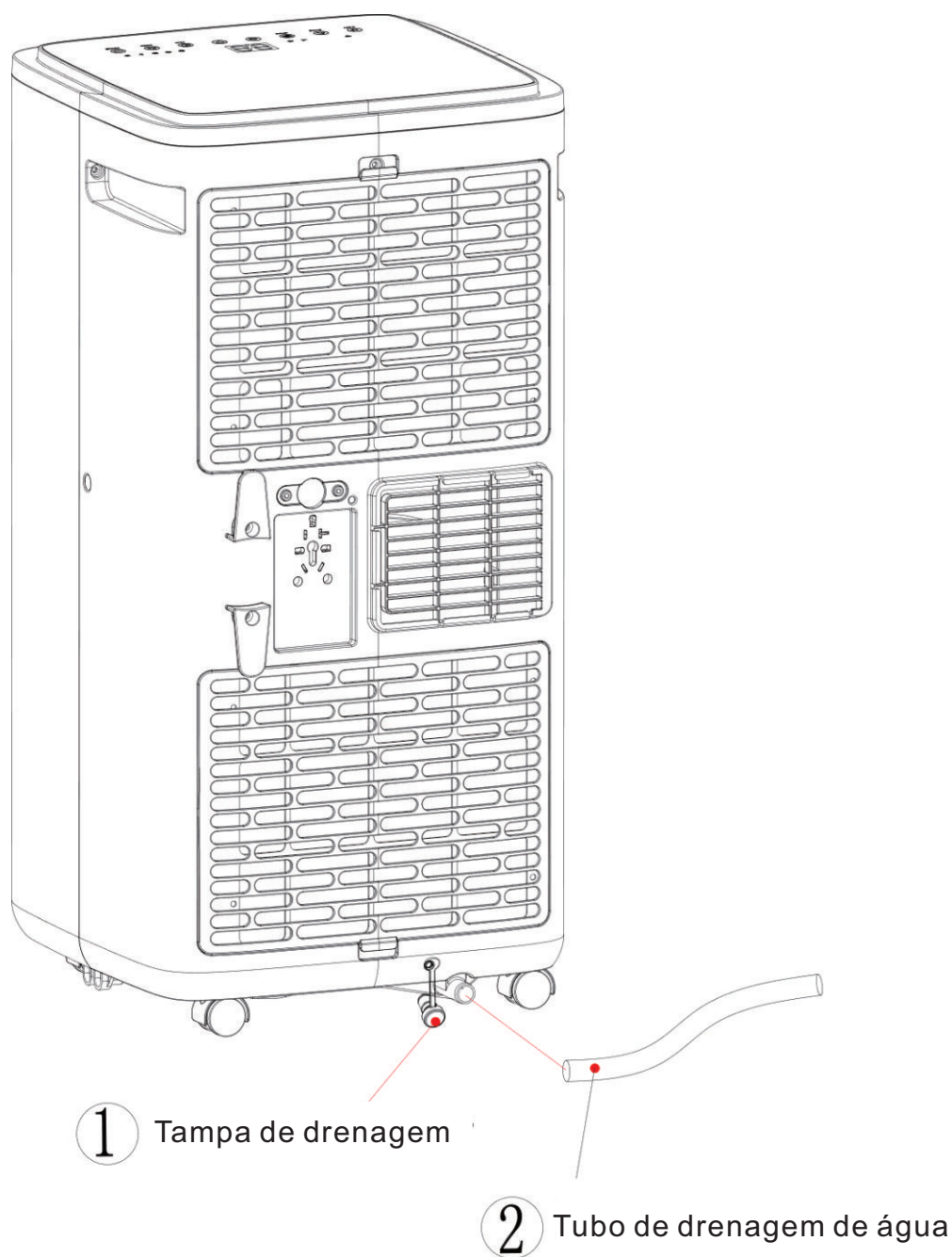
1. Drenagem manual:

1) Quando a unidade parar depois que a água estiver cheia, desligue a energia da unidade e desconecte o plugue da tomada.

Notas : Mova a unidade com cuidado, para não derramar água no recipiente de água na parte inferior da estrutura.

2) Coloque o recipiente de água abaixo da saída de água lateral atrás da estrutura.

Desconecte o plugue de água, a água fluirá automaticamente para o recipiente de água.



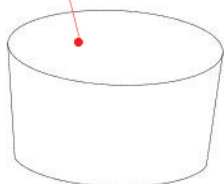
Notas :

- 1) Guardar correctamente a tampa de drenagem e o tubo de água.
- 2) Durante a drenagem, a estrutura pode ser ligeiramente inclinado para trás.
- 3) Se o reservatório de água não conseguir conter toda a água, antes do reservatório de água estar cheio, inserir o tubo de água o mais rápido possível para evitar que a água flua para o chão ou para o tapete.
- 4) Quando a água for evacuada, inserir a tampa da drenagem, e apertá-la firmemente.

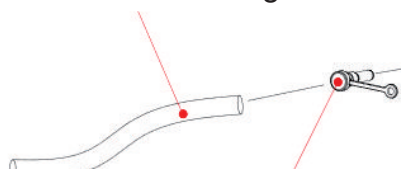
1. Drenagem contínua (Opcional) (apenas aplicável ao modo de desumidificação), como se mostra na figura:

- 1) Desconecte o plugue de água.
- 2) Coloque o tubo de drenagem na saída de água.
- 3) Conecte o tubo de drenagem ao balde.

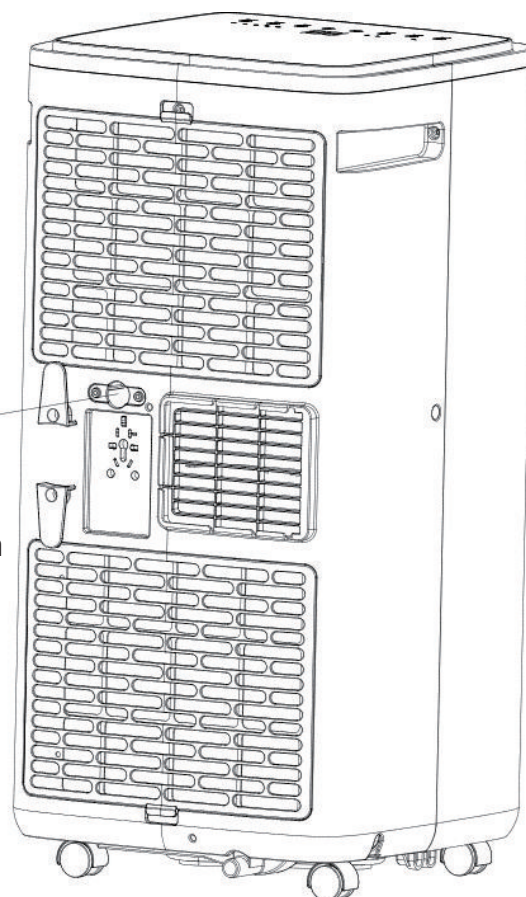
3. Balde



2. Tubo de drenagem



1. Tapa de drenagem



VII. Manutenção

Limpeza: Antes da limpeza e manutenção, desligar a unidade e desconectar a ficha da tomada.

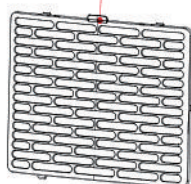
1. Limpeza da estrutura

Limpar com a superfície da unidade com um pano molhado e macio. Não utilizar produtos químicos, tais como benzeno, álcool, gasolina, etc; caso contrário, a superfície da unidade será danificada ou mesmo toda a unidade será danificada.

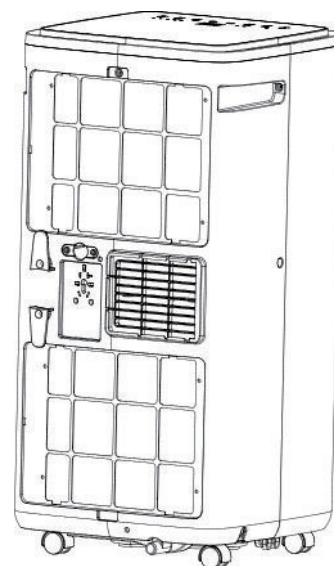
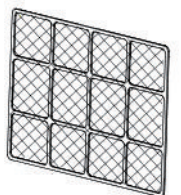
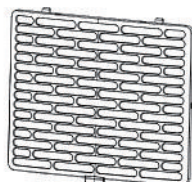
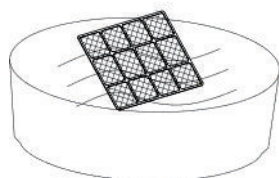
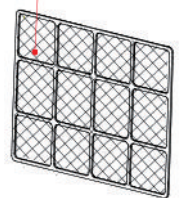
2. Limpeza da estrutura filtro

Se a tela do filtro estiver obstruída com poeira, e a eficácia da unidade for reduzida, certifique-se de limpar a tela do filtro uma vez de duas em duas semanas.

Estrutura do filtro



Filtro



1. Limpeza do filtro

Desparafusar os parafusos na estrutura do filtro com o auxílio de uma chave de fenda e retirar o filtro EVA do interior.

Coloque o filtro em água morna com detergente neutro (cerca de 40°C / 104°F), enxaguar com água limpa e deixar secar na sombra.

VIII. Armazenamento:

1: Desparafuse a tampa de drenagem, desconecte o plugue de água e descarregue a água no reservatório de água em outros recipientes de água ou incline diretamente a estrutura para descarregar a água em outros recipientes.

2: Ligue a unidade, ajuste-a para o modo de ventilação de baixo vento e mantenha este estado até que o tubo de drenagem fique seco, de modo a manter o interior da estrutura seco e evitar que mofo.

3: Desligue a unidade, desconecte o plugue da tomada e enrole o cabo de alimentação em volta do poste de embrulho; retire a mangueira de água e feche a tampa de drenagem.

4: Remova o tubo de escape e guarde-o adequadamente.

5: Cubra a unidade com um saco plástico. Guarde a unidade em local seco, mantenha-a fora do alcance de crianças e tome medidas de controle de poeira.

6: Remova as pilhas do controle remoto e guarde-as adequadamente.

Nota: Certifique-se de que a estrutura seja colocada em local seco e guarde todos os componentes adequadamente.

IX. Resolução de Problemas

1. Informação sobre a manutenção

1. Verificações para a localidade

Antes de começar a trabalhar em sistemas contendo refrigerantes inflamáveis, as verificações de segurança são necessário para assegurar que o risco de ignição seja minimizado. Para reparação para a refrigeração devem ser respeitadas as seguintes precauções antes da realização de trabalhos no sistema

2. Procedimento de trabalho

Os trabalhos devem ser realizados segundo um procedimento controlado, de modo a minimizar o risco de presença de gás ou vapor inflamável enquanto o trabalho está a ser executado.

3. Área de trabalho geral

Todo o pessoal de manutenção e outros que trabalhem na área local serão instruídos sobre natureza do trabalho a ser realizado. O trabalho em espaços confinados deve ser evitado. A área em redor do espaço de trabalho será seccionado. Assegurar que as condições dentro da área foram tornados seguros através do controlo de material inflamável.

4. Verificação da presença de refrigerante

A área deve ser verificada com um detector de refrigerante apropriado antes e durante o trabalho, para assegurar que o técnico está ciente de atmosferas potencialmente inflamáveis. Assegure-se de que o equipamento de detecção de fugas utilizado é adequado para utilização com inflamáveis refrigerantes, isto é, sem faíscas, adequadamente selados ou intrinsecamente seguros.

5. Presença de extintor de incêndio

Se algum trabalho a quente for realizado no equipamento de refrigeração ou em quaisquer peças associadas, deve estar disponível à mão equipamento de extinção de incêndios adequado. Ter à mão um pó seco ou extintor de CO2 adjacente à área de carga.

6. Sem fontes de ignição

Nenhuma pessoa que realize trabalhos relacionados com um sistema de refrigeração que implique a exposição tubagem que contenha ou tenha contido refrigerante inflamável deve utilizar quaisquer fontes de ignição de tal forma que possa levar ao risco de incêndio ou explosão. Tudo é possível fontes de ignição, incluindo o consumo de cigarros, devem ser mantidas suficientemente afastadas do local de instalação, reparação, remoção e eliminação, durante o qual o refrigerante inflamável podem eventualmente ser libertados para o espaço circundante. Antes do trabalho ter lugar, a área à volta do equipamento deve ser vigiada para garantir que não há inflamáveis perigos ou riscos de ignição. Os sinais de "Proibido fumar" devem ser afixados.

7. Área ventilada

Certifique-se de que a área está ao ar livre ou que é adequadamente ventilada antes de invadir sistema ou a realização de qualquer trabalho a quente. Um grau de ventilação deve continuar durante o período em que o trabalho é realizado. A ventilação deve dispersar em segurança qualquer libertação refrigerante e de preferência expeli-lo externamente para a atmosfera.

8. Verificações ao equipamento de refrigeração

Quando os componentes eléctricos estão a ser mudados, devem ser adequados ao fim a que se destinam e para a especificação correcta. A todo o momento a manutenção e serviço do fabricante devem ser seguidas directrizes. Em caso de dúvida, consultar o departamento técnico do fabricante para assistência.

As seguintes verificações devem ser aplicadas às instalações que utilizam fluidos refrigerantes inflamáveis:

- A dimensão da carga está de acordo com a dimensão do compartimento dentro do qual o refrigerante contendo peças são instaladas;
- As máquinas e saídas de ventilação estão a funcionar adequadamente e não estão obstruídas;
- Se estiver a ser utilizado um circuito de refrigeração indirecto, o circuito secundário deve ser verificado para a presença de refrigerante;
- A marcação do equipamento continua a ser visível e legível. Marcações e sinais que são ilegíveis devem ser corrigidos;
- Os tubos ou componentes de refrigeração são instalados numa posição em que é pouco provável que ser exposto a qualquer substância que possa corroer o refrigerante que contenha componentes, a menos que os componentes sejam construídos com materiais que sejam inerentemente resistentes a ser corroído ou estar adequadamente protegido contra ser tão corroído.

9. Verificações a dispositivos eléctricos

A reparação e manutenção dos componentes eléctricos deve incluir verificações iniciais de segurança e procedimentos de inspecção de componentes. Se existir uma falha que possa comprometer a segurança, então a alimentação eléctrica deve ser desligada até ser tratada de forma satisfatória. Se ocorrer falha e não pode ser corrigida imediatamente, mas é necessário continuar a operação, uma solução temporária será necessária. Isto deve ser comunicado ao proprietário do equipamento para que todas as partes sejam aconselhadas.

Os controlos de segurança iniciais devem incluir:

- Que os condensadores sejam descarregados: isto deve ser feito de uma forma segura para evitar possibilidades de faíscas;
- Que não haja componentes eléctricos e fios eléctricos sob tensão expostos durante a carga, recuperando ou purgando o sistema;
- Que existe uma continuidade de ligação à terra.

2. Reparação de componentes selados

1. Durante as reparações dos componentes selados, todos os fornecimentos eléctricos devem ser desligados de o equipamento a ser trabalhado antes de qualquer remoção de tampas seladas, etc. Se for absolutamente necessário para ter um fornecimento eléctrico ao equipamento durante a manutenção, depois um permanente forma operacional de detecção de fugas deve ser localizada no ponto mais crítico para avisar de um situação potencialmente perigosa.

2. Deve ser dada especial atenção ao seguinte, a fim de assegurar que, ao trabalhar em situações de risco eléctrico componentes, o invólucro não é alterado de tal forma que o nível de protecção seja afectado.

Isto inclui danos nos cabos, número excessivo de ligações, terminais não efectuados a especificação original, danos nas vedações, montagem incorrecta das glândulas, etc.

Assegurar que os aparelhos são montados de forma segura.

Assegurar-se de que os selos ou materiais de selagem não se degradaram de forma a não servirem mais o objectivo de prevenir a entrada de atmosferas inflamáveis. As peças de substituição devem estar em de acordo com as especificações do fabricante.

NOTA: A utilização de selante de silício pode inibir a eficácia de alguns tipos de fugas

equipamento de detecção. Os componentes intrinsecamente seguros não têm de ser isolados antes do trabalho sobre eles.

3. Reparação de componentes intrinsecamente seguros

Não aplicar nenhuma carga indutiva ou capacitante permanente ao circuito sem assegurar que isto não excederá a tensão e corrente permitidas para o equipamento em uso.

Os componentes intrinsecamente seguros são os únicos tipos que podem ser trabalhados enquanto se estiver na presença de uma atmosfera inflamável. O aparelho de ensaio deve estar na classificação correcta.

Substituir os componentes apenas por peças especificadas pelo fabricante. As outras peças podem resultar na ignição do refrigerante na atmosfera devido a uma fuga.

4. Cablagem

Verificar se a cablagem não estará sujeita a desgaste, corrosão, pressão excessiva, vibrações, arestas vivas ou quaisquer outros efeitos ambientais adversos. A verificação deve também ter em conta contabilizar os efeitos do envelhecimento ou da vibração contínua de fontes como os compressores ou ventoinhas.

5. Detecção de refrigerantes inflamáveis

Em nenhuma circunstância poderão ser utilizadas fontes potenciais de ignição na procura ou detecção de fugas de refrigerante. Qualquer detector que utilize uma chama nua não deve ser utilizado.

6. Métodos de detecção de fugas

Os seguintes métodos de detecção de fugas são considerados aceitáveis para sistemas que contenham refrigerantes inflamáveis.

Os detectores electrónicos de fugas devem ser utilizados para detectar fluidos refrigerantes inflamáveis, mas os a sua sensibilidade pode não ser adequada, ou pode necessitar de uma recalibração. (O equipamento de detecção deve ser calibrado numa área livre de refrigerantes). Assegurar que o detector não é uma fonte potencial de ignição e é adequado para o refrigerante utilizado. O equipamento de detecção de fugas deve ser definido a uma percentagem do LFL do fluido refrigerante e deve ser calibrada para o fluido refrigerante utilizada e a percentagem adequada de gás (25 % no máximo) é garantida.

Os fluidos de detecção de fugas são adequados para utilização com a maioria dos fluidos refrigerantes, mas a utilização de detergentes que contenham cloro devem ser evitados, uma vez que o cloro pode reagir com o refrigerante e corroer os tubos de cobre.

Em caso de suspeita de fuga, todas as chamas nuas devem ser removidas/eliminadas.

Se for detectada uma fuga de refrigerante que exija brasagem, todo o refrigerante deve ser

recuperado do sistema, ou isolado (por meio de válvulas de corte) numa parte do sistema remoto a partir da fuga. O nitrogénio livre de oxigénio (OFN) deve então ser purgado através de o sistema, tanto antes como durante o processo de brasagem.

7. Remoção e evacuação

Ao entrar no circuito do refrigerante para fazer reparações - ou para qualquer outro fim, devem ser utilizados procedimentos convencionais. No entanto, é importante que as melhores práticas sejam seguidas, uma vez que a inflamabilidade é uma questão a considerar. Deve ser observado o seguinte procedimento para:

- Remover o refrigerante;
- Purgar o circuito com gás inerte;
- Evacuar;
- Purgar novamente com gás inerte;
- Abrir o circuito por corte ou brasagem.

A carga de refrigerante deve ser recuperada para as garrafas de recuperação correctas. O sistema deve ser "enxaguado" com OFN para tornar a unidade segura. Este processo poderá ter de ser repetido várias vezes. O ar comprimido ou o oxigénio não devem ser utilizados para esta tarefa.

A lavagem deve ser conseguida através da quebra do vácuo no sistema com OFN e continuar a encher até que a pressão de trabalho seja atingida, e depois ventilar para a atmosfera, e finalmente puxando para baixo para um vácuo. Este processo deve ser repetido até que nenhum refrigerante seja dentro do sistema. Quando a carga final OFN é utilizada, o sistema deve ser ventilado à pressão atmosférica para permitir a realização de trabalhos. Esta operação é absolutamente vital se as operações de brasagem na tubagem devem ser realizadas.

Certifique-se de que a saída da bomba de vácuo não esteja próxima a nenhuma fonte de ignição e que haja ventilação disponível.

8. Procedimentos de carregamento

Par além dos procedimentos de carregamentos convencionais, os seguintes requisitos devem ser seguidos:

- Assegurar que a contaminação de diferentes fluidos refrigerantes não ocorra durante a utilização do carregamento equipamento. As mangueiras ou linhas devem ser tão curtas quanto possível para minimizar a quantidade de refrigerante neles contido.
- Os cilindros devem ser mantidos na posição vertical.
- Assegurar que o sistema de refrigeração é ligado à terra antes de carregar o sistema com refrigerante.
- Rotular o sistema quando a carga estiver completa (se ainda não estiver completa).
- Deve ser tomado extremo cuidado para não encher em demasia o sistema de refrigeração.

Antes de recarregar o sistema, este deve ser testado sob pressão com OFN. O sistema deve ter fugas testadas após a conclusão do carregamento, e antes de ser colocado funcionamento. Um teste de fugas de acompanhamento deve ser realizado antes de deixar o local.

9. Desactivação

Antes de realizar este procedimento, é essencial que o técnico esteja completamente familiarizado com o equipamento e todos os seus pormenores. Recomenda-se a boa prática de que todos os refrigerantes são recuperados em segurança. Antes da tarefa ser realizada, uma amostra de óleo e de líquido refrigerante deve ser tomada em caso de ser necessária uma análise antes da reutilização do refrigerante recuperado. É

essencial que a energia eléctrica esteja disponível antes de a tarefa ser iniciada.

- a) Familiarizar-se com o equipamento e o seu funcionamento.
- b) Isolar electricamente o sistema.
- c) Antes de tentar o procedimento, assegurar-se de que:
 - O equipamento de manuseamento mecânico esteja disponível, se necessário, para manusear o refrigerante cilindros;
 - Todo o equipamento de protecção pessoal está disponível e a ser utilizado correctamente;
 - O processo de recuperação é supervisionado a todo o momento por uma pessoa competente;
 - O equipamento e os cilindros de recuperação estão em conformidade com as normas apropriadas.
- d) Bombardear o sistema de refrigeração, se possível.
- e) Se não for possível um vácuo, fazer um colector para que o refrigerante possa ser removido de várias partes do sistema.
- f) Certifique-se de que o cilindro está situado na escala antes de se efectuar a recuperação.
- g) Iniciar a máquina de recuperação e operar de acordo com as instruções do fabricante.
- h) Não encher em demasia os cilindros. (Não mais de 80% do volume de carga líquida).
- i) Não exceder a pressão máxima de trabalho do cilindro, mesmo temporariamente.
- j) Quando os cilindros tiverem sido enchidos correctamente e o processo concluído, certificar-se

que os cilindros e o equipamento sejam retirados rapidamente do local e todo o isolamento, as válvulas do equipamento estão fechadas.

k) O refrigerante recuperado não deve ser carregado para outro sistema de refrigeração, a menos que seja limpo e verificado.

10. Rotulagem

O equipamento deve ser rotulado declarando que foi desactivado e esvaziado de líquido refrigerante. O rótulo deve ser datado e assinado. Certificar-se de que existem rótulos no equipamento que declara que o equipamento contém líquido refrigerante inflamável.

11. Recuperação

Ao remover o refrigerante de um sistema, seja para manutenção ou desactivação, recomenda-se a boa prática de remoção segura de todos os refrigerantes.

Ao transferir o refrigerante para os cilindros, assegurar que apenas o refrigerante apropriado são utilizados cilindros de recuperação. Assegurar que o número correcto de cilindros para a retenção a taxa total do sistema está disponível. Todos os cilindros a serem utilizados são designados para a

refrigeração recuperada e rotulada para esse fluido refrigerante (ou seja, cilindros especiais para o

recuperação do refrigerante). Os cilindros devem estar completos com válvula de alívio de pressão e

válvulas de corte associadas em bom estado de funcionamento. Os cilindros de recuperação vazios são

evacuado e, se possível, arrefecido antes de ocorrer a recuperação.

O equipamento de recuperação deve estar em boas condições de funcionamento, com um conjunto de instruções sobre o equipamento que está à mão e que deve ser adequado para a recuperação de refrigerantes inflamáveis. Além disso, deve estar disponível um conjunto de balanças de pesagem calibradas e em bom estado de funcionamento. As mangueiras devem estar completas com acoplamentos de desconexão sem fugas e em bom estado de conservação. Antes de utilizar a máquina de recuperação, verificar se está em bom estado de funcionamento, tenha sido devidamente mantida e que qualquer componentes são selados para evitar a ignição em caso de libertação de um refrigerante. Consultar fabricante, em caso de dúvida.

O fluido refrigerante recuperado deve ser devolvido ao fornecedor do fluido refrigerante no cilindro de recuperação, e a respectiva Nota de Transferência de Resíduos organizada. Não misturar refrigerantes em unidades de recuperação e especialmente não em cilindros.

Se os compressores ou óleos de compressor tiverem de ser removidos, certifique-se de que foram

evacuados para um nível aceitável para garantir que o refrigerante inflamável não permanecem dentro do lubrificante. O processo de evacuação deve ser efectuado antes do regresso ao compressor para os fornecedores. Apenas o aquecimento eléctrico da estrutura do compressor deve ser empregue para acelerar este processo. Quando o gás é drenado de um sistema, deve ser realizado em segurança.

Parâmetros dos fusíveis da máquina

Tipo: 5TE ou 5ET ou 5H ou 5N Voltagem: 250V Corrente: 3.15 A

A. Armazenamento:

1. Desaparafusar a tampa de drenagem, desligar a ficha de água, e esvaziar a água do recipiente de água para outro recipientes ou inclinar directamente a estrutura para descarregar a água para outros recipientes.
2. Ligar a máquina, ajustá-la ao modo de ventilação a baixo vento, e manter este estado até que o tubo de drenagem se torne seco, de modo a manter o interior da estrutura num estado seco para evitar o seu mofo.
3. Desligue a máquina, desligue a ficha da tomada, e enrole o cabo de alimentação à volta; retire a mangueira de água e feche a tampa de drenagem.
4. Retirar o tubo de escape e mantê-lo correctamente armazenado.
5. Cobrir o ar condicionado com um saco de plástico. Colocar o ar condicionado num local seco, mantê-lo fora do alcance das crianças, e tomar medidas de controlo de poeiras.
6. Retirar as pilhas do controlo remoto e mantê-las devidamente armazenadas.

Nota: Assegurar-se de que a estrutura é colocada num local seco e manter todos os componentes da máquina devidamente guardados.

IX. Resolução de Problemas

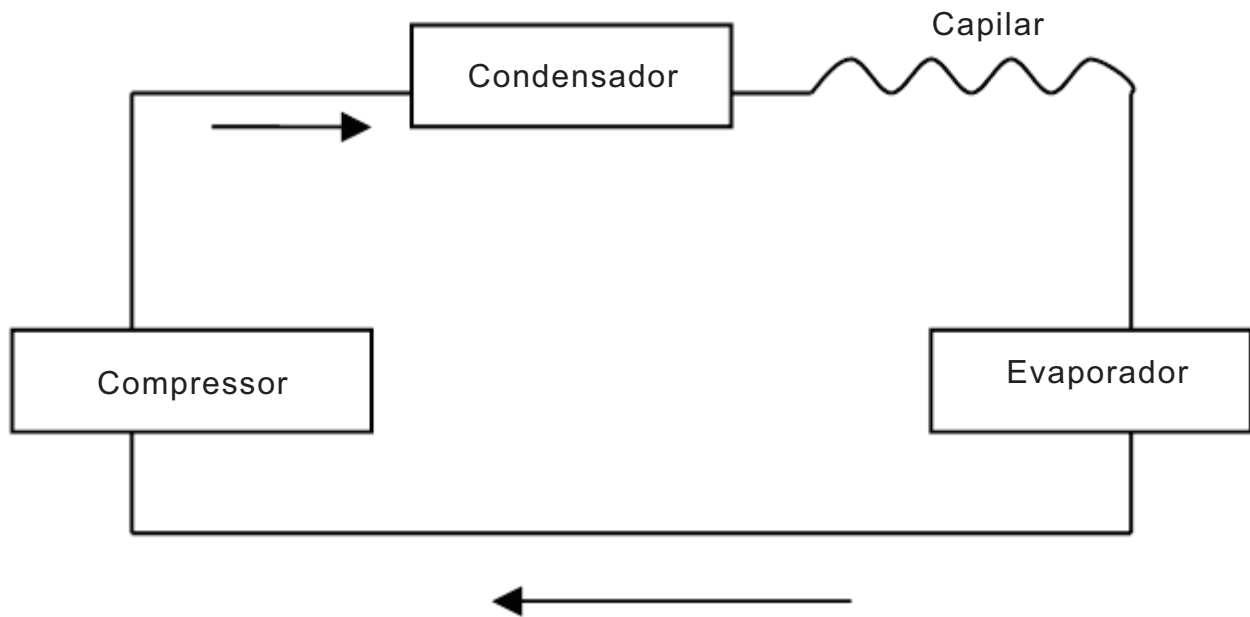
Não repare ou desmonte o ar condicionado por si próprio. A reparação não qualificada conduzirá à falha do certificado de garantia, e poderá causar danos aos utilizadores ou às suas propriedades.

Problemas	Causas	Soluções
O ar condicionado não funciona.	Não há electricidade.	Ligue-o depois de o ligar a uma tomada com electricidade.
	O indicador de água cheia acender-se-á.	Descarregar a água no interior.
	A temperatura ambiente é demasiado baixa ou demasiado alta	Recomenda-se a utilização da máquina à temperatura de 7-35 ? .
	No modo de arrefecimento, a temperatura ambiente é mais baixa do que a temperatura definida;	Alterar a temperatura definida.
	No modo de desumidificação, a temperatura ambiente é baixa.	Coloque a máquina é colocada numa sala com uma temperatura ambiente superior a 17 ? .
O efeito de arrefecimento não é bom	Existe luz solar directa.	Puxar a cortina.
	Portas ou janelas estão abertas; há muitas pessoas; ou no modo de arrefecimento, há outras fontes de calor.	Fechar portas e janelas, e adicionar novo ar condicionado.
	A tela do filtro está suja.	Limpar ou substituir a tela do filtro.
	A entrada ou saída de ar é bloqueada.	Limpar obstruções.
Grande Ruído	O ar condicionado não é colocado sobre uma superfície plana.	Colocar o ar condicionado num local plano e rígido (para reduzir o ruído).
O compressor não funciona.	A proteção contra congelamento é iniciada.	Aguarde 3 minutos até que a temperatura baixe e reinicie a máquina.
	A proteção contra superaquecimento é iniciada.	
O controlo remoto não funciona.	A distância entre a máquina e o controlo remoto é muito grande.	Deixe o controlo remoto aproximar-se do ar condicionado, e certifique-se de que o controlo remoto está directamente virado para a direcção do receptor do controlo remoto.
	O controlo remoto não está alinhado com a direcção do receptor do controle remoto.	
	As pilhas estão descarregadas.	Substituir as pilhas.
Exibe 'E1'.	O sensor de temperatura ambiente é anormal.	Verificar o sensor de temperatura ambiente e circuitos relacionados.
Exibe 'E2'.	O sensor de temperatura do tubo é anormal.	Verificar o sensor de temperatura do tubo e circuitos relacionados.

Nota: Se ocorrerem problemas não listados na tabela ou se as soluções recomendadas não funcionarem, contactar com o serviço de atenção ao cliente.

Diagrama esquemático para ar condicionado

(Os parâmetros técnicos específicos da máquina devem estar sujeitos à placa de identificação do produto)



Descarte: Não descarte a máquina juntamente com outros resíduos não separados. Esses resíduos devem ser colocados separadamente para outras utilizações especiais.