



IN221200222V02_UK

820-052_820-053_02-0357_02-0358



Electric Fireplace



IMPORTANT, RETAIN FOR FUTURE REFERENCE: READ CAREFULLY

ASSEMBLY & INSTRUCTION MANUAL

Getting Started

Remove appliance from the box.

Remove any packaging from the product.

Place packaging inside the box and either store or dispose of safely.

In the box

Fire body.

Front panel.

Pebble pack

Concealed fixings pack containing:

Screws and wall plugs

Fixing bracket

Remote control

Instruction manual

Features

Remote control

Dancing flame effect

Detachable front

Heater with two settings

Thermal cutout

Two heat settings

Wall mounted

Safety Instructions

When using electrical appliances, basic safety precautions should always be followed.

- Do not use the appliance until it is securely fixed as described in this manual.
- Check that the voltage indicates on the data plate corresponds with that of the local network before connecting the appliance to the mains power supply.
- From time to time, check the cord for damage. Never use the appliance if the cord or any part of the appliance shows signs of damage.
- If the supply cord is damaged, it must be replaced by a qualified engineer in order to avoid a hazard.
- Keep furniture, curtains and other flammable material at least 1 meter away from the appliance.
- Do not leave the appliance unattended during use.
- Do not leave the appliance unattended whilst connected to the mains supply.
- Keep out of reach of children and do not allow them to operate this appliance.
- This appliance is intended for household use only and should not be used for industrial purposes.
- Do not operate this appliance after a malfunction or after being dropped or damaged in any way.
- Repairs to electrical appliances should only be performed by a qualified electrician.
- Improper repairs may place user at serious risk.
- Do not run the mains cable under carpets, rugs, etc.
- Do not allow the mains cable to hang over sharp edges or come in contact with hot surfaces.



- **WARNING:** In order to avoid overheating, do not cover the heater.
- Never immerse the product in water or any other liquid for any reasons.
- Do not use this heater in the immediate surroundings of a bath, a shower or a swimming pool.
- Do not use the appliance outdoors.
- Do not use if you have wet hands.
- Never use the appliance on or near hot surfaces.
- Do not operate with a damaged cord.
- Before cleaning the appliance, make sure it is unplugged from the power and that it is completely cooled.

- Do not clean the appliance with abrasive chemicals.
- Never use accessories that are not recommended or supplied by the manufacturer. It could cause danger to the user or damage to the appliance.
- This appliance is not intended for use by persons (including children) with reduced Physical, sensory or mental capabilities, or lack of experience and knowledge unless they have been given supervision or instruction concerning use of the appliance by a person responsible for their safety.
- Children should be supervised to ensure that they do not play with the appliance.
- Do not lift the appliance by the front panel.
- The heater must not be located immediately below a socket outlet.
- Keep top of heater at least 1000mm away from ceiling or other objects for optimum heat ventilation.
- CAUTION: In order to avoid a hazard due to inadvertent resetting of the thermal cutout, this appliance must not be supplied through an external switching device, such as a timer, or connected to a circuit that is regularly switched on and off by the utility.
- WARNING: This heater is not equipped with a device to control the room temperature. Do not use this heater in small rooms when they are occupied by persons not capable of leaving the room on their own, unless constant supervision is provided.
- Children of less than 3 years should be kept away unless continuously supervised.
- Children aged from 3 years and less than 8 years shall only switch on/off the appliance provided that it has been placed or installed in its intended normal operating position and they have been given supervision or instruction concerning use of the appliance in a safe way and understand the hazards involved. Children aged from 3 years and less than 8 years shall not plug in, regulate and clean the appliance or perform user maintenance.
- CAUTION- Some parts of this product can become very hot and cause burns. Particular attention has to be given where children and vulnerable people are present.
- This appliance can be used by children aged from 8 years and above and persons with reduced physical, sensory or mental capabilities or lack of experience and knowledge if they have been given supervision or instruction concerning use of the appliance in a safe way and understand the hazards involved.
- Cleaning and user maintenance shall not be made by children without supervision.

A. Do not use two high-power appliances in the same socket.

B. The plug needs to be plugged in fully.

C. Product socket cannot use extension cord.

The socket need to be conformed to BS1363, The maximum withstand current value needs to be greater than 13A (Only for UK market).

Helpful Advice Before Fitting

Please retain all packaging until you have checked and counted all the parts and the contents of the fixing pack against the parts list.

The fixing pack contains small items, which should be kept away from young children.

We suggest that you open the fixing pack and place all the contents into a container, therefore reducing the risk of losing any small pieces.

Installation

Do not connect the heater until properly fixed to the wall and the instructions is read fully.

The minimum distances must be observed.

For installation of the heater, care must be taken not to damage concealed cables.

Please be careful while drilling the holes.

This appliance is designed to be permanently fixed to a wall at a minimum height of 300mm. The wall bracket must be fitted horizontally and the cable routed to the bottom right of the heater.

A height of 600mm from bottom of heater to floor is recommended for optimum viewing of fuel bed (see Fig.2 for recommend fixing dimensions).

Keep top of heater at least 1000mm away from ceiling or other objects for optimum heat ventilation.

For optimum viewing, mark the top five screws fixing positions on wall in accordance with the recommend fixing dimensions- see Fig.2. Drill holes with a six drill bit.

Fix the wall bracket using that the plug and screws provided .

Carefully lift the heater up ensuring that the two top rear slots of heater engages the wall bracket (see Fig.3) and is sitting centrally.

Gently bring the heater level with the wall.

Mark the two bottom holes position-see Fig.5, remove the heater ensuring that the bottom fixing bracket is rotated up.

Drill and fit wall plug.

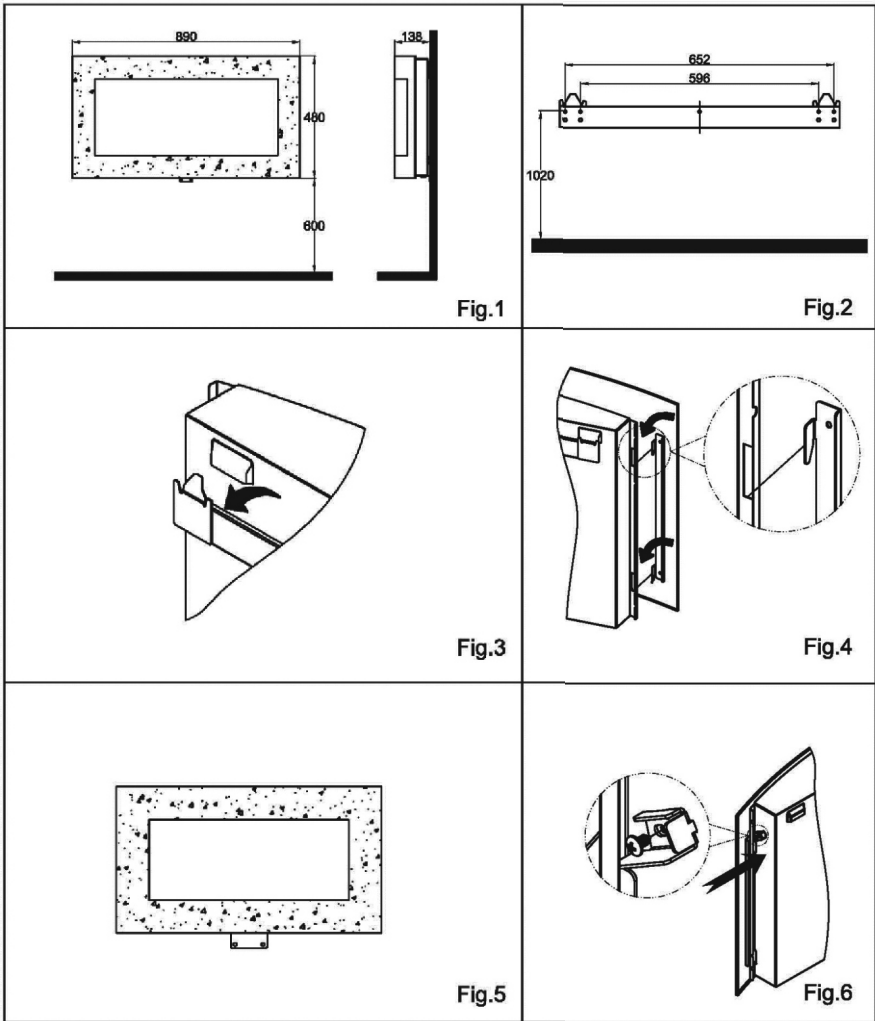
Refit the heater to the wall fixing bracket and rotate the bottom fixing bracket down again and use the screw provided to permanently fix the heater in place.

Unpack the pebbles from the bag and place them along the light unit in the desired position.

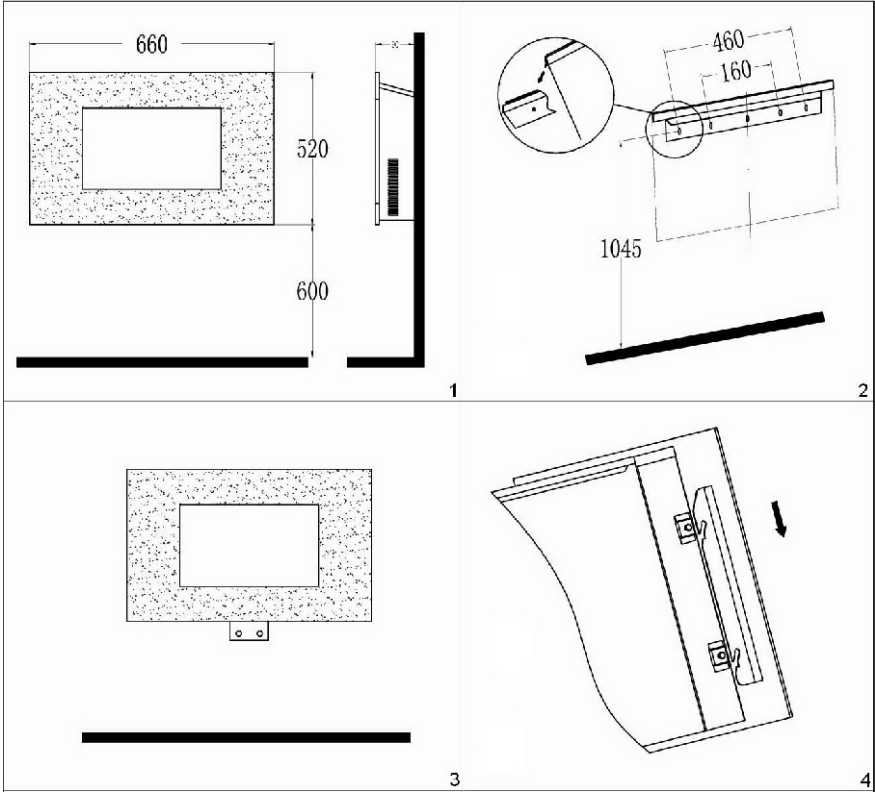
Place the front glass panel over the front of the heater aligning the hooks at each side of the glass panel in place. Again two people will be required for this operation.

Insert and tighten the front glass panel screw-See Fig.6 to secure the front glass panel to the heater.(Only for 820-052 and 820-0357)

820-052,820-0357:

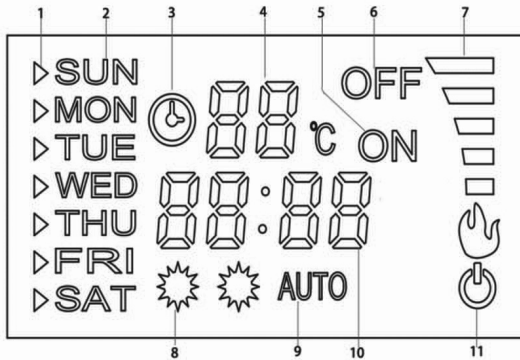


820-053,02-0358:



Instructions for Use

The appliance can be operated either by the switches located on the top right hand side of the fire or by the supplied remote control.



1	Cursor	2	Day time	3	Timer
4	Temperature/serial number display	5	Timer on	6	Timer off
7	Flame brightness	8	Heating position	9	Automatic control of heating
10	Time/Temperature display	11	Standby		

Temperature and serial number display: Normally it displays the room temperature; while setting the temperature, the setting temperature is displayed; When setting the timer, serial number is displayed.

Time/ Temperature display: Normally it displays the current time; while setting the timer, the setting time is displayed. When setting the temperature of the week timer, the setting temperature is displayed.

Time on and time off: It is displayed while setting the timer, and it is used in combination with serial number setting.

Flame brightness: It displays the current brightness of the flame, which ranges from one to five positions.

Manual Operation

This is done by operating the switches located at the top right hand side of the fire .The standby rocker switch must first be switched on, the fire will beep to indicate that it is powered up.

Press the O/I button once to turn on the appliance and fire effect. A red indicator light will show to indicate that the fire is ON. Press the O/I button for 3 seconds this will operate the dimmer mode, hold the button down until the desired brightness is obtained.

820-052,02-0357:

Press the POWER button once for the low heat setting 1000W;

Press twice for the high heat setting 2000W;

Press three to switch off the heat setting.

820-053,02-0358:

Press the POWER button once for the low heat setting 900W;

Press twice for the high heat setting 1800W;

Press three to switch off the heat setting.

Press the BACK LIGHT button to adjust the colors of LED decoration, 7 colors available.

Remote Operation

The standby rocker switch located at the top right hand side of the fire must first be switched on; the fire will beep to indicate that it is powered up.

It takes a little time for the receiver to respond to the transmitter. Do not press the buttons more than once within two seconds for the fire to operate normally.

1. Boot steps

1) Connect the power

2) Turn on the power switch

3) Press the control switch or "ON/OFF" key of the remote controller to start up

4) **820-052,02-0357:** Press the 1000W/2000W button once for the low heat setting 1000W; press twice for the high heat setting 2000W; press three to switch off the heat setting.

820-053,02-0358: Press the 900W/1800W button once for the low heat setting 900W; press twice for the high heat setting 1800W; press three to switch off the heat setting.

5) Press the DIMMER button to operate the dimmer mode, repeat pressing will raise and lower the brightness.

6) Press the BACK LIGHT button to adjust the colors of LED decoration, 7 colors available.

2. Automatic heating

Press "IC" button on the remote controller to start or exit the automatic heating.

When turned on, the fireplace can automatically change the heating mode depending on the set temperature and the room temperature.

During a timed starting process, it is possible to start heating ahead of schedule.

3. Setting the day and time

- 1) Settings are done on the remote controller
- 2) Press "DATE TIME" button, then press the "▲" or "▼" key to select the day
- 3) Press "DATE TIME" button again, then press the "+" or "-" to set the hour
- 4) Press "DATE TIME" button again, then press the "+" or "-" to set the minute
- 5) Press "OK" button to complete

4. Temperature setting

The default set temperature is 20 °C, press "+" or "-" on the remote controller to set the temperature, which ranges from 15 to 30°C. And this setting is only for the temperature in the normally mode, not for the temperature in the timer mode.

NOTE: The set temperature must be higher than the room temperature for the heat working.

5. Timer setting

1)Description of timer setting

There are up to 10 items for timer setting

Each setting item has its date, power-on time and shutdown time

The max. duration of each setting item is 23 hours 50 minutes

The setting date for each item can be any day or days of a week

The date in each setting item represents the date of power-on time

If the shutdown time of the setting falls on the second day, it is unnecessary to set the date – you just set the shutdown time

2)Steps to view the timer setting

Press the "TIMER SET" button

Press the "+" or "-" to check the power-on time of the timer one by one.

For checking the shutdown time, press the "▲" button

Press the "+" or "-" to continue viewing

For deleting the current item of setting, press "C" to delete

3) Steps for timer setting

(I) Select the settings of the serial number

Press the "TIMER SET" button, and the serial number starts blinking

Press the "+" or "-" to change the serial number until you get the serial number that you need to set or modify.

(II) Select date

Press "TIMER SET" button once again, and the cursor on the left side of day starts blinking

Press the "▲" or "▼" keys to move the cursor to the corresponding day, press the "+" to add the corresponding day, or press "-" to delete the day until you have completed the selection of all dates.

(III) Set the start time

Continue to press the "TIMER SET" button, the hour starts blinking

Press the "+" or "-" to adjust the hour

Continue to press the "TIMER SET" button, the minute starts blinking

Press the "+" or "-" to adjust minute

(IV) Set the shutdown time

Then press the "TIMER SET" button, the display is off, and the hour starts blinking

Press the "+" or "-" to adjust the hour.

Continue to press the "TIMER SET" button, the minute starts blinking

Press the "+" or "-" to adjust minute

(V) Set temperature

Then press the "TIMER SET" button, and the temperature set starts blinking. At this moment, the temperature displayed is normally set temperature, which can be adjusted by pressing "+" or "-"

(VI) Press "TIMER SET" button to continue setting, and press "OK" complete the setting

6. Timer switch

"TIMER ON/OFF" is to control the timed opening and closing

Restart the machine after power is cut off, the original setting is kept, but the current date and time must be reset

Note 1: When the week timer is power on, you should turn on the heating function, or else when the machine is working again, there will be only the flame effect working.

NOTE 2: Repeat the same procedures to set more timing cycles if required after the 01 timing cycle is finished.

NOTE 3: When the week timer setting is finished, "TIMER ON/OFF" function can be effective.

Safety Cut-Off

This appliance is fitted with a safety cut-off which will operate if the fire overheats (e.g. due to blocked air vents). For safety reasons, the fire will NOT automatically reset.

To reset the appliance, disconnect the appliance from the mains supply for at least 15 minutes. Reconnect to the mains supply and switch on the appliance.

Troubleshooting

Symptom	Solution
No operation/ no fan.	Check if put the electric plug into the socket. Check for safety cut-off operation.
No fire effect light.	Check the LED system by qualified electrician

Cleaning and Maintenance

Warning- Always disconnect from the mains supply before cleaning heater.

For general cleaning use a soft clean duster - never use harsh abrasive or cleaners.

The glass viewing screen should be cleaned carefully with a soft cloth. DO NOT use proprietary glass cleaners.

This product does not use a standard bulb for its flame effect. The appliance uses an electronically controlled LED system to create the effect, therefore no parts need to be replaced. There are no user-serviceable parts on this appliance. Under no circumstances should the appliance be serviced by anyone other than a qualified electrician.

Disposal

At the end of the product's serviceable life it should be disposed of thoughtfully and safely in accordance with local authority regulations. The plug should be Removed from the power supply cord and the power cord cut from the heater.

Technical Specification

820-052,02-0357

Supply: 220-240V~ 50Hz

Rated power: 2000W

Lighting: LED bulbs (no replaceable parts)

820-053,02-0358:

Supply: 220-240V~ 50Hz

Rated power: 1800W

Lighting: LED bulbs (no replaceable parts)



Meaning of crossed –out wheeled dustbin:

Do not dispose of electrical appliances as unsorted municipal waste, use separate collection facilities.

Contact you local government for information regarding the collection systems available.



If electrical appliances are disposed of in landfills or dumps, hazardous substances can leak into the groundwater and get into the food chain, damaging your health and well-being.

If you have any questions, please contact our customer care center.

Our contact details are below:



0044-800-240-4004



enquiries@mhstar.co.uk

IMPORTER ADDRESS:

MH STAR UK LTD

Unit 27, Perivate Park,

Horsenden lane South

Perivate, UB6 7RH

MADE IN CHINA

Table for information requirements for electric local space heaters

Model identifier(s):820-052_02-0357					
Item	Symbol	Value	Unit	Item	Unit
Heat output				Type of heat input, for electric storage local space heaters only (select one)	
Nominal heat output	P_{nom}	2.0	kW	Manual heat charge control with integrated thermostat	[Not applicable]
Minimum heat output (indicative)	P_{min}	1.0	kW	Manual heat charge control with room and/or outdoor temperature feedback	[Not applicable]
Maximum continuous heat output	P_{max}	2.0	kW	Electronic heat charge control with room and/or outdoor temperature feedback	[Not applicable]
Auxiliary electricity consumption				Fan assisted heat output	[Not applicable]
At nominal heat output	eI_{max}	0.014 (fan motor)	kW	Type of heat output/room temperature control (select one)	
At minimum heat output	eI_{min}	0.014 (fan motor)	kW	Single stage heat output and no room temperature control	[no]
In standby mode	eI_{SB}	0.48	W	Two or more manual stages, no room temperature control	[no]
				With mechanic thermostat room temperature control	[no]
				With electronic room temperature control	[no]
				Electronic room temperature control plus day timer	[no]
				Electronic room temperature control plus week timer	[yes]
				Other control options (multiple selections possible)	
				Room temperature control, with presence detection	[no]
				Room temperature control, with open window detection	[no]
				With distance control option	[no]
				With adaptive start control	[yes]
				With working time limitation	[no]
				With black bulb sensor	[no]
Contact details:	IMPORTER ADDRESS: MH STAR UK LTD Unit 27, Perivale Park, Horsenden lane South Perivale, UB6 7RH MADE IN CHINA				
Remark: For electric local space heaters, the measured seasonal space heating energy efficiency η_s cannot be worse than the declared value at the nominal heat output of the unit.					

Table for information requirements for electric local space heaters

Model identifier(s):820-053_02-0358					
Item	Symbol	Value	Unit	Item	Unit
Heat output				Type of heat input, for electric storage local space heaters only (select one)	
Nominal heat output	P_{nom}	1.8	kW	Manual heat charge control with integrated thermostat	[Not applicable]
Minimum heat output (indicative)	P_{min}	0.9	kW	Manual heat charge control with room and/or outdoor temperature feedback	[Not applicable]
Maximum continuous heat output	P_{max}	1.8	kW	Electronic heat charge control with room and/or outdoor temperature feedback	[Not applicable]
Auxiliary electricity consumption				Fan assisted heat output	[Not applicable]
At nominal heat output	eI_{max}	0.014 (fan motor)	kW	Type of heat output/room temperature control (select one)	
At minimum heat output	eI_{min}	0.014 (fan motor)	kW	Single stage heat output and no room temperature control	[no]
In standby mode	eI_{SB}	0.48	W	Two or more manual stages, no room temperature control	[no]
				With mechanic thermostat room temperature control	[no]
				With electronic room temperature control	[no]
				Electronic room temperature control plus day timer	[no]
				Electronic room temperature control plus week timer	[yes]
				Other control options (multiple selections possible)	
				Room temperature control, with presence detection	[no]
				Room temperature control, with open window detection	[no]
				With distance control option	[no]
				With adaptive start control	[yes]
				With working time limitation	[no]
				With black bulb sensor	[no]
Contact details:	IMPORTER ADDRESS: MH STAR UK LTD Unit 27, Perivale Park, Horsenden lane South Perivale, UB6 7RH MADE IN CHINA				

Remark:

For electric local space heaters, the measured seasonal space heating energy efficiency η_s cannot be worse than the declared value at the nominal heat output of the unit.



Chauffe-foyer



**IMPORTANT : LIRE ATTENTIVEMENT ET CONSERVEZ CE MANUEL
POUR VOUS Y REFERER ULTERIEUREMENT**

Assemblage & manuel d'instructions

Pour commencer

Retirez l'appareil de sa boîte.

Enlevez tous les emballages du produit.

Placez les emballages à l'intérieur de la boîte ou jetez les proprement.

Contenu colis

Le corps de la cheminée

Panneau frontal

Paquet de caillou

Paquet de fixations qui contient:

Vis et chevilles murales

Support de fixation

Télécommande

Manuel instruction

Caractéristiques

Contrôle à Distance

Effet de flammes dansantes

Façade démontable

Chauffage avec 2 positions

Sécurité Thermique

2 positions de chauffage

Montage au mur

Consignes de Sécurité

Quand vous utilisez cet appareil électrique, les mesures basiques de sécurité doivent être respectées.

- Ne utilisez pas l'appareil tant qu'il n'est pas fixé en toute sécurité comme décrit dans ce manuel.
- Avant de brancher l'appareil, vérifiez que la tension du réseau correspond bien à celle indiquée sur la plaque signalétique de l'appareil.
- Si le cordon d'alimentation est endommagé, il doit être remplacé par un ingénieur qualifié afin d'éviter tout risque de danger.
- La cheminée ne doit pas être installée directement sous la prise électrique.
- Gardez à distance (au moins 1 m) de vos meubles, rideaux et autres objets sensibles aux flammes à votre cheminée.
- Ne laissez pas l'appareil fonctionner sans surveillance.
- Ne laissez pas l'appareil être branché sans surveillance
- Gardez l'appareil hors de portée des enfants et ne les laissez pas utiliser l'appareil.
- Cet appareil est destiné à un usage familial à domicile et non dans le but industriel.
- Ne faites pas fonctionner l'appareil après un dysfonctionnement ou après avoir été jeté ou endommagé de quelle façon que ce soit.
- La réparation de cet appareil électrique doit seulement être effectuée par quelqu'un de qualifié, un électricien par exemple.
- Une réparation inappropriée peut confronter l'utilisateur à de sérieux risques et dangers.
- Ne glissez pas les fils sous un tapis, rideaux, etc...
- Ne laissez pas les fils trainer en l'air ou au contact de surface chaude.



- **AVERTISSEMENT:** afin d'éviter tout risque de surchauffe, ne recouvrez pas la cheminée.
- Ne utilisez pas la cheminée avec un programmateur, minuteur, système de contrôle à distance externe ou autre appareil qui agirait automatiquement sur la cheminée. Cela du fait qu'un risque d'incendie existe si la cheminée est couverte ou positionnée et programmée de façon incorrecte.
- Ne mettez jamais aucune partie de l'appareil dans l'eau, ni dans aucun autre liquide pour n'importe quelle raison

- Ne utilisez pas cette cheminée à proximité de la baignoire, la douche ou la piscine.
- Ne utilisez pas cet appareil à l'extérieur.
- Ne utilisez pas cet appareil avec des mains humides.
- Ne utilisez jamais cet appareil sur ou à côté des surfaces chaudes.
- Ne faites pas fonctionner la cheminée avec un fil endommagé.
- Avant de nettoyer l'appareil, assurez-vous que la cheminée est correctement débranchée et qu'elle est froide.
- Ne nettoyez pas l'appareil avec des produits chimiques abrasifs.
- Ne utilisez jamais des accessoires qui ne sont pas conseillés ou fournis. Cela pourrait entraîner un danger pour l'utilisateur ou endommager l'appareil.
- Cet appareil n'est pas destiné à un usage par des personnes (enfants aussi) présentant des problèmes de santé, ou un manque de connaissance et d'expérience concernant l'utilisation et fonctionnement de l'appareil. A moins qu'ils soient sous la surveillance d'un adulte connaissant le produit.
- Les enfants doivent être surveillés pour s'assurer qu'ils ne jouent pas avec la cheminée.
- Ne soulevez pas l'appareil par le panneau avant.
- La cheminée ne doit pas être placée immédiatement sous une prise de courant.
- Gardez le haut de la cheminée éloigné d'au moins 1 m à l'écart des plafonds et autres objets pour une ventilation optimale.
- **AVERTISSEMENT:** Cette cheminée n'est pas équipée d'un système de contrôle de la température de la pièce. N'utilisez pas cette cheminée dans des petites pièces quand elles sont occupées par des personnes qui ne peuvent pas sortir tout seul, à moins d'offrir une surveillance constante.
- Les enfants de moins de 3 ans doivent être tenus à l'écart à moins qu'ils soient surveillés en continu.
- Les enfants âgés entre 3 et 8 ans pourront seulement allumer et éteindre la cheminée si celle-ci est installé et placé en position conforme d'utilisation et qu'ils soient sous la surveillance d'un adulte ou informés sur comment utiliser correctement l'appareil en toute sécurité dans de bonnes conditions.
- **PRUDENCE:** certaines pièces de ce produit peuvent devenir très chaudes et causer des brûlures. Une attention toute particulière doit être accordée aux enfants et personnes vulnérables quand ils sont présents à proximité.
- Cet appareil peut être utilisé par des enfants à partir de 8 ans et plus, et personnes avec des capacités physiques ou mentales réduites, s'ils sont sous la supervision d'un adulte et qu'ils sont bien informés et ont la connaissance du fonctionnement de l'appareil en de bonnes conditions, avec la conscience des dangers que peut impliquer son utilisation.
- Le nettoyage et la maintenance de l'utilisateur ne doivent pas être effectués par des enfants sans la surveillance d'un adulte.

Conseils utiles avant montage

Veillez conserver tous les emballages jusqu'à ce que vous avez vérifié et compté toutes les pièces et le contenu du paquet de pièces de fixation suivant la liste de pièces établies.

Ce paquet de pièces qui contient des petites pièces, celles-ci doivent être conservées à l'écart des jeunes enfants.

Nous vous conseillons d'ouvrir ce paquet et de ranger tout son contenu dans une boîte, cela réduira le risque de perdre les petites pièces.

Installation

Veillez ne pas brancher le radiateur tant qu'il n'est pas correctement fixé au mur et les instructions sont entièrement lues.

Les distances minimales doivent être respectées.

Pour installer l'appareil de chauffage, il faut veiller à ne pas endommager les câbles cachés.

S'il vous plaît faire attention lors du perçage des trous.

Cet appareil est conçu pour être fixé de façon permanente sur un mur à une hauteur minimale de 300 mm. Le support mural doit être installé horizontalement et le câble acheminé en bas à droite du radiateur.

Une hauteur de 600 mm du bas du radiateur au sol est recommandée pour une visualisation optimale du lit de combustible (voir Fig.2 pour les dimensions de fixation recommandées) . Gardez le dessus du radiateur à au moins 1000 mm du plafond ou d'autres objets pour une ventilation optimale de la chaleur.

Pour une visualisation optimale, marquez les cinq vis supérieures fixant les positions sur le mur conformément aux dimensions de fixation recommandées - voir Fig.2. Percez des trous avec six forets.

Fixez le support mural à l'aide du bouchon et des vis fournis.

Soulevez délicatement le radiateur en vous assurant que les deux fentes arrière supérieures du radiateur s'engagent dans le support mural (voir Fig.3) et se trouvent au centre.

Amenez doucement le radiateur au niveau du mur.

Marquez la position des deux trous inférieurs - voir Fig.5, retirez le radiateur en vous assurant que le support de fixation inférieur est tourné vers le haut.

Percer et installer la prise murale.

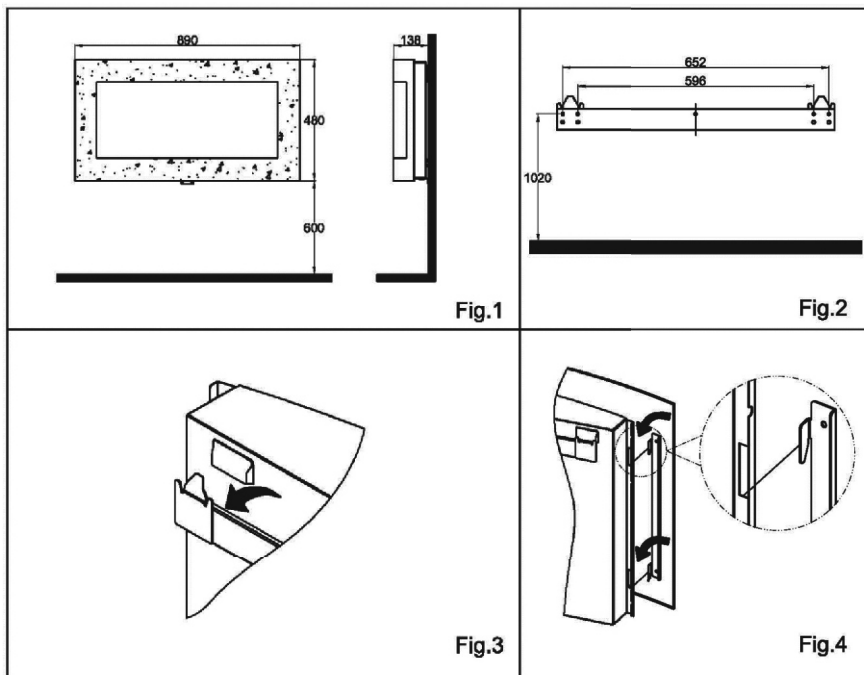
Remettez le radiateur sur le support de fixation murale et faites pivoter le support de fixation inférieur vers le bas et utilisez la vis fournie pour fixer le radiateur en place de façon permanente.

Déballez les cailloux du sac et placez-les le long de l'unité d'éclairage dans la position souhaitée.

Placez le panneau de verre avant sur l'avant du radiateur en alignant les crochets de chaque côté du panneau de verre avec les fentes de chaque côté du corps du radiateur-Voir Fig.4. Faites ensuite glisser le panneau de verre en place. Encore une fois, deux personnes seront nécessaires pour cette opération.

Insérez et serrez la vis du panneau de verre avant - Voir Fig.6 pour fixer le panneau de verre avant au radiateur.(Uniquement pour 820-052 et 820-0357)

820-052,820-0357:



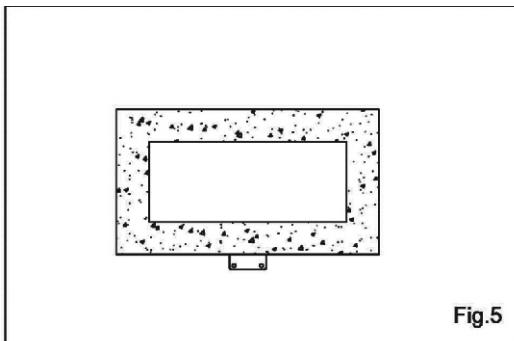


Fig.5

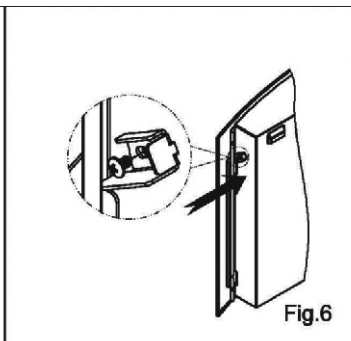
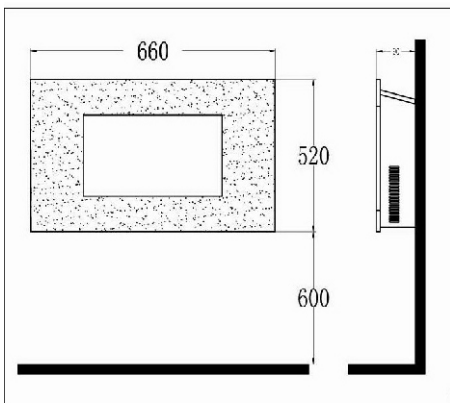
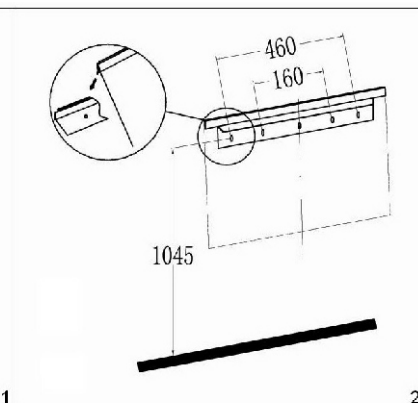


Fig.6

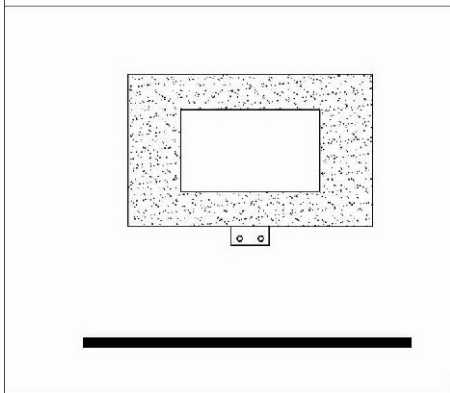
820-053,02-0358:



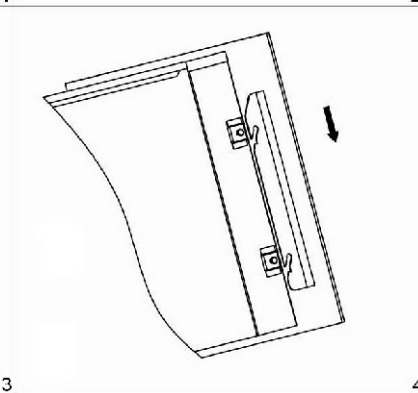
1



2



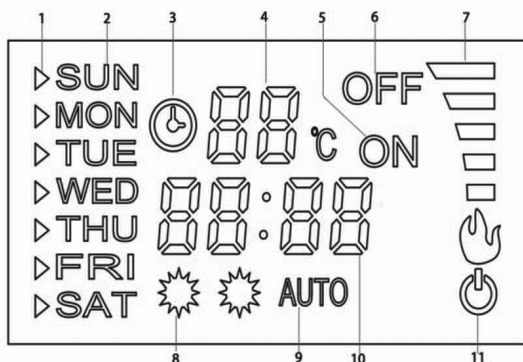
3



4

Instructions d'utilisation

L'appareil peut être mis en marche soit par l'interrupteur situé en haut à droite, soit par la télécommande fournie.



1	Curseur	2	Heure du jour	3	Minuteur
4	affichage de la température / numéro de sé	5	temps ON	6	temps OFF
7	Luminosité de la flamme	8	Position de chauffage	9	Contrôle automatique du chauffage
10	affichage de temps / température	11	Veille		

Affichage de la température et du numéro de série: Normalement, il affiche la température de la pièce; en réglant la température, la température de réglage est affichée; Lors du réglage de la minuterie, le numéro de série est affiché.

Affichage temps / température: Normalement, il affiche l'heure actuelle; Pendant le réglage de la minuterie, l'heure de réglage est affichée. Lorsque vous réglez la température de la minuterie hebdomadaire, la température de réglage est affichée.

Heure d'activation et de désactivation: Elle s'affiche pendant le réglage de la minuterie et elle est utilisée en combinaison avec le réglage du numéro de série.

Luminosité de la flamme: Affiche la luminosité actuelle de la flamme, qui varie de une à cinq positions.

Opération manuelle

Ceci est fait en actionnant les interrupteurs situés en haut à droite du feu. L'interrupteur à bascule de veille doit d'abord être allumé, le feu va bipper pour indiquer qu'il est sous tension.

Appuyez une fois sur le bouton O / I pour allumer l'appareil et allumer le feu. Un voyant rouge s'allume pour indiquer que le feu est allumé.

Appuyez sur la touche O/I pendant 3 secondes pour contrôler le mode variateur. Maintenez la touche enfoncée jusqu'à atteindre la luminosité souhaitée.

820-052,02-0357:

Appuyez une fois sur le bouton POWER pour le réglage de chaleur faible 1000W;

Appuyez deux fois sur le réglage haute température 2000W;

Appuyez sur trois pour désactiver le réglage de chaleur.

820-053,02-0358:

Appuyez une fois sur le bouton POWER pour le réglage de chaleur faible 900W;

Appuyez deux fois sur le réglage haute température 1800W;

Appuyez sur trois pour désactiver le réglage de chaleur.

Appuyez sur le bouton BACK LIGHT pour ajuster les couleurs de la décoration LED, 7 couleurs disponibles.

Opération à distance

L'interrupteur à bascule situé en haut à droite du feu doit d'abord être allumé; le feu émettra un bip pour indiquer qu'il est sous tension.

Il faut un peu de temps au récepteur pour répondre à l'émetteur. N'appuyez pas sur les boutons plus d'une fois dans les deux secondes pour que le feu fonctionne normalement..

1. étapes de démarrage

- 1) Connectez la puissance
- 2) Allumez l'interrupteur d'alimentation
- 3) Appuyez sur la touche "ON / OFF" de la télécommande pour démarrer
- 4) **820-052,02-0357**: Appuyez une fois sur le bouton 1000W/2000W pour le réglage de chaleur faible 1000W; appuyez deux fois sur le réglage haute température 2000W; appuyez sur trois pour désactiver le réglage de chaleur.
820-053,02-0358: Appuyez une fois sur le bouton 900W/1800W pour le réglage de chaleur faible 900W; appuyez deux fois sur le réglage haute température 1800W; appuyez sur trois pour désactiver le réglage de chaleur.
- 5) Appuyez sur le bouton DIMMER pour faire fonctionner le mode de gradation, une pression répétée augmentera et diminuera la luminosité.
- 6) Appuyez sur le bouton BACK LIGHT pour ajuster les couleurs de la décoration LED, 7 couleurs disponibles.

2. Chauffage automatique

Appuyez sur le bouton "IC" de la télécommande pour démarrer ou quitter le chauffage automatique.

Lorsqu'il est allumé, le foyer peut changer automatiquement le mode de chauffage en fonction de la température réglée et de la température ambiante.

Au cours d'un processus de démarrage chronométré, il est possible de commencer à chauffer plus tôt que prévu.

3. Réglage du jour et de l'heure

- 1) Les réglages sont effectués sur la télécommande
- 2) Appuyez sur le bouton "DATE TIME", puis appuyez sur le bouton "▲" ou "▼" pour sélectionner le jour
- 3) Appuyez à nouveau sur le bouton "DATE TIME", puis appuyez sur "+" ou "-" pour régler l'heure
- 4) Appuyez à nouveau sur le bouton "DATE TIME", puis appuyez sur "+" ou "-" pour régler la minute
- 5) Appuyez sur le bouton "OK" pour terminer

4. Réglage de la température

La température par défaut est de 20 °C, appuyez sur "+" ou "-" sur la télécommande pour régler la température, qui va de 15 à 30 °C. Et ce réglage est seulement pour la température en mode normal, pas pour la température en mode minuterie.

REMARQUE: La température de consigne doit être supérieure à la température ambiante pour le traitement thermique.

5. Réglage de la minuterie

1) Description du réglage de la minuterie

Il y a jusqu'à 10 éléments pour le réglage de la minuterie.

Chaque élément de réglage a sa date, son heure de mise sous tension et son heure d'arrêt

Le max. la durée de chaque paramètre est de 23 heures 50 minutes.

La date de réglage pour chaque article peut être n'importe quel jour ou jours de la semaine

La date de chaque élément de réglage représente la date de mise sous tension.

Si l'heure d'arrêt du réglage tombe le deuxième jour, il est inutile de régler la date - vous venez de régler le temps d'arrêt.

2) Étapes pour afficher le réglage de la minuterie

Appuyez sur le bouton "TIMER SET"

Appuyez sur "+" ou "-" pour vérifier le temps de mise sous tension de la minuterie un par un.

Pour vérifier l'heure d'arrêt, appuyez sur le bouton "▲"

Appuyez sur "+" ou "-" pour continuer à regarder

Pour supprimer l'élément de réglage actuel, appuyez sur "C" pour supprimer

3) Étapes pour le réglage de la minuterie

(I) Sélectionnez les paramètres du numéro de série

Appuyez sur le bouton "TIMER SET", et le numéro de série commence à clignoter

Appuyez sur "+" ou "-" pour changer le numéro de série jusqu'à ce que vous obteniez le numéro de série que vous devez définir ou modifier.

(II) Sélectionnez la date

Appuyez à nouveau sur le bouton "TIMER SET" et le curseur sur le côté gauche du jour commence à clignoter

Appuyez sur les touches "▲" ou "▼" pour déplacer le curseur sur le jour correspondant, appuyez sur "+" pour ajouter le jour correspondant, ou appuyez sur "-" pour supprimer le jour jusqu'à ce que vous ayez terminé la sélection de toutes les dates

(III) Définir l'heure de début

Continuez à appuyer sur le bouton "TIMER SET", l'heure commence à clignoter

Appuyez sur "+" ou "-" pour régler l'heure

Continuez à appuyer sur le bouton "TIMER SET", les minutes clignent

Appuyez sur "+" ou "-" pour régler les minutes

(IV) Définir le temps d'arrêt

Appuyez ensuite sur le bouton "TIMER SET", l'affichage est éteint et l'heure commence à clignoter.

Appuyez sur "+" ou "-" pour régler l'heure.

Continuez à appuyer sur le bouton "TIMER SET", les minutes clignent

Appuyez sur "+" ou "-" pour régler les minutes

(V) Réglez la température

Appuyez ensuite sur le bouton "TIMER SET" et le réglage de la température commence à clignoter. À ce moment, la température affichée est normalement la température réglée, qui peut être ajustée en appuyant sur "+" ou "-"

(VI) Appuyez sur le bouton "TIMER SET" pour continuer le réglage, et appuyez sur "OK" pour terminer le réglage

6. Interrupteur de minuterie

"TIMER ON / OFF" est de contrôler l'ouverture et la fermeture temporisées

Redémarrez la machine après la coupure de l'alimentation, le réglage d'origine est conservé, mais la date et l'heure actuelles doivent être réinitialisées

REMARQUE 1: Lorsque la minuterie de la semaine est sous tension, vous devez activer la fonction de chauffage, ou bien, lorsque la machine fonctionne à nouveau, seul l'effet de flamme fonctionnera.

REMARQUE 2: répétez les mêmes procédures pour définir plus de cycles de synchronisation si nécessaire une fois le cycle de synchronisation 01 terminé.

REMARQUE 3: Lorsque le réglage de la minuterie hebdomadaire est terminé, la fonction "TIMER ON / OFF" peut être efficace.

Coupure de sécurité

Cet appareil est équipé d'une coupure de sécurité qui fonctionnera si le feu surchauffe (par exemple en raison de bouches d'aération bloquées). Pour des raisons de sécurité, le feu ne sera pas réinitialisé automatiquement.

Pour réinitialiser l'appareil, débranchez l'appareil de l'alimentation secteur pendant au moins 15 minutes. Rebranchez l'alimentation secteur et allumez l'appareil.

Dépannage

Symptôme	Solution
Pas d'opération / pas de ventilateur.	Vérifiez si la fiche électrique est branchée dans la prise. Vérifier l'opération de coupure de sécurité..
Aucune lumière d'effet de feu.	Vérifiez le système LED par un électricien qualifié

Nettoyage et entretien

Attention - Toujours débrancher l'alimentation secteur avant de nettoyer le chauffage.

Pour un nettoyage général, utilisez un chiffon propre et doux - n'utilisez jamais d'abrasifs ou de nettoyeurs puissants.

L'écran de visualisation en verre doit être soigneusement nettoyé avec un chiffon doux.

N'utilisez PAS de nettoyeurs pour vitres exclusifs.

Ce produit n'utilise pas d'ampoule standard pour son effet de flamme. L'appareil utilise un système LED à commande électronique pour créer l'effet, par conséquent, aucune pièce ne doit être remplacée. Il n'y a aucune pièce réparable par l'utilisateur sur cet appareil. L'appareil ne doit en aucun cas être entretenu par quelqu'un d'autre qu'un électricien qualifié.

Disposition

À la fin de la vie utile du produit, il doit être éliminé de manière réfléchie et en toute sécurité, conformément aux réglementations locales. La fiche doit être retirée du cordon d'alimentation et le cordon d'alimentation coupé de l'appareil de chauffage

Spécifications techniques

820-052,02-0357

Approvisionnement: 220-240 V ~ 50Hz

Puissance nominale: 2000W

Eclairage: ampoules LED (pas de pièces remplaçables)

820-053,02-0358:

Approvisionnement: 220-240 V ~ 50Hz

Puissance nominale: 1800W

Eclairage: ampoules LED (pas de pièces remplaçables)



Signification de poubelle à roues barrée:

Ne jetez pas les appareils électriques avec les déchets municipaux non triés, utilisez des installations de collecte séparées.

Contactez le gouvernement local pour obtenir des informations sur les systèmes de collecte disponibles.

Si des appareils électriques sont jetés dans des décharges ou des décharges, des substances dangereuses peuvent s'infiltrer dans les eaux souterraines et entrer dans la chaîne alimentaire, endommageant ainsi votre santé et votre bien-être.

Si vous avez la moindre question, veuillez contacter notre centre d'assistance à la clientèle. Nos coordonnées sont les suivantes:



0033-1-84166106



aosom@mhfrance.fr

Importé par :

MH France

2, rue Maurice Hartmann

92130 Issy-les-Moulineaux

France

Fabriqué en Chine

Tableau des exigences en matière d'information pour les appareils de chauffage décentralisés électriques

Identificateur(s) du modèle : 820-052_02-0357					
Article	Symbole	Valeur	Unité	Article	Unité
Production de chaleur			Type d'apport de chaleur, uniquement pour les appareils de chauffage locaux à accumulation électrique (sélectionnez-en un)		
Puissance calorifique nominale	P_{nom}	2,0	kW	Contrôle manuel de la charge thermique avec thermostat intégré	[Non applicable]
Puissance calorifique minimale (à titre indicatif)	P_{min}	1,0	kW	Contrôle manuel de la charge thermique avec rétroaction de la température ambiante et / ou extérieure	[Non applicable]
Puissance thermique continue maximale	P_{max}	2,0	kW	Contrôle électronique de la charge thermique avec rétroaction de la température ambiante et / ou extérieure	[Non applicable]
Consommation d'électricité auxiliaire			Sortie de chaleur assistée par ventilateur		[Non applicable]
À la puissance calorifique nominale	$e_{l_{max}}$	0,014 (moteur de ventilateur)	kW	Type de contrôle de la puissance thermique/de la température ambiante (sélectionnez-en un)	
Au minimum de puissance thermique	$e_{l_{min}}$	0,014 (moteur de ventilateur)	kW	Sortie de chaleur à un étage et pas de contrôle de la température ambiante	[non]
En mode veille	$e_{l_{SB}}$	0.48	W	Deux étapes manuelles ou plus, pas de contrôle de la température ambiante	[non]
				Contrôle de la température ambiante avec thermostat mécanique	[non]
				Avec contrôle électronique de la température ambiante	[non]
				Contrôle électronique de la température ambiante et minuterie	[non]
				Contrôle électronique de la température ambiante plus minuterie hebdomadaire	[oui]
				Autres options de contrôle (sélections multiples possibles)	
				Contrôle de la température ambiante, avec détection de présence	[non]
				Contrôle de la température ambiante, avec détection de fenêtre ouverte	[non]
				Avec option de commande à distance	[non]
				Avec contrôle de démarrage adaptatif	[oui]
				Avec limitation du temps de fonctionnement	[non]
				Avec capteur d'ampoule noire	[non]
Coordonnées:	ADRESSE D'IMPORTATION: MH FRANCE 2 Rue Maurice Hartmann 92130 Issy Les Moulineaux France/ FABRIQUÉ EN CHINE				

Note: Pour les appareils de chauffage décentralisés électriques, l'efficacité énergétique saisonnière mesurée en matière de chauffage des locaux ne peut être inférieure à la valeur déclarée à la puissance calorifique nominale de l'unité.

Tableau des exigences en matière d'information pour les appareils de chauffage décentralisés électriques

Identificateur(s) du modèle : 820-053_02-0358					
Article	Symbole	Valeur	Unité	Article	Unité
Production de chaleur				Type d'apport de chaleur, uniquement pour les appareils de chauffage locaux à accumulation électrique (sélectionnez-en un)	
Puissance calorifique nominale	P_{nom}	1,8	kW	Contrôle manuel de la charge thermique avec thermostat intégré	[Non applicable]
Puissance calorifique minimale (à titre indicatif)	P_{min}	0,9	kW	Contrôle manuel de la charge thermique avec rétroaction de la température ambiante et / ou extérieure	[Non applicable]
Puissance thermique continue maximale	P_{max}	1,8	kW	Contrôle électronique de la charge thermique avec rétroaction de la température ambiante et / ou extérieure	[Non applicable]
Consommation d'électricité auxiliaire				Sortie de chaleur assistée par ventilateur	
À la puissance calorifique nominale	$e_{l_{max}}$	0,014 (moteur de ventilateur)	kW	Type de contrôle de la puissance thermique/de la température ambiante (sélectionnez-en un)	
Au minimum de puissance thermique	$e_{l_{min}}$	0,014 (moteur de ventilateur)	kW	Sortie de chaleur à un étage et pas de contrôle de la température ambiante	[non]
En mode veille	$e_{l_{SB}}$	0.48	W	Deux étapes manuelles ou plus, pas de contrôle de la température ambiante	[non]
				Contrôle de la température ambiante avec thermostat mécanique	[non]
				Avec contrôle électronique de la température ambiante	[non]
				Contrôle électronique de la température ambiante et minuterie	[non]
				Contrôle électronique de la température ambiante plus minuterie hebdomadaire	[oui]
				Autres options de contrôle (sélections multiples possibles)	
				Contrôle de la température ambiante, avec détection de présence	[non]
				Contrôle de la température ambiante, avec détection de fenêtre ouverte	[non]
				Avec option de commande à distance	[non]
				Avec contrôle de démarrage adaptatif	[oui]
				Avec limitation du temps de fonctionnement	[non]
				Avec capteur d'ampoule noire	[non]
Coordonnées:	ADRESSE D'IMPORTATION: MH FRANCE 2 Rue Maurice Hartmann 92130 Issy Les Moulineaux France/ FABRIQUÉ EN CHINE				

Note: Pour les appareils de chauffage décentralisés électriques, l'efficacité énergétique saisonnière mesurée en matière de chauffage des locaux ne peut être inférieure à la valeur déclarée à la puissance calorifique nominale de l'unité.



Elektrischer Kamin



**WICHTIG, FÜR DIE SPÄTERE VERWENDUNG AUFBEWAHREN:
SORGFÄLTIG DURCHLESEN**

MONTAGEANWEISUNGEN

Anfangen

Entfernen Sie das Gerät aus der Verpackung.

Entfernen Sie alle Verpackungsmaterialien vom Produkt.

Legen Sie die Verpackung in die Box und lagern oder entsorgen Sie sie sicher.

In der Box

Feuerkörper.

Frontblende.

Pebble Packung

Verdecktes Befestigungspaket mit:

Schrauben und Dübel

Befestigungswinkel

Fernbedienung

Bedienungsanleitung

Eigenschaften

Fernbedienung

Tanzender Flammeneffekt

Abnehmbare Front

Heizung mit zwei Einstellungen

Thermischer Ausschnitt

Zwei Heizstufen

An der Wand montierbar

Sicherheitshinweise

- Bei der Verwendung von Elektrogeräten sollten grundlegende Sicherheitsvorkehrungen immer befolgt werden.
- Verwenden Sie das Gerät nicht, bis es wie in dieser Anleitung beschrieben sicher befestigt ist.
- Überprüfen Sie, ob die auf dem Typenschild angegebene Spannung mit der des lokalen Netzwerks übereinstimmt, bevor Sie das Gerät an das Stromnetz anschließen.
- Überprüfen Sie von Zeit zu Zeit das Kabel auf Beschädigungen. Verwenden Sie das Gerät niemals, wenn das Netzkabel oder Teile des Geräts Beschädigungen aufweisen.
- Wenn das Netzkabel beschädigt ist, muss es von einem qualifizierten Techniker ausgetauscht werden, um Gefahren zu vermeiden.
- Halten Sie Möbel, Vorhänge und anderes brennbares Material mindestens 1 Meter vom Gerät entfernt.
- Lassen Sie das Gerät während des Gebrauchs nicht unbeaufsichtigt.
- Lassen Sie das Gerät während des Anschlusses an das Stromnetz nicht unbeaufsichtigt.
- Darf nicht in die Hände von Kindern gelangen und darf nicht in Betrieb genommen werden.
- Dieses Gerät ist nur für den Hausgebrauch bestimmt und sollte nicht für industrielle Zwecke verwendet werden.
- Betreiben Sie das Gerät nicht nach einer Fehlfunktion oder nach einem Sturz oder einer Beschädigung.
- Reparaturen an elektrischen Geräten dürfen nur von einem qualifizierten Elektriker durchgeführt werden.
- Unsachgemäße Reparaturen können den Benutzer ernsthaft gefährden.
- Verlegen Sie das Netzkabel nicht unter Teppichen, Teppichen usw.
- Lassen Sie das Netzkabel nicht über scharfe Kanten hängen oder in Kontakt mit heißen Oberflächen kommen.



WARNUNG: Um Überhitzung zu vermeiden, decken Sie das Heizgerät nicht ab.

- Tauchen Sie das Produkt aus irgendwelchen Gründen niemals in Wasser oder andere Flüssigkeiten.
- Verwenden Sie dieses Heizgerät nicht in unmittelbarer Nähe von Badewannen, Duschen oder Schwimmbädern.
- Verwenden Sie das Gerät nicht im Freien.
- Verwenden Sie nicht, wenn Sie nasse Hände haben.
- Benutzen Sie das Gerät niemals auf oder in der Nähe von heißen Oberflächen.
- Verwenden Sie kein beschädigtes Kabel.
- Bevor Sie das Gerät reinigen, vergewissern Sie sich, dass es von der Stromversorgung getrennt und vollständig abgekühlt ist.
- Reinigen Sie das Gerät nicht mit scheuernden Chemikalien.
- Verwenden Sie niemals Zubehörteile, die nicht vom Hersteller empfohlen oder geliefert werden. Dies könnte zu einer Gefahr für den Benutzer oder zu Schäden am Gerät führen.
- Dieses Gerät ist nicht für den Gebrauch durch Personen (einschließlich Kinder) mit eingeschränkten physischen, sensorischen oder geistigen Fähigkeiten oder mangelnder Erfahrung und Kenntnissen bestimmt, es sei denn, sie wurden von einer für ihre Sicherheit verantwortlichen Person beaufsichtigt oder instruiert.
- Kinder sollten beaufsichtigt werden, um sicherzustellen, dass sie nicht mit dem Gerät spielen.
- Heben Sie das Gerät nicht an der Frontplatte an.
- Das Heizgerät darf nicht unmittelbar unter einer Steckdose stehen.
- Halten Sie die Oberseite des Heizelements mindestens 1000 mm von der Decke oder anderen Objekten entfernt, um eine optimale Wärmebelüftung zu gewährleisten.
- ACHTUNG: Um eine Gefährdung durch versehentliches Zurücksetzen des Temperaturschalters zu vermeiden, darf dieses Gerät nicht über ein externes Schaltgerät, z. B. einen Timer, oder an einen Stromkreis angeschlossen werden, der regelmäßig vom Netzgerät ein- und ausgeschaltet wird.
- WARNUNG: Dieses Heizgerät ist nicht mit einem Gerät zur Steuerung der Raumtemperatur ausgestattet. Verwenden Sie dieses Heizgerät nicht in kleinen Räumen, wenn diese von Personen besetzt sind, die den Raum nicht alleine verlassen können, es sei denn, es wird ständig überwacht.
- Kinder unter 3 Jahren sollten ferngehalten werden, es sei denn, sie werden ständig beaufsichtigt.
- Kinder im Alter von 3 Jahren und weniger als 8 Jahren dürfen das Gerät nur dann an- / ausschalten, wenn es in seiner vorgesehenen normalen Betriebsstellung aufgestellt oder installiert wurde und ihnen eine Aufsicht oder Anleitung zum sicheren Gebrauch des Gerätes gegeben wurde und die damit verbundenen Gefahren verstehen. Kinder im Alter von 3 Jahren und weniger als 8 Jahren dürfen das Gerät nicht anschließen, regulieren und reinigen oder Wartungsarbeiten durchführen.
- VORSICHT - Einige Teile dieses Produkts können sehr heiß werden und Verbrennungen verursachen. Besondere Aufmerksamkeit ist dort zu suchen, wo Kinder und gefährdete Personen anwesend sind.
- Dieses Gerät kann von Kindern ab 8 Jahren und Personen mit eingeschränkten physischen, sensorischen oder mentalen Fähigkeiten oder mangelnder Erfahrung und Kenntnissen verwendet werden, wenn sie beaufsichtigt oder in Bezug auf die Verwendung des Geräts auf sichere Weise unterwiesen wurden Gefahren beteiligt.
- Reinigung und Wartung durch den Benutzer dürfen nicht von Kindern ohne Aufsicht durchgeführt werden.

Hilfreiche Tipps vor dem Anpassen

Bitte bewahren Sie alle Verpackungen auf, bis Sie alle Teile und den Inhalt der Befestigungspackung gegen die Stückliste abgeglichen und gezählt haben.

Die Befestigungspackung enthält kleine Gegenstände, die von kleinen Kindern ferngehalten werden sollten.

Wir empfehlen Ihnen, die Fixierpackung zu öffnen und den gesamten Inhalt in einen Behälter zu geben, um so das Risiko zu verringern, dass kleine Teile verloren gehen.

Installation

Schließen Sie das Heizgerät erst dann an, wenn es ordnungsgemäß an der Wand befestigt ist und die Anleitung vollständig gelesen wurde.

Die Mindestabstände müssen eingehalten werden.

Bei der Installation des Heizgeräts ist darauf zu achten, dass verdeckte Kabel nicht beschädigt werden.

Bitte gehen Sie beim Bohren der Löcher vorsichtig vor.

Dieses Gerät ist für die dauerhafte Befestigung an einer Wand in einer Mindesthöhe von 300 mm vorgesehen. Die Wandhalterung muss horizontal montiert und das Kabel rechts unten am Heizgerät geführt werden.

Für eine optimale Sicht auf das Brennstoffbett wird eine Höhe von 600 mm vom Boden des Heizgeräts bis zum Boden empfohlen (siehe Abb.2 für empfohlene Befestigungsmaße).

Halten Sie die Oberseite des Heizgeräts mindestens 1000 mm von der Decke oder sonstigen Gegenständen entfernt, um eine optimale Wärmeabfuhr zu gewährleisten.

Für eine optimale Sicht die oberen fünf Befestigungspositionen der Schrauben an der Wand entsprechend den empfohlenen Befestigungsmaßen markieren - siehe Abb.2.

Bohren Sie die Löcher mit einem sechsfachen Bohrer.

Befestigen Sie die Wandhalterung mit den mitgelieferten Dübeln und Schrauben.

Heben Sie das Heizgerät vorsichtig an und achten Sie darauf, dass die beiden oberen hinteren Schlitze des Heizgeräts in die Wandhalterung eingreifen (siehe Abb.3) und mittig sitzen.

Bringen Sie das Heizgerät vorsichtig auf die gleiche Höhe wie die Wand.

Die Position der beiden unteren Löcher markieren - siehe Abb.5, das Heizgerät abnehmen und darauf achten, dass der untere Befestigungsbügel nach oben gedreht wird.

Bohren und Dübel einsetzen.

Bringen Sie das Heizgerät wieder an der Wandbefestigungsklammer an, drehen Sie die untere Befestigungsklammer wieder nach unten und verwenden Sie die mitgelieferte Schraube, um das Heizgerät dauerhaft an seinem Platz zu befestigen.

Packen Sie die Kieselsteine aus dem Beutel aus und platzieren Sie sie entlang der Leuchteinheit in der von Ihnen gewünschten Position.

Legen Sie die vordere Glasplatte über die Vorderseite des Heizelements und richten Sie die Haken auf jeder Seite der Glasplatte mit den Schlitzen auf jeder Seite des Heizelements aus - siehe Abb.4. Schieben Sie dann die Glasplatte an ihren Platz nach unten. Für diesen Vorgang sind zwei Personen erforderlich.

Setzen Sie die Schraube der Frontglasplatte ein und ziehen Sie sie fest - siehe Abb.6, um die Frontglasplatte am Heizgerät zu befestigen. (Nur für 820-052 und 820-0357)

820-052,820-0357:

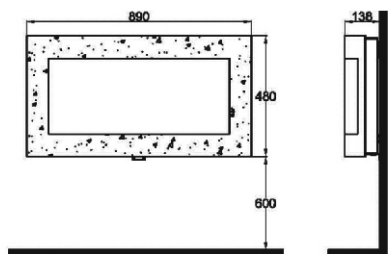


Fig.1

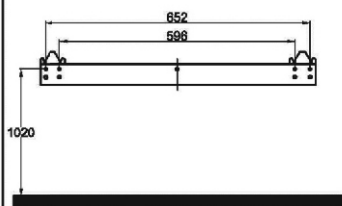


Fig.2

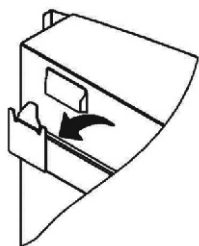


Fig.3

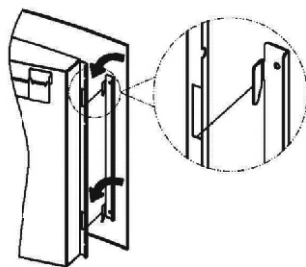


Fig.4

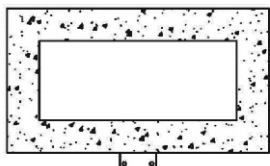


Fig.5

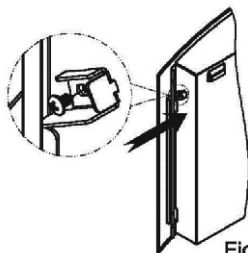
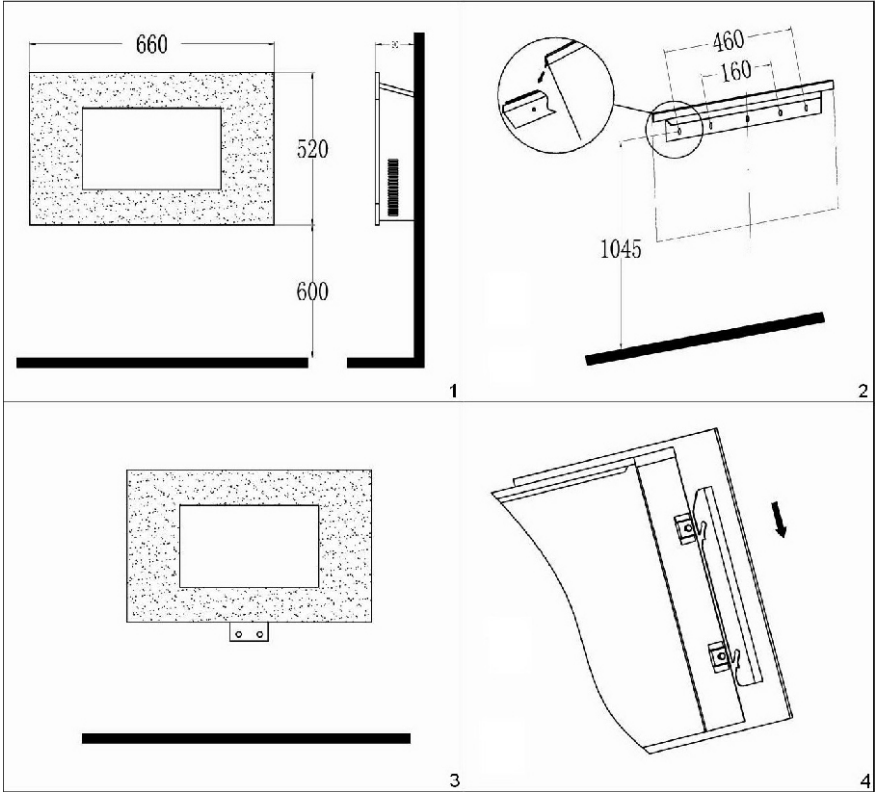


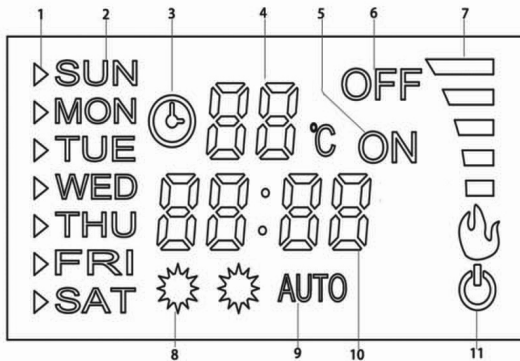
Fig.6

820-053,02-0358:



Gebrauchsanweisung

Das Gerät kann entweder über die Schalter oben rechts am Feuer oder über die mitgelieferte Fernbedienung bedient werden.



1	Anzeiger	2	Wochentag	3	Timer
4	Temperatur/seriennummerdisplay	5	Timer an	6	Timer aus
7	Flammen-Helligkeit	8	Heizposition	9	Automatische Heizkontrolle
10	Zeit/Temperaturdisplay	11	Standby		

Temperatur- und Seriennummeranzeige: Normalerweise zeigt es die Raumtemperatur an; Während der Einstellung der Temperatur wird die eingestellte Temperatur angezeigt; Beim Einstellen des Timers wird die Seriennummer angezeigt.

Uhrzeit- / Temperaturanzeige: Normalerweise wird die aktuelle Uhrzeit angezeigt; Während der Einstellung des Timers wird die Einstellzeit angezeigt. Beim Einstellen der Temperatur des Wochentimers wird die eingestellte Temperatur angezeigt.

Uhrzeit ein und aus: Sie wird während der Einstellung des Timers angezeigt und wird in Kombination mit der Einstellung der Seriennummer verwendet.

Flammenhelligkeit: Zeigt die aktuelle Helligkeit der Flamme an, die von einer bis zu fünf Positionen reicht.

Handbetrieb

Dies geschieht durch Betätigen der Schalter oben rechts am Feuer. Der Standby-Kippschalter muss zuerst eingeschaltet werden, das Feuer ertönt, um anzuzeigen, dass es eingeschaltet ist.

Drücken Sie die O / I-Taste einmal, um den Geräte- und Feuereffekt einzuschalten. Eine rote Kontrollleuchte zeigt an, dass das Feuer eingeschaltet ist.

Drücken Sie die O/I - Taste für 3 Sekunden, um den Dimmer - Modus zu bedienen. Halten Sie die Taste gedrückt, bis die gewünschte Helligkeit erreicht ist.

820-052,02-0357:

Drücken Sie die POWER Taste einmal für die niedrige Hitzeinstellung 1000W.

Drücken Sie zweimal für die hohe Hitzeinstellung 2000W.

Drücken Sie drei, um die Hitzeinstellung auszuschalten.

820-053,02-0358:

Drücken Sie die POWER Taste einmal für die niedrige Hitzeinstellung 900W.

Drücken Sie zweimal für die hohe Hitzeinstellung 1800W.

Drücken Sie drei, um die Hitzeinstellung auszuschalten.

Drücken Sie die Taste BACK LIGHT, um die Farben der LED-Dekoration, 7 Farben zur Verfügung zu stellen.

Fernoperation

Der Standby-Kippschalter oben rechts am Feuer muss zuerst eingeschaltet sein; Das Feuer piepst, um anzuzeigen, dass es eingeschaltet ist.

Es dauert ein wenig, bis der Empfänger auf den Sender reagiert. Drücken Sie die Tasten nicht mehr als einmal innerhalb von zwei Sekunden, damit das Feuer normal funktioniert.

1. Start Schritte

1) Schließen Sie die Stromversorgung an

2) Schalten Sie den Netzschalter ein

3) Drücken Sie zum Starten die "ON / OFF" -Taste der Fernbedienung

4) **820-052,02-0357:** Drücken Sie die 1000W/2000W Taste einmal für die niedrige Hitzeinstellung 1000W, drücken Sie zweimal für die hohe Hitzeinstellung 2000W, drücken Sie drei, um die Hitzeinstellung auszuschalten.

820-053,02-0358: Drücken Sie die 900W/1800W Taste einmal für die niedrige Hitzeinstellung 900W, drücken Sie zweimal für die hohe Hitzeinstellung 1800W, drücken Sie drei, um die Hitzeinstellung auszuschalten.

- 5) Drücken Sie die DIMMER-Taste, um den Dimmer-Modus zu bedienen. Durch wiederholtes Drücken wird die Helligkeit erhöht oder verringert.
- 6) Drücken Sie die Taste BACK LIGHT, um die Farben der LED-Dekoration, 7 Farben zur Verfügung zu stellen.

2. Automatische Heizung

Drücken Sie die Taste "IC" auf der Fernbedienung, um die automatische Heizung zu starten oder zu beenden.

Nach dem Einschalten kann der Kamin automatisch den Heizmodus in Abhängigkeit von der eingestellten Temperatur und der Raumtemperatur ändern.

Während eines zeitgesteuerten Startvorgangs ist es möglich, die Heizung vorzeitig zu starten.

3. Einstellen von Tag und Uhrzeit

- 1) Einstellungen werden auf der Fernbedienung vorgenommen
- 2) Drücken Sie die Taste " DATE TIME " und dann die Taste "▲" oder "▼", um den Tag auszuwählen
- 3) Drücken Sie die Taste "DATE TIME" erneut, und drücken Sie dann "+" oder "-", um die Stunden einzustellen
- 4) Drücken Sie die Taste "DATE TIME" erneut, und drücken Sie dann "+" oder "-", um die Minuten einzustellen
- 5) Drücken Sie auf "OK", um den Vorgang abzuschließen

4. Temperatureinstellung

Die voreingestellte Temperatur beträgt 20 ° C, drücken Sie "+" oder "-" auf der Fernbedienung, um die Temperatur einzustellen, die von 15 bis 30 ° C reicht. Diese Einstellung gilt nur für die Temperatur im Normalmodus und nicht für die Temperatur im Timermodus.

HINWEIS: Die Solltemperatur muss höher als die Raumtemperatur für die Warmbearbeitung sein.

5. Timer-Einstellung

1) Beschreibung der Timereinstellung

Es gibt bis zu 10 Elemente für die Timereinstellung

Jedes Einstellungselement hat sein Datum, seine Einschaltzeit und seine Abschaltzeit

Die max. Die Dauer jedes Einstellungselements beträgt 23 Stunden und 50 Minuten

Das Einstellungsdatum für jeden Artikel kann ein beliebiger Tag oder Wochentag sein

Das Datum in jedem Einstellungselement repräsentiert das Datum der Einschaltzeit

Wenn die Abschaltzeit der Einstellung auf den zweiten Tag fällt, ist es nicht notwendig, das Datum einzustellen - Sie legen nur die Abschaltzeit fest

2) Schritte zum Anzeigen der Timereinstellung

Drücken Sie die Taste "TIMER SET"

Drücken Sie "+" oder "-", um die Einschaltzeit des Timers nacheinander zu überprüfen.

Um die Abschaltzeit zu überprüfen, drücken Sie die Taste "▲"

Drücken Sie "+" oder "-", um mit der Anzeige fortzufahren

Um die aktuelle Einstellung zu löschen, drücken Sie "C" zum Löschen

3) Schritte für die Timereinstellung

(I) Wählen Sie die Einstellungen der Seriennummer

Drücken Sie die Taste "TIMER SET" und die Seriennummer beginnt zu blinken

Drücken Sie die Taste "+" oder "-", um die Seriennummer zu ändern, bis Sie die Seriennummer erhalten, die Sie einstellen oder ändern müssen.

(II) Wählen Sie das Datum aus

Drücken Sie die Taste "TIMER SET" erneut, und der Cursor auf der linken Seite des Tages beginnt zu blinken

Drücken Sie die Tasten "▲" oder "▼", um den Cursor zum entsprechenden Tag zu bewegen, drücken Sie "+", um den entsprechenden Tag hinzuzufügen, oder drücken Sie "-", um den Tag zu löschen, bis Sie alle Daten ausgewählt haben

(III) Stellen Sie die Startzeit ein

Drücken Sie weiter auf die Taste "TIMER SET", die Stunden beginnen zu blinken

Drücken Sie "+" oder "-", um die Stunde einzustellen

Drücken Sie weiterhin die Taste "TIMER SET", die Minute beginnt zu blinken

Drücken Sie "+" oder "-", um die Minuten einzustellen

(IV) Stellen Sie die Abschaltzeit ein

Drücken Sie dann die Taste "TIMER SET", das Display ist aus und die Stunden beginnen zu blinken

Drücken Sie "+" oder "-", um die Stunde einzustellen.

Drücken Sie weiterhin die Taste "TIMER SET", die Minute beginnt zu blinken

Drücken Sie "+" oder "-", um die Minuten einzustellen

(V) Temperatur einstellen

Drücken Sie dann die Taste "TIMER SET", und die eingestellte Temperatur beginnt zu blinken.

In diesem Moment ist die angezeigte Temperatur normalerweise die eingestellte Temperatur, die durch Drücken von "+" oder "-" eingestellt werden kann.

(VI) Drücken Sie die Taste "TIMER SET", um mit der Einstellung fortzufahren, und drücken Sie "OK", um die Einstellung abzuschließen

6. Zeitschalter

"TIMER ON / OFF" steuert das zeitgesteuerte Öffnen und Schließen

Starten Sie die Maschine nach dem Abschalten der Stromversorgung neu, die ursprüngliche Einstellung bleibt erhalten, aber das aktuelle Datum und die Uhrzeit müssen zurückgesetzt werden

Hinweis 1: Wenn der Wochentimer eingeschaltet ist, sollten Sie die Heizfunktion einschalten, oder wenn die Maschine wieder arbeitet, wird nur der Flammeneffekt funktionieren.

ANMERKUNG 2: Wiederholen Sie das gleiche Verfahren zur Einstellung weiterer Zeitsteuerungszyklen, falls erforderlich, nachdem der Zeitsteuerungszyklus 01 beendet ist.

ANMERKUNG 3: Wenn die Wochentimer-Einstellung beendet ist, kann die Funktion "TIMER ON/OFF" wirksam sein.

Sicherheitsabschaltung

Dieses Gerät ist mit einer Sicherheitsabschaltung ausgestattet, die funktioniert, wenn das Feuer überhitzt (z. B. durch verstopfte Lüftungsöffnungen). Aus Sicherheitsgründen wird das Feuer NICHT automatisch zurückgesetzt.

Um das Gerät zurückzusetzen, trennen Sie das Gerät für mindestens 15 Minuten vom Stromnetz. Schließen Sie das Gerät wieder an das Stromnetz an und schalten Sie das Gerät ein.

Fehlerbehebung

Symptom	Behebung
Keine Operation / kein Ventilator.	Überprüfen Sie, ob der Stecker in die Steckdose gesteckt wurde. Auf Sicherheitsabschaltung prüfen.
Kein Feuereffektlicht.	Lassen Sie das LED -System von einem qualifizierten Elektriker überprüfen.

Reinigung und Instandhaltung

Warnung- Trennen Sie immer das Stromnetz, bevor Sie das Heizgerät reinigen.

Verwenden Sie für die allgemeine Reinigung einen weichen, sauberen Staubtuch - verwenden Sie niemals scharfe Scheuermittel oder Reinigungsmittel.

Der Glasbildschirm sollte vorsichtig mit einem weichen Tuch gereinigt werden. Verwenden Sie KEINE proprietären Glasreiniger.

Dieses Produkt verwendet keine Standardlampe für seinen Flammeneffekt. Das Gerät verwendet ein elektronisch gesteuertes LED-System, um den Effekt zu erzeugen, daher müssen keine Teile ausgetauscht werden. Auf dieser Appliance befinden sich keine Teile, die vom Benutzer gewartet werden können. Unter keinen Umständen darf das Gerät von einem anderen als einem qualifizierten Elektriker gewartet werden.

Entsorgung

Am Ende der Nutzungsdauer des Produkts sollte es gemäß den örtlichen behördlichen Vorschriften sorgfältig und sicher entsorgt werden. Der Stecker sollte vom Netzkabel abgezogen und das Netzkabel vom Heizgerät abgeschnitten werden

Technical Spezifikationen

820-052,02-0357:

Versorgung: 220-240V ~ 50Hz

Nennleistung: 2000W

Beleuchtung: LED-Lampen (keine austauschbaren Teile)

820-053,02-0358:

Versorgung: 220-240V ~ 50Hz

Nennleistung: 1800W

Beleuchtung: LED-Lampen (keine austauschbaren Teile)



Bedeutung vom durchgestrichenen Mülleimer:


Elektrogeräte nicht als unsortierten Hausmüll entsorgen, sondernw getrennte Sammeleinrichtungen verwenden.

Informationen zu den verfügbaren Sammelsystemen erhalten Sie bei Ihrer örtlichen Regierung.

Wenn Elektrogeräte auf Deponien oder Deponien entsorgt werden, können gefährliche Stoffe in das Grundwasser gelangen und in die Nahrungskette gelangen, was Ihre Gesundheit und Ihr Wohlbefinden schädigen kann.

Wenn Sie Fragen haben, wenden Sie sich bitte an unser Kundendienstzentrum.

Unsere Kontaktdaten stehen unten:

 0049-0(40)-88307530

 service@aosom.de

ADRESSE DES IMPORTEURE:

MH Handel GmbH

Wendenstraße 309

D-20537 Hamburg

Germany

IN CHINA HERGESTELLT

Tabelle der Informationsanforderungen für elektrische Raumheizgeräte

Modellbezeichnung(en): 820-052_02-0357					
Artikel	SYMBOL	Wert	Einheit	Artikel	Einheit
Heizleistung				Art der Wärmezufuhr, nur für elektrische Nahheizgeräte (wählen Sie eine aus)	
Nennwärmeleistung	P_{nom}	2,0	kW	Manuelle Heizlastregelung mit integriertem Thermostat	[Nicht zutreffend]
Minimale Heizleistung (Indikativ)	P_{min}	1,0	kW	manuelle Heizladeregelung mit Raum- und/oder Außentemperaturrückführung	[Nicht zutreffend]
Maximale Dauerheizleistung	P_{max}	2,0	kW	elektronische Heizladeregelung mit Raum- und/oder Außentemperaturrückführung	[Nicht zutreffend]
Hilfsenergieverbrauch				lüftergestützte Heizleistung	[Nicht zutreffend]
Bei Nennwärmeleistung	eI_{max}	0,014 (Motor Ventilator)	kW	Art der Heizleistungs-/Raumtemperaturregelung (wählen Sie eine aus)	
Bei minimaler Heizleistung	eI_{min}	0,014 (Motor Ventilator)	kW	einstufige Heizleistung und keine Raumtemperaturregelung	[nein]
Im Standby-Betrieb	eI_{SB}	0.48	W	zwei oder mehr manuelle Stufen, keine Raumtemperaturregelung	[nein]
				mit mechanischem Thermostat Raumtemperaturregelung	[nein]
				mit elektronischer Raumtemperaturregelung	[nein]
				elektronische Raumtemperaturregelung plus Tagestimer	[nein]
				elektronische Raumtemperaturregelung plus Wochentimer	[ja]
				Weitere Steuerungsoptionen (Mehrfachauswahl möglich)	
				Raumtemperaturregelung, mit Anwesenheitserfassung	[nein]
				mit Raumtemperaturregelung, mit Fenster-offen-Erkennung	[nein]
				mit Option Abstandsregelung	[nein]
				mit adaptiver Startsteuerung	[ja]
				mit Betriebszeitbegrenzung	[nein]
				mit Schwarzlichtsensor	[nein]
Kontaktinformationen:	ADRESSE DES IMPORTEURE: MH Handel GmbH Wendenstraße 309 D-20537 Hamburg Germany				

Hinweis:

Bei elektrischen Nahheizgeräten darf die gemessene saisonale Raumheizungs-Energieeffizienz η_s nicht schlechter sein als der deklarierte Wert bei der Nennwärmeleistung des Geräts.

Tabelle der Informationsanforderungen für elektrische Raumheizgeräte

Modellbezeichnung(en): 820-053_02-0358					
Artikel	SYMBOL	Wert	Einheit	Artikel	Einheit
Heizleistung				Art der Wärmezufuhr, nur für elektrische Nahheizgeräte (wählen Sie eine aus)	
Nennwärmeleistung	P_{nom}	1,8	kW	Manuelle Heizlastregelung mit integriertem Thermostat	[Nicht zutreffend]
Minimale Heizleistung (Indikativ)	P_{min}	0,9	kW	manuelle Heizladeregelung mit Raum- und/oder Außentemperaturrückführung	[Nicht zutreffend]
Maximale Dauerheizleistung	P_{max}	1,8	kW	elektronische Heizladeregelung mit Raum- und/oder Außentemperaturrückführung	[Nicht zutreffend]
Hilfsenergieverbrauch				lüftergestützte Heizleistung	[Nicht zutreffend]
Bei Nennwärmeleistung	$e_{l,max}$	0,014 (Motor Ventilator)	kW	Art der Heizleistungs-/Raumtemperaturregelung (wählen Sie eine aus)	
Bei minimaler Heizleistung	$e_{l,min}$	0,014 (Motor Ventilator)	kW	einstufige Heizleistung und keine Raumtemperaturregelung	[nein]
Im Standby-Betrieb	$e_{l,SB}$	0.48	W	zwei oder mehr manuelle Stufen, keine Raumtemperaturregelung	[nein]
				mit mechanischem Thermostat Raumtemperaturregelung	[nein]
				mit elektronischer Raumtemperaturregelung	[nein]
				elektronische Raumtemperaturregelung plus Tagestimer	[nein]
				elektronische Raumtemperaturregelung plus Wochentimer	[ja]
				Weitere Steuerungsoptionen (Mehrfachauswahl möglich)	
				Raumtemperaturregelung, mit Anwesenheitserfassung	[nein]
				mit Raumtemperaturregelung, mit Fenster-offen-Erkennung	[nein]
				mit Option Abstandsregelung	[nein]
				mit adaptiver Startsteuerung	[ja]
				mit Betriebszeitbegrenzung	[nein]
				mit Schwarzlichtsensor	[nein]
Kontaktinformationen:	ADRESSE DES IMPORTEURE: MH Handel GmbH Wendenstraße 309 D-20537 Hamburg Germany				

Hinweis:

Bei elektrischen Nahheizgeräten darf die gemessene saisonale Raumheizungs-Energieeffizienz η_s nicht schlechter sein als der deklarierte Wert bei der Nennwärmeleistung des Geräts.



Calentador de la chimenea



**IMPORTANTE, CONSERVAR PARA FUTURAS CONSULTAS: LEER
DETENIDAMENTE**

INSTRUCCIONES DE MONTAJE

Empezar

Retire el aparato de la caja.

Retire cualquier envase del producto.

Coloque el embalaje dentro de la caja y almacénelo o deséchelo con seguridad.

En el caja

Cuerpo de fuego.

Panel frontal.

Paquete de guijarros

Paquetes de fijación ocultos que contienen:

Tornillos y tapones de pared

Soporte de fijación

Control remoto

Manual de instrucciones

Características

Control remoto

Efecto de llama que baila

Parte delantera desmontable

Calentador con dos ajustes

Recorte térmico

Dos ajustes de calor

Montaje en pared

Instrucciones de seguridad

Cuando utilice aparatos eléctricos, siempre se deben seguir las precauciones básicas de seguridad.

- No utilice el aparato hasta que esté firmemente fijado como se describe en este manual.
- Compruebe que el voltaje indicado en la placa de datos coincide con el de la red local antes de conectar el aparato a la red eléctrica.
- De vez en cuando, compruebe que el cable no esté dañado. Nunca utilice el aparato si el cable o cualquier parte del aparato presenta signos de daños.
- Si el cable de alimentación está dañado, debe ser reemplazado por un ingeniero cualificado para evitar riesgos.
- Mantenga los muebles, cortinas y otros materiales inflamables a por lo menos 1 metro del aparato.
- No deje el aparato desatendido durante el uso.
- No deje el aparato sin vigilancia mientras esté conectado a la red eléctrica.
- Manténgase fuera del alcance de los niños y no permita que utilicen este aparato.
- Este aparato está diseñado para uso doméstico y no debe utilizarse para fines industriales.
- No opere este aparato después de un mal funcionamiento o después de haber caído o dañado de alguna manera.
- Las reparaciones a electrodomésticos sólo deben ser realizadas por un electricista calificado.
- Las reparaciones incorrectas pueden poner al usuario en grave riesgo.
- No coloque el cable de red debajo de alfombras, alfombras, etc.

- No permita que el cable de red cuelgue sobre bordes afilados o entre en contacto con superficies calientes.



- **ADVERTENCIA:** Para evitar el sobrecalentamiento, no cubra el calentador.
- Nunca sumerja el producto en agua o cualquier otro líquido por cualquier motivo.
- No utilice este calentador en el entorno inmediato de un baño, una ducha o una piscina.
- No utilice el aparato en exteriores.
- No lo use si tiene manos mojadas.
- Nunca use el aparato sobre o cerca de superficies calientes.
- No opere con un cable dañado.
- Antes de limpiar el aparato, asegúrese de que esté desconectado de la corriente y de que esté completamente refrigerado.
- No limpie el aparato con productos químicos abrasivos.
- Nunca utilice accesorios que no sean recomendados o suministrados por el fabricante. Puede causar peligro al usuario o dañar el aparato.
- Este aparato no está diseñado para ser utilizado por personas (incluyendo niños) con capacidades físicas, sensoriales o mentales reducidas o por falta de experiencia y conocimiento, a menos que hayan recibido supervisión o instrucciones sobre el uso del aparato por una persona responsable de su seguridad.
- Los niños deben ser supervisados para asegurarse de que no juegan con el aparato.
- No levante el aparato por el panel frontal.
- El calentador no debe colocarse inmediatamente debajo de una toma de corriente.
- Mantenga la parte superior del calentador a una distancia mínima de 1000mm del techo u otros objetos para una ventilación óptima del calor.
- **PRECAUCIÓN:** Para evitar un peligro debido a un restablecimiento inadvertido del corte térmico, este aparato no debe suministrarse a través de un dispositivo de conmutación externo, como un temporizador, o conectado a un circuito que está conectado o desconectado regularmente por la empresa de servicios públicos .
- **ADVERTENCIA:** Este calentador no está equipado con un dispositivo que puede controlar la temperatura ambiente. No utilice este calentador en cuartos pequeños cuando estén ocupados por personas que no puedan salir de la habitación por su cuenta, a menos que se brinde una supervisión constante.
- Los niños menores de 3 años deben mantenerse alejados a menos que estén supervisados continuamente.
- Los niños de edades comprendidas entre 3 años y menos de 8 años sólo deben encender / apagar el aparato siempre que haya sido colocado o instalado en su posición normal de funcionamiento y hayan recibido supervisión o instrucciones sobre el uso del aparato de forma segura y hayan entendido los peligros involucrados. Los niños de 3 años y menos de 8 años no deben enchufar, regular y limpiar el aparato ni realizar el mantenimiento del usuario.
- **PRECAUCIÓN:** Algunas partes de este producto pueden calentarse mucho y causar quemaduras. Se debe prestar especial atención a los niños y las personas vulnerables.

- Este aparato puede ser utilizado por niños mayores de 8 años y personas con capacidades físicas, sensoriales o mentales reducidas o por falta de experiencia y conocimiento si se les ha dado supervisión o instrucciones sobre el uso del aparato de manera segura y entienden el Peligros involucrados.
- La limpieza y el mantenimiento del usuario no deben ser realizados por niños sin supervisión.

Consejos útiles antes de instalar

Guarde todo el embalaje hasta que haya comprobado y contado todas las piezas y el contenido del paquete de fijación en la lista de piezas.

El paquete de fijación contiene artículos pequeños, que deben mantenerse alejados de los niños pequeños. Le sugerimos que abra el paquete de fijación y coloque todo el contenido en un recipiente, reduciendo así el riesgo de perder cualquier pieza pequeña.

Instalación

No conecte el calentador hasta que esté fijado a la pared de forma correcta y las instrucciones se lean todas las instrucciones.

Debe observar las distancias mínimas.

Para la instalación del calentador, debe tener cuidado en el motivo de no dañar los cables ocultos.

Tenga cuidado al perforar los agujeros.

Este electrodoméstico está diseñado para ser fijado permanentemente a una pared a una altura mínima de 300 mm. El soporte de pared debe ser instalado horizontalmente y el cable debe ser dirigido a la parte inferior derecha del calentador.

Recomendamos una altura de 600 mm desde la parte inferior del calentador hasta el piso para lograr una visualización óptima del lecho de combustible (Vea Fig.2 para saber las dimensiones de fijación recomendadas) .

Mantenga la parte superior del calentador al menos a 1000 mm del techo u otros objetos para obtener una ventilación mejor del calor.

Para lograr una visualización óptima, marque las cinco posiciones de fijación de los tornillos superiores en la pared de acuerdo con las dimensiones de fijación recomendadas; Vea la Fig.2. Taladre los agujeros con una broca de seis.

Fije el soporte de pared utilizando el tapón y los tornillos provistos.

Tenga cuidado cuando levante el calentador, asegurándose de que las dos ranuras traseras superiores del calentador encajen en el soporte de pared (Vea Fig. 3) y se asienten centralmente.

Lleve suavemente el calentador al nivel de la pared.

Marque la posición de los dos agujeros inferiores; Vea Fig.5, retire el calentador y asegúrese de que el soporte de fijación inferior esté girado hacia arriba.

Taladre y coloque el enchufe de pared.

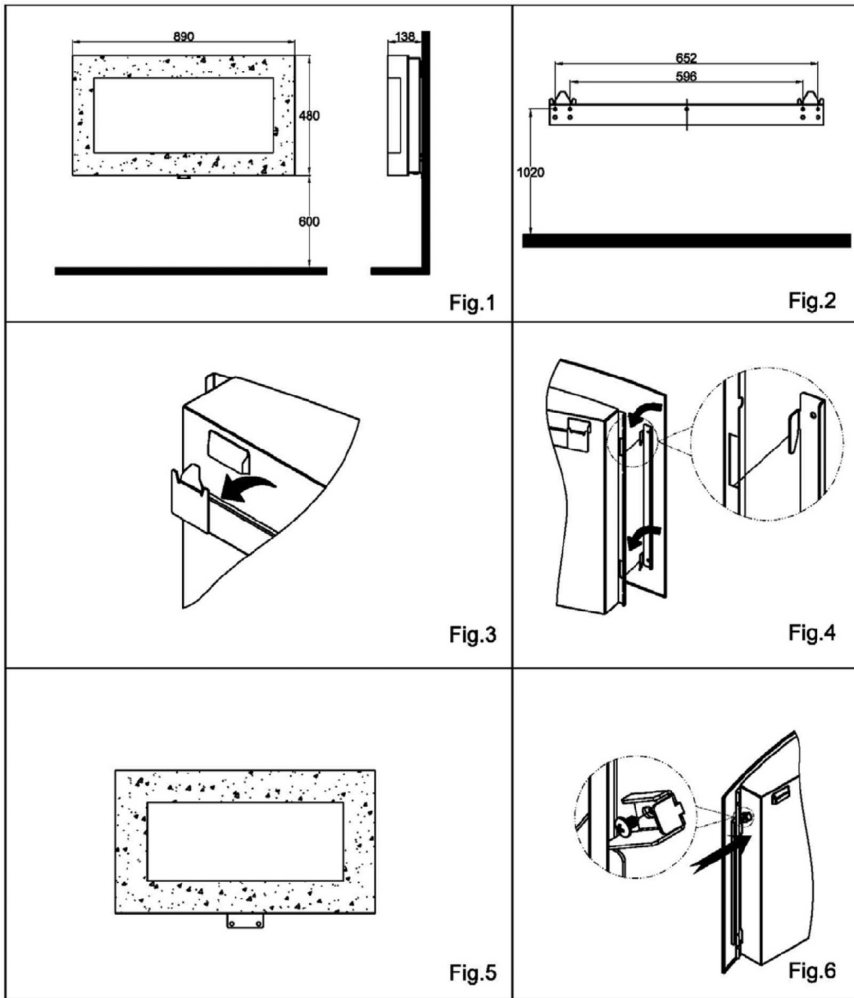
Vuelva a colocar el calentador en el soporte de fijación de la pared y gire el soporte de fijación inferior hacia abajo nuevamente y utilice el tornillo provisto para fijar el calentador en su lugar permanentemente.

Desembale los guijarros de la bolsa y colóquelos a lo largo de la unidad de luz en la posición deseada.

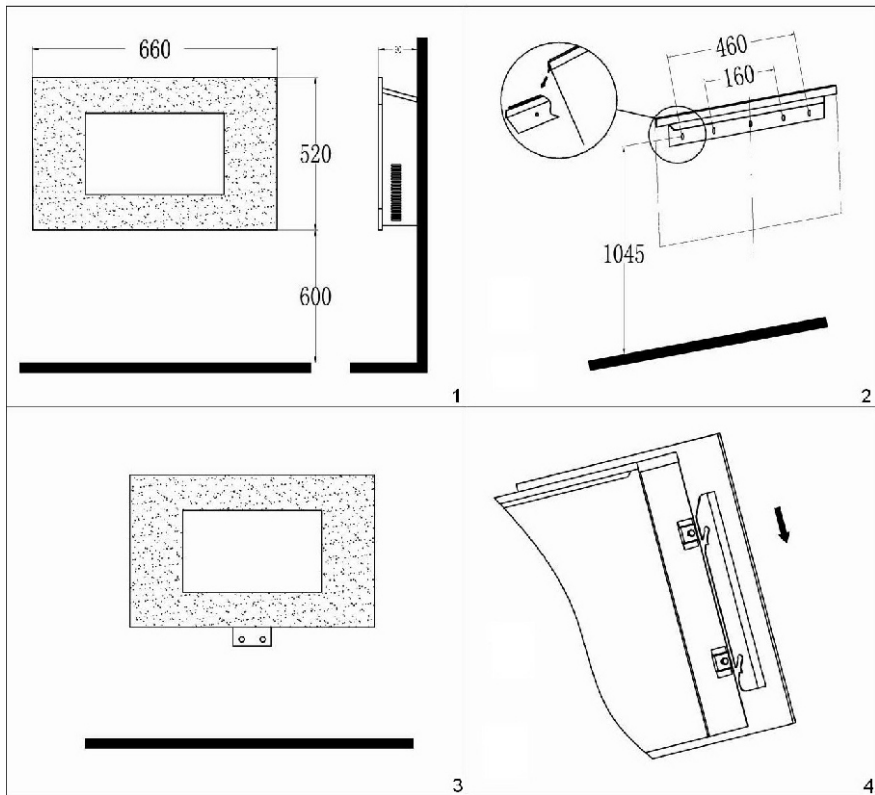
Coloque el panel de vidrio frontal sobre el frente del calentador alineando los ganchos a cada lado del panel de vidrio con las ranuras a cada lado del cuerpo del calentador. Vea Fig.4. Luego deslice hacia abajo el panel de vidrio en su lugar. Se requerirán dos personas para realizar esta operación.

Inserte y apriete el tornillo del panel de vidrio frontal. Vea Fig.6 para fijar el panel de vidrio frontal al calentador. (Solo para 820-052 y 820-0357)

820-052,820-0357:

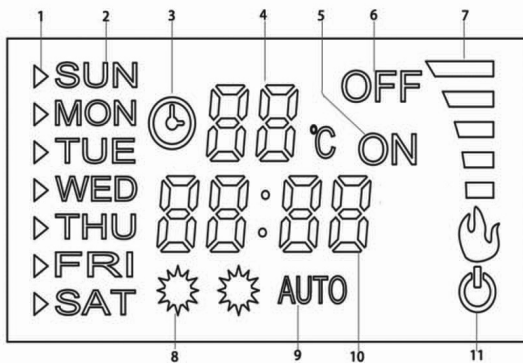


820-053,02-0358:



Instrucciones de uso

El aparato puede ser accionado por los interruptores situados en la parte superior derecha del fuego o por el mando a distancia suministrado.



1	Indicador	2	Día	3	Temporizador
4	Display de temperatura/número de serie	5	Tiempo ON	6	Tiempo OFF
7	Luminosidad de llama	8	Nivel de calefacción	9	Control automático de calefacción
10	Display de tiempo/temperatura	11	Standby		

Indicador de Temperatura y Número de Serie: Este normalmente indica la temperatura ambiente; Cuando se configura una temperatura, la temperatura establecida es mostrada; Cuando se configura el temporizador, el número de serie es mostrado.

Indicador de Tiempo / Temperatura: Normalmente este indicador muestra el tiempo actual; Cuando se configura el temporizador, el tiempo establecido es mostrado. Al configurar la temperatura del temporizador semanal, la temperatura establecida es mostrada.

Tiempo "encendido" y Tiempo "apagado": Se muestra cuando se configure el temporizador y es usado en combinación con la configuración de número de serie.

Brillo de llama: Muestra el brillo actual de la llama, que varía de una a cinco posiciones.

Operation Manual

Esto se realiza accionando los interruptores situados en la parte superior derecha de el fuego. El interruptor basculante debe encenderse primero, el fuego emitirá un pitido para indicar que está encendido. Pulse el botón O / I una vez para activar el aparato y el efecto de fuego. Una luz indicadora roja se mostrará para indicar que el fuego está encendido. Pulse el botón O / I durante 3 segundos para que funcione el modo dimmer, mantenga pulsado el botón hasta obtener el brillo deseado.

820-052,02-0357:

Presione el botón de ENCENDIDO una vez para ajustar el calor bajo 1000W;

Presione dos veces para ajustar el calor alto 2000W;

Presione tres veces para apagar el ajuste de calor.

820-053,02-0358:

Presione el botón de ENCENDIDO una vez para ajustar el calor bajo 900W;

Presione dos veces para ajustar el calor alto 1800W;

Presione tres veces para apagar el ajuste de calor.

Presione el botón de LUZ DE FONDO para ajustar los colores de la decoración LED que tiene 7 colores disponibles.

Operación Remota

El interruptor de reserve localizado en la parte superior derecha del fuego debe encenderse primero; el fuego emitirá un pitido para indicar que está encendido.

Toma un poco de tiempo para que el receptor responda al transmisor. No presione los botones más de una vez dentro de dos segundos para obtener una operación normal del fuego.

1. Pasos de Arranque

1) Conecte el suministro de energía.

2) Encienda el interruptor de energía.

3) Presione el botón "ENCENDIDO/APAGADO" en el control para iniciar.

4) **820-052,02-0357:** Presione el botón 1000W / 2000W una vez para ajustar el calor bajo 1000W; presione dos veces para ajustar el calor alto 2000W; presione tres veces para apagar el ajuste de calor.

820-052,02-0357: Presione el botón 900W / 1800W una vez para ajustar el calor bajo 900W; presione dos veces para ajustar el calor alto 1800W; presione tres veces para apagar el ajuste de calor.

- 5) Presione el botón REGULADOR de intensidad para operar el modo de regulación de intensidad. Al seguir presionando aumentará o disminuirá el brillo.
- 6) Presione el botón LUZ DE FONDO (BACK LIGHT) para ajustar los colores de la decoración LED, están 7 colores disponibles.

2. Calefacción Automática

Presione el botón "IC" en el control remoto para iniciar o desactivar la calefacción automática.

Cuando se ha encendido, la chimenea puede cambiar automáticamente el modo de calefacción dependiendo de la temperatura establecida y la temperatura ambiente.

Durante un proceso de inicio temporizado, es posible iniciar la calefacción antes de lo previsto.

Configuración de día y tiempo.

- 1) Esta configuración se realiza en el control remoto.
- 2) Presione el botón de "FECHA TIEMPO", luego presione los botones de "▲" o "▼" para seleccionar el día.
- 3) Presione el botón de "FECHA TIEMPO" otra vez, presione "+" o "-" para establecer la hora.
- 4) Presione el botón de "FECHA TIEMPO" otra vez, luego presione "+" o "-" para establecer los minutos.
- 5) Presione el botón "OK" para completar la configuración.

3. Configuración de Temperatura

La temperatura preestablecida es de 20 °C, presione "+" o "-" en el control remoto para establecer la temperatura, la cual varía desde 15 a 30 °C. Y esta configuración solo es para la temperatura en el modo normal, no para la temperatura en el modo de temporizador.

NOTA: La temperatura establecida debe ser más alta que la temperatura ambiente para la temperatura en uso.

4. Configuración del Temporizador

1) Descripción de la configuración del temporizador

Hay hasta un máximo de 10 opciones de configuración del temporizador.

Cada opción de configuración tiene su fecha, tiempo de inicio y tiempo de apagado. La duración máxima de cada opción de configuración es 23 horas 50 minutos.

La fecha de configuración de cada opción puede ser cualquier día o días de la semana. La fecha en cada opción de configuración representa la fecha de tiempo de inicio.

Si el tiempo de apagado de la configuración falla el segundo día, no es necesario configurar la fecha – solo el tiempo de apagado.

2) Pasos para ver la configuración del temporizador

Presione el botón "CONFIGURAR TEMPORIZADOR".

Presione "+" o "-" para revisar el tiempo de inicio del temporizador uno por uno.

Para revisar el tiempo de apagado, presione el botón "▲".

Presione "+" o "-" para continuar viendo la configuración.

Para borrar la opción actual de configuración, presione "C" para borrar.

3) Pasos para la configuración del temporizador

(I) Seleccione la configuración del número de serie.

Presione el botón "CONFIGURAR TEMPORIZADOR", y el número de serie empieza a parpadear. Presione "+" o "-" para cambiar el número de serie hasta que aparezca el número de serie que se desea configurar o modificar.

(II) Selección de Fecha

Presione el botón de " CONFIGURAR TEMPORIZADOR" una vez más, y el cursor en el lado izquierdo de Día empieza a parpadear.

Presione los botones "▲" o "▼" para mover el cursor hacia el día correspondiente, presione "+" para agregar el día correspondiente, o presione "-" para borrar el día hasta que la selección de todas las fechas se ha completado.

(III) Configure el tiempo de inicio

Continúe presionando el botón "CONFIGURAR TEMPORIZADOR", la hora empieza a parpadear.

Presione "+" o "-" para ajustar la hora.

Continúe presionando el botón "CONFIGURAR TEMPORIZADOR", el minute empieza a parpadear.

Presione "+" o "-" para ajustar el minuto.

(IV) Configure el tiempo de apagado

Presione el botón "CONFIGURAR TEMPORIZADOR", la pantalla se apaga y la hora empieza a parpadear.

Presione "+" o "-" para ajustar la hora.

Continúe presionando el botón de "CONFIGURAR TEMPORIZADOR", el minuto empieza a parpadear.

Presione "+" o "-" para ajustar el minuto.

(V) Configure la temperatura

Presione el botón "CONFIGURAR TEMPORIZADOR", y la opción de temperatura empieza a parpadear.

En este momento, la temperatura mostrada es la temperatura normal configurada, la cual puede ser ajustada presionando "+" o "-".

(VI) Presione el botón "CONFIGURAR TEMPORIZADOR" para continuar con la configuración, luego presione "OK" para completar la configuración.

Interruptor de Temporizador

"TEMPORIZADOR ENCENDIDO / APAGADO" es para controlar el tiempo de apertura y cierre.

Reinicie la máquina luego de cortar el suministro de energía, la configuración original se mantiene pero la fecha y tiempo actual se deben establecer de nuevo.

NOTA 1: Cuando el temporizador de semana se enciende, debería encender la función de calefacción, si no cuando la máquina esté de nuevo en funcionamiento, solo el efecto de llama funcionará.

NOTA 2: Repita los mismos procedimientos para establecer más ciclos de tiempo si es necesario después de que termine el ciclo de tiempo 01.

NOTA 3: Cuando termina el ajuste del temporizador semanal, la función "TEMPORIZADOR ENCENDIDO / APAGADO" puede ser efectiva.

Desconexión de Seguridad

Este aparato viene equipado con un sistema de desconexión de seguridad el cual operará si el fuego sobrecalienta (por ejemplo, debido a orificios de ventilación bloqueados).

Por razones de seguridad, el fuego no se reiniciará automáticamente.

Para reiniciar el equipo, desconecte el aparato del suministro de energía principal por lo menos 15 minutos.

Reconecte el suministro de energía y encienda nuevamente el aparato.

Solución de Problemas

Síntoma	Solución
No funciona/ no ventilador.	Revise si el conector de energía ha sido conectado en el tomacorriente. Revise la operación de corte de seguridad.
No hay luz de efecto de fuego.	Revise el sistema de LEDs por un electricista calificado.

Limpieza y Mantenimiento

Advertencia: Desconecte siempre de la red eléctrica antes de limpiar el calentador. Para su limpieza general, use un plumero de limpieza suave, nunca use abrasivos o limpiadores fuertes.

La pantalla de visualización de vidrio debe limpiarse cuidadosamente con un paño suave. NO use limpiadores de vidrio patentados.

Este aparato no usa una bombilla estándar para su efecto de llama. El dispositivo utiliza un sistema LED controlado electrónicamente para crear el efecto, por lo que no es necesario reemplazar las piezas. No hay piezas reparables por el usuario en este dispositivo. Bajo ninguna circunstancia se debe reparar el aparato por nadie más que un electricista calificado.

Eliminación de Desechos

Al final de la vida útil del producto, debe desecharse de forma cuidadosa y segura de acuerdo con las reglamentaciones emitidas por las autoridades locales. El enchufe debe ser retirado del cable de suministro de energía y el cable de alimentación separado del producto.

Especificación Técnica

820-052,02-0357:

Voltaje / Frecuencia: 220 – 240 V ~ 50 Hz

Potencia Nominal: 2000 W

Tipo de Iluminación: Bombillas LED (componentes no reemplazables)

820-052,02-0357:

Voltaje / Frecuencia: 220 – 240 V ~ 50 Hz

Potencia Nominal: 1800 W

Tipo de Iluminación: Bombillas LED (componentes no reemplazables)



El significado del cubo de basura con ruedas tachadas:

No deseche electrodomésticos como basura municipal sin clasificar, use instalaciones de recolección separadas.

Póngase en contacto con su gobierno local para obtener información sobre los sistemas de recolección disponibles.

Si los electrodomésticos se desechan en vertederos o basureros, las sustancias peligrosas pueden filtrarse a las aguas subterráneas y entrar en la cadena alimenticia, lo que causaría daños de salud y bienestar.

Si tiene alguna pregunta, comuníquese con nuestro Centro de Atención al Cliente.

Nuestros datos de contacto son los siguientes:



0034-931294512



atencioncliente@aosom.es

IMPORTADOR:

SPANISH AOSOM, S.L.

C/ ROC GROS, N° 15. 08550, ELS HOSTALETS DE BALENYÀ, SPAIN.

B66295775

WWW.AOSOM.ES

ATENCIONCLIENTE@AOSOM.ES

TEL: 931294512

HECHO EN CHINA

Tabla de requisitos de información para aparatos de calefacción local eléctricos

Identificador(es) del modelo: 820-052_02-0357					
Artículo	Símbolo	Valor	Unidad	Artículo	Unidad
Salida de calor				Tipo de entrada de calor, solo para calentadores de espacio locales de almacenamiento eléctrico (seleccione uno)	
Potencia calorífica nominal	P_{nom}	2,0	kW	Control de carga de calor manual, con termostato integrado	[No aplica]
Potencia calorífica mínima (indicativa)	P_{min}	1,0	kW	Control manual de carga de calor con retroalimentación de temperatura ambiente y/o exterior	[No aplica]
Máxima salida de calor continuo	$P_{máx.c}$	2,0	kW	Control electrónico de carga de calor con retroalimentación de temperatura ambiente y/o exterior	[No aplica]
Consumo de electricidad auxiliar				Salida de calor asistida por ventilador	[No aplica]
A potencia calorífica nominal	eI_{max}	0,014 (motor de ventilador)	kW	Tipo de salida de calor/control de temperatura ambiente (seleccione uno)	
A la salida de calor mínima	eI_{min}	0,014 (motor de ventilador)	kW	Salida de calor de una sola etapa y sin control de temperatura ambiente	[no]
En modo de espera	eI_{SB}	0.48	W	Dos o más etapas manuales, sin control de temperatura ambiente	[no]
				Con termostato mecánico control temperatura ambiente	[no]
				Con control electrónico de la temperatura ambiente	[no]
				Control electrónico de temperatura ambiente más temporizador de día	[no]
				Control electrónico de temperatura ambiente más temporizador semanal	[sí]
				Otras opciones de control (múltiples selecciones posibles)	
				Control de temperatura ambiente, con detección de presencia	[no]
				Control de temperatura ambiente, con detección de ventana abierta	[no]
				Con opción de control a distancia	[no]
				Con control de arranque adaptativo	[sí]
				Con limitación de tiempo de trabajo	[no]
				Con sensor de bombilla negra	[no]
Datos de contacto	SPANISH AOSOM, S.L. C/ Roc Gros, nº15. 08550 Els Hostalets de Balenyà (Barcelona), España 0034-931294512 (L-V de 8:30 a 17:30 h) atencioncliente@aosom.es Aosom.es				
Observación: En el caso de los calentadores locales eléctricos, la eficiencia energética estacional medida de la calefacción de espacios no puede ser diferente que el valor declarado a la potencia calorífica nominada la unidad.					

Tabla de requisitos de información para aparatos de calefacción local eléctricos

Identificador(es) del modelo: 820-053_02-0358					
Artículo	Símbolo	Valor	Unidad	Artículo	Unidad
Salida de calor				Tipo de entrada de calor, solo para calentadores de espacio locales de almacenamiento eléctrico (seleccione uno)	
Potencia calorífica nominal	P_{nom}	1,8	kW	Control de carga de calor manual, con termostato integrado	[No aplica]
Potencia calorífica mínima (indicativa)	P_{min}	0,9	kW	Control manual de carga de calor con retroalimentación de temperatura ambiente y/o exterior	[No aplica]
Máxima salida de calor continuo	$P_{máx.c}$	1,8	kW	Control electrónico de carga de calor con retroalimentación de temperatura ambiente y/o exterior	[No aplica]
Consumo de electricidad auxiliar				Salida de calor asistida por ventilador	[No aplica]
A potencia calorífica nominal	eI_{max}	0,014 (motor de ventilador)	kW	Tipo de salida de calor/control de temperatura ambiente (seleccione uno)	
A la salida de calor mínima	eI_{min}	0,014 (motor de ventilador)	kW	Salida de calor de una sola etapa y sin control de temperatura ambiente	[no]
En modo de espera	eI_{SB}	0.48	W	Dos o más etapas manuales, sin control de temperatura ambiente	[no]
				Con termostato mecánico control temperatura ambiente	[no]
				Con control electrónico de la temperatura ambiente	[no]
				Control electrónico de temperatura ambiente más temporizador de día	[no]
				Control electrónico de temperatura ambiente más temporizador semanal	[sí]
				Otras opciones de control (múltiples selecciones posibles)	
				Control de temperatura ambiente, con detección de presencia	[no]
				Control de temperatura ambiente, con detección de ventana abierta	[no]
				Con opción de control a distancia	[no]
				Con control de arranque adaptativo	[sí]
				Con limitación de tiempo de trabajo	[no]
				Con sensor de bombilla negra	[no]
Datos de contacto	SPANISH AOSOM, S.L. C/ Roc Gros, nº15. 08550 Els Hostalets de Balenyà (Barcelona), España 0034-931294512 (L-V de 8:30 a 17:30 h) atencioncliente@aosom.es Aosom.es				

Observación:

En el caso de los calentadores locales eléctricos, la eficiencia energética estacional medida de la calefacción de espacios no puede ser diferente que el valor declarado a la potencia calorífica nominada la unidad.



Lareira elétrica Com controle remoto



IMPORTANTE, RETER PARA REFERÊNCIA FUTURA: LEIA ATENTAMENTE

MANUAL DE INSTRUÇÕES

Começar

Retire o aparelho da caixa.

Retire qualquer embalagem do produto.

Coloque a embalagem dentro da caixa e armazene-a ou elimine-a em segurança.

Na caixa

Corpo de fogo.

Painel frontal.

Pacote de pedra

Pacotes de fixação ocultos contendo:

Parafusos e tampões de parede Suporte de fixação.

Controlo remoto

Manual de instruções

Características

Controlo remoto

Efeito de chama dançante

Aquecedor destacável na parte frontal com dois ajustes de calor

Corte de calor

Dois ajustes de aquecimento

Montagem na parede

Instruções de segurança

- Ao utilizar aparelhos elétricos, devem ser sempre seguidas as precauções básicas de segurança.
- Não utilize o aparelho até que esteja firmemente fixado, tal como descrito neste manual.
- Verifique se a tensão indicada na placa de características corresponde à tensão da rede local antes de ligar o aparelho à rede.
- De vez em quando, verificar se o cabo não está danificado. Nunca utilizar o aparelho se o cabo ou qualquer parte do aparelho apresentar sinais de danos.
- Se o cabo de alimentação for danificado, deve ser substituído por um engenheiro qualificado para evitar riscos.
- Manter móveis, cortinas e outros materiais inflamáveis a pelo menos 1 metro de distância do aparelho.
- Não deixar o aparelho sem vigilância durante a sua utilização.
- Não deixar o aparelho desacompanhado enquanto estiver ligado à rede elétrica.
- Manter fora do alcance das crianças e não lhes permitir a utilização deste aparelho.
- Este aparelho é concebido para uso doméstico e não deve ser utilizado para fins industriais.
- Não utilizar este aparelho depois de este ter funcionado mal ou depois de ter caído ou sido danificado de qualquer forma.
- As reparações dos aparelhos só devem ser efetuadas por um eletricista qualificado.
- Reparações incorretas podem colocar o utilizador em sério risco.
- Não colocar o cabo de rede debaixo de tapetes, tapetes, etc.
- Não permitir que o cabo de rede pendure sobre arestas vivas ou entre em contacto com superfícies quentes.



AVISO: Para evitar o sobreaquecimento, não cobrir o aquecedor.

- Nunca mergulhar o produto em água ou qualquer outro líquido, por qualquer razão.
- Não utilizar este aquecedor nas proximidades imediatas de um banho, duche ou piscina.
- Não utilizar o aparelho ao ar livre.
- Não utilizar com as mãos molhadas.
- Nunca utilizar o aparelho em ou perto de superfícies quentes.
- Não operar com um cordão danificado.
- Antes de limpar o aparelho, certifique-se de que está desligado da alimentação elétrica e de que está completamente arrefecido.
- Não limpar o aparelho com produtos químicos abrasivos.
- Nunca utilizar acessórios que não sejam recomendados ou fornecidos pelo fabricante. Pode causar perigo para o utilizador ou danos no aparelho.
- Este aparelho não se destina a ser utilizado por pessoas (incluindo crianças) com capacidades físicas, sensoriais ou mentais reduzidas ou com falta de experiência e conhecimentos, a menos que tenham recebido supervisão ou instruções relativas à utilização do aparelho por uma pessoa responsável pela sua segurança.
- As crianças devem ser supervisionadas para garantir que não brincam com o aparelho.
- Não levantar o aparelho junto ao painel frontal.
- O aquecedor não deve ser colocado imediatamente debaixo de uma tomada elétrica.
- Manter o topo do aquecedor a pelo menos 1000mm de distância do teto ou de outros objetos para uma ventilação térmica ótima.
- CUIDADO: Para evitar um perigo devido a uma reinicialização inadvertida do corte térmico, este aparelho não deve ser fornecido através de um dispositivo de comutação externo, tal como um temporizador, ou ligado a um circuito que é regularmente ligado ou desligado pela empresa de serviços públicos.
- AVISO: Este aquecedor não está equipado com um dispositivo que possa controlar a temperatura ambiente. Não utilizar este aquecedor em salas pequenas quando ocupadas por pessoas que não podem sair da sala sozinhas, a menos que seja fornecida supervisão constante.
- As crianças com menos de 3 anos de idade devem ser mantidas afastadas, a menos que sejam continuamente supervisionadas.
- As crianças com 3 e menos de 8 anos de idade só devem ligar/desligar o aparelho quando este tiver sido colocado ou instalado na sua posição normal de funcionamento e tiverem recebido supervisão ou instruções relativas à utilização do aparelho de uma forma segura e compreenderem os perigos envolvidos. As crianças com 3 e menos de 8 anos de idade não devem ligar, ajustar e limpar o aparelho e não devem efetuar manutenção do utilizador.
- CUIDADO: Algumas partes deste produto podem tornar-se muito quentes e causar queimaduras. Deve ser dada especial atenção às crianças e às pessoas vulneráveis.
- Este aparelho pode ser utilizado por crianças a partir dos 8 anos de idade e por pessoas com capacidades físicas, sensoriais ou mentais reduzidas ou com falta de experiência e conhecimentos, se lhes tiver sido dada supervisão ou instruções relativas à utilização do aparelho de uma forma segura e compreenderem os perigos envolvidos.
- A limpeza e a manutenção do utilizador não devem ser feitas por crianças sem supervisão.

Dicas úteis antes da instalação

Guarde todas as embalagens até ter verificado e contado todas as peças e o conteúdo da embalagem de fixação na lista de peças.

O pacote de fixação contém pequenos artigos, que devem ser mantidos afastados das crianças pequenas. Sugerimos que abra o pacote de fixação e coloque todo o conteúdo num recipiente, reduzindo assim o risco de perder quaisquer peças pequenas.

Instalação

O fogo não deve ser utilizado enquanto não estiver firmemente preso à parede. Não ligar o aparelho à rede elétrica até que esteja firmemente fixado à parede e as instruções estejam totalmente lidas.

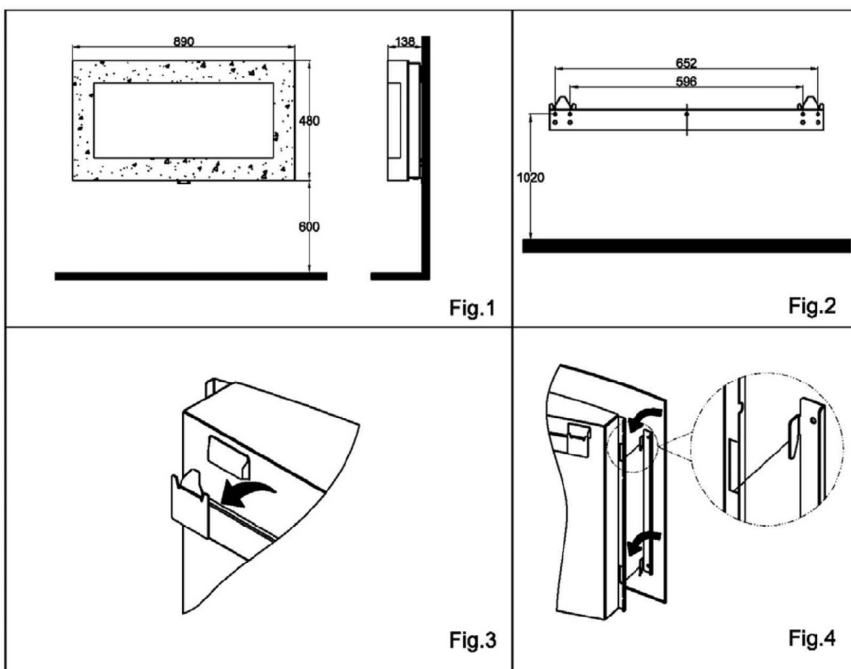
As distâncias mínimas devem ser observadas nos diagramas que se seguem. Ao instalar o aparelho, deve ter-se o cuidado de não danificar os cabos escondidos. Ter cuidado ao fazer furos.

Este aparelho foi concebido para ser fixado permanentemente a uma parede a uma altura mínima de 300 mm. O suporte de parede deve ser posicionado horizontalmente e o cabo deve ser encaminhado para o lado inferior direito do aquecedor.

Recomenda-se uma distância de 600 mm desde o fundo do aquecedor até ao chão para uma melhor visualização do leito de combustível; ver fig. 1 para as dimensões de fixação recomendadas.

Para uma melhor visualização, marcar as posições de fixação dos quatro parafusos superiores na parede de acordo com as dimensões de fixação recomendadas (ver fig. 6). (Somente para 820-052 e 820-0357)

820-052,820-0357:



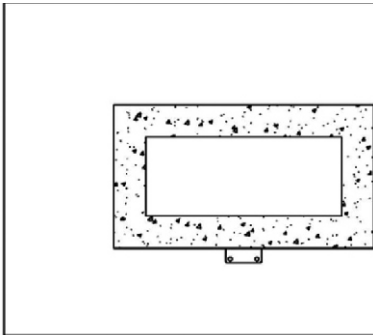


Fig.5

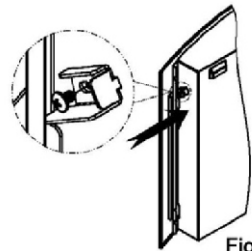
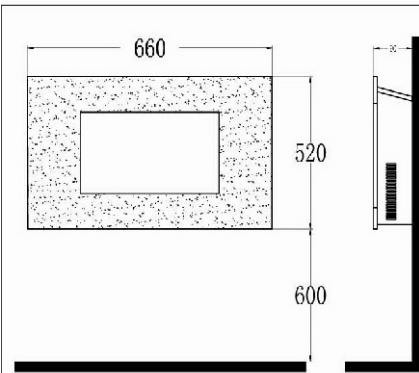
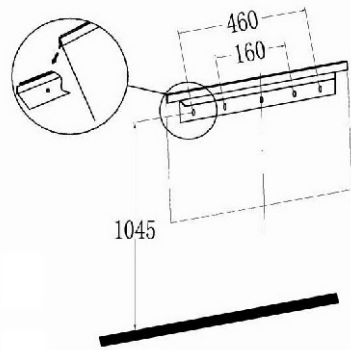


Fig.6

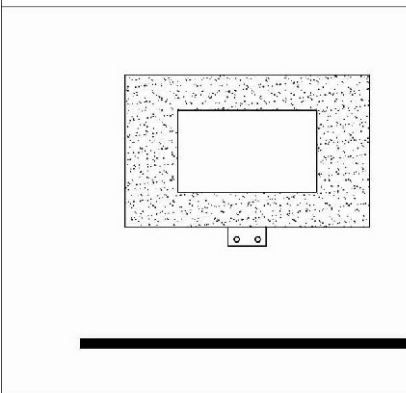
820-053,02-0358:



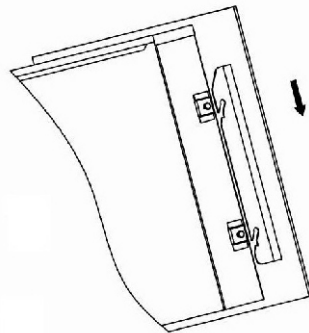
1



2



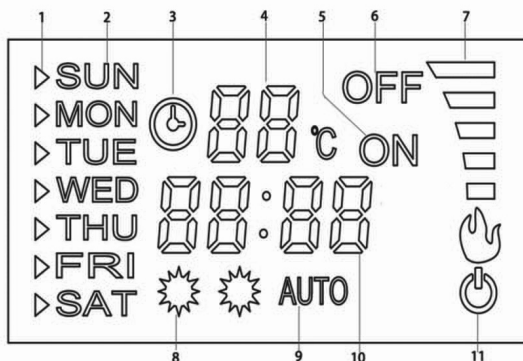
3



4

Instruções de funcionamento

O aparelho pode ser operado pelos interruptores do lado superior direito do incêndio ou pelo comando à distância fornecido.



1	Indicador	2	Indicador de dia	3	Temporizador em espera
4	Temperatura/indicador de número de série	5	Temporizador em	6	Temporizador desligado
7	Brilho da chama	8	Posição do aquecimento	9	Controlo automático do aquecimento
10	Indicador de tempo e temperatura	11	Espera		

Indicador de Temperatura e Número de Série: Normalmente indica a temperatura ambiente; Quando uma temperatura é definida, a temperatura definida é exibida; Quando o temporizador é definido, o número de série é exibido.

Indicador de Tempo / Temperatura: Normalmente este indicador mostra a hora atual; Ao definir o temporizador, a hora definida é exibida. Ao definir a temperatura semanal do temporizador, a temperatura definida é exibida.

Hora "Ligar" e "Desligar": Exibida ao definir o temporizador e é utilizada em combinação com a definição do número de série.

Cor da chama: mostra a cor da chama, que está disponível em 7 cores diferentes.

Manual de operação

A operação manual é feita quando se opera por meio de interruptores localizados no lado superior direito do incêndio. O interruptor de standby deve ser ligado primeiro, o fogo irá emitir um sinal sonoro indicando que está ligado.

Premir uma vez o botão O/I para ligar o aparelho e o efeito de incêndio. Uma luz indicadora vermelha será exibida para indicar que o fogo está ligado. Premir o botão O/I durante 3 segundos para acionar o modo de cor da chama, manter o botão premido até se obter o brilho desejado.

820-052,02-0357:

Premir uma vez o botão POWER para o ajuste de temperatura baixa de 1000W;

Premir duas vezes para a regulação a altas temperaturas 2000W;

Prima três para desligar a regulação de calor.

820-053,02-0358:

Premir o botão POWER uma vez para a definição de temperatura baixa de 900W;

Premir duas vezes para o ajuste de temperatura alta 1800W;

Premir três para desligar a regulação de calor.

Premir o botão BACK LIGHT para ajustar as cores da decoração LED, 7 cores disponíveis.

Operação remota

O interruptor de reserva localizado na parte superior direita do incêndio deve ser ligado primeiro; o incêndio emitirá um sinal sonoro para indicar que está ligado.

Demora um pouco de tempo para o recetor responder ao transmissor. Não premir os botões mais de uma vez no espaço de dois segundos para obter o funcionamento normal do incêndio.

1. Etapas de arranque

- 1) Ligue a fonte de alimentação.
- 2) Ligue o interruptor de alimentação.
- 3) Prima o botão "ON/OFF" no comando para iniciar.
- 4) **820-052,02-0357:** Pressionar uma vez o botão 1000W/2000W para o ajuste de calor baixo 1000W; pressionar duas vezes para o ajuste de calor alto 2000W; pressionar três para desligar o ajuste de calor.
820-053,02-0358: Premir o botão 900W/1800W uma vez para a definição de calor baixo 900W; premir duas vezes para a definição de calor alto 1800W; premir três para desligar a definição de calor.
- 5) Prima o botão DIMMER para operar o modo de regulação da intensidade luminosa, a repetição da pressão aumentará e diminuirá o brilho.
- 6) Pressione o botão COLOUR para operar o modo de cor, que fornece 7 cores diferentes.

2. Aquecimento automático

Prima o botão "IC" no comando à distância para iniciar ou desativar o aquecimento automático.

Depois de ligada, a lareira pode mudar automaticamente o modo de aquecimento em função da temperatura definida e da temperatura ambiente.

Durante um processo de arranque calendarizado, é possível iniciar o aquecimento mais cedo do que o planeado.

3. Definições de dia e hora.

- 1) Esta configuração é feita no controlo remoto.
- 2) Prima o botão "DATA TEMPO", depois prima os botões "▲" ou "▼" para selecionar o dia.
- 3) Pressionar novamente o botão " DATA TEMPO", pressionar "+" ou "-" para acertar a hora.
- 4) Prima novamente o botão " DATA TEMPO", depois prima "+" ou "-" para definir os minutos.
- 5) Pressione o botão "OK" para completar a configuração.

4. Ajuste de temperatura

A temperatura predefinida é 22 °C, prima "+" ou "-" no comando à distância para definir a temperatura, que varia de 15 a 30 °C. E esta configuração é apenas para a temperatura no modo normal, não para a temperatura no modo temporizador.

NOTA: A temperatura definida deve ser mais elevada do que a temperatura ambiente para a temperatura em uso.

5. Definição do temporizador

1) Descrição das definições do temporizador

Há até um máximo de 10 opções de configuração de temporizador.

Cada opção de configuração tem a sua data, hora de início e hora de paragem. A duração máxima de cada opção de configuração é de 23 horas e 50 minutos.

A data de configuração de cada opção pode ser qualquer dia ou dias da semana. A data em cada opção de configuração representa a data da hora de início.

Se o tempo de paragem da configuração falhar no segundo dia, não é necessário definir a data - apenas o tempo de paragem.

2) Passos para ver as definições do temporizador

Prima o botão "DEFINIR TEMPO".

Prima "+" ou "-" para verificar a hora de início do temporizador um a um. Para verificar o tempo de descanso, pressionar o botão "▲".

Prima "+" ou "-" para continuar a ver o cenário.

Para limpar a opção de configuração atual, prima "C" para limpar..

3) Passos de definição do temporizador

(I) Selecionar a definição do número de série.

Premir o botão "TIMER SET", e o número de série começa a piscar.

Prima "+" ou "-" para alterar o número de série até o número de série a ser definido ou alterado ser exibido.

(II) Seleção da data

Pressionar uma vez mais o botão "DEFINIR TEMPO", e o cursor do lado esquerdo do dia começa a piscar.

Prima os botões "▲" ou "▼" para mover o cursor para o dia correspondente, prima "+" para adicionar o dia correspondente, ou prima "-" para apagar o dia até que a seleção de todas as datas esteja concluída.

(III) Definir a hora de início

Continue a pressionar o botão "DEFINIR TEMPO", o tempo começa a piscar. Prima "+" ou "-" para ajustar o tempo.

Continue a carregar no botão "DEFINIR TEMPO", o minuto começa a piscar. Prima "+" ou "-" para ajustar o minuto.

(IV) Definir o tempo de desligar

Premir o botão "DEFINIR TEMPO", o visor desliga-se e a hora começa a piscar. Prima "+" ou "-" para ajustar o tempo.

Continue a carregar no botão "DEFINIR TEMPO", o minuto começa a piscar. Prima "+" ou "-" para ajustar o minuto.

(V) Definir a temperatura

Prima o botão "DEFINIR TEMPO" e o ajuste da temperatura começa a piscar. Neste momento, a temperatura indicada é a temperatura normal definida, que pode ser ajustada premindo "+" ou "-".

(VI) Pressione o botão "TIMER SET" para continuar com a configuração, depois pressione "OK" para completar a configuração.

6. Interruptor temporizador

"TEMPORIZADOR ON/OFF" é controlar a hora de abertura e fecho.

Reiniciar a máquina depois de cortar a alimentação, a definição original é mantida, mas a data e hora atuais devem ser novamente definidas.

Nota 1: Quando o temporizador da semana é ligado, deve ligar a função de aquecimento, caso contrário, quando a máquina estiver a funcionar novamente, apenas o efeito de chama funcionará.

NOTA 2: Repita os mesmos procedimentos para definir mais ciclos de temporização, se necessário, após o ciclo de temporização 01 estar terminado.

NOTA 3: Quando a definição do temporizador da semana estiver terminada, a função "TEMPORIZADOR ON/OFF" pode ser eficaz.

Corte de segurança

Este aparelho está equipado com um sistema de corte de segurança que funcionará se o incêndio sobreaquecer (por exemplo, devido a aberturas de ventilação bloqueadas).

Por razões de segurança, o incêndio não será reiniciado automaticamente.

Para reiniciar o equipamento, desligar o aparelho da fonte de alimentação principal durante pelo menos 15 minutos.

Voltar a ligar a fonte de alimentação e voltar a ligar o aparelho.

Resolução de problemas

Problema	Solução
Não funciona/sem ventilador.	Verifique se a ficha de alimentação foi ligada à tomada elétrica. Verifique a ligação de segurança.
Nenhuma luz de efeito de fogo.	Verifique o sistema LED por um electricista qualificado.

Limpeza e Manutenção

Aviso: Desligar sempre da rede antes de limpar o aquecedor. Para limpeza geral, utilizar um espanador macio, nunca utilizar abrasivos ou produtos de limpeza fortes.

O ecrã de exibição de vidro deve ser cuidadosamente limpo com um pano macio. NÃO utilizar produtos de limpeza de vidro proprietários.

Este aparelho não utiliza uma lâmpada padrão pelo seu efeito de chama. O dispositivo utiliza um sistema LED controlado eletronicamente para criar o efeito, pelo que não há necessidade de substituir peças. Não existem peças reparáveis pelo utilizador neste dispositivo. Em nenhuma circunstância o aparelho deve ser reparado por outra pessoa que não seja um electricista qualificado.

Eliminação de resíduos

No fim da vida útil do produto, este deve ser eliminado com cuidado e em segurança, de acordo com os regulamentos emitidos pelas autoridades locais. A ficha deve ser retirada do cabo de alimentação e o cabo de alimentação deve ser separado do produto.

Especificação Técnica

820-052,02-0357

Tensão / Frequência: 220 - 240 V ~ 50 Hz

Potência Nominal: 2000 W

Tipo de iluminação: Lâmpadas LED (componentes não substituíveis)

820-053,02-0358:

Tensão / Frequência: 220 - 240 V ~ 50 Hz

Potência Nominal: 1800 W

Tipo de iluminação: Lâmpadas LED (componentes não substituíveis)



Eliminação do produto

Este aparelho está em conformidade com a Diretiva Europeia 2012/19/UE relativa aos resíduos de equipamentos elétricos e eletrônicos (REEE). Esta directiva fornece o quadro jurídico a nível da UE para a retirada e reutilização de resíduos desta tipologia.

Este símbolo indica que este produto não deve ser eliminado com outros resíduos domésticos em toda a UE. Para evitar possíveis danos ao ambiente ou à saúde humana devido à eliminação descontrolada de resíduos, recicle-os de forma responsável para promover a reutilização sustentável dos recursos materiais. Pode levá-lo para um ponto de reciclagem seguro e assim proteger o meio ambiente.

Requisitos de informação para aquecedores eléctricos de ambiente locais

Identificador(es) do(s) modelo(s): 820-052_02-0357					
Item	Símbolo	Valor	Unit	Item	Unit
Produção de calor			Tipo de entrada de calor, apenas para aquecedores de espaço locais de armazenamento eléctrico (seleccionar um)		
Produção mínima de calor (indicativo)	P_{nom}	2,0	kW	Controlo manual da carga de calor, com termostato integrado	[Não]
Máximo contínuo saída de calor	P_{min}	1,0	kW	Controlo manual da carga de calor com temperatura ambiente e/ou exterior feedback	[Não]
Potencia calorífica Máxima continua	P_{max}	2,0	kW	Controlo electrónico da carga térmica com espaço e/ou temperatura exterior feedback espontâneo	[Não]
Electricidade auxiliar consumo			Produção de calor assistida por ventilador		[Não]
Na saída nominal de calor	eI_{max}	0.014 (motor de ventilador)	kW	Tipo de saída de calor/ temperatura ambiente controlo (seleccionar um)	
Na saída mínima de calor	eI_{min}	0.014 (motor de ventilador)	kW	saída de calor de estágio único e não controle de temperatura ambiente	[Não]
Modo de espera	eI_{SB}	0.48	W	Dois ou mais estágios manuais, não controle de temperatura ambiente	[Não]
				com sala de termostato mecânico controle de temperatura	[Não]
				com temperatura ambiente eletrônica ao controle	[Não]
				controle eletrônico de temperatura ambiente mais timer diurno	[Não]
				controle eletrônico de temperatura ambiente mais temporizador de semana	[Sim]
				Outras opções de controle (múltiplas seleções possíveis)	
				controle de temperatura ambiente, com detecção de presença	[Não]
				controle de temperatura ambiente, com detecção de janela aberta	[Não]
				com opção de controle de distância	[Não]
				Con control de arranque adaptativo	[Sim]
				com limitação de tempo de trabalho	[Não]
				com sensor de lâmpada preta	[Não]
Detalhes do contato:	SPANISHAOSOM, S.L C. Roc Gros n.15, 08550. Els Hostalets de Balenyà Tel: 931294512 (Seg-Sex das 7:30h às 16:30h) info@aosom.pt www.aosom.pt				

Observação:

Para os aquecedores eléctricos locais, a eficiência energética medida do aquecimento sazonal η_s não pode ser pior do que o valor declarado na saída nominal de calor da unidade.

Requisitos de informação para aquecedores eléctricos de ambiente locais

Identificador(es) do(s) modelo(s): 820-053_02-0358					
Item	Símbolo	Valor	Unit	Item	Unit
Produção de calor				Tipo de entrada de calor, apenas para aquecedores de espaço locais de armazenamento eléctrico (seleccionar um)	
Produção mínima de calor (indicativo)	P_{nom}	1,8	kW	Controlo manual da carga de calor, com termostato integrado	[Não]
Máximo contínuo saída de calor	P_{min}	0,9	kW	Controlo manual da carga de calor com temperatura ambiente e/ou exterior feedback	[Não]
Potencia calorífica Máxima continua	P_{max}	1,8	kW	Controlo electrónico da carga térmica com espaço e/ou temperatura exterior feedback espontâneo	[Não]
Electricidade auxiliar consumo				Produção de calor assistida por ventilador	[Não]
Na saída nominal de calor	eI_{max}	0.014 (motor de ventilador)	kW	Tipo de saída de calor/ temperatura ambiente controlo (seleccionar um)	
Na saída mínima de calor	eI_{min}	0.014 (motor de ventilador)	kW	saída de calor de estágio único e não controle de temperatura ambiente	[Não]
Modo de espera	eI_{SB}	0.48	W	Dois ou mais estágios manuais, não controle de temperatura ambiente	[Não]
				com sala de termostato mecânico controle de temperatura	[Não]
				com temperatura ambiente eletrônica ao controle	[Não]
				controle eletrônico de temperatura ambiente mais timer diurno	[Não]
				controle eletrônico de temperatura ambiente mais temporizador de semana	[Sim]
				Outras opções de controle (múltiplas seleções possíveis)	
				controle de temperatura ambiente, com detecção de presença	[Não]
				controle de temperatura ambiente, com detecção de janela aberta	[Não]
				com opção de controle de distância	[Não]
				Con control de arranque adaptativo	[Sim]
				com limitação de tempo de trabalho	[Não]
				com sensor de lâmpada preta	[Não]
Detalhes do contato:	SPANISHAOSOM, S.L C. Roc Gros n.15, 08550. Els Hostalets de Balenyà Tel: 931294512 (Seg-Sex das 7:30h às 16:30h) info@aosom.pt www.aosom.pt				

Observação:

Para os aquecedores eléctricos locais, a eficiência energética medida do aquecimento sazonal η_s não pode ser pior do que o valor declarado na saída nominal de calor da unidade.



Camino Elettrico



IMPORTANTE, LEGGERE E CONSERVARE QUESTO MANUALE D'ISTRUZIONE PER UN USO FUTURO.

MANUALE DI ISTRUZIONI E DI ASSEMBLAGGIO

Per iniziare

Rimuovere l'apparecchio dalla scatola.

Rimuovere tutti gli imballaggi dal prodotto.

Riporre l'imballaggio all'interno della scatola e conservarlo o smaltirlo in modo sicuro.

Nella scatola

Alloggiamento del camino

Pannello frontale

Pacchetto dei ciottoli

Pacchetto di viteria di fissaggio nascosta contenente: Viti e tasselli

Staffa di fissaggio

Telecomando

Manuale di istruzioni

Caratteristiche

Telecomando

Effetto fiamma danzante

Parte anteriore rimovibile

Riscaldatore con due impostazioni

Interruzione termica

Due impostazioni di calore

Montaggio a parete

Istruzioni di sicurezza

Quando si utilizzano apparecchi elettrici, è necessario seguire sempre le precauzioni di sicurezza basilari.

-Non utilizzare l'apparecchio finché non è fissato saldamente come indicato in questo manuale.

-Verificare che la tensione di rete indicata sulla targa dati corrisponda a quella della rete locale prima di collegare l'apparecchio alla rete elettrica.

- Controllare regolarmente che il cavo non sia danneggiato. Non utilizzare mai l'apparecchio se il cavo o qualsiasi parte dell'apparecchio mostra segni di danni.

- Se il cavo di alimentazione è danneggiato, deve essere sostituito da un tecnico qualificato per evitare pericoli.

-Tenere mobili, tende e altri materiali infiammabili ad almeno 1 metro di distanza dall'apparecchio.

- Non lasciare l'apparecchio incustodito durante l'uso.

-Non lasciare l'apparecchio incustodito mentre è collegato alla rete elettrica.

-Tenere fuori dalla portata dei bambini e non consentire loro di utilizzare questo apparecchio.

-Questo apparecchio è destinato esclusivamente all'uso domestico e non deve essere utilizzato per scopi industriali.

-Non utilizzare questo apparecchio dopo un malfunzionamento o dopo che è caduto o è stato danneggiato in qualsiasi modo.

-Le riparazioni agli apparecchi elettrici devono essere eseguite solo da un elettricista qualificato.

- Le riparazioni improprie possono esporre l'utente a gravi rischi.

- Non far passare il cavo di alimentazione sotto tappeti, moquette, etc.

-Non lasciare che il cavo di alimentazione penda da spigoli vivi o che venga a contatto con superfici calde.



AVVERTENZA: Per evitare il surriscaldamento, non coprire il riscaldatore.

-Non immergere mai il prodotto in acqua o altri liquidi per nessun motivo.

-Non utilizzare questo apparecchio nelle immediate vicinanze di un bagno, una doccia o una piscina.

- Non utilizzare l'apparecchio all'aperto.

- Non utilizzare con le mani bagnate.
- Non utilizzare mai l'apparecchio sopra o vicino a superfici calde.
- Non utilizzare con un cavo danneggiato.
- Prima di pulire l'apparecchio, assicurarsi che sia scollegato dalla presa di corrente e che si sia completamente raffreddato.
- Non pulire l'apparecchio con prodotti chimici abrasivi.
- Non utilizzare mai accessori che non siano consigliati o forniti dal produttore. Ciò potrebbe esporre l'utente a pericoli o danneggiare l'apparecchio.
- Questo apparecchio non è destinato all'uso da parte di persone (compresi i bambini) con capacità fisiche, sensoriali o mentali ridotte, o con mancanza di esperienza e conoscenza tecnica, a meno che non siano supervisionati o abbiano ricevuto le istruzioni relative all'uso dell'apparecchio da una persona responsabile della loro sicurezza.
- I bambini devono essere sorvegliati per assicurarsi che non giochino con l'apparecchio.
- Non sollevare l'apparecchio afferrandolo dal pannello frontale.
- Il riscaldatore non deve essere posizionato immediatamente sotto una presa di corrente.
- Tenere la parte superiore del riscaldatore ad almeno 1000 mm di distanza dal soffitto o da altri oggetti per ottenere una ventilazione ottimale del calore.
- ATTENZIONE: Per evitare rischi dovuti al ripristino involontario dell'elemento riscaldante, questo apparecchio non deve essere alimentato tramite un dispositivo di commutazione esterno, come un timer, o collegato a un circuito che viene regolarmente acceso e spento dalla rete.
- AVVERTENZA: Questo camino elettrico non è dotato di un dispositivo per il controllo della temperatura ambiente. Non utilizzare questo camino elettrico in locali piccoli quando sono occupati da persone che non sono in grado di uscire da sole, a meno che non vengano poste sotto supervisione costante.
- I bambini di età inferiore a 3 anni devono essere tenuti lontani dall'apparecchio a meno che non siano costantemente sorvegliati.
- I bambini di età compresa tra 3 e meno di 8 anni devono accendere/spengere l'apparecchio solo a condizione che sia stato collocato o installato nella posizione operativa prevista dal manuale e che siano supervisionati o che abbiano ricevuto le istruzioni relative all'uso dell'apparecchio in modo sicuro e ne comprendono i rischi inerenti. I bambini di età compresa tra 3 e meno di 8 anni non devono collegare, regolare e pulire l'apparecchio né eseguire la manutenzione.
- ATTENZIONE-Alcune parti di questo prodotto possono riscaldarsi molto e provocare ustioni. Prestare particolare attenzione in presenza di bambini e persone vulnerabili.
- Questo apparecchio può essere utilizzato da bambini di età pari o superiore a 8 anni e da persone con capacità fisiche, sensoriali o mentali ridotte o mancanza di esperienza e conoscenza tecnica se sono supervisionati o se hanno ricevuto le istruzioni sull'uso dell'apparecchio in modo sicuro e ne comprendono i rischi inerenti.
- La pulizia e la manutenzione non devono essere effettuate da bambini senza supervisione di un adulto.

Consigli utili prima del montaggio

- Conservare tutte le parti dell'imballaggio finché non si sono controllati e contati tutti i componenti e il contenuto del pacchetto viteria rispetta quanto indicato nell'elenco dei componenti.
- Il pacchetto viteria contiene piccoli parti, che devono essere tenuti lontano dalla portata dei bambini.
- Si consiglia di aprire il pacchetto viteria e di riporre tutto il contenuto in un contenitore, riducendo così il rischio di perdere le parti più piccole.

Installazione

-Non collegare il camino elettrico alla corrente finché non è stato fissato correttamente alla parete e le istruzioni non sono state lette per intero.

-Rispettare le distanze minime di installazione indicate.

-Durante l'installazione del camino elettrico è necessario prestare attenzione a non danneggiare i cavi nascosti.

-Si prega di fare attenzione mentre si praticano i fori.

-Questo apparecchio è progettato per essere fissato permanentemente ad una parete ad un'altezza minima di 300 mm. La staffa di supporto a parete deve essere montata orizzontalmente e il cavo deve essere fatto passare in basso a destra del camino elettrico.

-Si consiglia un'altezza di 600 mm dal lato inferiore del riscaldatore al pavimento per una visione ottimale del serbatoio del combustibile (fare riferimento alla Fig.2 per le dimensioni di fissaggio consigliate).

-Tenere la parte superiore del camino elettrico ad almeno 1000 mm di distanza dal soffitto o da altri oggetti per ottenere una ventilazione ottimale del calore.

-Per una visualizzazione ottimale, contrassegnare le prime cinque posizioni di fissaggio delle viti sulla parete in base alle dimensioni consigliate, fare riferimento alla Fig.2. Praticare i fori con una punta da sei.

-Fissare la staffa di supporto a parete utilizzando il tassello e le viti in dotazione.

-Sollevare con attenzione il camino elettrico assicurandosi che le due fessure posteriori e superiori del camino elettrico si incastrino nella staffa (Fig.3) e siano posizionate centralmente.

Portare delicatamente il camino elettrico a livello del muro.

Contrassegnare la posizione dei due fori inferiori, fare riferimento alla Fig.5, rimuovere il camino elettrico assicurandosi che la staffa di fissaggio inferiore sia ruotata verso l'alto.

Forare e montare il tassello.

-Rimontare il camino elettrico sulla staffa di fissaggio a parete e ruotare nuovamente la staffa verso il basso e utilizzare la vite in dotazione per fissare permanentemente il camino elettrico in posizione.

-Estrarre i ciottoli dalla confezione e posizzarli lungo il lato con le luci in posizione desiderata.

-Posizionare il pannello di vetro anteriore sulla parte anteriore del camino elettrico allineando i ganci su ciascun lato del pannello di vetro con le fessure su ciascun lato dell'alloggiamento del camino elettrico. Fare riferimento alla Fig.4. Quindi far scorrere verso il basso il pannello di vetro in posizione. Anche in questo caso saranno necessarie due persone per completare questa operazione.

-Inserire e stringere la vite del pannello di vetro anteriore. Fare riferimento alla Fig.6 per fissare il pannello di vetro anteriore al riscaldatore.(Solo per 820-052 e 820-0357)

820-052 ,820-0357:

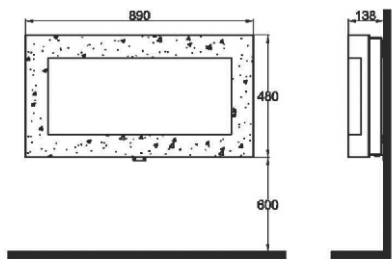


Fig.1

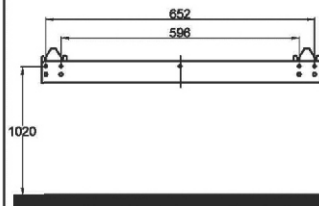


Fig.2

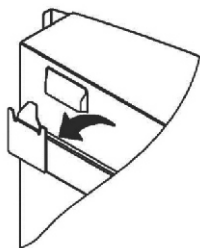


Fig.3

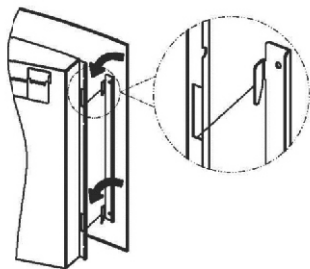


Fig.4

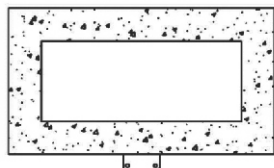


Fig.5

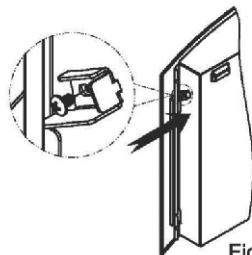
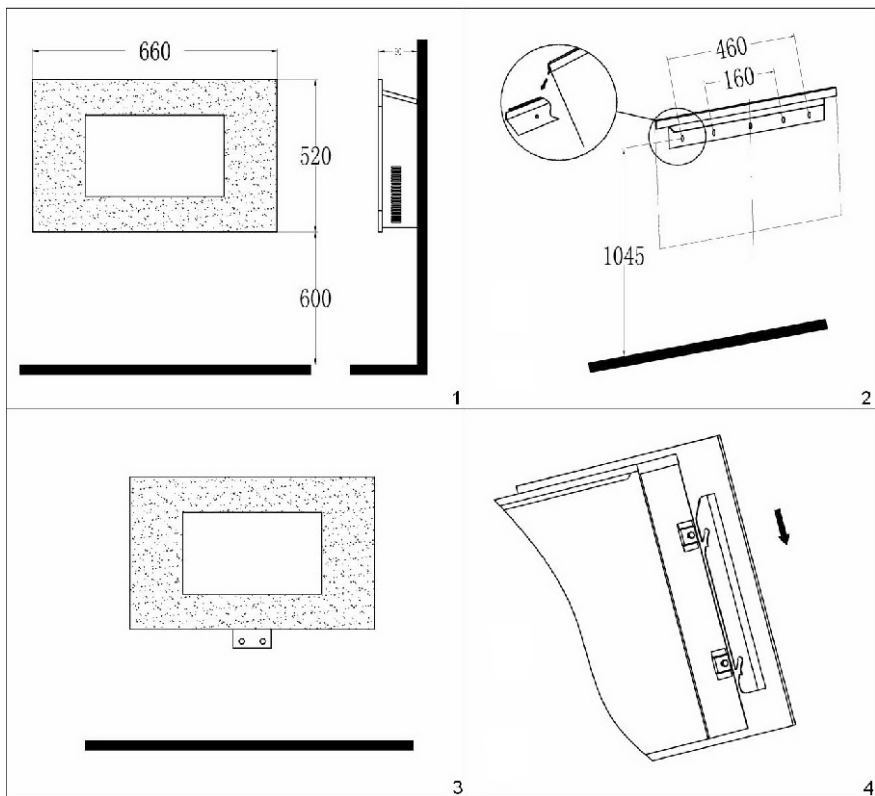


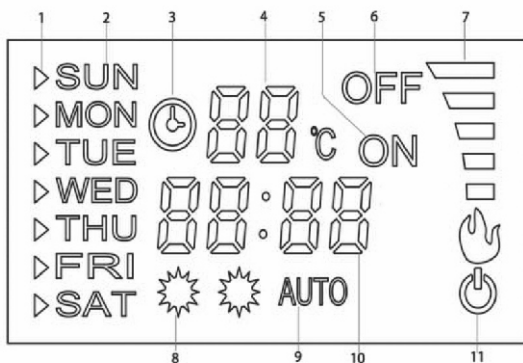
Fig.6

820-053,02-0358:



Istruzioni per l'uso

L'apparecchio può essere azionato tramite gli interruttori situati in alto a destra del fuoco o tramite il telecomando in dotazione.



1	Course	2	Orario	3	Timer
4	Visualizzazione della temperatura/numero seriale	5	Timer acceso	6	Timer spento
7	Luminosità della fiamma	8	Posizione del fuoco	9	Controllo automatico del riscaldamento
10	Display di Orario/Temperatura	11	Standby		

Visualizzazione temperatura e numero di serie: L'impostazione predefinita visualizza la temperatura ambiente; Mentre scegliendo la temperatura, viene visualizzata la temperatura impostata; Quando si imposta il timer, viene visualizzato il numero di serie.

Visualizzazione orario/temperatura: l'impostazione predefinita visualizza l'ora corrente; durante l'impostazione del timer, viene visualizzata l'ora impostata. Quando si imposta la temperatura del timer settimanale, viene visualizzata la temperatura.

Orario di accensione e di spegnimento: viene visualizzato durante l'impostazione del timer e viene utilizzato in combinazione con l'impostazione del numero di serie.

Luminosità della fiamma: Visualizza la luminosità attuale della fiamma, che varia da una a cinque posizioni.

Manuale d'uso

Azionare gli interruttori situati in alto a destra del camino.

L'interruttore di accensione deve essere prima acceso, il camino emetterà un segnale acustico per indicare che è acceso.

Premere una volta il pulsante O/I per accendere l'apparecchio e utilizzare l'effetto fuoco. Si accenderà una spia rossa per indicare che il fuoco è acceso. Tenere premuto il pulsante O/I per 3 secondi per attivare la modalità di oscurazione, tenere premuto il pulsante fino a ottenere la luminosità desiderata.

820-052,02-0357:

Premere una volta il pulsante POWER per impostare il riscaldamento basso da 1000 W;

Premere due volte per impostare il riscaldamento elevato da 2000 W;

Premere tre volte per disattivare il riscaldamento.

820-053,02-0358:

Premere una volta il pulsante POWER per impostare il riscaldamento basso da 900 W;

Premere due volte per impostare il riscaldamento elevato da 1800 W;

Premere tre volte per disattivare il riscaldamento.

Premere il pulsante SPIA POSTERIORE per regolare i colori delle decorazioni LED, 7 colori disponibili.

Funzionamento telecomandato

L'interruttore di accensione situato in alto a destra del camino elettrico deve essere prima acceso; il camino emetterà un segnale acustico per indicare che è acceso.

Ci vuole un po' di tempo perché il ricevitore risponda al trasmettitore. Non premere i pulsanti più di una volta entro i primi due secondi affinché il camino funzioni normalmente.

1. Step di accensione

1) Connettere all'alimentazione di corrente

2) Accendere l'interruttore

3) Premere l'interruttore di controllo o il tasto "ON/OFF" del telecomando per accendere

4) **820-052,02-0357**: Premere una volta il pulsante 1000W/2000W per impostare il riscaldamento basso da 1000W; premere due volte per impostare il riscaldamento elevato da 2000 W; premere tre volte per disattivare il riscaldamento.

820-053,02-0358: Premere una volta il pulsante 900W/1800W per impostare il riscaldamento basso da 900W; premere due volte per impostare il riscaldamento elevato da 1800 W; premere tre volte per disattivare il riscaldamento.

5) Premere il pulsante OSCURAMENTO per attivare la modalità di oscurazione della luminosità, premere nuovamente per aumentare e diminuire la luminosità.

6) Premere il pulsante SPIA POSTERIORE per regolare i colori delle decorazioni LED, 7 colori disponibili.

2. Riscaldamento automatico

Premere il pulsante "IC" sul telecomando per avviare o spegnere la modalità' di riscaldamento automatico.

Una volta acceso, il caminetto può cambiare la modalità di riscaldamento automaticamente in base alla temperatura impostata e alla temperatura ambiente.

Durante un processo di avvio con timer, è possibile avviare il riscaldamento prima del previsto.

3. Impostare il giorno e l'ora

1) Le impostazioni vengono effettuate dal telecomando

2) Premere il pulsante "DATA E ORA", quindi premere il tasto " ▲ " o " ▼ " per selezionare il giorno.

3) Premere nuovamente il pulsante " DATA E ORA ", quindi premere "+" o "-" per impostare l'ora.

4) Premere nuovamente il pulsante " DATA E ORA ", quindi premere "+" o "-" per impostare i minuti.

5) Premere il pulsante "OK" per confermare.

4. Impostazione della temperatura

La temperatura impostata predefinita è di 20 °C, premere "+" o "-" sul telecomando per impostare la temperatura in un intervallo da 15 a 30 °C. Questo metodo di impostazione riguarda solo la temperatura nella modalità normale, non la temperatura nella modalità di avvio con timer.

NOTA: la temperatura impostata deve essere superiore alla temperatura ambiente per il funzionamento del riscaldamento.

5. Impostazione del timer

1)Descrizione delle impostazioni di temperatura

Sono disponibili fino a 10 voci per l'impostazione del timer.

Ciascuna voce ha la propria data, ora di accensione e ora di spegnimento.

La durata massima di ciascuna voce di impostazione è di 23 ore e 50 minuti.

La data di impostazione per ciascuna voce può essere qualsiasi giorno o giorni della settimana.

La data di ciascuna voce rappresenta la data e l'ora di accensione.

Se l'orario di spegnimento dell'impostazione cade il secondo giorno, non è necessario impostare la data: è sufficiente impostare l'orario di spegnimento.

2)Step per visualizzare le impostazioni del timer

Premere il pulsante "IMPOSTAZIONE TIMER".

Premere "+" o "-" per impostare l'ora di accensione del timer un tocco per volta.

Per visualizzare l'ora di spegnimento, premere il pulsante " ▲ "

Premere "+" o "-" per continuare la visualizzazione.

Per eliminare la voce impostata al momento, premere "C".

3) Step per impostare il timer

(I) Selezionare le impostazioni del numero di serie

Premere il pulsante "IMPOSTAZIONE TIMER" e il numero di serie inizierà a lampeggiare.

Premere "+" o "-" per modificare il numero di serie finché non si ottiene il numero di serie che è necessario impostare o modificare.

(II) Selezionare la data

Premere ancora una volta il pulsante "IMPOSTAZIONE TIMER" e il cursore sul lato sinistro del giorno inizierà a lampeggiare.

Premere i tasti "▲" o "▼" per spostare il cursore sul giorno desiderato, premere "+" per aggiungere il giorno desiderato, oppure premere "-" per eliminare il giorno corrente fino a completare la selezione di tutte le date.

(III) Impostare l'orario di accensione

Continuare a premere il pulsante "IMPOSTAZIONE TIMER", l'ora inizierà a lampeggiare

Premere "+" o "-" per regolare l'ora.

Continuare a premere il pulsante "IMPOSTAZIONE TIMER", i minuti inizieranno a lampeggiare.

Premere "+" o "-" per regolare i minuti

(IV) Impostare l'orario di spegnimento

Premere il pulsante "IMPOSTAZIONE TIMER", il display si spegnerà e l'ora inizierà a lampeggiare.

Premere "+" o "-" per regolare l'ora.

Continuare a premere il pulsante "IMPOSTAZIONE TIMER", i minuti inizieranno a lampeggiare.

Premere "+" o "-" per regolare i minuti

(V) Impostazione della temperatura

Premere quindi il pulsante "IMPOSTAZIONE TIMER" e la temperatura impostata inizierà a lampeggiare. In questo momento, la temperatura visualizzata è normalmente la temperatura impostata, che può essere regolata premendo "+" o "-".

(VI) Premere il pulsante "IMPOSTAZIONE TIMER" per continuare con l'impostazione, quindi premere "OK" per completare l'impostazione.

6. Interruttore del timer

Il pulsante "TIMER ON/OFF" serve per controllare l'inizio e la fine del timer.

Riavviare l'apparecchio dopo aver interrotto l'alimentazione di corrente, l'impostazione originale verrà mantenuta, ma la data e l'ora correnti devono essere reimpostate.

NOTA 1: Quando il timer settimanale è acceso, è necessario attivare la funzione di riscaldamento, altrimenti quando l'apparecchio verrà messo nuovamente in funzione, funzionerà solo l'effetto fiamma.

NOTA 2: Ripetere le stesse procedure per impostare più cicli temporali, se necessario, al termine del ciclo temporale 01.

NOTA 3: Una volta terminata l'impostazione del timer settimanale, la funzione "TIMER ON/OFF" può essere utilizzata.

Dispositivo di interruzione di sicurezza

Questo apparecchio è dotato di un dispositivo di sicurezza che entra in funzione in caso di surriscaldamento del camino elettrico (ad esempio a causa dell'ostruzione delle prese d'aria). Per ragioni di sicurezza, il camino NON si riaccenderà automaticamente.

Per ripristinare l'apparecchio, scollegarlo dalla rete elettrica per almeno 15 minuti.

Ricollegarsi alla rete elettrica e accendere l'apparecchio.

Problema	Soluzione
Non funziona / no ventola.	Controllare se è stata inserita la spina nella presa di corrente. Controllare se è entrato in funzione l'interruttore di sicurezza.
Nessun effetto luminoso delle fiamme.	Far controllare il sistema LED da un elettricista qualificato.

Pulizia e manutenzione

Avvertenza: scollegare sempre dall'alimentazione di rete prima di pulire il camino elettrico.

Per la pulizia generale, utilizzare uno straccio morbido e pulito, non utilizzare mai detergenti abrasivi o aggressivi. Lo schermo di visualizzazione in vetro deve essere pulito accuratamente con un panno morbido. NON utilizzare detergenti per vetri proprietary.

Questo prodotto non utilizza una lampadina standard per il suo effetto fiamma. L'apparecchio utilizza un sistema LED controllato elettronicamente per creare l'effetto, quindi non è necessario sostituire parti. Su questo apparecchio non sono presenti parti riparabili dall'utente. In nessun caso la manutenzione dell'apparecchio deve essere eseguita da persone diverse da un elettricista qualificato.

Smaltimento

Al termine della vita utile del prodotto, è necessario smaltirlo in modo accurato e sicuro in conformità con le normative delle autorità locali. La spina deve essere rimossa dal cavo di alimentazione e il cavo di alimentazione tagliato dal riscaldatore.

Specifiche tecniche

820-052,02-0357

Alimentazione: 220-240V~ 50Hz

Potenza nominale: 2000W

Luci: lampadine LED (parti non sostituibili)

820-053,02-0358:

Alimentazione: 220-240V~ 50Hz

Potenza nominale: 1800W

Luci: lampadine LED (parti non sostituibili)



Significato del bidone con ruote barrato:

Non smaltire gli apparecchi elettrici come rifiuti urbani indifferenziati, utilizzare le strutture di raccolta differenziata preposte.

Contattare il vostro comune per ottenere informazioni riguardanti i sistemi di raccolta disponibili.

Se gli apparecchi elettrici vengono smaltiti in discariche, le sostanze pericolose possono penetrare nelle falde acquifere ed entrare nella catena alimentare, danneggiando la salute e il benessere di tutti.

In caso di dubbio, si prega di contattare il nostro centro assistenza clienti.

I nostri dettagli di contatto sono di seguito:



0039-0249471447



clienti@aosom.it

IMPORTATO DA:

AOSOM Italy srl

Centro Direzionale Milanofiori

Strada 1 Palazzo F1

20057 Assago (MI)

P.I.: 08567220960

FATTO IN CINA

Tabella dei requisiti informativi per gli apparecchi elettrici di riscaldamento dell'ambiente.

Identificatore(i) di modello :820-052 02-0357					
Voce	Simbolo	Valore	Unità	Voce	Unità
Potenza termica			Tipo di portata termica, solo per gli apparecchi per gli apparecchi elettrici di riscaldamento dell'ambiente ad accumulo (selezionarne uno)		
Potenza termica nominale	P _{nom}	2,0	kW	Controllo manuale della temperatura con termostato integrato	[non applicabile]
Potenza termica minima (indicativa)	P _{min}	1,0	kW	Controllo manuale della temperatura con feedback di temperatura ambiente e/o esterna	[non applicabile]
Potenza termica continua massima	P _{max}	2,0	kW	Controllo elettronico della temperatura con feedback di temperatura ambiente e/o esterna	[non applicabile]
Consumo elettrico ausiliario			Potenza termica assistita da ventola		
A potenza termica nominale	e _{lmax}	0,014 (motore della ventola)	kW	Tipo di potenza termica/controllo della temperatura ambiente (selezionarne uno)	
A potenza termica minima	e _{lmin}	0,014 (motore della ventola)	kW	Potenza termica monostadio e nessun controllo della temperatura ambiente	[no]
In modalita' standby	e _{lss}	0,48	W	Due o più fasi manuali, senza controllo della temperatura ambiente	[no]
				Con termostato meccanico per il controllo della temperatura ambiente	[no]
				Con controllo elettronico della temperatura ambiente	[no]
				Controllo elettronico della temperatura ambiente e timer giornaliero	[no]
				Controllo elettronico della temperatura ambiente e timer settimanale	[yes]
				Altre opzioni di controllo (selezioni multiple possibili)	
				Controllo della temperatura ambiente, con rilevazione di presenza	[no]
				Controllo della temperatura ambiente, con rilevamento finestra aperta	[no]
				Dotato di opzione di controllo a distanza	[no]
				Con controllo di accensione adattivo	[yes]
				Con limitazione dell'orario di funzionamento	[no]
				Sensore con lampadina nera	[no]
Contatti:	IMPORTATO DA: AOSOM Italy srl Centro Direzionale Milanofiori Strada 1 Palazzo F1 20057 Assago (MI) P.I.: 08567220960 FATTO IN CINA				
Note: Per gli apparecchi elettrici destinati al riscaldamento dei locali, l'efficienza energetica stagionale di riscaldamento misurata non può essere inferiore al valore dichiarato alla potenza termica nominale dell'unità.					

Tabella dei requisiti informativi per gli apparecchi elettrici di riscaldamento dell'ambiente.

Identificatore(i) di modello :820-053 02-0358					
Voce	Simbolo	Valore	Unità	Voce	Unità
Potenza termica			Tipo di portata termica, solo per gli apparecchi per gli apparecchi elettrici di riscaldamento dell'ambiente ad accumulo (selezionarne uno)		
Potenza termica nominale	P _{nom}	1,8	kW	Controllo manuale della temperatura con termostato integrato	[non applicabile]
Potenza termica minima (indicativa)	P _{min}	0,9	kW	Controllo manuale della temperatura con feedback di temperatura ambiente e/o esterna	[non applicabile]
Potenza termica continua massima	P _{max}	1,8	kW	Controllo elettronico della temperatura con feedback di temperatura ambiente e/o esterna	[non applicabile]
Consumo elettrico ausiliario			Potenza termica assistita da ventola		
A potenza termica nominale	e _{lmax}	0,014 (motore della ventola)	kW	Tipo di potenza termica/controllo della temperatura ambiente (selezionarne uno)	
A potenza termica minima	e _{lmin}	0,014 (motore della ventola)	kW	Potenza termica monostadio e nessun controllo della temperatura ambiente	[no]
In modalita' standby	e _{lss}	0,48	W	Due o più fasi manuali, senza controllo della temperatura ambiente	[no]
				Con termostato meccanico per il controllo della temperatura ambiente	[no]
				Con controllo elettronico della temperatura ambiente	[no]
				Controllo elettronico della temperatura ambiente e timer giornaliero	[no]
				Controllo elettronico della temperatura ambiente e timer settimanale	[yes]
				Altre opzioni di controllo (selezioni multiple possibili)	
				Controllo della temperatura ambiente, con rilevazione di presenza	[no]
				Controllo della temperatura ambiente, con rilevamento finestra aperta	[no]
				Dotato di opzione di controllo a distanza	[no]
				Con controllo di accensione adattivo	[yes]
				Con limitazione dell'orario di funzionamento	[no]
				Sensore con lampadina nera	[no]
Contatti:	IMPORTATO DA: AOSOM Italy srl Centro Direzionale Milanofiori Strada 1 Palazzo F1 20057 Assago (MI) P.I.: 08567220960 FATTO IN CINA				
Note: Per gli apparecchi elettrici destinati al riscaldamento dei locali, l'efficienza energetica stagionale di riscaldamento misurata non può essere inferiore al valore dichiarato alla potenza termica nominale dell'unità.					

The image shows a logo for 'Aosom' centered at the bottom of a white page. The page is framed by a black border at the top and a thin black border on the sides and bottom. The logo consists of the word 'Aosom' in a simple, sans-serif font.