

# Soozier

IN221200234V02\_US\_CA

**342-007V01**

EN



Read these materials prior to assembling and using this trampoline and trampoline enclosure.

Keep this manual so you can refer to it later.

For use by children ages 3 to 10 years ONLY.

Maximum user weight 50kg.

ADULT ASSEMBLY REQUIRED - Contains small parts, sharp points and sharp edges.

CHOKING HAZARD - Small parts - not for children under 3 yrs.

**IMPORTANT, RETAIN FOR FUTURE REFERENCE: READ CAREFULLY**

## **ASSEMBLY INSTRUCTION**



## WARNING:

Read these materials prior to assembling and using this trampoline.

### Table of Contents

Liability .....	2
Initial Warning .....	2
Assembly and Installation Instructions.....	3
Care and Maintenance Instructions .....	3
Use Instructions .....	4
Trampoline Safety and Accident Prevention.....	5
Owner's and Supervisor's Role in Preventing Injuries & Responsibilities .....	5
User's Role in Preventing Injuries & Responsibilities .....	5
Trampoline & Enclosure Assembly .....	6 - 8

### Liability

While every attempt is made to embody the highest degree of protection in all equipment, we cannot guarantee freedom from injury. The user assumes all risk of injury due to use. All merchandise is sold on this condition, which no representative of the company can waive or change.



## WARNING:

**In addition to the instructions and precautions provided with your Trampoline, the following precautions must be observed while using the Trampoline Safety Enclosure.**

- DO NOT attempt or allow somersaults on the Trampoline. Landing on the head or neck can cause serious injury, paralysis, or death, even when landing in the middle of the bed.
- Do not allow more than one person on the trampoline or inside the trampoline enclosure. Use by more than one person at the same time can result in serious injuries.
- The metal frame of the trampoline enclosure will conduct electricity. Lights, extension cords, and all such electrical equipment must never be allowed to come in contact with the enclosure.
- Inspect the enclosure before each use. Make sure the straps and all parts are correctly and securely positioned and attached. Tighten any loose hardware. Replace any worn, defective, or missing parts.
- Wear comfortable clothing free of hooks, snaps, drawstrings or anything which may snag or catch in the safety enclosure mesh. Remove jewelry, necklaces, and earrings.
- Climb on and off the trampoline only through the safety enclosure entrance and securely close entrance. Users, especially children, must not attempt to enter or exit between the trampoline frame and the enclosure. Doing this may pose a strangulation risk.
- Do not touch or rebound off the safety enclosure mesh while using the trampoline.
- Read all instructions and complete all assembly before allowing your child to use the trampoline & safety enclosure.
- Use trampoline and trampoline enclosure only with mature, knowledgeable adult supervision.

**For Recreational Use ONLY. Not for Professional Use.  
Weight Limit for Trampoline & Enclosure User is 50kg.**



## **WARNING: Assembly and Installation Instructions**

- ADULT ASSEMBLY REQUIRED - Contains small parts, sharp points and sharp edges.
- CHOKING HAZARD - Small parts - Not for children under 3 yrs.
- For use by children ages three (3) to ten (10) ONLY.
- Maximum user weight is 50 kg.
- Adequate overhead clearance is essential. A minimum of 8 ft from ground level is recommended. Provide clearance for wires, tree limbs, and other possible hazards.
- Lateral clearance is essential. Place the trampoline and trampoline enclosure away from walls, structures, fences, and other play areas. Maintain a clear space on all sides of the trampoline and trampoline enclosure. A minimum of six feet from frame edge is recommended.
- Never set-up the trampoline in heavy rain, wind or storm conditions, especially lightning storms. It is recommended that the trampoline be taken apart and stored in bad weather.
- Place the trampoline and trampoline enclosure on a level surface before use.
- Secure the trampoline and trampoline enclosure against unauthorized and unsupervised use.
- Remove any obstructions from beneath the trampoline and trampoline enclosure prior to use.
- The owner and supervisors of the trampoline and trampoline enclosure are responsible to make all users aware of practices specified in the "Use Instructions".



## **WARNING: Care and Maintenance Instructions**

Inspect the trampoline and trampoline enclosure before each use and replace any worn, defective, or missing parts.

The following conditions could represent potential hazards:

1. Missing, improperly positioned, or insecurely attached frame padding, barrier or enclosure support system (frame) padding and pole caps.
2. Punctures, frays, tears, or holes worn in the bed or frame padding, barrier or enclosure support system (frame) padding and pole caps.
3. Deterioration in the stitching or fabric of the bed or frame padding, barrier or enclosure support system (frame) padding and pole caps.
4. Ruptured suspension cords.
5. A bent or broken frame or support system.
6. A sagging barrier or bed.
7. Sharp protrusions on the frame or suspension system.
8. Loosened or missing hardware. Always make sure hardware is tight before each use.



## **WARNING:** Use Instructions

- DO NOT attempt or allow somersaults on the Trampoline. Landing on the head or neck can cause serious injury, paralysis, or death, even when landing in the middle of the bed.
  - Do not allow more than one person on the trampoline or inside the trampoline enclosure. Use by more than one person at the same time can result in serious injuries.
- Keep objects away which could interfere with the performer. Maintain a clear area around the trampoline.
- Do not allow foreign objects or animals on the trampoline.
  - Children should only use trampoline and trampoline enclosure with mature, knowledgeable adult supervision.
  - Trampoline is for use by children ages three (3) to ten (10).
  - The trampoline should be assembled in its entirety before each use. All suspension cords must be attached to the frame. The frame cover must be correctly positioned at all times.
  - Never set-up the trampoline in heavy rain, wind or storm conditions, especially lightning storms. It is recommended that the trampoline be taken apart and stored in bad weather.
  - Inspect the trampoline & enclosure before each use. Make sure the frame cover, barrier mesh, and enclosure support padding are correctly and securely positioned. Replace any worn, defective or missing parts.
  - The metal frame of the trampoline and trampoline enclosure will conduct electricity. Lights, extension cords, and all such electrical equipment must never be allowed to come in contact with the trampoline or trampoline enclosure.
  - Wear comfortable clothing. Remove jewelry, necklaces, and earrings. Wear clothing free of drawstrings, hooks, loops or anything that could get caught in the barrier mesh.
  - Enter and exit the enclosure only at the enclosure door or barrier opening designated for that purpose. It is dangerous practice to jump from the trampoline to the ground or floor when dismounting, or to jump onto the trampoline when mounting. Do not use the trampoline as a springboard to other objects.
  - Stop bounce by flexing knees as feet come in contact with the trampoline bed. Learn this skill before attempting others.
  - Avoid bouncing too high. Stay low until bounce control and repeated landing in the center of the trampoline can be accomplished. Control is more important than height.
  - While keeping the head erect, focus eyes on the trampoline toward the perimeter. This will help control bounce.
  - Avoid bouncing when tired. Keep turns short.
  - Properly secure the trampoline when not in use. Protect it against unauthorized use.
  - The adult supervisor must not be under the influence of alcohol or drugs.
  - For additional information concerning the trampoline equipment, contact the manufacturer.
  - For information concerning skill training, contact a certified trampoline instructor.
  - Bounce only when the surface of the bed is dry. Wind or air movement should be calm to gentle. The trampoline must not be used in gusty or severe winds. The trampoline should be taken apart or stored indoors during these types of weather conditions.
  - Read all instructions before using the trampoline and trampoline enclosure. Warnings and instructions for care, maintenance, and use of this trampoline and trampoline enclosure are included to promote safe, enjoyable use of this equipment.
  - Do not intentionally bounce off the barrier.
  - Do not attempt to jump over barrier or attempt to crawl under barrier.
  - Do not hang from, kick, cut or climb on barrier.
  - Do not attach anything to the barrier that is not a manufacturer approved accessory or part of the enclosure system.

## Trampoline Safety and Accident Prevention

As in most recreational sport, participants may be injured. This section covers the most common accidents. Responsibilities of the supervisors and jumpers in accident prevention are also outlined.

The following are reasons why accidents happen:

- Attempting somersaults. Landing on the head or neck can cause serious injury, paralysis, or death, even when landing in the middle of the bed.
- More than one person on the trampoline. Use by more than one person at the same time can result in serious injuries.
- Incorrect mounting and dismounting. Carefully crawl out of and into the trampoline bed. Do not jump off to the ground. Do not jump from a roof, or other object onto the trampoline. Small children may need assistance to get on or off the trampoline. Do not step onto the suspension system.
- Hitting the frame. Stay in the center of the trampoline when jumping. Injury may result from hitting the frame when control is lost. Be sure the frame cover is always on and the pads securely fastened. Do not jump directly onto the frame pad.
- Loss of control. A jumper who loses control will increase his/her chance of injury. Be sure to familiarize yourself with the basic jumps before doing more difficult ones. Jumps should be mastered, performed repeatedly before moving on to the next level. To regain control and stop your jump, bend your knees sharply as you land.
- The adult supervisor must not be under the influence of alcohol or drugs.
- Foreign objects. Please make sure there is nothing sharp under and around the trampoline. Hitting objects under the trampoline can cause injury. Jumping with a foreign object can also increase the chances of getting injured. Be sure there is adequate clearance 8 feet above and 6 feet around the trampoline. Be careful of overhead wires, tree limbs etc.
- Bad weather. Do not use your trampoline in gusty winds or inclement weather. The bed should not be wet.
- Poor maintenance of the trampoline. Make sure you inspect the trampoline before every use. Check for punctures on the bed, sharp burrs on the frame, stitching that has gone bad or loose elastic bands. If a replacement part is needed, please call our hotline to order.
- Unlimited access. The trampoline should be covered or dis-assembled when not in use. This will prevent unsupervised small children from using the trampoline.

### Owner's & Supervisor's Role in Preventing Injuries & Responsibilities





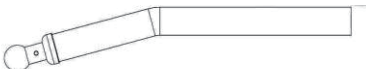

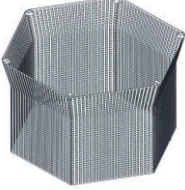


The supervisor's role is to make sure the users know all the safety rules as well as learn the basic, fundamental bounces. They need to enforce all the safety rules and warnings in the manual, frame and labels. When a supervisor is not available, the trampoline may be dis-assembled or covered to limit access. It is the supervisor's responsibility that the placards with the Trampoline Safety Tips and Enclosure Safety tips are reviewed and all jumpers are informed about the tips.

### User's Role in Preventing Injuries & Responsibilities

The jumper must first learn all of the basic, fundamental bounces before attempting more difficult ones. Low, controlled bounces are a good start before learning the basic landing positions and combinations. Jumpers need to understand that control is key to a successful jump. Following the tips on the placard is important. Contact a certified trampoline instructor for more information.

## Parts list

Ref.Number	Part Number	Description	Unit
1	TR01	Trampoline frame	6
2	TR02	Trampoline legs	6
3	TR03	Jump mat	1
4	TR04	Elastic springs	36
5	TR05	Net pole top	6
6	TR06	Net pole bottom	6
7	TR07	Net	1
8	TR08	Screws	24
9	TR09	Tool 1	1
10	TR15	Manual	1

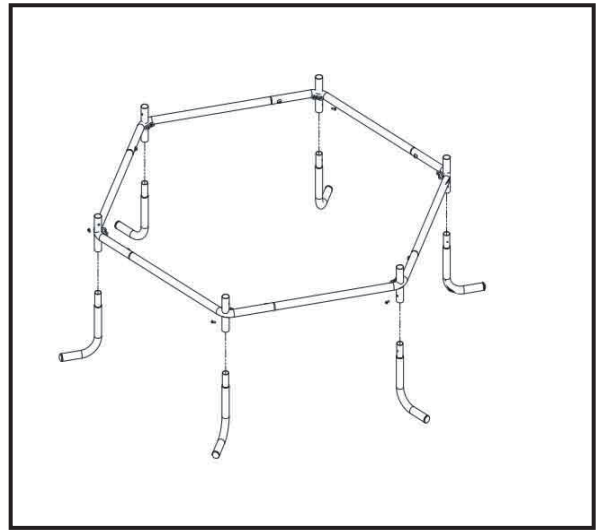
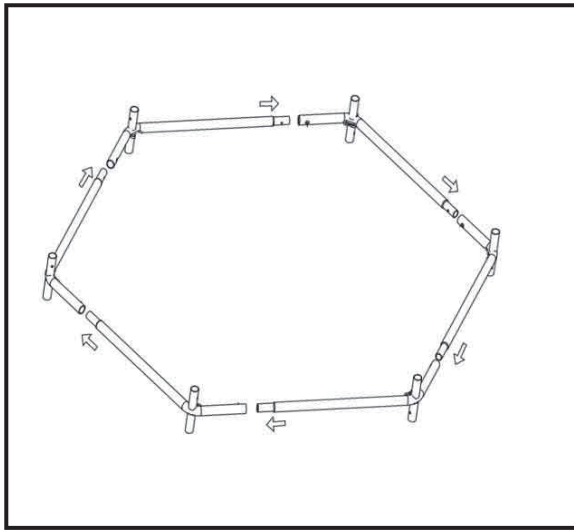
 <p>TR01 x 6pcs</p>	 <p>TR02 x 6pcs</p>	 <p>TR03 x 1pcs</p>
 <p>TR04 x 36pcs</p>	 <p>TR05 x 6 pcs</p>	 <p>TR06 x 6pcs</p>
 <p>TR07 x 1pcs</p>	 <p>TR08 x 24pcs</p>	 <p>TR09x 1pcs</p>



---

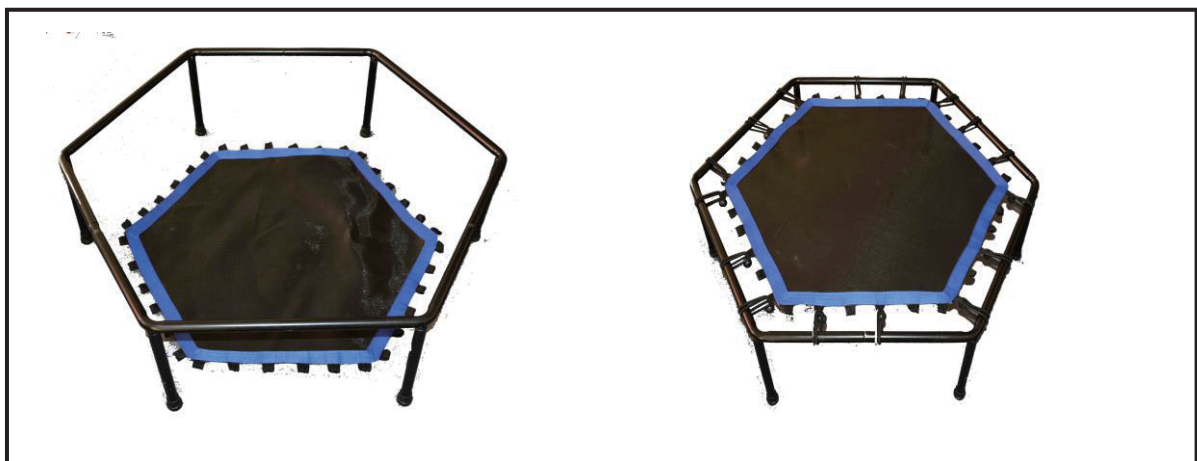
## Assembly Instructions

1. Lay all the trampoline part on the floor, connect 6 piece trampoline frame.

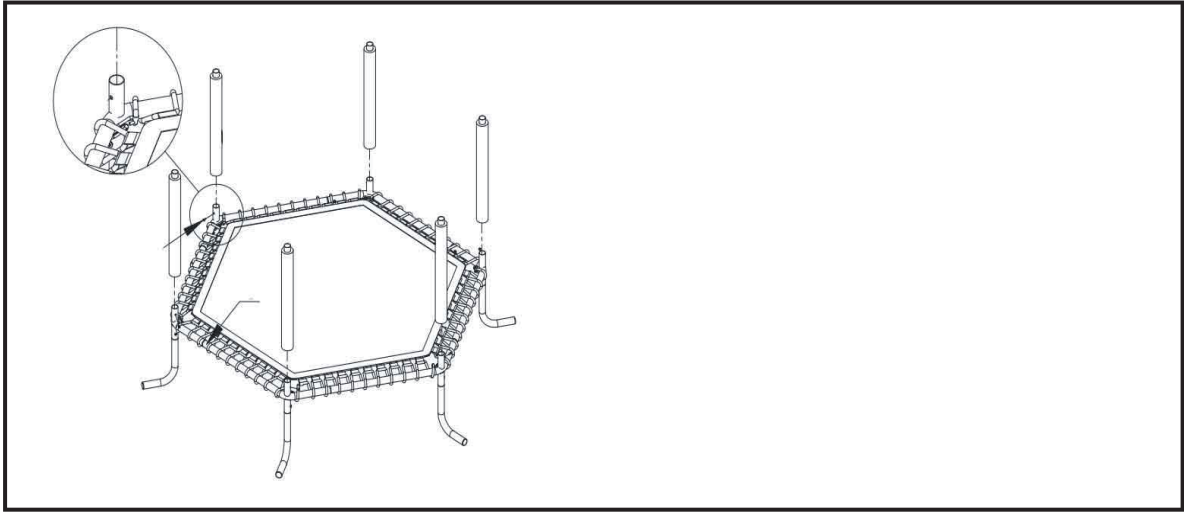


2. Install the “L” leg tube into the main rack in turn and tighten the screws by tool.
3. With the trampoline frame now open and take out the jump mat in the middle of the frame ,now start to install the elastic springs, Install two elastic spring by two side of the frame ,Install the elastic spring to other two side of the frame, keep on install other ropes as show. (attention: Install the jump mat need base on below Assembly Instructions)

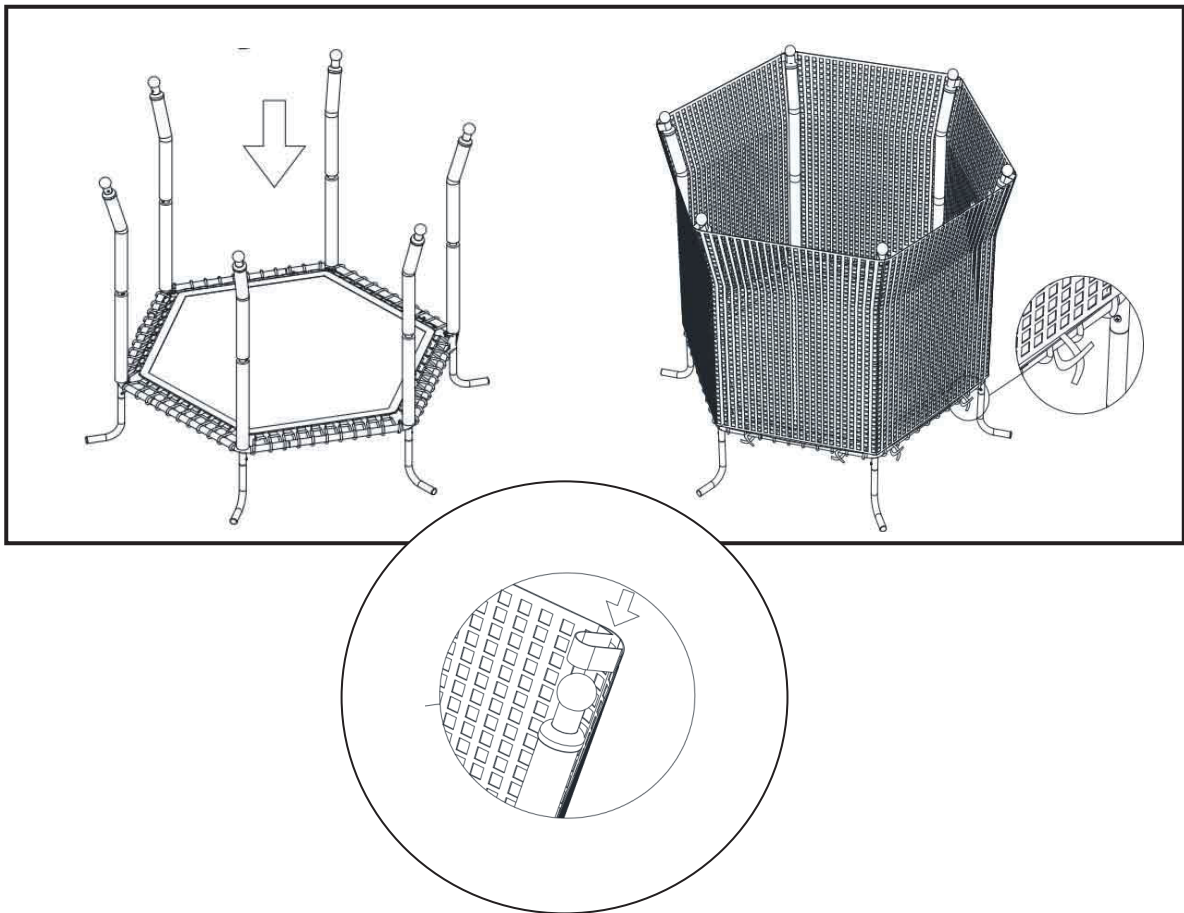
Note: Please wear gloves when You install the elastic springs.



- 
4. Insert the top net pole and bottom net pole into the main frame separately as show .



5. Secure the net from the top down to the main rack with the fastening buckle of the net on the ball head and tie the elastic band below to the pipe below.





# Soozier

IN221200234V02\_US\_CA

**342-007V01**

FR



Lisez ces instructions avant d'assembler et d'utiliser ce trampoline et son filet de sécurité.

Conservez ce manuel pour pouvoir vous y référer ultérieurement.

Utilisation par des enfants âgés de 3 à 10 ans **UNIQUEMENT**.

Poids maximal de l'utilisateur: 50kg.

**ASSEMBLAGE PAR UN ADULTE REQUIS** - Contient de petites pièces, des pointes et des bords tranchants.

**RISQUE D'ÉTOUFFEMENT** - Petites pièces - ne convient pas aux enfants de moins de 3 ans.

**IMPORTANT - CONSERVEZ CES INFORMATIONS  
POUR VOTRE CONSULTATION ULTÉRIEURE: LISEZ ATTENTIVEMENT**

## **INSTRUCTIONS D'ASSEMBLAGE**



## AVERTISSEMENT:

Lisez ces instructions avant d'assembler et d'utiliser ce trampoline.

### Table des matières

Responsabilité.....	10
Avertissement initial.....	10
Instructions d'assemblage et d'installation.....	11
Instructions d'entretien et de maintenance.....	11
Instructions d'utilisation.....	12
Sécurité du trampoline et prévention des accidents.....	13
Rôle du propriétaire et de la personne chargée de la surveillance dans la prévention des blessures et Responsabilités.....	13
Rôle de l'utilisateur dans la prévention des blessures et responsabilités.....	13
Assemblage du trampoline et de l'enceinte de sécurité.....	14-16

### Responsabilité

Bien que nous fassions tout notre possible pour offrir le plus grand degré de protection dans tous les équipements, nous ne pouvons pas garantir l'absence de blessures. L'utilisateur assume tous les risques de blessure liés à l'utilisation. Toutes les marchandises sont vendues à cette condition, à laquelle aucun représentant de la société ne peut renoncer ou changer.



## AVERTISSEMENT:

**En plus des instructions et des précautions fournies avec votre trampoline, les précautions suivantes doivent être observées lors de l'utilisation de l'enceinte de sécurité du trampoline.**

- NE PAS tenter ou permettre des sauts périlleux sur le trampoline. Atterrir sur la tête ou le cou peut provoquer des blessures graves, une paralysie ou la mort, même en atterrissant au milieu du lit.
- Ne permettez pas la présence de plus d'une personne sur le trampoline ou à l'intérieur de l'enceinte du trampoline. L'utilisation par plus d'une personne en même temps peut entraîner des blessures graves.
- L'armature métallique de l'enceinte du trampoline est conductrice d'électricité. Les lampes, les rallonges et tout autre équipement électrique ne doivent jamais entrer en contact avec le filet.
- Inspectez le filet avant chaque utilisation. Assurez-vous que les sangles et toutes les pièces sont correctement et solidement positionnées et fixées. Serrez toute pièce desserrée. Remplacez toute pièce usée, défectueuse ou manquante.
- Portez des vêtements confortables exempts de crochets, de boutons-pression, de cordons ou de tout autre élément susceptible de s'accrocher ou de se coincer dans les mailles de l'enceinte de sécurité. Retirez vos bijoux, colliers et boucles d'oreilles.
- Ne montez et ne descendez du trampoline que par l'entrée de l'enceinte de sécurité et fermez-la solidement. Les utilisateurs, en particulier les enfants, ne doivent pas essayer d'entrer ou de sortir entre le cadre du trampoline et l'enceinte. Ils risqueraient de s'étrangler.
- Ne touchez pas et ne rebondissez pas sur les mailles de l'enceinte de sécurité lorsque vous utilisez le trampoline.
- Lisez toutes les instructions et effectuez tous les montages avant de permettre à votre enfant d'utiliser le trampoline et l'enceinte de sécurité.
- N'utilisez le trampoline et l'enceinte de sécurité que sous la surveillance d'un adulte mature et compétent.

**Pour un usage récréatif UNIQUEMENT. Ne pas utiliser à des fins professionnelles.  
La limite de poids pour l'utilisateur du trampoline et de l'enceinte est de 50kg.**

## **AVERTISSEMENT:** **Instructions de Montage et d'Installation**

- **ASSEMBLAGE PAR UN ADULTE REQUIS** - Contient des petites pièces, des pointes et des bords tranchants.
- **RISQUE D'ÉTOUFFEMENT** - Petites pièces - Ne convient pas aux enfants de moins de 3 ans.
- À utiliser par les enfants âgés de trois (3) à dix (10) ans **SEULEMENT**.
- Le poids maximum de l'utilisateur est de 50kg.
- Un dégagement adéquat est essentiel. Un minimum de 8 pieds à partir du niveau du sol est recommandé. Prévoyez un dégagement pour les fils électriques, les branches d'arbres et autres dangers possibles.
- Un dégagement latéral est essentiel. Placez le trampoline et son enceinte loin des murs, structures, enceintes et autres aires de jeu. Maintenez un espace libre sur tous les côtés du trampoline et de son enceinte. Il est recommandé de laisser un espace d'au moins deux mètres à partir du bord du cadre.
- N'installez jamais le trampoline en cas de forte pluie, de vent ou de tempête, en particulier en cas d'orage. Il est recommandé de démonter et de ranger le trampoline par mauvais temps.
- Placez le trampoline et son enceinte sur une surface plane avant de les utiliser.
- Sécurisez le trampoline et son enceinte pour éviter toute utilisation non autorisée ou non supervisée.
- Retirez tout obstacle sous le trampoline et son enceinte avant de les utiliser.
- Le propriétaire et les personnes chargées de la surveillance du trampoline et de son enceinte sont responsables de sensibiliser tous les utilisateurs aux pratiques spécifiées dans les " Instructions d'utilisation ".

## **AVERTISSEMENT:** **Instructions d'Entretien et de Maintenance**

Inspectez le trampoline et son enceinte avant chaque utilisation et remplacez toute pièce usée, défectueuse ou manquante.

Les conditions suivantes peuvent représenter des dangers potentiels:

1. Rembourrage du cadre, barrière ou système de support de l'enceinte (cadre) et capuchons de poteaux manquants, mal positionnés ou mal fixés.
2. Perforations, effilochages, déchirures ou trous dans le rembourrage du lit ou du cadre, le rembourrage de la barrière ou du système de support de l'enceinte (cadre) et les capuchons des poteaux..
3. Détérioration des coutures ou du tissu du rembourrage du lit ou du cadre, du rembourrage de la barrière ou du système de soutien de l'enceinte (cadre) et des capuchons des poteaux.
4. Cordons de suspension rompus.
5. Cadre ou système de support plié ou cassé.
6. Barrière ou un lit affaissé.
7. Des protubérances pointues sur le cadre ou le système de suspension, ou
8. Des éléments de fixation desserrés ou manquants. Assurez-vous toujours que les pièces sont bien fixées avant chaque utilisation.



## **AVERTISSEMENT:** **Instructions d'utilisation**

- NE PAS essayer ou permettre de faire des sauts périlleux sur le trampoline. Atterrir sur la tête ou le cou peut provoquer des blessures graves, une paralysie ou la mort, même en atterrissant au milieu du lit.
- Ne pas permettre la présence de plus d'une personne sur le trampoline ou à l'intérieur de l'enceinte du trampoline. L'utilisation par plus d'une personne en même temps peut entraîner des blessures graves.
- Éloignez les objets qui pourraient gêner la personne qui joue dans le trampoline. Maintenez une zone dégagée autour du trampoline. Ne laissez pas d'objets étrangers ou d'animaux sur le trampoline.
- Les enfants ne doivent utiliser le trampoline et l'enceinte du trampoline que sous la surveillance d'un adulte mature et compétent.
- Le trampoline doit être utilisé par des enfants âgés de trois (3) à dix (10) ans.
- Le trampoline doit être assemblé dans son intégralité avant chaque utilisation. Tous les cordons de suspension doivent être fixés au cadre. Le couvercle du cadre doit être correctement positionné à tout moment.
- Ne jamais monter le trampoline par forte pluie, vent ou tempête, en particulier en cas d'orage. Il est recommandé de démonter et de ranger le trampoline par mauvais temps.
- Inspectez le trampoline et son enceinte avant chaque utilisation. Assurez-vous que la toile du cadre, le filet de la barrière et le rembourrage de soutien de l'enceinte sont correctement et solidement positionnés. Remplacez toute pièce usée, défectueuse ou manquante.
- L'armature métallique du trampoline et de son enceinte est conductrice d'électricité. Les lampes, les rallonges et tout autre équipement électrique ne doivent jamais entrer en contact avec le trampoline ou la toile du trampoline.
- Portez des vêtements confortables. Retirez vos bijoux, colliers et boucles d'oreilles. Portez des vêtements dépourvus de cordons, de crochets, de boucles ou de tout autre élément qui pourrait se prendre dans les mailles de la barrière.
- Entrez et sortez de l'enceinte uniquement par la porte de l'enceinte ou l'ouverture de la barrière prévue à cet effet. Il est dangereux de sauter du trampoline au sol ou à la porte lorsqu'on en descend, ou de sauter sur le trampoline lorsqu'on y monte. N'utilisez pas le trampoline comme tremplin vers d'autres objets.
- Arrêtez le rebond en vexant les genoux lorsque les pieds entrent en contact avec le lit du trampoline. Formez-vous à cette technique avant d'en essayer d'autres.
- Évitez de rebondir trop haut. Restez bas jusqu'à ce que vous puissiez contrôler le rebond et atterrir plusieurs fois au centre du trampoline. Le contrôle est plus important que la hauteur.
- Tout en gardant la tête droite, dirigez les yeux vers le périmètre du trampoline. Cela aidera à contrôler le rebond.
- Évitez de rebondir lorsque vous êtes fatigué. Faites des virages courts.
- Fixez correctement le trampoline lorsque vous ne l'utilisez pas. Protégez-le contre toute utilisation non autorisée.
- Le surveillant adulte ne doit pas être sous l'influence de l'alcool ou de drogues.
- Pour toute information complémentaire concernant l'équipement de trampoline, contactez le fabricant.
- Pour toute information concernant l'entraînement, contactez un instructeur de trampoline certifié.
- Ne rebondissez que lorsque la surface du lit est sèche. Le vent ou le mouvement de l'air doit être calme à doux. Le trampoline ne doit pas être utilisé en cas de rafales ou de vents violents. Le trampoline doit être démonté ou rangé à l'intérieur pendant ces types de conditions météorologiques.
- Lisez toutes les instructions avant d'utiliser le trampoline et l'enceinte du trampoline. Les avertissements et les instructions concernant le soin, l'entretien et l'utilisation de ce trampoline et de son abri sont inclus afin de promouvoir une utilisation sûre et agréable de cet équipement.
- Ne pas rebondir intentionnellement sur la barrière.
- Ne pas essayer de sauter par-dessus la barrière ou de ramper sous la barrière.
- Ne pas se suspendre, donner des coups de pied, couper ou grimper sur la barrière.
- Ne fixez rien à la barrière qui ne soit pas un accessoire approuvé par le fabricant ou une partie du système de l'enceinte.

## Sécurité du trampoline et prévention des accidents

Comme dans la plupart des sports de loisirs, des accidents peuvent survenir aux participants. Cette section couvre les accidents les plus courants. Les responsabilités des personnes chargées de la surveillance et des personnes qui effectuent les sauts en matière de prévention des accidents sont également décrites. Les raisons pour lesquelles des accidents se produisent sont les suivantes:

- Tentative de saut périlleux. Une chute sur la tête ou le cou peut provoquer des blessures graves, une paralysie ou la mort, même en atterrissant au milieu du lit.
- Plus d'une personne sur le trampoline. L'utilisation par plus d'une personne et en même temps peut entraîner des blessures graves.
- Montage et démontage incorrects. Sortie et entrée du trampoline en rampant avec précaution. Ne pas sauter sur le sol pour descendre du trampoline. Ne sautez pas sur le trampoline depuis un toit ou un autre objet. Les jeunes enfants peuvent avoir besoin d'aide pour monter ou descendre du trampoline. Ne pas grimper sur le système de suspension.
- Se heurter au cadre. Restez au centre du trampoline lorsque vous sautez. Vous risquez de vous blesser en heurtant le cadre si vous perdez le contrôle. Assurez-vous que le couvercle du cadre est toujours en place et que les coussins sont bien fixés. Ne sautez pas directement sur le coussin du cadre.
- Perte de contrôle. Un sauteur qui perd le contrôle accroît les risques de blessures. Veillez à vous familiariser avec les sauts de base avant d'effectuer des sauts plus difficiles. Les sauts doivent être maîtrisés et exécutés à plusieurs reprises avant de passer au niveau supérieur. Pour reprendre le contrôle et arrêter votre saut, pliez fortement les genoux à l'atterrissage.
- L'adulte encadreur ne doit pas être sous l'emprise de l'alcool ou de drogues.
- Objets étrangers. Veuillez vous assurer qu'il n'y a rien de pointu sous et autour du trampoline. Le fait de heurter des objets sous le trampoline peut provoquer des blessures. Sauter avec un objet étranger peut également accroître les risques de blessure. Assurez-vous qu'il y a un dégagement adéquat de 2,5 mètres au-dessus et de 1,8 mètres autour du trampoline. Faites attention aux câbles aériens, aux branches d'arbres, etc.
- Mauvais temps. N'utilisez pas votre trampoline en cas de rafales de vent ou de mauvais temps. Le lit ne doit pas être mouillé.
- Mauvais entretien du trampoline. Veillez à inspecter le trampoline avant chaque utilisation. Vérifiez qu'il n'y a pas de perforations sur la toile, de bavures sur le cadre, de coutures défectueuses ou d'élastiques lâches. Si une pièce de rechange est nécessaire, veuillez appeler notre hotline pour vous en procurer une.
- Accès illimité. Le trampoline doit être couvert ou démonté lorsqu'il n'est pas utilisé. Cela empêchera les jeunes enfants non surveillés d'utiliser le trampoline.

## Rôle du propriétaire et de la personne chargée de la surveillance dans la prévention des blessures et Responsabilités

Il ruolo del supervisore è assicurarsi che gli utenti conoscano tutte le regole di sicurezza e apprendano i rimbalzi di base. Devono far rispettare tutte le regole di sicurezza e le avvertenze nel manuale, nella struttura e nelle etichette. Quando un supervisore non è disponibile, il trampolino deve essere smontato o coperto per limitare l'accesso. È responsabilità del supervisore che i cartelli con i suggerimenti per la sicurezza del trampolino e per la sicurezza della rete di sicurezza vengano esaminati e tutti i saltatori siano informati sui suggerimenti.

## Rôle de l'utilisateur dans la prévention des blessures et responsabilités

Le sauteur doit apprendre tous les rebonds fondamentaux de base avant de tenter des rebonds plus difficiles. Les rebonds bas et contrôlés sont un bon début avant d'apprendre les positions d'atterrissage et les combinaisons de base. Les sauteurs doivent comprendre que le contrôle est la clé d'un saut réussi.










Il est important de suivre les conseils de la pancarte.

Contactez un instructeur de trampoline certifié pour plus d'informations.

## Liste des pièces

N° de Référence	No de Pièce	Description	Unité
1	TR01	Cadre de trampoline	6
2	TR02	Pieds de trampoline	6
3	TR03	Tapis de saut	1
4	TR04	Ressorts élastiques	36
5	TR05	Poteau de filet supérieur	6
6	TR06	Bas du filet	6
7	TR07	Filet	1
8	TR08	Vis	6
9	TR09	Outil 1	1
10	TR15	Manuel	1

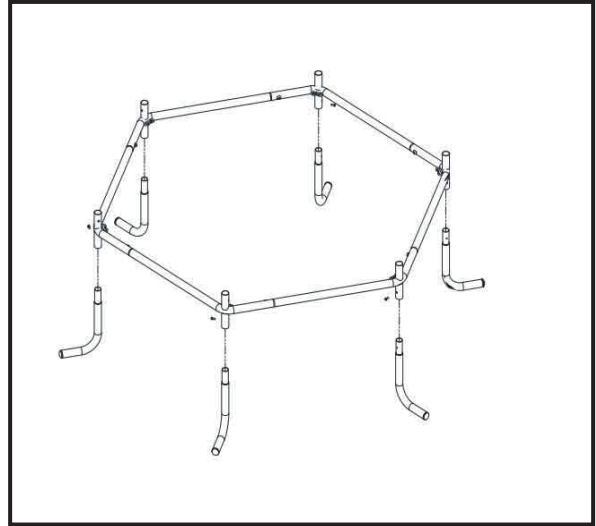
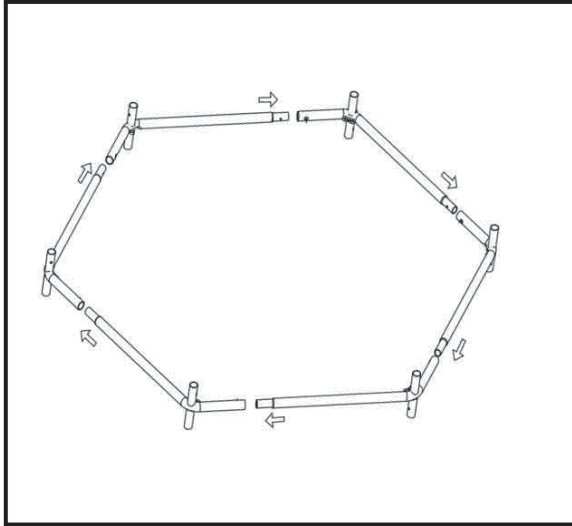
  

 TR01 x 6pcs	 TR02 x 6pcs	 TR03 x 1pcs
 TR04 x 36pcs	 TR05 x 6 pcs	 TR06 x 1pcs
 TR07 x 1pcs	 TR08 x 1pcs	 TR09x 1pcs



## Instructions de Montage

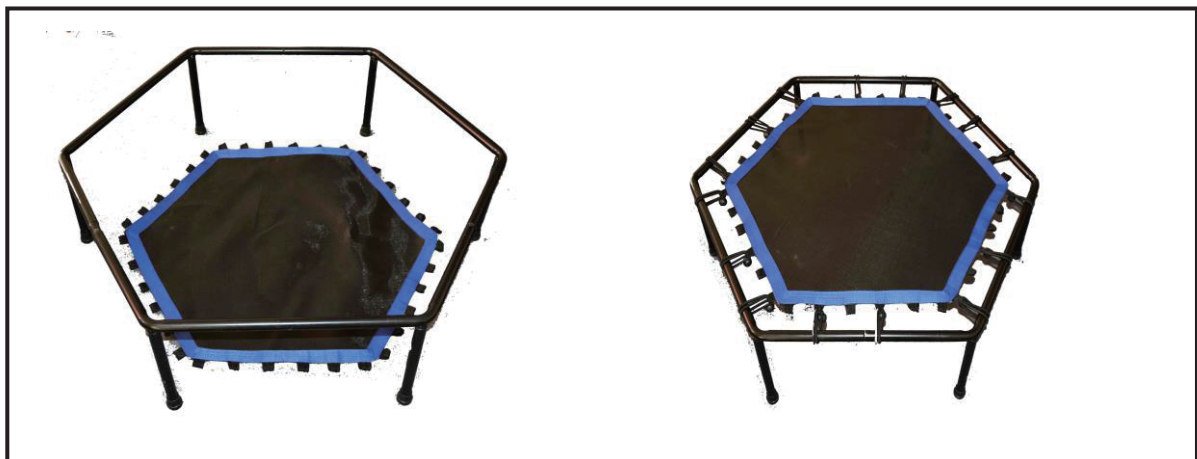
1. Posez toutes les pièces du trampoline sur le sol, connectez les 6 pièces du cadre du trampoline.



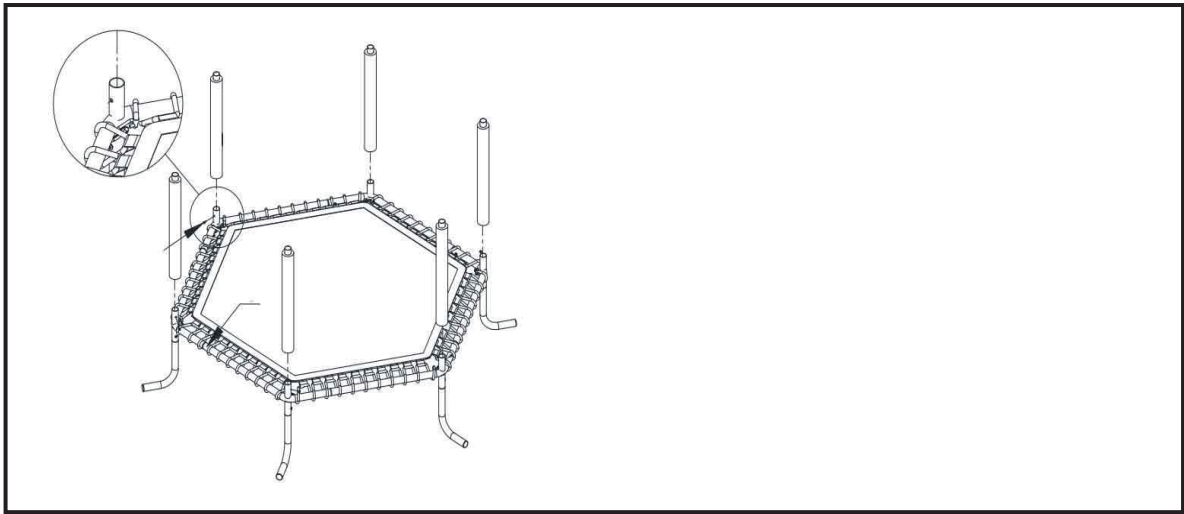
2. Installez le tube de la jambe en "L" dans le support principal à tour de rôle et serrez les vis avec un outil.

3. Ouvrez le cadre du trampoline et retirez le tapis de saut au milieu du cadre, commencez à installer les ressorts élastiques. Installez deux ressorts élastiques sur deux côtés du cadre, installez les ressorts élastiques sur les deux autres côtés du cadre et continuez à installer les autres cordes comme indiqué. (Attention: L'installation du tapis de saut doit être basée sur les instructions de montage ci-dessous).

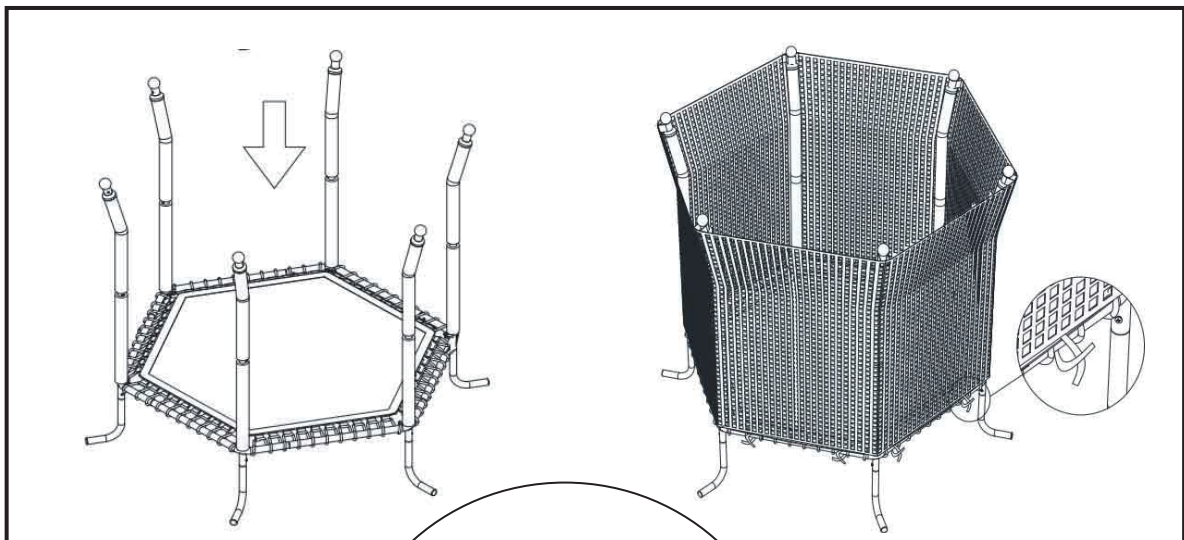
Note: Veuillez porter des gants lorsque vous installez les ressorts élastiques.



4. Insérez le poteau de filet supérieur et le poteau de filet inférieur dans le cadre principal séparément comme indiqué.



5. Fixez le filet du haut vers le bas au cadre principal avec la boucle de fixation du filet sur la tête de balle et attachez l'élastique du bas au tuyau du bas.



## **US**

If you have any questions, please contact our customer care center.  
Our contact details are below:



001-877-644-9366



customerservice@aosom.com

Imported by Aosom LLC  
27150 SW Kinsman Rd Wilsonville, OR 97070 USA  
MADE IN CHINA

## **CA**

If you have any questions, please contact our customer care center.  
Our contact details are below:

Si vous avez la moindre question, veuillez contacter notre centre d'assistance à la clientèle.  
Nos coordonnées sont les suivantes:



416-792-6088



customerservice@aosom.ca

Imported by Aosom Canada Inc.  
7270 Woodbine Avenue, Unit 307, Markham, Ontario Canada L3R 4B9  
MADE IN CHINA

Importé par Aosom Canada Inc.  
7270 Woodbine Avenue, unité 307, Markham, Ontario Canada L3R 4B9  
Fabriqué en Chine

