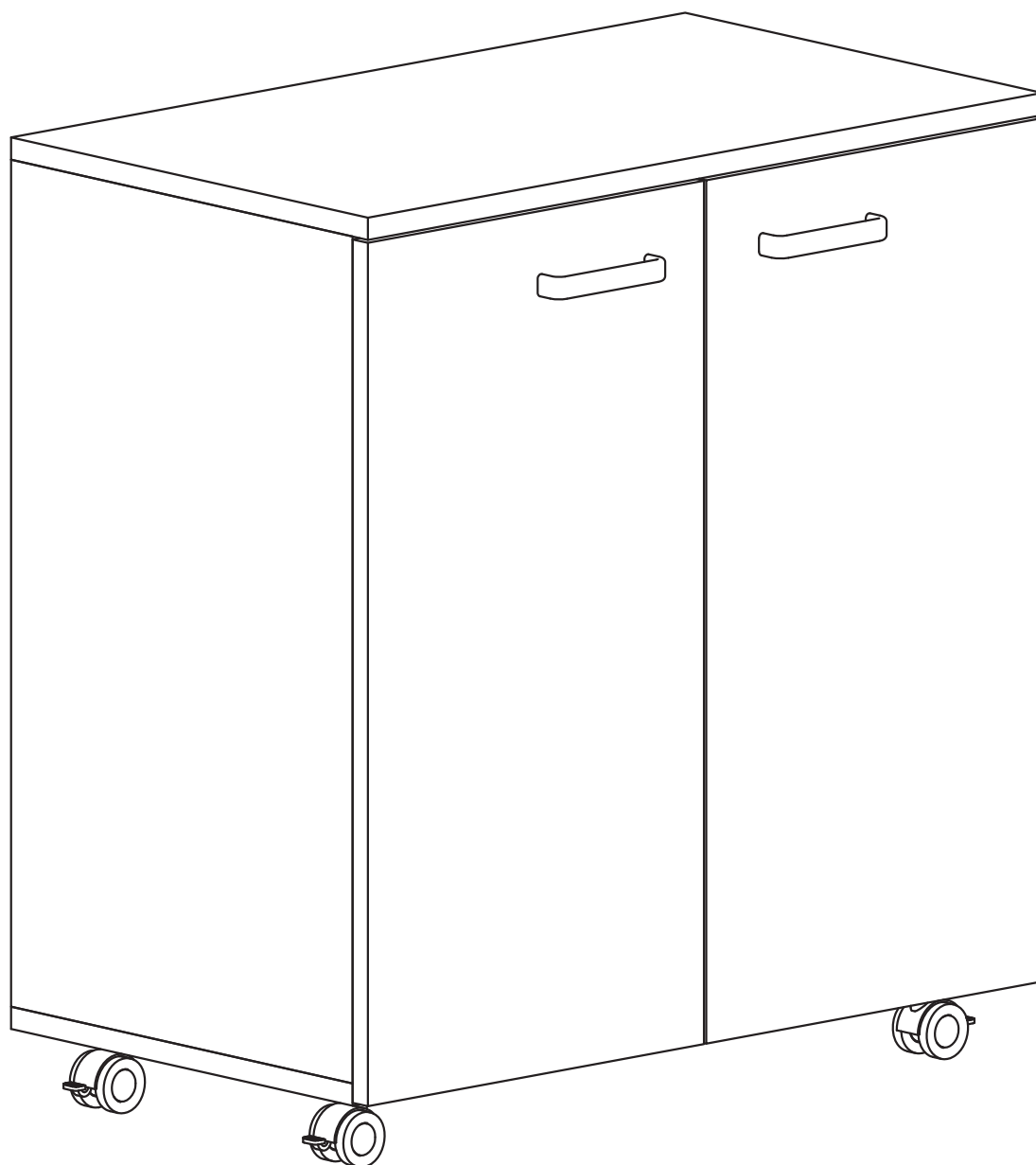
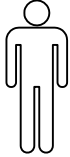


# ASSEMBLY INSTRUCTION

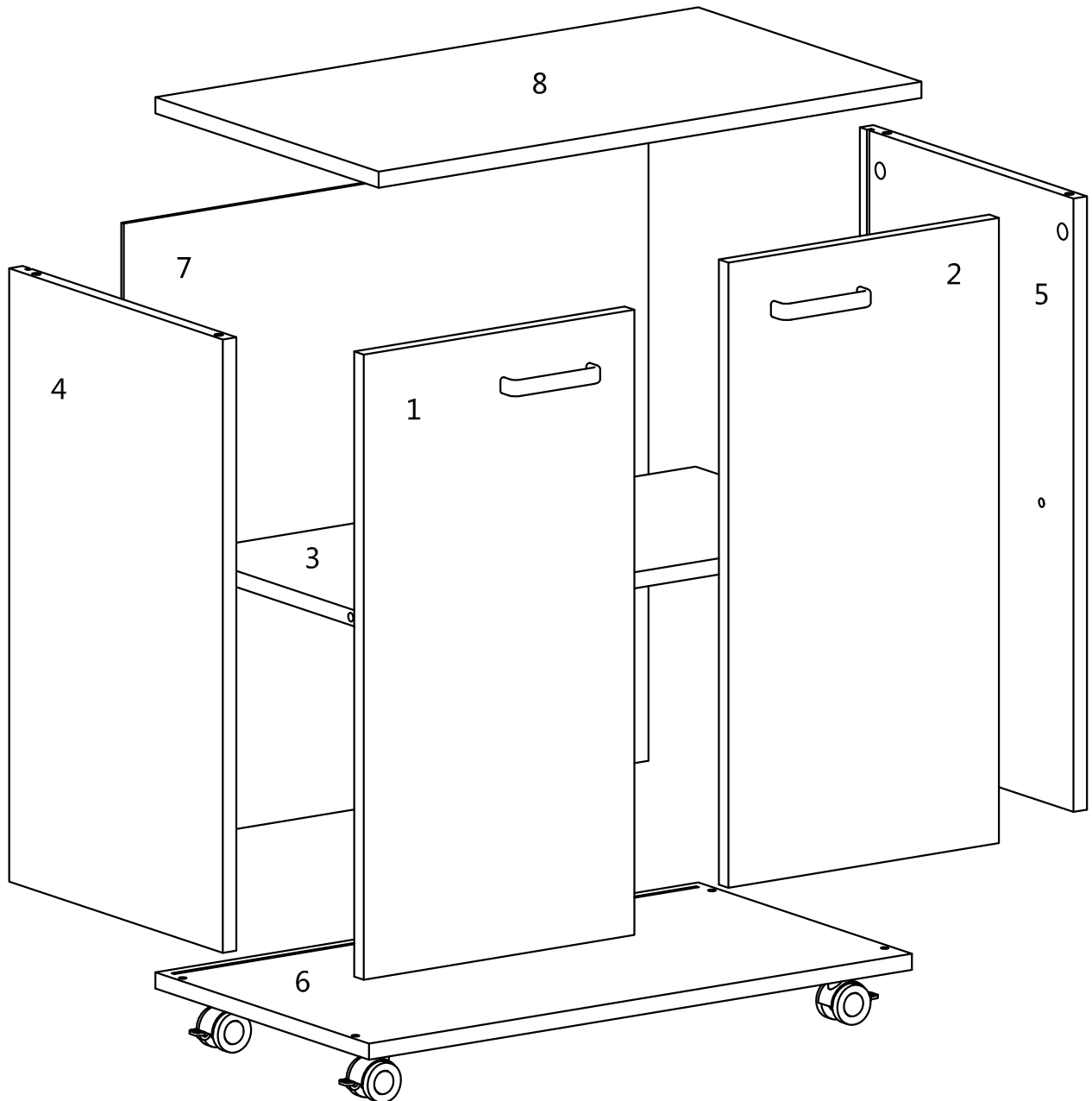


# ASSEMBLY INSTRUCTION

Installation time: 01:30:00

Participant: 

Required installation tools: 

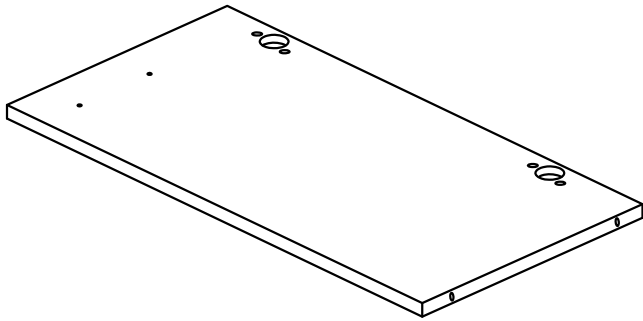


# ASSEMBLY INSTRUCTION

Components of furniture

Please check the board number and the hole on the board

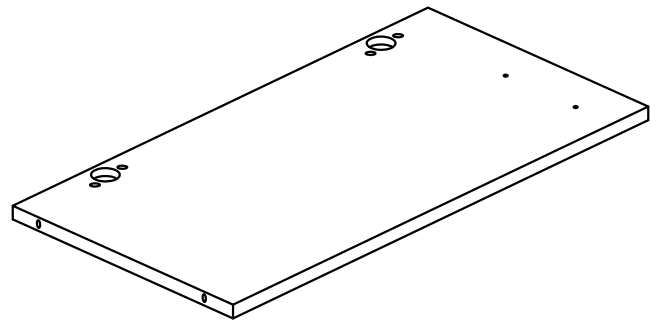
1



582\*298

1 Pc

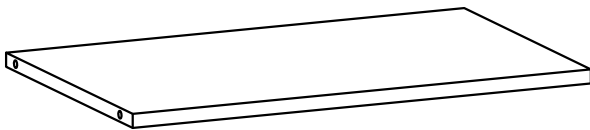
2



582\*298

1 Pc

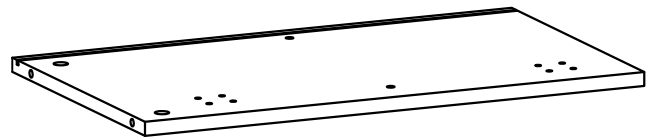
3



570\*300

1 Pc

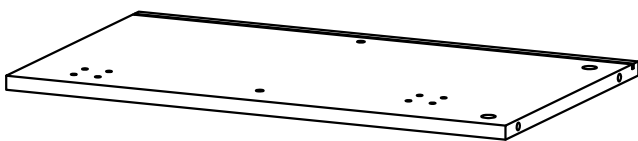
4



570\*335

1 Pc

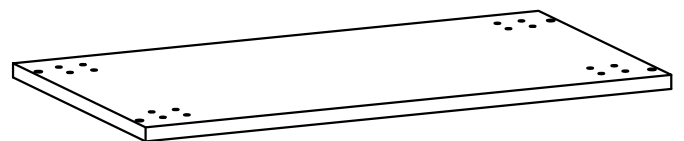
5



570\*335

1 Pc

6



600\*333

1 Pc

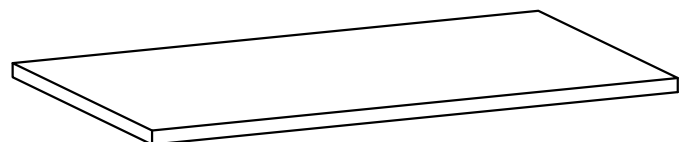
7



578\*578

1 Pc

8



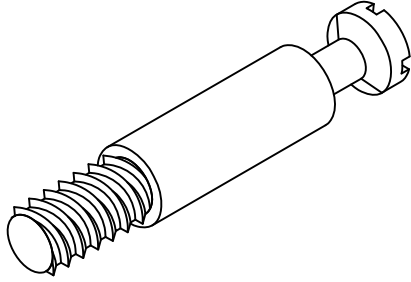
600\*350

1 Pc

# ASSEMBLY INSTRUCTION

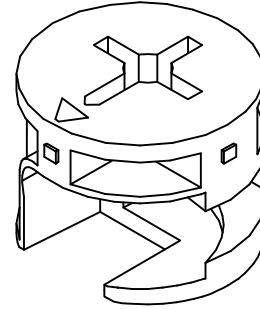
Hardware accessories:

A



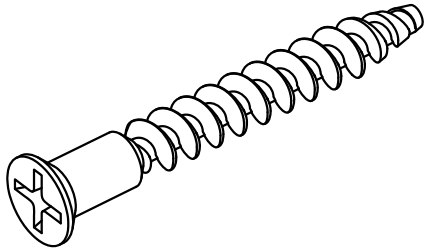
8 Pcs

B



8 Pcs

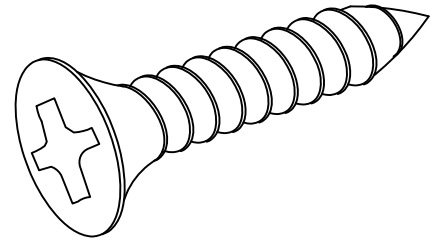
C



M7\*40

4 Pcs

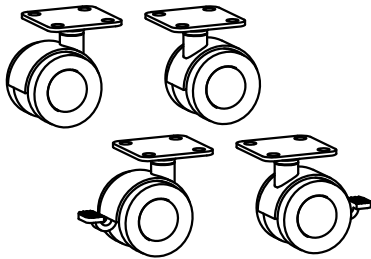
D



M3.5\*12

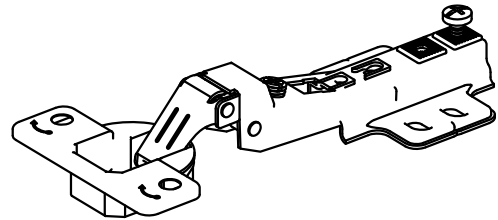
40 Pcs

E



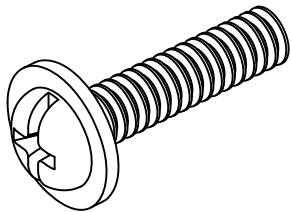
4 Pcs

F



4 Pcs

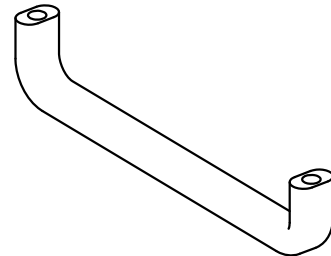
G



M4\*22

4 Pcs

H

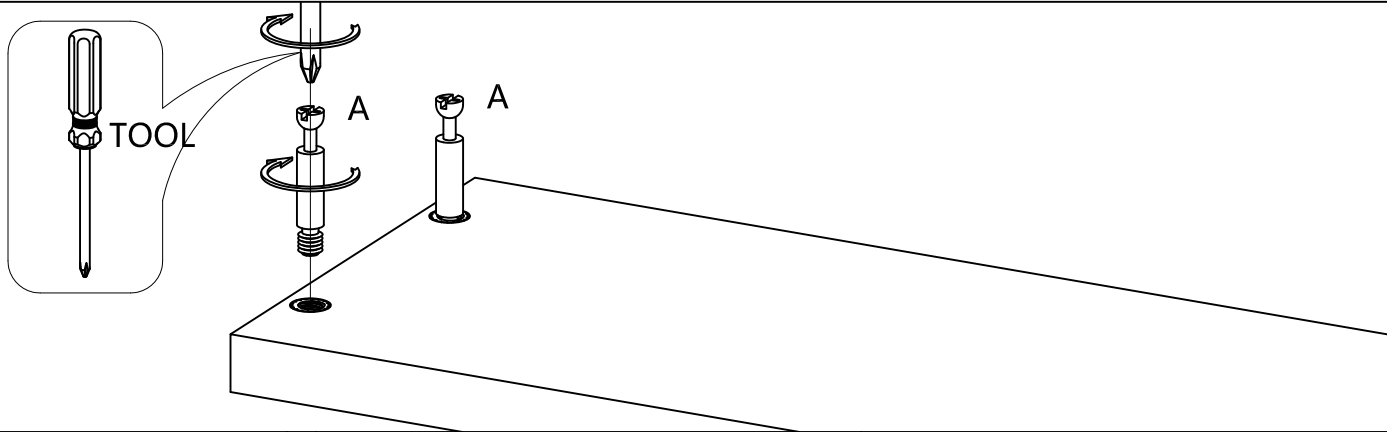


2 Pcs

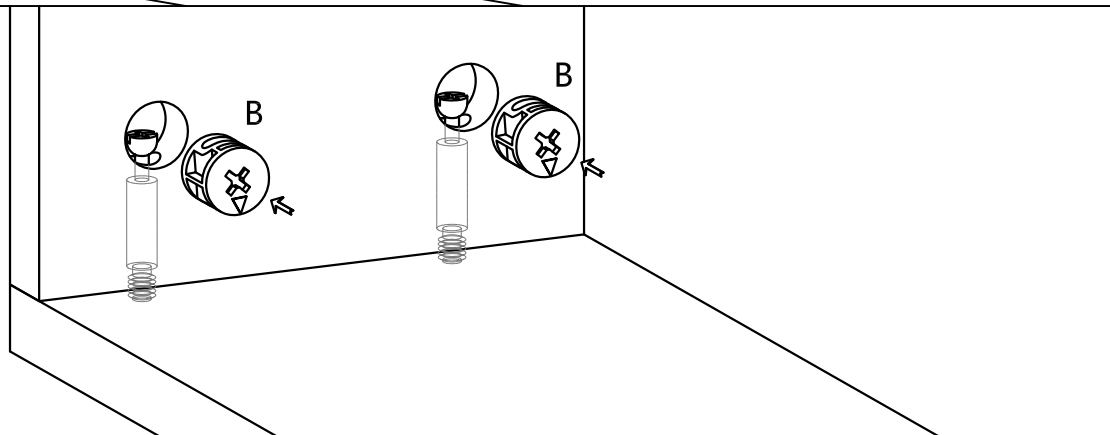
# ASSEMBLY INSTRUCTION

A&B Hardware installation example:

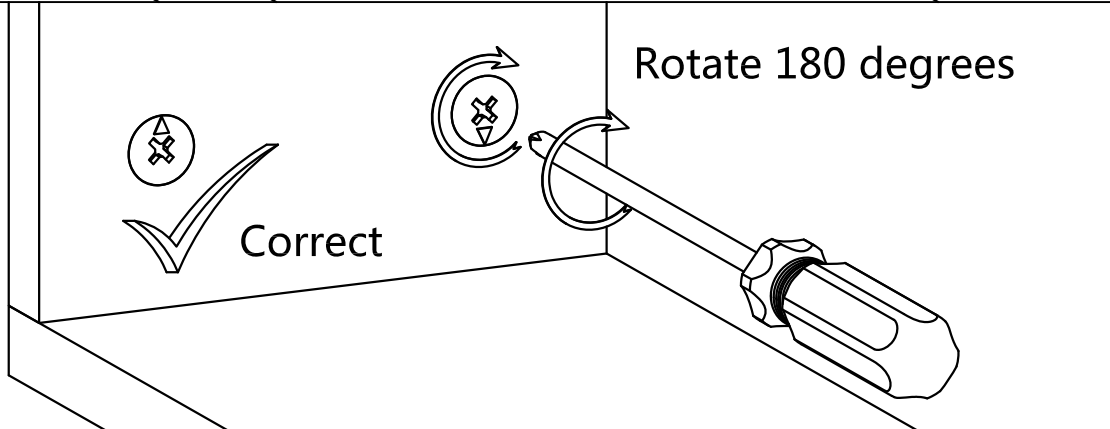
I



II



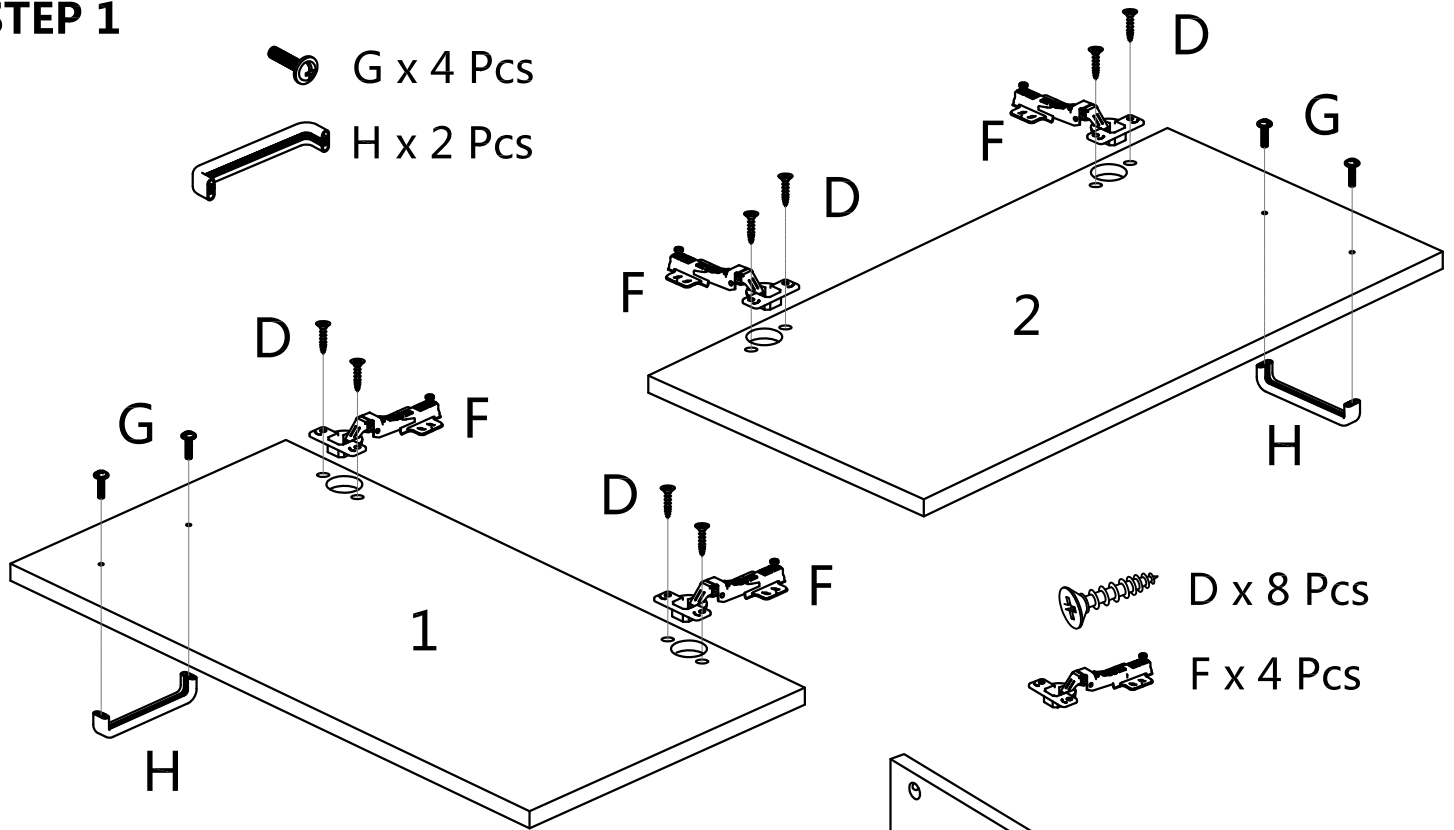
III



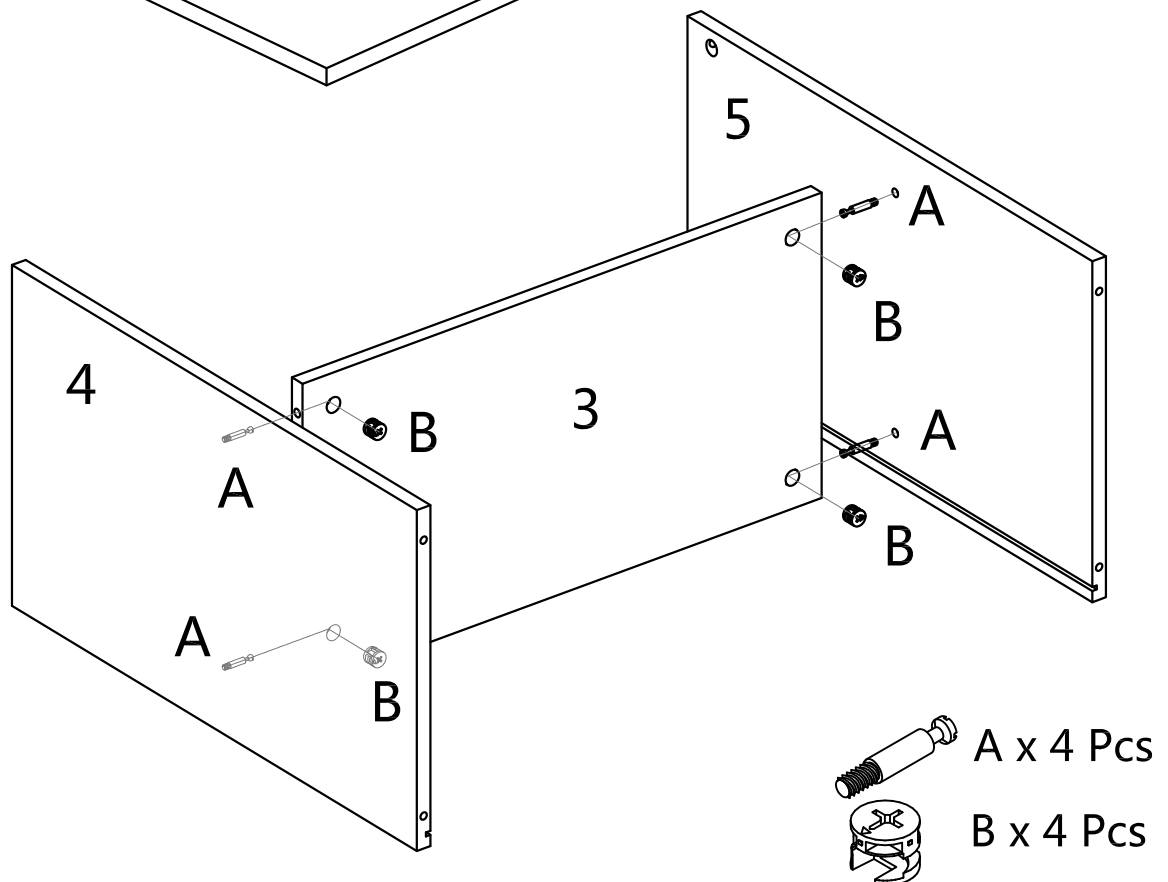
# ASSEMBLY INSTRUCTION

Start assembling furniture

## STEP 1



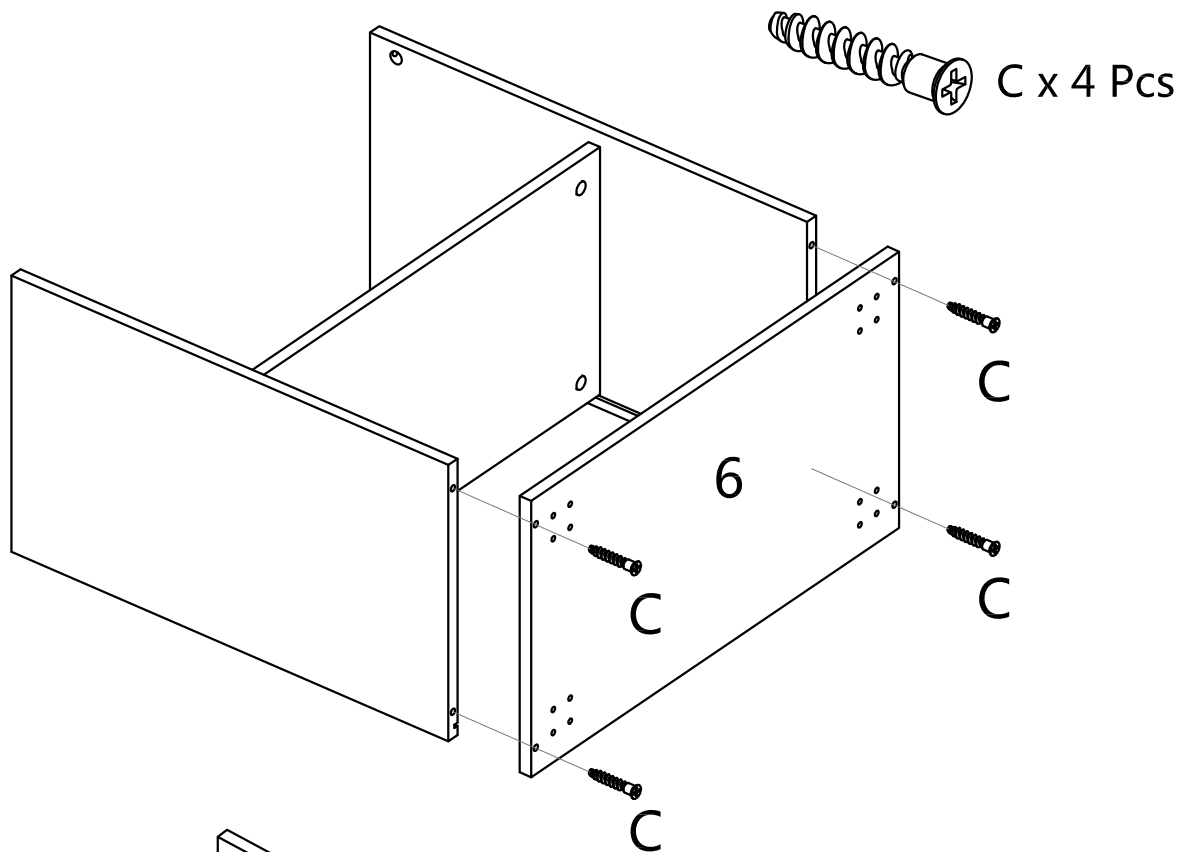
## STEP 2



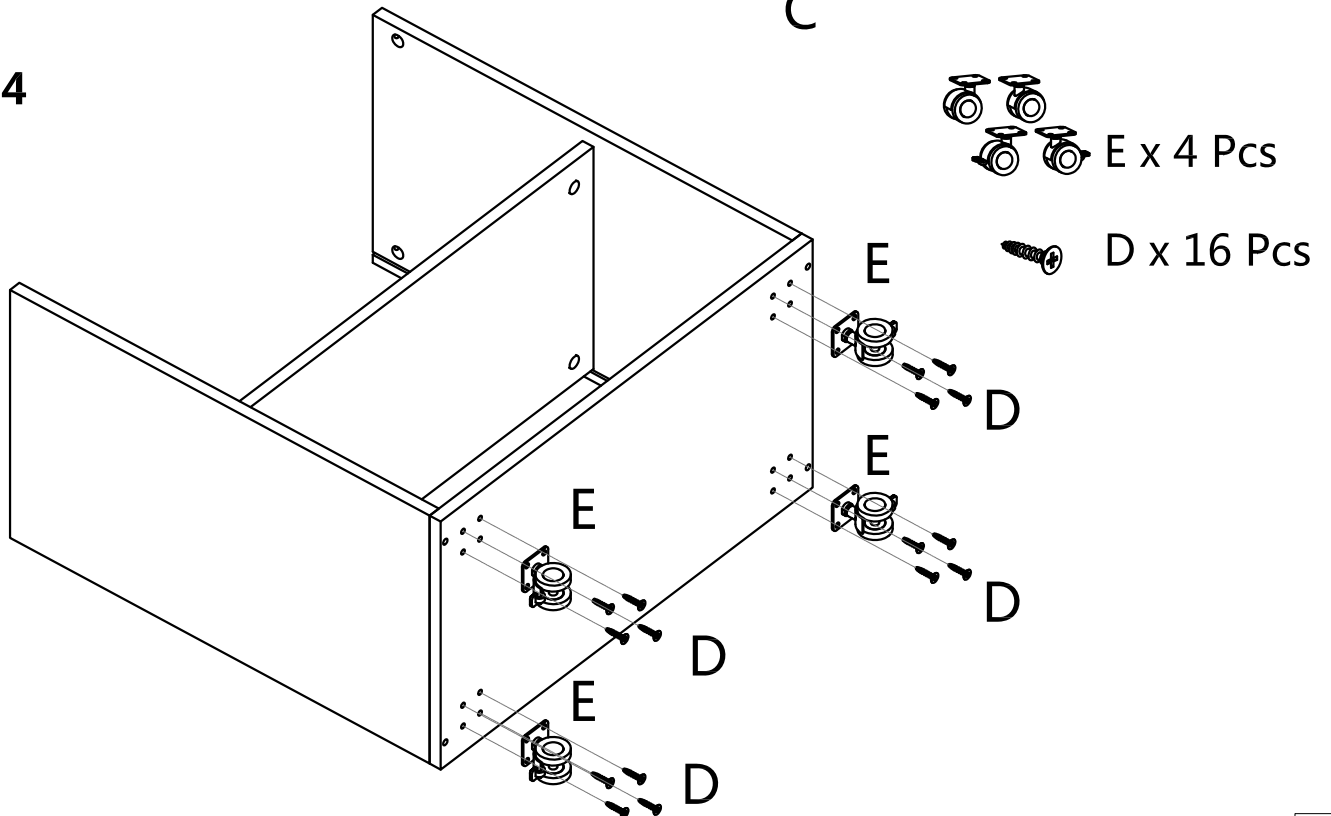
# ASSEMBLY INSTRUCTION

Start assembling furniture

## STEP 3



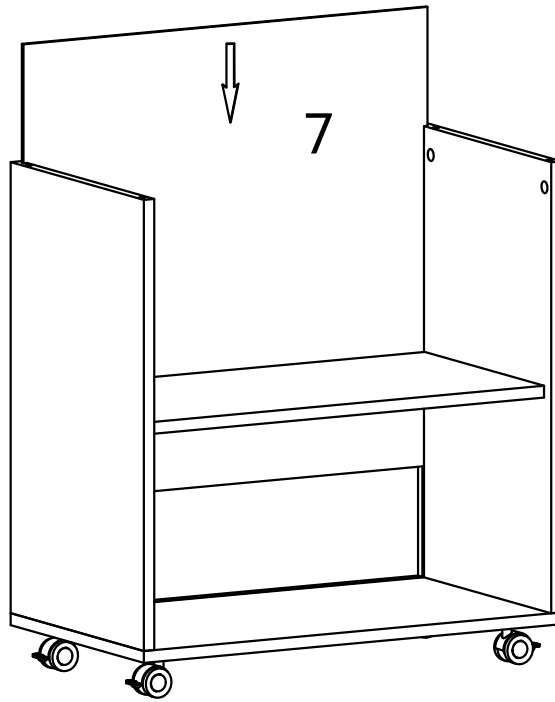
## STEP 4



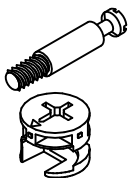
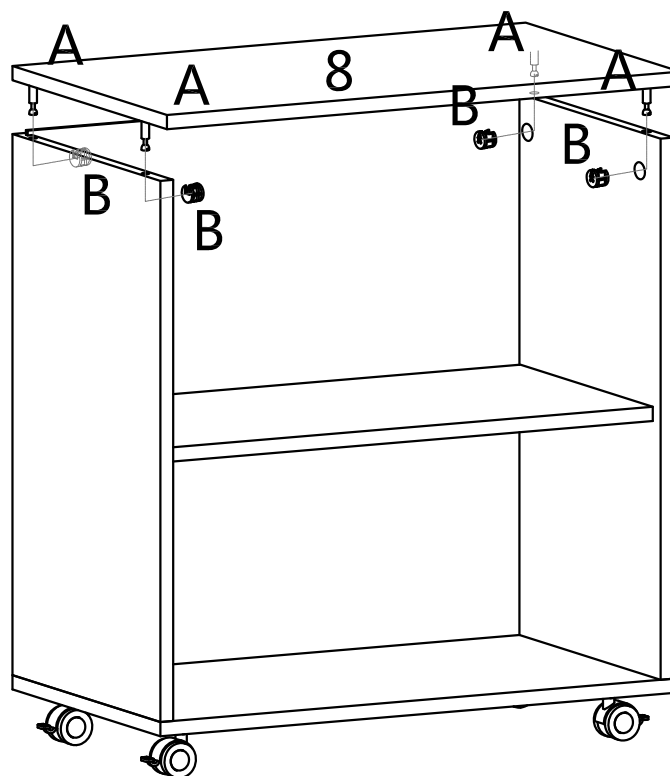
# ASSEMBLY INSTRUCTION

Start assembling furniture

## STEP 5



## STEP 6



A x 4 Pcs

B x 4 Pcs

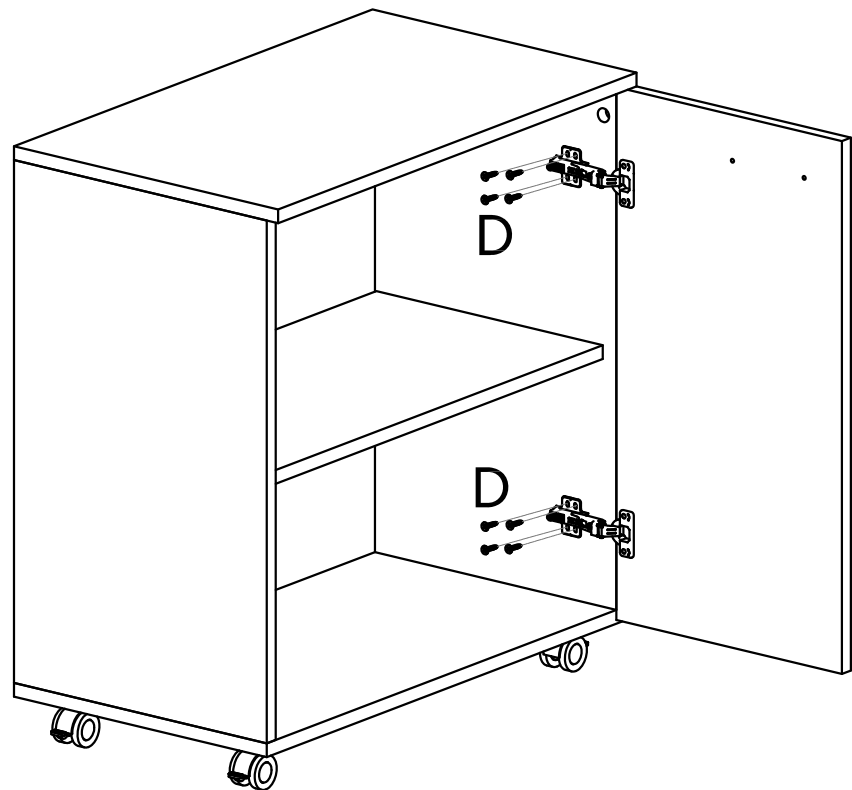
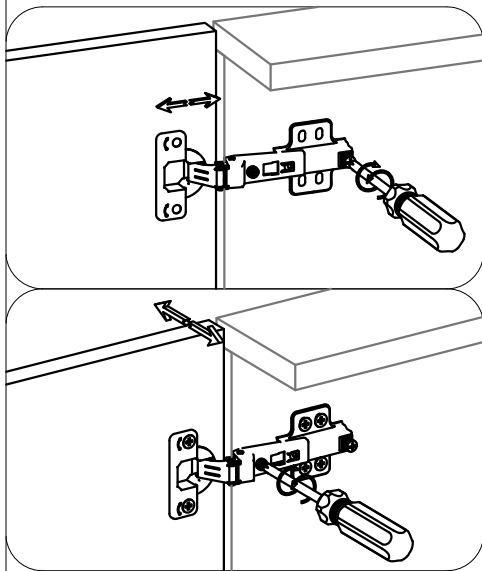


# ASSEMBLY INSTRUCTION

Start assembling furniture

## STEP 7

 D x 8 Pcs



## STEP 8

 D x 8 Pcs

