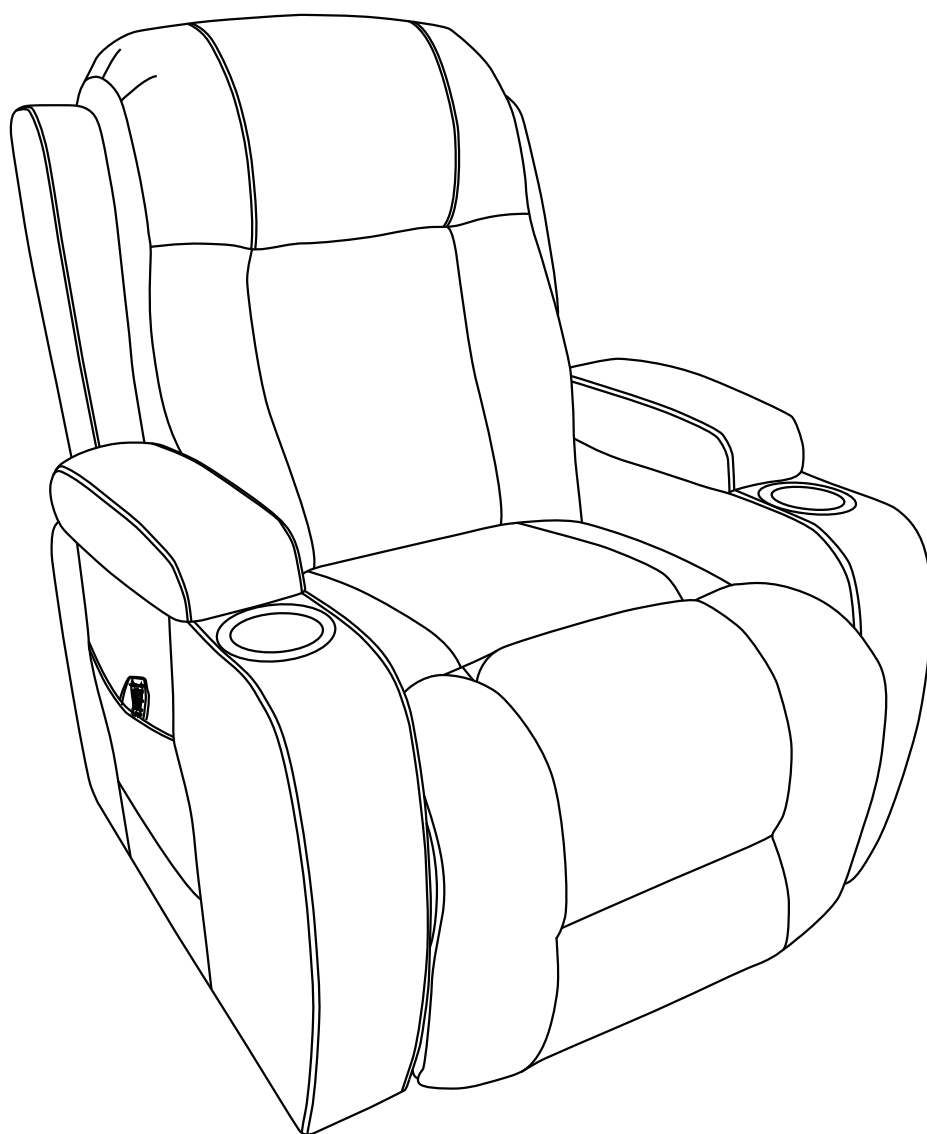




IN230200020V01_US

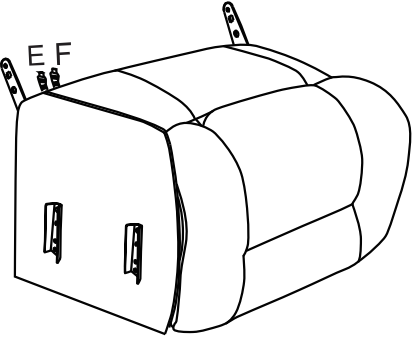

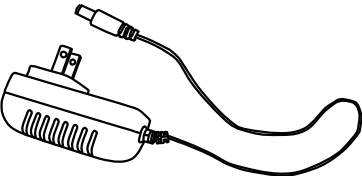
700-088V81



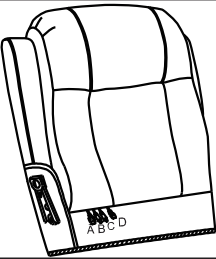
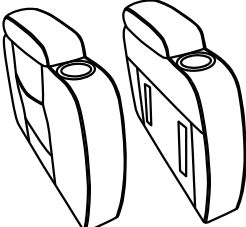
IMPORTANT, RETAIN FOR FUTURE REFERENCE: READ CAREFULLY

ASSEMBLY INSTRUCTION

BOX 1/2

PART NO.	PARTS	QTY
(2)		×1
(4)		×1
(5)		×1



BOX 2/2

PART NO.	PARTS	QTY
(1)		×1
(3)		×1L×1R

Dear customer,

Thank you for purchasing this product. So that your appliance serves you well, please read all the instructions in this user's manual. If you have any questions, please contact our customer care center.

Our contact details are below:

Country	 Phone	 Email
US	001-877-644-9366	customerservice@aosom.com



Safety Rules4

The Massage chair parts5

Functional Description of Massageer.....6

Massage Areas8

Resting and Close the Recliner8

Principal Characteristics9

Assembly Instructions10

Troubleshooting11

Safety Rules

- Never set the armchair in wet/damp areas or where dust can accumulate as these could cause an electrical fault or a mechanical dysfunction.
- Never use the massage armchair inside your home if the room temperature is over 40°C.
- Never place the armchair near a heat source (oven, chimney, etc...) or indirect sunlight.

Do Not use the armchair if:

- The armchair is wet
- Your hands are wet
- Only clean the chair with a dry cloth
- It's advisable not to use the massage armchair for more than 30 minutes at a time and that you drink 2 glasses of water after using it.

Situations where you should not use the massage armchair:

Switch the armchair's massage system off if it gets wet or seems not to be working properly, if any part of the armchair is damaged or malfunctioning, if any part of the armchair appears to be damaged or wiring is exposed, if you feel unwell or feel any pain during the massage, or if there has been a general electrical fault.

When the massage system of the armchair is not in use:

- Make sure it is switched off
- Unplug the armchair's massage system from the mains when you are not going to use it for long periods of time
- Keep the massage armchair clean and dry place.

Disassembling the massage armchair:

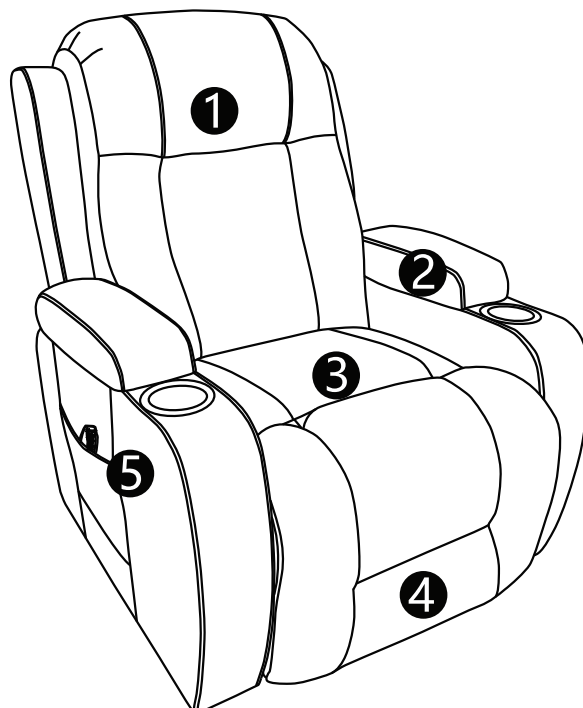
- Do not remove the back of the armchair .
- Do not try to disassemble or repair the armchair yourself.

Correct way to handle the mains plug:

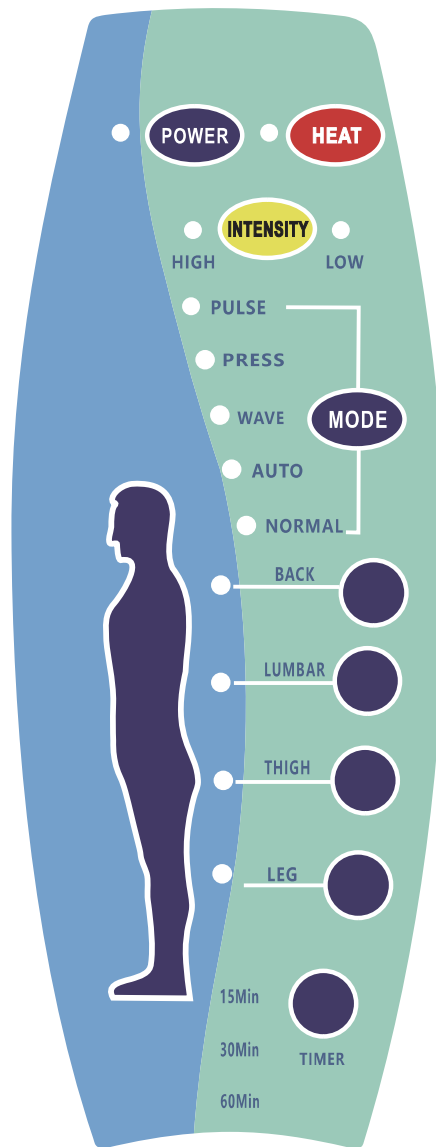
- Check that you have the right voltage.
- Never use force on the cable or plug.
- Never pull the cable with wet hands.
- When removing the plug, hold the plug itself, do not pull on the cable.
- Do not use the armchair massage system if either the cable or the plug are damaged.

The Parts forming the massage armchair:

- 1) Back
- 2) Armrests
- 3) Seat
- 4) Footrest
- 5) Control unit



Functional Description of Massager



I. Graphic presentation of Controller

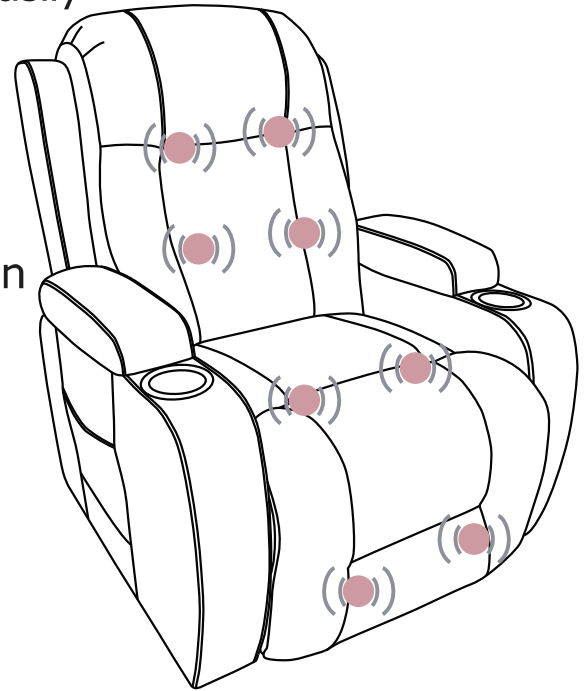
1. **POWER:** turn on/off selection key
2. **HEAT:** heating on/off key
3. **INTENSITY:** High/Low
4. **MODE:** working mode
5. **BACK:** back massage
6. **LUMBAR:** lumbar massage function
7. **THIGH:** thigh massage function selection key
8. **LEG:** leg massage function selection key
9. **TIMER:** set working time key

II. Operating Instructions

- Insert the power into the DC socket
- Press the POWER key to start the unit, when the unit will enter the first mode to run for 15min
- in the medium step, with all the corresponding indicators illuminated.
- Press the HEAT key to select the heating function ON ,Press the key again switch off the heating function.
- Press the TIMER key, the unit's control time will switch between 15min, 30min and 60min.
- Press the FUNCTION key to select different working modes (PULSE,PRESS,WAVE,AUTO,NORMAL)
- Press the INTENSITY key to select the high and low the intensity of vibration.
- Press the BACK, LUMBAR and THIGH key will to massage the different places of the body

Massage Areas

- The arm chair comes in two parts that are easily assembled and easy to clean.
- It has 1 hand control unit for controlling the massage functions.
- 8 vibratin massage points,heating function in the lumbar region and 2 levels of intensity.
- 9 different types of massage.



Resting Function&Close the Recliner

- Pull the switch inside the right armrest as shown and then recline the chair freely.
- Use your legs press hardly on the chair footrest to close the Recliner.

Principal characteristics of the armchair

1) Components:

- Back, seat, armrest, footrest, 1 control unit and the power supply.

2) Functions:

- Reclining back, extendible footrest, lumbar region heating function, massage function and elevating function.

3) Usage:

- Indoors, avoid high temperatures and wet or damp areas.

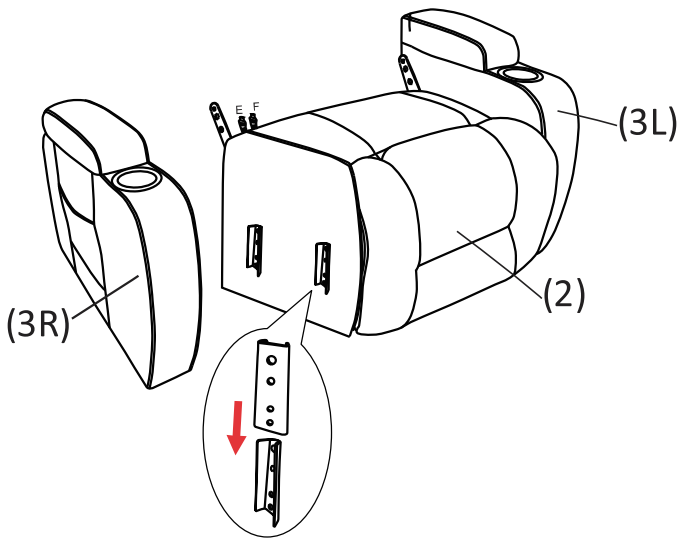
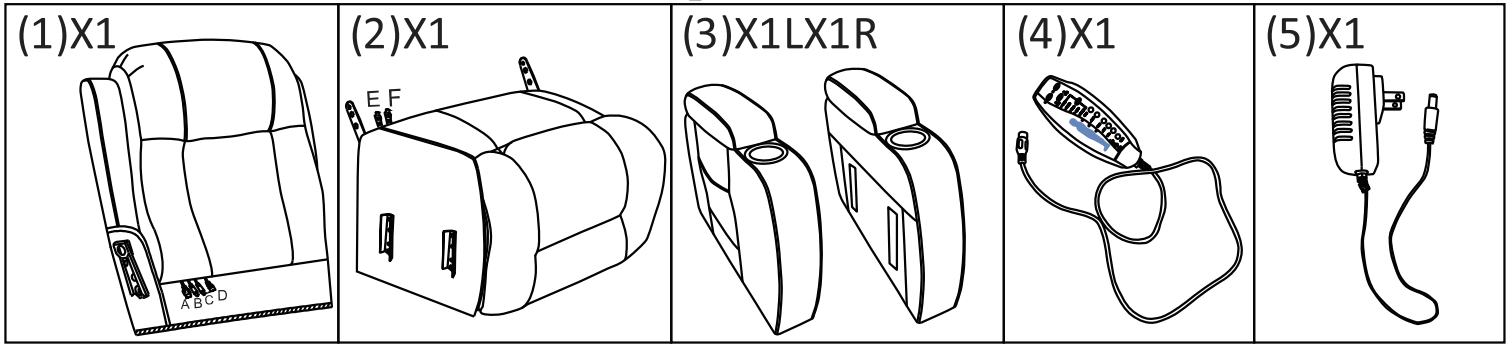
Precaution:

- Never sit on the hand control or place heavy objects on top of it
- Do not drop the hand control on the floor.
- Do not tug on the electric cable.
- Do not use the hand control with wet fingers.
- Do not press or touch the buttons with sharp objects.
- Never unplug the hand control unit without first turning the current off.
- The massage armchair should be left to rest for 30 minutes after it has been used for 30 minutes.

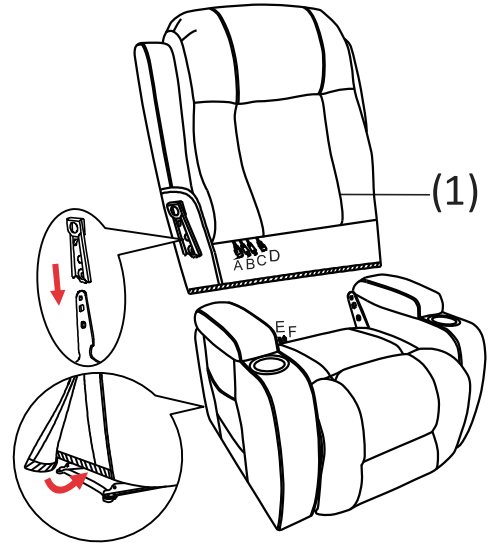
Effects and benefits of the massage:

- Alleviates muscular fatigue.

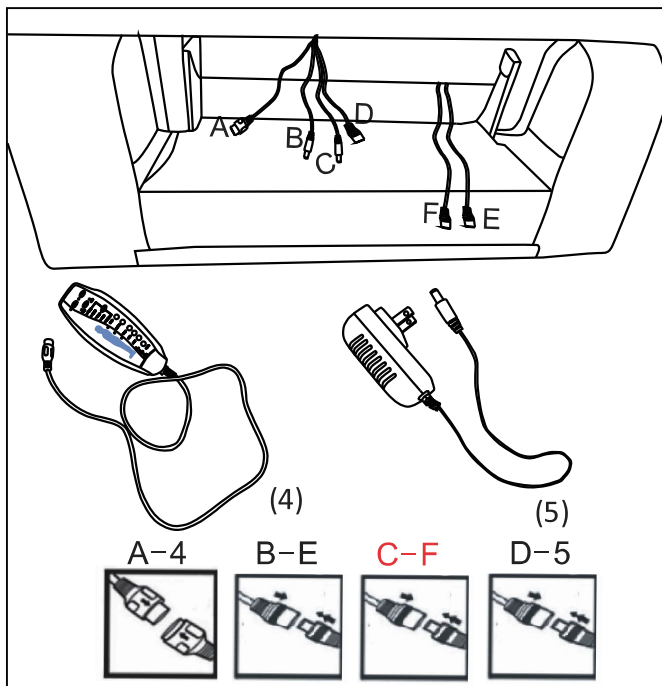
Assembly Instructions:



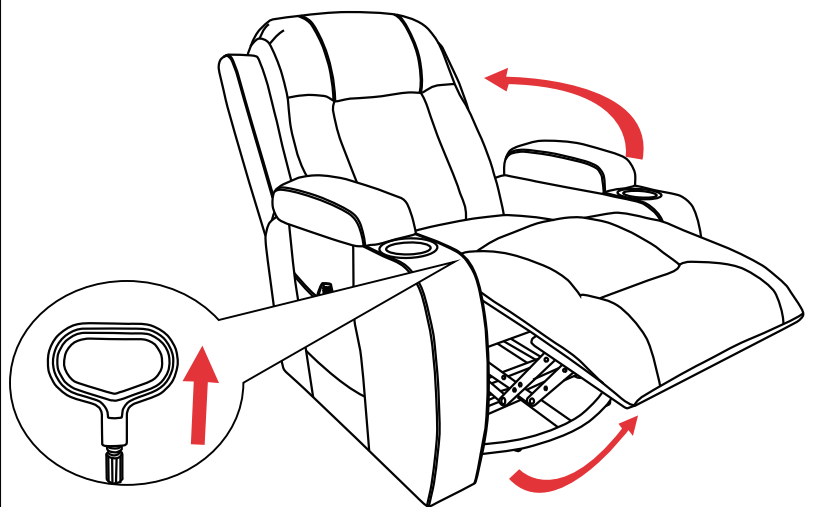
1) Position the Arms so that they fits into the seat, you will hear a “click” when they are in place.



2) Position the Back(refer to point 1) Connect Recliner supply cable pins. Fit the pins properly in the manner shown in the image. Do not force them, they only have one correct position.



3) The pins must be connected correctly.



4) Pull the switch inside the right armrest as shown and then recline the chair freely.

Troubleshooting:

If the armchair is not working, check the following chart. Make sure you turn the power off and unplug from the mains. If you have any questions, please contact us. Do not disassemble or repair any part of the armchair yourself.

PROBLEM

POSSIBLE CAUSE

There is a noise during the massage

The noise caused by the massage motors, not a fault in the armchair.

The massage armchair does not function when the button on the control unit is activated

Check that the AC plug is pushed into the mains properly. Check whether the power supply button is on.

Difficult to put the footrest back

This problem caused by high strength footrest support spring we are using for long term use. The footrest will be easier to put back after using for several time

	115V	230V	
Model:	IVP1200-1000	IVP1200-1000	
Input voltage	100-240	100-240	V
Input AC frequency	50-60	50-60	Hz
Output voltage	12	12	V
Output current	1	1	A
Output power	12	12	W
Average active efficiency	83.42	83.86	%
Efficiency at low load (10 %)	82.03	80.46	%
No-load power consumption	0.04	0.07	W