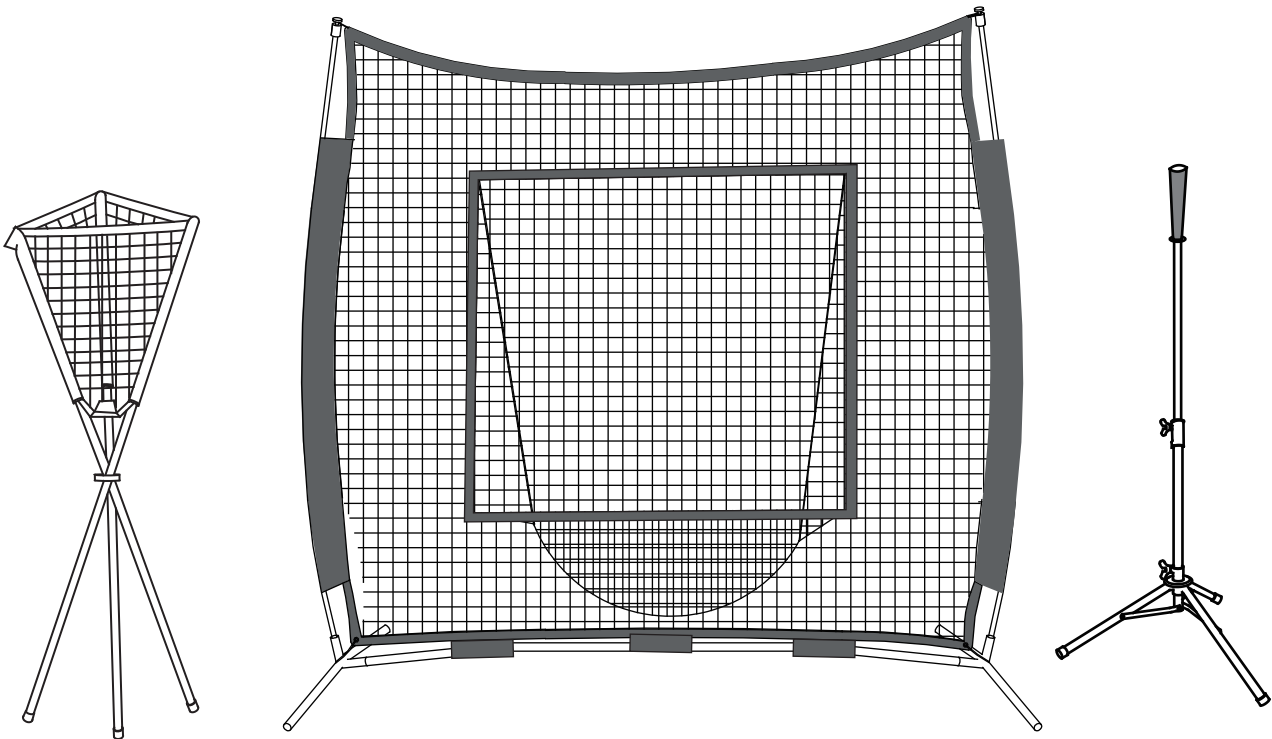



# Soozier

IN230200140V01\_US

**A60-004V01**



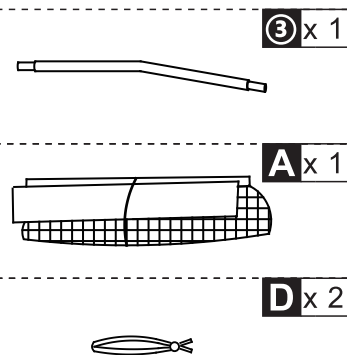
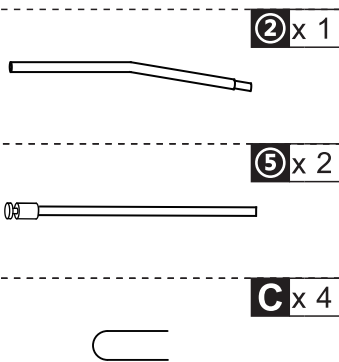
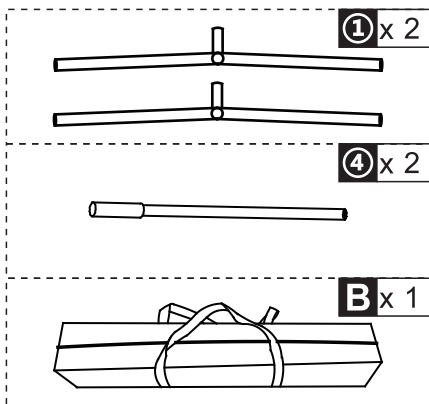
If you have any questions, please contact our customer care center.  
Our contact details are below:

 001-877-644-9366

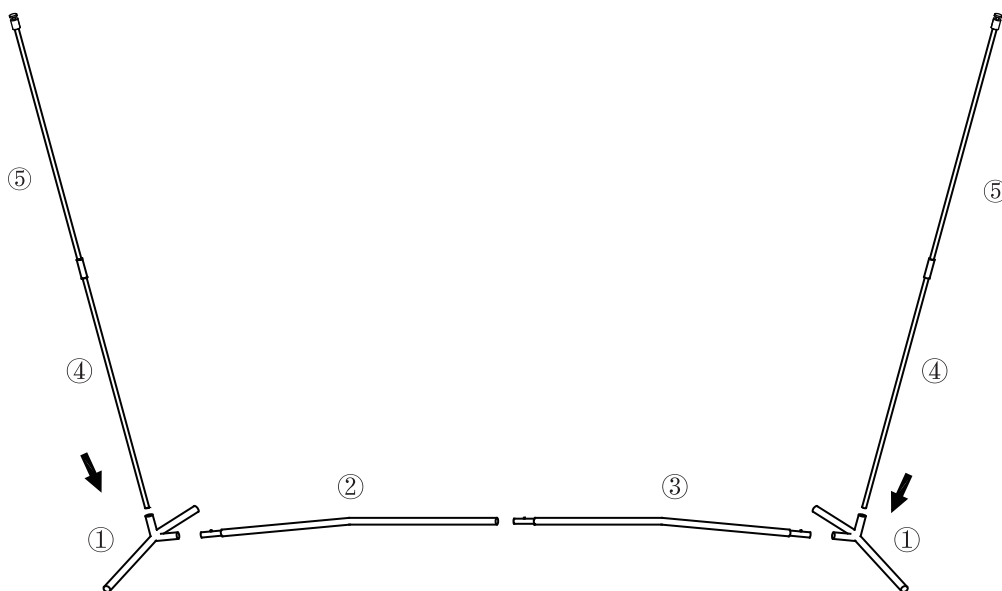
 [customerservice@aosom.com](mailto:customerservice@aosom.com)

**IMPORTANT, RETAIN FOR FUTURE REFERENCE: READ CAREFULLY**

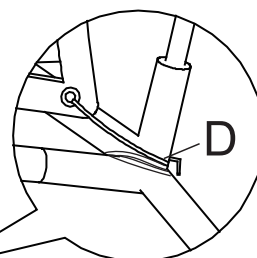
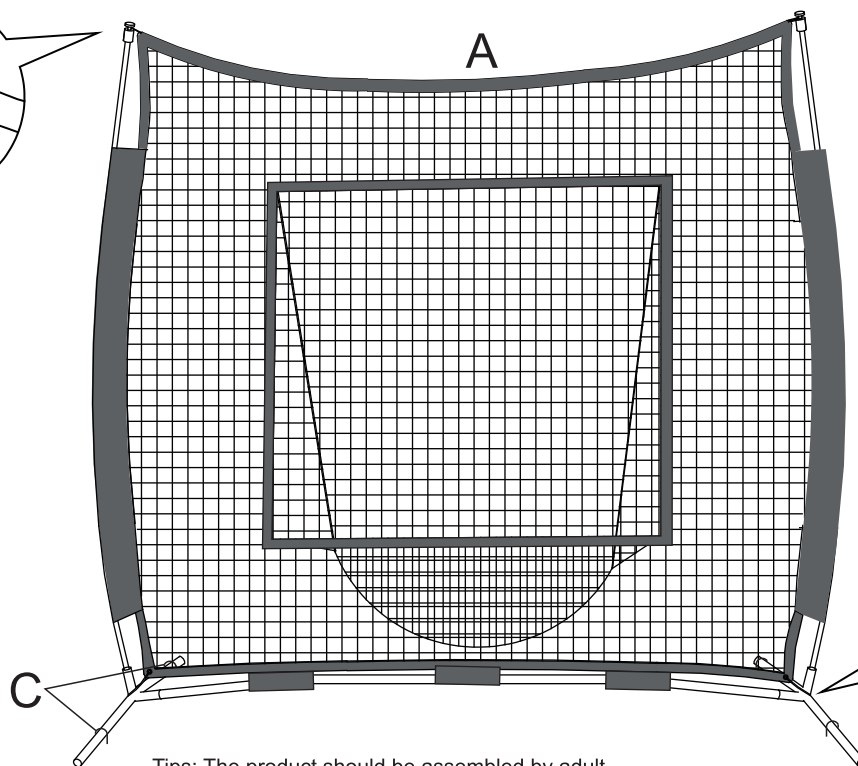
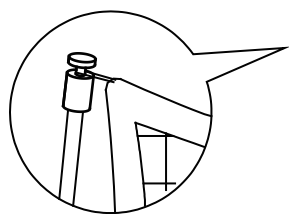
## **ASSEMBLY INSTRUCTION**



- ① x 2
- ② x 1
- ③ x 1
- ④ x 2
- ⑤ x 2



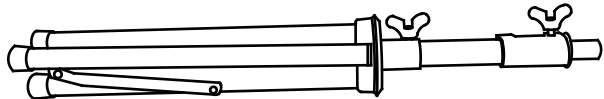
- A x 1
- C x 4
- D x 2



Tips: The product should be assembled by adult.  
Please avoid being injured by fiberglass poles during assembly.

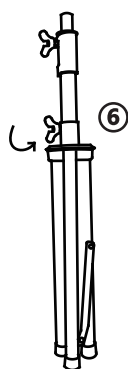
⑥ x 1

⑦ x 1

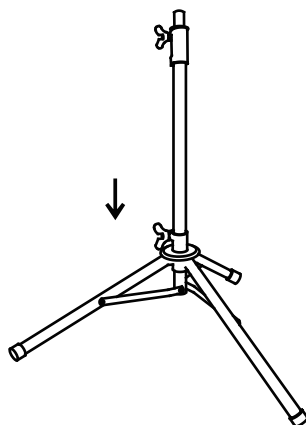


⑥ x 1

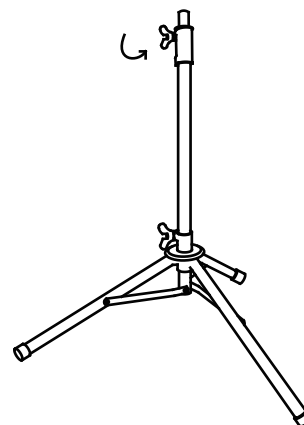
01



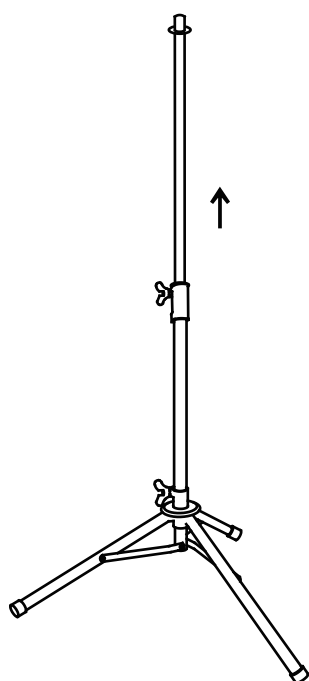
02



03

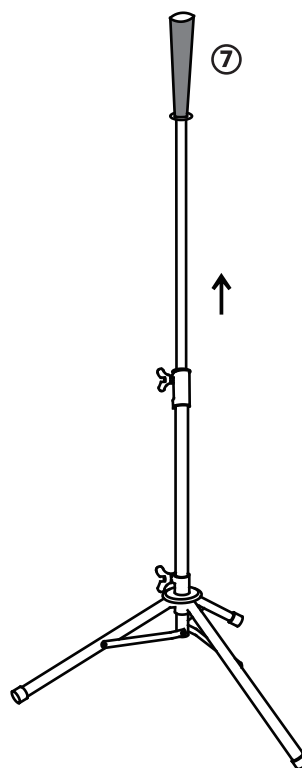


04

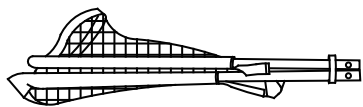


⑦ x 1

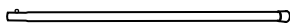
05



**E** x 1



**F** x 3



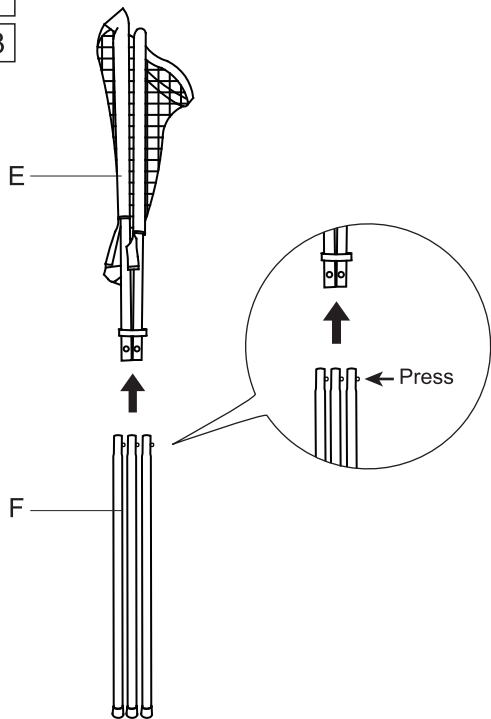
**G** x 1



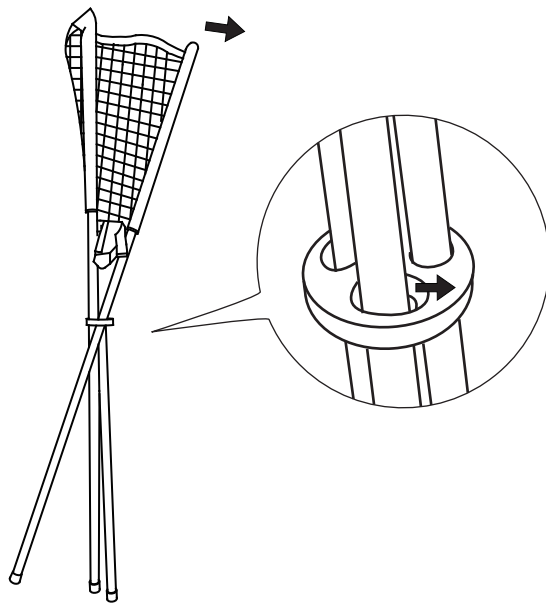
**E** x 1

**F** x 3

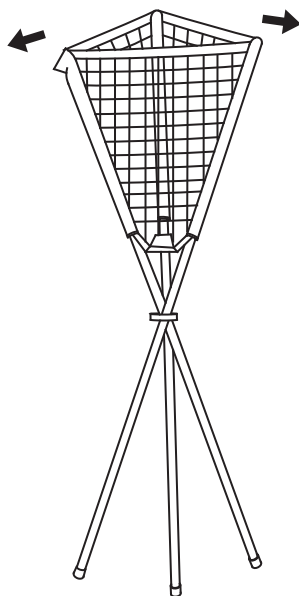
**01**



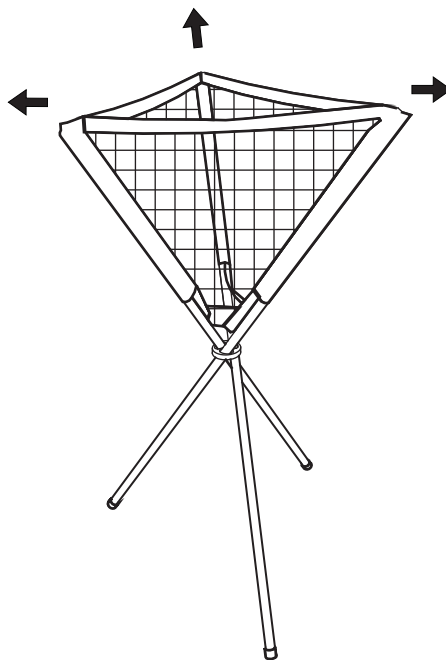
**02**



**03**



**04**



Tips: Max capacity: 120pcs baseball balls  
Supporting capacity: 17 kgs