



IN230200236V02_US

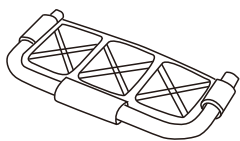
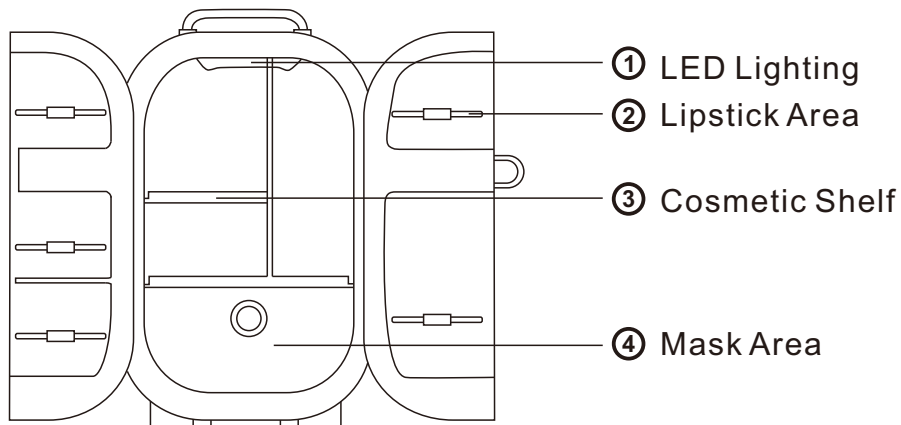
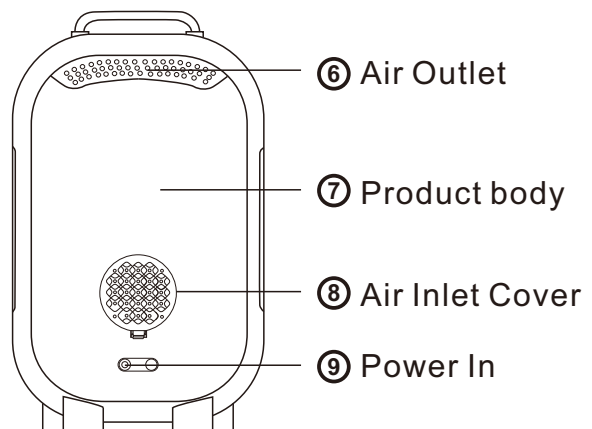
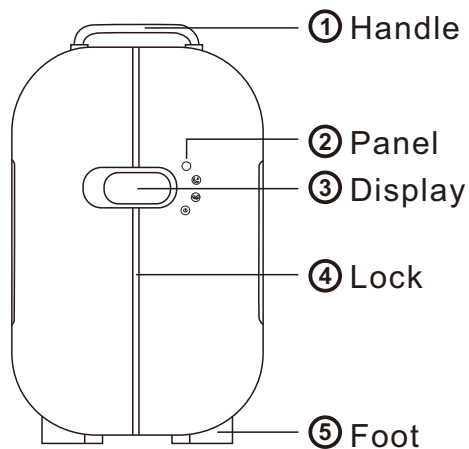
800-136_800-136V80



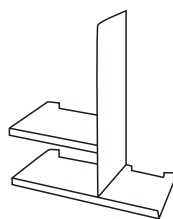
IMPORTANT, RETAIN FOR FUTURE REFERENCE: READ CAREFULLY

ASSEMBLY INSTRUCTION

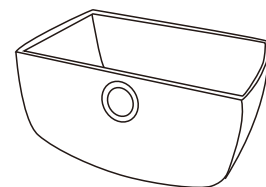
Know your product:



② Lipstick Area



③ Cosmetic Shelf



④ Mask Area

Operation Guide:

First make sure the switch of the cooler and warmer is in OFF state, and then insert the plug of the power cord into the socket of the unit.

1. Insert the body plug of the wire securely into the connector on the back of the fridge, and insert the plug into the socket.
2. After the power is switched on, press the On/Off panel switch to start



Intelligent Constant Temperature Mode



Night Mute Mode



Energy Saving Mode



On/Off

How to set the time:

Long press the intelligent constant temperature mode panel and the night mute mode panel for 3 seconds to enter the set time mode: The night mute mode panel can choose to adjust the hour or the minute, the energy saving mode panel can the add ,The on/off panel can the reduce , and finally press the intelligent constant temperature mode panel to confirm that the setting time is completed.



Intelligent Constant Temperature Mode



Night Mute Mode



Energy Saving Mode

Work performance:

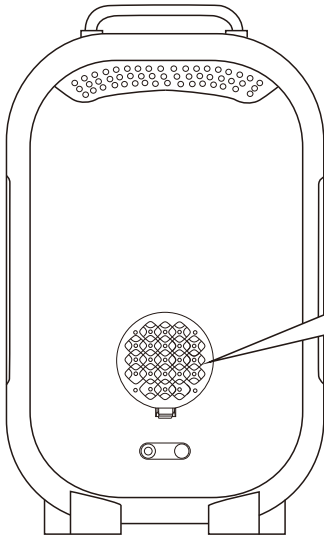
To obtain optimized cooling effect, we suggest putting in per-chilled foods and drinks. It will take 2 or 3 hours for cooling the unfrozen foods or drinks. The cooler and warmer is not designed to heat cold food but to preserve hot foods at warm temperature. If necessary, it can heat the foods with more than 2 hours. If it's applied properly following the direction, the temperature of foods can be kept for hours.

WARNING AND NOTICE

FOR THE PROPER OPERATION, PLEASE READ THE BELOW-STATED CAREFULLY BEFORE USING THE APPLIANCE. MISUSE OF THE APPLIANCE WILL CAUSE THE DEATHS AND INJURIES OF PERSON AND THE APPLIANCE BROKEN.

1. Prevent the fans from being stuck. The fans being stuck will heat the engine and cause fire. The towel, cloths and the like shall not be put on it.
2. Please confirm the sockets of the cords to be tight. The loose socket will result in the cords and sockets heating and broken, even fire.
3. Keep the appliance away from the flammable items and dampness to prevent the explosive and fire.
4. Don't break up or refit the appliance.
5. Don't rinse it with water.
6. Prevent the appliance from being upside down.
7. Please don't drop or shock it.
8. The appliance shall not be exposed to rain
9. Children should be supervised to ensure that they do not play with the appliance.
10. Keep ventilation openings, in the appliance enclosure or in the built-in structure, clear of obstruction.

Input voltage	100~240 V
Input AC frequency	50/60 Hz
Output voltage	12 V
Output current	5 A
Output power	60 W
Average active efficiency	88 %
Efficiency at low load (10 %)	
No-load power consumption	0.21 W



NOTE: Disassemble the filter, rinse it with water, dry it, and then assemble it on the product to ensure that the product works without noise.

US

If you have any questions, please contact our customer care center.
Our contact details are below:



001-877-644-9366



customerservice@aosom.com

Imported by Aosom LLC
27150 SW Kinsman Rd Wilsonville, OR 97070 USA
MADE IN CHINA

