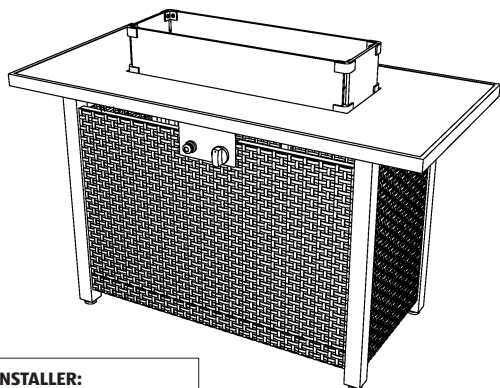




867-111BN

RY43-0023



INSTALLER:
Leave this manual with
the appliance.
CONSUMER:
Retain this manual for
future reference.



DANGER

CARBON MONOXIDE HAZARD

This appliance can produce carbon monoxide which has no odor.

Using it in an enclosed space can kill you.

Never use this appliance in an enclosed space such as a camper, tent, car or home.



DANGER

FIRE OR EXPLOSION HAZARD

If you smell gas:

- Shut off gas to the appliance.
- Extinguish any open flame.
- If odor continues, leave the area immediately.
- After leaving the area, call your gas supplier or fire department.

Failure to follow these instructions could result in fire or explosion, which could cause property damage, personal injury, or death.



WARNING

Do not store or use gasoline or other flammable vapors and liquids in the vicinity of this or any other appliance. An LP-cylinder not connected for use shall not be stored in the vicinity of this or any other appliance.



WARNING

For outdoor use only. Installation and service must be performed by a qualified installer, service agency, or the gas supplier.



WARNING

If the information in this manual is not followed exactly, a fire or explosion may result causing property damage, personal injury, or loss of life.

Improper installation, adjustment, alteration, service or maintenance can cause injury or property damage. Refer to the owner's information manual provided with this appliance. For assistance or additional information consult a qualified installer, services agency or the gas supplier.



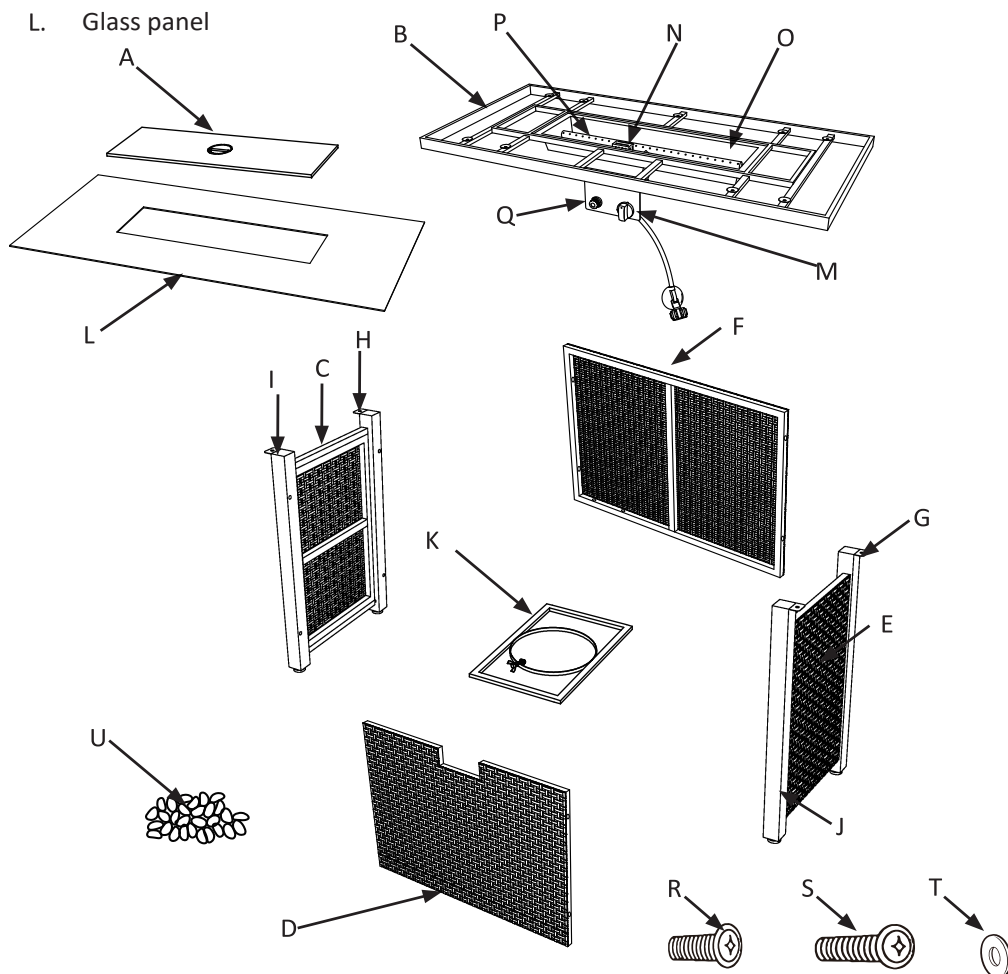
ASSEMBLY INSTRUCTION

Table of contents

Parts list	3
Safety instructions	4
Assembly instructions	7
User instructions	11
Cleaning and maintenance	12
Other useful information	12
Storing	12
Environmental protection	12
Service center	12

Main parts

- | | | | |
|----|-----------------|----|------------------------------------------|
| A. | Table lid | M. | Control knob (preassembled) |
| B. | Table top | N. | Fire pit glass wind guard (preassembled) |
| C. | Door | O. | Firebowl (preassembled) |
| D. | Front panel | P. | Burner (preassembled) |
| E. | Side panel | Q. | Electronic igniter (preassembled) |
| F. | Later panel | R. | M6 x 16 screw (x4) |
| G. | Right back leg | S. | M6 x 35 screw(x12) |
| H. | Left back leg | T. | Washer (x16) |
| I. | Left front leg | U. | Cashew glass stone |
| J. | Right front leg | | |
| K. | Metal stand | | |
| L. | Glass panel | | |



General information

Before you assemble or operate this unit, please carefully read this entire manual. Failure to do so may result in a fire, explosion, injury or death.

WARNING

1. The installation of this unit must adhere to local codes or Propane Storage and Handling Code, CSA B149.2
2. **THIS UNIT IS INTENDED FOR OUTDOOR USE ONLY!** This product shall be used outdoors, in a ventilated space and shall not be used in any enclosed area.
3. This unit is to be used with propane gas only! (sold separately)
4. Do not attach a remote gas supply to this unit.
5. Only use propane gas for this unit.
6. This unit is not intended for natural gas.
7. Converting this unit to natural gas is dangerous and not recommended. The conversion of this unit will void the manufacturer warranty.
8. Do not use any solid fuel or charcoal for this unit.
9. When igniting this unit, stay away from the burner as the flame will light up and may cause injury.
10. **LP GAS WARNING:** Do not use any more than 1/4in depth lava rocks/pumice stones/LavaGlass™ above the burner holes. Doing so will suffocate the flame.
11. If the propane gas tank is leaking gas, you may hear, see, or smell a hiss. Do the following:
 1. Disconnect the propane gas tank.
 2. Do not attempt to fix the problem yourself.
 3. Contact your gas supplier or fire department for help.
12. Applying too much propane may result in gas pooling and will not burn. Allow fresh air into the unit so that the remaining gas may escape.
13. Do not use a flame to check for gas leaks.
14. Manifold pressure: 11 inch w.c. (2.74kPa).
15. Use LP propane tanks with the following dimensions: diameter 12 in, height 18 in.
16. You must use a propane tank that has a collar to protect the gas valve.
17. **DO NOT** fill tank over 80 percent full.
18. The tank system must be set up for vapor withdrawal.
19. Discontinue use if any part of the propane tank is damaged. Rust and dents may be hazardous and should be inspected by a gas supplier.
20. Do not burn anything other than the provided materials for this fire table.
21. Keep away from the unit for the first 20 minutes after igniting your unit for the first time, as lava rocks/pumice stones/LavaGlass™ could pop out and cause injury. Should any rocks pop out, discard them.
22. Always ensure that lava rocks/pumice stones/LavaGlass™ are completely dry before use. Failure to do so will cause them to crack or pop.
23. Do not operate unit until all parts are fully assembled.
24. Do not paint or color any part of this heating unit.
25. Unit may be hot while in use, do not attempt to move it while in use.
26. Never leave this heating unit unattended while in use.
27. This unit is not intended for cooking.
28. Keep any flammable items away and do not use any other fireplace cover for this unit.
29. Keep a safe distance to avoid burning skin or clothing.
30. Do not sit or rest hands or feet on this heating unit.
31. Never place hands or fingers on upper portion of this unit while in use.
32. Keep all electrical cords and fuel supply hose away from heated surfaces.
33. Combustible material should not be within 60 inches of the top of the unit, or

within 48 inches around the entire unit.

34. Keep the appliance area clear and free from combustible material, gasoline and other flammable vapors and liquids.
35. If the flame goes out while burning, turn the gas valve off. Wait 5 minutes before repeating the initial lighting procedure. Once you have a flame started, hold down the control knob for 1 minute.
36. Do not add water into the unit.
37. Do not operate unit if any part has been under water. Call a service technician to replace any damaged parts should this occur.
38. Do not disconnect any part while unit is in use.
39. Do not store a spare propane tank on or near this unit.
40. If the heating unit is indoors, detach the propane tank and leave outdoors.
41. Do not operate on a boat or vehicle. This unit must be used on a flat surface and outdoors ONLY.
42. Always remove protective cover before operating (if applicable).
43. Do not set the protective cover over the unit until it is turned off and completely cooled down.
44. Check for leaks after not using the unit for long periods of time.
45. Children should never operate this unit. Children must be supervised while near this unit.
46. Keep gas tank at least 5 feet away from unit when lit. (if external tank)
47. Maximum gas supply: 250 psi; Min. gas supply: 10 psi.
48. All installation and repair should be done by a qualified professional. This unit should be inspected annually and cleaned regularly.
49. Inspect all elements of this heating unit before each use. If there is damage, the burner must be replaced.
50. Keep the hose out from any pathways to eliminate any accidental damage. (if external tank)
51. Be aware of the hazards of high temperatures and stay away from the unit to avoid any burns or injury.
52. The gas supply tank should be constructed and marked with the specifications for the LP gas tanks of the U.S. Department of Transportation or the National Standard of Canada CAN/CSA-B339, LP gas tanks, spheres and tubes for Transportation of Dangerous Goods; and Commission.
53. The LP gas tank must have a listed overfilling prevention device and a QCCI or Type I, (CGA791) LP gas tank connection.
54. This heating appliance should not be used on plastic or artificial wood decks.
- 55. Children and adults should be alerted to the hazards of high surface temperatures and should stay away to avoid burns or clothing ignition.**
- 56. Young children should be carefully supervised when they are in the area of the appliance.**
- 57. Clothing or other flammable materials should not be hung from the appliance or placed on or near the appliance.**
- 58. Any guard or other protective device removed for servicing the appliance shall be replaced prior to operating the appliance.**
- 59. Installation and repair should be done by a qualified service person. The appliance should be inspected before use and at least annually by a qualified service person. More frequent cleaning may be required as necessary. It is imperative that the control compartment, burners and circulating airways of the appliance are kept clean.**

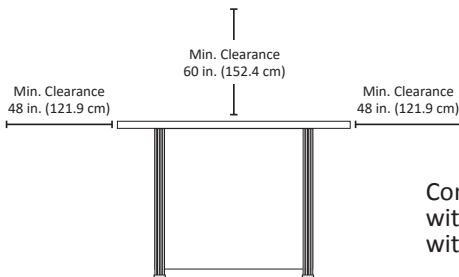
IF APPLICABLE:

60. Allow heating item to cool completely before placing on lid.
61. DO NOT use heating item while lid is installed. Always remove the lid while heating item is in use.

Only use the regulator and hose assembly provided with this unit. Replacement parts must be supplied directly by Quanzhou Ronry Homeware Co., Ltd .

Inspect the burner before use of this unit. If the burner shows any kind of damage, do not operate the appliance. For assistance with repair or replacement of the burner or any other parts, calls Ronry Homeware at 0086-595-23288688.

NOTE: You must follow all steps to properly assemble this heating item. Make sure the gas valve is turned "OFF" before assembling. Do NOT attempt to assemble without proper tools.

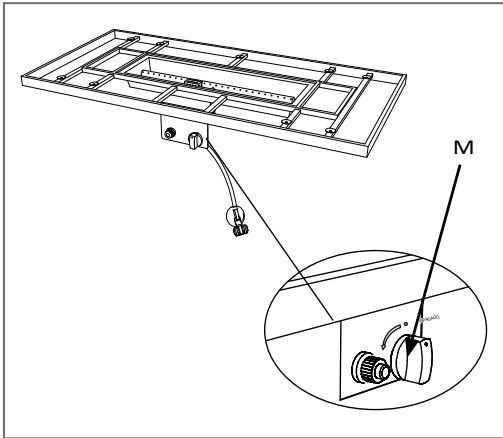


Combustible materials should not be within 60 inches of the top of the unit, or within 48 inches around the entire unit.

SAVE ALL INSTRUCTIONS FOR FURTHER USE

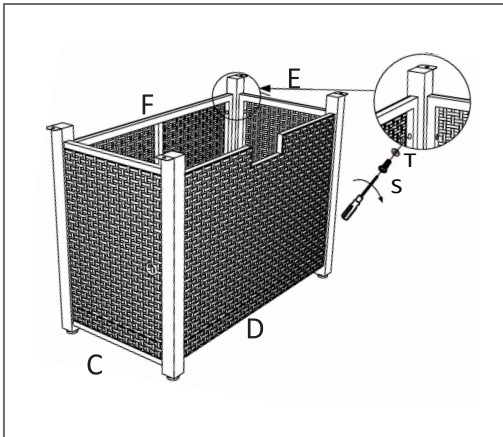
Always use in accordance with all applicable regional, provincial, federal, national regulations. Consult your local authority and/or fire department for current conditions such as burn ordinances or burn bans in your area.

No Materials can be burned that cause noxious/toxic odours, such as oil, grease, pressured treated wood, plastics, flammable liquids, yard waste, clothing and rags.



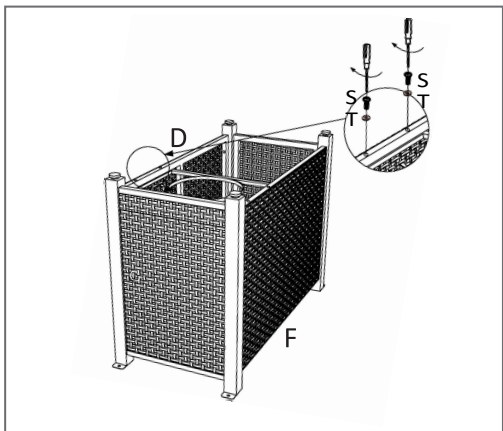
Checking the gas control

1. Check that the control knob (M) for the gas supply system is turned to the "OFF" position before starting any assembly.



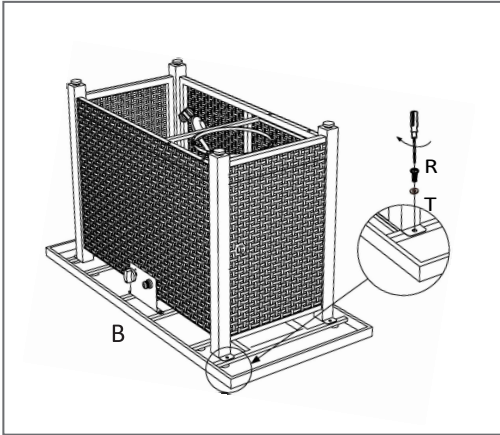
Attaching the later and front panel

2. Attach the later panel (F) and front panel (D) to the parts(C)(E) using 8 pcs Mx35 screws (S) and 8 pcs washers (T).



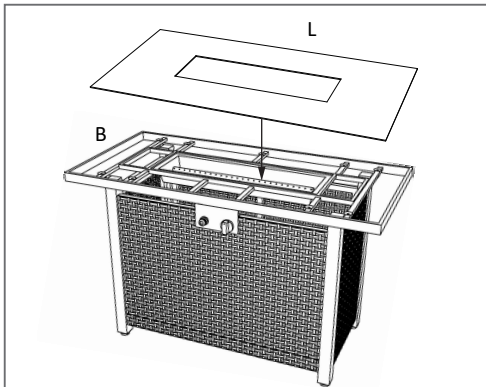
Attaching the panels

3. Attach the later panel(F) and front panel (D) to the metal stand (K) using 4 pcs M6 x 35 screws (S) and 4 pcs washers (T).



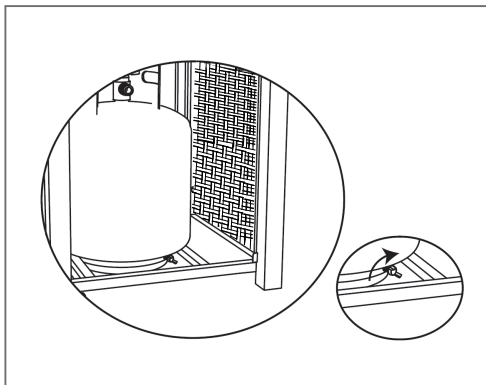
Attaching the tabletop

4. Attach the table base to the bottom part of the table top(B) using 4pcs M6X16 screws (R) and 4 pcs washers(T).



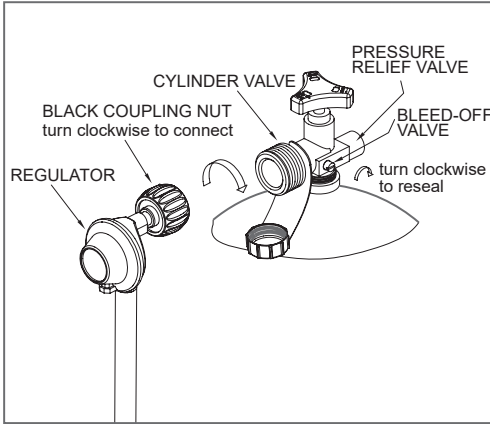
Attaching the glass panel

5. Place the four corners of the glass panel (L) at the four corners of the table top (B) frame gently.



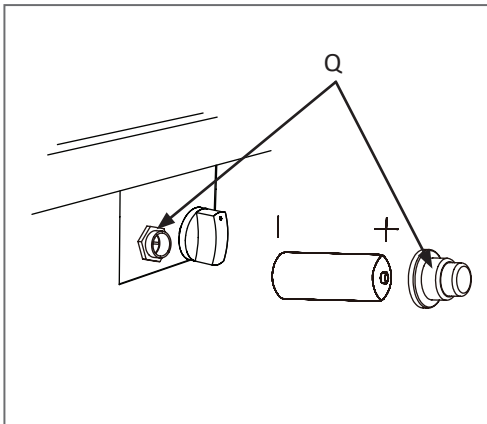
Securing the propane tank

6. Place propane gas tank (not included) into the metal stand (K). Make sure the gas tank sits on the metal stand (K) completely. Turn the preassembled wing screw on the outer part of metal stand (K) clockwise to secure the propane gas.



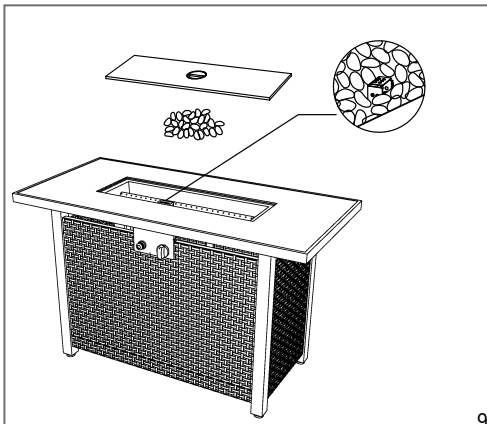
Attaching the regulator

7. Turn the cylinder valve on the tank clockwise to close the propane tank. Attach the preassembled regulator from the table top (B) to the cylinder valve by turning the regulator coupling nut clockwise. Make sure it is fastened securely and tighten connections by hand only. After connecting, secure gas hose to the bracket on the inside of the front panel (D).



Installing the battery

8. Remove the rubber cap on the electronic igniter (Q) by unscrewing and slide battery(not included) into the battery slot. Make sure the positive side of the battery faces outwards. Screw the electronic igniter cap (Q) over the battery tightly.



Pouring the cashew glass stone

9. Pour the box of cashew glass stone (V) into the firebowl (O).

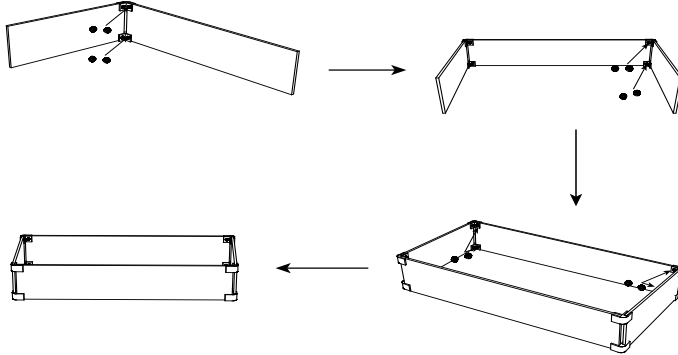
⚠ CAUTION

To ensure proper function, the guard (N) on this burner (P) should be free of cashew glass stone at all times.

Assembly

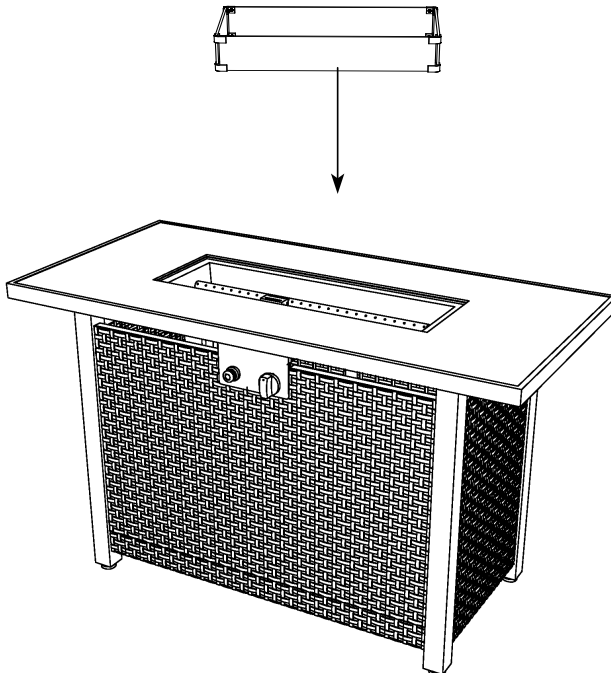
1 Assembling the glass

Unscrew all preassembled screws on the glass clamps. Then, assemble one glass panel to the other glass panel. Repeat for the rest two glass panels. Then, assemble the two glass panel pieces together with the final glass clamps as shown below.



2 Inserting the glass

Insert the glass assembly made in step 1 into the ridge on the top of the fire table body.



Before performing a leak test, be sure that no sparks can occur and you are in a spacious outdoor area. Connect the propane gas tank to the regulator and turn the valve on the unit to the “off” position. Brush a soap and water mixture on all connections. Turn the gas supply on; if bubbles occur on any connection there may be a leak. **If you smell gas or a leak is discovered turn the gas valve off, disconnect propane gas tank and do not use the appliance until the leak is repaired.**

Do not use the heating unit without inspecting the gas hose. If there are signs of wear or abrasion you must replace the hose (if applicable). Pumice stones/lava rocks/LavaGlass™ could pop up and strike somebody’s face during the process of lighting this unit; stand away from the unit for the first 20 minutes after igniting. Flame height should be a yellow/blue color between 10 - 25 inches in height.

Wait 50 minutes after extinguishing flame prior to placing a lid (if applicable) or protective cover on heating item.

To light

1. Make sure the control knob (M) is in the “off” position.
2. Open the door (C) and slowly open the valve on the propane gas tank by turning the knob counterclockwise.
3. Close the door (C) on the body.
4. Push and hold in the electronic igniter (Q) to create sparks within the electrode, continue to hold.
5. Push in the control knob (M) and turn to the “HIGH” position. Keep holding down the control knob (M) to allow gas to flow for 15 seconds.
6. If ignition doesn’t occur within a few seconds release the control knob (M) and rotate to the “OFF” position. Wait for 5 minutes for gas to clear and then repeat the above lighting instructions.
7. Once the fire product is lit, the flame intensity may be controlled by turning the control knob (M) between the “LOW” and “HIGH” positions.

To extinguish

1. Turn control knob (M) clockwise to the “HIGH” position; let the knob pop up and continue turning the control knob (M) to the “OFF” position.
2. Close the cylinder valve on the propane gas tank if you don’t intend to use it for a long time.

Cleaning and maintenance

1. Before performing any maintenance always disconnect propane gas tank.
2. Keep the heating item free and clear from combustible materials.
3. Visually inspect burner for obstructions and keep tank enclosure free and clear from debris.
4. Use a soft brush to get rid of the mild stains, loose dirt and soil after the burner and pumice stones/lava rocks/LavaGlass® are completely cooled down. Wipe down with a soft cloth.
5. Harsh weather conditions may cause stubborn stains, discoloration and possibly rust pitting.
6. Permanent damage may occur if powder or solvent comes in contact with painted or plastic components on this heating unit.
7. Keep the heating unit stored away from direct sunlight.
8. If storing this unit inside, disconnect the propane gas tank from the gas valve.
9. Not using manufacturer approved or supplied parts/accessories may result in a defective condition and void the warranty of this heating unit.
10. Always place lid (if applicable) or protective cover on heating item when not in use.
11. Store your product indoors during winter months. Avoiding extreme cold temperatures will prevent from exposure damage.

Other useful information

Storing

- Allow the fire table to cool completely prior to storing.
- Do not place heavy items on top of the fire table when storing as this may result in possible damage.

Environmental protection

Please be sure that all packaging material is disposed of in an environmentally friendly way.

Service center

If you have any questions in regards to the operation or assembly of this product please contact QUANZHOU RONRY HOMEWARE CO., LTD 29 Siming Avenue, Guanqiao Town, Anxi County, Quanzhou City, Fujian Province, China Toll free phone: 0086-595-23288688.

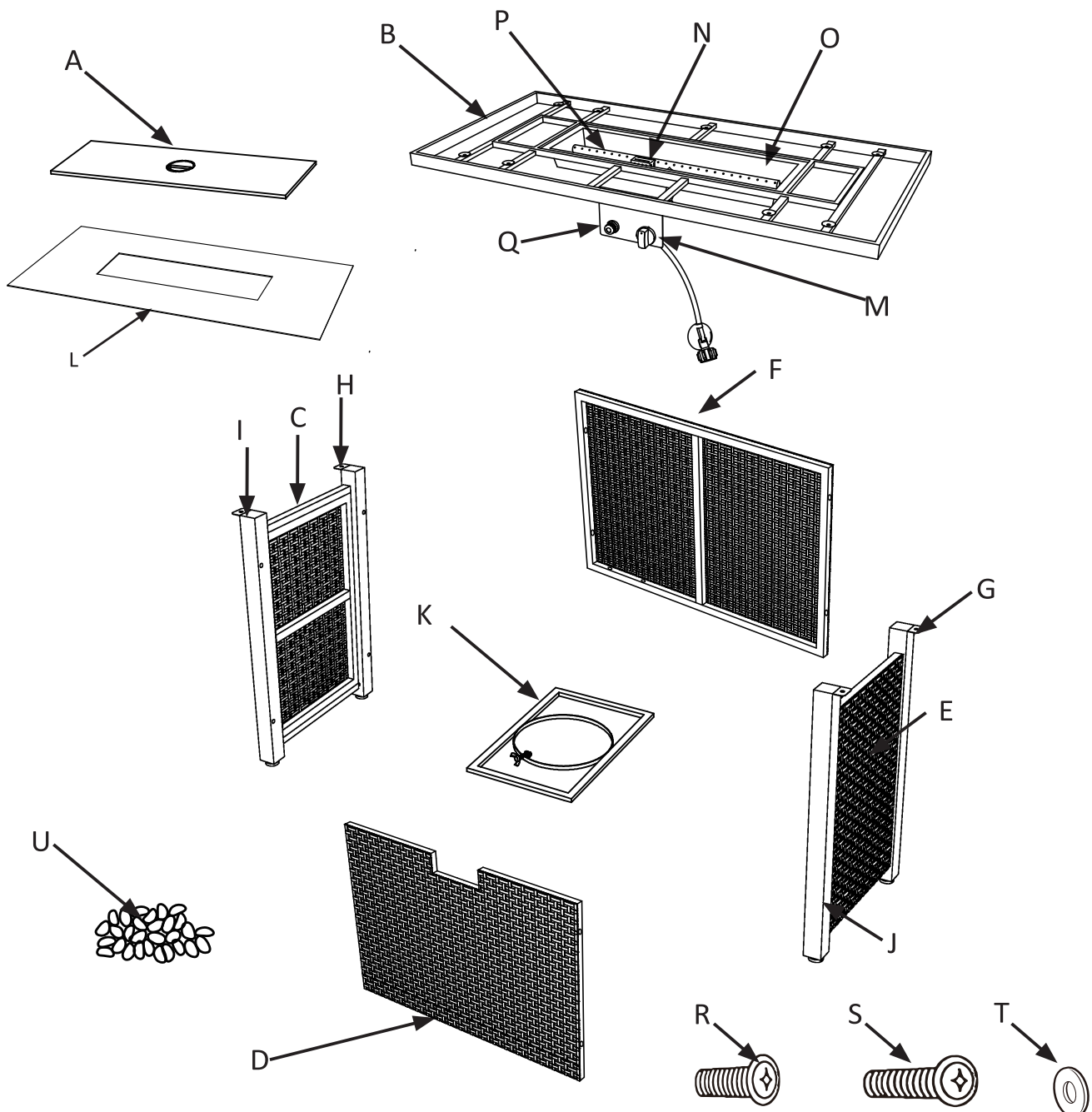
Table des matières

Liste des pièces.....	14
Consignes de sécurité.....	15
Instructions de montage.....	18
Instructions d'utilisation.....	22
Nettoyage et entretien	23
Rangement.....	23
Protection de l'environnement.....	23

Pièces principales

- A. Couvercle de la table
- B. Plateau de la table
- C. Porte
- D. Panneau frontal
- E. Panneau latéral
- F. panneau arrière
- G. Pied arrière droit
- H. Pied arrière gauche
- I. Pied avant gauche
- J. Pied avant droit
- K. Support en métal
- L. Panneau de verre

- M. Bouton de commande (pre assemblé)
- N. Pare-vent en verre pour foyer (pre assemblé)
- O. Cuvette à feu (pre assemblé)
- P. Brûleur (pre assemblé)
- Q. Allumeur électronique (pre assemblé)
- R. Vis M6*16 (*4)
- S. Vis M6*35 (*12)
- T. Rondelle (16)
- U. Pierre de verre de cajou



Informations générales

Avant de procéder au montage ou à l'utilisation de cet appareil, veuillez lire attentivement l'intégralité de ce manuel. Le non-respect de cette consigne peut entraîner un incendie, une explosion, des blessures ou la mort.

AVERTISSEMENT

1. L'installation de cet appareil doit être conforme aux réglementations locales ou au Code de manutention et de conservation du propane, CSA B149.2.
2. **CETTE UNITÉ EST DESTINÉE À UNE UTILISATION EXTÉRIEURE UNIQUEMENT !** Ce produit doit être utilisé à l'extérieur, dans un espace ventilé et ne doit pas être utilisé dans un endroit fermé.
3. Cette unité doit être utilisée avec du gaz propane uniquement ! (vendu séparément).
4. Ne pas raccorder une alimentation de gaz à distance à cette unité.
5. Utilisez uniquement du gaz propane pour cet appareil.
6. Cette unité n'est pas conçue pour le gaz naturel.
7. La conversion de cette unité au gaz naturel est dangereuse et n'est pas recommandée. La conversion de cet appareil annulera la garantie du fabricant.
8. N'utilisez pas de combustible solide ou de charbon de bois avec cet appareil.
9. Lorsque vous allumez cet appareil, restez à l'écart du brûleur car la flamme s'allume et peut causer des blessures.
10. **AVERTISSEMENT :** N'utilisez pas de pierres de lave/ponce/Lava Glass™ d'une profondeur supérieure à 1/4 de pouce au-dessus des trous du brûleur. Cela aurait pour effet d'étouffer la flamme.
11. Si le réservoir de gaz propane présente une fuite de gaz, vous pouvez entendre, voir ou sentir un sifflement. Faites ce qui suit :
 1. Débranchez la bouteille de gaz propane.
 2. N'essayez pas de réparer le problème vous-même.
 3. Contactez votre fournisseur de gaz ou le service des incendies pour obtenir de l'aide.
12. L'application d'une trop grande quantité de propane peut entraîner une accumulation de gaz qui ne brûlera pas. Faites entrer de l'air frais dans l'appareil pour que le gaz restant puisse s'échapper.
13. N'utilisez pas de flamme pour vérifier les fuites de gaz.
14. Pression du distributeur : 2,74 kPa (11 pouces c.e.).
15. Utilisez des réservoirs de gaz propane liquéfié aux dimensions suivantes : diamètre 12 pouces, hauteur 18 pouces.
16. Vous devez utiliser une bouteille de propane munie d'un collier pour protéger la vanne de gaz.
17. **NE** remplissez **PAS** le réservoir à plus de 80 %.
18. Le système de réservoir doit être configuré pour le retrait de vapeur.
19. Cessez d'utiliser le réservoir de propane si une partie quelconque de celui-ci est endommagée. La rouille et les bosses peuvent être dangereuses et doivent être inspectées par un fournisseur de gaz.
20. Ne brûlez rien d'autre que les matériaux fournis pour cette table de feu.
21. Restez à l'écart de l'appareil pendant les 20 premières minutes après avoir allumé votre appareil pour la première fois, car des roches de lave/pommes de terre/LavaGlass™ pourraient être éjectées et causer des blessures. Si des roches venaient à être éjectées, jetez-les.
22. Assurez-vous toujours que les roches de lave/pierres ponces/LavaGlass™ sont complètement sèches avant de les utiliser. Si vous ne le faites pas, elles risquent de se fissurer ou d'éclater.
23. Ne faites pas fonctionner l'appareil tant que toutes les pièces ne sont pas entièrement assemblées.

24. Ne peignez ou ne colorez aucune partie de cette unité de chauffage.
25. L'unité peut être chaude pendant son utilisation, n'essayez pas de la déplacer pendant son utilisation.
26. Ne laissez jamais cet appareil de chauffage sans surveillance pendant son utilisation.
27. Cette unité n'est pas destinée à la cuisson.
28. Gardez tout article inflammable à l'écart et n'utilisez pas d'autre couvercle de cheminée pour cette unité.
29. Gardez une distance de sécurité pour éviter de brûler la peau ou les vêtements.
30. Ne vous asseyez pas et ne posez pas vos mains ou vos pieds sur cet appareil de chauffage.
31. Ne placez jamais les mains ou les doigts sur la partie supérieure de cette unité pendant son utilisation.
32. Gardez tous les cordons électriques et le tuyau d'alimentation en carburant loin des surfaces chauffées.
33. Les matériaux combustibles ne doivent pas se trouver à moins de 60 pouces du sommet de l'unité, ou à moins de 48 pouces autour de l'unité entière.
34. Gardez la zone de l'appareil dégagée et exempte de matériaux combustibles, d'essence et d'autres vapeurs et liquides inflammables.
35. Si la flamme s'éteint pendant la combustion, fermez le robinet de gaz. Attendez 5 minutes avant de répéter la procédure d'allumage initiale. Une fois la flamme allumée, maintenez le bouton de commande enfoncé pendant 1 minute.
36. Ne pas ajouter d'eau dans l'appareil.
37. Ne faites pas fonctionner l'appareil si une partie quelconque a été immergée dans l'eau. Appelez un technicien pour remplacer les pièces endommagées si cela se produit.
38. Ne débranchez aucune pièce pendant l'utilisation de l'appareil.
39. Ne pas garder une bouteille de propane de rechange sur ou près de cet appareil.
40. Si l'unité de chauffage est à l'intérieur, détachez la bouteille de propane et laissez-la à l'extérieur.
41. Ne pas faire fonctionner sur un bateau ou un véhicule. Cette unité doit être utilisée sur une surface plane et à l'extérieur SEULEMENT.
42. Retirez toujours le couvercle de protection avant de faire fonctionner l'appareil (le cas échéant).
43. Ne remettez pas le couvercle de protection sur l'appareil avant qu'il ne soit éteint et complètement refroidi.
44. Vérifiez l'absence de fuites après une longue période d'inutilisation de l'appareil.
45. Les enfants ne doivent jamais utiliser cet appareil. Les enfants doivent être surveillés lorsqu'ils sont à proximité de l'appareil.
46. Gardez le réservoir de gaz à au moins 1,5 m de l'appareil lorsqu'il est allumé. (si réservoir externe)
47. Alimentation en gaz maximale : 250 psi ; Alimentation en gaz minimale : 10 psi.
48. Toute installation et réparation doit être effectuée par un professionnel qualifié. Cette unité doit être inspectée chaque année et nettoyée régulièrement.
49. Inspectez tous les éléments de cette unité de chauffage avant chaque utilisation. S'il y a des dommages, le brûleur doit être remplacé.
50. Maintenez le tuyau à l'écart de toute voie d'accès pour éviter tout dommage accidentel. (si réservoir externe)
51. Soyez conscient des dangers des températures élevées et restez à l'écart de l'appareil pour éviter toute brûlure ou blessure.
52. Le réservoir d'alimentation en gaz doit être construit et marqué conformément aux spécifications des réservoirs de gaz propane du ministère des Transports des États-Unis ou de la norme nationale du Canada CAN/CSA-B339, Réservoirs, sphères et tubes de gaz propane pour le transport de marchandises dangereuses ; et Commission.

53. Le réservoir de gaz de pétrole liquéfié doit être muni d'un dispositif anti-débordement homologué et d'un raccord de réservoir de gaz de pétrole liquéfié QCCI ou de type I (CGA791).

54. Cet appareil de chauffage ne doit pas être utilisé sur des terrasses en plastique ou en bois artificiel.

55. Les enfants et les adultes doivent être avertis des dangers des températures de surface élevées et doivent rester à l'écart pour éviter les brûlures ou l'inflammation des vêtements.

56. Les jeunes enfants doivent être soigneusement surveillés lorsqu'ils se trouvent dans la zone de l'appareil.

57. Les vêtements ou autres matériaux inflammables ne doivent pas être suspendus à l'appareil ou placés sur ou près de l'appareil.

58. Tout garde ou autre dispositif de protection retiré pour l'entretien de l'appareil doit être remis en place avant de faire fonctionner l'appareil.

59. L'installation et les réparations doivent être effectuées par une personne qualifiée. L'appareil doit être inspecté avant son utilisation et au moins une fois par an par un technicien qualifié. Un nettoyage plus fréquent peut s'avérer nécessaire. Il est impératif que le compartiment de commande, les brûleurs et les voies de circulation d'air de l'appareil soient maintenus propres.

SI APPLICABLE :

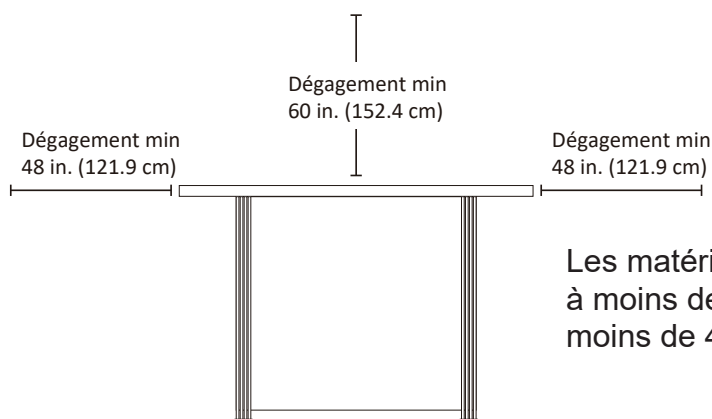
60. Laissez l'élément chauffant refroidir complètement avant de le placer sur le couvercle.

61. NE PAS utiliser l'article chauffant lorsque le couvercle est installé. Toujours retirer le couvercle lorsque l'article chauffant est utilisé.

Utilisez uniquement le régulateur et le tuyau fournis avec cet appareil.

Inspectez le brûleur avant d'utiliser cet appareil. Si le brûleur présente un quelconque dommage, n'utilisez pas l'appareil.

REMARQUE : Vous devez suivre toutes les étapes pour assembler correctement cet article de chauffage. Assurez-vous que la vanne de gaz est fermée avant de procéder à l'assemblage. N'essayez PAS d'assembler l'appareil sans les outils appropriés.

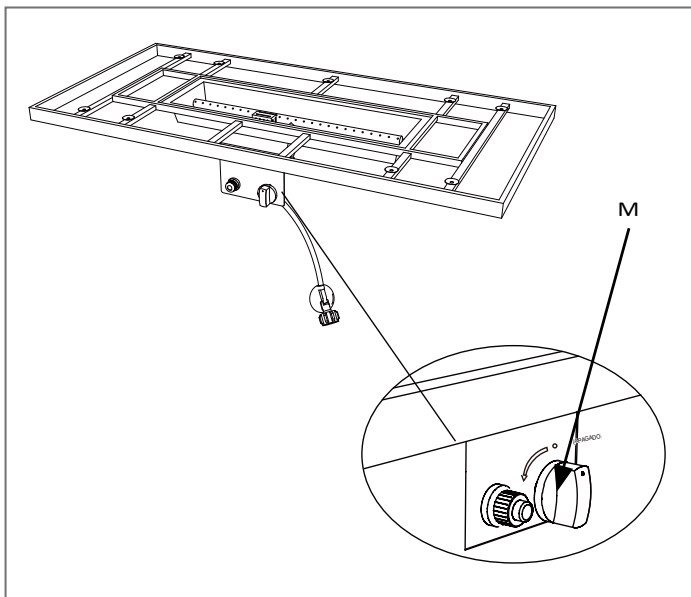


Les matériaux combustibles ne doivent pas se trouver à moins de 60 pouces du haut de l'appareil, ni à moins de 48 pouces autour de l'appareil.

CONSERVEZ TOUTES CES INSTRUCTIONS POUR VOUS EN SERVIR ULTÉRIEUREMENT

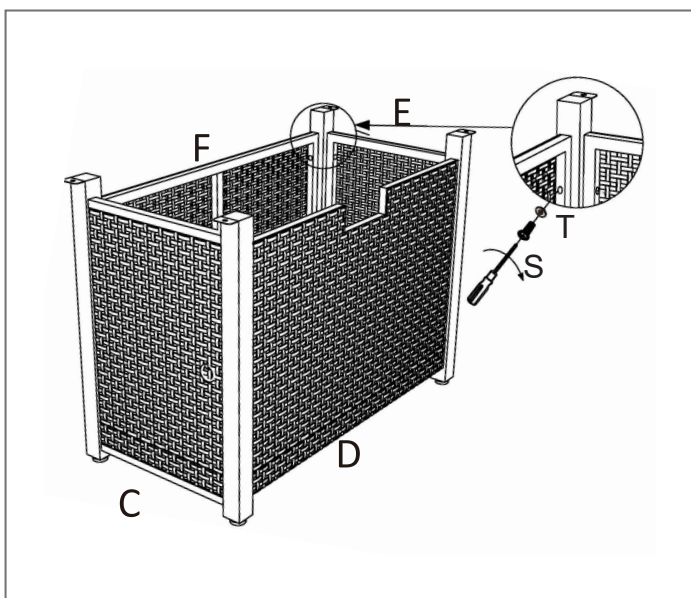
Toujours utiliser conformément à tous les règlements régionaux, provinciaux, fédéraux et nationaux applicables. Consultez votre autorité locale et/ou votre service d'incendie pour connaître les conditions actuelles, comme les ordonnances de brûlage ou les interdictions de brûlage dans votre région.

Aucun matériau causant des odeurs nocives ne peut être brûlé, comme l'huile, la graisse, le bois traité sous pression, les plastiques, les liquides inflammables, les déchets de jardin, les vêtements et les chiffons.



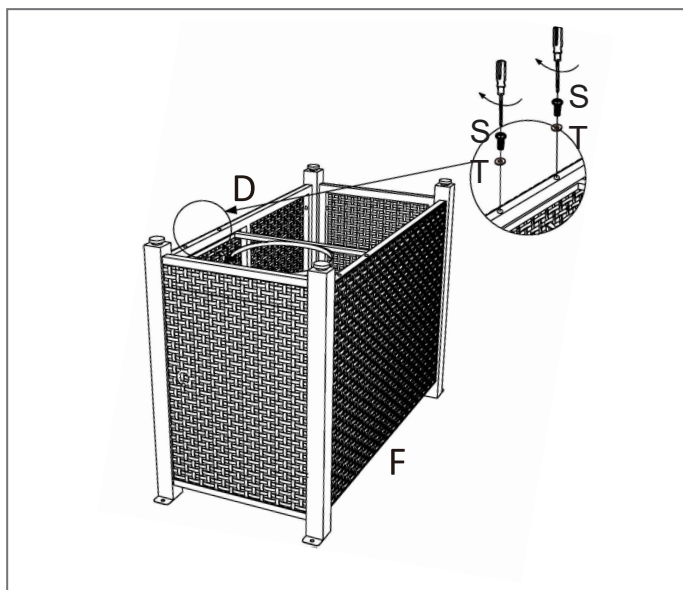
Vérification de la commande de gaz

1. Vérifier que le bouton de commande (M) du système d'alimentation en gaz est sur la position "OFF" avant de commencer tout montage.



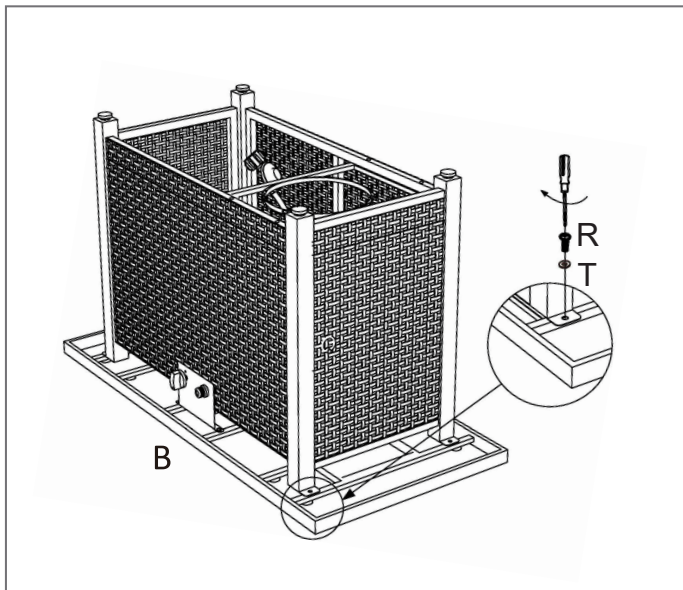
Fixation du panneau latéral et du panneau frontal

2. Fixez le panneau latéral (F) et le panneau avant (D) aux pièces (C) (E) à l'aide de 8 vis M*35 PCS (S) et de 8 rondelles PCS (T).



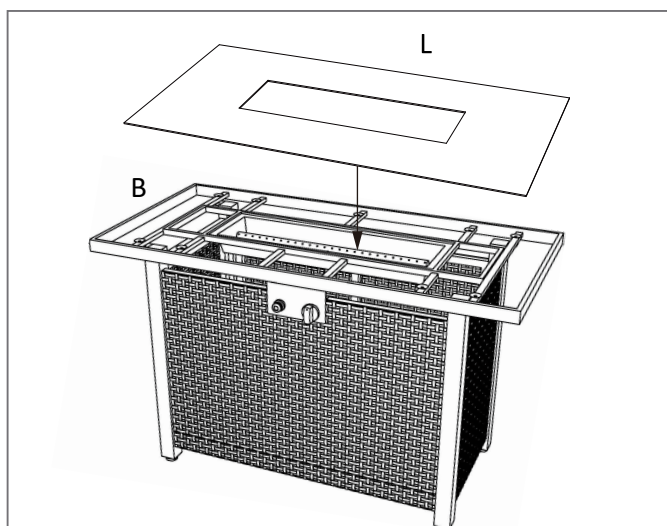
Fixation des panneaux

3. Fixez le panneau latéral (F) et le panneau avant (D) au support métallique (K) à l'aide de 4 vis M6 x 35 (S) et de 4 rondelles (T).



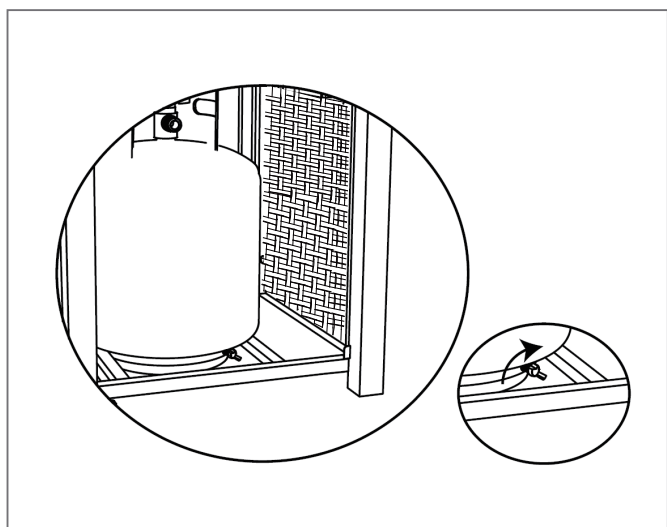
Fixation du plateau de la table

4. Fixez la base de la table à la partie inférieure du plateau (B) à l'aide de 4 vis M6 x 16 (R) et de 4 rondelles (T).



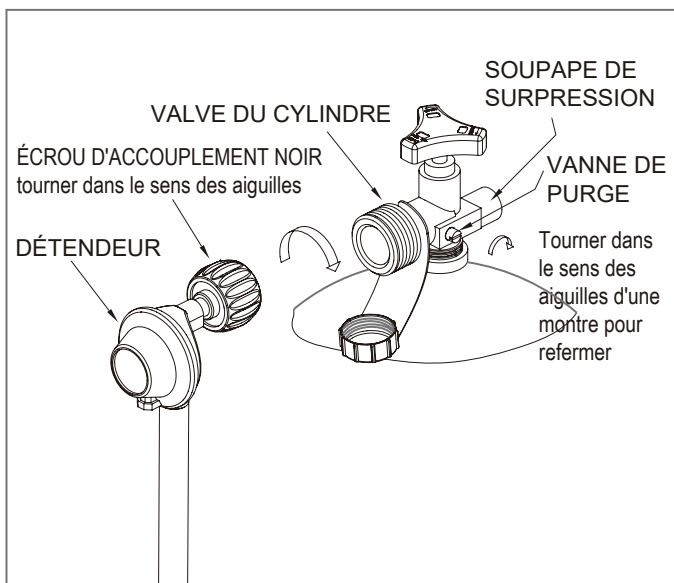
Attaching the glass panel

5. Placez délicatement les quatre coins du panneau de verre (L) aux quatre coins du cadre du plateau de table (B).



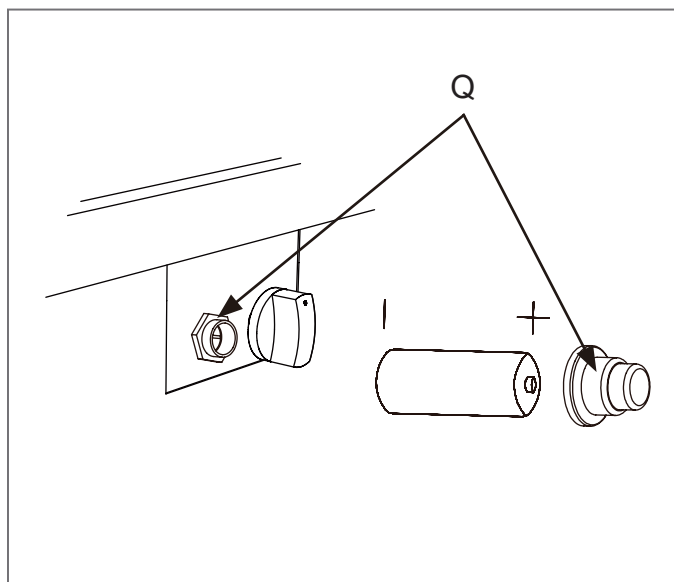
Fixation de la bouteille de gaz propane

6. Placez la bouteille de gaz propane (non incluse) dans le support métallique (K). Assurez-vous que le réservoir de gaz repose complètement sur le support métallique (K). Tournez la vis à ailettes préassemblée sur la partie extérieure du support métallique (K) dans le sens des aiguilles d'une montre pour fixer le gaz propane.



Fixation du détendeur

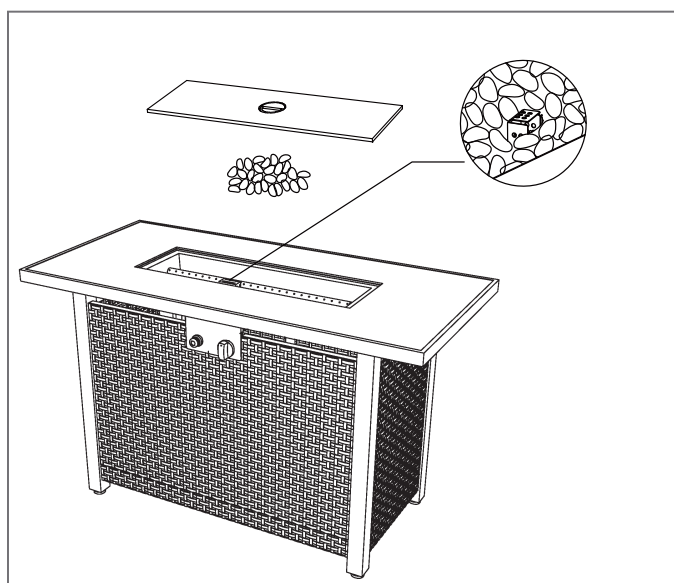
7. Tournez le robinet de la bouteille sur le réservoir dans le sens des aiguilles d'une montre pour fermer le réservoir de propane. Fixez le détendeur préassemblé du dessus de table (B) au robinet de la bouteille en tournant l'écrou de couplage du régulateur dans le sens des aiguilles d'une montre. Assurez-vous qu'il est bien fixé et serrez les connexions à la main uniquement. Après le raccordement, fixez le tuyau de gaz au support situé à l'intérieur du panneau avant (D).



Installation de la pile

8. Retirez le capuchon en caoutchouc de l'allumeur électronique (Q) en le dévissant et faites glisser la pile (non incluse) dans son logement. Veillez à ce que le côté positif de la pile soit tourné vers l'extérieur. Vissez fermement le capuchon de l'allumeur électronique (Q) sur la pile.

T



Verser la pierre de verre de noix de cajou

9. Versez la boîte de pierre en verre de noix de cajou (U) dans le bol à feu (O).

⚠ ATTENTION

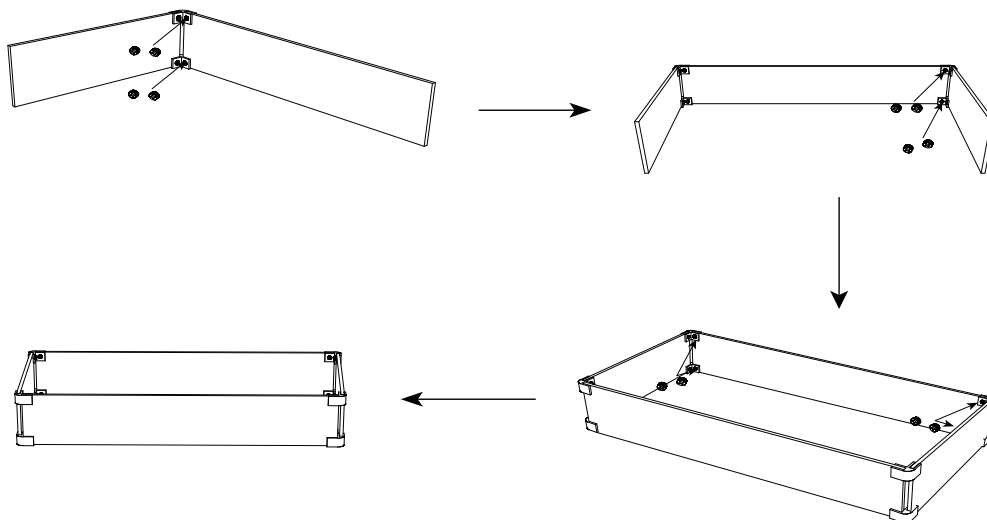
Pour assurer un bon fonctionnement, la protection (N) de ce brûleur (P) doit être exempte de pierre de noix de cajou à tout moment.

Montage

1 Assemblage de la vitre

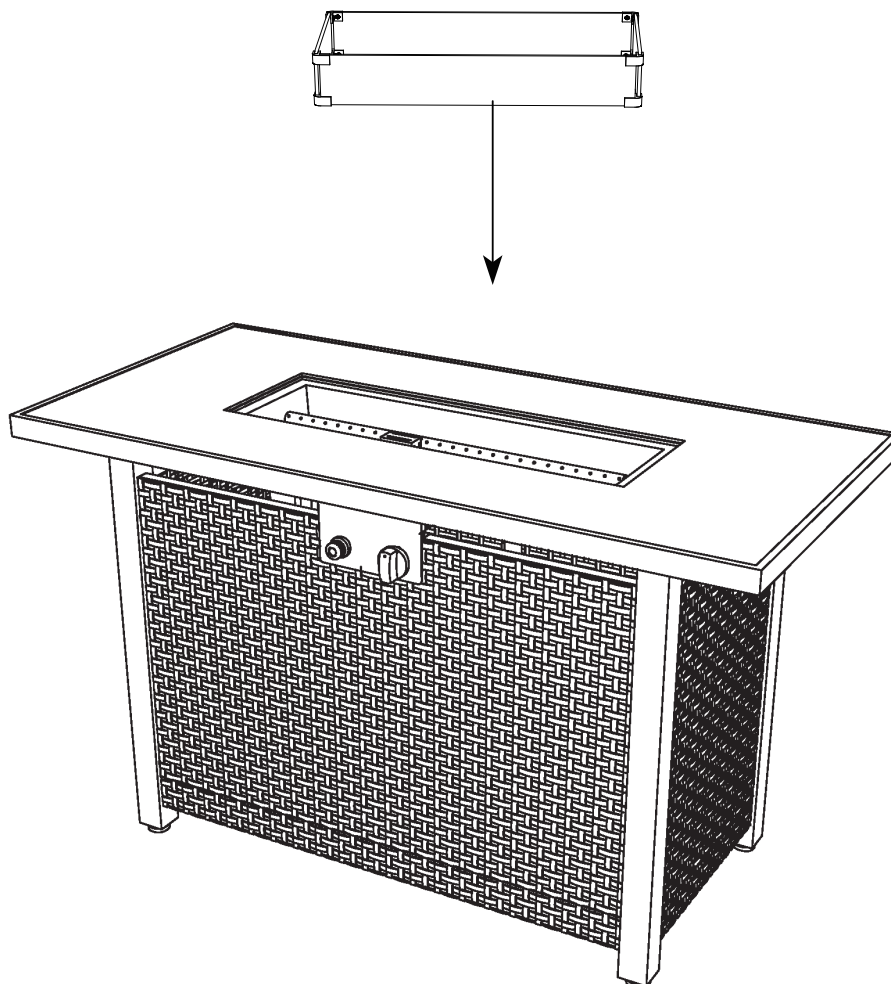
Dévissez toutes les vis prémontées sur les pincres à verre.

Ensuite, assemblez un panneau de verre à l'autre panneau de verre. Répétez l'opération pour les deux autres panneaux de verre. Ensuite, assemblez les deux panneaux de verre avec les dernières pincres à verre comme indiqué ci-dessous.



2 Insertion du verre

Insérez la vitre fabriquée à l'étape 1 dans l'arête supérieure du corps de la table de foyer.



Avant d'effectuer un test d'étanchéité, assurez-vous qu'aucune étincelle ne survient et que vous vous trouvez dans une zone extérieure spacieuse. Raccordez la bouteille de gaz propane au détendeur et mettez le robinet de l'appareil sur la position "ARRÊT". Passez un mélange d'eau et de savon sur toutes les connexions. Ouvrez l'alimentation en gaz ; si des bulles apparaissent sur l'un des raccords, c'est qu'il y a peut-être une fuite. Si vous sentez une odeur de gaz ou si une fuite est découverte, fermez le robinet de gaz, débranchez la bouteille de gaz propane et n'utilisez pas l'appareil jusqu'à ce que la fuite soit réparée. N'utilisez pas l'appareil de chauffage sans inspecter le tuyau de gaz. S'il présente des signes d'usure ou d'abrasion, vous devez remplacer le tuyau (le cas échéant). Des pierres ponces/roches de lave/ Lava Glass™ pourraient surgir et frapper le visage de quelqu'un pendant le processus d'allumage de cet appareil ; tenez-vous à l'écart de l'appareil pendant les 20 premières minutes après l'allumage. La hauteur de la flamme doit être de couleur jaune/bleu entre 10 et 25 pouces de hauteur. Attendez 50 minutes après l'extinction de la flamme avant de placer un couvercle (le cas échéant) ou une housse de protection sur l'article chauffant.

Allumage

1. Assurez-vous que le bouton de commande (M) est sur la position "ARRÊT".
2. Ouvrez la porte (C) et ouvrez lentement le robinet de la bouteille de gaz propane en tournant le bouton dans le sens inverse des aiguilles d'une montre.
3. Fermez la porte (C) du corps.
4. Poussez et maintenez enfoncé l'allumeur électronique (Q) pour créer des étincelles dans l'électrode, continuez à le maintenir.
5. Enfoncez le bouton de commande (M) et tournez-le en position " ÉLEVÉE ". Maintenez le bouton de commande (M) enfoncé pour permettre au gaz de circuler pendant 15 secondes.
6. Si l'allumage ne se produit pas dans les secondes qui suivent, relâchez le bouton de commande (M) et tournez-le en position "ARRÊT". Attendez 5 minutes pour que le gaz se dissipe, puis répétez les instructions d'allumage ci-dessus.
7. Une fois le produit allumé, l'intensité de la flamme peut être contrôlée en tournant le bouton de commande (M) entre les positions " FAIBLE " et " ÉLEVÉE ".

Extinction du feu

1. Tournez le bouton de commande (M) dans le sens des aiguilles d'une montre jusqu'à la position " ÉLEVÉE " ; laissez le bouton remonter et continuez à tourner le bouton de commande (M) jusqu'à la position " ARRÊT ".
2. Fermez le robinet de la bouteille de gaz propane si vous n'avez pas l'intention de l'utiliser pendant une longue période.

Nettoyage et Entretien

1. Avant d'effectuer tout entretien, débranchez toujours la bouteille de gaz propane.
2. Maintenez l'élément chauffant libre et dégagé de tout matériau combustible.
3. Inspectez visuellement le brûleur pour vérifier qu'il n'y a pas d'obstruction et gardez l'enceinte du réservoir libre et dégagée de tout débris.
4. Utilisez une brosse douce pour vous débarrasser des taches légères, de la saleté détachée et de la terre après le refroidissement complet du brûleur et des pierres ponces/roches de lave/Lava Glass®. Essuyez avec un chiffon doux.
5. Les conditions climatiques difficiles peuvent provoquer des taches tenaces, une décoloration et éventuellement des piqûres de rouille.
6. Des dommages permanents peuvent se produire si la poudre ou le solvant entre en contact avec les composants peints ou en plastique de cet appareil de chauffage.
7. Gardez l'unité de chauffage entreposée à l'abri de la lumière directe du soleil.
8. Si vous rangez cet appareil à l'intérieur, débranchez la bouteille de gaz propane de la vanne de gaz.
9. Ne pas utiliser les pièces/accessoires approuvés ou fournis par le fabricant peut entraîner un état défectueux et annuler la garantie de cet appareil de chauffage.
10. Toujours placer le couvercle (le cas échéant) ou la housse de protection sur l'article de chauffage lorsqu'il n'est pas utilisé.
11. Rangez votre produit à l'intérieur pendant les mois d'hiver. Évitez les températures extrêmement froides pour ne pas endommager l'appareil.

Rangement

- Laissez la table de cuisson refroidir complètement avant de la ranger.
- Ne placez pas d'objets lourds sur la table de cuisson lorsque vous la rangez, car cela pourrait l'endommager.

Protection de l'environnement

Veillez à ce que tous les matériaux d'emballage soient éliminés dans le respect de l'environnement.