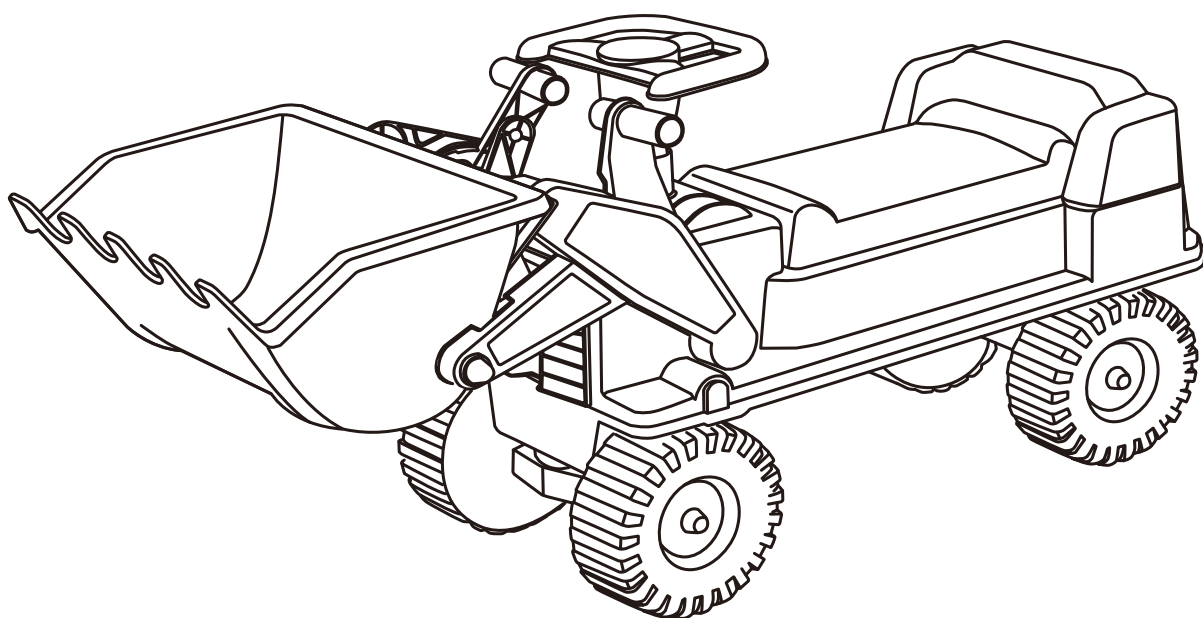




IN230500168V01_US

370-177



Kids Engineering Truck

WARNING: Suitable for children of 18+ months; Max weight: 30 kg.

IMPORTANT, RETAIN FOR FUTURE REFERENCE: READ CAREFULLY.

ASSEMBLY INSTRUCTION

WARNING:

1. Only allowed for adults to install, keep children away.
2. To be used under the direct supervision of an adult.
3. Just only allow one child to use.
4. Please use on a flat and clean surface. Never use near steps, sloped driveways, hills roadways, alleys, swimming pool areas, road, on grass or wet surfaces or other bodies of water.
5. Before driving toy car each time, adult should inspect screws of every parts, please tighten the screw cap if any looseness. secure all fasteners before every ride.
6. Always wear shoes and suitable protective equipment. always wear a local standard approved helmet while riding, with the chinstrap securely fastened.
7. Do not ride the product at dusk, at night or at times of limited visibility.
8. Always comply with local laws and regulations.

MAINTENANCE & CARE

- A. Keep all instructions and parts relating to this product for future reference.
- B. Regularly check for damage and that all screws are securely tightened.
- C. Check that the seat is securely fastened.
- D. Lubricate the chain as often as required.
- E. Regularly check tyre pressures.

If you have any questions, please contact our customer care center.

Our contact details are below:



001-877-644-9366

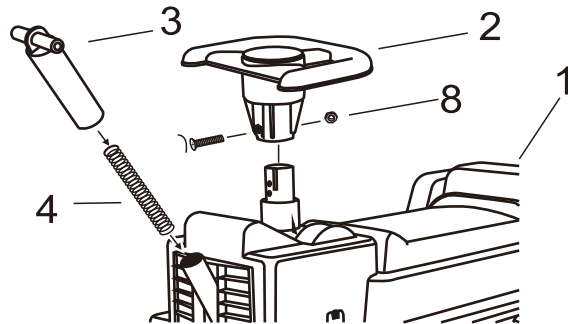
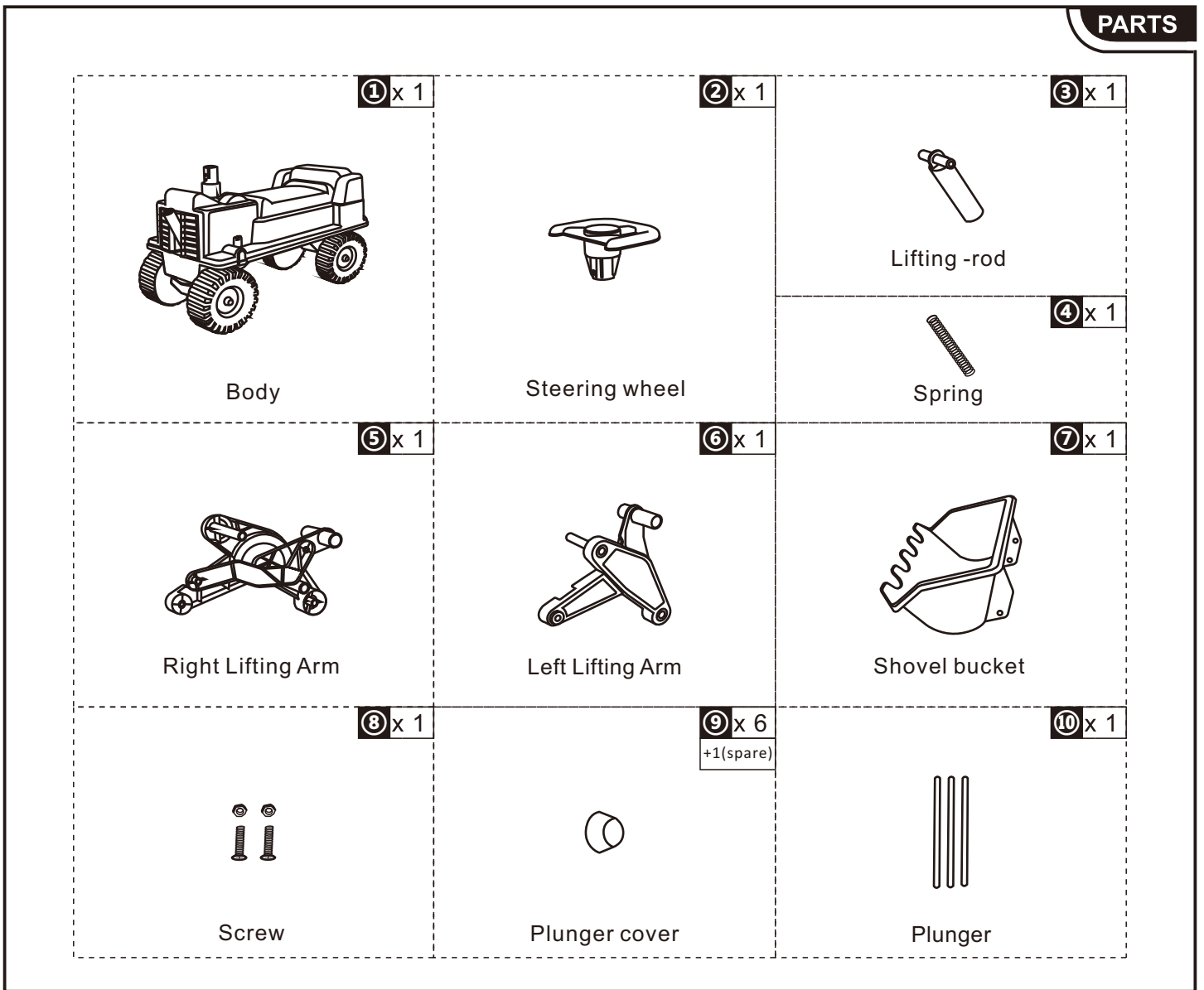


customerservice@aosom.com

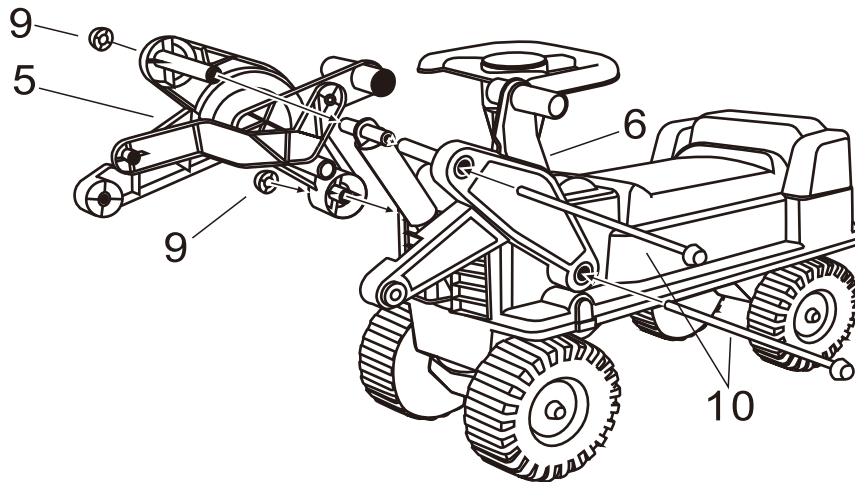
Imported by Aosom LLC

27150 SW Kinsman Rd Wilsonville, OR 97070 USA

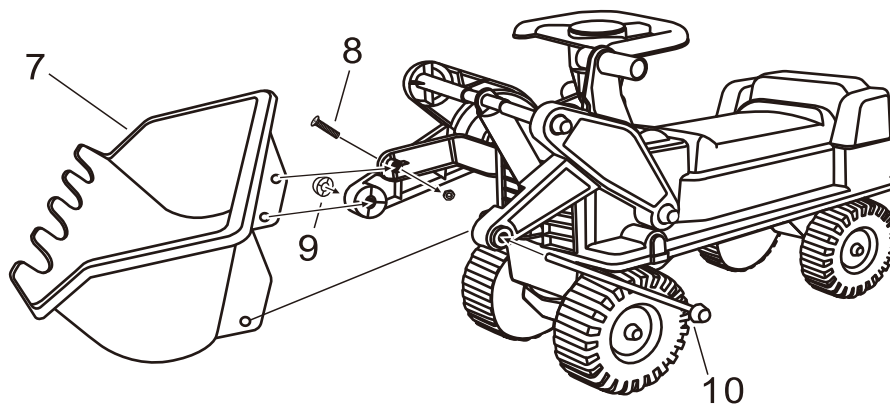
MADE IN CHINA



Assemble the steering wheel (NO. 2) to the Body (NO. 1) with a Screw (NO. 8), then set the spring (NO. 4) in the lifting-rod (NO. 3), assemble the lifting rod as the picture.

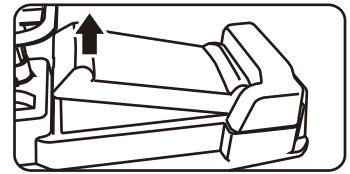


Assemble the right lifting arm (NO. 5) and left lifting arm (NO.6)to the body (NO.1) with two plunger (NO.10),lock the plunger with a plunger cover (NO.9).

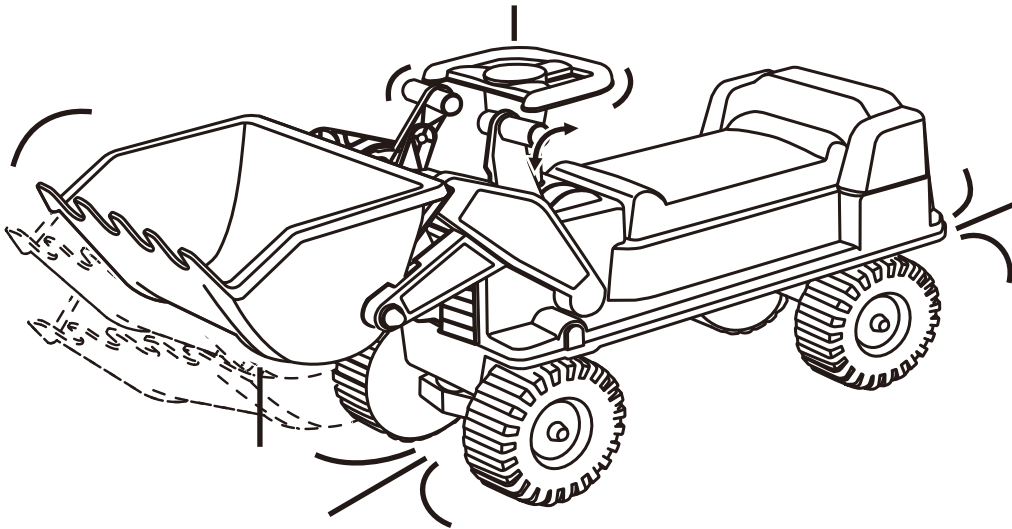


Assemble the shovel bucket(NO.7)to the lifting arm system with inserting a plunger (NO.10) and securely fastening a screw (NO.8)as in picture.

Functions



There is a storage box under the seat-lid.



- 1) Press down the horn button that on the middle of the steering wheel (NO.2), a lovely whistle sent.
- 2) The steering wheel (NO.2) can control the forward direction.
- 3) The left lifting arm (NO. 6) can control the shovel bucket (NO.7) to rise or fall. The right lifting arm (NO.5) can control the shovel bucket(NO.7) to load or unload.

