



IN230500363V01_US

820-389V80



Electric Fireplace Heater

Model	Voltage	Frequency	Power
YH-15(1)	120V~	60Hz	1500W

IMPORTANT, RETAIN FOR FUTURE REFERENCE: READ CAREFULLY

MANUAL INSTRUCTION

IMPORTANT INSTRUCTIONS

PLEASE READ ALL INSTRUCTIONS BEFORE USING THIS HEATER.

When switching on the appliance for the first time, allow it to run at full power for about two hours to get rid of the unpleasant smell. Make sure that the room in which the appliance is located is well ventilated during this operation. It is normal for the appliance to emit small cracking sounds when you turn it on if the first time.

Security Advice

When using electrical appliances, basic precautions should always be followed to reduce the risk of fire, electric shock, injury to persons, and hyperthermia, including the following:

1. Read all instructions before using this heater.
2. This heater is hot when in use. To avoid burns, do not let bare skin touch hot surfaces. Use handle when moving the unit. Keep flammable materials such as furniture, pillows, bedding, papers, clothes, and curtains at least 3 feet (0.9 m) from the front and top of the heater and keep them away from the sides and rear of the heater. Keep the rear grille away from walls or drapes so as not to block the air intake.
3. Extreme caution and supervision is necessary when any heater is used near children or invalids and whenever the heater is left operating and unattended.
4. Always unplug heater when not in use.
5. Do not use any heater with a damaged cord or plug or after the heater malfunctions or has been dropped or damaged in any manner. Discard heater or return to an authorized service facility for examination and/or repair.
6. Do not use outdoors.
7. This heater is not intended for use in bathrooms, laundry areas or other similar indoor locations. Never locate heater where it may fall into a bathtub or other water container.
8. Do not run cord under carpeting. Do not cover cord with throw rugs, runners, or similar coverings. Do not route cord under furniture or appliances. Arrange cord away from traffic areas and place it where it will not be tripped over.
9. To disconnect heater, turn controls to off, then remove plug from outlet.
10. This appliance has a polarized plug (one blade is wider than the other). This plug is intended to fit a polarized outlet only one way. If the plug does not fit fully in the outlet, reverse the plug. If it still does not fit, consult a qualified electrician. Do not connect the heater to extension cords, surge protectors, timers, direct breakers, or an outlet with other appliances connected to the same outlet. Risk of fire, overheat, malfunction, property damage, injury, or even death may result if not adhered to!
11. Connect to properly polarized outlets only.
12. Do not insert or allow foreign objects to enter ventilation or exhaust openings, as this may cause an electric shock or fire, or damage the heater.
13. To prevent a possible fire, do not block air intakes or exhaust in any manner. Do not use on soft surfaces, like a bed, where openings may become blocked.
14. A heater has hot and arcing or sparking parts inside. Do not use it in areas where gasoline, paint, or flammable liquids are used or stored.
15. Use this heater only as described in this manual. Any other use not recommended by the manufacturer may cause fire, electric shock, injury to persons or other damage to property.
16. This heater must be plugged into a 120V, 15 amp (or more) circuit of its own. Nothing else can be plugged into the same circuit. If unsure if your home meets this specification, consult a certified electrician prior to use. Risk of fire, overheat, malfunction, property damage, injury, or even death may result if not adhered to!

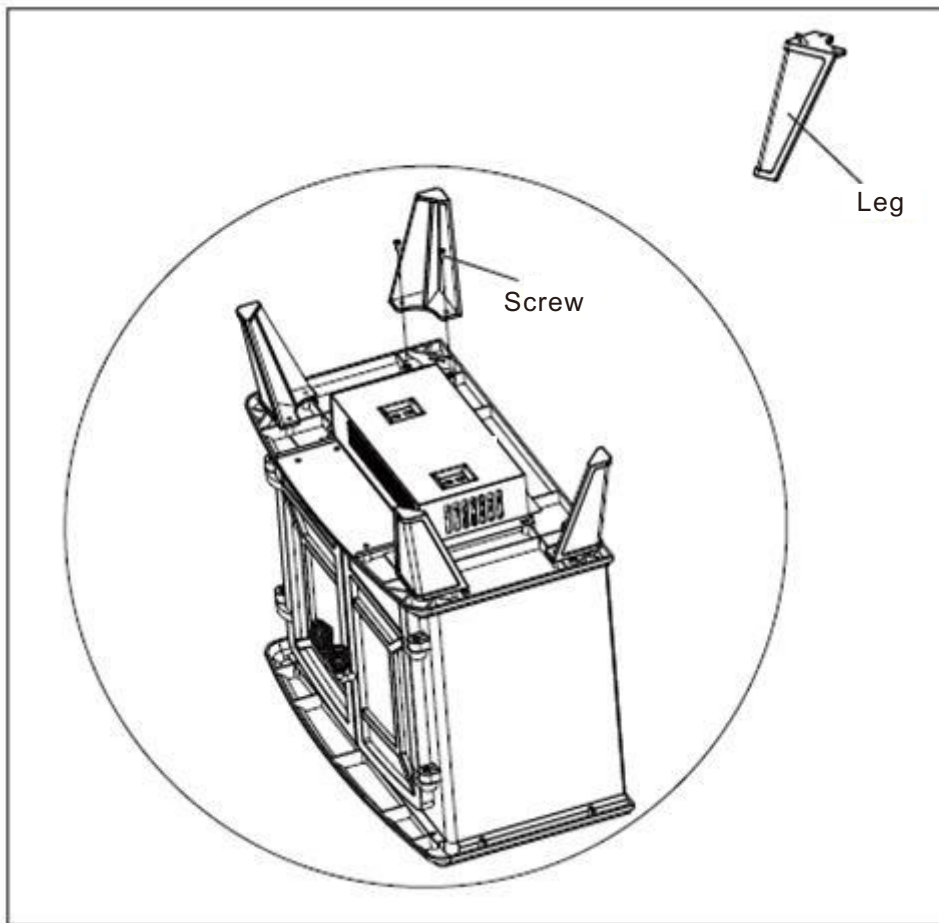
17. To prevent overload and blown fuses, be sure that no other appliance is plugged into the same outlet or into another outlet wired into the same circuit.
18. It is normal for the heater's plug and cord to feel warm to the touch. A plug or cord that becomes hot to the touch or becomes distorted in shape may be a result of a worn electrical outlet. Worn outlets or receptacles should be replaced prior to further use of the heater. Plugging heater into a worn outlet/receptacle may result in overheating of the power cord or fire.
19. Ensure the heater is on a stable, secure surface to eliminate the potential of tipping over.
20. Always plug heaters directly into a wall outlet/receptacle. Never use with an extension cord or relocatable power tap (outlet /power strip).
21. Be sure that the plug is fully inserted into appropriate receptacle. Please remember that receptacles also deteriorate due to aging and continuous use: check periodically for signs of overheating or deformations evidenced by the plug. Do not use the receptacle and CALL your electrician.
22. Check that neither the appliance nor the power cable has been damaged in any way during transportation.
23. Make sure that no pieces of polystyrene or other packaging material have been left between elements of the appliance. It may be necessary to pass over the appliance with a vacuum cleaner.
24. This appliance is not intended for use by persons (including children) with reduced physical, sensory or mental capabilities, or lack of experience and knowledge, unless they have been given supervision or instruction concerning use of the appliance by a person responsible for their safety. Children should be supervised to ensure that they do not play with the appliance.
25. Hyperthermia can result in death. Symptoms of hyperthermia include high body temperature, headache, nausea, vomiting, tiredness, dizziness, fainting, and rapid pulse. If you begin to experience symptoms related to hyperthermia, turn off the heater and seek medical attention.
26. To avoid excessive room temperatures which can cause hyperthermia: DO NOT leave product running unattended in a confined space around infants, or individuals with reduced physical, sensory, or mental capabilities.

CAUTION: To prevent electric shock, match wide blade of plug to wide slot, fully insert.

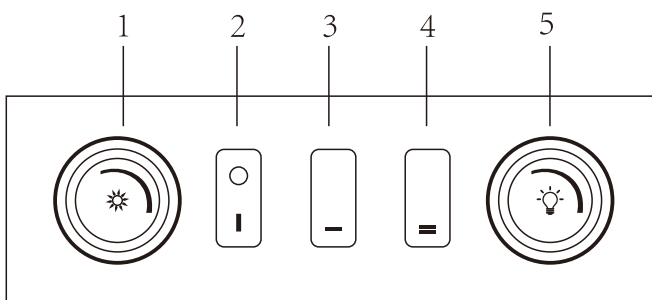
SAVE THESE INSTRUCTIONS





Before operating, Installation instructions:

The product must be installed on a flat, dry surface, after installing the 4 legs with the supplied screws , as follows:



Location of Controls



1. Thermostat control knob (TEMPERATURE SETTING) - Adjust to maintain room temperature.
2. Flame switch - Switches flame effect and power on/off .
3. Heating setting: please press “  ” for 1000W.
4. Heating setting : please press “  ” and “  ” at the same time for 1500W (can not operate without first press “  ”).
5. Flame dimmer control - Adjust to set flame intensity.

Overheating safe device

If the heater stops working, turn the heater off and inspect the blockage of inlet or outlet. Disconnect the plug and wait at least 10 minutes for the protection system to reset before attempting to restart the heater. If the safe device still switches the heater off and makes the heater fail to operate, take the heater to your nearest service center for examination or repair.

Attention: before restarting the heater, the plug must be disconnected for at least 10 minutes

Cleaning

1. Always disconnect the appliance from the main supply before cleaning.
2. Clean the outside of the heater by wiping with a damp or dry cloth.
3. Do not use petroleum, any other detergent or chemical solvent to clean the heater.
4. When the heater is not used for a long time, it should be protected from dust and stored in a clean dry place.

Disposal



Environmental Protection

Waste electrical production should not be disposed of with household waste. Please recycle where facilities exist. Check with your Local Authority or retailer for recycling advice.

US

If you have any questions, please contact our customer care center.
Our contact details are below:



001-877-644-9366



customerservice@aosom.com

Imported by Aosom LLC
27150 SW Kinsman Rd Wilsonville, OR 97070 USA
MADE IN CHINA

