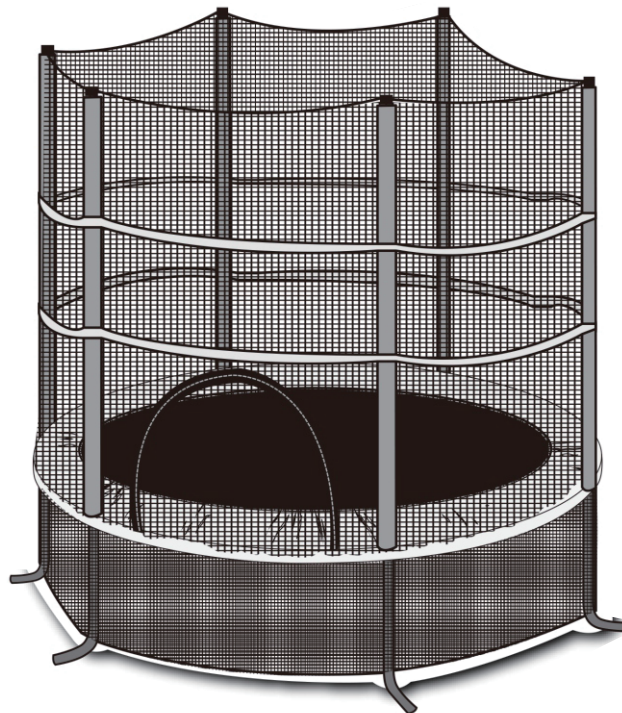




IN230500583V02_UK_FR_IT

53-0015_342-039

EN



55"TRAMPOLINE AND ENCLOSURE

⚠ WARNING:

Read these materials prior to assembling and using this trampoline and trampoline enclosure.

Keep this manual so you can refer to it later.

For use by children ages 3 to 6 years ONLY.

Maximum user weight 45kg/100lbs.

ADULT ASSEMBLY REQUIRED - Contains small parts, sharp points and sharp edges.

CHOKING HAZARD - Small parts - not for children under 3 yrs.



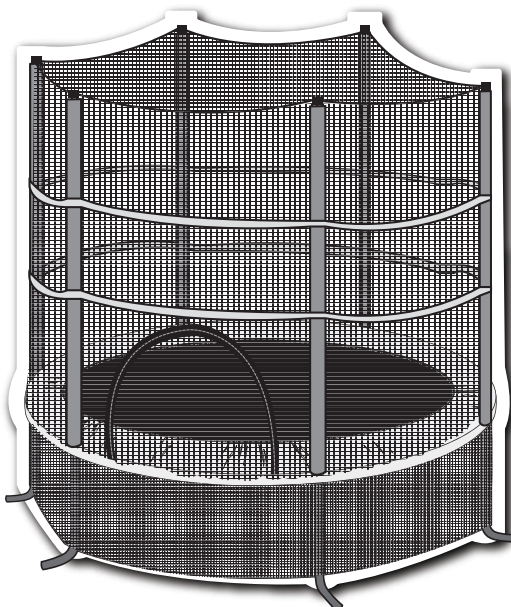
IMPORTANT, RETAIN FOR FUTURE REFERENCE: READ CAREFULLY

ASSEMBLY INSTRUCTION



WARNING:

Read these materials prior to assembling and using this trampoline.



Liability

While every attempt is made to embody the highest degree of protection in all equipment, we cannot guarantee freedom from injury. The user assumes all risk of injury due to use. All merchandise is sold on this condition, which no representative of the company can waive or change.



WARNING:

In addition to the instructions and precautions provided with your Trampoline, the following precautions must be observed while using the Trampoline Safety Enclosure.

- DO NOT attempt or allow somersaults on the Trampoline. Landing on the head or neck can cause serious injury, paralysis, or death, even when landing in the middle of the bed.
- Do not allow more than one person on the trampoline or inside the trampoline enclosure. Use by more than one person at the same time can result in serious injuries.
- The metal frame of the trampoline enclosure will conduct electricity. Lights, extension cords, and all such electrical equipment must never be allowed to come in contact with the enclosure.
- Inspect the enclosure before each use. Make sure the straps and all parts are correctly and securely positioned and attached. Tighten any loose hardware. Replace any worn, defective, or missing parts.
- Wear comfortable clothing free of hooks, snaps, drawstrings or anything which may snag or catch in the safety enclosure mesh. Remove jewelry, necklaces, and earrings.
- Climb on and off the trampoline only through the safety enclosure entrance and securely close entrance. Users, especially children, must not attempt to enter or exit between the trampoline frame and the enclosure. Doing this may pose a strangulation risk.
- Do not touch or rebound off the safety enclosure mesh while using the trampoline.
- Read all instructions and complete all assembly before allowing your child to use the trampoline & safety enclosure.
- Use trampoline and trampoline enclosure only with mature, knowledgeable adult supervision.

**For Recreational Use ONLY. Not for Professional Use.
Weight Limit for Trampoline & Enclosure User is 45kg.**



WARNING: Assembly and Installation Instructions

- ADULT ASSEMBLY REQUIRED - Contains small parts, sharp points and sharp edges.
- CHOKING HAZARD - Small parts - Not for children under 3 yrs.
- For use by children ages three (3) to six (6) ONLY.
- Maximum user weight is 45kg.
- Adequate overhead clearance is essential. A minimum of 8 ft from ground level is recommended. Provide clearance for wires, tree limbs, and other possible hazards.
- Lateral clearance is essential. Place the trampoline and trampoline enclosure away from walls, structures, fences, and other play areas. Maintain a clear space on all sides of the trampoline and trampoline enclosure. A minimum of six feet from frame edge is recommended.
- Never set-up the trampoline in heavy rain, wind or storm conditions, especially lightning storms. It is recommended that the trampoline be taken apart and stored in bad weather.
- Place the trampoline and trampoline enclosure on a level surface before use.
- Secure the trampoline and trampoline enclosure against unauthorized and unsupervised use.
- Remove any obstructions from beneath the trampoline and trampoline enclosure prior to use.
- The owner and supervisors of the trampoline and trampoline enclosure are responsible to make all users aware of practices specified in the "Use Instructions".



WARNING: Care and Maintenance Instructions

Inspect the trampoline and trampoline enclosure before each use and replace any worn, defective, or missing parts.

The following conditions could represent potential hazards:

1. Missing, improperly positioned, or insecurely attached frame padding, barrier or enclosure support system (frame) padding and pole caps.
2. Punctures, frays, tears, or holes worn in the bed or frame padding, barrier or enclosure support system (frame) padding and pole caps.
3. Deterioration in the stitching or fabric of the bed or frame padding, barrier or enclosure support system (frame) padding and pole caps.
4. Ruptured suspension cords.
5. A bent or broken frame or support system.
6. A sagging barrier or bed.
7. Sharp protrusions on the frame or suspension system, or
8. Loosened or missing hardware. Always make sure hardware is tight before each use.



WARNING: Use Instructions

- DO NOT attempt or allow somersaults on the Trampoline. Landing on the head or neck can cause serious injury, paralysis, or death, even when landing in the middle of the bed.
- Do not allow more than one person on the trampoline or inside the trampoline enclosure. Use by more than one person at the same time can result in serious injuries.
- Keep objects away which could interfere with the performer. Maintain a clear area around the trampoline. Do not allow foreign objects or animals on the trampoline.
- Children should only use trampoline and trampoline enclosure with mature, knowledgeable adult supervision.
- Trampoline is for use by children ages three (3) to six (6).
- The trampoline should be assembled in its entirety before each use. All suspension cords must be attached to the frame. The frame cover must be correctly positioned at all times.
- Never set-up the trampoline in heavy rain, wind or storm conditions, especially lightning storms. It is recommended that the trampoline be taken apart and stored in bad weather.
- Inspect the trampoline & enclosure before each use. Make sure the frame cover, barrier mesh, and enclosure support padding are correctly and securely positioned. Replace any worn, defective or missing parts.
- The metal frame of the trampoline and trampoline enclosure will conduct electricity. Lights, extension cords, and all such electrical equipment must never be allowed to come in contact with the trampoline or trampoline enclosure.
- Wear comfortable clothing. Remove jewelry, necklaces, and earrings. Wear clothing free of drawstrings, hooks, loops or anything that could get caught in the barrier mesh.
- Enter and exit the enclosure only at the enclosure door or barrier opening designated for that purpose. It is dangerous practice to jump from the trampoline to the ground or floor when dismounting, or to jump onto the trampoline when mounting. Do not use the trampoline as a springboard to other objects.
- Stop bounce by flexing knees as feet come in contact with the trampoline bed. Learn this skill before attempting others.
- Avoid bouncing too high. Stay low until bounce control and repeated landing in the center of the trampoline can be accomplished. Control is more important than height.
- While keeping the head erect, focus eyes on the trampoline toward the perimeter. This will help control bounce.
- Avoid bouncing when tired. Keep turns short.
- Properly secure the trampoline when not in use. Protect it against unauthorized use.
- The adult supervisor must not be under the influence of alcohol or drugs.
- For additional information concerning the trampoline equipment, contact the manufacturer.
- For information concerning skill training, contact a certified trampoline instructor.
- Bounce only when the surface of the bed is dry. Wind or air movement should be calm to gentle. The trampoline must not be used in gusty or severe winds. The trampoline should be taken apart or stored indoors during these types of weather conditions.
- Read all instructions before using the trampoline and trampoline enclosure. Warnings and instructions for care, maintenance, and use of this trampoline and trampoline enclosure are included to promote safe, enjoyable use of this equipment.
- Do not intentionally bounce off the barrier.
- Do not attempt to jump over barrier or attempt to crawl under barrier.
- Do not hang from, kick, cut or climb on barrier.
- Do not attach anything to the barrier that is not a manufacturer approved accessory or part of the enclosure system.

Trampoline Safety and Accident Prevention

As in most recreational sport, participants may be injured. This section covers the most common accidents. Responsibilities of the supervisors and jumpers in accident prevention are also outlined.

The following are reasons why accidents happen:

- **Attempting somersaults.** Landing on the head or neck can cause serious injury, paralysis, or death, even when landing in the middle of the bed.
- **More than one person on the trampoline.** Use by more than one person at the same time can result in serious injuries.
- **Incorrect mounting and dismounting.** Carefully crawl out of and into the trampoline bed. Do not jump off to the ground. Do not jump from a roof, or other object onto the trampoline. Small children may need assistance to get on or off the trampoline. Do not step onto the suspension system.
- **Hitting the frame.** Stay in the center of the trampoline when jumping. Injury may result from hitting the frame when control is lost. Be sure the frame cover is always on and the pads securely fastened. Do not jump directly onto the frame pad.
- **Loss of control.** A jumper who loses control will increase his/her chance of injury. Be sure to familiarize yourself with the basic jumps before doing more difficult ones. Jumps should be mastered, performed repeatedly before moving on to the next level. To regain control and stop your jump, bend your knees sharply as you land.
- **The adult supervisor must not be under the influence of alcohol or drugs.**
- **Foreign objects.** Please make sure there is nothing sharp under and around the trampoline. Hitting objects under the trampoline can cause injury. Jumping with a foreign object can also increase the chances of getting injured. Be sure there is adequate clearance 8 feet above and 6 feet around the trampoline. Be careful of overhead wires, tree limbs etc.
- **Bad weather.** Do not use your trampoline in gusty winds or inclement weather. The bed should not be wet.
- **Poor maintenance of the trampoline.** Make sure you inspect the trampoline before every use. Check for punctures on the bed, sharp burrs on the frame, stitching that has gone bad or loose elastic bands. If a replacement part is needed, please call our hotline to order.
- **Unlimited access.** The trampoline should be covered or dis-assembled when not in use. This will prevent unsupervised small children from using the trampoline.

Owner's & Supervisor's Role in Preventing Injuries & Responsibilities

The supervisor's role is to make sure the users know all the safety rules as well as learn the basic, fundamental bounces. They need to enforce all the safety rules and warnings in the manual, frame and labels. When a supervisor is not available, the trampoline may be dis-assembled or covered to limit access. It is the supervisor's responsibility that the placards with the Trampoline Safety Tips and Enclosure Safety tips are reviewed and all jumpers are informed about the tips.

User's Role in Preventing Injuries & Responsibilities

The jumper must first learn all of the basic, fundamental bounces before attempting more difficult ones. Low, controlled bounces are a good start before learning the basic landing positions and combinations. Jumpers need to understand that control is key to a successful jump. Following the tips in the placard is important. Contact a certified trampoline instructor for more information.

PARTS LIST



A - 6pcs.



G - 30pcs.



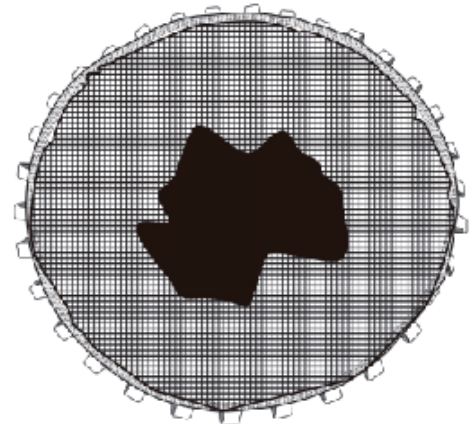
B - 6pcs.



H - 6pcs.



C - 6pcs.



J - 1pc.



D - 6pcs.



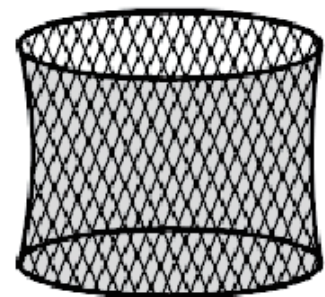
E - 30pcs.



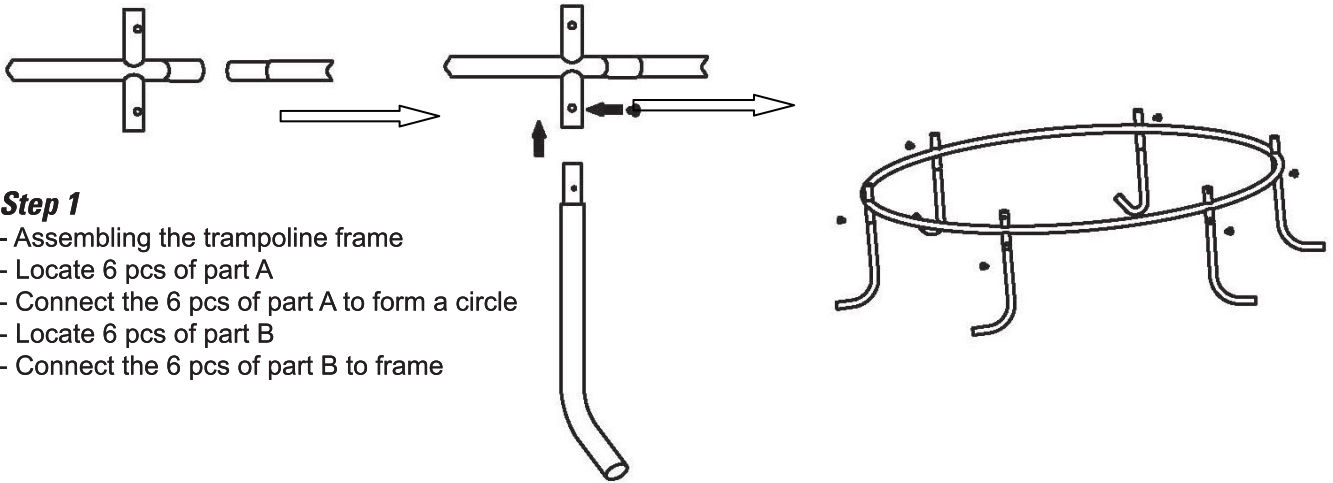
K - 12pcs.



F - 1pc.

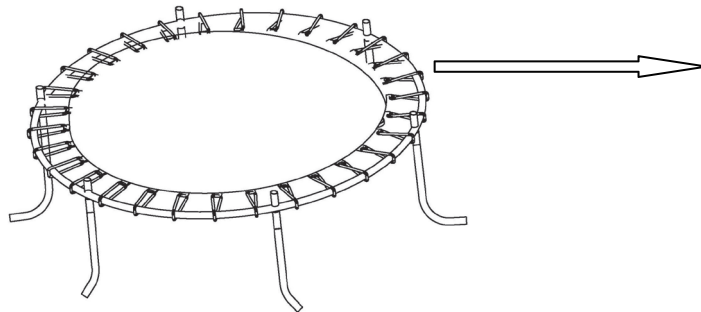


L-1pc



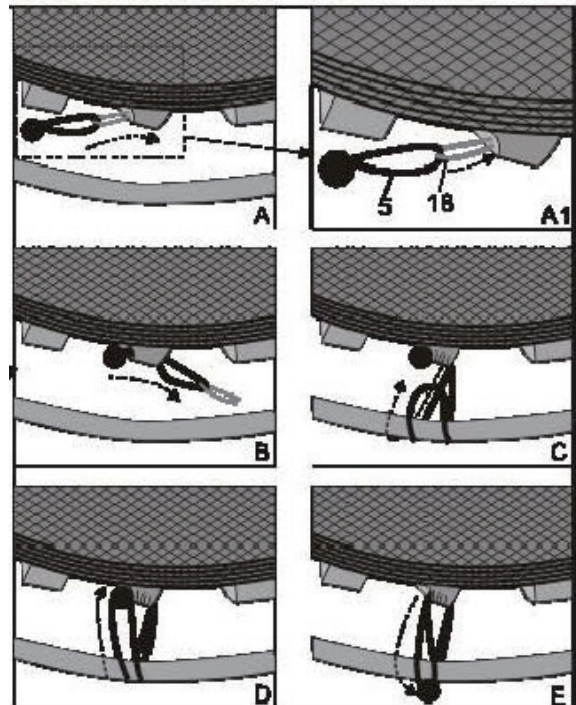
Step 1

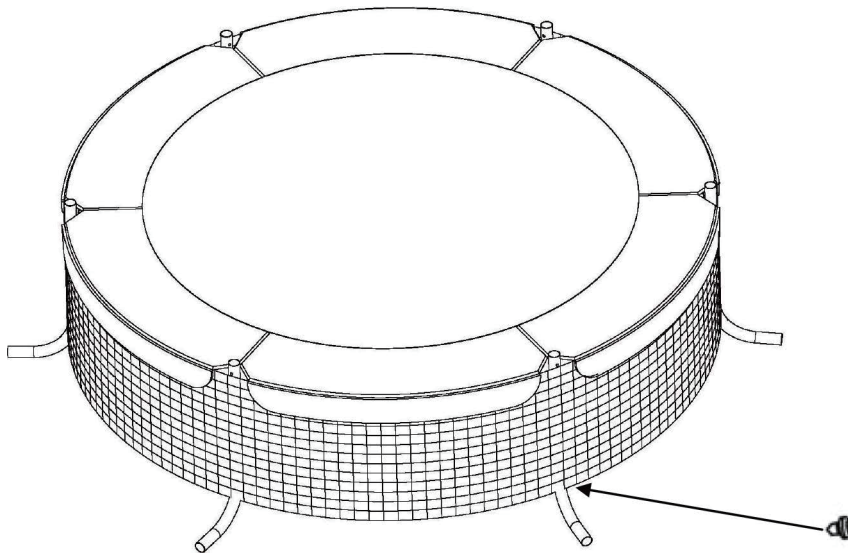
- Assembling the trampoline frame
- Locate 6 pcs of part A
- Connect the 6 pcs of part A to form a circle
- Locate 6 pcs of part B
- Connect the 6 pcs of part B to frame



Step 2

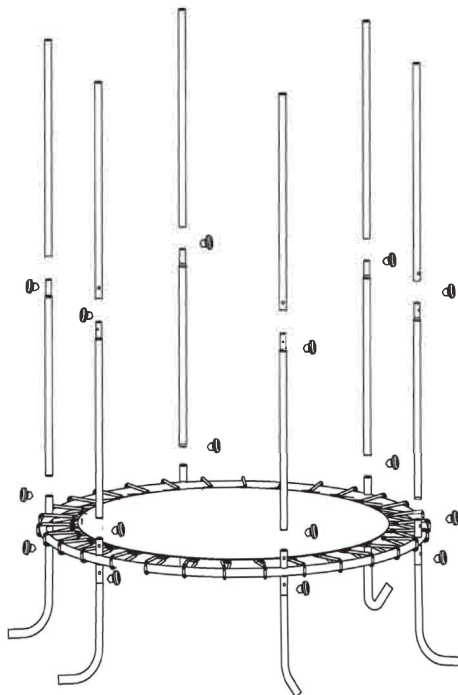
- Locate the 30 pcs of part G
 - Locate the 1 pc of part J
 - Fasten the BounceSafe bands (G) to the jumping mat (J) and circular frame
- (Helpful Tip: fasten 1 BounceSafe band at the 12, 3, 6, 9 o'clock position on the circular frame to start)





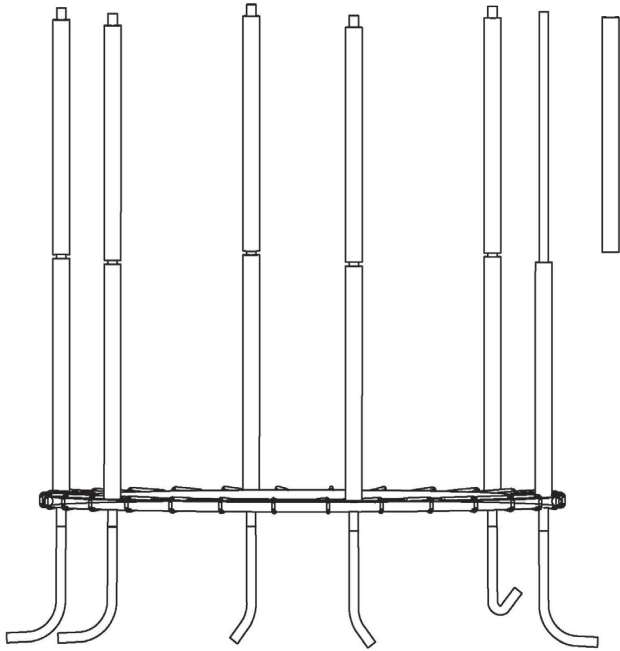
Step 3

- Locate 1 pc of part F
- Place the protective pad over the circular frame. Make sure the holes are aligned with the part B leg tubes
- Pull the leg enclosure down over the part B evenly
- Locate 6 pcs of part E
- Screw part E into the rivets that are sewn into the leg enclosure



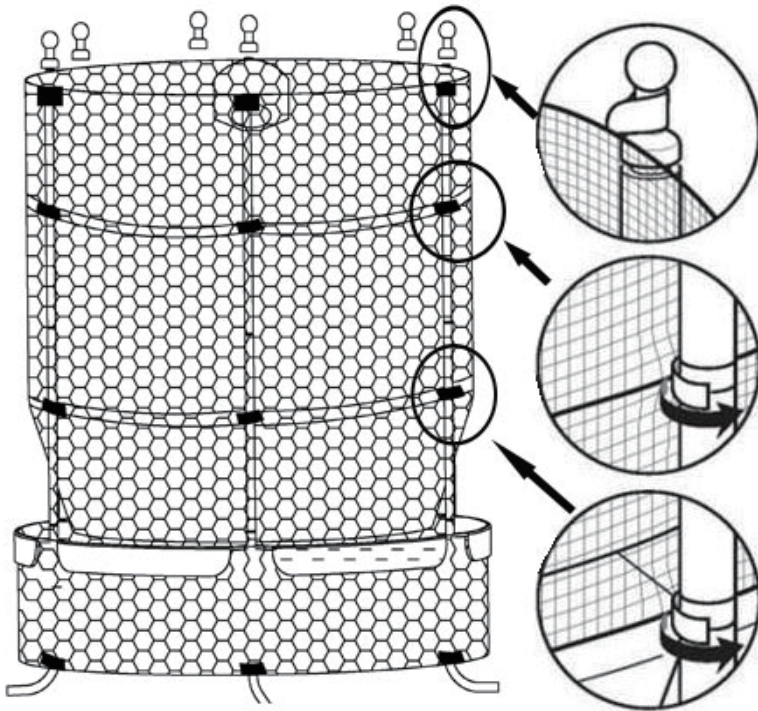
Step 4

- Locate 6 pcs of part C
- Assemble part C (Bottom Tube) to the 6 locations on the circular frame
- Locate 6 pcs of part D
- Assemble part D (Upper Tube) to the 6 bottom tubes
- Locate 12 pcs of part E
- Rotate tubes and match up the holes
- Screw part E into the matched holes in 12 locations on enclosure tubes



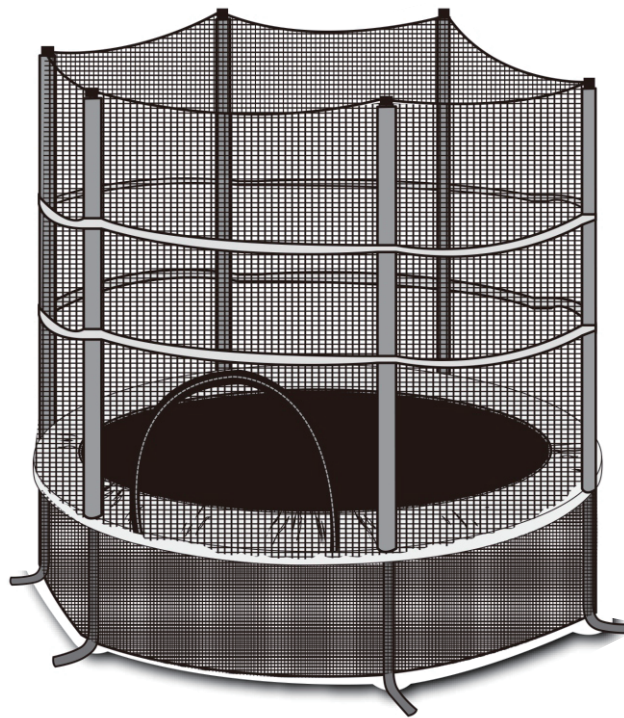
Step 5

- Locate 12 pcs of part K
- Slide 2 pcs of part K onto each of the 6 enclosure tubes



Step 6

- Locate 6 pcs of part H
- Place 1 Cap (part H) on top of each of the enclosure tubes
- Locate 6 enclosure loops and fix them to Caps (part H)
- Locate straps on the enclosures middle sections and secure them to the enclosure tubes as viewed in 3 circle images below



TRAMPOLINE DE 55" AVEC ENCEINTE

**AVERTISSEMENT :**

Avant d'assembler et d'utiliser ce trampoline et son enceinte de sécurité, vous devez lire cette documentation. Conservez ce manuel pour référence future.

Produit conçu **UNIQUEMENT** pour des enfants de 3 à 6 ans.

Le poids des utilisateurs ne doit pas dépasser 45kg.

UN ASSEMBLAGE PAR UN ADULTE EST NECESSAIRE. Contient de petites pièces, des extrémités pointues et des rebords coupants.

DANGER DE SUFFOCATION. Contient de petites pièces.

Ce produit n'est pas recommandé aux enfants de moins de 3 ans.



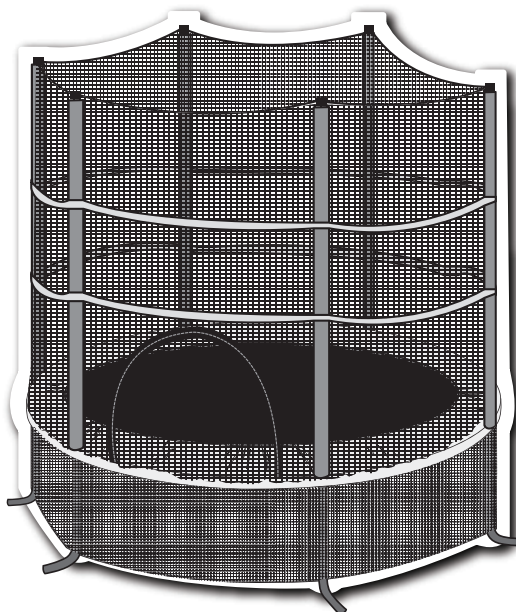
**IMPORTANT - CONSERVEZ CES INFORMATIONS
POUR VOTRE CONSULTATION ULTÉRIEURE: LISEZ ATTENTIVEMENT**

INSTRUCTIONS D'ASSEMBLAGE



AVERTISSEMENT :

Avant d'assembler et d'utiliser ce trampoline, vous devez lire cette documentation.



Responsabilité

Même si nous faisons en sorte d'offrir une protection maximale sur tous les équipements, nous ne pouvons garantir une absence totale de blessures. L'utilisateur assume tous les risques de blessure associés à l'utilisation du produit. Tous nos produits sont vendus sous cette condition, laquelle ne peut être modifiée ou annulée par aucun représentant de l'entreprise.



AVERTISSEMENT

Outres les instructions et les consignes de sécurité accompagnant le trampoline, vous devez également observer les consignes suivantes lorsque vous utilisez l'enceinte de sécurité.

- Ne tentez JAMAIS et ne permettez pas à quelqu'un de faire des sauts périlleux ou des culbutes. Un atterrissage sur la tête ou le cou peut causer une paralysie et d'autres blessures graves, voire mortelles, même au centre du tapis du trampoline.
- Ne permettez pas à plus d'une personne de sauter simultanément sur le trampoline ou d'entrer dans l'enceinte de sécurité. Une utilisation simultanée par plusieurs sauteurs peut causer des blessures graves.
- L'armature métallique de l'enceinte de sécurité est conductrice d'électricité. Les lampes, les rallonges électriques et les autres appareils électriques ne doivent jamais entrer en contact avec l'enceinte.
- Inspecter l'enceinte avant chaque utilisation. Assurez-vous que toutes les sangles et toutes les pièces sont correctement et solidement installées. Serrez toutes les fixations mal serrées. Remplacez les pièces usées, défectueuses ou manquantes.
- Portez des vêtements confortables sans crochet, bouton pression, cordon de serrage ou tout autre accessoire pouvant s'accrocher ou se coincer dans le filet de l'enceinte. Enlevez vos bijoux, colliers et boucles d'oreilles.
- Montez et descendez du trampoline uniquement par l'entrée de l'enceinte de sécurité et fermez solidement l'entrée après chaque passage. Aucun utilisateur, particulièrement un enfant, ne doit tenter de monter ou descendre du trampoline en passant entre l'armature du trampoline et l'enceinte de sécurité car l'utilisateur risquerait alors de s'étrangler.
- Un utilisateur sautant sur le trampoline ne doit jamais toucher ou se laisser rebondir sur le filet de l'enceinte de sécurité.
- Vous devez lire toutes les instructions et terminer complètement tout l'assemblage du trampoline et de l'enceinte de sécurité avant de laisser un enfant y sauter.
- Le trampoline et son enceinte de sécurité doivent toujours être utilisés sous la supervision d'un adulte mature et bien informé.

Produit conçu UNIQUEMENT pour un usage récréatif. Ce produit n'est pas adapté à un usage professionnel. Le poids des utilisateurs du trampoline et de l'enceinte de sécurité ne doit pas dépasser 45 kg .



AVERTISSEMENT: **Instructions d'assemblage et d'installation**

- UN ASSEMBLAGE PAR DES ADULTES EST NÉCESSAIRE. Contient de petites pièces, des extrémités pointues et des rebords coupants.
- DANGER DE SUFFOCATION. Contient de petites pièces. Ce produit n'est pas recommandé aux enfants de moins de 3 ans.
- Produit conçu **UNIQUEMENT** pour des enfants de 3 à 6 ans.
- Le poids des utilisateurs ne doit pas dépasser 45 kg .
- Il doit y avoir une hauteur libre adéquate au-dessus du trampoline. Une hauteur libre d'au moins 2,44 m (8 pieds) au-dessus du sol est nécessaire. Assurez-vous qu'il n'y a pas de fil électrique, de branche d'arbre ou d'autre objet dangereux.
- Un dégagement latéral est également essentiel. Placez le trampoline et son enceinte de sécurité à bonne distance des murs, des aires de jeu et de toute structure ou clôture. Laissez un espace libre sur tous les côtés du trampoline et de son enceinte de sécurité. Il est recommandé de prévoir un dégagement d'au moins 1,83 m (6 pieds) autour du rebord de l'armature.
- Vous ne devez jamais installer le trampoline lorsqu'il pleut ou lorsqu'il vente, particulièrement durant un orage électrique. Lorsque le temps est mauvais, il est recommandé de démonter et de ranger le trampoline.
- Avant l'utilisation, assurez-vous que le trampoline et son enceinte de sécurité sont installés sur une surface plane.
- Assurez-vous que le trampoline et son enceinte de sécurité ne peuvent pas être utilisés sans autorisation ou sans supervision.
- Avant toute utilisation, enlevez les objets pouvant causer une obstruction sous le trampoline et son enceinte de sécurité.
- Le propriétaire du trampoline et les surveillants ont la responsabilité de communiquer à tous les utilisateurs les consignes figurant dans les « instructions d'utilisation ».



AVERTISSEMENT: **Instructions d'entretien**

Inspectez le trampoline et son enceinte avant chaque utilisation et remplacez toutes les pièces usées, défectueuses ou manquantes.

Les conditions ci-dessous présentent des dangers :

1. Coussin d'armature, barrière de protection, barres d'enceinte ou capuchons de poteau manquants, mal installés ou desserrés.
2. Perforations, fils effilochés, déchirures ou trous d'usure dans le tapis ou un coussin d'armature, sur une barrière de protection, sur les barres d'enceinte ou sur les capuchons de poteau.
3. Détériorations des coutures ou de la toile sur le tapis ou un coussin d'armature, sur une barrière de protection, sur les barres d'enceinte ou sur les capuchons de poteau.
4. Rupture d'une corde de tension.
5. Pièce d'armature ou de soutien déformée ou cassée.
6. Barrière de protection ou tapis affaissé.
7. Saillies pointues sur l'armature ou sur le système de tension.
8. Fixation desserrée ou manquante. Avant chaque utilisation, vérifiez la solidité de toutes les fixations.



AVERTISSEMENT : **Instructions d'utilisation**

- Ne tentez JAMAIS et ne permettez pas à quelqu'un de faire des sauts périlleux ou des culbutes. Un atterrissage sur la tête ou le cou peut causer une paralysie et d'autres blessures graves, voire mortelles, même au centre du tapis du trampoline.
- Ne permettez pas à plus d'une personne de sauter simultanément sur le trampoline ou d'entrer dans l'enceinte de sécurité. Une utilisation simultanée par plusieurs sauteurs peut causer des blessures graves.
- À proximité du trampoline, il ne doit y avoir aucun objet susceptible de gêner le sauteur. Gardez un espace libre autour du trampoline. Ne permettez pas de faire monter des objets ou des animaux sur le trampoline.
- Le trampoline et son enceinte de sécurité doivent toujours être utilisés par des enfants sous la supervision d'un adulte mature et bien informé.
- Ce trampoline est conçu uniquement pour des enfants de 3 à 6 ans.
- Le trampoline doit être entièrement assemblé avant chaque utilisation. Toutes les cordes de tension doivent être fixées à l'armature. La housse protectrice doit toujours être correctement installée.
- Vous ne devez jamais installer le trampoline lorsqu'il pleut ou lorsqu'il vente, particulièrement durant un orage électrique. Lorsque le temps est mauvais, il est recommandé de démonter et de ranger le trampoline.
- Inspectez le trampoline et l'enceinte avant chaque utilisation. Assurez-vous que la housse protectrice, le filet de l'enceinte et les coussins de l'armature de l'enceinte sont correctement et solidement installés. Remplacez les pièces usées, défectueuses ou manquantes.
- L'armature métallique du trampoline et de l'enceinte de sécurité est conductrice d'électricité. Les lampes, les rallonges électriques et les autres appareils électriques ne doivent jamais entrer en contact avec le trampoline ni avec l'enceinte.
- Portez des vêtements confortables. Enlevez vos bijoux, colliers et boucles d'oreilles. Portez des vêtements sans crochet, bouton pression, cordon de serrage ou tout autre accessoire pouvant s'accrocher ou se coincer dans le filet de l'enceinte.
- Entrez et sortez de l'enceinte de sécurité uniquement par la porte ou l'ouverture prévue à cet effet. Il est dangereux de descendre en sautant directement du trampoline sur le sol ou de monter sur le trampoline en bondissant. Ne vous servez jamais du trampoline comme d'un tremplin vers d'autres objets.
- Pour arrêter de rebondir, pliez les genoux au moment où les pieds entrent en contact avec le tapis. Apprenez ce mouvement avant de tenter des figures.
- Évitez de sauter trop haut. Demeurez à une hauteur modérée jusqu'à ce que vous puissiez contrôler vos rebonds et atterrir toujours au centre du trampoline. Le contrôle est plus important que la hauteur.
- Tout en gardant la tête droite, maintenez votre regard sur le trampoline, à proximité du périmètre, ce qui vous permettra de mieux contrôler vos sauts.
- Évitez de sauter lorsque vous êtes fatigué(e). Le tour de chaque sauteur doit être court.
- Entre les utilisations, rangez correctement le trampoline. Protégez-le contre les utilisations non autorisées.
- L'adulte superviseur ne doit pas être sous l'influence d'alcool ou de drogue.
- Pour de plus amples informations sur les équipements disponibles, adressez-vous au fabricant.
- Pour de plus amples informations sur une formation qualifiée, contactez un instructeur professionnel agréé.
- Sautez uniquement lorsque la surface du tapis est sèche. Le vent et les courants d'air doivent être faibles ou nuls. Le trampoline ne doit pas être utilisé lorsqu'il y a un vent fort ou des rafales. Lorsque le temps est mauvais, il est recommandé de démonter le trampoline et de le ranger à l'abri.
- Avant d'utiliser le trampoline et son enceinte de sécurité, il est important de lire toutes les instructions. Le trampoline est fourni avec des consignes de sécurité, d'entretien et d'utilisation, afin qu'il soit utilisé de façon sécuritaire et agréable.
- Les utilisateurs ne doivent pas intentionnellement se laisser rebondir sur l'enceinte de sécurité.
- Ne tentez pas de sauter au-dessus de l'enceinte ni de ramper sous le filet.
- Personne ne doit jamais se suspendre, donner des coups de pieds, couper des mailles ou grimper sur le filet de l'enceinte de sécurité.
- Il est interdit d'installer sur l'enceinte de sécurité d'autres objets que les accessoires et les composants autorisés par le fabricant.

Sécurité et prévention des accidents sur un trampoline

Comme dans la plupart des sports, les participants risquent d'être blessés. Cette section traite des accidents les plus courants. Elle décrit également les responsabilités des surveillants et des sauteurs concernant la prévention des accidents.

Voici une liste des principales causes d'accidents :

- **Tenter des sauts périlleux (saltos).** Un atterrissage sur la tête ou le cou peut causer une paralysie et d'autres blessures graves, voire mortelles, même au centre du tapis du trampoline.
- **Plusieurs sauteurs sur le trampoline.** Une utilisation simultanée par plusieurs sauteurs peut causer des blessures graves.
- **Mauvaise façon de monter et descendre.** Vous devez prudemment utiliser vos mains et ramper pour monter ou descendre du trampoline. Ne sautez jamais du trampoline au sol. Ne sautez jamais sur le trampoline à partir d'un toit ou d'un autre objet. Les petits enfants auront peut-être besoin d'aide pour monter ou descendre du trampoline. Ne sautez pas sur le système de tension.
- **Choc sur l'armature.** Lorsque vous sautez, demeurez au centre du tapis. Certains sauteurs se blessent en heurtant l'armature après avoir perdu le contrôle d'un saut. Assurez-vous que la housse protectrice recouvre entièrement l'armature et que les coussins sont solidement fixés. Ne sautez pas directement sur un coussin de sécurité.
- **Perte de contrôle.** Un sauteur qui perd le contrôle accroît ses risques de blessure. Assurez-vous de bien maîtriser les sauts de base avant de passer aux plus difficiles. Il est important de maîtriser et répéter plusieurs fois chaque saut avant de passer au niveau suivant. Pour reprendre le contrôle de vos sauts et arrêter de rebondir, pliez fortement vos genoux lorsque vous atterrissez.
- **L'adulte superviseur ne doit pas être sous l'influence d'alcool ou de drogue.**
- **Objets extérieurs.** Assurez-vous qu'il n'y a aucun objet pointu en dessous et autour du trampoline. Certains sauteurs se blessent en heurtant un objet sous le trampoline. En outre, les risques de blessures augmentent lorsqu'un utilisateur saute en portant un objet. Assurez-vous qu'il y a un dégagement de 2,5 m (8 pi) au-dessus du trampoline et 1,83 m (6 pi) autour du trampoline. Faites attention aux fils électriques, aux branches d'arbre, etc.
- **Conditions atmosphériques.** N'utilisez pas le trampoline lorsqu'il y a des rafales de vent ni lorsqu'il fait mauvais. Le tapis ne doit pas être humide.
- **Mauvais entretien du trampoline.** N'oubliez pas d'inspecter le trampoline avant chaque utilisation. Vérifiez si le tapis est percé, si l'armature présente des ébarbures, si les coutures sont usées ou si une sangle élastique est endommagée. Si une pièce de rechange est nécessaire, veuillez la commander auprès de notre centre d'assistance téléphonique.
- **Accès non restreint.** Entre les utilisations, le trampoline doit être recouvert ou démonté. Vous éviterez ainsi que de petits enfants utilisent le trampoline sans surveillance.

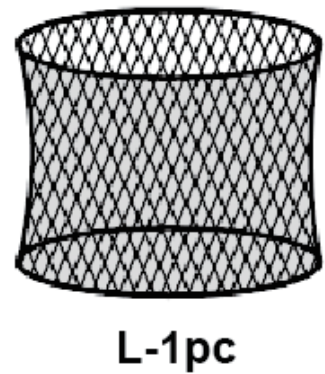
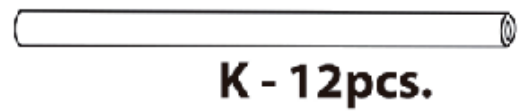
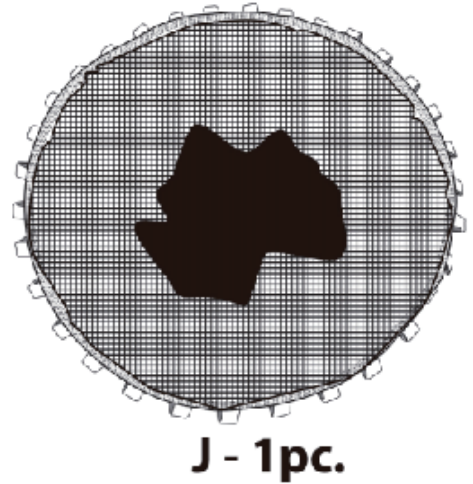
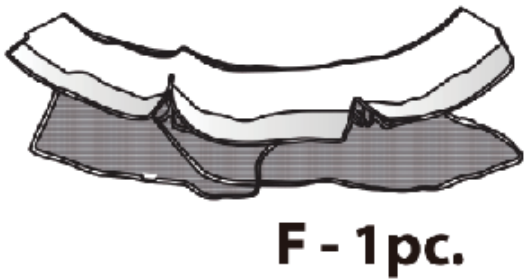
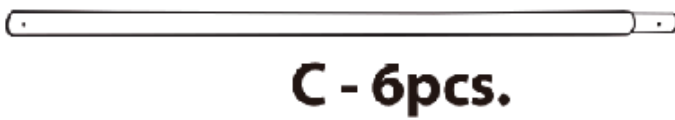
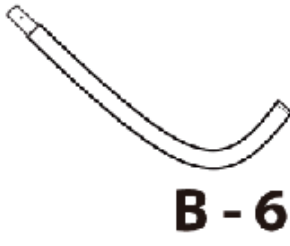
Rôle et responsabilités du propriétaire et du surveillant concernant la prévention des blessures

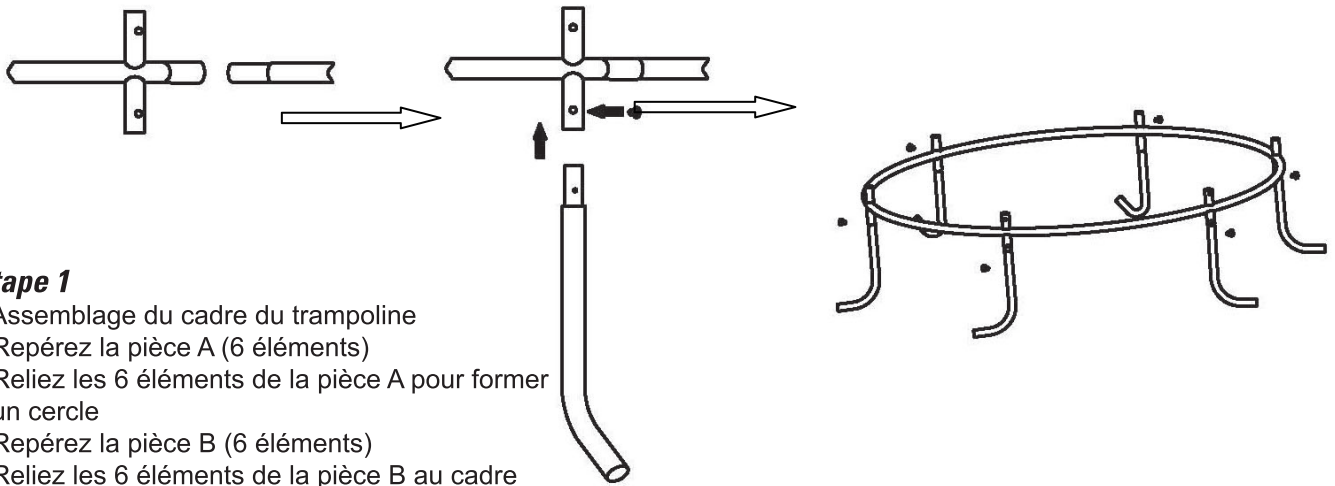
Le surveillant doit s'assurer que les sauteurs connaissent toutes les règles de sécurité et qu'ils apprennent correctement les sauts de base. Il doit veiller à l'application de toutes les règles et consignes de sécurité apparaissant dans le manuel, sur l'armature et sur les étiquettes. Lorsque aucun surveillant n'est disponible, le trampoline doit être démonté ou recouvert pour en limiter l'accès. Le surveillant doit également s'assurer que les sauteurs voient et lisent bien les affiches énumérant toutes les règles de sécurité du trampoline et de l'enceinte de sécurité.

Rôle et responsabilités de l'utilisateur concernant la prévention des blessures

Les sauteurs doivent apprendre tous les sauts de base avant d'essayer les plus difficiles. Commencez par exécuter de petits sauts contrôlés avant d'apprendre les diverses positions d'atterrissage et les combinaisons. Les sauteurs doivent comprendre que le contrôle est essentiel pour réussir des sauts. Il est important de suivre les conseils apparaissant sur les affiches. Pour de plus amples informations, consultez un instructeur agréé en trampoline.

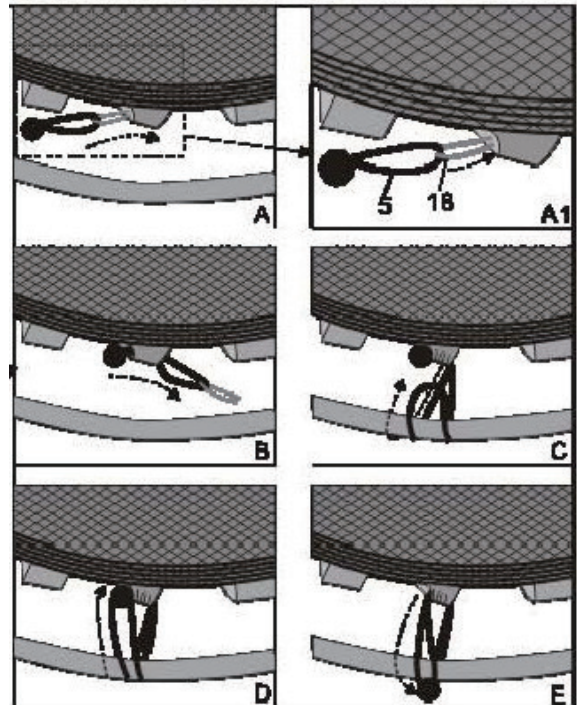
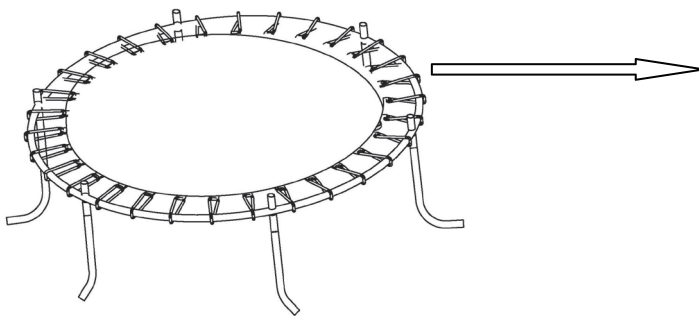
LISTE DE PIECES





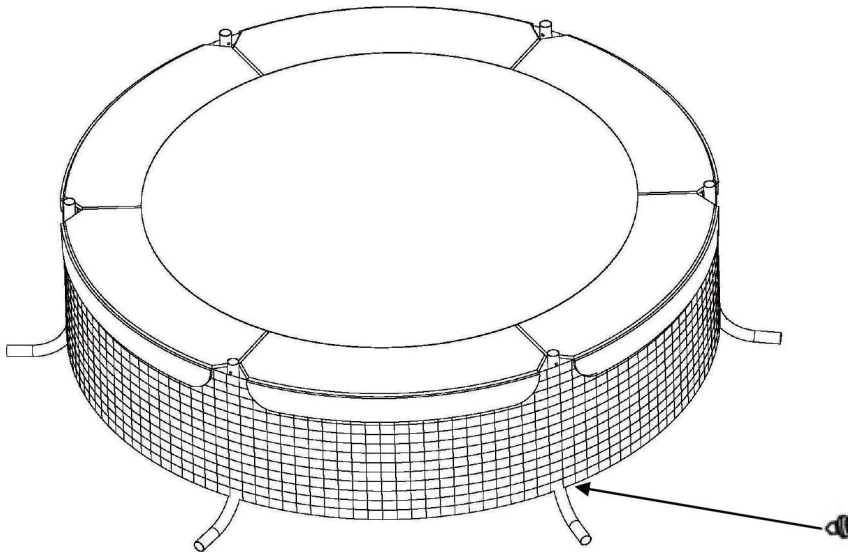
Étape 1

- Assemblage du cadre du trampoline
- Repérez la pièce A (6 éléments)
- Reliez les 6 éléments de la pièce A pour former un cercle
- Repérez la pièce B (6 éléments)
- Reliez les 6 éléments de la pièce B au cadre



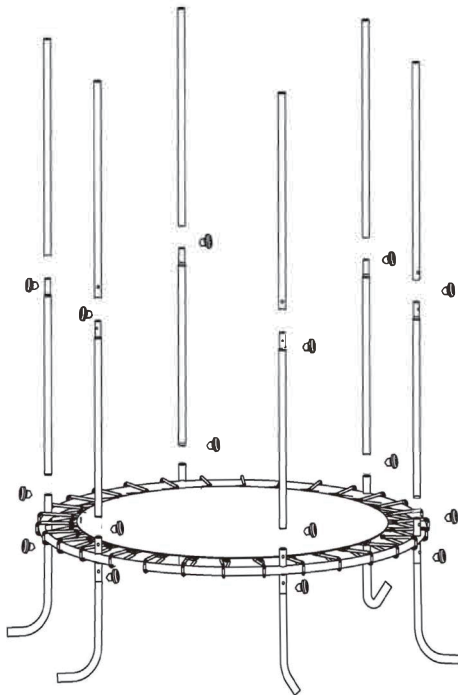
Étape 2

- Repérez la pièce G(30 éléments)
 - Repérez la pièce F (1 élément)
 - Attachez les élastiques BounceSafe (G) à la toile de saut(J) et au cadre circulaire
- (Conseil utile : attachez 1 élastique BounceSafe aux positions de 12, 3, 6, 9 heures du cadre circulaire pour commencer)



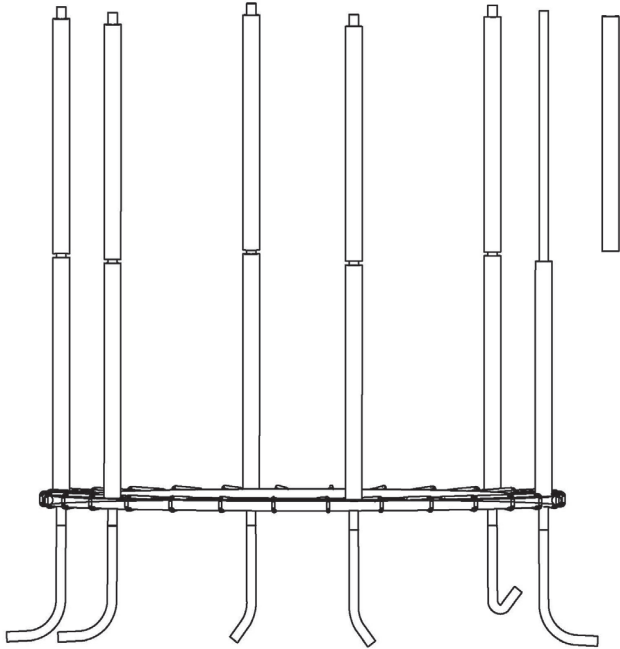
Etape 3

- Repérez la pièce F (1 élément)
- Posez le coussin de protection sur le cadre circulaire. Assurez-vous d'aligner les trous sur les tubes de pied de la pièce B
- Baissez l'enceinte de pied uniformément sur la pièce B
- Repérez la pièce E (6 éléments)
- Vissez la pièce E dans les rivets qui sont cousus dans l'enceinte de pied



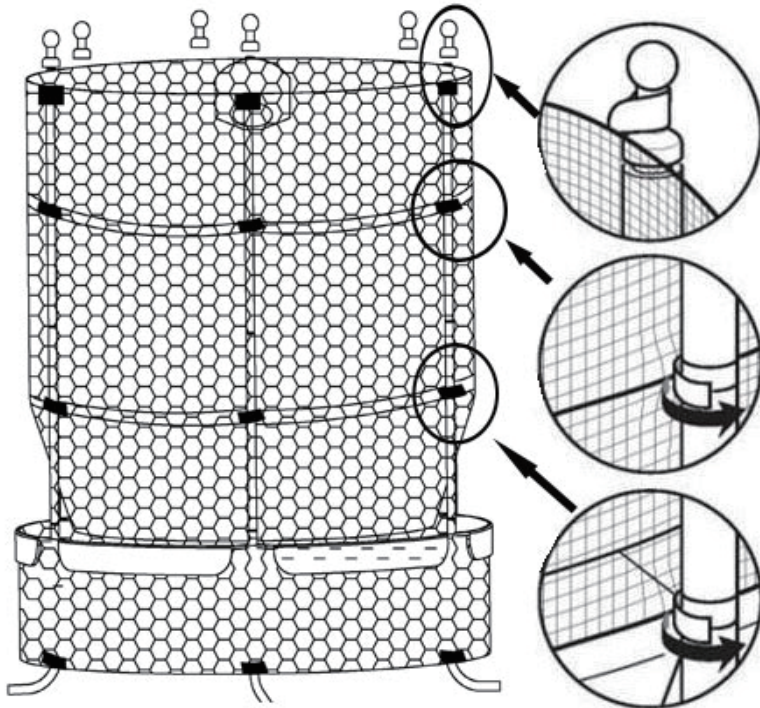
Etape 4

- Repérez la pièce C (6 éléments)
- Assemblez la pièce C (tube inférieur) aux 6 emplacements du cadre circulaire
- Repérez la pièce D (6 éléments)
- Assemblez la pièce D (tube supérieur) aux 6 tubes inférieurs
- Repérez la pièce E (12 éléments)
- Tournez les tubes et faites correspondre les trous
- Vissez la pièce E dans les trous correspondants aux 12 emplacements des tubes d'enceinte



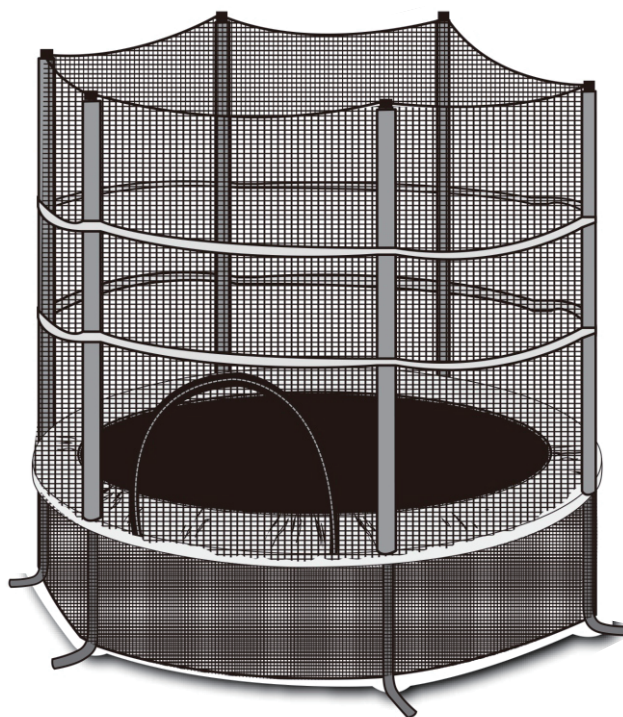
Étape 5

- Repérez la pièce K (12 éléments)
- Glissez 2 éléments de la pièce K sur chacun des 6 tubes d'enceinte



Étape 6

- Repérez la pièce H (6 éléments)
- Posez 1 opercule (pièce H) au haut de chacun des tubes d'enceinte
- Repérez les 6 boucles d'enceinte et attachez-les aux opercules (pièce H)
- Repérez les courroies des sections médianes de l'enceinte et retenez-les aux tubes d'enceinte, tel que montré sur les 3 illustrations circulaires ci-dessous



55" TRAMPOLINO E RECINZIONE

**AVVERTENZA:**

Leggere queste istruzioni prima di assemblare o utilizzare il trampolino e la recinzione.

Conservare in modo da poterle consultare in futuro.

Ad uso **ESCLUSIVO** di bambini dai 3 ai 6 anni.

Peso massimo di 45kg per utente.

VA MONTATO DA UN ADULTO – Contiene piccole parti, punte e bordi affilati.

RISCHIO DI SOFFOCAMENTO – Piccole parti – non adatte ai bambini sotto i 3 anni.

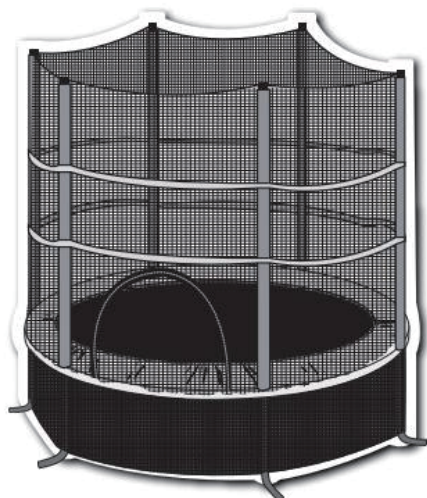


**IMPORTANTE - CONSERVARE QUESTE INFORMAZIONI
PER CONSULTARLE IN SEGUITO: LEGGERE ATTENTAMENTE**

ISTRUZIONI DI ASSEMBLAGGIO

AVVERTENZA:

Leggere queste istruzioni prima di assemblare o utilizzare il trampolino.



Responsabilita'

Per quanto ogni misura possibile sia stata presa per assicurare il massimo grado di sicurezza dell'attrezzo, non possiamo garantire completamente la vostra incolumita'. L'utente si assume tutti i rischi di lesioni durante l'uso. Tutto il merchandising e' venduto sotto questi termini, i quali non sono modificabili o impugnabili da nessun rappresentante dell'azienda.

AVVERTENZA:

In aggiunta alle istruzioni e precauzioni ricevute col vostro Trampolino, le seguenti precauzioni devono essere osservate mentre si utilizza il Recinto di Sicurezza del Trampolino.

- NON tentare o consentire salti mortali sul Trampolino. Atterrare sulla nuca o sul collo puo' causare serie lesioni, paralisi o morte, anche quando si atterra in mezzo al tappeto.
- Non consentire piu' di una persona alla volta sul Trampolino o dentro la recinzione. L'utilizzo da parte di piu' di una persona alla volta puo' causare gravi lesioni.
- Il telaio metallico della recinzione del trampolino e' conduttore di elettricita'. Luci, cavi, e altra strumentazione elettrica simile non va mai messa a contatto con la recinzione.
- Ispezionate la recinzione dopo ogni uso. Assicuratevi che tutte le fibbie e le altre parti siano in posizione corretta e ben strette. Stringere qualsiasi materiale allentato. Rimpiazzare qualsiasi componente logoro, difettivo o mancante.
- Indossate indumenti comodi privi di qualsiasi anello, scatto, laccio, o qualsiasi cosa che possa intopparsi nella rete della recinzione. Rimuovete gioielli, collane e orecchini.
- Salite e scendete dal trampolino solo attraverso l'entrata di sicurezza della recinzione e chiudete in sicurezza l'entrata. Gli utenti, specialmente i bambini, non devono tentare di scendere tra il trampolino e la recinzione. Questo puo' comportare il rischio di strangolamento.
- Non toccare o rimbalzare sulla rete della recinzione durante l'utilizzo del trampolino.
- Leggete per intero le istruzioni e completate l'assemblaggio prima di consentire al vostro bambino di utilizzare il trampolino o la recinzione di sicurezza.
- Usate il trampolino e la recinzione solo sotto la supervisione di un adulto attento e maturo.

ESCLUSIVAMENTE ad uso ricreazionale. Non per uso professionale.

Peso massimo per l'utente del trampolino e della recinzione e' di 45kg.

AVVERTENZA:

Istruzioni di assemblaggio e installazione

- VA MONTATO DA UN ADULTO – Contiene piccole parti, punte e bordi affilati.
- RISCHIO DI SOFFOCAMENTO – Piccole parti – non adatte ai bambini sotto i 3 anni.
- Ad uso ESCLUSIVO di bambini dai 3 ai 6 anni.
- Peso massimo di 45kg per volta.
- Un adeguato spazio libero verso l'alto e' necessario. Un minimo di 8ft dal livello del terreno e' consigliato. Assicuratevi di avere spazio da cavi, rami d'albero e altri possibili cause di incidente.
- Spazio libero laterale e' fondamentale. Posizionate il trampolino e la recinzione del trampolino lontano da muri, strutture, staccionate, e altre aree di gioco. Mantenete uno spazio libero su ogni lato del trampolino e della recinzione. Un minimo di sei piedi dalla rete e' consigliato.
- Non montate mai il trampolino in condizioni di forte pioggia, vento o tempesta, specialmente in presenza di lampi. E' consigliabile in questi casi riporre da parte il trampolino.
- Posizionare il trampolino e la recinzione su una superficie piana prima dell'uso.
- Assicuratevi che il trampolino e la recinzione non vengano utilizzati senza autorizzazione e senza supervisione.
- Rimuovete tutto cio' che potrebbe frapporsi sotto il trampolino e sotto la recinzione prima dell'uso.
- Il proprietario e il supervisore del trampolino e della recinzione sono responsabili di comunicare a tutti gli utenti le pratiche specificate nelle "Istruzioni d'Uso".

AVVERTENZA:

Istruzioni per la cura e la manutenzione

Ispezionare il trampolino e la recinzione prima di ogni uso e rimpiazzare parti mancanti, difettose o logore.

Le seguenti condizioni potrebbero rappresentare potenziali pericoli:

1. Cuscinetti del telaio, barriere, supporti della recinzione e protezioni dei pali che sono mancanti, posizionate impropriamente o non fissate in sicurezza.
2. Fori, logorii, squarci, o buchi nel tappeto, nei cuscinetti del telaio, nelle barriere o nel telaio a supporto della recinzione e nelle protezioni dei pali.
3. Deterioramento nelle cuciture o nel tessuto del tappeto o nei cuscinetti del telaio, nelle barriere o nel telaio a supporto della recinzione e nelle protezioni dei pali.
4. Corde di sospensione rotte.
5. Un telaio o un sistema di supporto inclinato.
6. Una barriera o un tappeto allentati.
7. Protusioni acuminate nel telaio o nel sistema di sospensione, oppure
8. Componenti allentati o mancanti. Assicurarsi sempre che i componenti siano ben saldi prima dell'utilizzo.



AVVERTENZA:

Istruzioni d'Uso

- NON tentare o consentire salti mortali sul Trampolino. Atterrare sulla nuca o sul collo puo' causare serie lesioni, paralisi o morte, anche quando si atterra in mezzo al tappeto.
- Non consentire piu' di una persona alla volta sul Trampolino o dentro la recinzione. L'utilizzo da parte di piu' di una persona alla volta puo' causare gravi lesioni.
- Tenere oggetti alla larga da chi sta utilizzando il prodotto. Mantenere un'area sgombra attorno al trampolino. Non consentire di portare oggetti estranei o animali sul trampolino.
- I bambini devono utilizzare il trampolino e la recinzione solo sotto la supervisione di adulti attenti e maturi.
- Il trampolino e' pensato per i bambini dai tre (3) a sei (6) anni.
- Il trampolino deve essere assemblato interamente prima di ogni utilizzo. Tutte le corde di sospensione devono essere collegate al telaio. La copertura del telaio deve essere sempre posizionata correttamente.
- Non montate mai il trampolino in condizioni di forte pioggia, vento o tempesta, specialmente in presenza di lampi. E' consigliabile in questi casi riporre da parte il trampolino.
- Ispezionate la recinzione dopo ogni uso. Assicuratevi che tutte le fibbie e le altre parti siano in posizione corretta e ben strette. Stringere qualsiasi materiale allentato. Rimpiazzare qualsiasi componente logoro, difettivo
- Il telaio metallico della recinzione del trampolino e' conduttore di elettricita'. Luci, cavi, e altra strumentazione elettrica simile non va mai messa a contatto con la recinzione.
- Indossate indumenti comodi privi di qualsiasi anello, scatto, laccio, o qualsiasi cosa che possa intopparsi nella rete della recinzione. Rimuovete gioielli, collane e orecchini.
- Entrate ed uscite dalla recinzione solo dalla porta o dall'apertura nella barriera designata a tale scopo. E' pericoloso saltare dal trampolino a terra o al pavimento quando si scende, o saltare sul trampolino quando ci si sale. Non usare il trampolino appunto come trampolino di lancio per altri oggetti.
- Potete fermarvi piegando le ginocchia quando i piedi entrano in contatto col tappeto. Imparate questa tecnica prima di provarne altre.
- Non saltate troppo in alto. Rimanere bassi fino a che non si ha controllo del rimbalzo e riuscirete ad atterrare ripetutamente al centro del trampolino. Il controllo e' piu' importante dell'altezza.
- Con la testa eretta, focalizzate gli occhi sul perimetro del trampolino. Questo aiuterà nel controllo del salto.
- Non saltare quando si e' stanchi. Fare dei turni corti.
- Mettere in sicurezza il trampolino quando non e' in uso. Proteggerlo da un uso inautorizzato.
- La persona adulta a supervisione non deve essere sotto l'influenza di alcol o droga.
- Per ulteriori informazioni inerente l'attrezzatura del trampolino contattare il produttore.
- Per informazioni inerenti competenze tecniche, contattare un istruttore di trampolino certificato.
- Saltare solo quando la superficie del tappeto e' asciutta. Il vento e gli spostamenti d'aria devono essere al massimo tenui. Il trampolino non puo' essere utilizzato in condizioni di forte vento. In queste condizioni il trampolino va smontato e riposto.
- Leggere tutte le istruzioni prima di utilizzare il trampolino e la recinzione. Le avvertenze e le istruzioni per la cura, la manutenzione e l'uso di questo il trampolino e della recinzione sono incluse per promuovere un uso sicuro e godibile del prodotto.
- Non saltare intenzionalmente oltre la barriera.
- Non tentare di saltare oltre la barriera o di scivolare sotto la barriera.
- Non appendersi, dare un calcio, tagliare o arrampicarsi sulla barriera.
- Non appendete nulla alla barriera che non sia un accessorio approvato dal produttore o parte della recinzione.

Sicurezza del trampolino e prevenzione incidenti

Come nella maggior parte degli sport ricreativi, I partecipanti possono farsi male. Questa sezione copre gli incidenti piu' comuni. Sono definite anche le responsabilita' del supervisore e del saltatore in tema di prevenzione incidenti.

Le seguenti sono ragioni per cui possono accadere incidenti:

- **Provare un salto mortale.** Atterrare sulla nuca o sul collo puo' causare serie lesioni, paralisi o morte, anche quando si atterra in mezzo al tappeto.
- **Piu' di una persona sul trampolino.** L'utilizzo da parte di piu' di una persona alla volta puo' risultare in serie lesioni.
- **Montaggio e smontaggio incorretti.** Uscite con cautela strisciando da sotto o sul trampolino. Non saltare a terra. Non saltate da un tetto, o da altri oggetti sul trampolino. Bambini piccoli potrebbero necessitare di assistenza nel salire e scendere dal trampolino. Non calpestare il sistema di sospensioni.
- **Colpire il telaio.** Rimanete al centro del trampolino mentre saltate. Lesioni possono occorrere se colpite il telaio dopo aver perso il controllo. Assicuratevi sempre che la copertura del telaio e i cuscinetti protettivi siano ben saldi. Non saltate direttamente contro i cuscinetti.
- **Perdita di controllo.** Un saltatore che perde il controllo avra' piu' possibilita' di farsi del male. Siate sicuri di aver preso familiarita' con i salti base prima di passare ad altri piu' complicati. I tipi di salto devono essere prima ripetuti e imparati a pieno prima di passare al livello successivo. Per ottenere di nuovo il controllo e smettere di saltare piegate le ginocchia mentre atterrate.
- **Il supervisore adulto non deve essere sotto l'influenza di alcol o droga.**
- **Oggetti estranei.** Si prega di assicurarsi che non vi sia nulla di acuminato sotto e attorno al trampolino. Colpire oggetti collocati sotto al trampolino puo' causare lesioni. Saltare tenendo un oggetto estraneo puo' aumentare le possibilita' di lesioni. Assicuratevi che ci siano almeno 8ft di spazio libero sopra e 6ft di spazio libero attorno al trampolino. Fate attenzione a cavi sopra di voi, rami, etc.
- **Condizione meteo.** Non utilizzare il trampolino in caso di forti venti o condizioni climatiche sfavorevoli. Il tappeto non deve essere bagnato.
- **Scarsa manutenzione del trampolino.** Assicuratevi di ispezionare il trampolino prima di ogni uso. Controllate se ci sono fori nel telo, logorii sul telaio, cuciture o bande elastiche allentate. Qualora un pezzo di ricambio sia necessario, vi preghiamo di contattarci per ordinarlo.
- **Accesso illimitato.** Il trampolino va coperto o smontato quando non e' in uso. Cio' ne preverra' l'utilizzo non supervisionato da parte di bambini piccoli.

Ruolo del Proprietario & Supervisore Nella Prevenzione & Responsabilita'

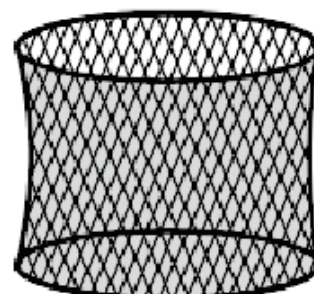
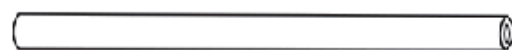
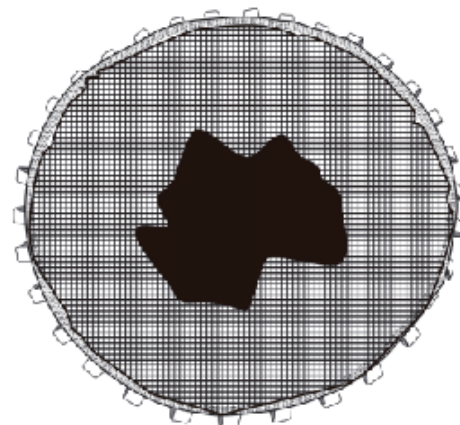
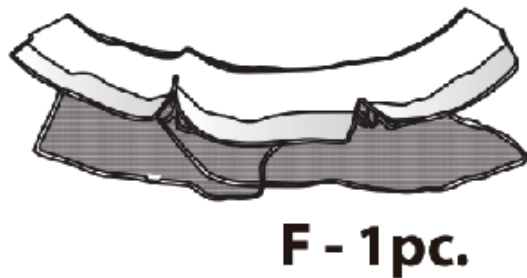
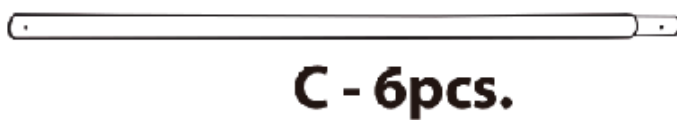
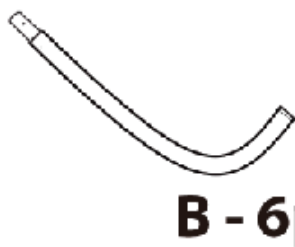
Il ruolo del supervisore e' quello di assicurarsi che gli utenti conoscano tutte le norme di sicurezza e che imparino i salti base fondamentali. Devono implementare tutte le norme di sicurezza e avvertenze nel manuale, sul telaio e sulle etichette. Quando un supervisore non e' disponibile, il trampolino va coperto o smontato per limitarne l'accesso. E' responsabilita' del supervisore che tutte le clausole delle Norme sulla Sicurezza del Trampolino e della Recinzione vengano revisionate e che tutti gli utenti siano informati di tali norme.

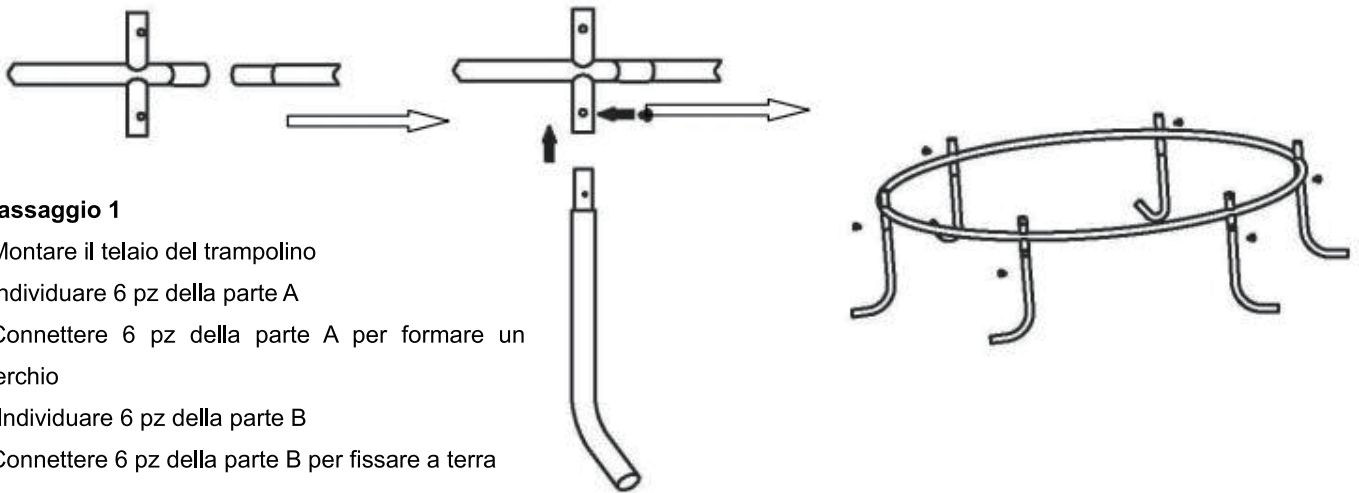
Ruolo dell'Utente Nella Prevenzione & Responsabilita'

Il saltatore deve prima imparare tutti salti base fondamentali prima di passare ad altri piu' difficili. Salti bassi e controllati sono un ottimo inizio prima di imparare le posizioni di atterraggio base e le combinazioni. I saltatori devono comprendere che il controllo e' essenziale alla riuscita di un buon salto. Seguire i suggerimenti nella guida e' fondamentale.

Contattate un istruttore di trampolino certificato per ulteriori informazioni.

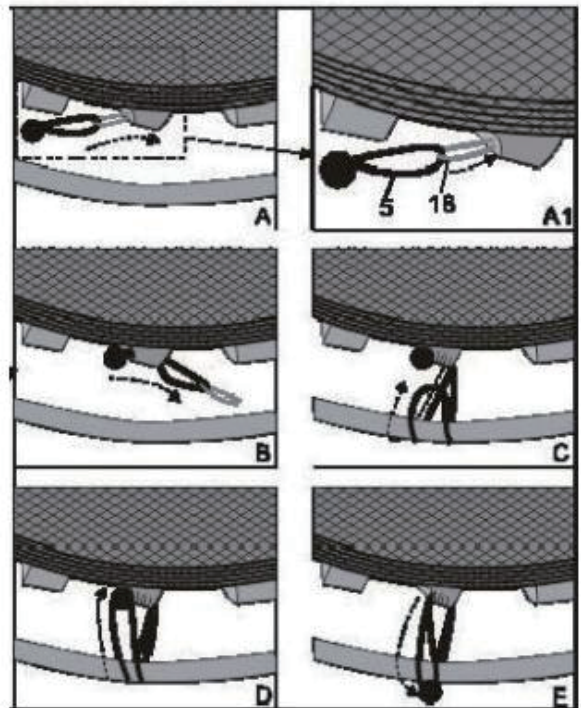
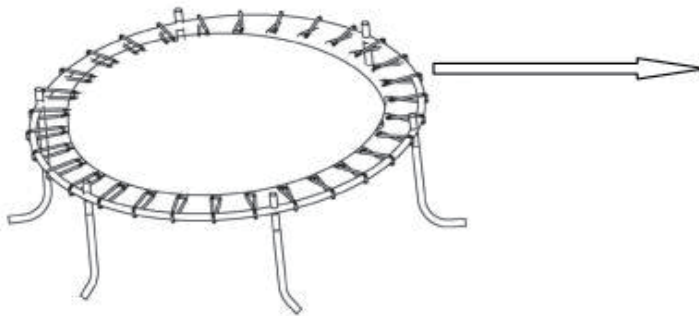
LISTA PARTI





Passaggio 1

- Montare il telaio del trampolino
- Individuare 6 pz della parte A
- Connettere 6 pz della parte A per formare un cerchio
- Individuare 6 pz della parte B
- Connettere 6 pz della parte B per fissare a terra

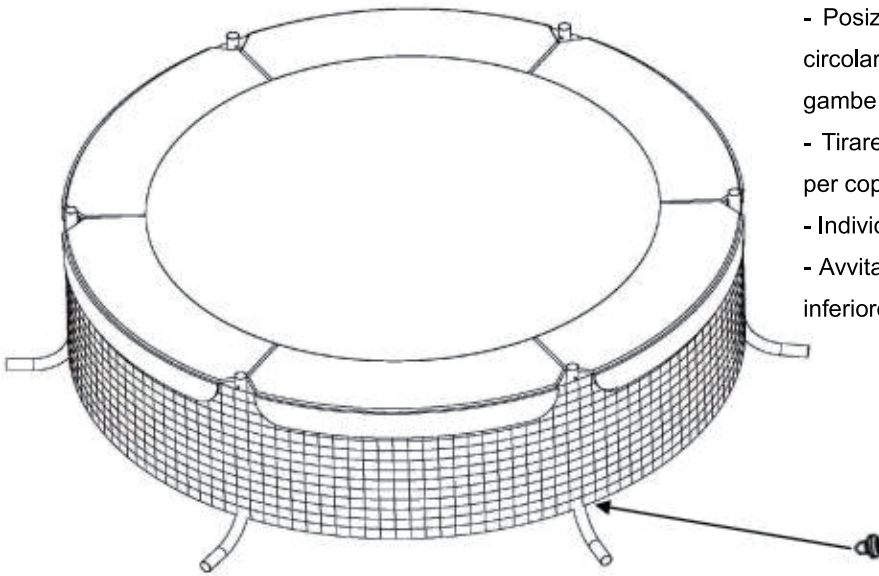


Passaggio 2

- Individuare 30 pz della parte G
- Individuare 1 pz della parte J
- Stringere le bande di sicurezza (G) al materasso rimbalzante (J) e al telaio circolare
- (Suggerimento utile: legate 1 banda di sicurezza a ore 12, 3, 6, 9 del telaio circolare per iniziare)

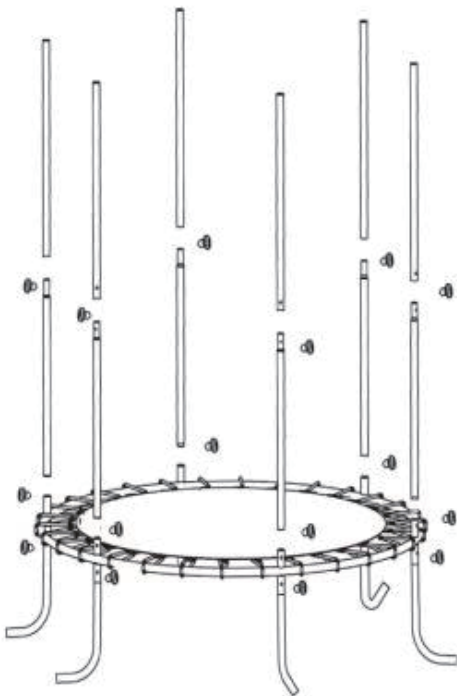
Passaggio 3

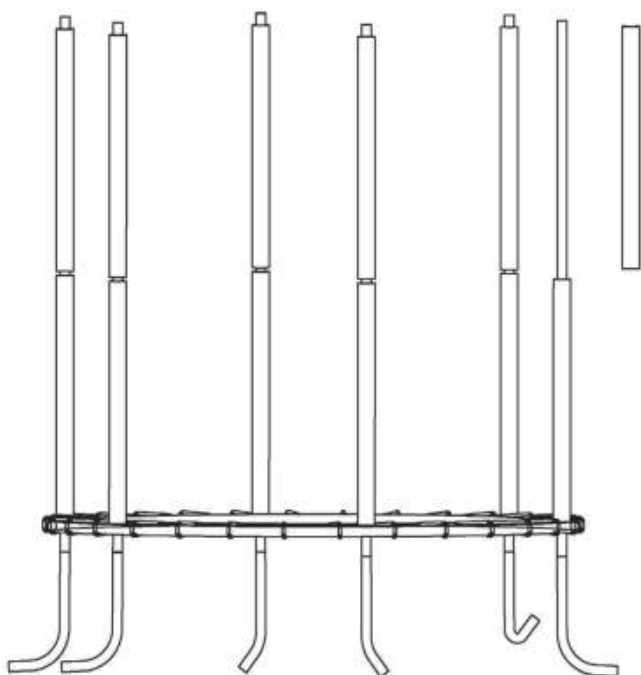
- Individuare 1 pz della parte F
- Posizionare il cuscinetto protettivo sopra al telaio circolare. Assicurarsi che i buchi siano allineati alle gambe della parte B
- Tirare il rivestimento inferiore in maniera uniforme per coprire le parti B
- Individuare 6 pz della parte E
- Avvitare la parte E nei rivetti cuciti nel rivestimento inferiore



Passaggio 4

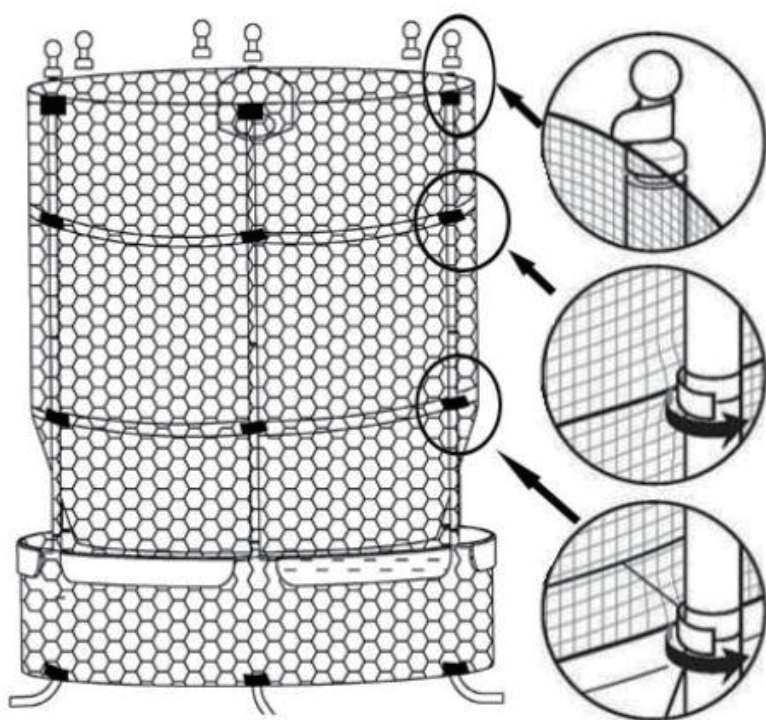
- Individuare 6 pz della parte C
- Assemblare la parte C (Tubo Inferiore) nei 6 punti del telaio circolare
- Individuare 6 pz della parte D
- Assemblare la parte D (Tubo Superiore) ai 6 tubi inferiori
- Individuare 12 pz della parte E
- Ruotate i tubi per allinearli ai fori.
- Avvitare la parte E nei buchi apposti nei 12 punti sui tubi di recinzione





Passaggio 5

- Individuare 12 pz della parte K
- Slittare 2 pz della parte K su ognuno dei 6 tubi di recinzione



Passaggio 6

- Individuare 6 pz della parte H
- Posizionare una Testina (parte H) in cima a ciascuno dei tubi di recinzione
- Individuare 6 anelli di recinzione e fissarli sulle Testine (parte H)
- Individuare le cinghie nella sezione mediana della recinzione e assicurarle ai tubi di recinzione come mostrato nelle 3 immagini circolari seguenti.

UK

If you have any questions, please contact our customer care center.

Our contact details are below:



0044-800-240-4004



enquiries@mhstar.co.uk

IMPORTER ADDRESS:

MH STAR UK LTD

Unit 27, Perivale Park,
Horsenden lane South

Perivale, UB6 7RH

MADE IN CHINA

ES

Si tiene alguna pregunta, comuníquese con nuestro Centro de Atención al Cliente. Nuestros datos de contacto son los siguientes:



0034-931294512



atencioncliente@aosom.es

IMPORTADOR:

SPANISH AOSOM, S.L.

C/ ROC GROS, N° 15. 08550, ELS HOSTALETS DE
BALENYÀ, SPAIN.

B66295775

WWW.AOSOM.ES

ATENCIONCLIENTE@AOSOM.ES

TEL: 931294512

HECHO EN CHINA

FR

Si vous avez la moindre question, veuillez contacter notre centre d'assistance à la clientèle.

Nos coordonnées sont les suivantes:



0033-1-84166106



aosom@mhfrance.fr

Importé par:

MH France

2, rue Maurice Hartmann

92130 Issy-les-Moulineaux

France

Fabriqué en Chine

PT

Se tiver alguma dúvida, por favor contacte o nosso Centro de Atendimento ao Cliente. Os nossos dados de contacto são os seguintes:



0034-931294512



info@aosom.pt.

IMPORTADOR:

SPANISH AOSOM, S.L

C.ROC GROS N.15, 08550. ELS HOSTALETS DE BALENYÀ

TEL: 931294512 (SEG-SEX DAS 7:30H ÀS 16:30H)

INFO@AOSOM.PT

WWW.AOSOM.PT

DE

Wenn Sie Fragen haben, wenden Sie sich bitte an unser Kundendienstzentrum.

Unsere Kontaktdaten stehen unten:



0049-0(40)-88307530



service@aosom.de

ADRESSE DES IMPORTEURE:

MH Handel GmbH

Wendenstraße 309

D-20537 Hamburg

Germany

IN CHINA HERGESTELLT

IT

In caso di dubbio, si prega di contattare il nostro centro assistenza clienti. I nostri dettagli di contatto sono di seguito:



0039-0249471447



clienti@aosom.it

IMPORTATO DA:

AOSOM Italy srl

Centro Direzionale Milanofiori

Strada 1 Palazzo F1

20057 Assago (MI)

P.I.: 08567220960

FATTO IN CINA