



IN230700048V02_UK_FR_ES_DE_IT

342-009V01

EN



Read these materials prior to assembling and using this trampoline and trampoline enclosure.

Keep this manual so you can refer to it later.

For use by children ages 3 to 10 years ONLY.

Maximum user weight 50kg.

ADULT ASSEMBLY REQUIRED - Contains small parts, sharp points and sharp edges.

CHOKING HAZARD - Small parts - not for children under 3 yrs.

**UK
CA
CE**

IMPORTANT, RETAIN FOR FUTURE REFERENCE: READ CAREFULLY

ASSEMBLY INSTRUCTION



WARNING:

Read these materials prior to assembling and using this trampoline.

Table of Contents

Liability	2
Initial Warning	2
Assembly and Installation Instructions.....	3
Care and Maintenance Instructions	3
Use Instructions	4
Trampoline Safety and Accident Prevention.....	5
Owner's and Supervisor's Role in Preventing Injuries & Responsibilities	5
User's Role in Preventing Injuries & Responsibilities	5
Trampoline & Enclosure Assembly	6 - 9

Liability

While every attempt is made to embody the highest degree of protection in all equipment, we cannot guarantee freedom from injury. The user assumes all risk of injury due to use. All merchandise is sold on this condition, which no representative of the company can waive or change.



WARNING:

In addition to the instructions and precautions provided with your Trampoline, the following precautions must be observed while using the Trampoline Safety Enclosure.

- DO NOT attempt or allow somersaults on the Trampoline. Landing on the head or neck can cause serious injury, paralysis, or death, even when landing in the middle of the bed.
- Do not allow more than one person on the trampoline or inside the trampoline enclosure. Use by more than one person at the same time can result in serious injuries.
- The metal frame of the trampoline enclosure will conduct electricity. Lights, extension cords, and all such electrical equipment must never be allowed to come in contact with the enclosure.
- Inspect the enclosure before each use. Make sure the straps and all parts are correctly and securely positioned and attached. Tighten any loose hardware. Replace any worn, defective, or missing parts.
- Wear comfortable clothing free of hooks, snaps, drawstrings or anything which may snag or catch in the safety enclosure mesh. Remove jewelry, necklaces, and earrings.
- Climb on and off the trampoline only through the safety enclosure entrance and securely close entrance. Users, especially children, must not attempt to enter or exit between the trampoline frame and the enclosure. Doing this may pose a strangulation risk.
- Do not touch or rebound off the safety enclosure mesh while using the trampoline.
- Read all instructions and complete all assembly before allowing your child to use the trampoline & safety enclosure.
- Use trampoline and trampoline enclosure only with mature, knowledgeable adult supervision.

**For Recreational Use ONLY. Not for Professional Use.
Weight Limit for Trampoline & Enclosure User is 50kg.**



WARNING: Assembly and Installation Instructions

- ADULT ASSEMBLY REQUIRED - Contains small parts, sharp points and sharp edges.
- CHOKING HAZARD - Small parts - Not for children under 3 yrs.
- For use by children ages three (3) to ten (10) ONLY.
- Maximum user weight is 50 kg.
- Adequate overhead clearance is essential. A minimum of 8 ft from ground level is recommended. Provide clearance for wires, tree limbs, and other possible hazards.
- Lateral clearance is essential. Place the trampoline and trampoline enclosure away from walls, structures, fences, and other play areas. Maintain a clear space on all sides of the trampoline and trampoline enclosure. A minimum of six feet from frame edge is recommended.
- Never set-up the trampoline in heavy rain, wind or storm conditions, especially lightning storms. It is recommended that the trampoline be taken apart and stored in bad weather.
- Place the trampoline and trampoline enclosure on a level surface before use.
- Secure the trampoline and trampoline enclosure against unauthorized and unsupervised use.
- Remove any obstructions from beneath the trampoline and trampoline enclosure prior to use.
- The owner and supervisors of the trampoline and trampoline enclosure are responsible to make all users aware of practices specified in the "Use Instructions".



WARNING: Care and Maintenance Instructions

Inspect the trampoline and trampoline enclosure before each use and replace any worn, defective, or missing parts.

The following conditions could represent potential hazards:

1. Missing, improperly positioned, or insecurely attached frame padding, barrier or enclosure support system (frame) padding and pole caps.
2. Punctures, frays, tears, or holes worn in the bed or frame padding, barrier or enclosure support system (frame) padding and pole caps.
3. Deterioration in the stitching or fabric of the bed or frame padding, barrier or enclosure support system (frame) padding and pole caps.
4. Ruptured suspension cords.
5. A bent or broken frame or support system.
6. A sagging barrier or bed.
7. Sharp protrusions on the frame or suspension system.
8. Loosened or missing hardware. Always make sure hardware is tight before each use.



WARNING: Use Instructions

- DO NOT attempt or allow somersaults on the Trampoline. Landing on the head or neck can cause serious injury, paralysis, or death, even when landing in the middle of the bed.
 - Do not allow more than one person on the trampoline or inside the trampoline enclosure. Use by more than one person at the same time can result in serious injuries.
- Keep objects away which could interfere with the performer. Maintain a clear area around the trampoline.
- Do not allow foreign objects or animals on the trampoline.
 - Children should only use trampoline and trampoline enclosure with mature, knowledgeable adult supervision.
 - Trampoline is for use by children ages three (3) to ten (10).
 - The trampoline should be assembled in its entirety before each use. All suspension cords must be attached to the frame. The frame cover must be correctly positioned at all times.
 - Never set-up the trampoline in heavy rain, wind or storm conditions, especially lightning storms. It is recommended that the trampoline be taken apart and stored in bad weather.
 - Inspect the trampoline & enclosure before each use. Make sure the frame cover, barrier mesh, and enclosure support padding are correctly and securely positioned. Replace any worn, defective or missing parts.
 - The metal frame of the trampoline and trampoline enclosure will conduct electricity. Lights, extension cords, and all such electrical equipment must never be allowed to come in contact with the trampoline or trampoline enclosure.
 - Wear comfortable clothing. Remove jewelry, necklaces, and earrings. Wear clothing free of drawstrings, hooks, loops or anything that could get caught in the barrier mesh.
 - Enter and exit the enclosure only at the enclosure door or barrier opening designated for that purpose. It is dangerous practice to jump from the trampoline to the ground or floor when dismounting, or to jump onto the trampoline when mounting. Do not use the trampoline as a springboard to other objects.
 - Stop bounce by flexing knees as feet come in contact with the trampoline bed. Learn this skill before attempting others.
 - Avoid bouncing too high. Stay low until bounce control and repeated landing in the center of the trampoline can be accomplished. Control is more important than height.
 - While keeping the head erect, focus eyes on the trampoline toward the perimeter. This will help control bounce.
 - Avoid bouncing when tired. Keep turns short.
 - Properly secure the trampoline when not in use. Protect it against unauthorized use.
 - The adult supervisor must not be under the influence of alcohol or drugs.
 - For additional information concerning the trampoline equipment, contact the manufacturer.
 - For information concerning skill training, contact a certified trampoline instructor.
 - Bounce only when the surface of the bed is dry. Wind or air movement should be calm to gentle. The trampoline must not be used in gusty or severe winds. The trampoline should be taken apart or stored indoors during these types of weather conditions.
 - Read all instructions before using the trampoline and trampoline enclosure. Warnings and instructions for care, maintenance, and use of this trampoline and trampoline enclosure are included to promote safe, enjoyable use of this equipment.
 - Do not intentionally bounce off the barrier.
 - Do not attempt to jump over barrier or attempt to crawl under barrier.
 - Do not hang from, kick, cut or climb on barrier.
 - Do not attach anything to the barrier that is not a manufacturer approved accessory or part of the enclosure system.

Trampoline Safety and Accident Prevention

As in most recreational sport, participants may be injured. This section covers the most common accidents. Responsibilities of the supervisors and jumpers in accident prevention are also outlined.

The following are reasons why accidents happen:

- Attempting somersaults. Landing on the head or neck can cause serious injury, paralysis, or death, even when landing in the middle of the bed.
- More than one person on the trampoline. Use by more than one person at the same time can result in serious injuries.
- Incorrect mounting and dismounting. Carefully crawl out of and into the trampoline bed. Do not jump off to the ground. Do not jump from a roof, or other object onto the trampoline. Small children may need assistance to get on or off the trampoline. Do not step onto the suspension system.
- Hitting the frame. Stay in the center of the trampoline when jumping. Injury may result from hitting the frame when control is lost. Be sure the frame cover is always on and the pads securely fastened. Do not jump directly onto the frame pad.
- Loss of control. A jumper who loses control will increase his/her chance of injury. Be sure to familiarize yourself with the basic jumps before doing more difficult ones. Jumps should be mastered, performed repeatedly before moving on to the next level. To regain control and stop your jump, bend your knees sharply as you land.
- The adult supervisor must not be under the influence of alcohol or drugs.
- Foreign objects. Please make sure there is nothing sharp under and around the trampoline. Hitting objects under the trampoline can cause injury. Jumping with a foreign object can also increase the chances of getting injured. Be sure there is adequate clearance 8 feet above and 6 feet around the trampoline. Be careful of overhead wires, tree limbs etc.
- Bad weather. Do not use your trampoline in gusty winds or inclement weather. The bed should not be wet.
- Poor maintenance of the trampoline. Make sure you inspect the trampoline before every use. Check for punctures on the bed, sharp burrs on the frame, stitching that has gone bad or loose elastic bands. If a replacement part is needed, please call our hotline to order.
- Unlimited access. The trampoline should be covered or dis-assembled when not in use. This will prevent unsupervised small children from using the trampoline.

Owner's & Supervisor's Role in Preventing Injuries & Responsibilities



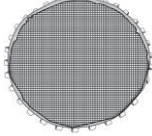



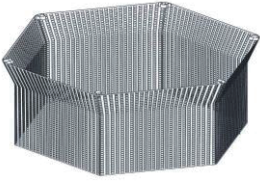
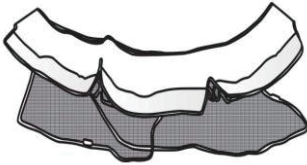



The supervisor's role is to make sure the users know all the safety rules as well as learn the basic, fundamental bounces. They need to enforce all the safety rules and warnings in the manual, frame and labels. When a supervisor is not available, the trampoline may be dis-assembled or covered to limit access. It is the supervisor's responsibility that the placards with the Trampoline Safety Tips and Enclosure Safety tips are reviewed and all jumpers are informed about the tips.

User's Role in Preventing Injuries & Responsibilities

The jumper must first learn all of the basic, fundamental bounces before attempting more difficult ones. Low, controlled bounces are a good start before learning the basic landing positions and combinations. Jumpers need to understand that control is key to a successful jump. Following the tips on the placard is important. Contact a certified trampoline instructor for more information.

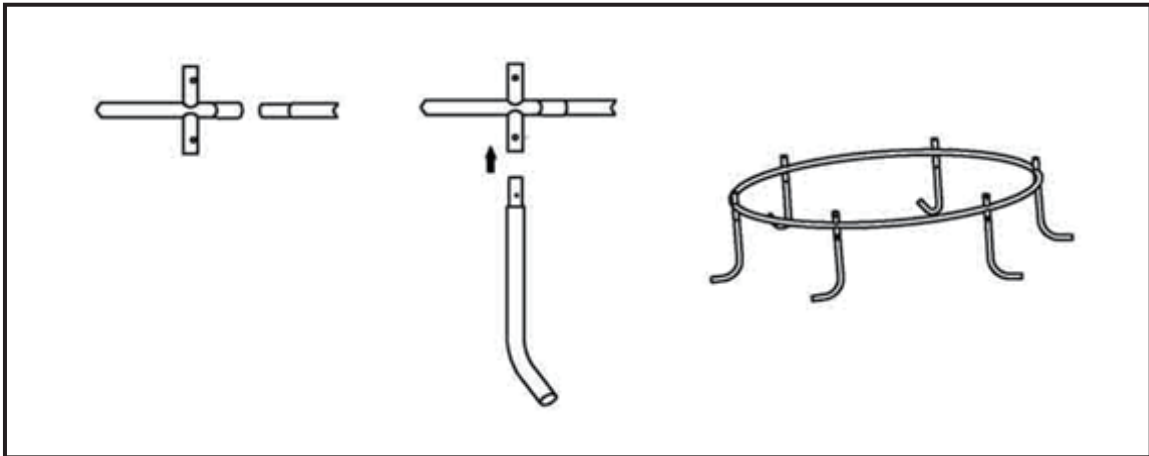
Parts list

Ref.Number	Part Number	Description	Unit
1	TR01	Trampoline frame	6
2	TR02	Trampoline legs	6
3	TR03	Jump mat	1
4	TR04	Elastic springs	30
5	TR05	Net pole top	6
6	TR06	Net pole bottom	6
7	TR07	Net	1
8	TR08	Cover pad	1
9	TR09	Screws	30
10	TR10	Tool	1
11	TR11	Manual	1

 TR01 x 6pcs	 TR02 x 6pcs	 TR03 x 1pcs
 TR04 x 30pcs	 TR05 x 6 pcs	 TR06 x 6pcs
 TR07 x 1pcs	 TR08 x 1pcs	 TR09x 30pcs
 TR10 x 1pcs	 TR11x1ps	

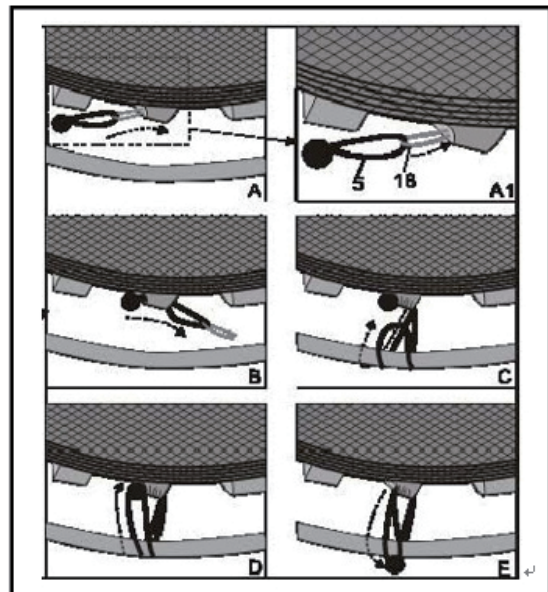
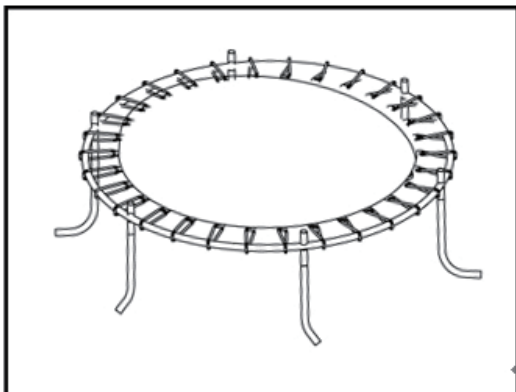
Assembly Instructions

1. Lay all the trampoline part on the floor, connect 6 piece trampoline frame.

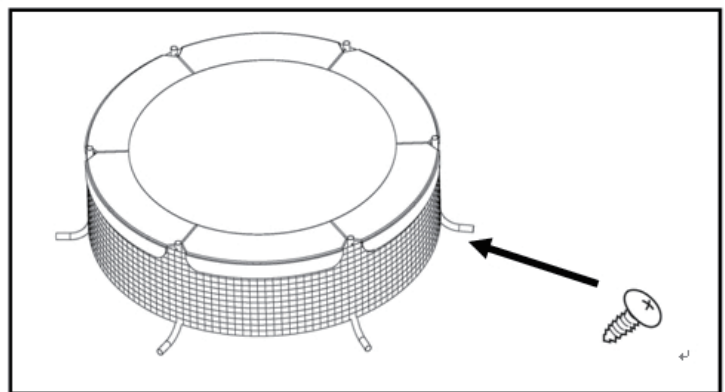


2. Install the leg tube into the main rack in turn .
3. With the trampoline frame now open and take out the jump mat in the middle of the frame ,now start to install the elastic springs, Install two elastic spring by two side of the frame ,Install the elastic spring to other two side of the frame , keep on install other ropes as show. (attention: Install the jump mat need base on below Assembly Instructions)

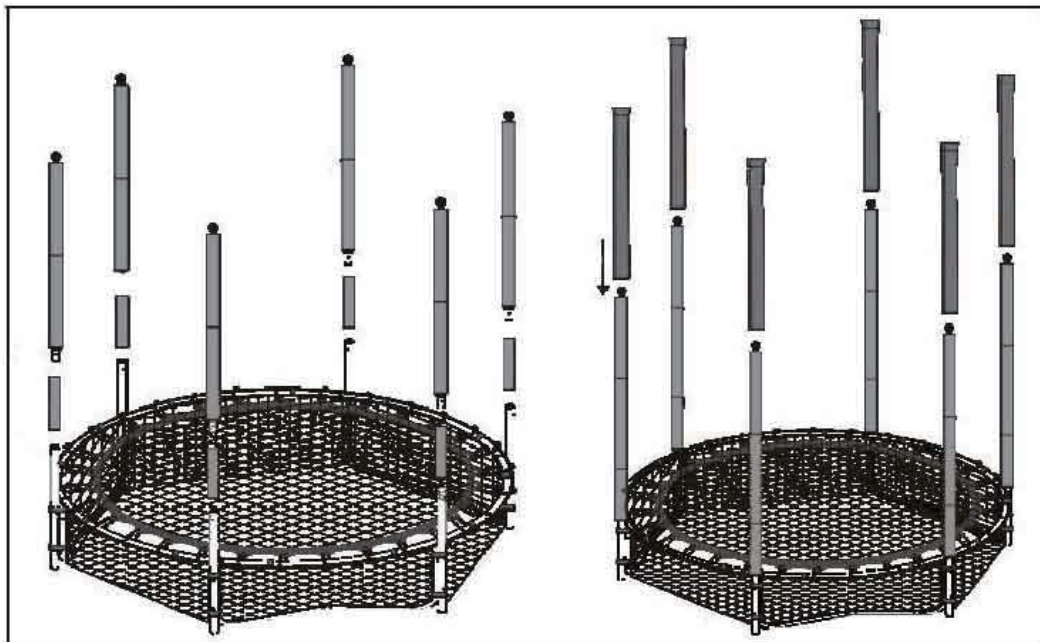
Note: Please wear gloves when You install the elastic springs.



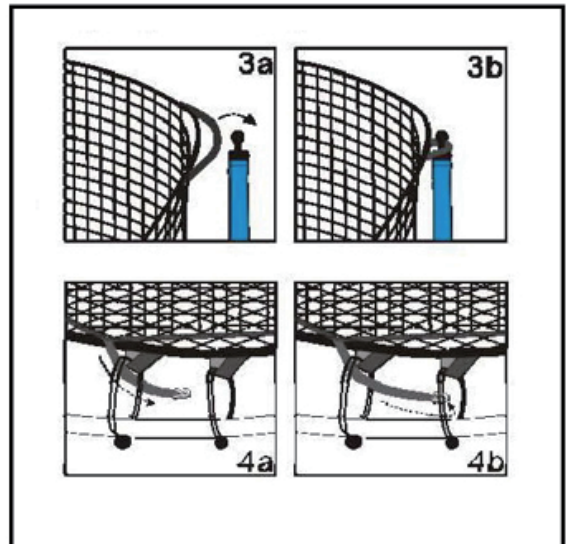
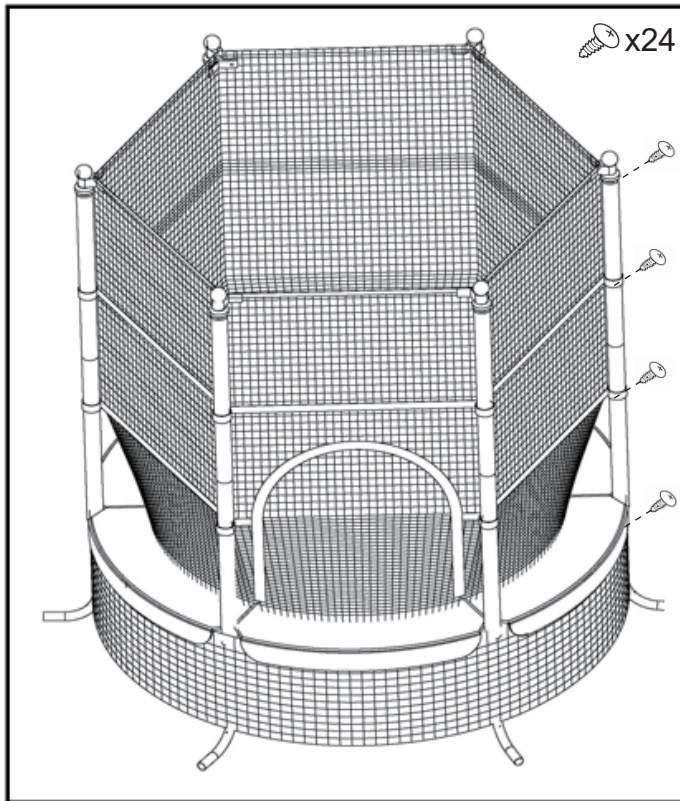
- Put the cover pad onto the trampoline frame ,Carefully position each of the 6 openings in the pad cover over their corresponding enclosure pole sockets.
- Carefully work the lower mesh skirt down, around the entire perimeter of the trampoline, on the outside of the legs. Align the grommet attached to the bottom of the lower mesh skirt with the hole near the base of the leg and secure with screw.



- Insert the top net pole and bottom net pole into the main frame separately.



7. Secure the net from the top down to the main rack with the fastening buckle of the net on the ball head and tie the elastic band below to the pipe below.





Lisez ces instructions avant d'assembler et d'utiliser ce trampoline et son filet de sécurité.

Conservez ce manuel pour pouvoir vous y référer ultérieurement.

Utilisation par des enfants âgés de 3 à 10 ans **UNIQUEMENT**.

Poids maximal de l'utilisateur: 50kg.

ASSEMBLAGE PAR UN ADULTE REQUIS - Contient de petites pièces, des pointes et des bords tranchants.

RISQUE D'ÉTOUFFEMENT - Petites pièces - ne convient pas aux enfants de moins de 3 ans.

**IMPORTANT - CONSERVEZ CES INFORMATIONS
POUR VOTRE CONSULTATION ULTÉRIEURE: LISEZ ATTENTIVEMENT**

INSTRUCTIONS D'ASSEMBLAGE



AVERTISSEMENT:

Lisez ces instructions avant d'assembler et d'utiliser ce trampoline.

Table des matières

Responsabilité.....	11
Avertissement initial.....	11
Instructions d'assemblage et d'installation.....	12
Instructions d'entretien et de maintenance.....	12
Instructions d'utilisation.....	13
Sécurité du trampoline et prévention des accidents.....	14
Rôle du propriétaire et de la personne chargée de la surveillance dans la prévention des blessures et Responsabilités.....	14
Rôle de l'utilisateur dans la prévention des blessures et responsabilités.....	14
Assemblage du trampoline et de l'enceinte de sécurité.....	15-18

Responsabilité

Bien que nous fassions tout notre possible pour offrir le plus grand degré de protection dans tous les équipements, nous ne pouvons pas garantir l'absence de blessures. L'utilisateur assume tous les risques de blessure liés à l'utilisation. Toutes les marchandises sont vendues à cette condition, à laquelle aucun représentant de la société ne peut renoncer ou changer.



AVERTISSEMENT:

En plus des instructions et des précautions fournies avec votre trampoline, les précautions suivantes doivent être observées lors de l'utilisation de l'enceinte de sécurité du trampoline.

- NE PAS tenter ou permettre des sauts périlleux sur le trampoline. Atterrir sur la tête ou le cou peut provoquer des blessures graves, une paralysie ou la mort, même en atterrissant au milieu du lit.
- Ne permettez pas la présence de plus d'une personne sur le trampoline ou à l'intérieur de l'enceinte du trampoline. L'utilisation par plus d'une personne en même temps peut entraîner des blessures graves.
- L'armature métallique de l'enceinte du trampoline est conductrice d'électricité. Les lampes, les rallonges et tout autre équipement électrique ne doivent jamais entrer en contact avec le filet.
- Inspectez le filet avant chaque utilisation. Assurez-vous que les sangles et toutes les pièces sont correctement et solidement positionnées et fixées. Serrez toute pièce desserrée. Remplacez toute pièce usée, défectueuse ou manquante.
- Portez des vêtements confortables exempts de crochets, de boutons-pression, de cordons ou de tout autre élément susceptible de s'accrocher ou de se coincer dans les mailles de l'enceinte de sécurité. Retirez vos bijoux, colliers et boucles d'oreilles.
- Ne montez et ne descendez du trampoline que par l'entrée de l'enceinte de sécurité et fermez-la solidement. Les utilisateurs, en particulier les enfants, ne doivent pas essayer d'entrer ou de sortir entre le cadre du trampoline et l'enceinte. Ils risqueraient de s'étrangler.
- Ne touchez pas et ne rebondissez pas sur les mailles de l'enceinte de sécurité lorsque vous utilisez le trampoline.
- Lisez toutes les instructions et effectuez tous les montages avant de permettre à votre enfant d'utiliser le trampoline et l'enceinte de sécurité.
- N'utilisez le trampoline et l'enceinte de sécurité que sous la surveillance d'un adulte mature et compétent.

**Pour un usage récréatif UNIQUEMENT. Ne pas utiliser à des fins professionnelles.
La limite de poids pour l'utilisateur du trampoline et de l'enceinte est de 50kg.**

AVERTISSEMENT: **Instructions de Montage et d'Installation**

- **ASSEMBLAGE PAR UN ADULTE REQUIS** - Contient des petites pièces, des pointes et des bords tranchants.
- **RISQUE D'ÉTOUFFEMENT** - Petites pièces - Ne convient pas aux enfants de moins de 3 ans.
- À utiliser par les enfants âgés de trois (3) à dix (10) ans **SEULEMENT**.
- Le poids maximum de l'utilisateur est de 50kg.
- Un dégagement adéquat est essentiel. Un minimum de 8 pieds à partir du niveau du sol est recommandé. Prévoyez un dégagement pour les fils électriques, les branches d'arbres et autres dangers possibles.
- Un dégagement latéral est essentiel. Placez le trampoline et son enceinte loin des murs, structures, enceintes et autres aires de jeu. Maintenez un espace libre sur tous les côtés du trampoline et de son enceinte. Il est recommandé de laisser un espace d'au moins deux mètres à partir du bord du cadre.
- N'installez jamais le trampoline en cas de forte pluie, de vent ou de tempête, en particulier en cas d'orage. Il est recommandé de démonter et de ranger le trampoline par mauvais temps.
- Placez le trampoline et son enceinte sur une surface plane avant de les utiliser.
- Sécurisez le trampoline et son enceinte pour éviter toute utilisation non autorisée ou non supervisée.
- Retirez tout obstacle sous le trampoline et son enceinte avant de les utiliser.
- Le propriétaire et les personnes chargées de la surveillance du trampoline et de son enceinte sont responsables de sensibiliser tous les utilisateurs aux pratiques spécifiées dans les " Instructions d'utilisation ".

AVERTISSEMENT: **Instructions d'Entretien et de Maintenance**

Inspectez le trampoline et son enceinte avant chaque utilisation et remplacez toute pièce usée, défectueuse ou manquante.

Les conditions suivantes peuvent représenter des dangers potentiels:

1. Rembourrage du cadre, barrière ou système de support de l'enceinte (cadre) et capuchons de poteaux manquants, mal positionnés ou mal fixés.
2. Perforations, effilochages, déchirures ou trous dans le rembourrage du lit ou du cadre, le rembourrage de la barrière ou du système de support de l'enceinte (cadre) et les capuchons des poteaux..
3. Détérioration des coutures ou du tissu du rembourrage du lit ou du cadre, du rembourrage de la barrière ou du système de soutien de l'enceinte (cadre) et des capuchons des poteaux.
4. Cordons de suspension rompus.
5. Cadre ou système de support plié ou cassé.
6. Barrière ou un lit affaissé.
7. Des protubérances pointues sur le cadre ou le système de suspension, ou
8. Des éléments de fixation desserrés ou manquants. Assurez-vous toujours que les pièces sont bien fixées avant chaque utilisation.



AVERTISSEMENT: **Instructions d'utilisation**

- NE PAS essayer ou permettre de faire des sauts périlleux sur le trampoline. Atterrir sur la tête ou le cou peut provoquer des blessures graves, une paralysie ou la mort, même en atterrissant au milieu du lit.
- Ne pas permettre la présence de plus d'une personne sur le trampoline ou à l'intérieur de l'enceinte du trampoline. L'utilisation par plus d'une personne en même temps peut entraîner des blessures graves.
- Éloignez les objets qui pourraient gêner la personne qui joue dans le trampoline. Maintenez une zone dégagée autour du trampoline. Ne laissez pas d'objets étrangers ou d'animaux sur le trampoline.
- Les enfants ne doivent utiliser le trampoline et l'enceinte du trampoline que sous la surveillance d'un adulte mature et compétent.
- Le trampoline doit être utilisé par des enfants âgés de trois (3) à dix (10) ans.
- Le trampoline doit être assemblé dans son intégralité avant chaque utilisation. Tous les cordons de suspension doivent être fixés au cadre. Le couvercle du cadre doit être correctement positionné à tout moment.
- Ne jamais monter le trampoline par forte pluie, vent ou tempête, en particulier en cas d'orage. Il est recommandé de démonter et de ranger le trampoline par mauvais temps.
- Inspectez le trampoline et son enceinte avant chaque utilisation. Assurez-vous que la toile du cadre, le filet de la barrière et le rembourrage de soutien de l'enceinte sont correctement et solidement positionnés. Remplacez toute pièce usée, défectueuse ou manquante.
- L'armature métallique du trampoline et de son enceinte est conductrice d'électricité. Les lampes, les rallonges et tout autre équipement électrique ne doivent jamais entrer en contact avec le trampoline ou la toile du trampoline.
- Portez des vêtements confortables. Retirez vos bijoux, colliers et boucles d'oreilles. Portez des vêtements dépourvus de cordons, de crochets, de boucles ou de tout autre élément qui pourrait se prendre dans les mailles de la barrière.
- Entrez et sortez de l'enceinte uniquement par la porte de l'enceinte ou l'ouverture de la barrière prévue à cet effet. Il est dangereux de sauter du trampoline au sol ou à la porte lorsqu'on en descend, ou de sauter sur le trampoline lorsqu'on y monte. N'utilisez pas le trampoline comme tremplin vers d'autres objets.
- Arrêtez le rebond en vexant les genoux lorsque les pieds entrent en contact avec le lit du trampoline. Formez-vous à cette technique avant d'en essayer d'autres.
- Évitez de rebondir trop haut. Restez bas jusqu'à ce que vous puissiez contrôler le rebond et atterrir plusieurs fois au centre du trampoline. Le contrôle est plus important que la hauteur.
- Tout en gardant la tête droite, dirigez les yeux vers le périmètre du trampoline. Cela aidera à contrôler le rebond.
- Évitez de rebondir lorsque vous êtes fatigué. Faites des virages courts.
- Fixez correctement le trampoline lorsque vous ne l'utilisez pas. Protégez-le contre toute utilisation non autorisée.
- Le surveillant adulte ne doit pas être sous l'influence de l'alcool ou de drogues.
- Pour toute information complémentaire concernant l'équipement de trampoline, contactez le fabricant.
- Pour toute information concernant l'entraînement, contactez un instructeur de trampoline certifié.
- Ne rebondissez que lorsque la surface du lit est sèche. Le vent ou le mouvement de l'air doit être calme à doux. Le trampoline ne doit pas être utilisé en cas de rafales ou de vents violents. Le trampoline doit être démonté ou rangé à l'intérieur pendant ces types de conditions météorologiques.
- Lisez toutes les instructions avant d'utiliser le trampoline et l'enceinte du trampoline. Les avertissements et les instructions concernant le soin, l'entretien et l'utilisation de ce trampoline et de son abri sont inclus afin de promouvoir une utilisation sûre et agréable de cet équipement.
- Ne pas rebondir intentionnellement sur la barrière.
- Ne pas essayer de sauter par-dessus la barrière ou de ramper sous la barrière.
- Ne pas se suspendre, donner des coups de pied, couper ou grimper sur la barrière.
- Ne fixez rien à la barrière qui ne soit pas un accessoire approuvé par le fabricant ou une partie du système de l'enceinte.

Sécurité du trampoline et prévention des accidents

Comme dans la plupart des sports de loisirs, des accidents peuvent survenir aux participants. Cette section couvre les accidents les plus courants. Les responsabilités des personnes chargées de la surveillance et des personnes qui effectuent les sauts en matière de prévention des accidents sont également décrites. Les raisons pour lesquelles des accidents se produisent sont les suivantes:

- Tentative de saut périlleux. Une chute sur la tête ou le cou peut provoquer des blessures graves, une paralysie ou la mort, même en atterrissant au milieu du lit.
- Plus d'une personne sur le trampoline. L'utilisation par plus d'une personne et en même temps peut entraîner des blessures graves.
- Montage et démontage incorrects. Sortie et entrée du trampoline en rampant avec précaution. Ne pas sauter sur le sol pour descendre du trampoline. Ne sautez pas sur le trampoline depuis un toit ou un autre objet. Les jeunes enfants peuvent avoir besoin d'aide pour monter ou descendre du trampoline. Ne pas grimper sur le système de suspension.
- Se heurter au cadre. Restez au centre du trampoline lorsque vous sautez. Vous risquez de vous blesser en heurtant le cadre si vous perdez le contrôle. Assurez-vous que le couvercle du cadre est toujours en place et que les coussins sont bien fixés. Ne sautez pas directement sur le coussin du cadre.
- Perte de contrôle. Un sauteur qui perd le contrôle accroît les risques de blessures. Veillez à vous familiariser avec les sauts de base avant d'effectuer des sauts plus difficiles. Les sauts doivent être maîtrisés et exécutés à plusieurs reprises avant de passer au niveau supérieur. Pour reprendre le contrôle et arrêter votre saut, pliez fortement les genoux à l'atterrissage.
- L'adulte encadreur ne doit pas être sous l'emprise de l'alcool ou de drogues.
- Objets étrangers. Veuillez vous assurer qu'il n'y a rien de pointu sous et autour du trampoline. Le fait de heurter des objets sous le trampoline peut provoquer des blessures. Sauter avec un objet étranger peut également accroître les risques de blessure. Assurez-vous qu'il y a un dégagement adéquat de 2,5 mètres au-dessus et de 1,8 mètres autour du trampoline. Faites attention aux câbles aériens, aux branches d'arbres, etc.
- Mauvais temps. N'utilisez pas votre trampoline en cas de rafales de vent ou de mauvais temps. Le lit ne doit pas être mouillé.
- Mauvais entretien du trampoline. Veillez à inspecter le trampoline avant chaque utilisation. Vérifiez qu'il n'y a pas de perforations sur la toile, de bavures sur le cadre, de coutures défectueuses ou d'élastiques lâches. Si une pièce de rechange est nécessaire, veuillez appeler notre hotline pour vous en procurer une.
- Accès illimité. Le trampoline doit être couvert ou démonté lorsqu'il n'est pas utilisé. Cela empêchera les jeunes enfants non surveillés d'utiliser le trampoline.

Rôle du propriétaire et de la personne chargée de la surveillance dans la prévention des blessures et Responsabilités

Il ruolo del supervisore è assicurarsi che gli utenti conoscano tutte le regole di sicurezza e apprendano i rimbalzi di base. Devono far rispettare tutte le regole di sicurezza e le avvertenze nel manuale, nella struttura e nelle etichette. Quando un supervisore non è disponibile, il trampolino deve essere smontato o coperto per limitare l'accesso. È responsabilità del supervisore che i cartelli con i suggerimenti per la sicurezza del trampolino e per la sicurezza della rete di sicurezza vengano esaminati e tutti i saltatori siano informati sui suggerimenti.

Rôle de l'utilisateur dans la prévention des blessures et responsabilités

Le sauteur doit apprendre tous les rebonds fondamentaux de base avant de tenter des rebonds plus difficiles. Les rebonds bas et contrôlés sont un bon début avant d'apprendre les positions d'atterrissage et les combinaisons de base. Les sauteurs doivent comprendre que le contrôle est la clé d'un saut réussi.

Il est important de suivre les conseils de la pancarte.

Contactez un instructeur de trampoline certifié pour plus d'informations.

Liste des pièces

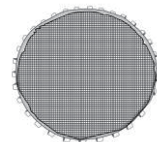
No. de Réf.	No de pièce	Description	Quantité
1	TR01	Cadre de trampoline	6
2	TR02	Pieds de trampoline	6
3	TR03	Tapis de saut	1
4	TR04	Ressort élastiques	30
5	TR05	Poteau de filet	6
6	TR06	Fond du filet	6
7	TR07	Filet	1
8	TR08	Coussin de couverture	1
9	TR09	Vis	30
10	TR10	Outil	1
11	TR11	Manuel d'instructions	1



Tr01 x 6pcs



Tr02 x 6pcs



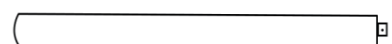
Tr03 x 1pcs



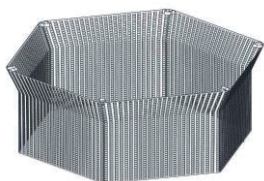
Tr04 x 30pcs



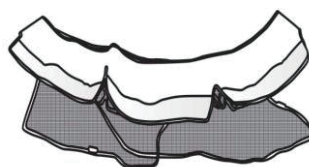
Tr05 x 6 pcs



Tr06 x 6pcs



Tr07 x 1pcs



Tr08 x 1pcs



Tr09x 30pcs



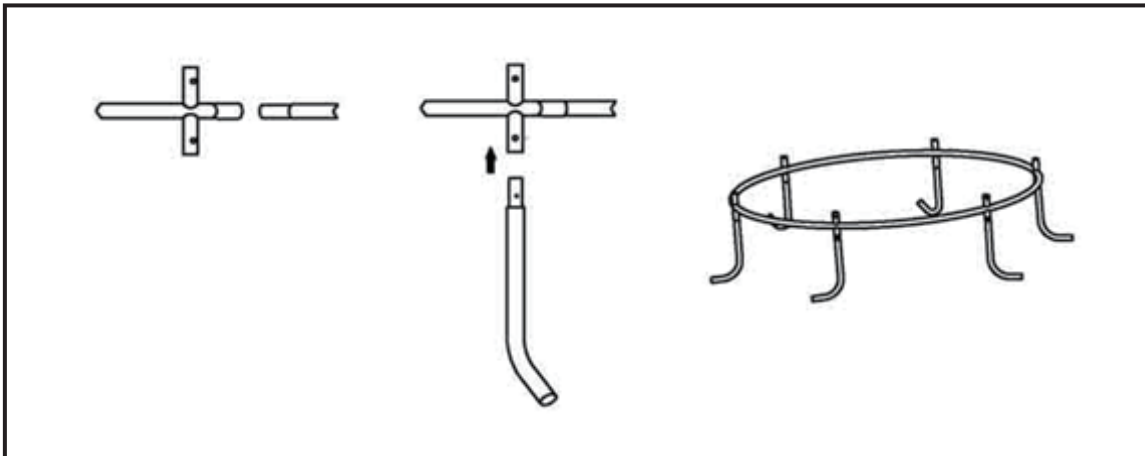
Tr10 x 1pcs



TR11 x 1pcs

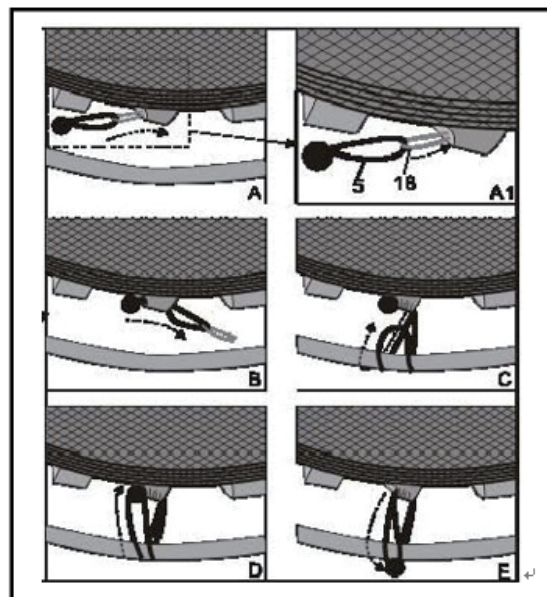
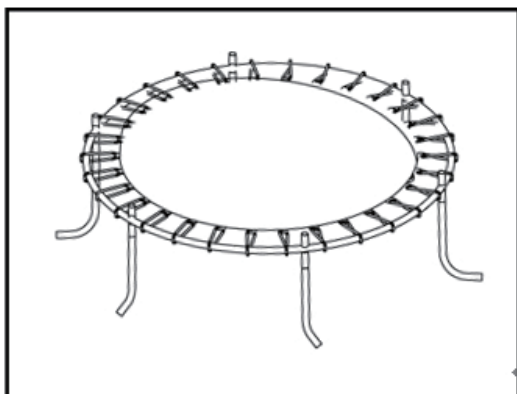
Instructions d'Assemblage

1. Posez toute la partie du trampoline sur le sol, connectez le cadre du trampoline en 6 pièces.



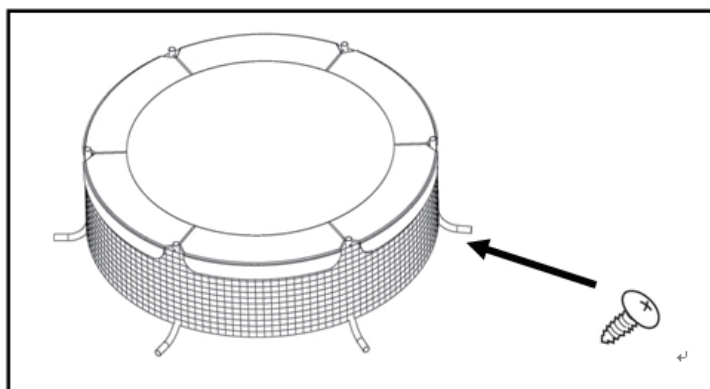
1. Installez le tube de pied dans le support principal à son tour.
2. Avec le cadre de trampoline maintenant ouvert et retirez le tapis de saut au milieu du cadre, maintenant commencer à installer les ressorts élastiques, Installez deux ressorts élastiques par deux côtés du cadre, installez le ressort élastique à l'autre côté de la cadre, continuez à installer d'autres cordes comme montré. (Attention: Installez la base de besoin de tapis de saut ci-dessous Instructions d'assemblage)

Note: Veuillez porter des gants lorsque vous installez les ressorts élastiques.

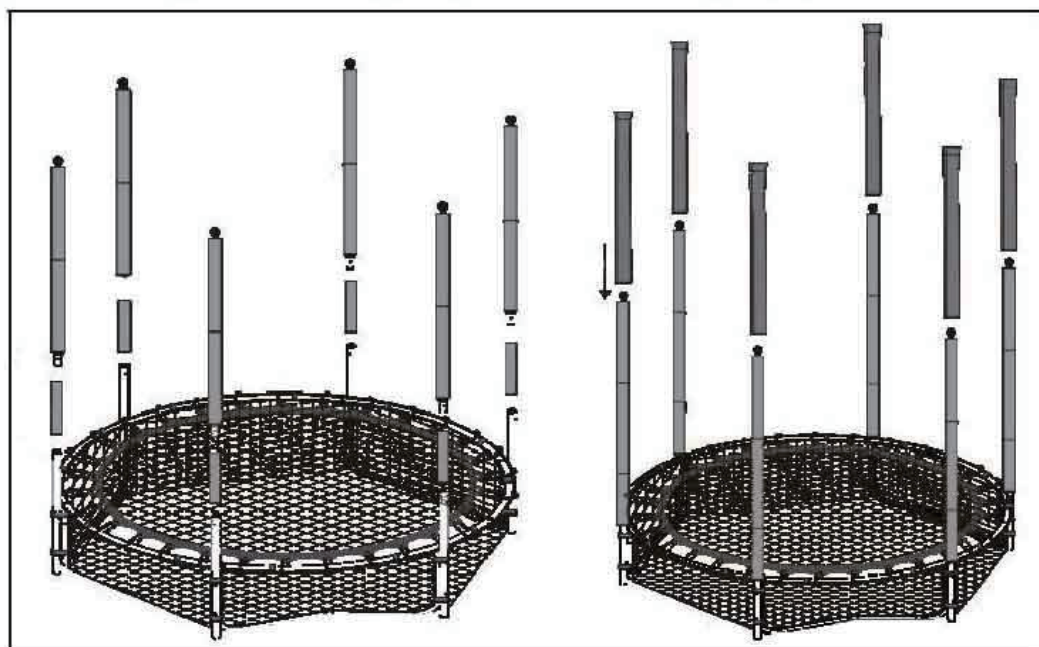


1. Placez le couvercle sur le cadre de trampoline, placez soigneusement chacune des 6 ouvertures dans le couvercle du coussin sur les prises de poteau d'enceinte correspondantes.

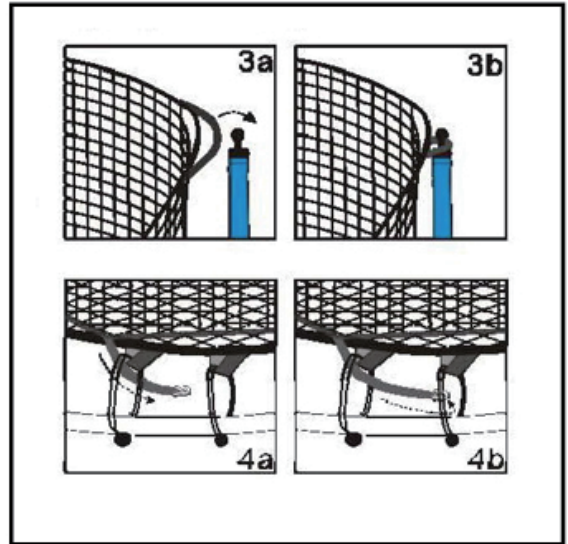
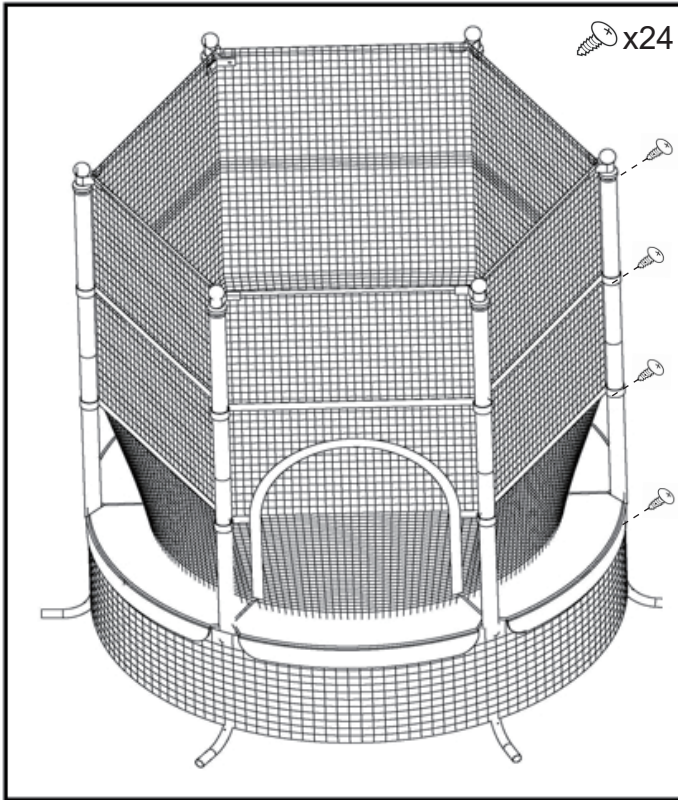
2. Mettez avec précaution la jupe en maille inférieure vers le bas, sur tout le périmètre du trampoline, à l'extérieur des jambes. Alignez l'œillet fixé au bas de la jupe en maille inférieure avec le trou situé près de la base de la jambe et fixez-le avec une vis.



6. Insérez séparément le poteau du filet supérieur et le poteau du filet inférieur dans le cadre principal.



7. Fixez le filet du haut vers le bas jusqu'au support principal avec la boucle de fixation du filet sur la tête de balle et attachez la bande élastique ci-dessous au tuyau ci-dessous.





Lea este manual antes de montar y utilizar esta cama elástica y su recinto.
 Guarde este manual para poder consultarlo más adelante.
 SOLO para niños de 3 a 10 años.
 Peso máximo del usuario 50 kg.
SE REQUIERE EL MONTAJE POR PARTE DE UN ADULTO
 Contiene piezas pequeñas, puntas y bordes afilados.
RIESGO DE CHOQUE - Piezas pequeñas - no apto para niños menores de 3 años.



**IMPORTANTE - CONSERVE ESTA INFORMACIÓN
 PARA SU CONSULTA POSTERIOR: LEER DETALLADAMENTE**

INSTRUCCIONES DE MONTAJE



ADVERTENCIA:

Lea este manual antes de montar y utilizar esta cama elástica.

Tabla de contenido

Responsabilidades	20
Advertencias.....	20
Instrucciones de montaje e instalación.....	21
Instrucciones de cuidado y mantenimiento.....	21
Instrucciones de uso	22
Seguridad de la cama elástica y prevención de accidentes.....	23
Papel del propietario y del supervisor en la prevención de lesiones y responsabilidades...23	
Papel del usuario en la prevención de lesiones y responsabilidades	23
Montaje de la cama elástica y el cerramiento.....	24-27

Responsabilidades

Aunque se hace todo lo posible para incorporar el mayor grado de protección en todos los equipos, no podemos garantizar que no se produzcan lesiones. El usuario asume todo el riesgo de lesiones debido al uso. Toda la mercancía se vende bajo esta condición, a la que ningún representante de la empresa puede renunciar o cambiar.



ADVERTENCIA:

Además de las instrucciones y precauciones proporcionadas con su Trampolín, las siguientes precauciones deben ser observadas mientras se utiliza la cubierta de seguridad del trampolín.

- O intente ni permita realizar saltos mortales en el trampolín. Aterrizar sobre la cabeza o el cuello puede causar lesiones graves, parálisis o la muerte, incluso al aterrizar en el centro de la cama.
- No permita que haya más de una persona en el trampolín o dentro del recinto del trampolín. El uso por más de una persona al mismo tiempo puede resultar en lesiones graves.
- La estructura metálica de la cama elástica conduce la electricidad. Las luces, los cables de extensión y todos los equipos eléctricos nunca deben entrar en contacto con la estructura.
- Inspeccione el recinto antes de cada uso. Asegúrese de que las correas y todas las piezas están colocadas y fijadas correctamente. Apriete cualquier pieza suelta. Sustituya cualquier pieza desgastada, defectuosa o que falte.
- Lleve ropa cómoda sin ganchos, broches, cordones o cualquier cosa que pueda engancharse o engancharse en la malla de la cabina de seguridad. Quítese las joyas, los collares y los pendientes.
- Suba y baje del trampolín solo por la entrada del recinto de seguridad y cierre bien la entrada. Los usuarios, especialmente los niños, no deben intentar entrar o salir entre la estructura de la cama elástica y el recinto. Hacerlo puede suponer un riesgo de estrangulamiento.
- No toque ni rebote la malla del recinto de seguridad mientras usa el trampolín.
- Lea todas las instrucciones y complete todo el montaje antes de permitir que su hijo utilice la cama elástica y el recinto de seguridad.
- Utilice la cama elástica y el recinto de la cama elástica solo con la supervisión de un adulto maduro y bien informado.

**Sólo para uso recreativo. No para uso profesional.
El límite de peso para el usuario de la cama elástica y
el recinto es de 50 kg.**



ADVERTENCIA: **Instrucciones de montaje e instalación**

- SE REQUIERE EL MONTAJE POR PARTE DE UN ADULTO - Contiene piezas pequeñas, puntas y bordes afilados.
- PELIGRO DE CHOQUE - Piezas pequeñas - No apto para niños menores de 3 años.
- Para uso de niños de tres (3) a diez (10) años SOLAMENTE.
- El peso máximo del usuario es de 50 kg.
- El espacio libre superior adecuado es esencial. Un mínimo de 2,5 m desde el nivel del suelo es recomendado. Proporcione espacio libre para cables, ramas de árboles y otros posibles peligros..
- El espacio libre lateral es esencial. Coloque el trampolín y el recinto del trampolín lejos de las paredes, estructuras, cercas y otras áreas de juego. Mantenga un espacio despejado en todos los lados del trampolín y recinto de trampolín. Se recomienda un mínimo de seis pies desde el borde del marco.
- Nunca instale el trampolín en condiciones de lluvia intensa, viento o tormenta, especialmente con relámpagos. Se recomienda desmontar la cama elástica y guardarla cuando haga mal tiempo.
- Coloque el trampolín y el recinto del trampolín sobre una superficie nivelada antes de usarlos.
- Asegure el trampolín y el recinto del trampolín contra el uso no autorizado y sin supervisión.
- Retire cualquier obstrucción debajo del trampolín y del recinto del trampolín antes de su uso.
- El propietario y los supervisores del trampolín y del recinto del trampolín son responsables de hacer todos los usuarios conscientes de las prácticas especificadas en las "Instrucciones de uso".



ADVERTENCIA: **Instrucciones de cuidado y mantenimiento**

Inspeccione el trampolín y el recinto del trampolín antes de cada uso y reemplace las piezas desgastadas, defectuosas o faltantes.

Las siguientes condiciones podrían representar peligros potenciales:

1. Relleno del marco, barrera o sistema de soporte del recinto (marco) y tapas de los postes faltantes, colocados incorrectamente o fijados de manera insegura.
2. Perforaciones, deshilachados, rasgaduras o agujeros desgastados en el acolchado de la cama o del armazón, el acolchado del sistema de soporte de la barrera o del recinto (armazón) y las tapas de los postes..
3. Deterioro en las costuras o la tela del acolchado de la cama o del armazón, el acolchado del sistema de soporte de la barrera o del recinto (armazón) y las tapas de los postes.
4. Cuerdas de suspensión rotas.
5. Un marco o sistema de soporte doblado o roto.
6. Una barrera o cama hundida.
7. Protuberancias afiladas en el marco o sistema de suspensión
8. Herrajes sueltos o faltantes. Siempre asegúrese de que los tornillos estén apretados antes de cada uso.



ADVERTENCIA: Instrucciones de uso

- NO intente ni permita saltos mortales en el trampolín. Caer sobre la cabeza o el cuello puede causar lesiones graves, parálisis o muerte, incluso cuando cae en medio de la cama.
- No permita más de una persona en el trampolín o dentro del recinto del trampolín. Usar por más de una persona al mismo tiempo puede provocar lesiones graves. Mantenga alejados los objetos que puedan interferir con el ejecutante. Mantenga un área despejada alrededor del trampolín.
- No permita objetos extraños o animales en el trampolín.
- Los niños solo deben usar el trampolín y el recinto del trampolín con un adulto responsable y bien informado.
- El trampolín es para uso de niños de tres (3) a diez (10) años.
- El trampolín debe armarse en su totalidad antes de cada uso. Todos los cables de suspensión deben ser unido al marco. La cubierta del marco debe estar correctamente colocada en todo momento.
- Nunca instale el trampolín en condiciones de lluvia intensa, viento o tormenta, especialmente tormentas eléctricas. Se recomienda desarmar el trampolín y almacenarlo cuando haga mal tiempo.
- Inspeccione el trampolín y el recinto antes de cada uso. Asegúrese de que la cubierta del marco, la malla de barrera y el acolchado de soporte del gabinete estén colocados de manera correcta y segura. Reemplace cualquier pieza gastada, defectuosa o faltante.
- El marco de metal del trampolín y el recinto del trampolín conducirán la electricidad. Luces, extensión nunca se debe permitir que ningún equipo eléctrico entre en contacto con el trampolín o recinto de trampolín.
- Use ropa cómoda. Quítese las joyas, collares y aretes. Use ropa sin cordones, ganchos, lazos o cualquier cosa que pueda quedar atrapada en la malla de la barrera.
- Entrar y salir del recinto únicamente por la puerta del recinto o por la abertura de la barrera designada para tal fin. Es una práctica peligrosa saltar del trampolín al suelo o suelo al desmontar, o saltar en el trampolín al montarlo. No utilice el trampolín como trampolín para otros objetos.
- Deje de rebotar flexionando las rodillas cuando los pies entren en contacto con la cama del trampolín. Aprende esta habilidad antes de intentar con otros.
- Evite rebotar demasiado alto. Manténgase agachado hasta que pueda lograr el control de rebote y el aterrizaje repetido en el centro del trampolín. El control es más importante que la altura.
- Mientras mantiene la cabeza erguida, enfoque los ojos en el trampolín hacia el perímetro. Esto ayudará a controlar el rebote.
- Evite brincar cuando esté cansado. Mantenga los turnos cortos.
- Asegure adecuadamente el trampolín cuando no esté en uso. Protéjalo contra el uso no autorizado.
- El supervisor adulto no debe estar bajo la influencia de alcohol o drogas.
- Para obtener información adicional sobre el equipo del trampolín, comuníquese con el fabricante.
- Para obtener información sobre el entrenamiento de habilidades, comuníquese con un instructor de trampolín certificado.
- Rebote solo cuando la superficie de la cama esté seca. El viento o el movimiento del aire debe ser de calma a suave. El trampolín no debe usarse con vientos fuertes o racheados. El trampolín debe desmontarse o almacenarse adentro durante este tipo de condiciones climáticas.
- Lea todas las instrucciones antes de usar el trampolín y el recinto del trampolín. Advertencias e instrucciones para el cuidado, mantenimiento y uso de este trampolín y el recinto del trampolín se incluyen para promover el uso seguro y agradable de este equipo.
- No rebote intencionalmente en la barrera.
- No intente saltar sobre la barrera ni intente arrastrarse por debajo de la barrera.
- No se cuelgue, pateo, corte o suba a la barrera.
- No adjunte nada a la barrera que no sea un accesorio aprobado por el fabricante o parte del sistema de cerramiento.

Seguridad de la cama elástica y prevención de accidentes

Como en la mayoría de los deportes recreativos, los participantes pueden lesionarse. Esta sección cubre los accidentes más comunes. También se describen las responsabilidades de los supervisores y saltadores en la prevención de accidentes.

Las siguientes son las razones por las que ocurren los accidentes:

- Intentar saltos mortales. Caer sobre la cabeza o el cuello puede causar lesiones graves, parálisis o la muerte, incluso si cae en medio de la cama.
- Más de una persona en el trampolín. El uso por más de una persona al mismo tiempo puede provocar lesiones graves.
- Montaje y desmontaje incorrecto. Arrástrase con cuidado fuera y dentro de la cama del trampolín. No salte al suelo. No salte desde un techo u otro objeto al trampolín. Los niños pequeños pueden necesitar ayuda para subir o bajar del trampolín. No se suba al sistema de suspensión.
- Golpear el marco. Manténgase en el centro del trampolín cuando salte. Se pueden producir lesiones si se golpea el marco cuando se pierde el control. Asegúrese de que la cubierta del marco esté siempre colocada y que las almohadillas estén bien sujetas. No salte directamente sobre la almohadilla del marco.
- Pérdida de control. Un saltador que pierde el control aumentará su probabilidad de lesionarse. Asegúrate de familiarizarte con los saltos básicos antes de hacer los más difíciles. Los saltos deben dominarse y realizarse repetidamente antes de pasar al siguiente nivel. Para recuperar control y detener su salto, doblar las rodillas bruscamente como tú.

El supervisor adulto no debe estar bajo la influencia del alcohol o las drogas.

- Objetos extraños. Asegúrese de que no haya nada afilado debajo y alrededor del trampolín. Golpear objetos debajo del trampolín puede causar lesiones. Saltar con un objeto extraño también puede aumentar las posibilidades de lesionarse. Asegúrese de que haya un espacio libre adecuado de 2,5 m por encima y 1.9 m alrededor del trampolín. Tenga cuidado con los cables aéreos, las ramas de los árboles, etc.
- Mal tiempo. No use su trampolín con ráfagas de viento o mal tiempo. La cama no debe estar mojada.
- Mal mantenimiento del trampolín. Asegúrese de inspeccionar el trampolín antes de cada uso. Compruebe si hay pinchazos en la cama, rebabas afiladas en el marco, costuras que se han estropeado o bandas elásticas flojas. Si necesita una pieza de repuesto, llame a nuestra línea directa para ordenar.
- Acceso ilimitado. El trampolín debe estar cubierto o desarmado cuando no esté en uso. Esto evitará que los niños pequeños usen el trampolín sin supervisión.

Papel del propietario y del supervisor en la prevención de lesiones y responsabilidades







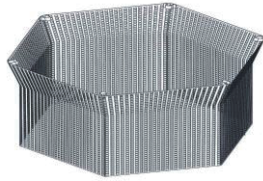
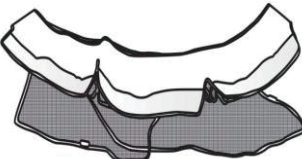



El papel del supervisor es asegurarse de que los usuarios conocen todas las reglas de seguridad, así como aprender los rebotes básicos y fundamentales. Deben hacer cumplir todas las reglas y advertencias de seguridad en el manual, el marco y las etiquetas. Cuando no haya un supervisor disponible, el trampolín se puede desarmar o cubrir para limitar el acceso. Es responsabilidad del supervisor que se revisen los carteles con los Consejos de seguridad del trampolín y Consejos de seguridad del recinto y se informe a todos los saltadores sobre los consejos.

Papel del usuario en la prevención de lesiones y responsabilidades

El saltador primero debe aprender todos los rebotes básicos y fundamentales antes de intentar los más difíciles. Los rebotes bajos y controlados son un buen comienzo antes de aprender las posiciones y combinaciones básicas de aterrizaje. Los saltadores deben comprender que el control es clave para un salto exitoso. Seguir los consejos del cartel es importante.

Lista de Partes

Número de referencia	Número de la pieza	Descripción	Unidad
1	TR01	Marco del trampolín	6
2	TR02	Patas del trampolín	6
3	TR03	Estera para salto	1
4	TR04	Resortes elásticos	30
5	TR05	Parte superior del poste de la red	6
6	TR06	Parte inferior del poste de la red	6
7	TR07	Red	1
8	TR08	Almohadilla de cubierta	1
9	TR09	Tornillos	30
10	TR10	Herramienta	1
11	TR11	Manual	1

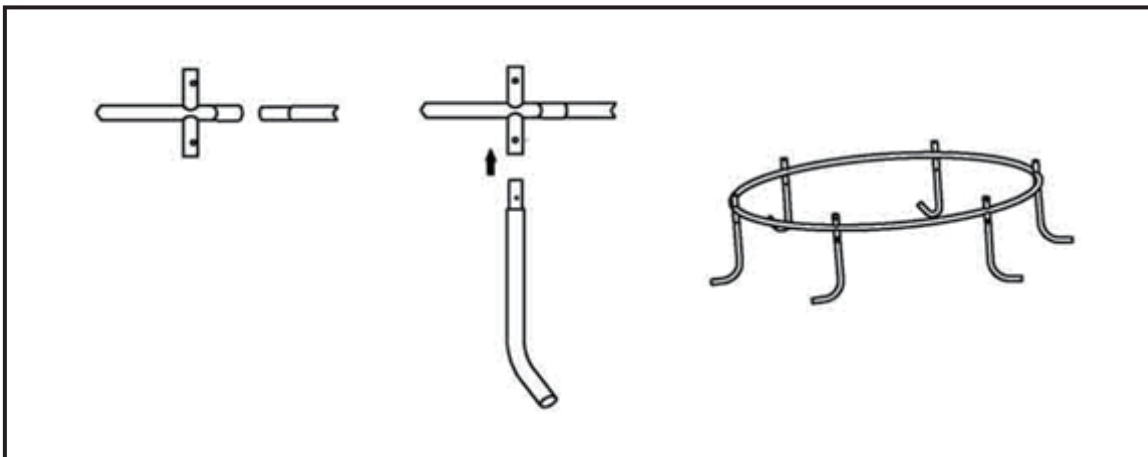
 TR01 x 6piezas	 TR02 x 6piezas	 TR03 x 1pieza
 TR04 x 30piezas	 TR05 x 6 piezas	 TR06 x 6piezas
 TR07 x 1pieza	 TR08 x 1pieza	 TR09x 30piezas
 TR10 x 1pieza	 TR11 x 1pieza	

Notas y Advertencias

1. Este trampolín no debe ser utilizado por las personas que pesen más de 45 kg.
2. Las patas del trampolín están instaladas firmemente, asegúrese de no pillarse los dedos o la mano cuando usted realice el montaje.
3. Los resortes elásticos pueden estar duros en las primeras etapas de utilizar el trampolín y se aflojarán con el tiempo. Tenga cuidado al instalar el trampolín y no dañe su cuerpo.
4. Debe utilizar este trampolín elevado sobre una alfombra de pared a pared o sobre un piso que no sea resbaladizo para que el trampolín no se deslice cuando se utiliza.

Instrucciones de montaje

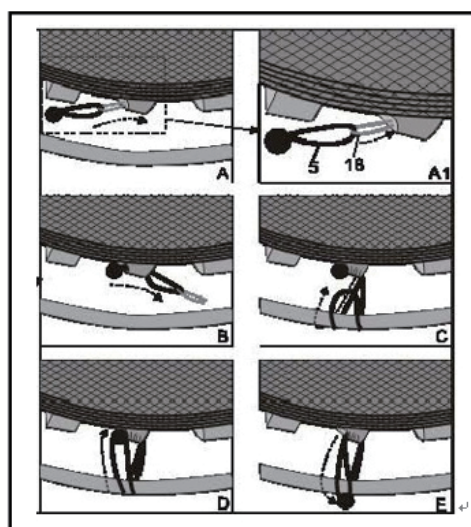
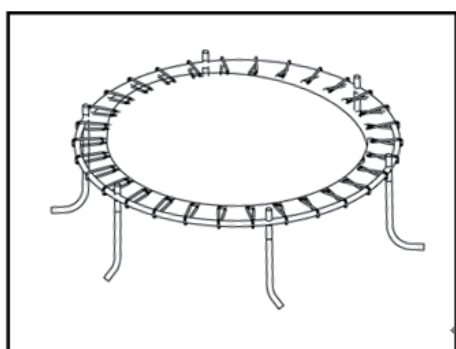
1. Coloque todas las partes del trampolín sobre el suelo, conecte las 6 piezas del marco del trampolín.



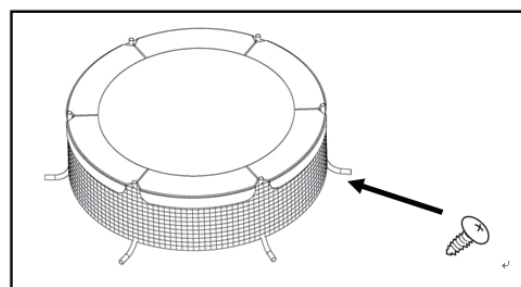
2. Instale el tubo de la pata en la rejilla principal por turno.
3. Ahora el marco del trampolín está abierto y saque la estera para salto en el

centro del marco, ahora empiece a instalar los resortes elásticos, primero instale 2 resortes elásticos en los dos lados del marco, luego instale el resorte elástico en los otros dos lados del marco. Siga instalando las otras cuerdas como lo que se muestra en la imagen. (Atención: Instale la base de la estera para salto de acuerdo con las instrucciones de montaje siguientes)

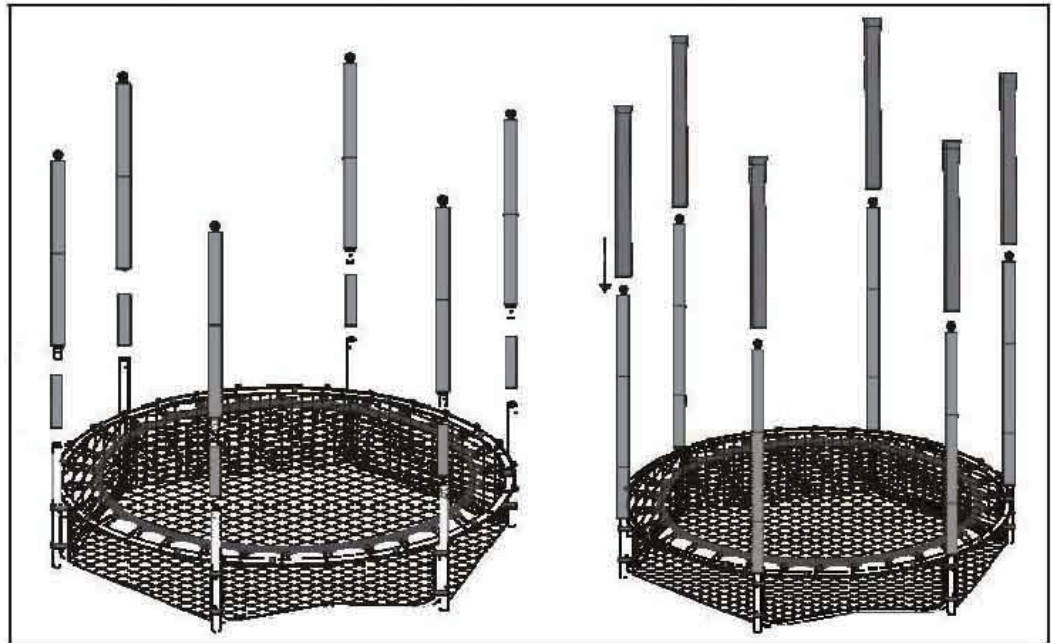
Nota: Utilice los guantes al instalar los resortes elásticos.



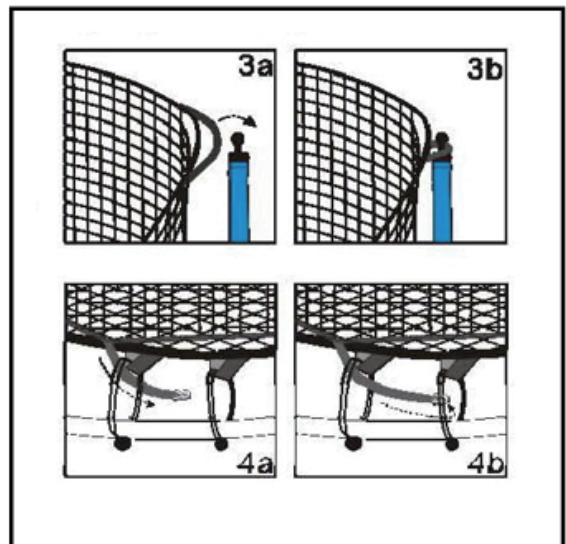
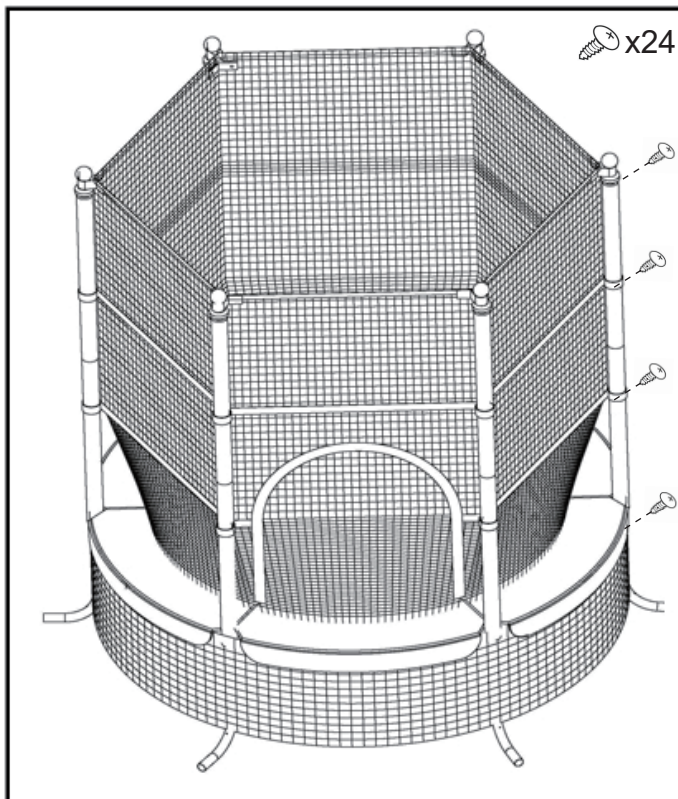
4. Coloque la almohadilla de la cubierta en el marco del trampolín, coloque cuidadosamente cada una de las 6 aberturas en la cubierta de la almohadilla sobre sus tomas de poste del recinto correspondientes.
5. Instale cuidadosamente el faldón de malla inferior hacia abajo que debe ser instalado alrededor de todo el perímetro del trampolín, en la parte exterior de las patas. Alinee el ojal unido a la parte inferior del faldón de malla inferior con el orificio correspondiente que está cerca de la base de la pata y fíjelo con un tornillo.



6. Inserire a turno il palo della rete superiore e il palo della rete inferiore nella struttura principale.



7. Fissare la rete dall'alto verso il basso alla struttura principale con la fibbia di fissaggio della rete che si trova sulla testa a sfera e legare la cinghia elastica al tubo sottostante.





Lesen Sie dieses Material vor dem Zusammenbau und der Verwendung dieses Trampolins und der Trampolinumrandung.

Bewahren Sie dieses Handbuch auf, damit Sie später darin nachschlagen können.

NUR zur Verwendung durch Kinder im Alter von 3 bis 10 Jahren.

Maximales Benutzergewicht 50kg.

MONTAGE VON ERWACHSENEN ERFORDERLICH - Enthält Kleinteile, scharfe Spitzen und scharfe Kanten.
ERSTICKUNGSGEFAHR - Kleinteile - nicht für Kinder unter 3 Jahren geeignet.

**WICHTIG - BITTE HEBEN SIE DIESE ANLEITUNG FÜR
EINE SPÄTERE BEZUGNAHME AUF: SORGFÄLTIG DURCHLESEN**

MONTAGEANLEITUNG

WARNUNG:

Lesen Sie dieses Material, bevor Sie dieses Trampolin zusammenbauen und verwenden.

Inhaltsverzeichnis

Haftung	29
Erste Warnung	29
Montage- und Installationsanleitung	30
Anweisungen zur Pflege und Wartung	30
Anweisungen zur Verwendung	31
Trampolinsicherheit und Unfallverhütung	32
Rolle des Eigentümers und der Aufsichtsperson bei der Verhinderung von Verletzungen & Verantwortlichkeiten	32
Rolle des Benutzers bei der Vorbeugung von Verletzungen und Verantwortlichkeiten	32
Zusammenbau von Trampolin und Umrandung	33-36

Haftung

Obwohl wir uns bemühen, alle Geräte mit einem Höchstmaß an Schutz auszustatten, können wir nicht für die Freiheit von Verletzungen garantieren. Der Benutzer trägt alle Risiken von Verletzungen, die durch die Verwendung entstehen können. Alle Waren werden unter dieser Bedingung verkauft, die kein Vertreter des Unternehmens aufheben oder ändern kann.



WARNUNG:

Zusätzlich zu den Anweisungen und Vorsichtsmaßnahmen, die mit Ihrem Trampolin geliefert wurden, müssen Sie bei der Verwendung der Trampolinsicherheitsumrandung die folgenden Vorsichtsmaßnahmen beachten.

- Versuchen Sie NICHT, auf dem Trampolin Purzelbäume zu schlagen, und lassen Sie dies auch nicht zu. Eine Landung auf dem Kopf oder im Nacken kann schwere Verletzungen, Lähmungen oder den Tod verursachen, selbst wenn Sie in der Mitte des Bettes landen.
- Lassen Sie nicht mehr als eine Person auf das Trampolin oder in der Trampolinumrandung. Die Verwendung durch mehr als eine Person zur gleichen Zeit kann zu schweren Verletzungen führen.
- Der Metallrahmen der Trampolinumrandung leitet Elektrizität. Lichter, Verlängerungskabel und alle anderen Elektrogeräte dürfen niemals mit der Umrandung in Kontakt kommen.
- Überprüfen Sie die Umrandung vor jeder Verwendung. Stellen Sie sicher, dass die Gurte und alle Teile richtig und sicher positioniert und angebracht sind. Ziehen Sie alle losen Teile fest. Ersetzen Sie alle abgenutzten, defekten oder fehlenden Teile.
- Tragen Sie bequeme Kleidung ohne Haken, Druckknöpfe, Kordeln oder andere Gegenstände, die sich in den Maschen der Sicherheitsumrandung verfangen oder verhaken könnten. Entfernen Sie Schmuck, Halsketten und Ohrringe.
- Klettern Sie nur durch den Eingang der Sicherheitsumrandung auf das Trampolin und schließen Sie den Eingang sicher ab. Benutzer, insbesondere Kinder, dürfen nicht versuchen, zwischen dem Rahmen des Trampolins und der Umrandung hinein- oder hinauszugehen. Dies kann eine Erdrüsselung zur Folge haben.
- Berühren Sie während der Verwendung des Trampolins nicht das Netz der Sicherheitsumrandung und lassen Sie sich nicht daran abprallen.
- Lesen Sie alle Anweisungen und schließen Sie den Zusammenbau ab, bevor Sie Ihr Kind das Trampolin und die Sicherheitsumrandung verwenden lassen.
- Verwenden Sie das Trampolin und die Trampolinumrandung nur unter Aufsicht von erfahrenen Erwachsenen.

**NUR für die Verwendung in der Freizeit. Nicht für die professionelle Verwendung.
Die Gewichtsgrenze für Benutzer des Trampolins und der Umrandung beträgt 50 kg.**



WARNUNG:

Montage- und Installationsanleitung

- MONTAGE VON ERWACHSENEN ERFORDERLICH - Enthält Kleinteile, scharfe Spitzen und scharfe Kanten.
- ERSTICKUNGSGEFAHR - Kleinteile - Nicht für Kinder unter 3 Jahren geeignet.
- NUR zur Verwendung durch Kinder im Alter von drei (3) bis zehn (10) Jahren.
- Maximales Benutzergewicht: 50 kg.
- Ausreichender Freiraum über dem Boden ist erforderlich. Ein Mindestabstand von 8 Fuß vom Erdboden wird empfohlen. Achten Sie auf genügend Abstand zu Drähten, Baumästen und anderen möglichen Gefahrenquellen.
- Seitlicher Freiraum ist unerlässlich. Bringen Sie das Trampolin und die Trampolinumrandung nicht in der Nähe von Wänden, Strukturen, Zäunen und anderen Spielbereichen an. Halten Sie an allen Seiten des Trampolins und der Trampolinumrandung einen Freiraum aufrecht. Ein Mindestabstand von sechs Fuß vom Rand des Rahmens wird empfohlen.
- Stellen Sie das Trampolin niemals bei schwerem Regen, Wind oder Sturm, insbesondere bei Gewitter, auf. Es wird empfohlen, das Trampolin bei schlechtem Wetter zu zerlegen und zu lagern.
- Bringen Sie das Trampolin und die Trampolinumrandung vor der Verwendung auf einer ebenen Oberfläche an.
- Sichern Sie das Trampolin und die Trampolinumrandung vor unbefugter und unbeaufsichtigter Verwendung.
- Entfernen Sie vor der Verwendung alle Hindernisse unter dem Trampolin und der Trampolinumrandung.
- Der Eigentümer und die Aufsichtspersonen des Trampolins und der Trampolinumrandung sind dafür verantwortlich, alle Benutzer auf die in den „Anweisungen zur Verwendung“ aufgeführten Praktiken aufmerksam zu machen.



WARNUNG:

Anweisungen zur Pflege und Wartung

Überprüfen Sie das Trampolin und die Trampolinumrandung vor jeder Verwendung und ersetzen Sie alle abgenutzten, defekten oder fehlenden Teile.

Die folgenden Bedingungen können potenzielle Gefahren darstellen:

1. Fehlende, falsch positionierte oder unsicher angebrachte Polsterungen des Rahmens, der Begrenzung oder des Stützsystems der Umrandung (des Rahmens) sowie Stangenkappen.
2. Einstiche, Ausfransungen, Risse oder Löcher in der Polsterung des Sprungbettes oder des Rahmens, der Polsterung der Begrenzung oder des Stützsystems der Umrandung (des Rahmens) und der Stangenkappen.
3. Verschleiß der Nähte oder des Gewebes der Polsterung des Bettes oder des Rahmens, der Polsterung des Stützsystems der Begrenzung oder der Stützsystems der Umrandung (Rahmen) und der Stangenkappen.
4. Gerissene Spannseile.
5. Ein gebogener oder gebrochener Rahmen oder Stützsystem.
6. Eine durchhängende Begrenzung oder Bett.
7. Scharfe Vorsprünge am Rahmen oder Stützsystem
8. Gelöste oder fehlende Beschläge. Stellen Sie immer sicher, dass die Beschläge vor jeder Verwendung fest sitzen.



WARNUNG:

Anweisungen zur Verwendung

- Versuchen Sie NICHT, auf dem Trampolin Purzelbäume zu schlagen, und lassen Sie dies auch nicht zu. Eine Landung auf dem Kopf oder im Nacken kann schwere Verletzungen, Lähmungen oder den Tod verursachen, selbst wenn Sie in der Mitte des Bettes landen.
- Lassen Sie nicht mehr als eine Person auf das Trampolin oder in der Trampolinumrandung. Die Verwendung durch mehr als eine Person zur gleichen Zeit kann zu schweren Verletzungen führen. Bewahren Sie Gegenstände auf, die den Ausführenden stören könnten. Halten Sie einen Freiraum um das Trampolin herum.
- Keine Fremdkörper oder Tiere auf das Trampolin lassen.
- Kinder sollten das Trampolin und die Trampolinumrandung nur unter Aufsicht von Erwachsenen verwenden, die über entsprechende Kenntnisse verfügen.
- Das Trampolin ist für die Verwendung durch Kinder im Alter von drei (3) bis zehn (10) Jahren geeignet.
- Das Trampolin sollte vor jeder Verwendung vollständig zusammengebaut werden. Alle Spannseile müssen am Rahmen angebracht sein. Die Abdeckung des Rahmens muss zu jeder Zeit richtig positioniert sein.
- Stellen Sie das Trampolin niemals bei schwerem Regen, Wind oder Sturm, insbesondere bei Gewitter, auf. Es wird empfohlen, das Trampolin bei schlechtem Wetter zu zerlegen und zu lagern.
- Überprüfen Sie das Trampolin und die Umrandung vor jeder Verwendung. Stellen Sie sicher, dass die Abdeckung des Rahmens, das Begrenzungsnetz und die Polsterung des Stützsystems richtig und sicher positioniert sind. Ersetzen Sie alle abgenutzten, defekten oder fehlenden Teile.
- Der Metallrahmen des Trampolins und der Trampolinumrandung leitet Elektrizität. Lichter, Stromkabel und alle anderen elektrischen Geräte dürfen niemals mit dem Trampolin oder der Trampolinumrandung in Kontakt kommen.
- Tragen Sie bequeme Kleidung. Entfernen Sie Schmuck, Halsketten und Ohrringe. Tragen Sie Kleidung ohne Haken, Schlaufen oder sonstige Gegenstände, die sich in den Begrenzungsnetzen verfangen können.
- Betreten und verlassen Sie die Umrandung nur an der Tür der Umrandung oder der Öffnung der Begrenzung, die für diesen Verwendungszweck vorgesehen ist. Es ist gefährlich, beim Absteigen vom Trampolin auf die Erde oder den Boden zu springen oder bei beim Besteigen auf das Trampolin zu springen. Benutzen Sie das Trampolin nicht als Sprungbrett für andere Objekte.
- Stoppen Sie das Springen, indem Sie die Knie beugen, wenn die Füße mit dem Trampolinbett in Kontakt kommen. Lernen Sie diese Fähigkeit, bevor Sie andere versuchen.
- Vermeiden Sie es, zu hoch zu hüpfen. Bleiben Sie so tief, bis Sie die Sprungkraft kontrollieren und wiederholt in der Mitte des Trampolins landen können. Die Kontrolle ist wichtiger als die Höhe.
- Halten Sie den Kopf aufrecht und konzentrieren Sie Ihren Blick auf das Trampolin in Richtung des Randes. Das hilft Ihnen, die Sprungkraft zu kontrollieren.
- Vermeiden Sie das Springen, wenn Sie müde sind. Schränken Sie die Sprungzeit ein.
- Sichern Sie das Trampolin ordnungsgemäß, wenn es nicht verwendet wird. Schützen Sie es vor unbefugter Verwendung.
- Die erwachsene Aufsichtsperson darf nicht unter dem Einfluss von Alkohol oder Drogen stehen.
- Für zusätzliche Daten zum Gerät kontaktieren Sie bitte den Hersteller.
- Für Daten zum Training der Fähigkeiten kontaktieren Sie bitte einen zertifizierten Trampolinlehrer.
- Springen Sie nur, wenn die Oberfläche des Bettes trocken ist. Der Wind oder die Luftbewegung sollte ruhig bis leicht sein. Das Trampolin darf nicht bei böigem oder starkem Wind verwendet werden. Das Trampolin sollte bei solchen Wetterbedingungen zerlegt oder drinnen gelagert werden.
- Lesen Sie alle Anweisungen, bevor Sie das Trampolin und die Trampolinumrandung verwenden. Warnungen und Anweisungen zur Pflege, Wartung und Verwendung dieses Trampolins und der Trampolinumrandung werden mitgeliefert, um die sichere und angenehme Verwendung des Geräts zu steigern.
- Springen Sie nicht absichtlich gegen die Begrenzung.
- Versuchen Sie nicht, über die Begrenzung zu springen oder unter die Begrenzung zu kriechen.
- Hängen Sie nicht an die Begrenzung, treten Sie nicht dagegen, schneiden Sie sie nicht und klettern Sie nicht darauf.
- Befestigen Sie keine Gegenstände an der Netzumrandung, die nicht vom Hersteller zugelassenes Zubehör oder Teil des Feldsystems sind.

Trampolinsicherheit und Unfallverhütung

Wie bei den meisten Freizeitsportarten können die Teilnehmer verletzt werden. Dieser Abschnitt deckt die allgemeinsten Unfälle ab. Die Verantwortlichkeiten der Aufsichtspersonen und Springer bei der Unfallverhütung werden ebenfalls erläutert.

Folgendes sind die Gründe, warum Unfälle passieren:

- Der Versuch, einen Salto zu schlagen. Eine Landung auf dem Kopf oder im Nacken kann schwere Verletzungen, Lähmungen oder den Tod verursachen, selbst wenn Sie in der Mitte des Bettes landen.
- Mehr als eine Person auf dem Trampolin. Die Verwendung durch mehr als eine Person zur gleichen Zeit kann zu schweren Verletzungen führen.
- Falsche Anbringung und Demontage. Sorgen Sie dafür, dass Sie vorsichtig aus dem und in das Trampolinbett krabbeln. Springen Sie nicht auf den Boden. Springen Sie nicht von einem Dach oder einem anderen Gegenstand auf das Trampolin. Kleinkinder können Hilfe benötigen, um auf das Trampolin ein oder auszusteige. Stellen Sie sich nicht auf das Spannsystem.
- Anstoßen an den Rahmen. Bleiben Sie beim Springen in der Mitte des Trampolins. Wenn Sie die Kontrolle über das Trampolin verlieren, kann es zu Verletzungen kommen, wenn Sie gegen den Rahmen stoßen. Achten Sie darauf, dass die Abdeckung des Rahmens immer montiert ist und die Felder sicher befestigt sind. Springen Sie nicht direkt auf das Feld des Rahmens.
- Verlust der Kontrolle. Ein Springer, der die Kontrolle verliert, erhöht sein Verletzungsrisiko. Machen Sie sich unbedingt mit den grundlegenden Sprüngen vertraut, bevor Sie weitere Sprünge wagen. Sie sollten die Sprünge beherrschen und sie wiederholt durchführen, bevor Sie sich zum nächsten Niveau bewegen. Um die Kontrolle wiederzuerlangen und Ihren Sprung zu stoppen, biegen Sie bei der Landung die Knie stark.
- Die erwachsene Aufsichtsperson darf nicht unter dem Einfluss von Alkohol oder Drogen stehen.
- Fremdkörper. Stellen Sie sicher, dass sich keine scharfen Gegenstände unter und um das Trampolin befinden. Das Auftreffen auf Gegenstände unter dem Trampolin kann Verletzungen verursachen. Das Springen mit einem Fremdkörper kann auch das Risiko erhöhen, sich zu verletzen. Achten Sie darauf, dass sich 8 Fuß über und 6 Fuß um das Trampolin herum ein ausreichender Freiraum befindet. Achten Sie auf Verkabelungen, Baumstämme usw.
- Schlechtes Wetter. Verwenden Sie Ihr Trampolin nicht bei böigem Wind oder schlechtem Wetter. Das Bett sollte nicht nass sein.
- Schlechte Wartung des Trampolins. Stellen Sie sicher, dass Sie das Trampolin vor jeder Verwendung inspizieren. Prüfen Sie es auf Einstiche am Bett, scharfe Gitter am Rahmen, verschlissene Nähte oder lockere Elastikbänder. Wenn Sie ein Ersatzteil benötigen, rufen Sie bitte Ihre Bestellung bei unserer Hotline an.
- Uneingeschränkter Zugang. Das Trampolin sollte abgedeckt oder abgebaut werden, wenn es nicht verwendet wird. Dadurch wird verhindert, dass unbeaufsichtigte Kleinkinder das Trampolin verwenden.

Die Rolle des Eigentümers und des Aufsichtspersonals bei der Vorbeugung von Verletzungen & Verantwortlichkeiten

Die Aufgabe des Aufsichtspersonals besteht darin sicherzustellen, dass die Benutzer alle Sicherheitsregeln kennen und die grundlegenden Sprünge lernen. Sie müssen alle Sicherheitsregeln und Warnungen im Handbuch, im Rahmen und auf den Etiketten durchsetzen. Wenn keine Aufsichtsperson zur Verfügung steht, kann das Trampolin demontiert oder abgedeckt werden, um den Zugang zu beschränken. Die Aufsichtsperson ist dafür verantwortlich, dass die Schilder mit den Sicherheitstipps für das Trampolin und die Umrandung überprüft und alle Springer über die Tipps informiert werden.

Die Rolle des Benutzers bei Vorbeugung von Verletzungen & Verantwortlichkeiten

Der Springer muss zunächst alle grundlegenden Sprünge kennenlernen, bevor er sich an anspruchsvollere Sprünge wagt. Niedrige, kontrollierte Sprünge sind ein guter Start, bevor die grundlegenden Landepositionen und Kombinationen gelernt werden. Die Springer müssen verstehen, dass die Kontrolle der Schlüssel für einen erfolgreichen Sprung ist.

Es ist wichtig, den Tipps auf dem Schild zu folgen.

Kontaktieren Sie einen zertifizierten Trampolintrainer für weitere Daten.

Teilliste

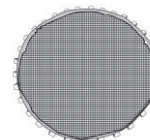
Ref. Numme	Teilnr.	Beschreibung	Anzahl
1	TR01	Trampolin-Rahmen	6
2	TR02	Trampolin-Beine	6
3	TR03	Sprungmatte	1
4	TR04	Elastische Federn	30
5	TR05	Mastspitze Netz	6
6	TR06	Netzmast unten	6
7	TR07	Netz	1
8	TR08	Abdeckpolster	1
9	TR09	Schrauben	30
10	TR10	Werkzeug	1
11	TR11	Handbuch	1



Tr01 x 6 Stck.



Tr02 x 6 Stck.



Tr03 x 1 Stck.



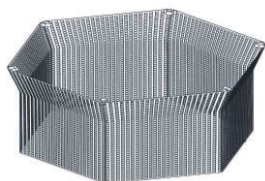
Tr04 x 30 Stck.



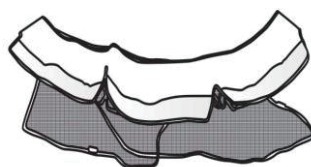
Tr05 x 6 Stck.



Tr06 x 6 Stck.



Tr07 x 1 Stck.



Tr08 x 1 Stck.



Tr09x 30 Stck.



Tr10 x 1 Stck.



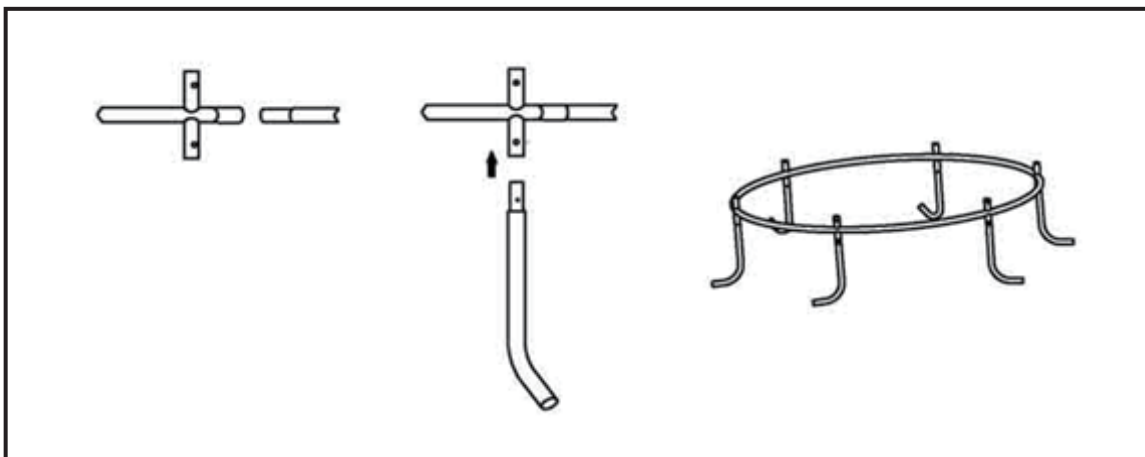
Tr11 x 1 Stck.

Hinweise und Warnungen

1. Dieses Produkt sollte nicht von Personen verwendet werden, die mehr als 45 kg wiegen.
2. Die Beine des Trampolins sind fest montiert, bitte achten Sie darauf, dass Sie sich beim Zusammenbau nicht die Finger oder die Hand einklemmen.
3. Die elastischen Federn können in der Anfangsphase der Benutzung des Trampolins steif sein und lösen sich mit der Zeit. Bitte seien Sie beim Einbau des Trampolins vorsichtig und verletzen Sie Ihren Körper nicht.
4. Muss ein erhöhtes Trampolin auf einem Teppich von Wand zu Wand oder auf einem Boden verwenden, der nicht rutschig ist, damit das Gerät beim Gebrauch nicht rutscht.

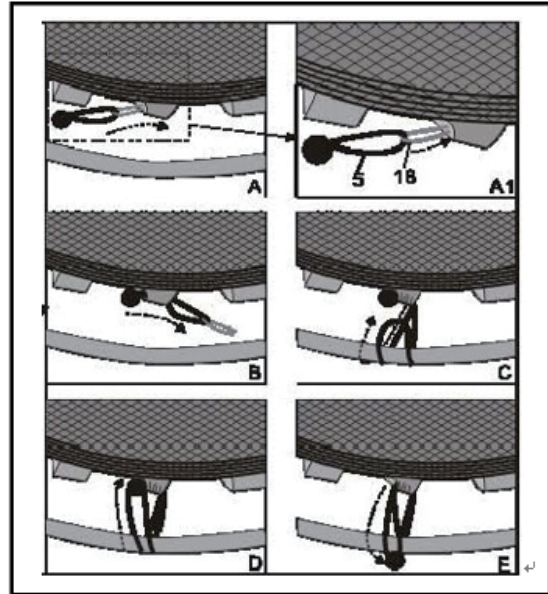
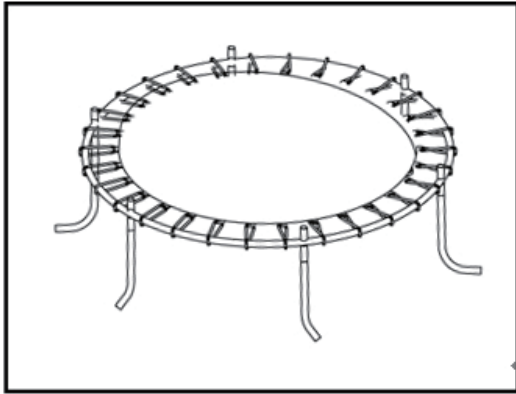
Montageanweisungen

1. Legen Sie das gesamte Trampolinteil auf den Boden, verbinden Sie den 6-teiligen Trampolinrahmen.



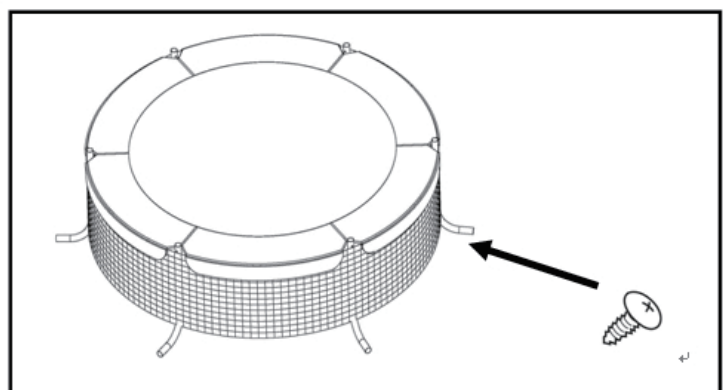
2. Installieren Sie das Beinrohr nacheinander in das Hauptgestell.
3. Wenn der Trampolinrahmen jetzt geöffnet ist und die Sprungmatte in der Mitte des Rahmens herausgenommen wird, beginnen Sie jetzt mit dem Einbau der elastischen Federn. Installieren Sie zwei elastische Federn an zwei Seiten des Rahmens. Installieren Sie die elastische Feder an den beiden anderen Seiten des Rahmens. (Achtung: Installieren Sie die Sprungmatte auf der Basis der untenstehenden Montageanleitung)

Hinweis: Bitte tragen Sie Handschuhe, wenn Sie die elastischen Federn installieren.

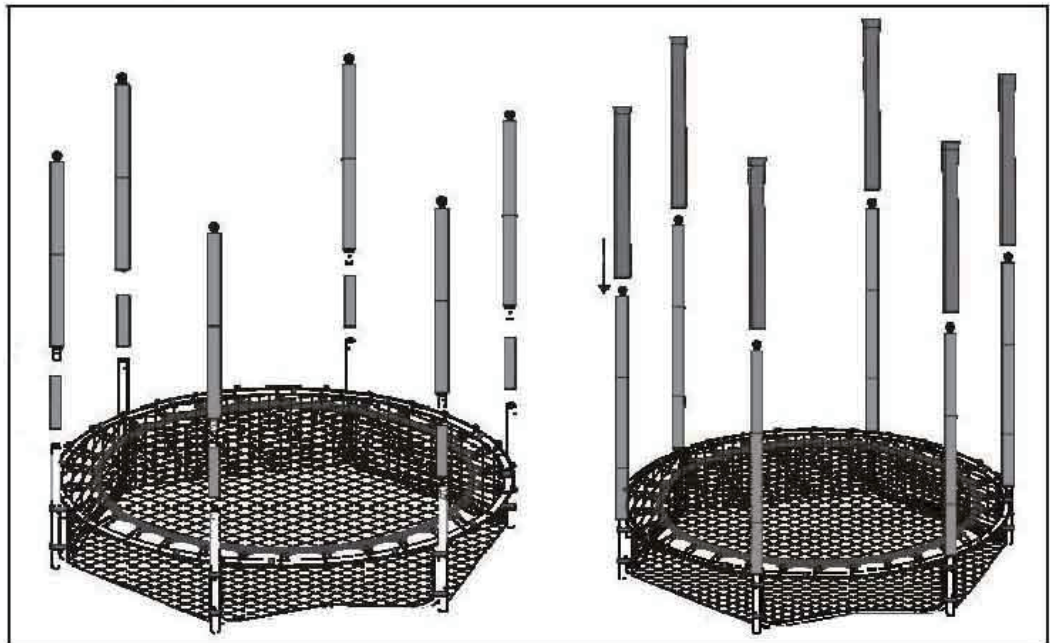


4. Legen Sie das Abdeckpolster auf den Trampolinrahmen. Positionieren Sie jede der 6 Öffnungen in der Polsterabdeckung vorsichtig über den entsprechenden Buchsen der Gehäusestangen.

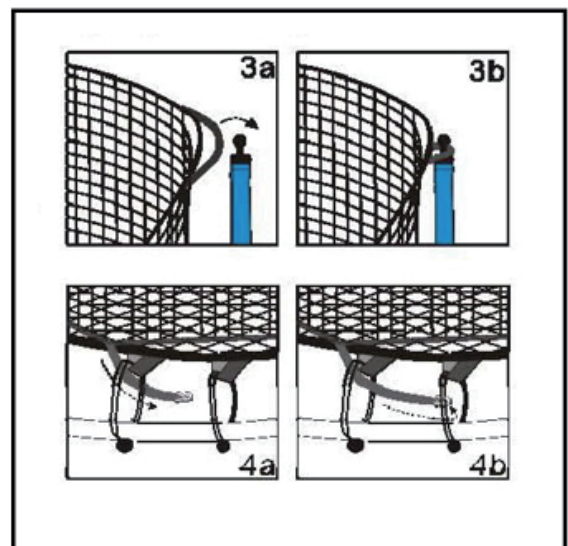
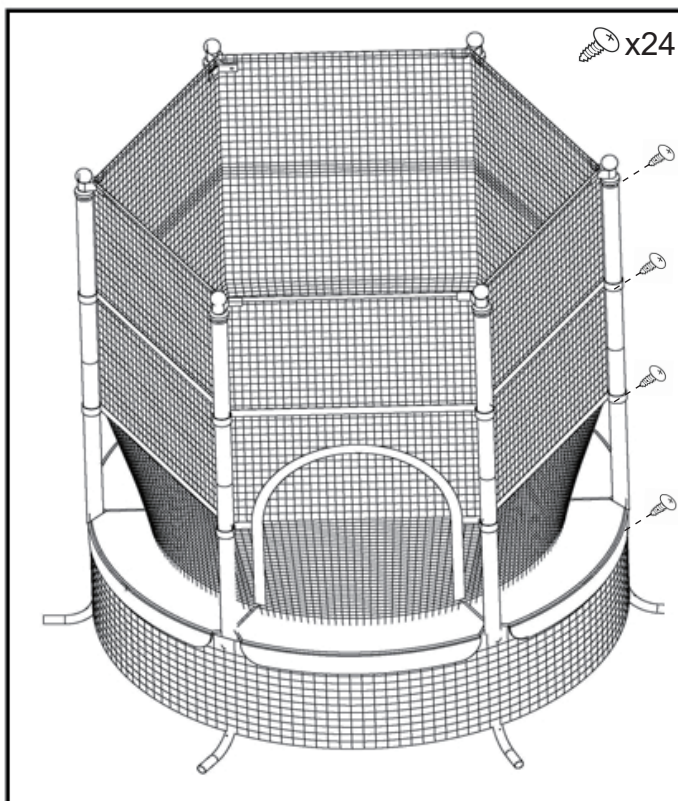
5. Arbeiten Sie vorsichtig die untere Maschenschürze um den gesamten Umfang des Trampolins herum an der Außenseite der Beine herunter. Richten Sie die an der Unterseite der unteren Maschenschürze angebrachte Öse auf das Loch in der Nähe der Beinbasis aus und befestigen Sie sie mit einer Schraube.



6. Setzen Sie den oberen und den unteren Netzpfeiler getrennt in den Hauptrahmen ein.



7. Befestigen Sie das Netz von oben nach unten am Hauptgestell mit der Befestigungsschnalle des Netzes am Ballkopf und binden Sie das darunter liegende Gummiband an das darunter liegende Rohr.





Si prega di leggere queste istruzioni prima di assemblare e utilizzare questo trampolino e questa recinzione del trampolino.

Conservare il presente manuale in modo da poterlo consultare in seguito.

Uso SOLO per i bambini dai 3 ai 10 anni.

Peso massimo dell'utente: 50kg.

OBBLIGATORIO MONTAGGIO DA ADULTO - Contiene piccole parti, punte affilate e spigoli vivi.

RISCHIO DI SOFFOCAMENTO - Piccole parti non sono per bambini di età inferiore a 3 anni.



**IMPORTANTE - CONSERVARE QUESTE INFORMAZIONI
PER CONSULTARLE IN SEGUITO: LEGGERE ATTENTAMENTE**

ISTRUZIONI DI ASSEMBLAGGIO



AVVERTENZA:

Si prega di leggere questi istruzioni prima di assemblare e utilizzare il trampolino.

TABELLA DEI CONTENUTI

Responsabilità.....	38
Avvertenza Preliminare.....	38
Istruzioni di Montaggio e Installazione.....	39
Istruzioni di Cura e Manutenzione	39
Istruzioni di Uso.....	40
Sicurezza del Trampolino e Prevenzione degli infortuni	41
Ruolo Supervisore del Proprietario in Prevenzione degli Infortuni & Responsabilità.....	41
Ruolo dell'Utente in Prevenzione di Infortuni & Responsabilità.....	41
Assemblaggio di Trampolino e Recinzione.....	42-45

Responsabilità

Anche se si è fatto ogni sforzo per realizzare il massimo grado di protezione in tutte le attrezzature, non possiamo garantire l'assenza delle lesioni. L'utente si assume tutti i rischi di lesioni a causa dell'uso. Tutti i prodotti vengono venduti a queste condizioni, a cui nessun rappresentante dell'azienda può rinunciare o modificare.



AVVERTENZA:

Oltre alle istruzioni e precauzioni fornite insieme con il trampolino, si deve osservare le seguenti precauzioni durante l'utilizzo della rete di sicurezza del trampolino.

- NON tentare o consentire salti mortali sul trampolino. Atterrare sulla testa o sul collo può causare gravi lesioni, paralisi o morte, anche quando si atterra al centro del telo.
- Non consentire a più di una persona di salire sul trampolino o all'interno della rete di sicurezza del trampolino. L'utilizzo da parte di più persone allo stesso tempo può provocare lesioni gravi.
- La struttura metallica della rete di sicurezza del trampolino conduce l'elettricità. Le luci e i cavi di prolungamento e tutte le apparecchiature elettriche di questo tipo non devono mai entrare in contatto con la recinzione.
- Controllare la rete di sicurezza prima di ogni utilizzo. Assicurarsi che le cinghie e tutte le parti siano posizionate e fissate correttamente e saldamente. Stringere qualsiasi componenti allentati. Sostituire le parti usurate, difettose o mancanti.
- Indossare indumenti confortevoli senza ganci, bottoni a pressione, coulisse o qualsiasi cosa che possa impigliarsi o agganciarsi nella rete della recinzione di sicurezza. Rimuovere gioielli, collane e orecchini. Salire e scendere dal trampolino solo attraverso l'ingresso della rete di sicurezza e chiudere saldamente l'ingresso. Gli utenti, in particolare i bambini, non devono tentare di entrare o uscire tra la struttura del trampolino e la rete di sicurezza in quanto ciò potrebbe comportare un rischio di strangolamento.
- Non toccare o rimbalsarsi sulla rete di sicurezza nell'utilizzo del trampolino.
- Leggere tutte le istruzioni e completare il montaggio prima di consentire al bambino di utilizzare il trampolino e la rete di sicurezza.
- Utilizzare il trampolino e la rete di sicurezza del trampolino solo con la supervisione di un adulto maturo e competente.

**SOLO per uso ricreativo. Non per uso professionale.
Il limite di peso per l'utente del trampolino e della recinzione è di 50kg.**

AVVERTENZA: Istruzioni di montaggio e installazione

- **OBBLIGATORIO MONTAGGIO DA ADULTO** - Contiene piccole parti, punte affilate e spigoli vivi.
- **RISCHIO DI SOFFOCAMENTO** - Piccole parti - Non adatto a bambini di età inferiore a 3 anni.
- **SOLO** per bambini di età compresa tra tre (3) e dieci (10) anni.
- Il peso massimo dell'utente è di 50kg.
- È essenziale uno spazio libero adeguato. Si consiglia un minimo di 8 pollici dal livello del suolo. Fornire spazio per stare lontano da cavi, rami di alberi e altri possibili pericoli.
- La distanza laterale è essenziale. Posizionare il trampolino e la rete di sicurezza del trampolino lontano da muri, strutture, recinzioni e altre aree di gioco. Mantenere uno spazio libero su tutti i lati del trampolino e della rete di sicurezza del trampolino. Si consiglia un minimo di sei piedi dal bordo della struttura.
- Non installare mai il trampolino in condizioni di forte pioggia, vento o tempesta, in particolare temporali con fulmini. Si consiglia di smontare il trampolino e di riporlo in caso di maltempo.
- Posizionare il trampolino e la rete di sicurezza del trampolino su una superficie piana prima dell'uso.
- Proteggere il trampolino e la rete di sicurezza del trampolino da un uso non autorizzato e senza supervisione.
- Rimuovere eventuali ostacoli sotto il trampolino e dalla rete di sicurezza del trampolino prima dell'uso.
- Il proprietario e i supervisori del trampolino e della rete di sicurezza del trampolino sono responsabili di rendere tutti gli utenti consapevoli delle pratiche specificate nelle "Istruzioni per l'uso".

AVVERTENZA: Istruzioni di Cura e Manutenzione

Controllare il trampolino e la rete di sicurezza del trampolino prima di ogni utilizzo e sostituire le parti usurate, difettose o mancanti.

Le seguenti condizioni potrebbero rappresentare potenziali pericoli:

1. L'imbottitura della struttura, la rete di sicurezza, il sistema di supporto della rete di sicurezza (struttura), o i tappi dei montanti sono mancanti, posizionati in modo errato o fissati in modo non sicuro.
2. Forature, sfilacciature, lacerazioni o buchi usurati nell'imbottitura del telo o della struttura, nell'imbottitura del sistema di supporto della rete di sicurezza (struttura) e nei tappi di montanti.
3. Deterioramento delle cuciture o del tessuto dell'imbottitura del telo o della struttura, dell'imbottitura del sistema di supporto della rete di sicurezza (struttura) e dei tappi dei montanti.
4. Le corde di sospensione rotti.
5. la struttura o il sistema di supporto piegato o rotto.
6. La rete o il telo diventano cascanti.
7. Sporgenze dei componenti sulla struttura o sul sistema di sospensione, o
8. I componenti allentati o mancanti. Assicurarsi sempre che i componenti sono tutti stretti prima di ogni utilizzo.



AVVERTENZA:

Istruzioni di Uso

- NON tentare o consentire salti mortali sul trampolino. Atterrare sulla testa o sul collo può causare gravi lesioni, paralisi o morte, anche quando si atterra al centro del telo.
- Non consentire a più di una persona di salire sul trampolino o all'interno della rete di sicurezza del trampolino. L'utilizzo da parte di più persone allo stesso tempo può provocare lesioni gravi.
- Tenere lontani gli oggetti che potrebbero interferire con il giocatore. Mantenere un'area libera intorno al trampolino. Non consentire oggetti estranei o animali sul trampolino.
- I bambini devono utilizzare il trampolino e la rete di sicurezza del trampolino solo con la supervisione di un adulto maturo e competente.
- Il trampolino è destinato ai bambini dai tre (3) ai dieci (10) anni.
- Il trampolino deve essere assemblato completamente prima di ogni utilizzo. Tutte le corde di sospensione devono essere fissate alla struttura. La copertura della struttura deve essere sempre posizionata correttamente.
- Non installare mai il trampolino in condizioni di forte pioggia, vento o tempesta, in particolare temporali con fulmini. Si consiglia di smontare il trampolino e di riporlo in caso di maltempo.
- Controllare il trampolino e la rete di sicurezza prima di ogni utilizzo. Assicurarsi che il rivestimento della struttura, la rete della sicurezza e l'imbottitura del supporto della custodia siano posizionati correttamente e saldamente. Sostituire le parti usurate, difettose o mancanti.
- La struttura metallica del trampolino e della rete di sicurezza del trampolino condurrà l'elettricità. Le luci, i cavi di allungamento e tutte queste apparecchiature elettriche non devono mai entrare in contatto con il trampolino o la rete di sicurezza del trampolino.
- Indossare abiti confortevoli. Rimuovere gioielli, collane e orecchini. Indossare indumenti senza cordoni, ganci, anelli o qualsiasi cosa che possa rimanere impigliata nella rete di sicurezza.
- Entrare e uscire dal trampolino solo dall'ingresso della rete di sicurezza o dall'apertura della recinzione designata a tale scopo. È pericoloso saltare dal trampolino a terra o all'ingresso quando si scende o saltare sul trampolino durante il montaggio. Non utilizzare il trampolino come trampolino di lancio per altri oggetti.
- Smettere di rimbalzare irritando le ginocchia quando i piedi entrano in contatto con il telo del trampolino. Imparare questa abilità prima di tentarne altre.
- Evitare di rimbalzare troppo in alto. Rimanere i rimbalzi bassi fino a quando non puoi ottenere il controllo del rimbalzo e l'atterraggio ripetuto al centro del trampolino. Il controllo è più importante dell'altezza.
- Mantenere la testa eretta, focalizzando gli occhi verso il perimetro del trampolino e il che aiuterà a controllare il rimbalzo.
- Evitare di rimbalzare quando si sente stanchi. Mantenere breve l'attività d'imbalzo.
- Fissare adeguatamente il trampolino quando non viene utilizzato. Prevenire l'uso non autorizzato.
- Il supervisore adulto non deve essere sotto l'influenza di alcol o droghe.
- Per ulteriori informazioni sull'attrezzatura del trampolino, contattare il produttore.
- Per informazioni sull'addestramento delle abilità, contattare un istruttore di trampolino certificato.
- Rimbalzare solo quando la superficie del telo è asciutta. Il movimento del vento o dell'aria dovrebbe essere da calmo a leggero. Il trampolino non deve essere utilizzato in presenza di forti venti. Il trampolino deve essere smontato o conservato al chiuso durante questi tipi di condizioni meteorologiche.
- Leggere tutte le istruzioni prima di utilizzare il trampolino e la rete di sicurezza del trampolino. Le avvertenze e le istruzioni per la cura, la manutenzione e l'uso di questo trampolino e di questa rete di sicurezza del trampolino sono incluse per contribuire ad un uso sicuro e piacevole di questa attrezzatura.
- Non rimbalzare intenzionalmente sulla rete di sicurezza.
- Non tentare di saltare oltre la rete o tentare di strisciare sotto la rete.
- Non appendersi, calciare, tagliare o arrampicarsi sulla rete.
- Non collegare nulla alla rete che non sia un accessorio approvato dal produttore o parte del sistema di rete di sicurezza.

Sicurezza del Trampolino e Prevenzione degli Infortuni

Proprio come in tanti sport ricreativi, i partecipanti possono essere feriti. Questa sezione illustrano gli incidenti più comuni. Sono sottolineati anche le responsabilità dei supervisori e dei saltatori nella prevenzione degli infortuni.

I seguenti sono le cause per cui si verificano gli incidenti:

- Tentare i salti mortali. Atterrare sulla testa o sul collo può causare gravi lesioni, paralisi o morte, anche quando si atterra al centro del telo.
- Più di una persona sul trampolino. L'utilizzo da parte di più persone allo stesso tempo può portare alle lesioni gravi.
- Montaggio e smontaggio in modo errato. Entrare e uscire con attenzione dalla telo del trampolino. Non saltare a terra. Non saltare da un tetto o da altri oggetti al di sopra del trampolino. I bambini piccoli potrebbero aver bisogno di assistenza per salire o scendere dal trampolino. Non salire sul sistema di sospensione.
- Colpire la struttura. Rimanere al centro del trampolino quando si salta;. Quando si perde il controllo e colpisce la struttura, si potrebbe subire lesioni. Assicurarsi che la copertura della struttura sia sempre inserita e che le imbottiture siano ben fissate. Non saltare direttamente sulle imbottiture della struttura.
- Perdita di controllo. Un saltatore che perde il controllo aumenterà le sue possibilità di infortunio. Assicurarsi di familiarizzare con i salti di base prima di fare quelli più difficili. I salti dovrebbero essere padroneggiati, eseguiti ripetutamente prima di passare al livello successivo. Per riprendere il controllo e fermare il salto, si deve piegare pienamente le ginocchia mentre si atterra.
- Il supervisore adulto non deve essere sotto l'influenza di alcol o droghe.
- Oggetti estranei. Assicurarsi che non ci sia niente di affilato sotto e intorno al trampolino. Colpire oggetti sotto il trampolino può causare lesioni. Anche saltare con un oggetto estraneo può aumentare le possibilità di ferirsi. Assicurarsi che ci sia spazio adeguato 8 piedi sopra e 6 piedi intorno al trampolino. Fare attenzione ai cavi sopraelevati, ai rami degli alberi, ecc.
- Intemperie. Non utilizzare il trampolino in caso di forte vento o condizioni meteorologiche avverse. Il telo non dovrebbe essere bagnato.
- Scarsa manutenzione del trampolino. Assicurarsi di controllare il trampolino prima di ogni utilizzo. Verificare la presenza di forature sul telo, sbavature taglienti sulla struttura, cuciture deteriorate o elastici allentati. Se è necessario sostituire un componente, chiamare la nostra hotline per ordinare.
- Accesso illimitato. Il trampolino deve essere coperto o smontato quando non viene utilizzato. Ciò impedirà ai bambini piccoli senza supervisione di utilizzare il trampolino.

Ruolo Supervisore del Proprietario in Prevenzione degli Infortuni & Responsabilità

Il ruolo del supervisore è assicurarsi che gli utenti conoscano tutte le regole di sicurezza e apprendano i rimbalzi di base. Devono far rispettare tutte le regole di sicurezza e le avvertenze nel manuale, nella struttura e nelle etichette. Quando un supervisore non è disponibile, il trampolino deve essere smontato o coperto per limitare l'accesso. È responsabilità del supervisore che i cartelli con i suggerimenti per la sicurezza del trampolino e per la sicurezza della rete di sicurezza vengano esaminati e tutti i saltatori siano informati sui suggerimenti.

Ruolo dell'Utente in Prevenzione di Infortuni & Responsabilità

Il saltatore deve imparare tutti i rimbalzi fondamentali prima di tentare quelli più difficili. I rimbalzi bassi e controllati sono un buon inizio prima di imparare gli altri imbalzi o le combinazioni di azioni di rimbalzo di base. I saltatori devono capire che il controllo è la chiave per un salto di successo. Seguire i suggerimenti sui cartelli è importante. Contattare un istruttore di trampolino certificato per ulteriori informazioni.

Teilliste

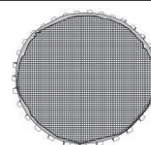
Numero Ref.	Numero Parte	Descrizione	Unita'
1	TR01	Struttura trampolino	6
2	TR02	Gambe trampolino	6
3	TR03	Materasso elastico	1
4	TR04	Rondelle elastiche	30
5	TR05	Parte superiore palo rete	6
6	TR06	Parte inferiore palo rete	6
7	TR07	Rete	1
8	TR08	Cuscinetti protettivi	1
9	TR09	Viti	30
10	TR10	Chiave	1
11	TR11	Manuale	1



Tr01 x 6pz



Tr02 x 6pz



Tr03 x 1pz



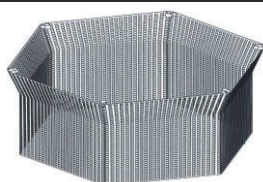
Tr04 x 30pz



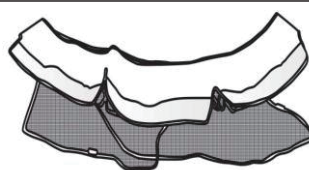
Tr05 x 6 pz



Tr06 x 6pz



Tr07 x 1pz



Tr08 x 1pz



Tr09x 30pz



Tr10 x 1pz



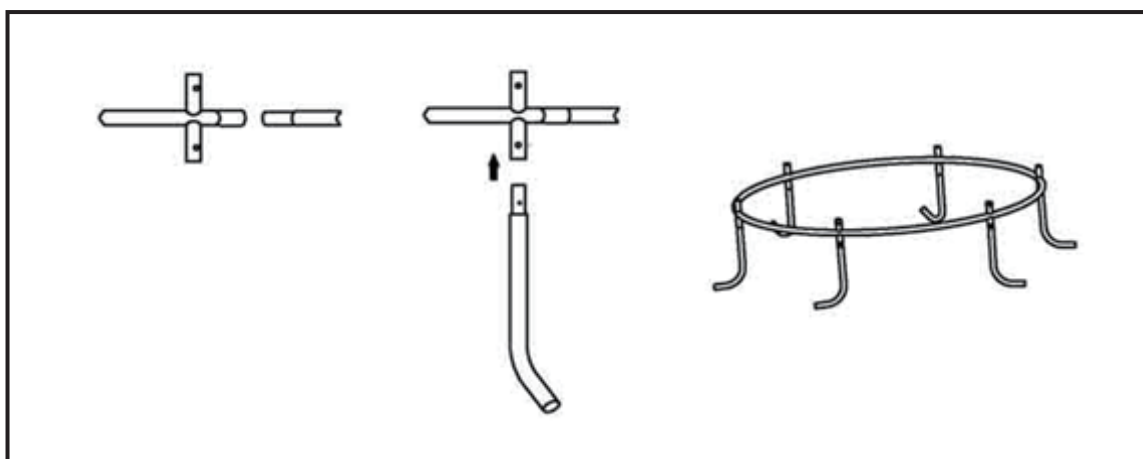
Tr11 x 1pz

Note & Avvertenze

1. Questo prodotto non deve essere utilizzato da persone che pesano più di 45 kg.
2. Le gambe del trampolino vanno installate saldamente, assicurarsi di non impigliare le dita o la mano durante l'assemblaggio.
3. Le molle elastiche possono essere rigide nelle prime fasi di utilizzo del trampolino ma si allenteranno nel tempo. Fare attenzione mentre si installa il trampolino e non procurarsi lesioni.
4. Utilizzare il trampolino rialzato su un tappeto o su un pavimento che non sia scivoloso in modo che esso non scivoli quando in uso.

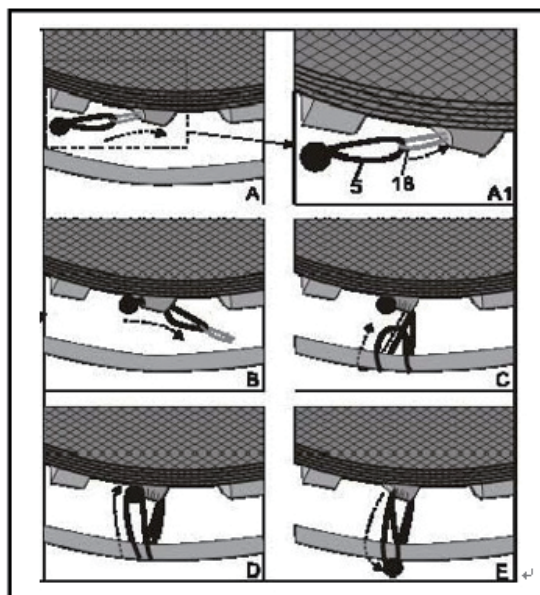
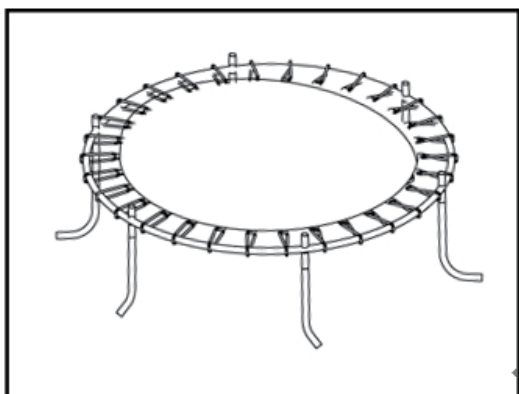
Istruzioni di Montaggio

1. Posizionare tutte le parti del trampolino sul pavimento, connettere i 6 pezzi del telaio del trampolino.



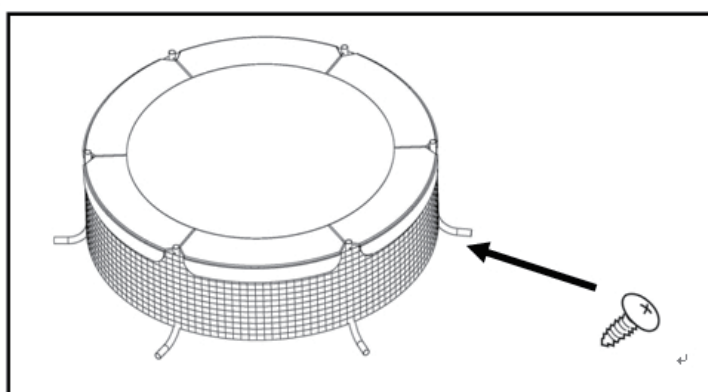
1. Installare a turno i tubi delle gambe nella struttura principale.
2. Con il telaio del trampolino ora aperto, estrarre il materasso elastico e metterlo al centro del telaio, iniziare installando le molle elastiche, due molle elastiche su due lati del telaio, installare poi una molla elastica su altri due lati del telaio, e continuare fissando le corde come mostrato. (attenzione: installazione della base necessaria per il materasso elastico spiegata nelle istruzioni di montaggio seguenti)

Nota: indossare i guanti quando si installano le molle elastiche.

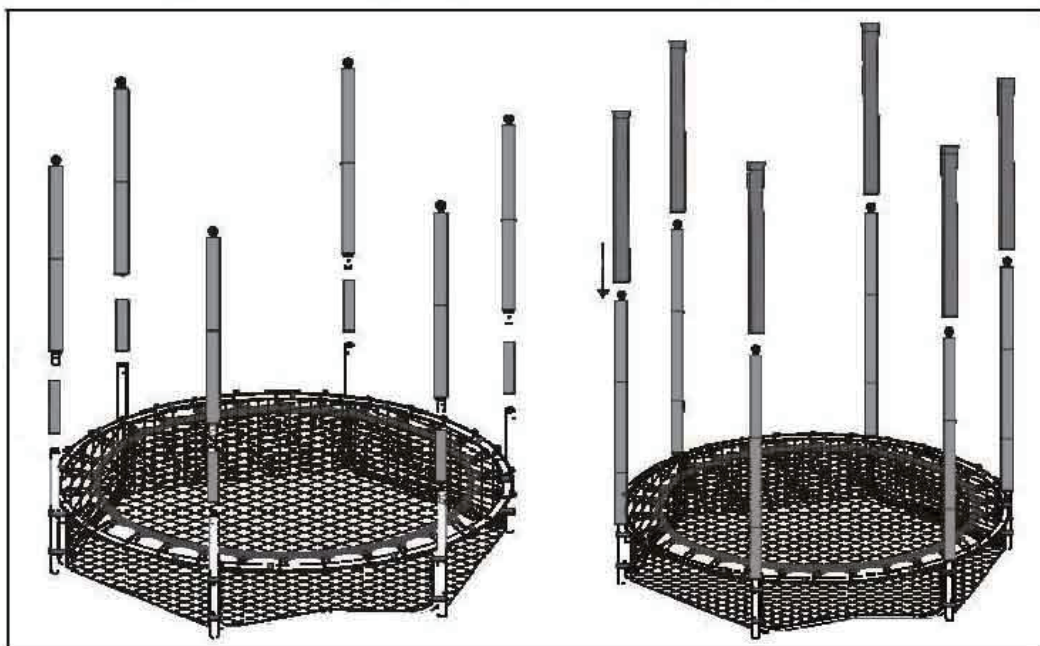


4. Posizionare l'imbottitura protettiva sulla struttura del trampolino, posizionare con attenzione ciascuna delle 6 aperture nell'apposita parte dell'imbottitura sulle corrispondenti prese dei poli.

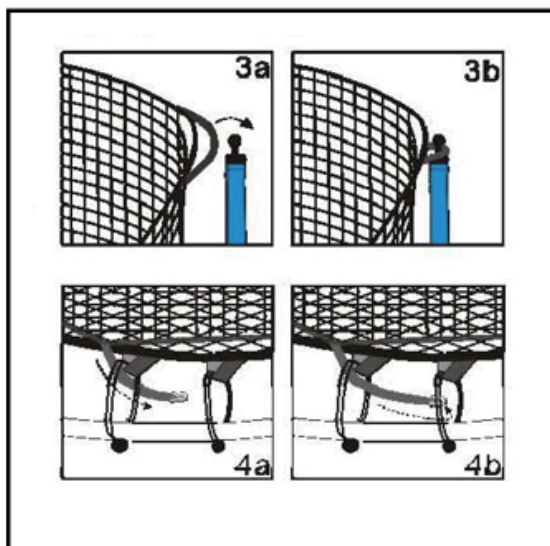
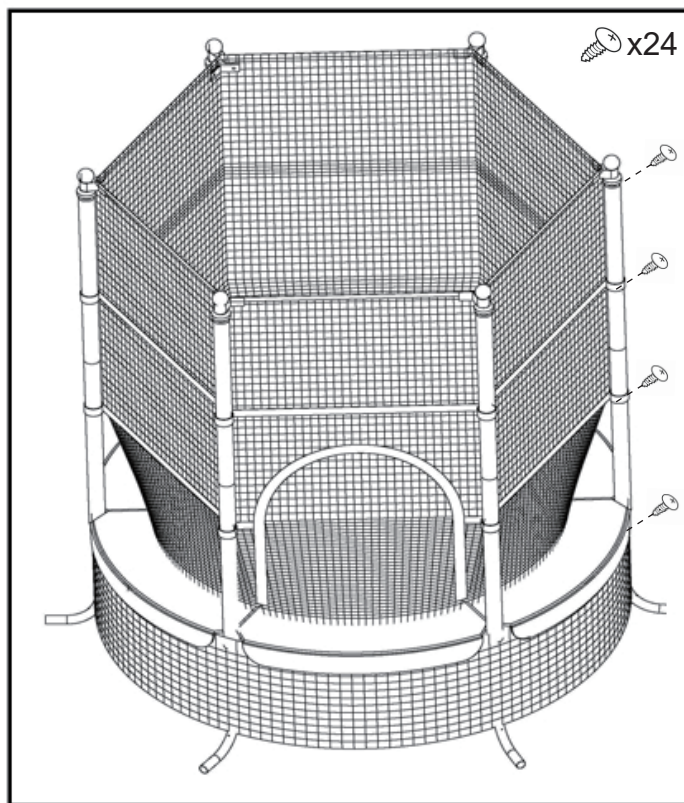
5. Fissare con cura la maglia della rete inferiore verso il basso, lungo tutto il perimetro del trampolino, all'esterno delle gambe. Allineare il gommino nella parte inferiore rete inferiore con il foro vicino alla base della gamba e fissarlo con la vite.



6. Inserire a turno il palo della rete superiore e il palo della rete inferiore nella struttura principale.



7. Fissare la rete dall'alto verso il basso alla struttura principale con la fibbia di fissaggio della rete che si trova sulla testa a sfera e legare la cinghia elastica al tubo sottostante.



UK

If you have any questions, please contact our customer care center.

Our contact details are below:



0044-800-240-4004



enquiries@mhstar.co.uk

IMPORTER ADDRESS:

MH STAR UK LTD

Unit 27, Perivale Park,
Horsenden lane South
Perivale, UB6 7RH
MADE IN CHINA

ES

Si tiene alguna pregunta, comuníquese con nuestro Centro de Atención al Cliente. Nuestros datos de contacto son los siguientes:



0034-931294512



atencioncliente@aosom.es

IMPORTADOR:

SPANISH AOSOM, S.L.

C/ ROC GROS, N° 15. 08550, ELS HOSTALETS DE
BALENYÀ, SPAIN.
B66295775

WWW.AOSOM.ES

ATENCIONCLIENTE@AOSOM.ES

TEL: 931294512

HECHO EN CHINA

FR

Si vous avez la moindre question, veuillez contacter notre centre d'assistance à la clientèle.

Nos coordonnées sont les suivantes:



0033-1-84166106



aosom@mhfrance.fr

Importé par:

MH France

2, rue Maurice Hartmann
92130 Issy-les-Moulineaux
France
Fabriqué en Chine

PT

Se tiver alguma dúvida, por favor contacte o nosso Centro de Atendimento ao Cliente. Os nossos dados de contacto são os seguintes:



0034-931294512



info@aosom.pt.

IMPORTADOR:

SPANISH AOSOM, S.L

C.ROC GROS N.15, 08550. ELS HOSTALETS DE BALENYÀ
TEL: 931294512 (SEG-SEX DAS 7:30H ÀS 16:30H)

INFO@AOSOM.PT

WWW.AOSOM.PT

DE

Wenn Sie Fragen haben, wenden Sie sich bitte an unser Kundendienstzentrum.

Unsere Kontaktdaten stehen unten:



0049-0(40)-88307530



service@aosom.de

ADRESSE DES IMPORTEUR:

MH Handel GmbH
Wendenstraße 309
D-20537 Hamburg
Germany
IN CHINA HERGESTELLT

IT

In caso di dubbio, si prega di contattare il nostro centro assistenza clienti. I nostri dettagli di contatto sono di seguito:



0039-0249471447



clienti@aosom.it

IMPORTATO DA:

AOSOM Italy srl

Centro Direzionale Milanofiori

Strada 1 Palazzo F1

20057 Assago (MI)

P.I.: 08567220960

FATTO IN CINA



FR
DONNEZ
OU
RECYCLEZ

 OU  OU 

ASSOCIATION **LIVRAISON** **DÉCHÈTERIE**

Adresses sur quefairedemesdechets.fr

Aosom