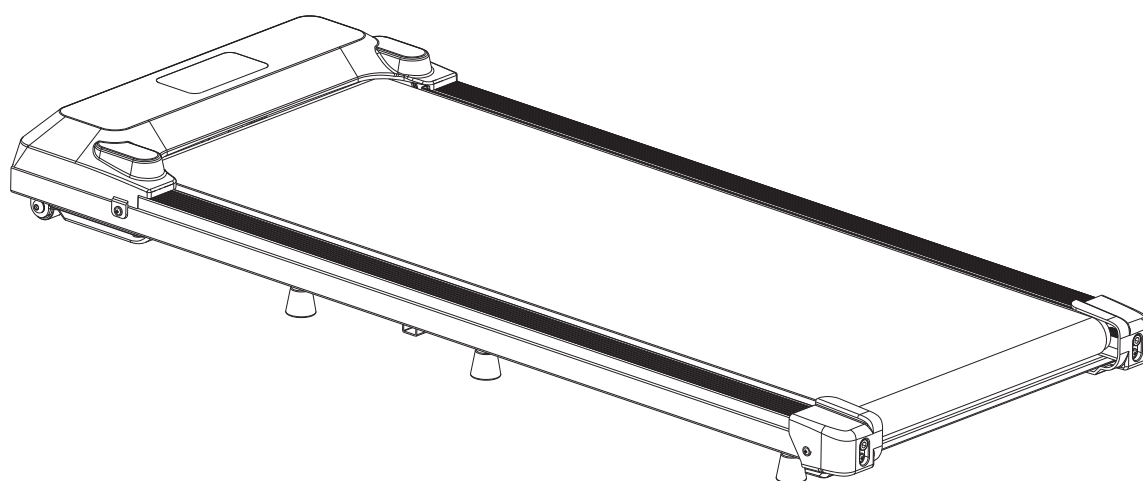


SPORTNOW

IN230700114V01_UK

A90-347V70_A90-347V90



**UK
CA
CE**

IMPORTANT, RETAIN FOR FUTURE REFERENCE: READ CAREFULLY

INSTRUCTION MANUAL

Catalogue

1、 Safety precautions and warnings	-----02
2、 Product introduction	-----04
3、 Operation instructions	-----06
4、 Common faults and treatment methods	----08
5、 product maintenance	-----09

Safety precautions and warnings

1. Pay attention

To avoid injury, please read this manual carefully before use.

▶ For safety

See you. Don't stand on the strip at the start.

▶ If you feel vomiting or jerky during use, please stop using immediately.

Please adjust your speed slowly.

Do not adjust the belt during use.

▶ Sports shoes are recommended when using the machine.

▶ Children, the elderly, pregnant women and patients are not allowed to use it.

▶ This product is suitable for home use, not suitable for professional training and testing, and cannot be used for medical purposes.

2. Safety precautions

▶ Please put the machine on the level ground. This machine should not be placed in the following places

① In the open air. (This machine is designed for indoor use)

② A sloping floor or place on a balcony.

③ Near sunny areas or heaters. A noisy place.

▶ Errors may occur if the power supply is unstable. Do not use the same socket as the computer or air conditioner.

▶ Sports shoes and sports clothes are recommended for use.

▶ Please increase and decrease the speed slowly.

▶ Do not place the machine near wet objects. The error may be caused by water droplets.

▶ If the power cord is damaged, it must be replaced by professionals from the manufacturer, its maintenance department or similar departments to avoid danger.

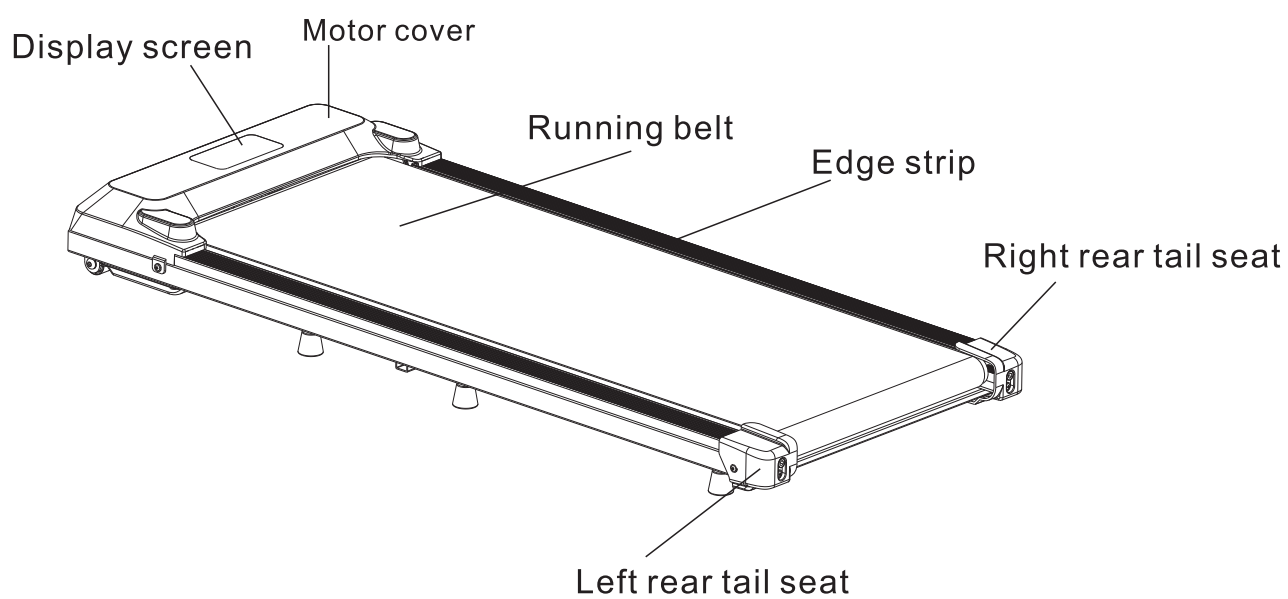
▶ Keep the oil bottle out of reach of children. If ingested or in eyes, rinse with water and seek medical attention.

▶ 1m(1000mm) space should be left on both sides and in front of the walking machine, and 2mx1m(2000mm*1000mm) space should be left behind for emergency jumping away.

3. Precautions when using

- ▶ If you feel uncomfortable before use, consult your doctor or instructor.
- ▶ The company does not assume any responsibility for physical injury caused by improper use of users.
- ▶ Please unplug after use.
- ▶ If the machine moves, please unplug or replace the parts. Children, the elderly, pregnant women are not allowed to use. Patients should consult their doctor before using it.
- ▶ Please put the machine on a flat place. Do not place anything 2M behind the machine.
- ▶ Water droplets are strictly prohibited from entering the machine, especially the motor, power cord and plug.
- ▶ In the process of use, such as wearing long skirts or other inappropriate clothing, may cause danger. It is strictly prohibited to use in closed places, places with no air circulation and inflammable places.
- ▶ Don't put anything on the machine. Remove the plug from a heated area or stove seat.
- ▶ Please turn off the power switch and unplug it after use.
- ▶ Do not stand directly on the conveyor belt during startup. Do not disassemble the machine without professional operation.
- ▶ Be sure to tie the running belt before use.
- ▶ Don't jump up and down on the machine while exercising. Injuries may result from a fall.
- ▶ The machine must be grounded. In the event of a failure, grounding will provide a path of least resistance for the current to reduce the risk of shock. 000mm) space should be left behind for emergency jumping away.

2、Product introduction



Packing list:

No.	Name	Qty.	Remark
1	Main body	1	
2	Spare parts package	1	See table


Technical Parameters:

Operating voltage	AC 220V 50Hz
Maximum load	100 kg
Product size	1180*490*115 mm
Running area	380*1000 mm
Motor power	0.75 HP
Display speed	1.0-6.0 km/h
Control mode	Remote control

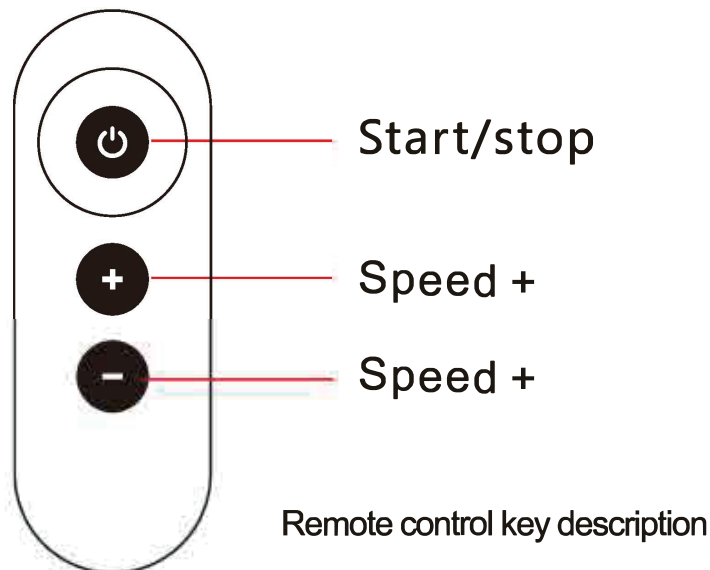
Spare parts list:

NO.	Name	Qty.	Remark
1	5mm hex wrench	1	Other
2	6mm hex wrench	1	Adjusting belt
3	spanner	1	
6	Remote control	1	
7	Methyl silicone oil	2	
8	Specification, certificate of qualification	1	

3. Operation instructions

1. power on, check whether the machine is normal.
2. Before exercise, check whether the stability and function of the walking machine are normal. It is strictly prohibited to start the walking machine while standing on the running belt. When starting up, press the "  " key of the remote control with one hand, the walking machine will start with a delay of 3 seconds and run at a speed of 1.0 km/h. Press "+" and the motor speeds up to 2.5-3km/h (which is a comfortable speed for learning to run). Step on the belt one by one and you'll soon be running at the same speed as the belt.
3. after a few minutes can speed up running, press the "+" button, slow growth; You can also press the - key to slow it down.
4. You can press the remote control at any time during the movement. Key to stop the motor.

Tip: This remote control does not need pairing, just open the walking machine, and then unplug the paper inserted in the remote control battery.



Display Window and Key Description

1. LED window displays the following functions:

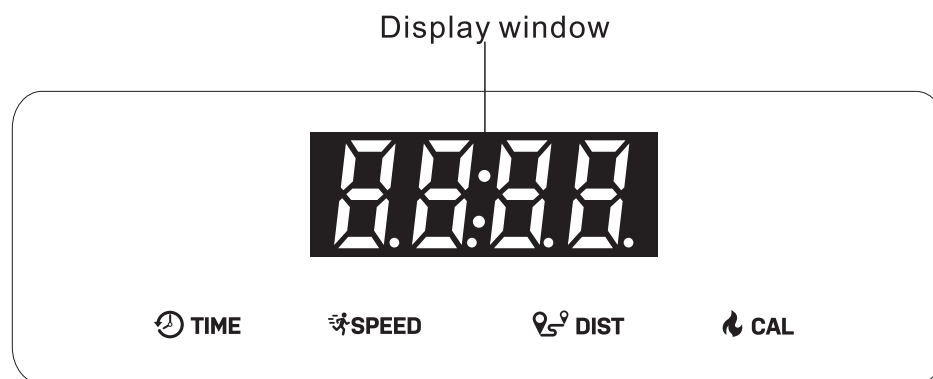
Three windows display time, speed, distance and calorie data, and time and speed are switched,

Time display range: 0:00-99:59

Distance display range: 0.00-99.9

Speed display range: 0.6-3.8

Calories display range: 0.00-999



Starting instruction

1. Turn on the power switch and the system enters the standby state.

2. The window displays the 3-second rewind meter, and the buzzer sounds once every minus one before starting the motor.

3, Starting speed: 0.6mph, you can press the speed of the remote control +, one button to adjust the speed.

4. Common Failures and Troubleshooting

Please call our dealer or our after-sales service team if you have any other questions.

Questions	Possible Causes	Maintenance Methods
Treadmill does not work.	Not connected.	Insert plug into socket.
	Power is not turned on.	Put the power switch in position "ON".
	Safety lock dropped.	Put the safety lock in the correct position.
	Circuit signal system broken.	Check the controller input terminal and signal circuit.
	Fuse blew out.	Replace the fuse.
The running belt doesn't run smoothly.	Insufficient lubrication.	Add silicone oil lubricant.
	Belt is too tight.	Adjust belt tightness.
Running belt slipped.	Running belt too loose.	Adjust running belt tightness.
	Running belt too tight.	Adjust running belt tightness.

Error messages on electronic meter and elimination methods.

Questions	Possible Causes	Maintenance Methods
E01	Poor connection.	The signal line is not plugged it. Plug it in again.
E02	The motor wire is loose or falling off, or the carbon brush is worn out.	Check whether the motor cable is loose or falling off. If it does not fall off, check whether the carbon brush of the motor is worn out. If it is worn out, replace the motor. If it is not worn out, the electric controller is damaged. Replace the electric controller.
E05	Overload protect activated.	Overload. Replace controller.
E06	System self-check failed.	System failure. Replace controller.
Abnormal display	External disturbance.	Turn off power switch,turn on it after one minute.

5. Product Maintenance



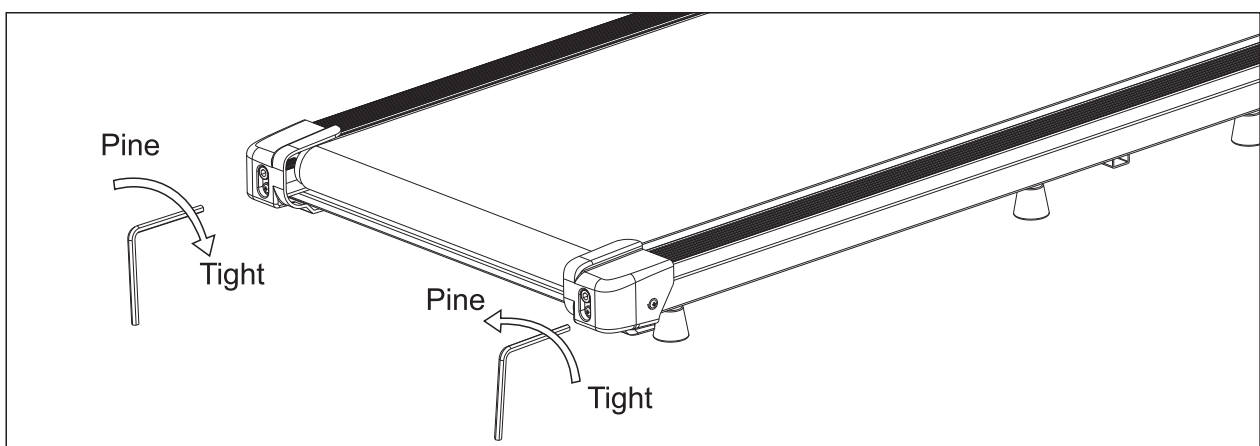
1. Disconnect the power supply before checking or cleaning the machine.
2. Clean the belt and dial at least once a week after use.
3. Check and tighten the screws and spines on the fixed point.
4. Don't hang clothes or other items on the machine.

4. Running Belt Deviation Adjustment

All treadmills need to be adjusted with the running belt before delivery and after installation. But the running belt may be deviated after a period of use which may be caused by the following reasons.

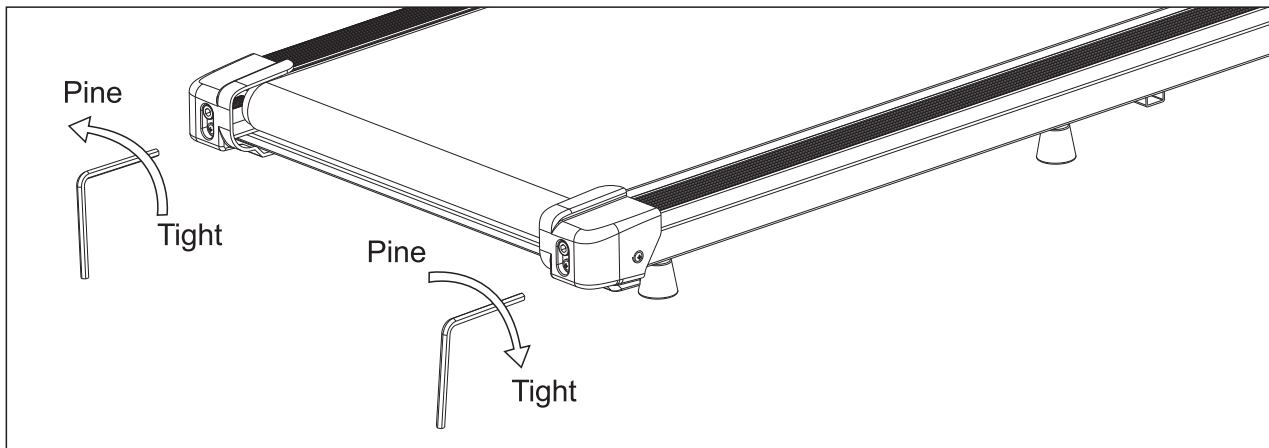
- ① The main body is not placed smoothly.
- ② The feet of users are not in the center of the running belt.
- ③ The user runs with uneven force between the feet.

It will return to normal after a few minutes of no-load rotation if the deviation is caused due to the wrong usage. It should be adjusted with a 6mm wrench at a half circle as the unit for deviation of non recover automatically.



Please adjust the left bolt clockwise or right bolt counterclockwise if the running belt is left deviation.

10 Product Maintenance



Please adjust the right bolt clockwise or left bolt counterclockwise if the running belt is right deviation.

Note: The running belt deviation is not within the scope of the warranty. And it is mainly maintained by the user according to the manual. Running belt deviation will seriously damage the running belt. The mistake must be detected in time and corrected.

UK

If you have any questions, please contact our customer care center.

Our contact details are below:



0044-800-240-4004



enquiries@mhstar.co.uk

IMPORTER ADDRESS:

MH STAR UK LTD

Unit 27, Perivale Park,
Horsenden lane South

Perivale, UB6 7RH

MADE IN CHINA

ES

Si tiene alguna pregunta, comuníquese con nuestro Centro de Atención al Cliente. Nuestros datos de contacto son los siguientes:



0034-931294512



atencioncliente@aosom.es

IMPORTADOR:

SPANISH AOSOM, S.L.

C/ ROC GROS, N° 15. 08550, ELS HOSTALETS DE
BALENYÀ, SPAIN.

B66295775

WWW.AOSOM.ES

ATENCIONCLIENTE@AOSOM.ES

TEL: 931294512

HECHO EN CHINA

FR

Si vous avez la moindre question, veuillez contacter notre centre d'assistance à la clientèle.

Nos coordonnées sont les suivantes:



0033-1-84166106



aosom@mhfrance.fr

Importé par:

MH France

2, rue Maurice Hartmann

92130 Issy-les-Moulineaux

France

Fabriqué en Chine

PT

Se tiver alguma dúvida, por favor contacte o nosso Centro de Atendimento ao Cliente. Os nossos dados de contacto são os seguintes:



0034-931294512



info@aosom.pt.

IMPORTADOR:

SPANISH AOSOM, S.L

C.ROC GROS N.15, 08550. ELS HOSTALETS DE BALENYÀ

TEL: 931294512 (SEG-SEX DAS 7:30H ÀS 16:30H)

INFO@AOSOM.PT

WWW.AOSOM.PT

DE

Wenn Sie Fragen haben, wenden Sie sich bitte an unser Kundendienstzentrum.

Unsere Kontaktdaten stehen unten:



0049-0(40)-88307530



service@aosom.de

ADRESSE DES IMPORTEURE:

MH Handel GmbH

Wendenstraße 309

D-20537 Hamburg

Germany

IN CHINA HERGESTELLT

IT

In caso di dubbio, si prega di contattare il nostro centro assistenza clienti. I nostri dettagli di contatto sono di seguito:



0039-0249471447



clienti@aosom.it

IMPORTATO DA:

AOSOM Italy srl

Centro Direzionale Milanofiori

Strada 1 Palazzo F1

20057 Assago (MI)

P.I.: 08567220960

FATTO IN CINA