



IN230800380V02_US

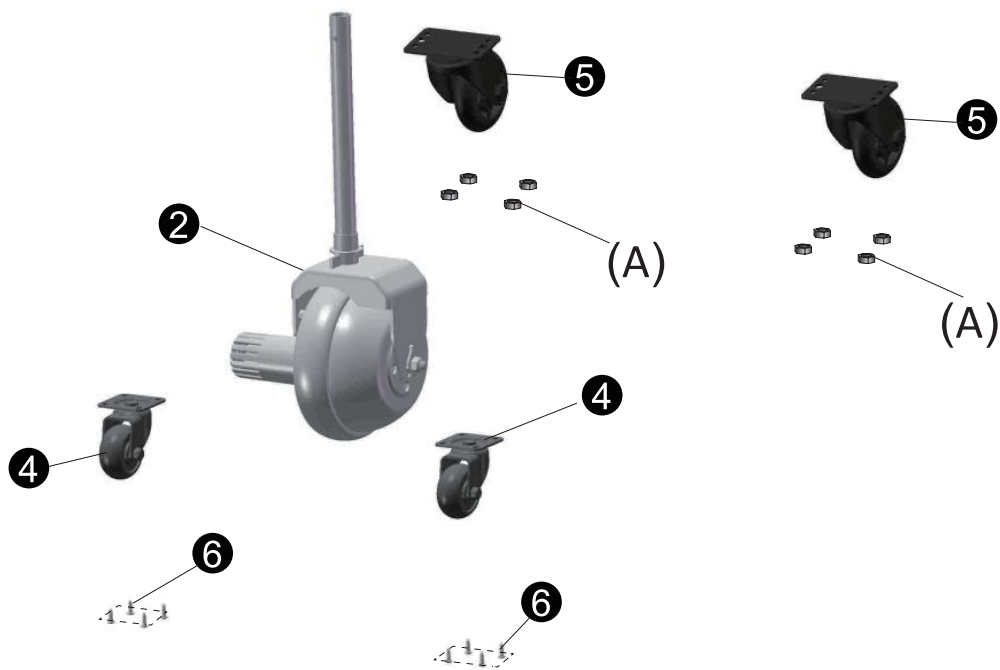
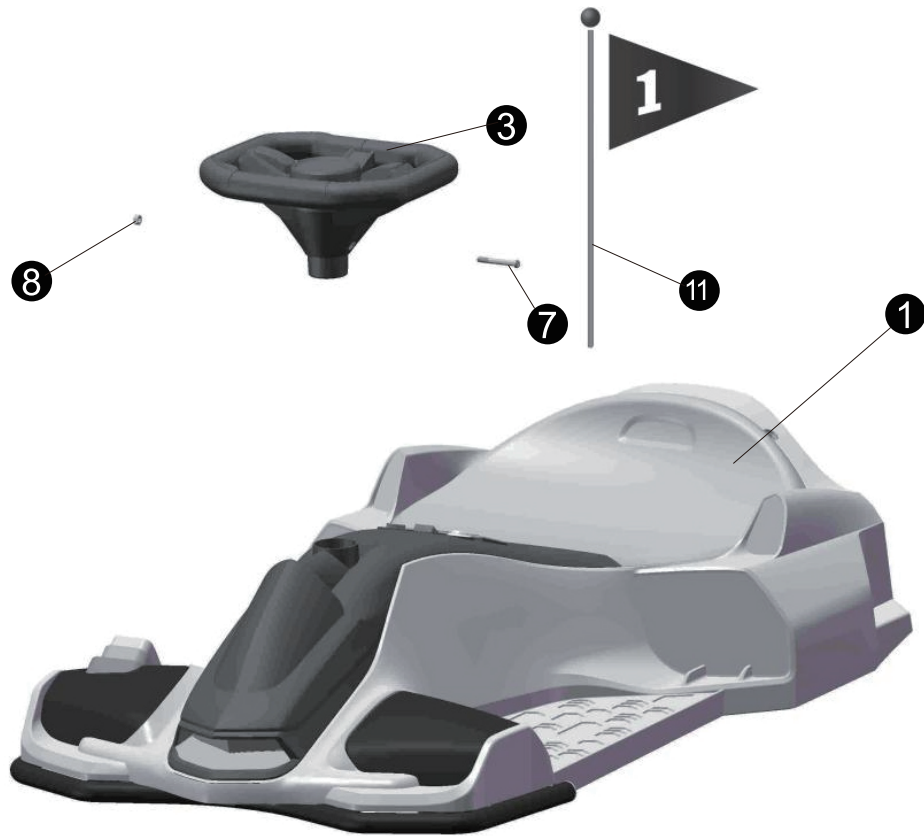
370-307V80



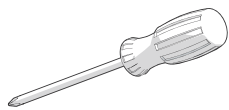
IMPORTANT, RETAIN FOR FUTURE REFERENCE: READ CAREFULLY

ASSEMBLY INSTRUCTION

 <p>1 x 1</p> <p>Car body</p>	 <p>2 x 1</p> <p>Front Wheel</p>	 <p>3 x 1</p> <p>Steering wheel</p>	
 <p>4 x 2</p> <p>Front training wheel</p>	 <p>5 x 2</p> <p>Rear training wheel</p>	 <p>6 x 8</p> <p>Flat head screw</p> <p>M4*16</p>	 <p>7 x 1</p> <p>Screw bolt</p> <p>M5*25</p>
 <p>8 x 1</p> <p>5mm locking nut</p>	 <p>9 x 1</p> <p>Charger</p>	 <p>10 x 1</p> <p>Manual</p>	 <p>11 x 1</p> <p>Flag</p>



Tools:



Phillips Screwdriver
(Not Included)



Wrench(13mm)
(Not Included)

Product Specifications:

Battery:	12V 7AH*1
Drive Motor:	12V 550#*1(16000RPM)
Suitable age:	8-12 years old
Maximum weight:	50kg
Car Size:	90*53*99cm
Speed:	3-8km/h
Hours of Use:	Using 0.5 hours after Charging 8-12 hours
Charger:	Input: 100V-240V 50/60Hz
	Output: 12V 1.0A
Fuse:	Auto-reset fuse

Assembly instruction

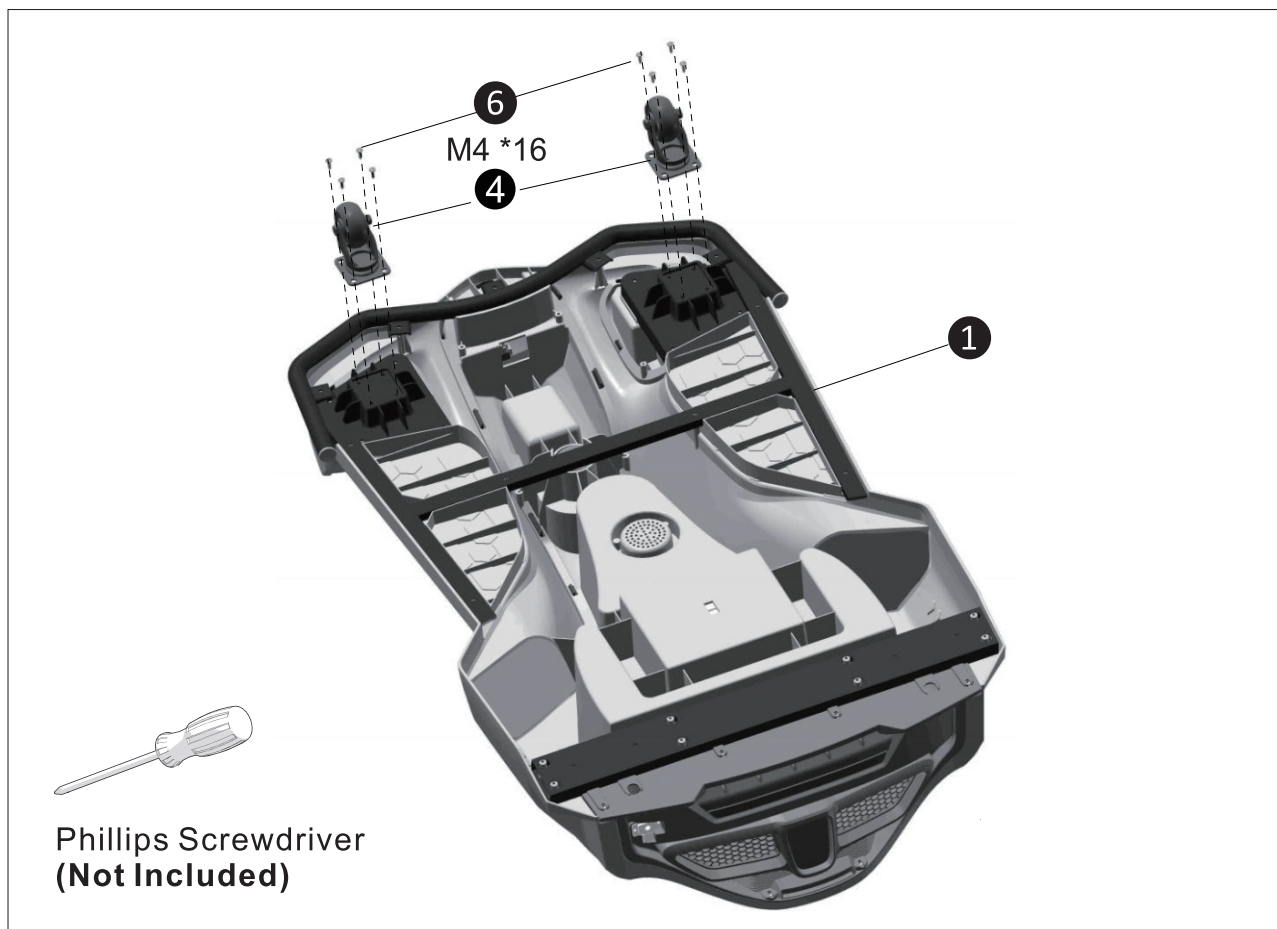
Adult assembly is required.

Take care of small parts. To prevent a choking hazard, keep small children away when assembling.

Before assembling, count all small parts carefully, ensuring everything is present. Dispose of the plastic bag properly. Do not let children play with the plastic bag.

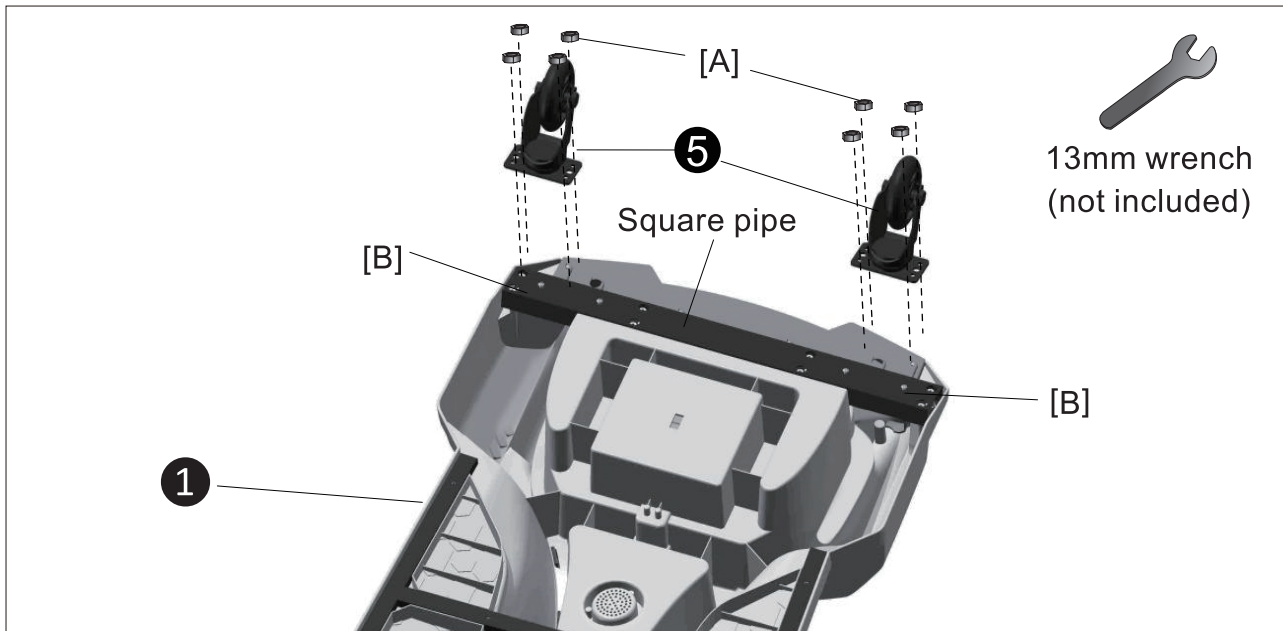
1. Front training wheel assembly

Align the two front training wheels ④ with the car body ①, then, using a screwdriver, secure the front training wheels ④ with four M4*16 flat head screws ⑥ on each side.



2. Rear wheel assembly

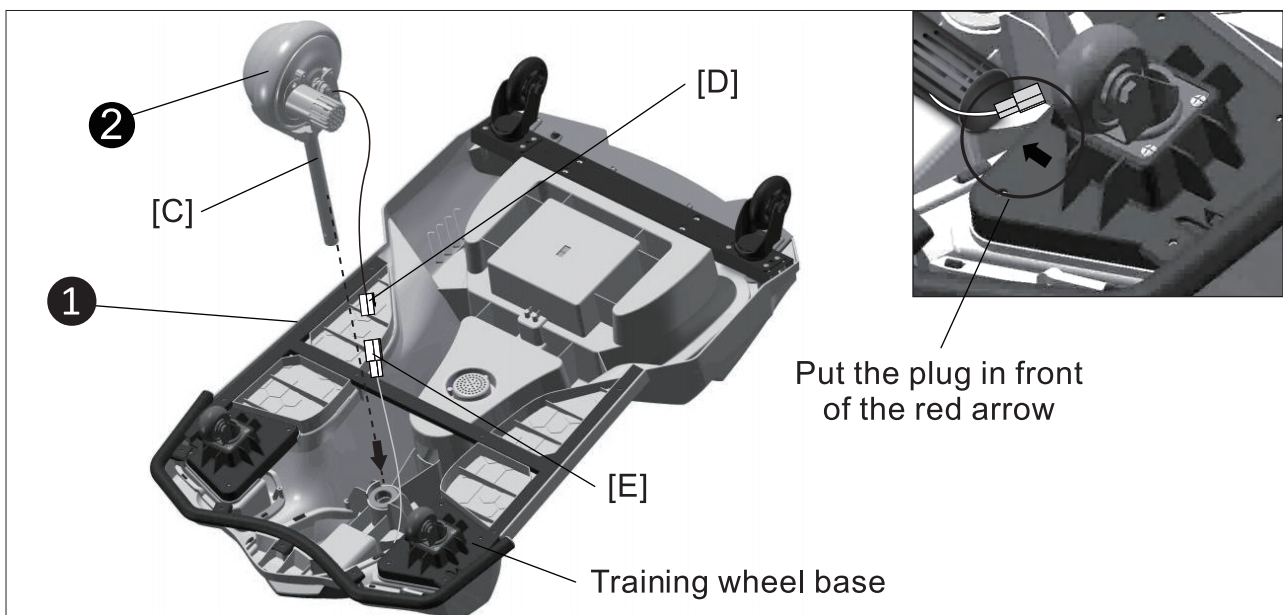
There are four nuts (A) on each side (B) of the rear square pipe. Using a 13mm wrench, remove all nuts (A). Attach the rear training wheels ⑤ to both sides (B), then secure them using the nuts (A) and a 13mm wrench.

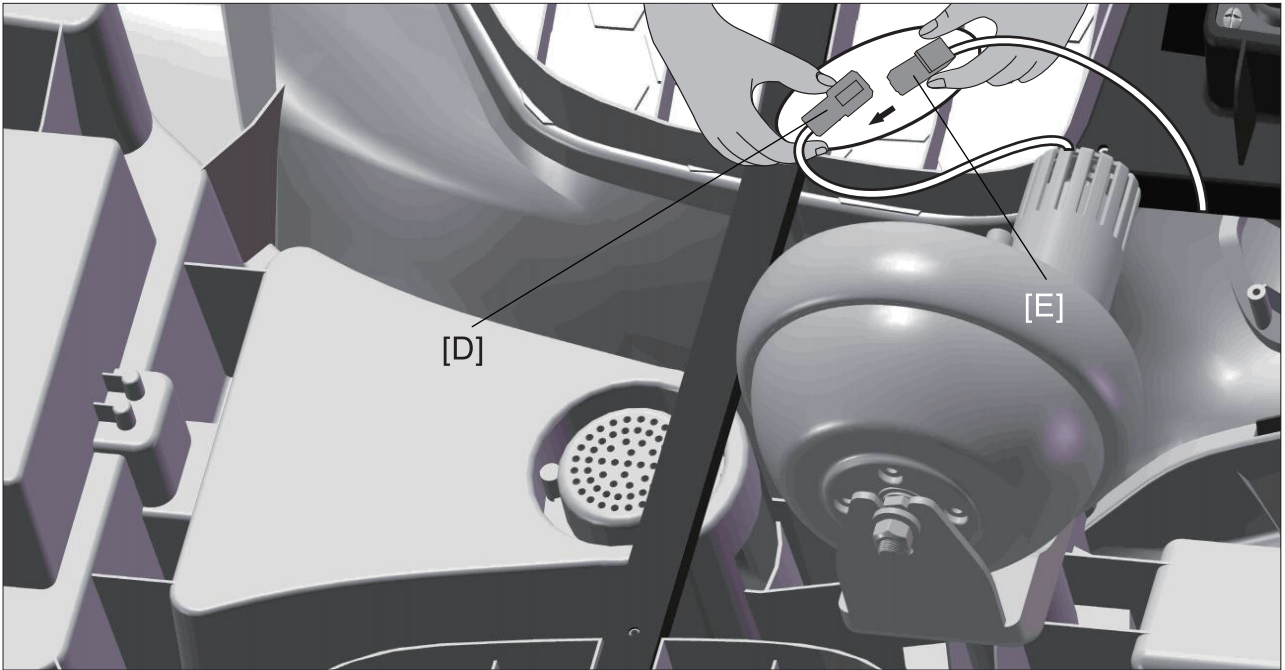


3. Front wheel assembly

Insert the steering axle (C) into the car body ①. Locate the training wheel base with a red arrow sticker. Connect the plug (D) from the front wheel ② and the plug (E) from the car body ①.

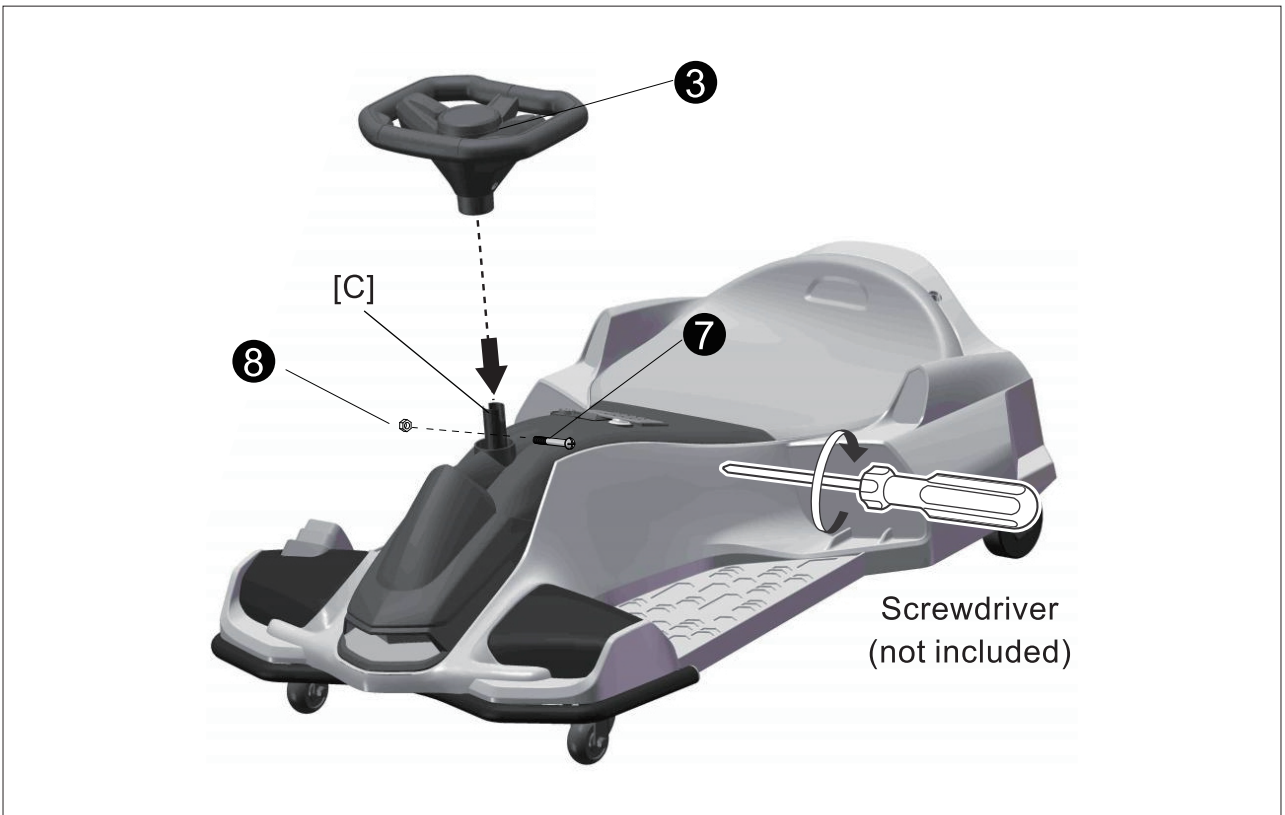
Ensure both plugs (D and E) are on the same side, aligning the plug (D) just in front of the red arrow.





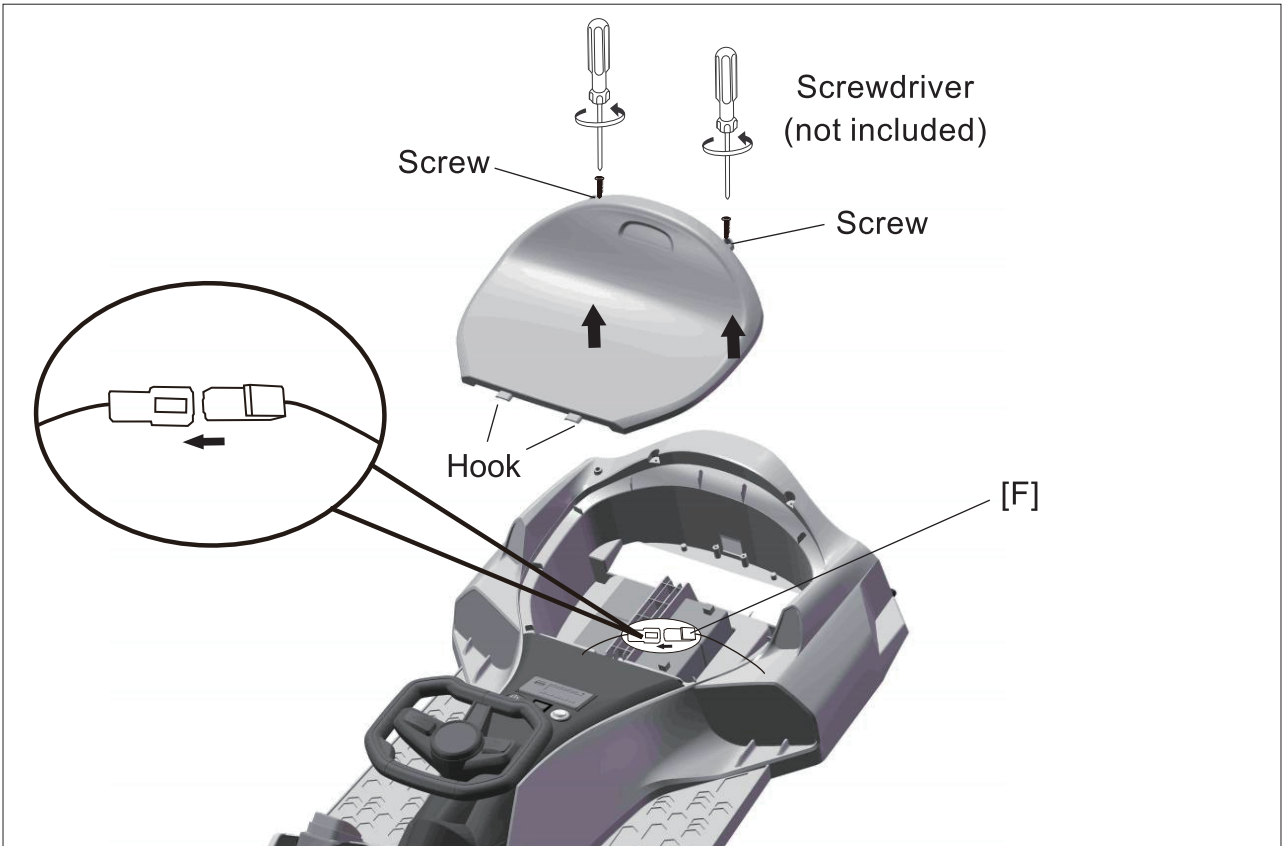
4. Steering wheel assembly

Remove a M5 * 25 screw bolt ⑦ and a 5mm locking nut ⑧ from the hardware package. Align the steering wheel ③ with the steering axle (C), ensuring the holes on the steering wheel ③ match those on the steering axle (C). Using a screwdriver, secure them together with the screw bolt ⑦ and the locking nut ⑧.



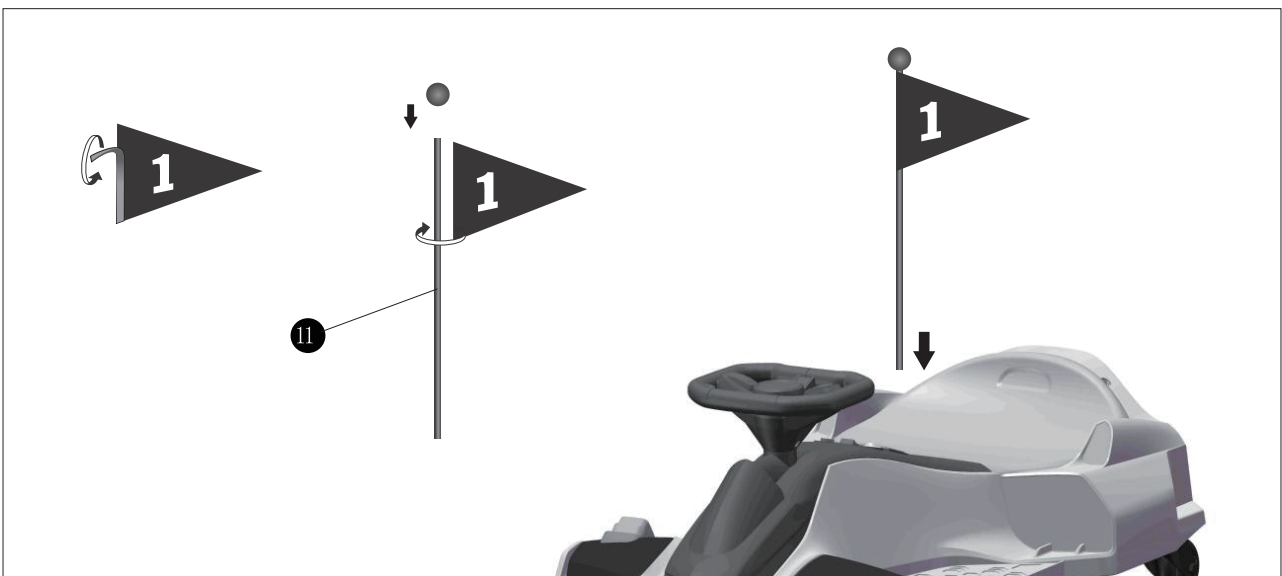
5. Battery connection

Loosen the two screws from the seat, then locate the two red plugs (F) beneath the seat and connect them for power. Align the seat with the car body, insert the two hooks into the corresponding position, then tighten the screws at the back of the seat with the screwdriver.



6. Flag assembly

Remove the paper from the adhesive tape on the flag. Attach the flag onto the flagpole as indicated in the picture. Place the small ball on top of the flagpole. Insert the flagpole into the hole on the car body and firmly push it into position.



FUSE

The car has an auto-reset fuse. If the car suddenly stops while driving, it is usually due to a sudden surge in current. This causes the fuse to trip automatically.

Turn off the ride-on and do not use for eight seconds, so the fuse can reset. Then, turn on the power again. To avoid the fuse tripping and cutting off the power supply, follow these instructions:

- Do not drag anything behind the ride-on.
- Keep batteries and other electrical components away from water and other liquids.
- Do not alter the circuit system or the structure of the product.

WARNINGS

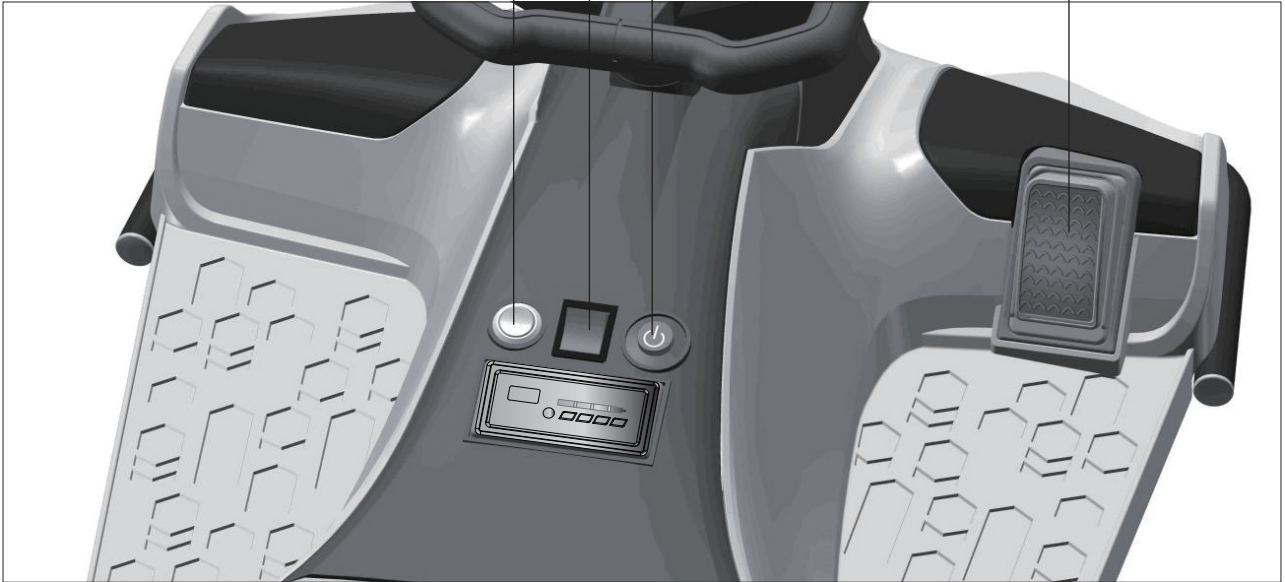
- Adult assembly is required.
- When unassembled, this product contains small and sharp parts – keep out of the reach of small children.
- Do not use in traffic.
- This product is not to be used by children under three years of age.
- The seatbelt must be worn when using this product.
- Adult supervision is required when using this product.
- Battery must be charged by an adult. Charge the product before its first use.
- To avoid suffocation, keep packaging out of the reach of children.
- Only use parts provided by the manufacturer.
- Ensure children do not play with the charger.

Note

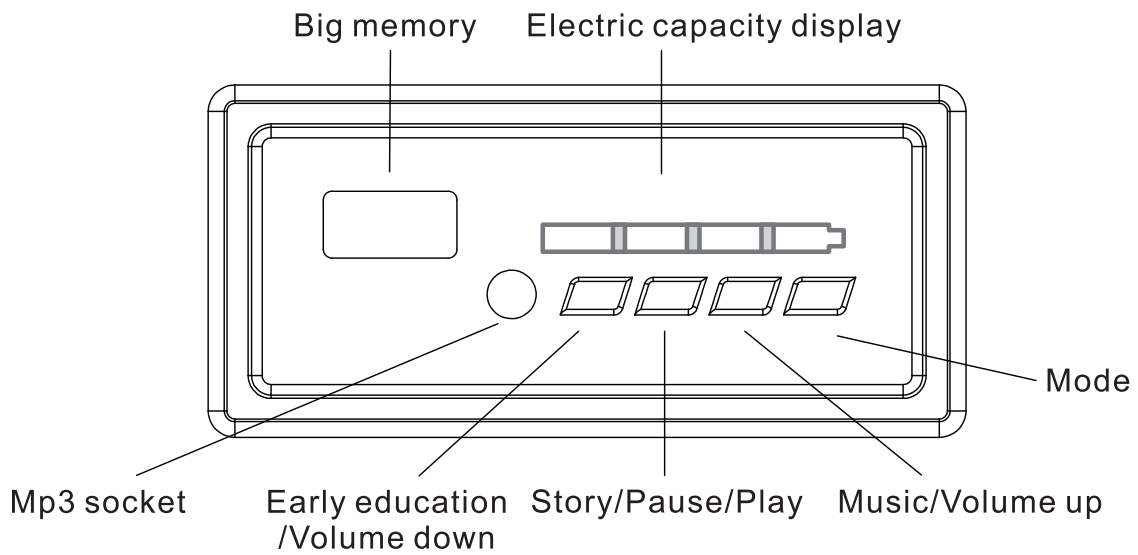
- Do not use in congested streets, roads, slopes or near drains.
- Do not change the circuit or add electrical devices to the product.
- Do not use the remote control in rain. Keep the car away from water and other liquids to avoid damage.
- The maximum load is 50kg – this product can be used by one child at a time.
- Ensure the power is switched off when not in use. Remove the battery connector when it has not been used for a while.
- Before using and charging, check the plug and other parts for any damage.

Operating(function reference diagram)

High / low speed switch
Light switch
Power switch
Pedal

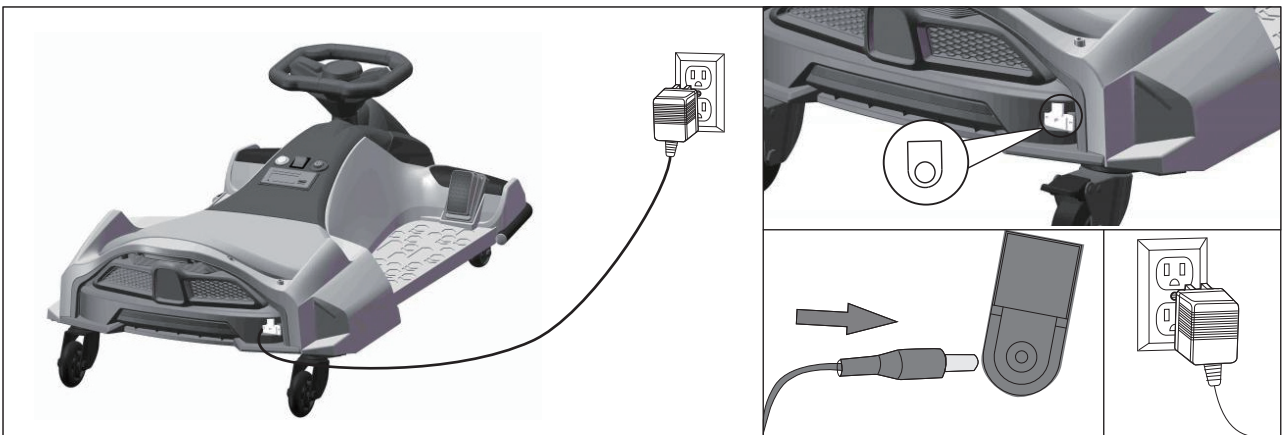


MP3



Charging:

- Charge the battery for less than 12 hours – charging for longer can cause permanent damage.
- Place the DC plug into the power socket, then put the charger into the plug. Never use the product while charging.
- This product can be used for 0.5 hours – the charging time is 8-12 hours.
- It is normal for the charger and battery to stay cool when charging.
- Do not use the connector near water to avoid damage.
- Only use the supplied charger. Using a charger, which is not supplied by the manufacturer, can damage the product.
- When not in use for a long time, charge the product.



1. Insert the plug of the charger into the charging port.
2. Insert the charger into the power socket. (The car cannot be started while charging).

Maintenance


- Before using, check the wiring, plug, shell and other parts, ensuring there is no damage.
- When using after a long time, ensure the iron castings are lubricated to avoid rust. When storing, place the product on a flat surface, ensuring it's out of direct sunlight. Keep the product indoors or cover with a water-resistant cloth.
- Keep the product away from stoves, ovens and heaters to avoid plastic from thawing.
- Clean its surface with a dry cloth. Clean plastic parts with non-wax furniture polish.
- Do not clean plastic parts with chemical solutions. Do not clean the car with water.
- Do not drive in wet weather – this could damage the generator, circuit system or battery.
- When not in use, ensure the power is off – the switch should be on 'STOP' or 'OFF'.
- Do not use a fuse that does not conform with the agreed specifications.
- Do not make any modifications to this product or circuit system. Any damages must be fixed by a professional or under the guidance of a professional.

Troubleshooting

Problem	Cause	Solution
The car does not start.	<ul style="list-style-type: none"> - The battery is low. - Failure to press the switch button correctly. - Power connector failure. - Battery breakdown. - Electrical devices are damaged. - Generator is faulty. 	<ul style="list-style-type: none"> - Ensure battery is fully charged. - Follow instructions when using this product. - Reinstall the power connector. - Change battery. - Change electrical devices. - Change generator.
<hr style="border-top: 1px dashed black;"/>		
The battery does not charge.	<ul style="list-style-type: none"> - Battery connector failure. - Charger doesn't charge. - Faulty charger. 	<ul style="list-style-type: none"> - Reinstall the connector. - Plug in the charger again. - Change the charger.
<hr style="border-top: 1px dashed black;"/>		
The car doesn't drive far.	<ul style="list-style-type: none"> - Battery isn't fully charged. - Overused battery. 	<ul style="list-style-type: none"> - Ensure the battery is fully charged. - Change the battery.
<hr style="border-top: 1px dashed black;"/>		
There's a slight noise and the car heats when charging.	<ul style="list-style-type: none"> - This is normal. 	<ul style="list-style-type: none"> - Nothing needs to be done.
<hr style="border-top: 1px dashed black;"/>		
The car operates at a slow speed.	<ul style="list-style-type: none"> - Overused battery. - The battery is dead. - The product has exceeded its maximum load. - Uneven driving surface. 	<ul style="list-style-type: none"> - Change the battery. - Ensure battery is fully charged. - Ensure the weight is below 50kg. - Drive on a flat and even surface.

US

If you have any questions, please contact our customer care center.
Our contact details are below:

 001-877-644-9366


 customerservice@aosom.com

Imported by Aosom LLC
27150 SW Kinsman Rd Wilsonville, OR 97070 USA
MADE IN CHINA

CA

If you have any questions, please contact our customer care center.
Our contact details are below:

Si vous avez la moindre question, veuillez contacter notre centre d'assistance à la clientèle.
Nos coordonnées sont les suivantes:

 416-792-6088

 customerservice@aosom.ca

Imported by Aosom Canada Inc.
7270 Woodbine Avenue, Unit 307, Markham, Ontario Canada L3R 4B9
MADE IN CHINA

Importé par Aosom Canada Inc.
7270 Woodbine Avenue, unité 307, Markham, Ontario Canada L3R 4B9
Fabriqué en Chine