



IN230900011V01\_US



The product is subject to the actual product, and the picture for reference only.

**IMPORTANT, RETAIN FOR FUTURE REFERENCE: READ CAREFULLY.**

## ASSEMBLY INSTRUCTION

## **I. Product introduction**

With the improvement of people's living standards, their demand for the way they dress is getting higher and higher. However, the faster and faster working rhythm makes people feel that using the flat iron to iron clothes is inconvenient. Therefore, a new ironing tool called steam iron is born and becomes an ideal helper for home ironing.

The principle for the steam iron to iron the clothes is to continuously contact the clothes with the burning hot steam as high as 98 degrees to soften the fibrous structure of the clothes and make the clothes smooth and soft by "pulling" and "pressing"; the steam iron does not need the ironing board, which omits the tedious steps of ironing with the flat iron; the hot steam is more effective in cleaning and disinfecting;

The product is suitable for ironing and disinfecting clothes, curtains and carpets of any materials. It is easy to use and operate and saves energy and time, which is an ideal ironing tool for families, clothing stores, hotels, and hotels.

## **II. Product features**

### **1. Advanced**

- It can also iron clothes with high temperature steam and can also sterilize the surface of the clothes, remove dust and bacteria, and perform local dry cleaning, which is environmental protection and sanitation.
- It automatically controls heating and can continuously generate steam, which is convenient for continuously ironing clothes.

### **2. Safe**

- The product is provided with double safety protection, with a built-in high sensitive temperature controller and temperature limiter. When the machine is heated to the design temperature, the temperature controller can automatically cut off the power supply and stop heating; when the temperature is lower than the design temperature, the temperature controller can automatically connect the power supply, so that the product will continue to heat. Once the temperature controller is out of order, the built-in temperature limiter will permanently cut off the power supply.
- The steam hose is made of double insulation tube, of which the inner tube is made of thickened PVC tube and the outer sleeve is made of woven cotton streak tube to ensure that the surface of the steam hose will not be too hot, and safe and reliable.

### **3. Convenient**

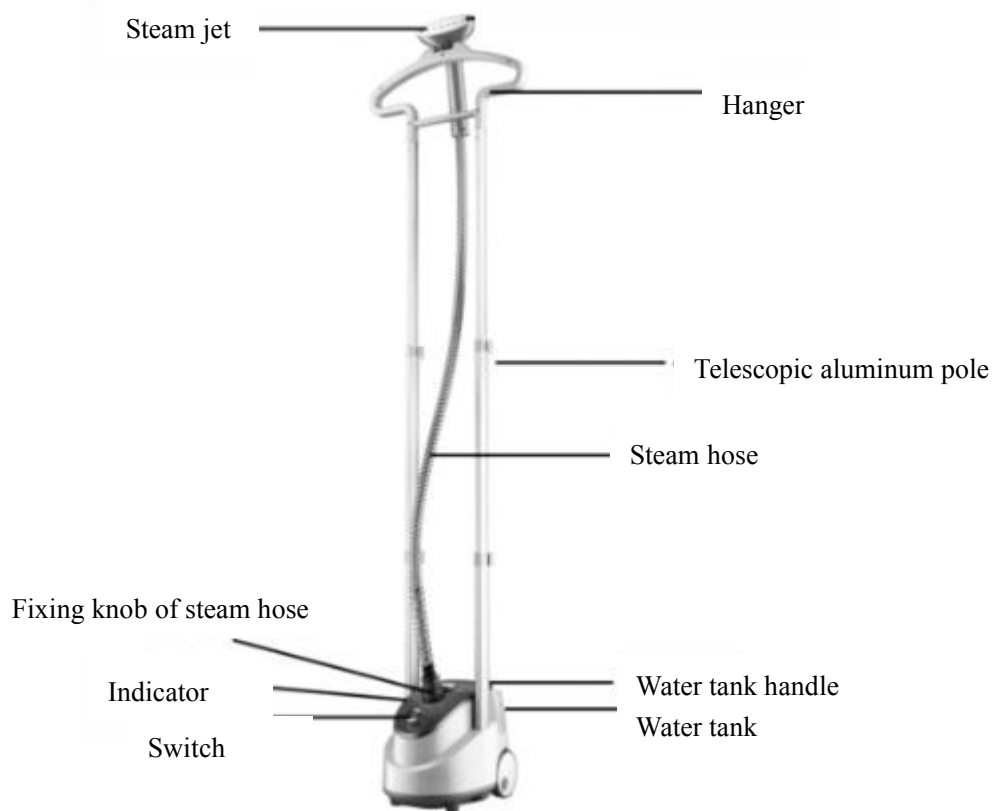
- The aluminum pole is made of three height-adjustable brackets, which is full of user-friendly design and easy to store, so that different users can freely adjust the height according to their needs, which greatly facilitates the users.
- The water tank is designed to be transparent to be easy for adding water. The internal water quantity is clearly visible, so that the iron can continuously iron without adding water, and the water tank has good toughness. Even if the users accidentally fall to the ground during adding water, it will not fall, which greatly enhances the product's practicality.
- After tens of seconds of powering on, the hot steam can be sprayed to iron the clothes. It is very convenient and quick to use.

### **4. Drainage design**

The Company's steam iron has a drainage (boiler cleaning) knob at the bottom. After the usual use, the water inside the product can be drained easily to avoid the deterioration of the internal water when the product is not used for a long time which may breed bacteria and other microorganism. Meanwhile, the inner wall of the boiler can be cleaned on a regular basis to avoid blockage of the boiler body so as not to result in the occurrence of abnormal phenomena where the steam does not come out.

### III. Usage (the product is subject to the actual product, and the picture is for reference only)

#### 1. Part name



Water tank knob

Drainage (boiler cleaning) knob



#### 2. Installation method

##### A. Check the product and all the accessories

Unpack the package and check all parts and accessories to make sure there are no missing parts in the package.

| Name     | Host | Steam hose | Telescopic aluminum pole | Hanger | Water tank | Instruction |
|----------|------|------------|--------------------------|--------|------------|-------------|
| Quantity | 1    | 1          | 2                        | 1      | 1          | 1           |

\* Please note that the telescopic aluminum pole shall be placed on the back of the foam

**B. Installation steps (the product is subject to the actual product, and the picture is for reference only)**

① Insert the telescopic aluminum pole into the holder for telescopic aluminum pole as shown in Fig. 1. Insert it to the bottom and if you want to pull out the telescopic aluminum pole, pull it out hard.



Fig. 1

② Open two latch buttons and pull the telescopic aluminum pole upwards to pull out three sections of aluminum rods. Adjust it to the appropriate position and press the button (see Fig. 2)



Fig. 3

③ Install the steam jet and clothing hook as well as the hanger downwards as shown in Fig. (3).



Fig. 3

④ Insert the steam hose into the steam outlet of the host as shown in Fig. 4, and tighten the fixing knob for steam hose clockwise.

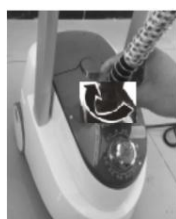


Fig. 4

⑤ If the woolen is ironed or the ash layer is brushed, install the hair brush (optional), of which the brush shall be installed on the jet of steam hose as shown in the figure, and then the jet of steam hose shall be placed on the hook. Do not install the hair brush if you want to iron other fabrics (Fig. 5)



Fig. 5

⑥ Turn the knob of the water tank counterclockwise (Fig. 6), fill the tank with clean cold water and tighten the knob of the water tank clockwise as shown in Fig. 7.

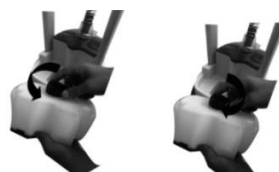


Fig. 6

Fig. 7

⑦ Place the water tank on the host as shown in Fig. 8.



Fig. 8

⑧ Rotate the switch, so that the switch light is on, indicating that the machine is working properly. After 43 seconds, the jet of the steam hose sprays steam, and then you can iron the clothes, as shown in Fig. 9.



Fig. 9

### 3. Ironing methods

- a) Grab the lower part of the garment by hand and pull it down. Pay attention to make the surface of garment as flat as possible.
- b) Press down gently with the steam jet, then drag the jet up and down and set it through tension after softening the fiber with high-temperature steam line.
- c) Grab both sides of the clothes and tighten it when the bottom of the clothes is ironed. Iron up and down and be careful with the hot steam from the steam jet.
- d) When ironing the collar, press it down slightly. It will take a longer time for the steam jet to be pressed on the lapel of the collar to iron up and down.
- e) When ironing on the sleeves of the clothes, the sleeves shall be straightened slightly. When the steam jet presses the lapel of the sleeves, it also takes a longer time to iron back and forth.
- f) Iron the back after ironing the front.
- g) Turn off the power after ironing.

### **IV. Cleaning and storage**

#### Usual cleaning and storage

1. Turn off the power switch and unplug the power line.
2. Wait until the machine is completely cooled (at least 30 minutes).
3. Take out the water tank, unscrew the knob of the water tank, pour out the water in the water tank, then clean it with water and pour the water completely. Put the water tank back into the water storage tank.
4. Unscrew the drainage (boiler cleaning) knob at the bottom of the host by turning over, keep the water in the host flat and then tighten the drainage (boiler cleaning) knob.
5. Place the unit in a dry place.

#### Boiler wall cleaning

1. Put about 50ML of white vinegar from the outlet of the machine first.
2. Add appropriate amount of water, put the kettle on the machine, plug in the power supply, and work for about 30 minutes.
3. After working for about 30 minutes, turn off the power supply, remove the plug, and pour out the dirt in the heater from the air outlet.
4. Then pour appropriate amount of clean water from the top air outlet, lift the machine, shake it from left to right a few times, and then pour the water out from the air outlet. Repeat several times in turn.

Warning: to clean the dirt on the inner wall of the boiler, you have to use the professional cleaning agent (cleaning agent containing glycolic acid, vinegar and baking soda) for the air conditioner and the inner wall pipe of the heater. Do not use the cleaning agent containing acid and hydrochloric acid.

Note: be careful to prevent the danger of steam splashing when using appliances.

When filling the liquid and cleaning, unplug the power plug

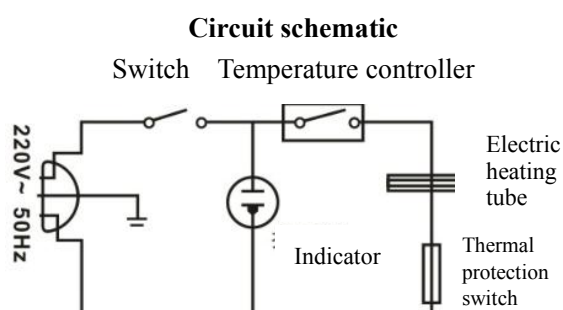
If the power line is damaged, it should be replaced by a professional to avoid danger

## V. Safety instruction

- ◆ Use the correct supply voltage and frequency, namely, 220V-50HZ.
- ◆ Do not share the same power supply with other high-power appliances.
- ◆ Do not immerse the unit, power line and plug in water.
- ◆ Do not allow children and handicapped persons to approach when using the unit.
- ◆ When using the machine, you must first fill cold water, and avoid adding hot water. Otherwise, the water tank may be deformed. Pay attention to the water level often when using it.
- ◆ Do not place the steam hose on the floor or bend it.
- ◆ Do not remove the hot parts or steam jet during use to avoid burns.
- ◆ Before storing the unit, allow the unit to cool for at least 30 minutes and drain the water in the tank completely.
- ◆ Before filling or draining water, unplug the power supply first and do not spill water.
- ◆ Before cleaning, when moving the unit, or when not using the unit, turn off the power first, unplug the plug and then work.
- ◆ Do not place the machine near flammable materials.
- ◆ When it is found that the product is defective, or the plug or power line is damaged, do not use the unit and contact the After-sales Service Department of our Company.
- ◆ Do not pull out the steam hose during use.
- ◆ Do not add any cleaning agent to the water, otherwise the unit will be damaged. It is recommended to use mineral-free cold water or distilled water.
- ◆ Do not directly iron with clothes on, otherwise it will cause burns.
- ◆ Do not spray steam directly on people, animals or home appliances, otherwise it may cause burns or appliance failure.

## VI. Technical indexes

Rated voltage: 220V~  
 Rated frequency: 50Hz  
 Rated power: 1800W  
 Water-storage capacity: 1.4L-2.8L  
 Steam temperature at the jet: 98℃  
 Steam output: 30g/min



| Component name               | Name and content of hazardous substances |    |    |         |     |      |
|------------------------------|--|----|----|---------|-----|------|
|                              | P<br>b                                   | Hg | Cd | Cr (VI) | PBB | PBDE |
| Electrical appliance element | X  | O  | O  | O       | O   | O    |
| Power line                   | O  | O  | O  | O       | X   | O    |
| Plastics                     | O  | O  | O  | O       | O   | O    |
| Hardware                     | O  | O  | O  | O       | O   | O    |

This product is "limited to 10 years for the use of environmental protection".

The hazardous substances contained in the electronic and electrical product will not be leaked or mutated, and the electronic and electrical users will not cause serious pollution to the environment or cause serious damage to their body and property when they normally use this electronic and electrical product.

## VII. Troubleshooting

| Common problems  | Causes  | Solutions   |
|--|---|---|
| There is no steam and the indicator is not on  | No power supply is connected  | Plug the plug into a power outlet   |
|  | The temperature controller or the thermal protection is damaged               | Ask a professional to check and repair  |
|  | The internal conductor falls off  | Ask a professional to check and repair  |
| The noise in the steam-guide tube is loud and the amount of steam that can emit is small | The steam-guide tube is bent to be lower than the horizontal line for ironing | Raise the steam-guide tube to allow the condensate to flow back into the machine  |
| The ironing head leaks   | The ironing brush is broken   | Replace the ironing brush   |
|  | Flatly operate  | Operate vertically up and down  |
| The place where the steam-guide tube is connected with the host leaks                    | Whether the seal ring is aging  | Replace the seal ring   |
|  | Whether the connection is loose   | Tighten the steam-guide tube connections  |
| The water in the water tanks flows out   | The water tank is broken or there is a hole in it                             | Replace the water tank  |
| There is hot steam in the water tank   | Whether the water pipe is blocked   | Remove dirt and plugs   |
| The amount of steam is small   | Whether the voltage is too low  | It might be during the peak of electricity consumption  |
|  |   | Whether there is a high-power electrical appliance being used. Use it again after turning off the high-power electrical appliance and waiting until the voltage is stable |
|  | Whether the tube is blocked by scale  | Use environmentally-friendly cleaners   |
| There is no steam but the indicator is on  | There is no water in the water tank   | Ask a professional to check and repair  |
|  | The aluminum heating element is burnt   |   |
|  | The internal components are of failure  |   |
|  | There is precipitate  |   |
| There is no steam  | The steam in the steam-guide tube condenses                                   | Raise the vertical steam-guide tube of the ironing brush so that the condensate can flow back to the aluminum heating element   |
| The output of the steam is irregular   | The steam condenses in the steam-guide tube or ironing brush                  | Raise the vertical steam-guide tube of the ironing brush so that the condensate can flow back to the aluminum heating element   |
| The ironing brush drips  | The steam in the steam-guide tube condenses                                   | Raise the vertical steam-guide tube of the ironing brush so that the condensate can flow back to the aluminum heating element   |

**US**

If you have any questions, please contact our customer care center.  
Our contact details are below:



001-877-644-9366



customerservice@aosom.com

Imported by Aosom LLC  
27150 SW Kinsman Rd Wilsonville, OR 97070 USA  
MADE IN CHINA

**Aosom**