

EN_IMPORTANT, RETAIN FOR FUTURE REFERENCE: READ CAREFULLY.

FR_IMPORTANT: A LIRE ATTENTIVEMENT ET À CONSERVER POUR CONSULTATION ULTÉRIEURE.

ES_IMPORTANTE, LEA Y GUARDE PARA FUTURAS REFERENCIAS.

PT_IMPORTANTE, RETER PARA REFERÊNCIA FUTURA: LEIA ATENTAMENTE.

DE_WICHTIG! SORGFÄLTIG LESEN UND FÜR SPÄTER NACHSCHLAGEN AUFBEWAHREN.

IT_IMPORTANTE! CONSERVARE IL PRESENTE MANUALE PER FUTURO RIFERIMENTO E LEGGERLO ATTENTAMENTE.

EN

Dear customer,

Thank you for purchasing this product. So that your appliance serves you well, please read all the instructions in this user's manual. If you have any questions, please contact our customer care center, Our contact details are below:

FR

Cher client,

Nous vous remercions d'avoir acheté ce produit. Afin que vous puissiez profiter pleinement de votre appareil, veuillez lire toutes les instructions de ce manuel d'utilisation. Si vous avez la moindre question, veuillez contacter notre centre d'assistance à la clientèle, Nos coordonnées sont les suivantes:

DE

Sehr geehrter Kunde,

Vielen Dank, dass Sie dieses Produkt erworben haben. Damit Ihr Gerät Ihnen gute Dienste leistet, lesen Sie bitte alle Hinweise in diesem Benutzerhandbuch. Wenn Sie Fragen haben, wenden Sie sich bitte an unser Kundendienstzentrum, Unsere Kontaktdaten stehen unten:

ES

Queridos clientes,

Gracias por comprar este producto. Para que su electrodoméstico le sirva mejor, lea todas las instrucciones de este manual del usuario. Si tiene alguna pregunta, comuníquese con nuestro Centro de Atención al Cliente, Nuestros datos de contacto son los siguientes:

PT


Caros clientes,

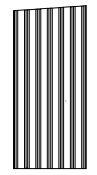
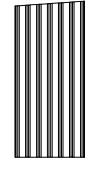
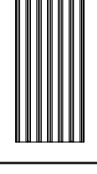
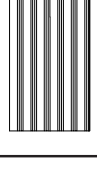
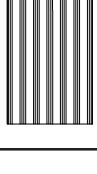
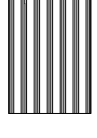
Obrigado por adquirir este produto. Para que o seu aparelho o sirva melhor, leia todas as instruções deste manual do utilizador. Se tiver alguma dúvida, por favor contacte o nosso Centro de Atendimento ao Cliente, Os nossos dados de contacto são os seguintes:

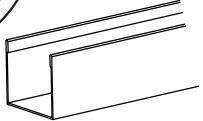
IT

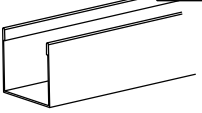
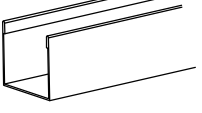
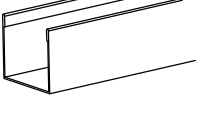
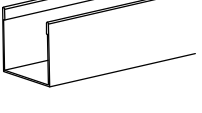
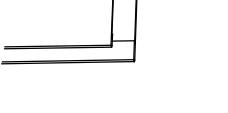
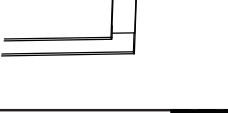
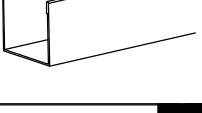
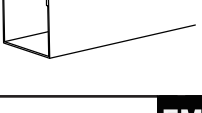
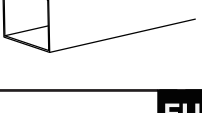

Caro Cliente,

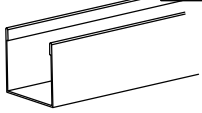

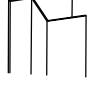

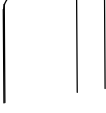

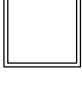

Grazie per aver acquistato questo prodotto. Per servirti meglio con questo apparecchio ti prego di leggere tutte le istruzioni in presente manuale utente. In caso di dubbio, si prega di contattare il nostro centro assistenza clienti, I nostri dettagli di contatto sono di seguito:

Country	 Phone	 Email
US	001-877-644-9366	customerservice@aosom.com
CA	416-792-6088	customerservice@aosom.ca
UK	0044-800-240-4004	enquiries@mhstar.co.uk
DE	0049-0(40)-88307530	service@aosom.de
FR	0033-1-84166106	aosom@mhfrance.fr
ES	0034-931294512	atencioncliente@aosom.es
PT	0034-931294512	info@aosom.pt
IT	0039-0249471447	clienti@aosom.it

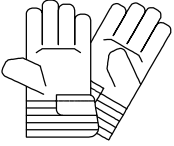


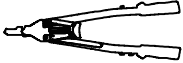



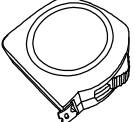
BOX 1-2		P1 x04
		P2 x01
		P3 x01
		P5 x01
		P4 x01
		P6 x02
		PT2 x04
		PD1 x02

BOX 2-2		FB2 x06
----------------	---	----------------

	FC2 x01
	FD1 x04
	FD2 x02
	FD3 x02
	FDU1 x02
	FDU2 x04
	FM1 x02
	FM2 x02
	FM3 x02
	FU1 x04

	FU2 x02
	JA2 x01
	JAD1 x01
	JAV1 x02
	LT2 x02
	LT1 x04
	MS1 x02
	Hardware Kit

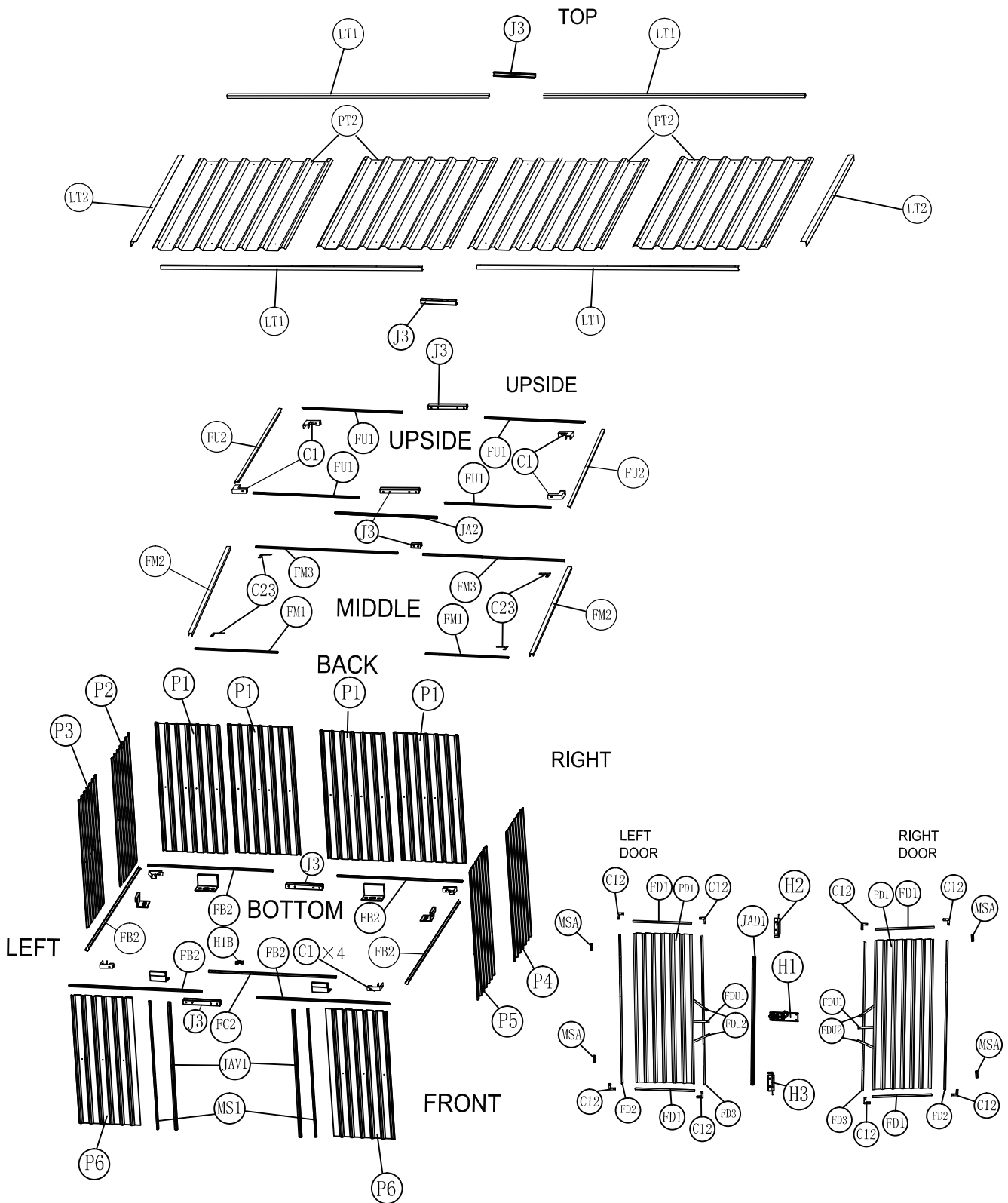
Items Required:

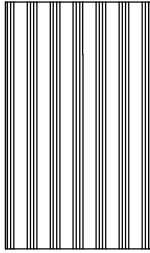
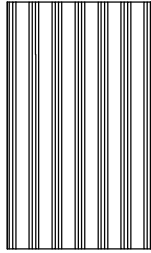
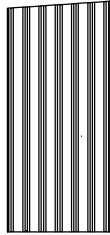
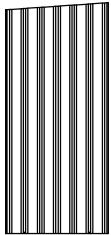
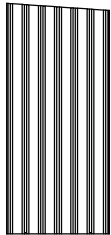
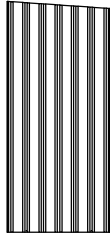
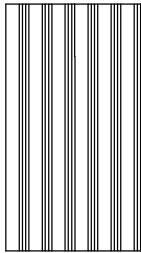
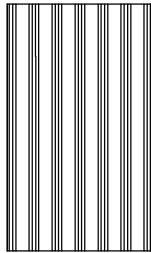
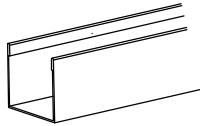
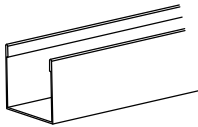
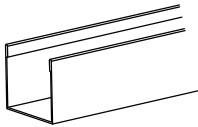
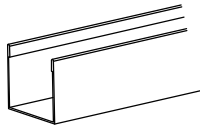
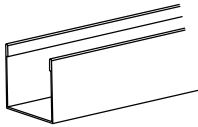
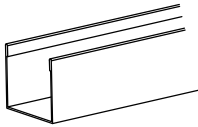
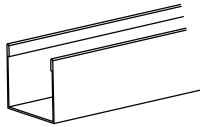
Tools				
	gloves	Safety Glasses	Shoes	Riveting Gun
Tools				
	Power drill	Screw driver	Pencil	Tape Measure

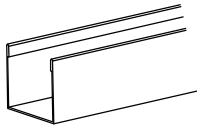
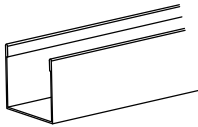
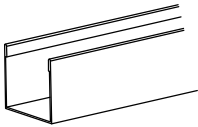
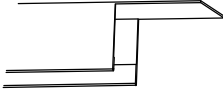
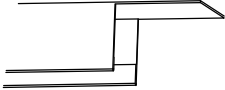
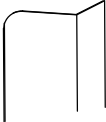
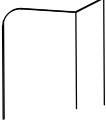

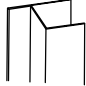
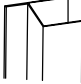
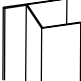
- Clear a working area to allow access on 4 sides. A raised work surface will make assembly easier.
- All parts are identified so when working through the instructions page by page the diagrams show where each part is positioned.
- Many of the holes have been pre-punched, to allow fixing using self-tapping screws or rivets, where additional holes are required a drill bit is included.
- Before starting, to avoid any accidental injury, we recommend the use of gloves to protect your hands, safety glasses to protect your eyes and shoes or boots to protect your feet.
- Please keep children away from your construction site.
- Most assembly can be completed by one person, assistance may be needed when you reach the erection stage.
- Please note: Some local government authorities have rules & regulations on shed installation and you may need approval to erect this shed.
- If you find the accessories are slight deformation, please use tools to recuperate, which will not affect normal use.

STEPS:

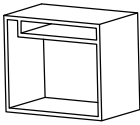
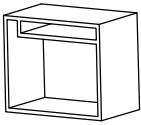
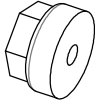
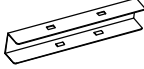
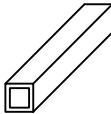
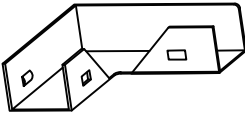
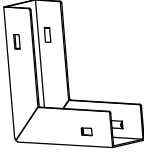
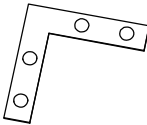
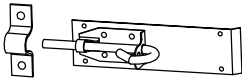
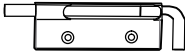



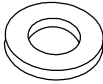

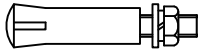
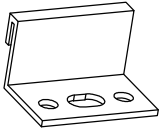
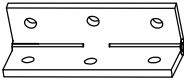


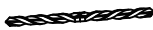
1. Unpack all components from the carton and lay outside your work area and check parts against the part list on the next page.
2. Refer to page 6, the unique clipping method reduces the number of screws and rivets required and speed up assembly.
3. Work through assembly instructions Page by Page
4. When completed place shed in position and anchor securely to the ground.
5. Clean up all metal pieces, rivets and screws.



 PT2 x04	 P1 x04	 P2 x01
 P3 x01	 P4 x01	 P5 x01
 P6 x02	 PD1 x02	 FU1 x04
 FU2 x02	 FB2 x06	 FM1 x02
 FM2 x02	 FM3 x02	 FC2 x01

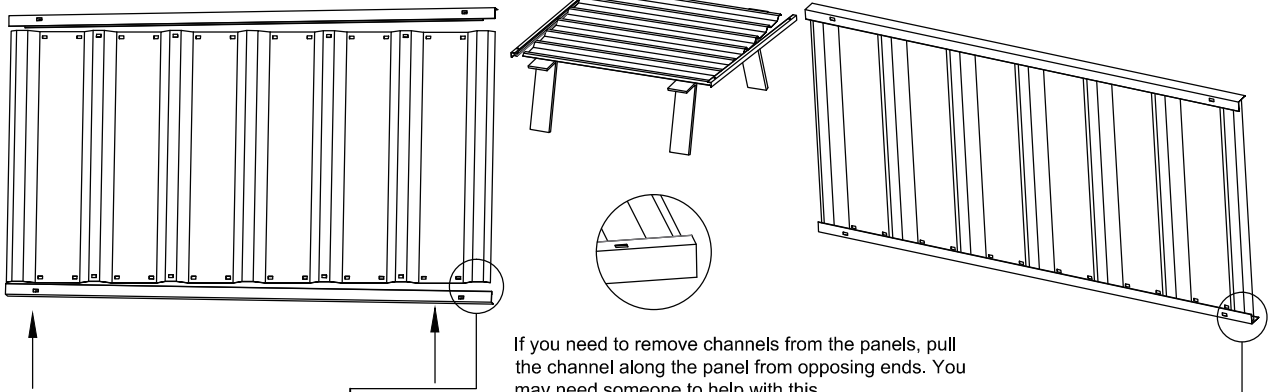
 <p>FD1 x04</p>	 <p>FD2 x02</p>	 <p>FD3 x02</p>
 <p>FDU1 x02</p>	 <p>FDU2 x04</p>	 <p>LT1 x04</p>
 <p>LT2 x02</p>	 <p>MS1 x02</p>	 <p>JA2 x01</p>
 <p>JAV1 x02</p>	 <p>JAD1 x01</p>	

HARDWARE

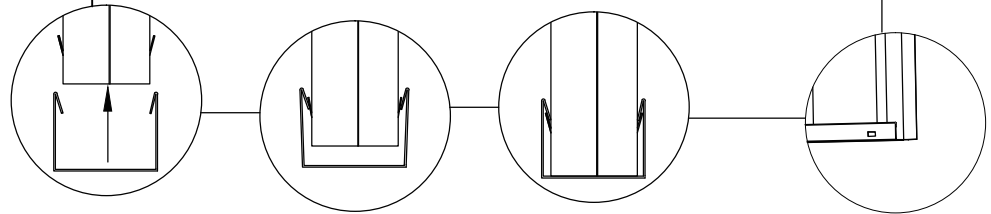
<p>L1 x02</p> 	<p>L1A x12</p> 	<p>L3 x82</p> 	<p>J3 x05</p> 
<p>MSA x04</p> 	<p>C1 x08</p> 	<p>C12 x08</p> 	<p>C23 x04</p> 
<p>H1 x01</p> 	<p>H2 x01</p> 	<p>H3 x01</p> 	<p>H1B x01</p> 
<p>S3 x202 +2(spare)</p> 	<p>S5 x50</p> 	<p>S16 x30 +2(spare)</p> 	<p>S11 x12</p> 
<p>C7 x12</p> 	<p>SH1 x04</p> 	<p>Gloves</p> 	<p>Lock x01</p> 
<p>Drill bit x01</p> 			

PUSH position channel over one end of the sheets,
working along the sheets to the other end.

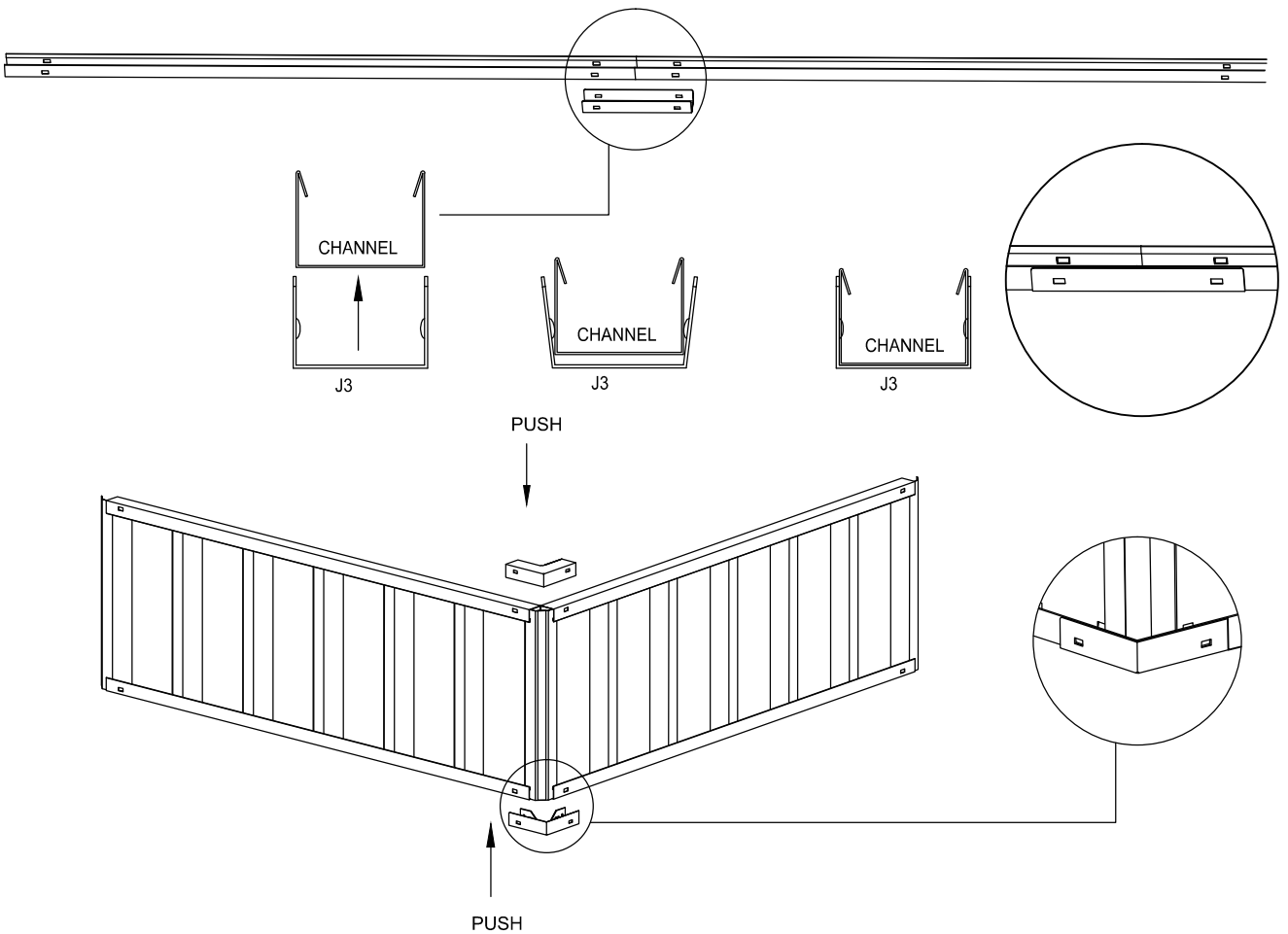
It installs more easily if panels spread on the table.





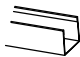

If you need to remove channels from the panels, pull
the channel along the panel from opposing ends. You
may need someone to help with this.

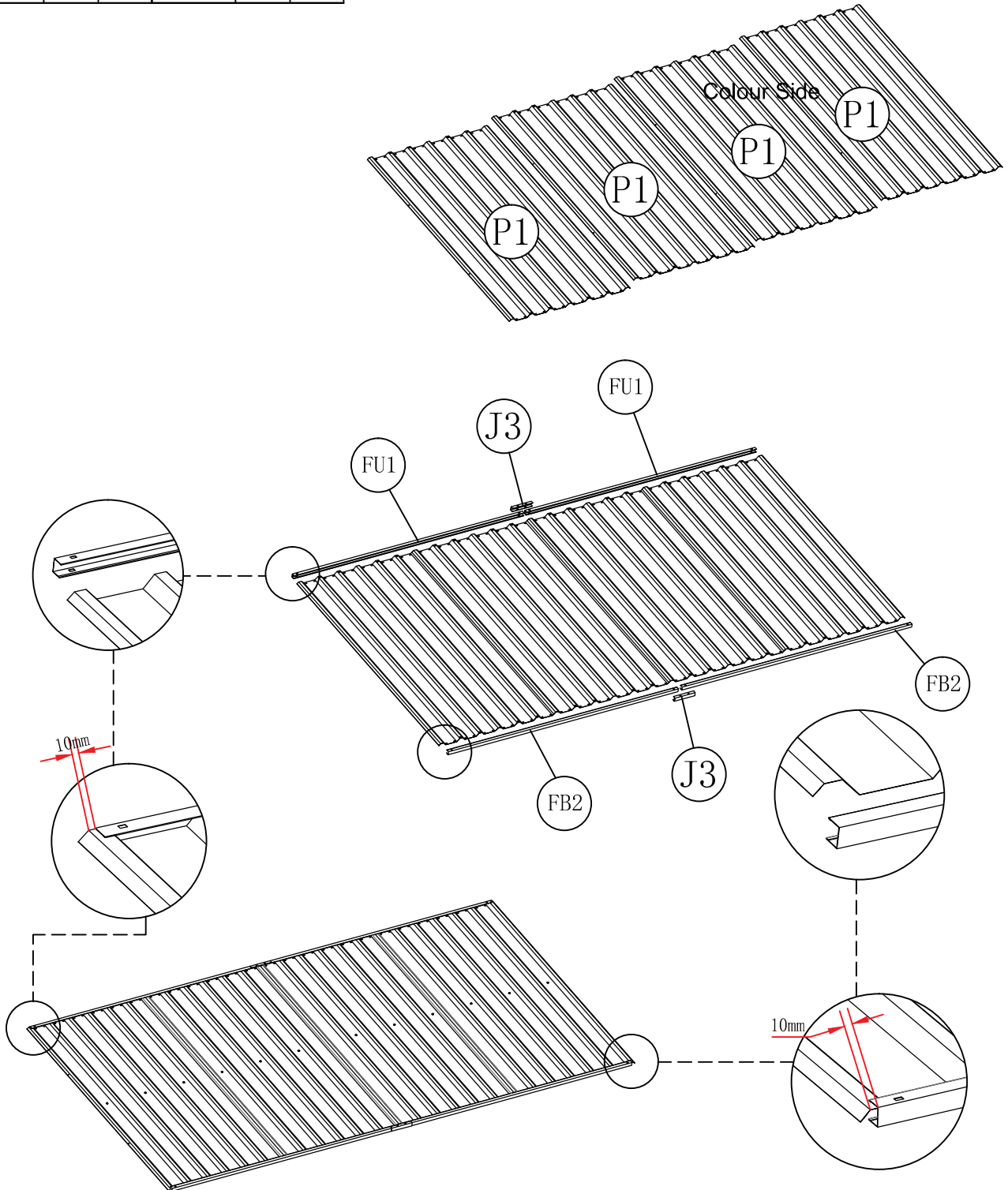


INSTRUCTIONS FOR JOINING SPLICED CHANNELS




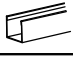

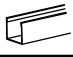

PANEL ASSEMBLY REAR WALLS

	P1	4		FU1	2
	FB2	2		J3	2


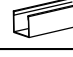

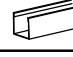



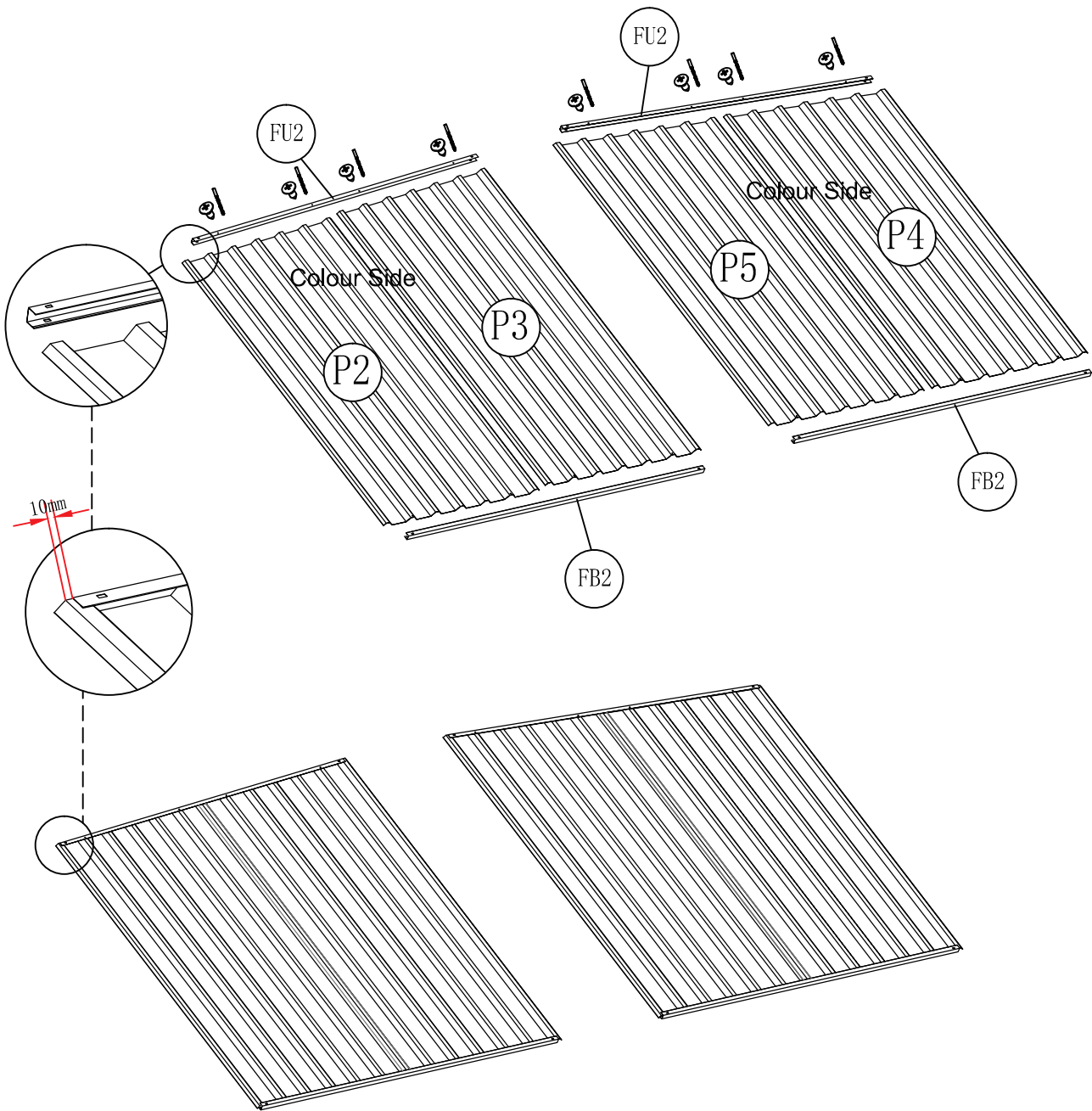
PANEL ASSEMBLY LEFT & RIGHT WALLS

Left Wall










	P3	1		FU2	1
	P2	1		FB2	1
	S3	4			

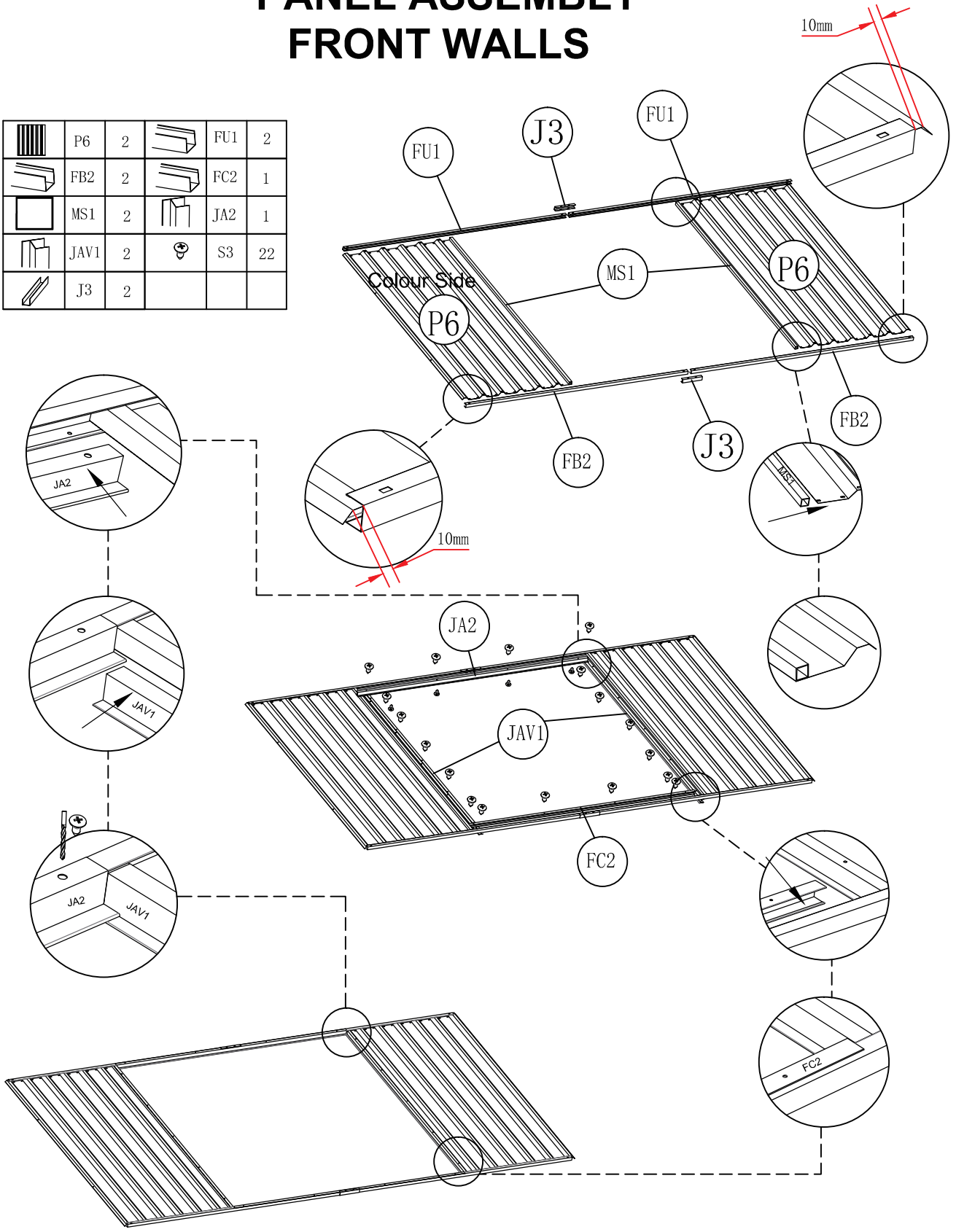
Right Wall

	P4	1		FU2	1
	P5	1		FB2	1
	S3	4			

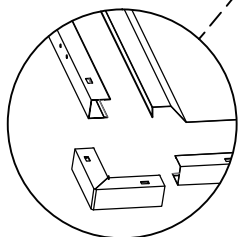
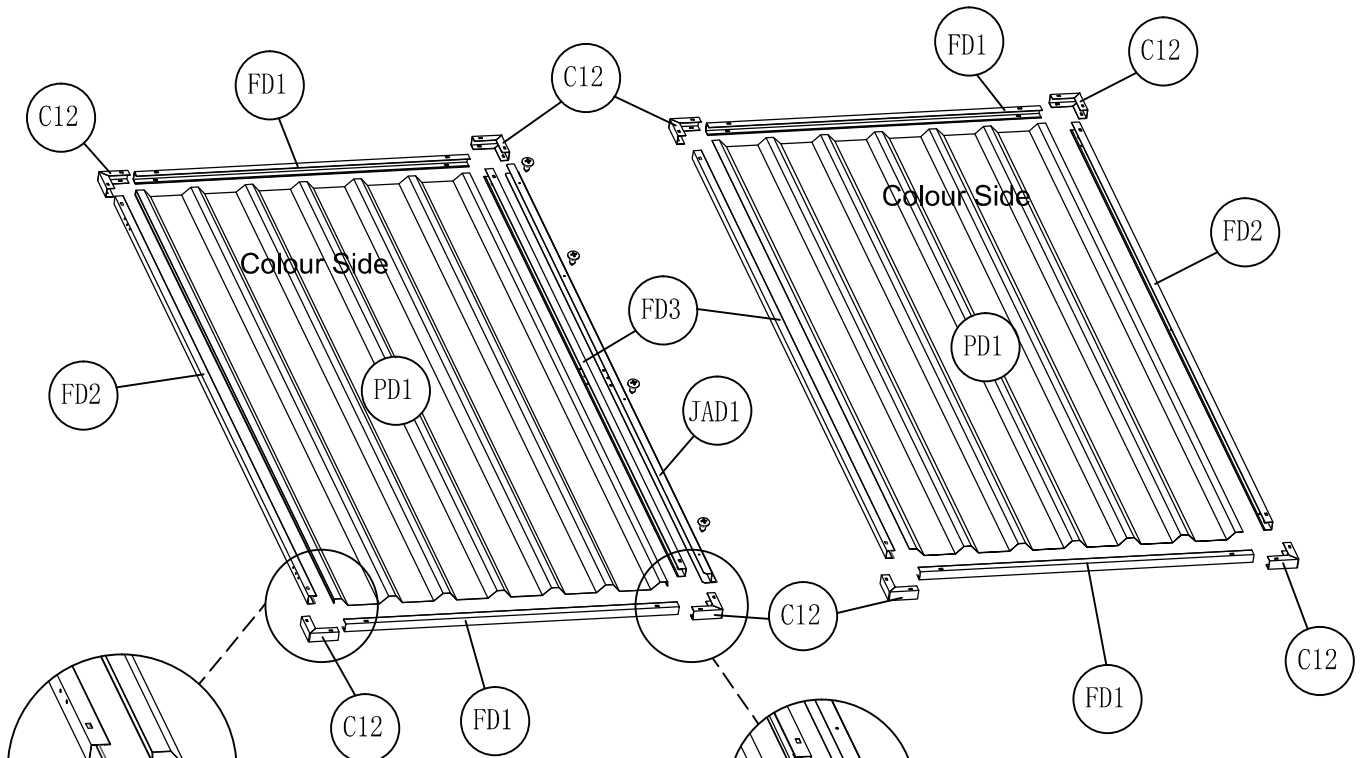


PANEL ASSEMBLY FRONT WALLS

	P6	2		FU1	2
	FB2	2		FC2	1
	MS1	2		JA2	1
	JAV1	2		S3	22
	J3	2			

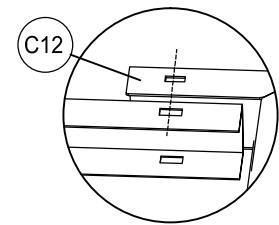
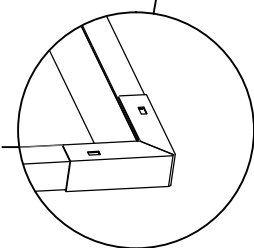
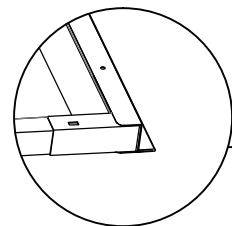
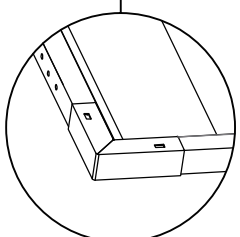


SHED ASSEMBLY FRONT DOORS

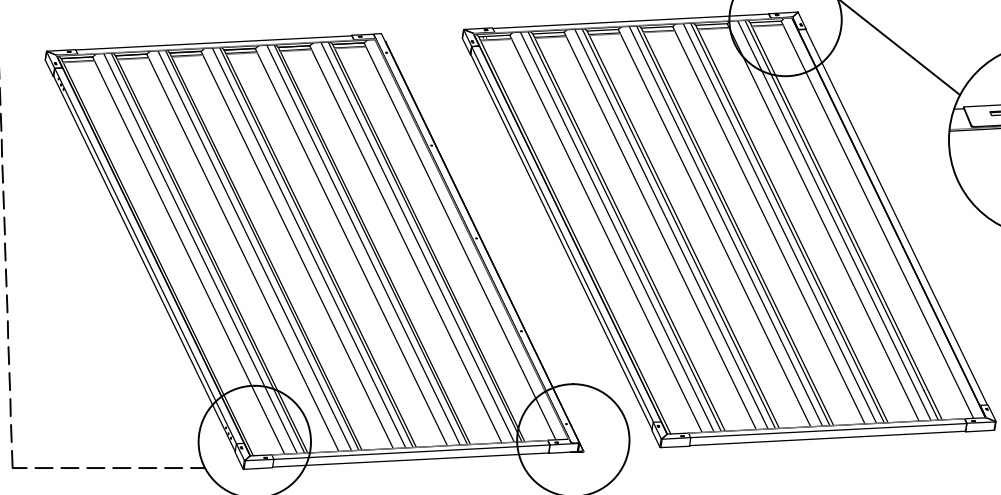


	PD1	1			
	FD1	2		FD2	1
	FD3	1		C12	4
	JAD1	1		S3	4

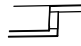
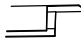


	PD1	1			
	FD1	2		FD2	1
	FD3	1		C12	4

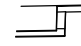
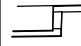




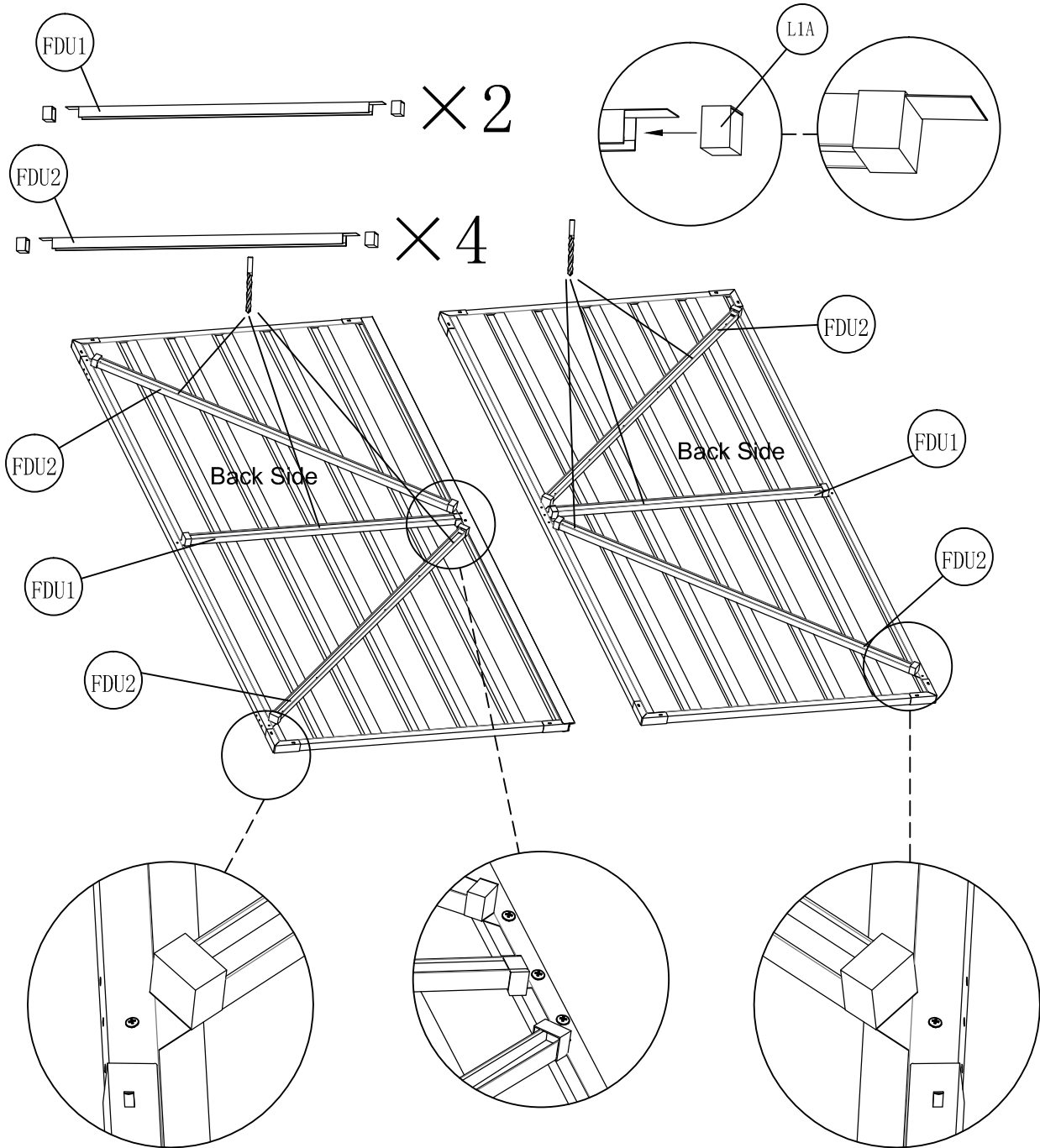
Warning! Please make sure connect the raised spots of C12 with square holes in U channel.



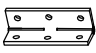



SHED ASSEMBLY FRONT DOORS

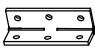



	FDU1	1		FDU2	2
	S3	6		L1A	6

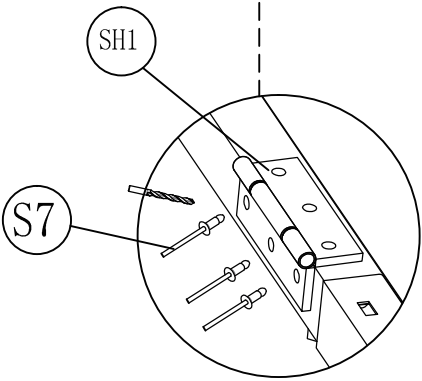
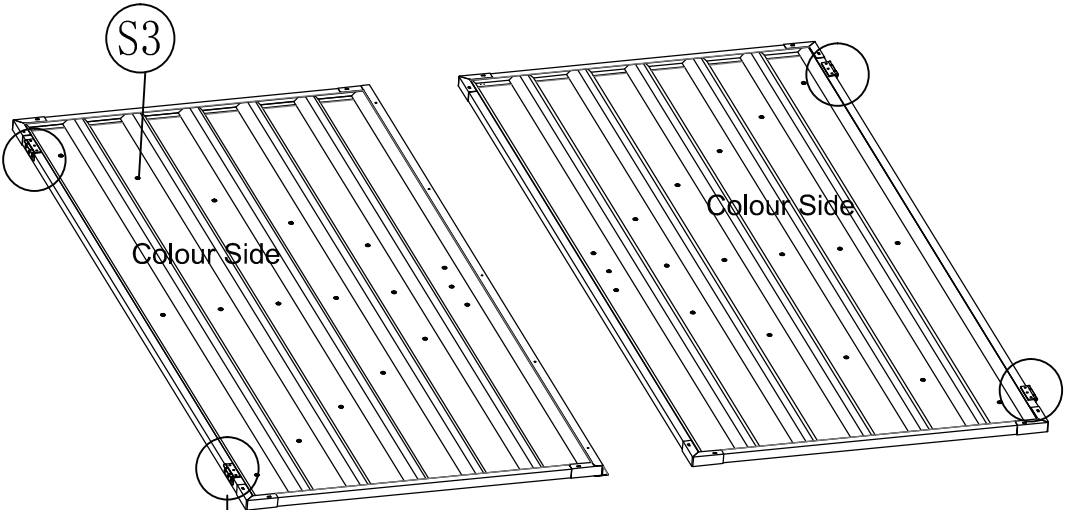
	FDU1	1		FDU2	2
	S3	6		L1A	6



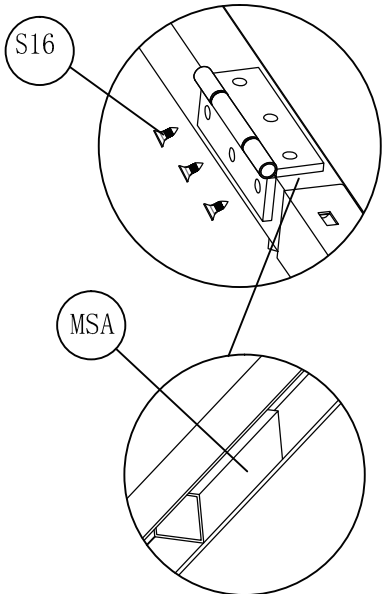
SHED ASSEMBLY FRONT DOORS

	SH1	2		S3	18
	S7	6		L3	18

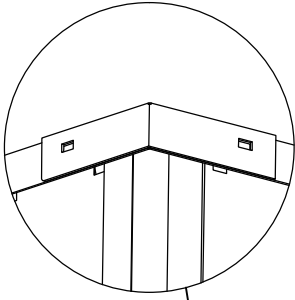
	SH1	2		S3	18
	S7	6		L3	18



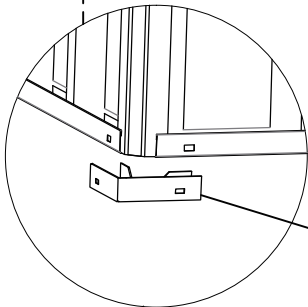
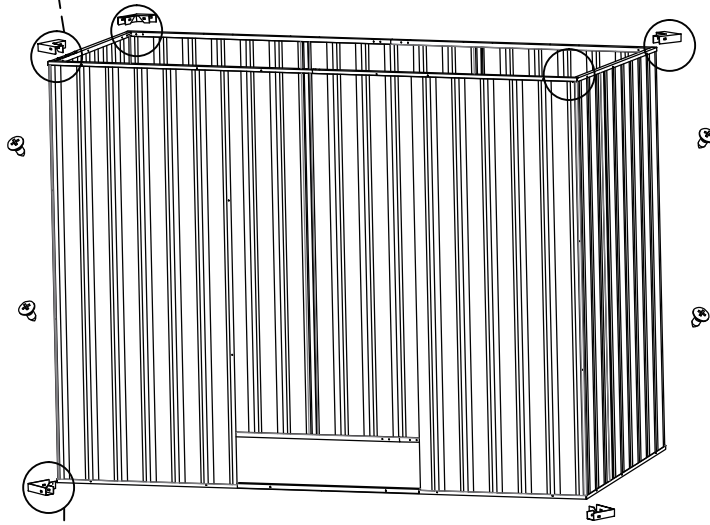
OR



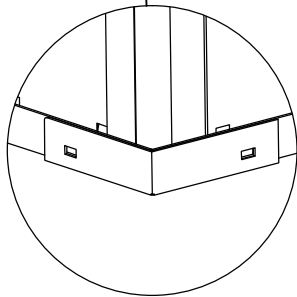
SHED ASSEMBLY JOINING WALLS






Ensure the correct location of up and down, when you install four walls.



C1

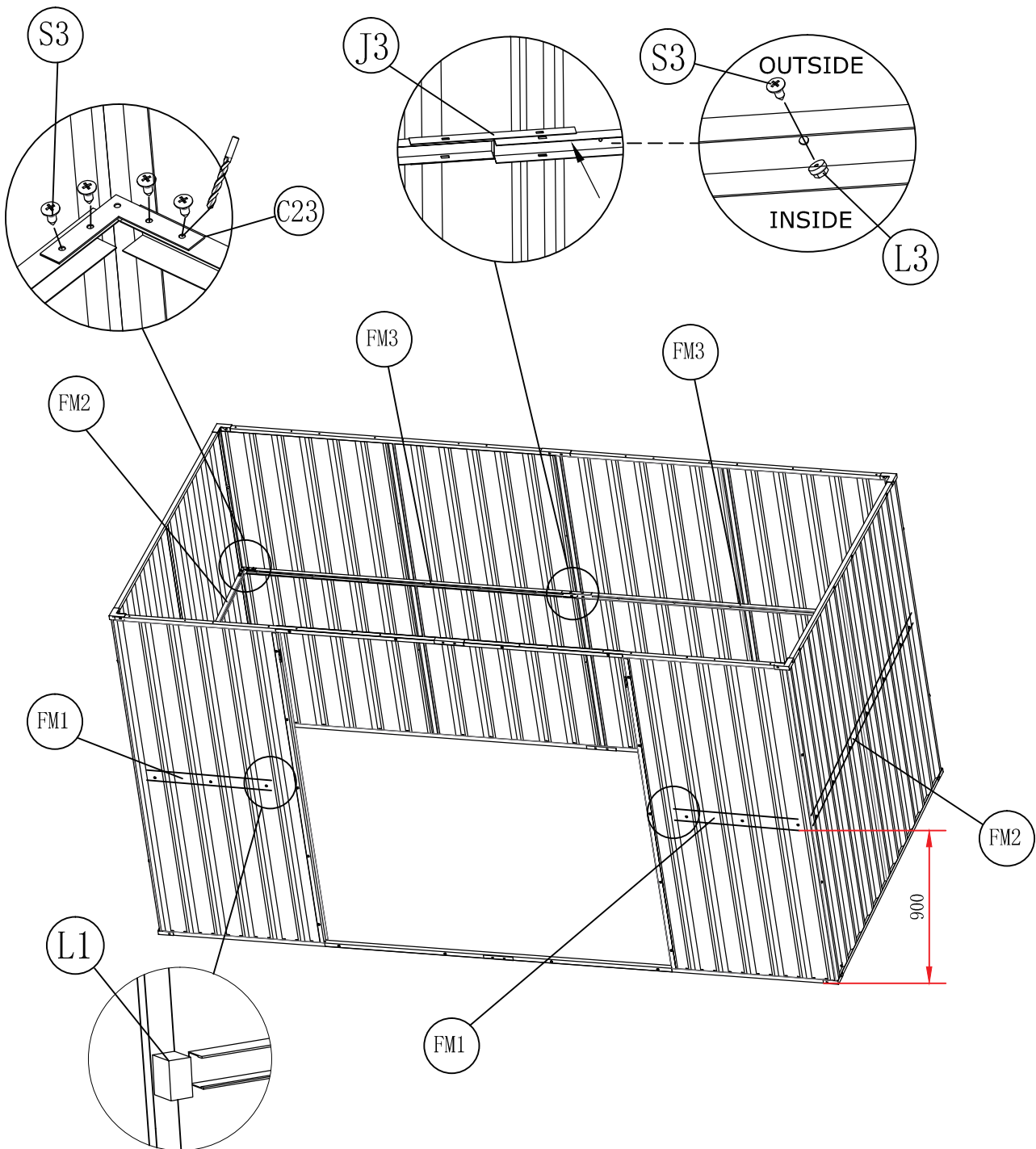


	S3	8		L3	8
	C1	8			




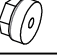
SHED ASSEMBLY MIDDLE BRACES

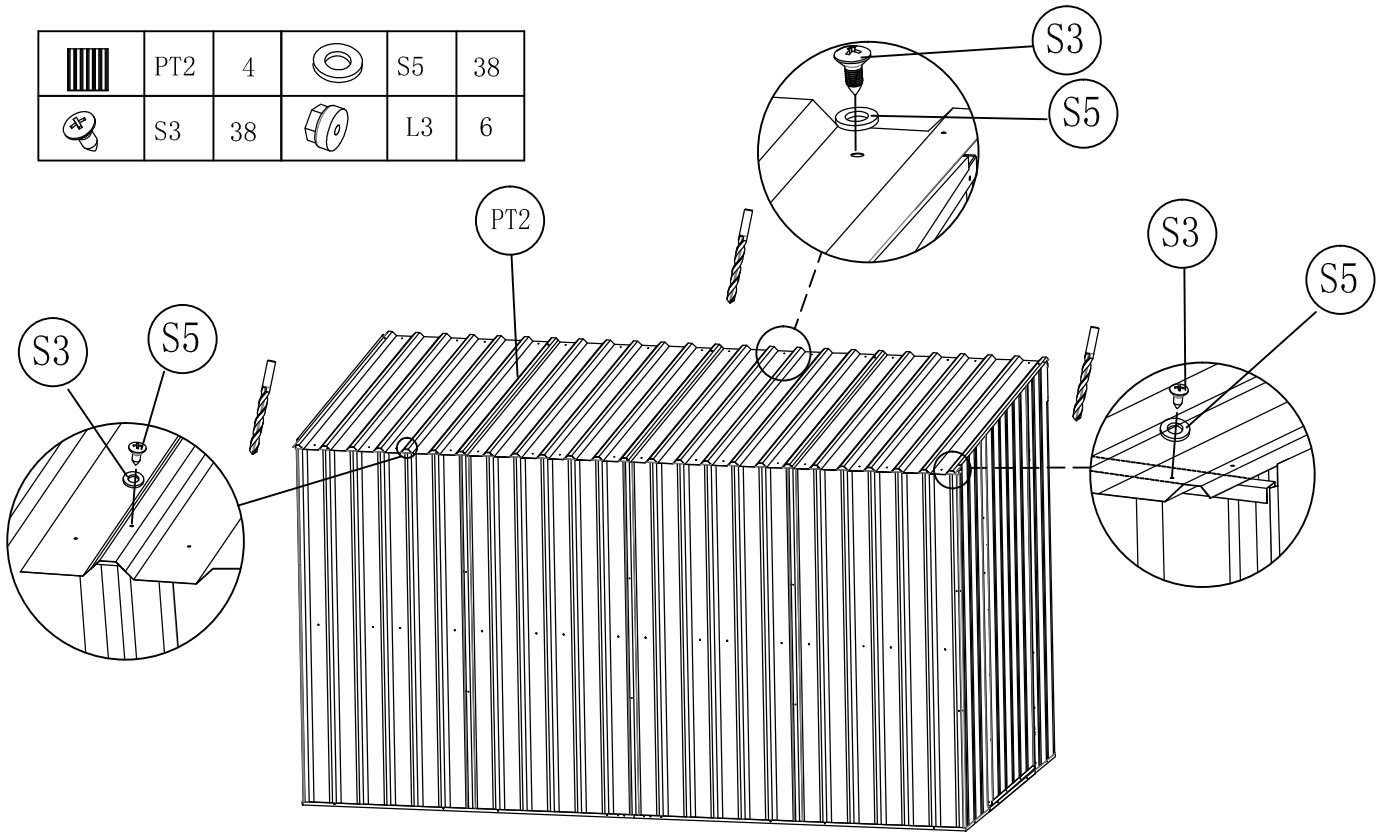
	FM1	2		FM2	2
	FM3	2		J3	1
	L3	32		L1	2
	S3	48		C23	4





Use the holes of U channel drill new holes on the wall panel and fasten by using S3. Cap all S3 tips with L3.

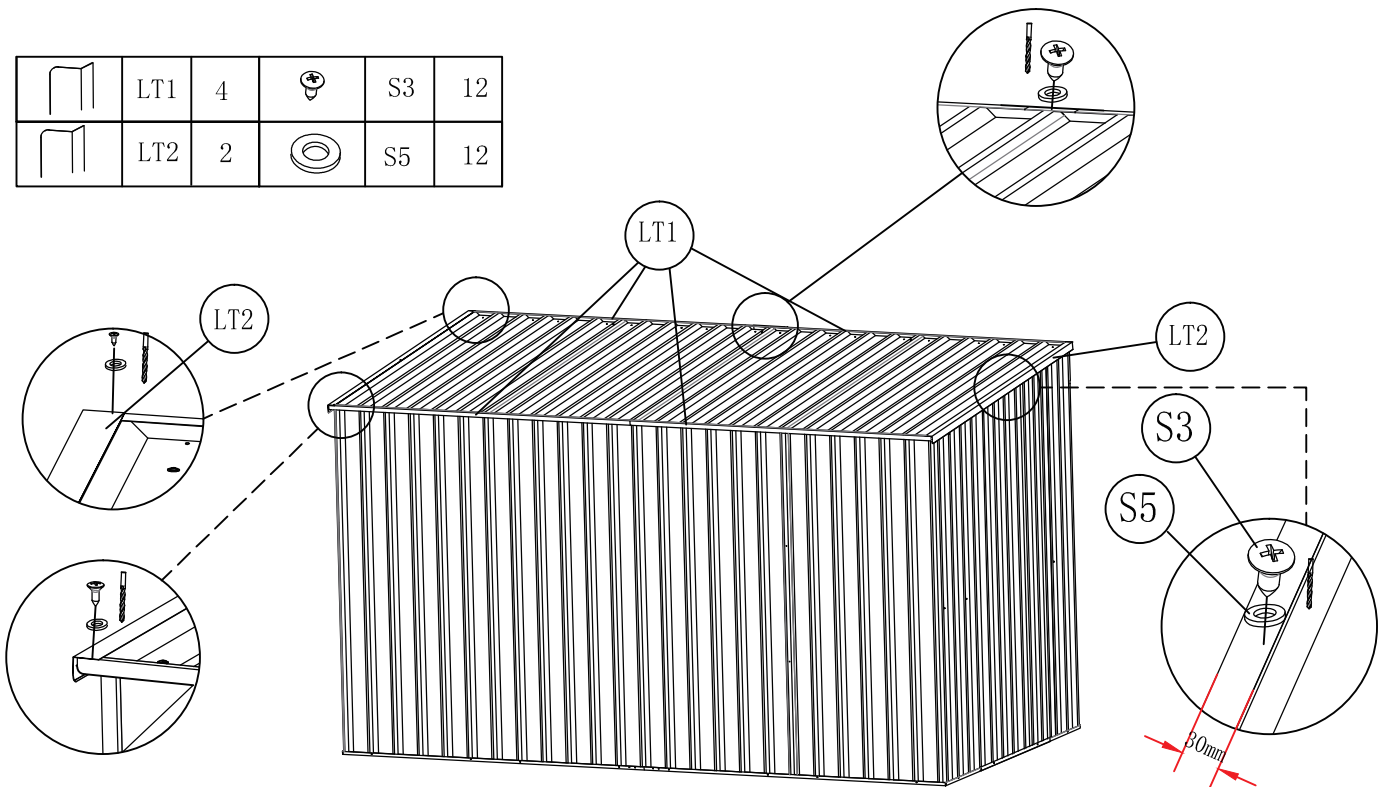


SHED ASSEMBLY ROOF PANELS

	PT2	4		S5	38
	S3	38		L3	6




	LT1	4		S3	12
	LT2	2		S5	12

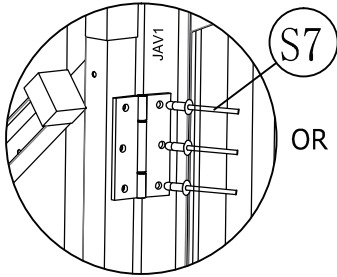


SHED ASSEMBLY STEP 1-3 HINGES & LATCH

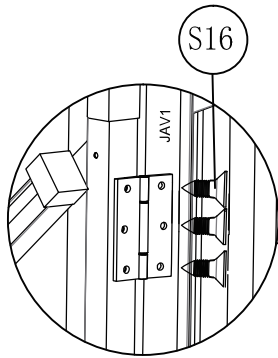
STEP 1.

Adjust the position of the door, mark on JAV1 and use the drill to drill through, then use S7 or S16 to connect.

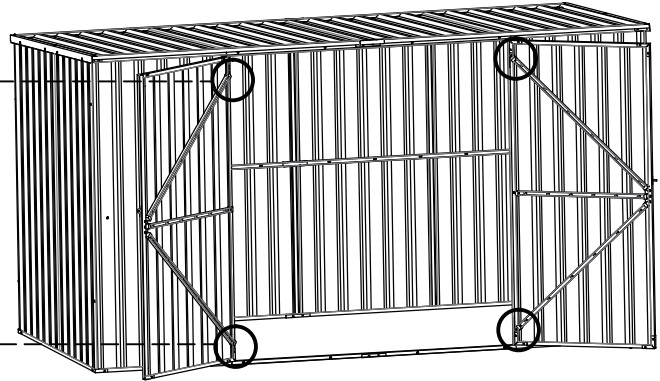
	S16	12
---	-----	----



OR

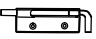




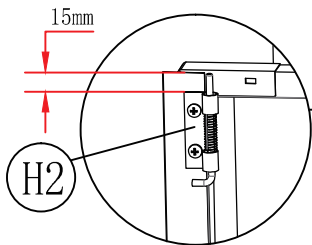
S16



STEP 2.

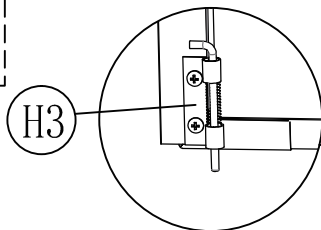
Determine position of lower latch when the door is closed, mark the spot and drill holes, then fix with S3.

	H2	1		H3	1
	S3	4			

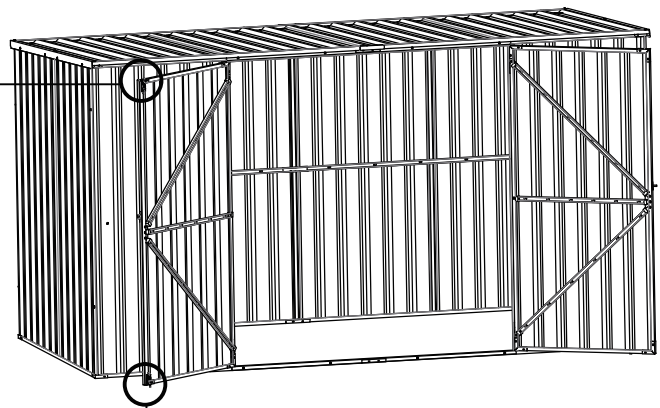


15mm

H2




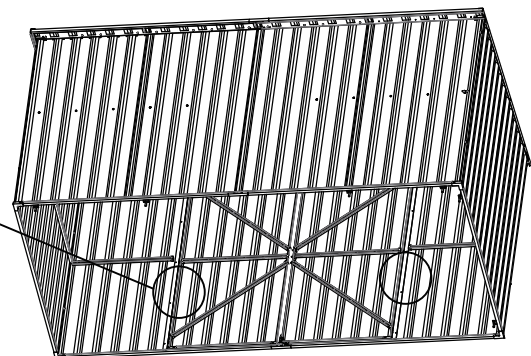
H3



STEP 3.



Adjust the door position until it opens and closes freely, Use the holes on JAV1, drill new holes and fasten using S3.

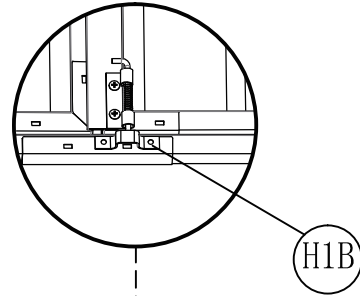
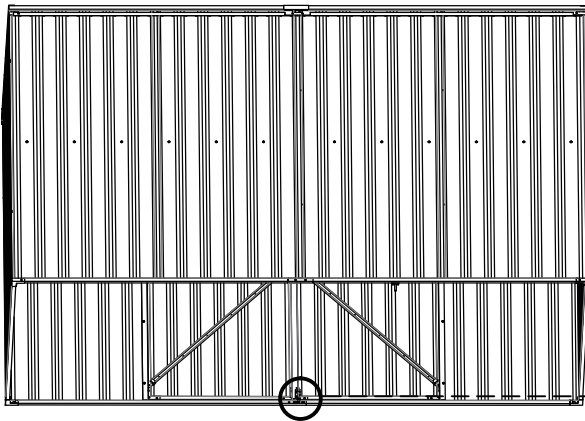
	S3	10
---	----	----





SHED ASSEMBLY STEP 4-5 HINGES & LATCH

STEP 4.

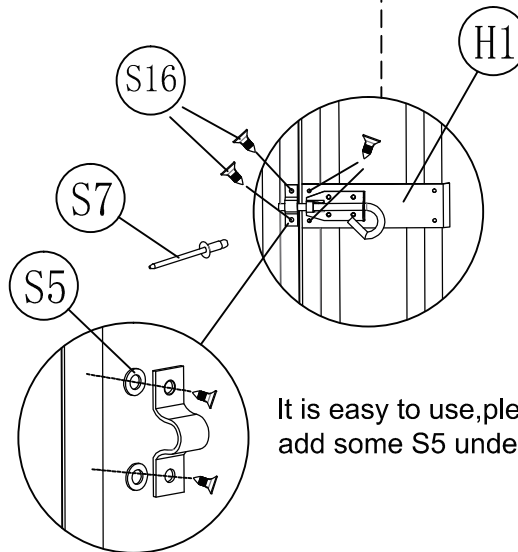
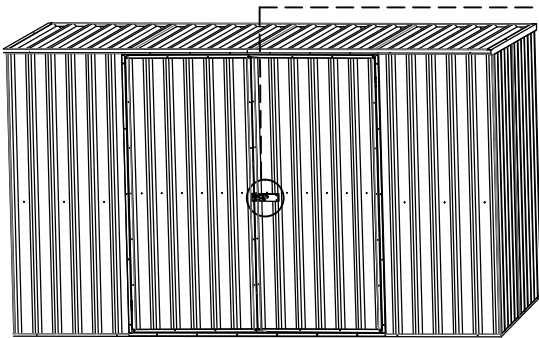
	H1B	1		S3	2
---	-----	---	---	----	---



STEP 5.

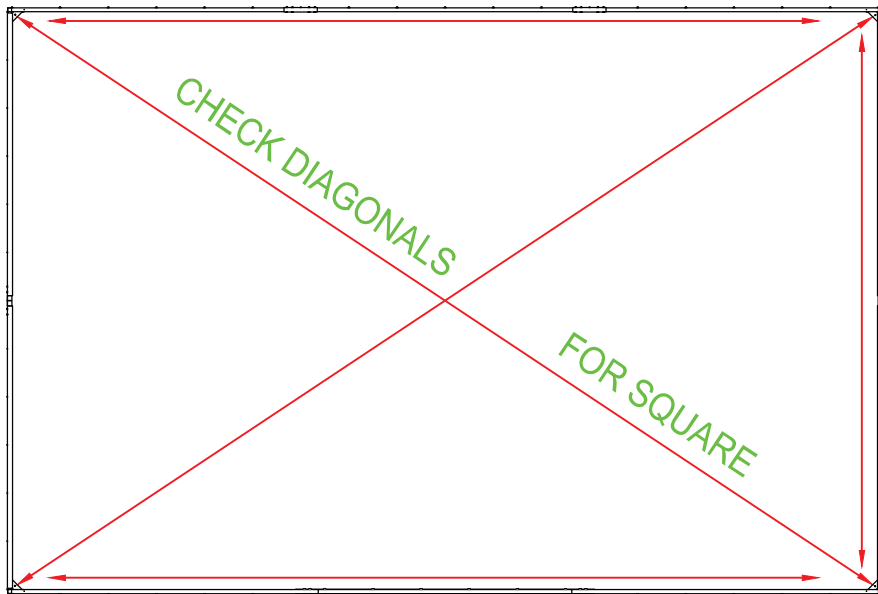
	H1	1		S7	6
---	----	---	---	----	---

Install the latch in position as shown and fix with S16 or S7.



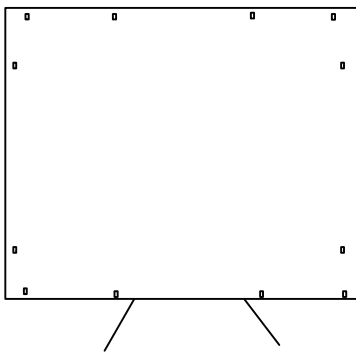
It is easy to use, please add some S5 under H1.


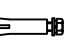
ANCHORING ASSEMBLY

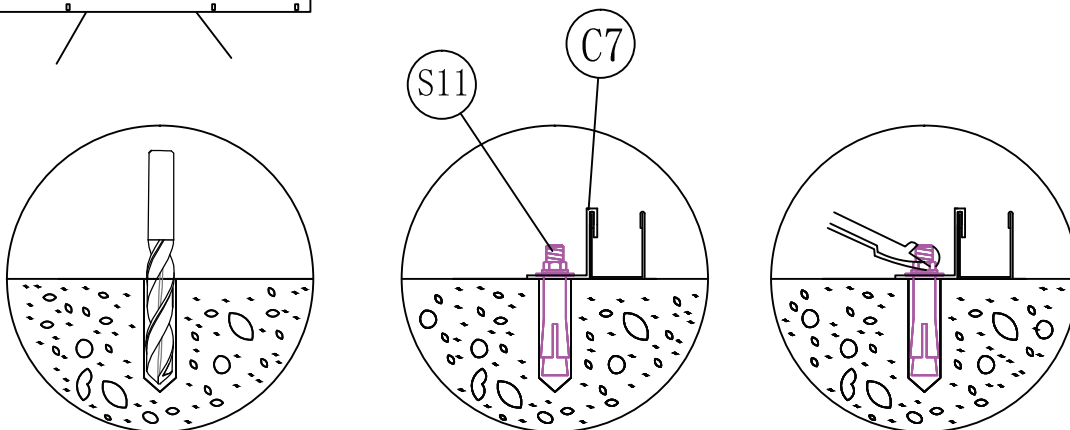


The shed is now free standing. It is critical at this stage, to ensure the shed is leveled. Also by measuring the diagonal distance, make sure the four side walls form a perfect square.

ANCHORING OF SHED



	C7	12
	S11	12



Fastening the anchor kit onto a concrete pad

1. Mark the spot of the anchor clamps on the ground
2. Use 12mm concrete drill bit and drill holes 60mm deep
3. Tap concrete fixing bolts into the hole, place anchor clamps, add washer and nut and fasten.

US

Imported by Aosom LLC
 27150 SW Kinsman Rd Wilsonville, OR 97070 USA
 MADE IN CHINA

CA

Imported by Aosom Canada Inc.
 7270 Woodbine Avenue, Unit 307, Markham, Ontario Canada
 L3R 4B9
 MADE IN CHINA

Importé par Aosom Canada Inc.
 7270 Woodbine Avenue, unité 307, Markham, Ontario Canada
 L3R 4B9
 Fabriqué en Chine

UK

IMPORTER ADDRESS:
 MH STAR UK LTD
 Unit 27, Perivale Park,
 Horsenden lane South
 Perivale, UB6 7RH
 MADE IN CHINA

FR

ADRESSE D'IMPORTATION:
 MH FRANCE
 2 Rue Maurice Hartmann
 92130 Issy Les Moulinaux
 France
 FABRIQUÉ EN CHINE



Adresses sur quefairedemesdechets.fr

ES

IMPORTADOR:
 SPANISH AOSOM, S.L.
 C/ROC GROS, Nº15.08550, ELS HOSTALETS DE BALENYÀ, SPAIN.
 B66295775
 WWW.AOSOM.ES
 ATENCIONCLIENTE@AOSOM.ES
 TEL: 931294512
 HECHO EN CHINA

PT

SPANISH AOSOM, S.L
 C.ROC GROS N.15, 08550. ELS HOSTALETS DE BALENYÀ
 TEL: 931294512 (SEG-SEX DAS 7:30H ÀS 16:30H)
 INFO@AOSOM.PT
 WWW.AOSOM.PT

DE

ADRESSE DES IMPORTEURE:
 MH Handel GmbH
 Wendenstraße 309
 D-20537 Hamburg
 Germany
 IN CHINA HERGESTELLT

IT

IMPORTATO DA:
 AOSOM Italy srl
 Centro Direzionale Milanofiori
 Strada 1 Palazzo F1
 20057 Assago (MI)
 P.I.: 08567220960
 FATTO IN CINA