



Aosom

IN231000614V01\_US

**B71-054\_B71-054V01**



**EN\_IMPORTANT, RETAIN FOR FUTURE REFERENCE: READ CAREFULLY.**

**FR\_IMPORTANT: A LIRE ATTENTIVEMENT ET À CONSERVER POUR CONSULTATION  
ULTÉRIEURE.**

**ES\_IMPORTANTE, LEA Y GUARDE PARA FUTURAS REFERENCIAS.**

**PT\_IMPORTANTE, RETER PARA REFERÊNCIA FUTURA: LEIA ATENTAMENTE.**

**DE\_WICHTIG! SORGFÄLTIG LESEN UND FÜR SPÄTER NACHSCHLAGEN AUFBEWAHREN.**

**IT\_IMPORTANTE! CONSERVARE IL PRESENTE MANUALE PER FUTURO RIFERIMENTO E  
LEggerlo ATTENTAMENTE.**

### The Owner's Responsibility

**WARNING:** The trailer is designed and constructed to provide a portable, comfortable and sturdy addition to your outdoor ventures. Please read these instructions and all warnings carefully before using and keep the instructions for future reference.

If the Trailer was purchased unassembled, it is the owner's responsibility to follow all assembly and adjustment instructions exactly as written in this manual, and any "special instruction" supplied to ensure complete and proper assembly. Make sure all fasteners and components are securely tightened during installation.

#### NOTE:

- Periodically check that all fasteners and components are securely tightened.
- Check the working conditions of both bike and trailer before each use. If you discover broken components, misalignment or missing parts, correct the problem prior to use.

If the Trailer was purchased assembled, it is the owner's responsibility before using the Trailer for the first time, to make sure the Trailer has been assembled and adjusted exactly as written in this manual, and any "Special Instructions" supplied and to make sure all fasteners and components are securely tightened.

Thank you for your purchase. If you have problems, do not return to store. Call customer service. Please refer to model/date code label on product or cover of manual.

### Warning and Safety Information

#### Meanings of warnings:


 This symbol is important. See the word "CAUTION" or "WARNING" which follows it.

The word "CAUTION" is before mechanical instructions. If you do not obey these instructions, mechanical damage or failure of a part of the Trailer can occur.


The word "WARNING" is before personal safety instructions. If you do not obey these instructions, injury to the rider or to others can occur.

### Trailer Compatibility

#### Reflectors

 **WARNING:** For your safety, do not use the Trailer if the reflectors are incorrectly installed, damaged, or missing. Make sure the rear reflectors are vertical and pointing straight back. Do not allow the visibility of the reflectors to be blocked by clothing or other articles. Dirty reflectors do not work well. Clean the reflectors, as necessary, with soap and a damp cloth.

#### Trailer warnings

 **WARNING:** Failure to comply with the manufacture's instructions can lead to serious injury or death of the passenger/rider.

- Adult assembly required.
- This trailer is only for cargo use, not for use as a child carrier.
- Never exceed a safe speed. Recommended maximum speed is 8 MPH(13KMH) and slowing to no more than 3 MPH(5KMH) when turning.
- As cargo trailer: Maximum weight is 100lb (45KG). Maximum load weight is 71.5lb (32.5KG). The product weight is 27.5lb (12.5KG).
- Riders must wear an approved bicycle helmet when riding in this product.

## Trailer warnings - continued

- The trailer is not suitable for running or skating. Do not use trailer in snow or icy conditions.
- Do not install a car seat or any other seating device not approved by the manufacturer inside the trailer.
- Do not use on rocky or uneven road surfaces.
- Do not park near inclines or uneven roads that may cause the trailer to tip.
- Make no modification to the trailer.
- Before each ride, ensure the attached trailer and trailer components do not interfere with braking, pedaling, or steering of the bicycle.
- Never use a trailer at night or times of limited visibility.
- Obey all local laws and regulations for bicycles and trailers.
- Check all fasteners before each ride.
- Ensure lock pins are fully inserted/engaged before each ride.
- Always use the safety flag when pulling this trailer.
- The bicycle to which the trailer is attached should undergo a safety check by a qualified bicycle mechanic before attaching the trailer to it.
- Check tires before rider. Inflate tires to recommended pressure shown on tire sidewall.
- Ensure brakes on your bicycle work properly before each ride. Braking distance is increased when pulling a trailer.
- Do not use cleaning solvents. Clean only with soap and water.


### Pre-Ride Safety check

Before each ride:

1. Ensure Bike and Trailer are in top working condition.
2. Check TIRE AIR PRESSURE of both Bike and Trailer.
3. Check to ensure Hitch Connector and Safety Strap are secured.
4. Secure all cargo and fasten top cover.
5. HELMETS ON! Ensure rider is on and secure.

### Introduction to Assembly

This Owner's Manual is made for several different Trailers:

- Some illustrations may vary slightly from the actual product.
  - Follow instruction completely.
  - If the trailer has any parts that are not described in this manual, look for separate "Special Instructions" that are supplied with the Trailer.
  - Please read through this entire manual before beginning assembly or maintenance.
  - If you are not confident with assembling this unit, refer to local bike shop.
-  **WARNING:** Keep small parts away from children during assembly.

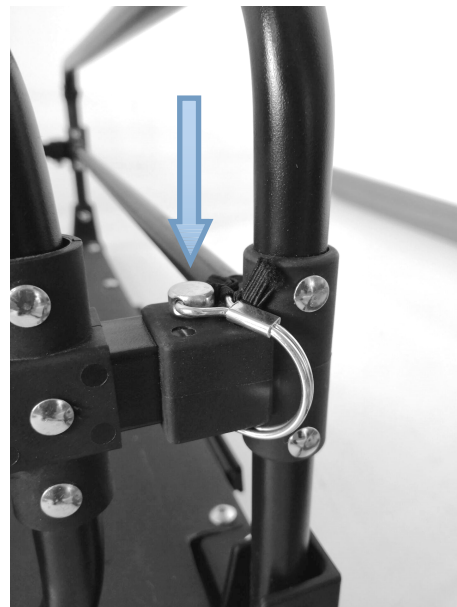
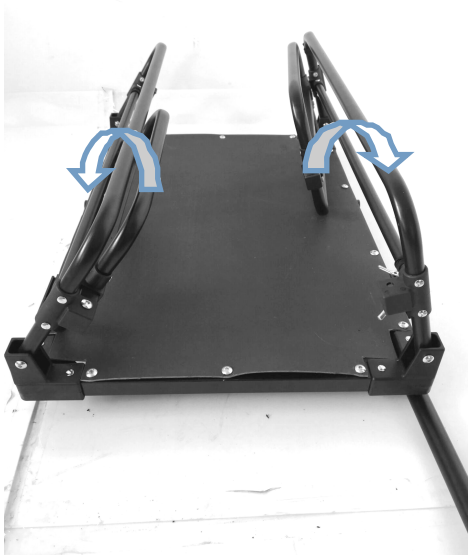
## Trailer Parts Include In The Box



## Assembling the Frame

### Steps:

1. Place the cargo basket frame on a flat surface.
2. Unfold Side Frames so they are upright.
3. Then unfold other two-directions Frame, push side frames apart and insert end of bar into clamp bracket.
4. Insert Safety Pin and snap clip ring over end of Safety pin as show.



## Setting up the Hitch Arm

### Steps:

1. Turn the unit on it's side.
2. Remove the Safety Pin from rear hole as shown.
3. Rotate Hitch Arm so that it points forward.
4. Insert Safety Pin in FORWARD hole and snap clip ring over end of Safety Pin as shown.
5. Assemble shock absorbers as shown and lock them.



Safety Pin → → Hitch Arm



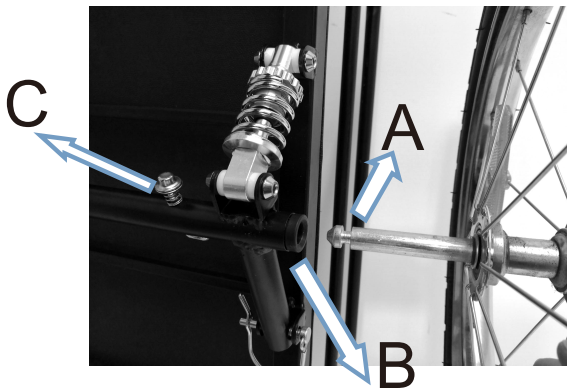
**WARNING:** Do not use the trailer without proper installation of the safety pin.

Installing the Wheels

Steps:

1. Turn the unit on it's back.
2. Slide each Wheel Shaft (A) into the Trailer Axle (B).
3. Press the Lock Button (C) until the Wheel locks into position and cannot be pulled out. .
4. Repeat for opposite side.

NOTE: To remove the Wheel, push in the Lock Button and pull the Wheel out of the Axle.



**WARNING:**

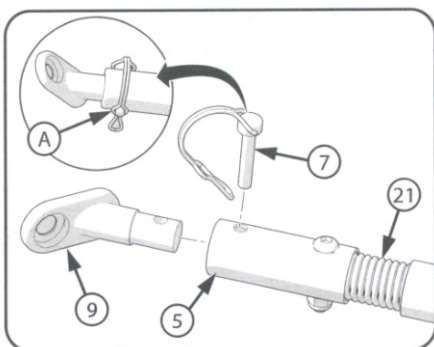
- For easy towing and safe handling, check tires often for proper inflation and wear. Check tire pressure regularly and inflate tires to within the range shown on the tire sidewall.
- Failure to properly install wheels could allow them to come off during use. This could lead to serious injury.

Attaching the Trailer to Bike

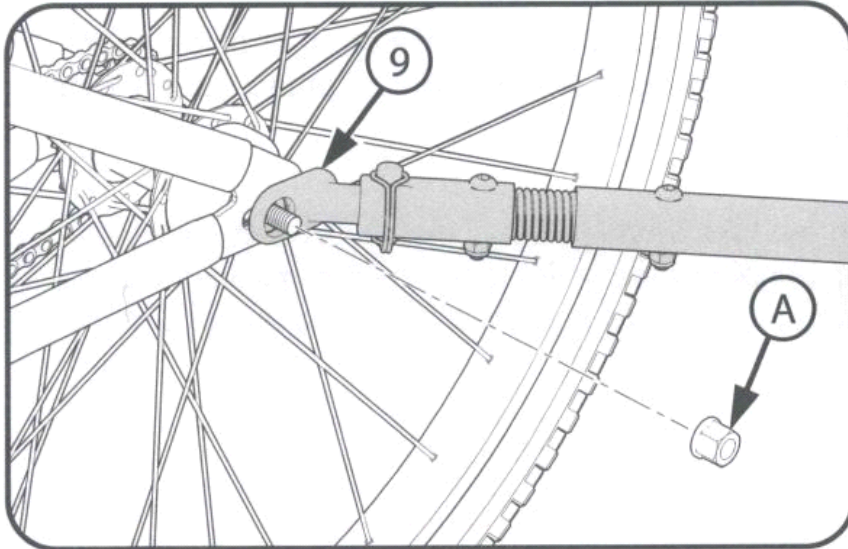
Steps:

(Hitch Connector (9) may be pre-install from the factory)

1. Insert the Hitch Connector (9) into the Hitch Arm (5).
2. Insert Safety Pin (7) and snap Clip Ring (A) over end of Safety Pin as shown.

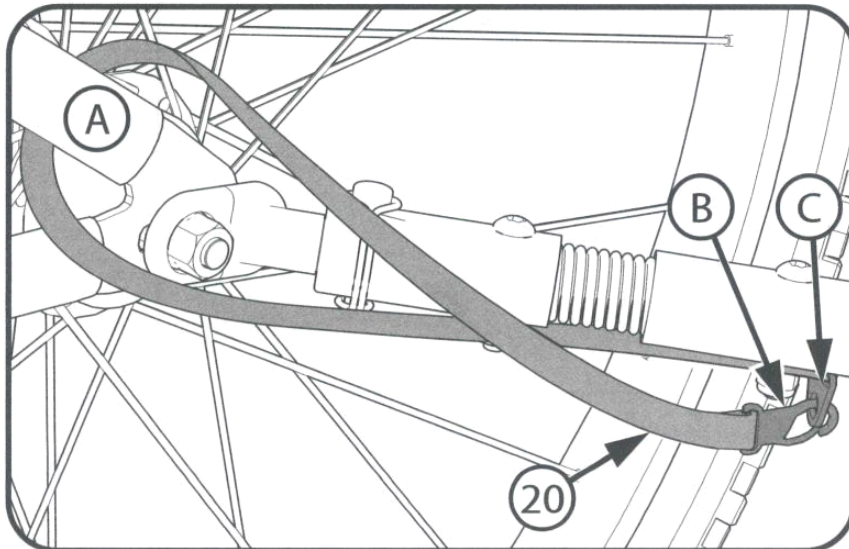


1. Remove the left rear Axle Nut (A) from the bike.
2. Fasten the Hitch Connector (9) onto the rear axle using the existing Axle Nut as shown.
3. Ensure wheel is properly aligned and chain properly tightened as described in bicycle owner's manual.
4. Install and tighten Axle Nut as described in bicycle owner's manual.



#### Attaching Safety Strap to Bike Steps:

1. Route Safety Strap (20) around Bike's Frame (A) as shown.
2. Securely fasten Strap Clamp (B) to Bracket (C) as shown.
3. Ensure wheel functions properly with no interference.



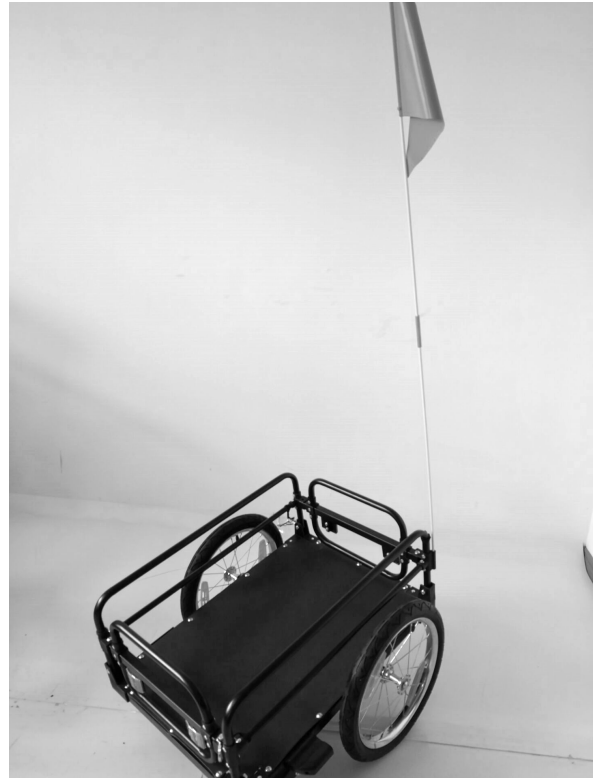
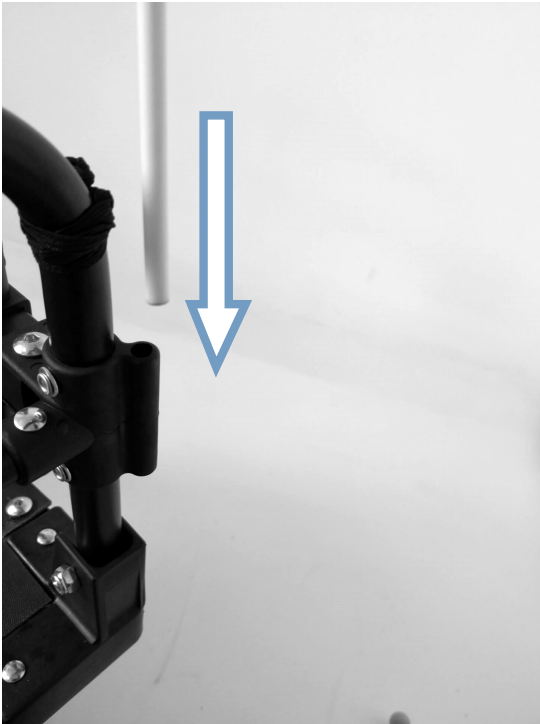
**⚠ WARNING:**  
NOTE: To remove the Trailer from the bike, reverse these installations steps. Ensure wheel is properly aligned and chain properly tightened as described in bicycle owner's manual. Install and tighten Axle Nut as described in bicycle owner's manual.

#### Installing Flag

The Flag slides into the Slot in the side of the left Frame.

#### Steps:

1. Connect both sections of the Flag as shown.
2. Locate the Slot on the rear corner of the frame and slide flag shaft all the way in so that it is secure.



**⚠** WARNING: Do not use Trailer without Flag installed.

#### Product Usage

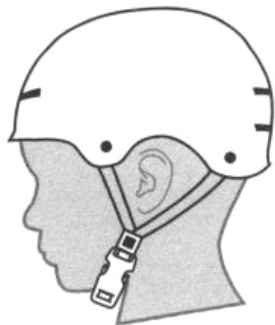
#### Securing and removing the cargo

When you secure/remove the cargo in/from the trailer, always check if the trailer is stably connected with the bike.

**⚠** WARNING: This trailer is only for cargo use, not for use as a child carrier. Exceeding capacity may cause the trailer to become unstable. Balance weight position of all cargo. Uneven loading may cause it to change balance and become unstable.



**WARNING:**  
ALWAYS WEAR YOUR HELMET WHEN RIDING THIS PRODUCT!




CORRECT INCORRECT

If you have any questions, please contact our customer care center, Our contact details are below:

**US**


 001-877-644-9366

 customerservice@aosom.com

Imported by Aosom LLC  
27150 SW Kinsman Rd Wilsonville, OR 97070 USA  
MADE IN CHINA

If you have any questions, please contact our customer care center, Our contact details are below:


**CA**

 416-792-6088

 customerservice@aosom.ca

Imported by Aosom Canada Inc.  
7270 Woodbine Avenue, Unit 307, Markham,  
Ontario Canada L3R 4B9  
MADE IN CHINA

Si vous avez la moindre question, veuillez contacter notre centre d'assistance à la clientèle, Nos coordonnées sont les suivantes:

 416-792-6088

 customerservice@aosom.ca

Importé par Aosom Canada Inc.  
7270 Woodbine Avenue, unité 307,  
Markham, Ontario Canada L3R 4B9  
FABRIQUÉ EN CHINE

If you have any questions, please contact our customer care center, Our contact details are below:

**UK**


 0044-800-240-4004

 enquiries@mhstar.co.uk

IMPORTER ADDRESS:  
MH STAR UK LTD  
Unit 27, Perivale Park,  
Horsenden lane South  
Perivale, UB6 7RH  
MADE IN CHINA

Si vous avez la moindre question, veuillez contacter notre centre d'assistance à la clientèle, Nos coordonnées sont les suivantes:

**FR**

 0033-1-84166106

 aosom@mhfrance.fr

Importé par/Fabricant/REP:  
MH FRANCE  
2 Rue Maurice Hartmann  
92130 Issy Les Moulineaux  
France  
FABRIQUÉ EN CHINE

Wenn Sie Fragen haben, wenden Sie sich bitte an unser Kundendienstzentrum, Unsere Kontaktdaten stehen unten:

**DE**


 0049-0(40)-88307530

 service@aosom.de

ADRESSE DES IMPORTEURE/Hersteller/REP:  
MH Handel GmbH  
Wendenstraße 309  
D-20537 Hamburg  
Germany  
IN CHINA HERGESTELLT

In caso di dubbio, si prega di contattare il nostro centro assistenza clienti, I nostri dettagli di contatto sono di seguito:

**IT**


 0039-0249471447

 clienti@aosom.it

IMPORTATO DA/Produttore/REP:  
AOSOM Italy srl  
Centro Direzionale Milanofiori  
Strada 1 Palazzo F1  
20057 Assago (MI)  
P.I.: 08567220960  
FATTO IN CINA

Si tiene alguna pregunta, comuníquese con nuestro Centro de Atención al Cliente, Nuestros datos de contacto son los siguientes:

**ES**


 0034-931294512

 atencioncliente@aosom.es

IMPORTADOR/Fabricante/REP:  
SPANISH AOSOM, S.L.  
C/ROC GROS, N°15.08550, ELS HOSTALETES DE  
BALENYÀ, SPAIN.  
B66295775  
HECHO EN CHINA

Se tiver alguma dúvida, por favor contacte o nosso Centro de Atendimento ao Cliente, Os nossos dados de contacto são os seguintes:

**PT**

 0034-931294512

 info@aosom.pt.

IMPORTADOR/Fabricante/REP:  
SPANISH AOSOM, S.L.  
C.ROC GROS N.15, 08550. ELS HOSTALETES DE  
BALENYÀ  
FEITO NA CHINA



**FR**

**DONNEZ  
OU  
RECYCLEZ**



ASSOCIATION

OU



LIVRAISON

OU



DÉCHÈTERIE

Adresses sur [quefairedemesdechets.fr](http://quefairedemesdechets.fr)