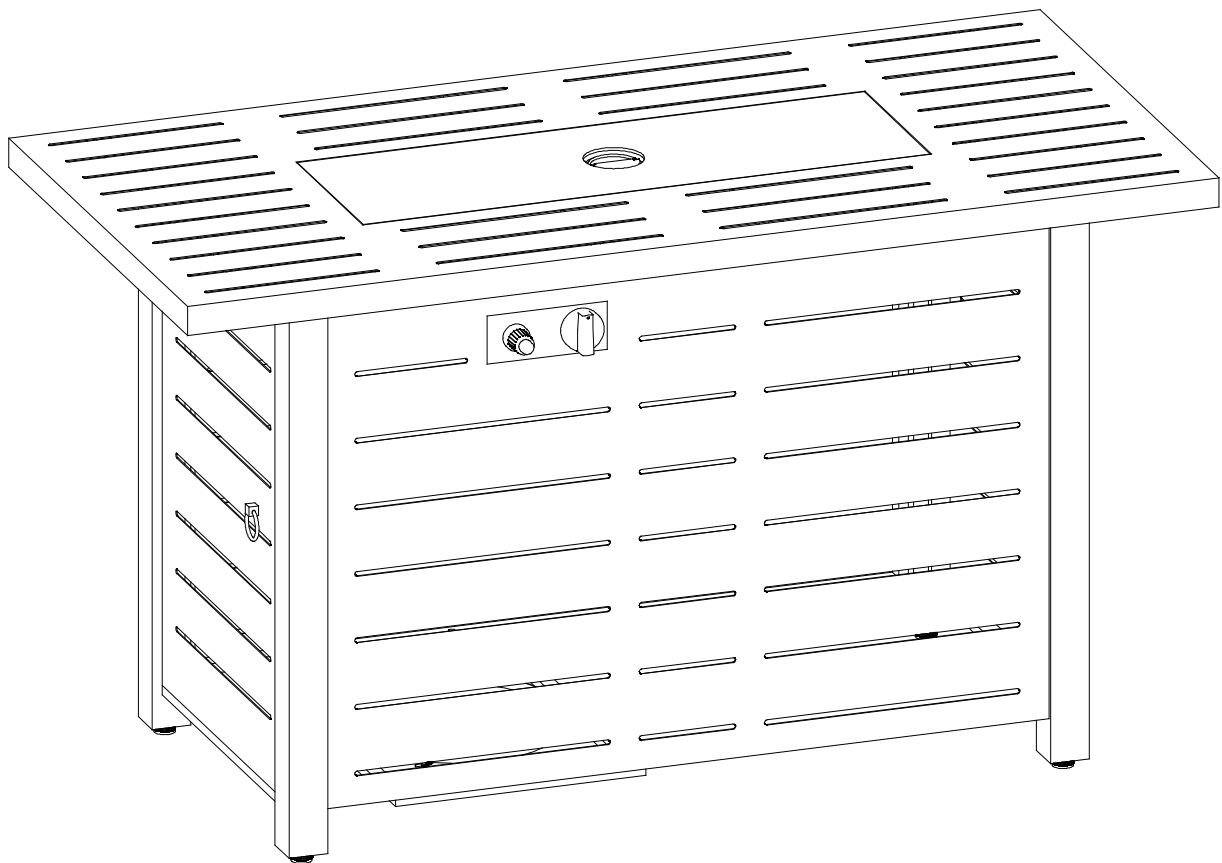




IN231100246V01_UK

842-271V70



IMPORTANT, RETAIN FOR FUTURE REFERENCE: READ CAREFULLY

ASSEMBLY & INSTRUCTION MANUAL

EN

Dear customer,

Thank you for purchasing this product. So that your appliance serves you well, please read all the instructions in this user's manual. If you have any questions, please contact our customer care center, Our contact details are below:

FR

Cher client,

Nous vous remercions d'avoir acheté ce produit. Afin que vous puissiez profiter pleinement de votre appareil, veuillez lire toutes les instructions de ce manuel d'utilisation. Si vous avez la moindre question, veuillez contacter notre centre d'assistance à la clientèle, Nos coordonnées sont les suivantes:

DE

Sehr geehrter Kunde,

Vielen Dank, dass Sie dieses Produkt erworben haben. Damit Ihr Gerät Ihnen gute Dienste leistet, lesen Sie bitte alle Hinweise in diesem Benutzerhandbuch. Wenn Sie Fragen haben, wenden Sie sich bitte an unser Kundendienstzentrum, Unsere Kontaktdaten stehen unten:

ES

Queridos clientes,

Gracias por comprar este producto. Para que su electrodoméstico le sirva mejor, lea todas las instrucciones de este manual del usuario. Si tiene alguna pregunta, comuníquese con nuestro Centro de Atención al Cliente, Nuestros datos de contacto son los siguientes:

PT

Caros clientes,

Obrigado por adquirir este produto. Para que o seu aparelho o sirva melhor, leia todas as instruções deste manual do utilizador. Se tiver alguma dúvida, por favor contacte o nosso Centro de Atendimento ao Cliente, Os nossos dados de contacto são os seguintes:

IT

Caro Cliente,

Grazie per aver acquistato questo prodotto. Per servirti meglio con questo apparecchio ti prego di leggere tutte le istruzioni in presente manuale utente. In caso di dubbio, si prega di contattare il nostro centro assistenza clienti, I nostri dettagli di contatto sono di seguito:


Country	 Phone	 Email
US	001-877-644-9366	customerservice@aosom.com
CA	416-792-6088	customerservice@aosom.ca
UK	0044-800-240-4004	enquiries@mhstar.co.uk
DE	0049-0(40)-88307530	service@aosom.de
FR	0033-1-84166106	aosom@mhfrance.fr
ES	0034-931294512	atencioncliente@aosom.es
PT	0034-931294512	info@aosom.pt
IT	0039-0249471447	clienti@aosom.it

OWNER'S MANUAL


**IMPORTANT, RETAIN FOR FUTURE REFERENCE.
READ CAREFULLY, Read the instruction before use.
Not for domestic use.**


This appliance must be installed in accordance with such regulations as are in force


 **FOR OUTDOOR USE ONLY**
WARNING DO NOT PLACE ON ANY ELEVATED SURFACE

 **WARNING**

- Do not modify the appliance;
- Do not move the appliance during use;
- Turn off the gas supply at the tank after use
- Accessible parts may be very hot. Keep young children away.

 **WARNING** THIS APPLIANCE HAS A NAKED FLAME; YOUNG CHILDREN, THE ELDERLY, AND THE INFIRM SHOULD NOT OPERATE WITHOUT APPROPRIATE SUPERVISION.

 **DANGER: CARBON MONOXIDE HAZARD**
This appliance can produce carbon monoxide which has no odor. Using it in an enclosed space can kill you. Never use this appliance in an enclosed space such as camper, tent, car or home.



ATTENTION: This appliance is fitted with a flexible gas rubber pipe and clamps that must be used; never use a different kind and always use according to the National Rules in force of the country of destination.

These components should be periodically replaced, according to the date reported on the body of each of them, or according to the National Rules in force of the country of destination. Gas regulator and LPG cylinder are not included and must be purchased to match indicated LPG compartment shape and cylinder support.

CONTENTS

SAFETY WARNINGS.....	1	OPERATION.....	7
SPECIFICATIONS.....	2	TESTING FOR LEAKS.....	8
GAS (LPG) WARNINGS.....	3	MAINTANENCE.....	9
TECHNICAL DATA.....	4	STORAGE.....	9
EXPANDED VIEW.....	5	TROUBLESHOOTING.....	10
INSTALLATION.....	6	MISE EN GARDE.....	11
CONNECTING GAS CIRCUIT.....	7	Export information.....	12

These instructions are only valid if the country symbol appears on the instruction manual and on the appliance.



REV: 2021IM.V01

DANGERS AND WARNINGS



DANGER

Failure to follow the Dangers, Warnings and cautions contained in this Owner's Manual may result in serious bodily injury or death, or in a fire or an explosion causing damage to property.

WARNING

- Minimum clearance from unit to combustible material:
72" (182.9cm) from the top; 36" (91.5cm) from all sides and back.
- Do not locate this appliance under over-head unprotected combustible surfaces.
- Improper installation, adjustment, alteration, service or maintenance can cause injury or property damage. Read this Owner's Manual thoroughly before installing, operating or servicing this equipment.
- Keep these instructions for future reference. If you are assembling this unit for someone else, give this manual to them to read and keep for future reference.
- This gas fireplace should ONLY be used outdoors in a well-ventilated space and should NOT be used inside a building, garage, or any other enclosed area.
- DO NOT use this outdoor gas fireplace for indoor heating. Toxic carbon monoxide fumes can accumulate and cause asphyxiation.
- Never leave this gas fireplace unattended when in use.
- Children and adults should be alerted to the hazards of high surface temperatures and kept at a safe distance while fireplace is in use.
- DO NOT operate light or use this fireplace within 8 feet of walls, structures or building.
- Storage of this fireplace indoors is permissible only if it has been disconnected from its fuel supply (LP gas cylinder).
- Gloves are strictly recommended to be used while moving this appliance, to protect your hands.
- Any parts sealed by the manufacturer or its agents are not to be altered by the user.
- DO NOT store or use gasoline or other flammable vapors and liquids within 25 feet (7.62m) of this or any other similar appliance.
- DO NOT store any combustible materials in the base enclosure.
- The use of alcohol, prescription or non-prescription drugs may impair an individual's ability to properly assemble or safely operate this appliance.
- DO NOT use in an explosive atmosphere. Keep gas fireplace area clear and free from combustible materials, gasoline and other flammable vapors and liquids.
- This outdoor fireplace is NOT to be operated by children. Young children should be closely supervised when in the vicinity of this outdoor fireplace.
- This outdoor fireplace is NOT to be installed or used in or on recreation vehicles and/or boats.
- Always use in accordance with all applicable local, state and national codes. Contact your local fire department for details on outdoor fires.
- Use the same precautions you would with any open fire with this outdoor fireplace.
- DO NOT burn solid fuels such as: wood, charcoal briquettes, lump charcoal, manufactured logs driftwood, trash, leaves, paper, cardboard, plywood, painted or stained or pressure treated wood in this outdoor fireplace.
- DO NOT alter this outdoor fireplace in any manner.
- DO NOT use this outdoor fireplace until it is COMPLETELY assembled and all parts are securely fastened and tightened.
- DO NOT store another LP gas tank within 10 feet (3.05m) of this outdoor fireplace while it is in operation.
- DO NOT use this outdoor fireplace near automobiles, trucks, vans or recreational vehicles.
- DO NOT use this outdoor fireplace under any overhead or near any unprotected combustible materials.
- Avoid using near or under overhanging trees and shrubs.
- Always use this outdoor fire place on a hard, level, non-combustible surface such a concrete, rock or stone. An asphalt or blacktop surface may not be acceptable for this purpose.
- DO NOT use this outdoor fireplace if any part has been under water. Immediately call a qualified service technician to inspect the fireplace and to replace any part or control system and any gas control which has been under water.
- DO NOT wear flammable or loose clothing when operating this outdoor fireplace.
- DO NOT use in windy conditions.
- Keep all electrical cords away from a hot outdoor fireplace.
- On first use, preheat the lava rock/fire glass at highest setting for 15 minutes, in order to remove impurities and trapped air from the natural lava rock/fire glass. It may happen that lava stones (in part) will snap and/or particles will be ejected. So hold during these 15 minutes at least 2 meters around the fireplace clear of flammable objects.

If you smell gas:

- 1. Shut off gas to the appliance.**
- 2. Extinguish any open flame.**
- 3. Do not try lighting any other appliance nearby.**
- 4. Do not touch any electrical switch or use any phone nearby.**
- 5. Immediately call your gas supplier from a neighbor's phone.**
- 6. Follow the gas supplier's instructions.**
- 7. If you cannot reach your gas supplier, call the fire department.**

DANGERS AND WARNINGS

- Certain areas of this outdoor fireplace will become too hot to touch during and after use. Do not touch hot surfaces until the unit has cooled unless you are wearing protective gear such as insulated pot holders or heat resistant gloves or mittens to avoid burns.
- Children and adults should be alerted to the hazards of high surface temperatures and should stay away to avoid burns or clothing ignition.
- DO NOT hang or place clothing or other flammable materials on or near the gas fireplace.
- Any guard or other protective device removed for servicing the fireplace must be re-placed prior to operation.
- DO NOT attempt to move or store this outdoor fireplace until all parts are cool.
- DO NOT lean over this outdoor fireplace when lighting or when in use.
- Use only the regulator and hose assembly provided. Use only replacement regulator and hose assemblies specified by the manufacturer.
- Storage of this outdoor fireplace indoors is permissible only if the tank is disconnected, removed from the outdoor fireplace and properly stored outdoors.
- DO NOT attempt to disconnect the gas regulator from the tank or any gas fitting while the outdoor fireplace is in use.
- Always shut off gas supply at the tank valve and disconnect regulator from the tank when the fireplace is not in use.
- DO NOT sit on the mantle when the unit is in operation.
- DO NOT throw anything onto the fire when the unit is in operation.
- Lava rocks/Fire glass are very hot; please keep children or pets away at a safe distance.
- It is essential to keep the outdoor fireplace valve compartment, burners, and circulating air passages clean. Inspect outdoor fireplace for debris before each use.
- Prior to each gas fireplace operation, check the hose for evidence of excessive abrasion or wear by looking through the visual check hole. If the hose is damaged, cut or cracked, it must be replaced before using the gas fireplace. The hose assembly can only be replaced by a hose assembly specified by the manufacturer.
- Before each use, remove the lava rocks/fire glass. Examine the burner and its components. If dirty, clean with a soft brush and soapy water solution. Also examine the area around the burner. Any dirt or foreign material, such as spider webs or nests in this area should be removed. If it is evident that the burner is damaged, it must be replaced before the gas fireplace is used.
- The burner assembly can only be replaced by a burner specified by the manufacturer. Place the hose out of the pathways where people may trip over it.
- DO NOT cross the hose between outdoor fireplace and the propane tank.
- WARNING: It is required to replace the flexible tube in accordance to your local and national regulations.


GAS (LPG) WARNINGS

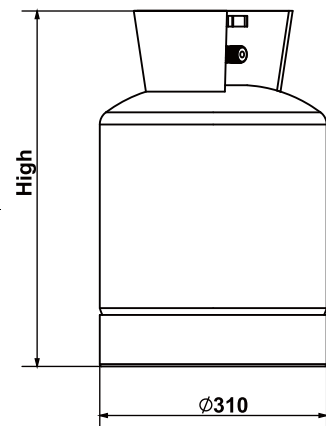
- LP gas is flammable and hazardous if handled improperly. Please review the characteristics before using any LP gas product.
Propane Characteristics:
 - Flammable, explosive under pressure, heavier than air, and settles in pools in low areas. In its natural state, propane has no odor. For your safety, an odorant is typically added. Contact with propane could burn the skin.
 - Propane is extremely flammable and hazardous if handled improperly.
- Cylinders must be stored outdoors in a well-ventilated area out of reach of children.
- Disconnected cylinders must have threaded valve plugs tightly installed and must not be in a building, garage or any other enclosed area.
- Never use a propane cylinder with a damaged body, valve, collar or footing.
- Dented or rusted propane cylinders may be hazardous and should be checked by your propane gas supplier.
- LP gas tank must be arranged for vapour withdrawal.
- The LP gas tank must have a tank collar to protect the tank valve.
- Never use an LP gas tank with a damaged body, valve, collar, or footing. Dented or rusted LP gas tanks may be hazardous and should be checked by your LP gas supplier prior to use.
- The LP gas tank should not be dropped or handled roughly.
- Tanks must be stored outdoors out of the reach of children. Do NOT store in a building, garage, or any other enclosed area.
- Never store your LP gas tank where temperatures can reach over 125°F.
- Do not store the LP gas cylinder in direct sunlight or near a source of heat or combustion.
- Never keep a filled LP gas tank in a hot car or car trunk. Heat will cause the gas pressure to increase, allowing gas to escape.
- Place dust cap on valve outlet whenever the LP gas tank is not in use. Only install the type of dust cap on the LP gas tank valve outlet that is provided with the LP gas tank valve. Other types of caps or plugs may result in leakage of propane.
- Do not store a spare LP gas cylinder under or near this appliance.
- Never fill the LP gas cylinder beyond 80% full.

DANGERS AND WARNINGS

GAS (LPG) WARNINGS, CONTINUED

- If the information in (a) and (b) is not followed exactly, a fire causing death or serious injury may occur.
- LP gas cylinders should be filled only by a certified LP gas dealer.
- The pressure regulator is indicated to comply with national regulator pressure standards.
- Regulator outlet pressure is indicated to comply with national regulator pressure standards.
- Never attempt to attach this appliance to the self-contained LP gas system of a camper trailer, motor home or house.
- Always use the pressure regulator and hose assembly provided with the appliance to connect to a LP gas cylinder. Never connect to an unregulated LP gas supply.
- Contact your retailer's customer service department for replacement parts.
- Hand turn the manual gas control valve. Never use tools. If the valve will not turn by hand, do not try to repair it. Call a certified gas technician. The use of force or any self-attempted repair may result in a fire or explosion.
- Use only the type of gas and the type of LPG cylinder specified by the manufacturer.
- Appliance is fitted with gas regulator, flexible gas rubber pipe and clamps that comply with national standards in force of the country of destination.
- Appliance must use an approved gas regulator (approved for a working temperature not lower than 50°C) according to the EN Standard (see minimum, nominal and maximum pressure - gas regulator inlet and outlet connection according to the National Rules in force) and flexible gas hose according to EN Standard (with proper inner diameter according to gas inlet connection and National Rules in force) with a length not over 2m and approved for a working temperature not lower than 60 °C. When replacement is necessary, you must purchase suitable gas regulator, flexible gas rubber pipe and clamps from your local gas dealer; gas regulator should be replaced at least every 10 years.
- Flexible gas rubber pipe must be handled carefully, avoiding any twisting. Never use a damaged gas regulator.
- Never connect this appliance to an unregulated LPG source (gas regulator must be used).
- When the appliance is not in use, turn the LPG cylinder in "OFF" position.
- Always perform a leakage test on gas connections whenever a LPG cylinder is connected. If bubbles form in flexible gas rubber pipe, it must be looked for in the LPG compartment carefully, avoiding any twisting.
- Never use a damaged gas regulator.
- Always perform a leakage test on gas connections whenever a LPG cylinder is connected. If bubbles form in the leakage test solution, do not use it. Never use a flame to test for leakages. It is strictly forbidden and dangerous!

	21 PIN NO: 0051 51DM5047	Factory/supplier: Fujian Risheng Outdoor Products Co., Ltd No. 618-2, Wanhong Road, Pannei village, Majia town, Luojiang district, Quanzhou City, Fujian	Serial No:	
	Type No.: RS-S42001			
Appliance category	I3B/P(30)	I3B/P(50)	I3+/P(28-30/37)	
Gas type/Gas Pressure	G30 Butane and G31 Propane at 30mbar	G30 Butane and G31 Propane at 50mbar	G30 Butane and G31 28-30mbar	G31 Propane at 37mbar
Heat input	15.5KW(G30:1128g/h;G31:1108g/h)			
Injector Size	1.90mm	1.70mm	1.90mm	
Destination countries	BE-CY-DK-EE-FI-FR -HU -IT-LT-NL-SE-SI -SK-RO-HR-TR-BG -IS-LU-MT	AT-CH-DE-SK	BE-CH-CY-CZ-ES-FR-GB-GR -IE -IT-LT-LU-LV-PT-SK-SI	



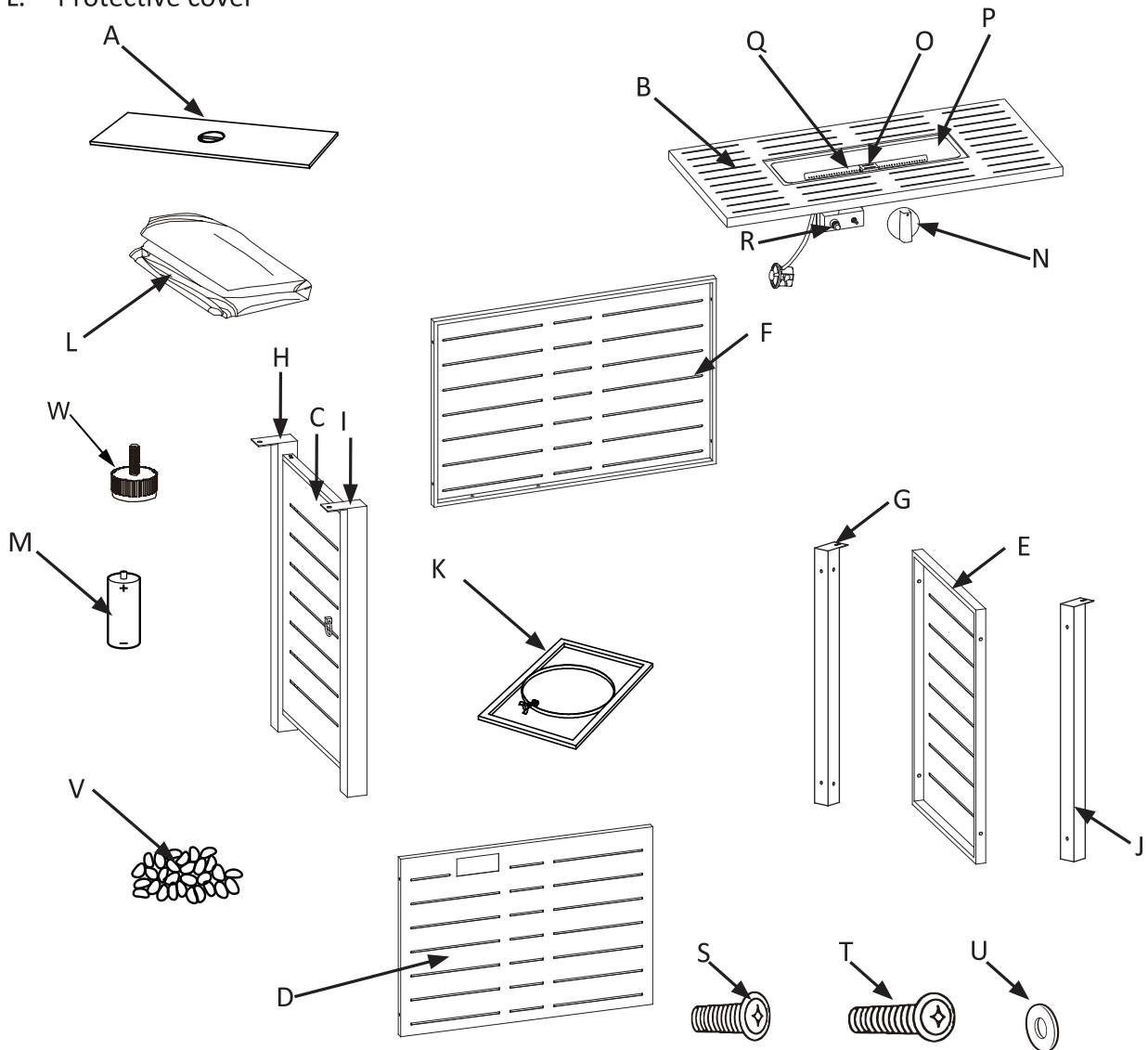
Maximum diameter or height:
 310mmX470mm(8kgs gas tank is recommended)

EXPANDED VIEW

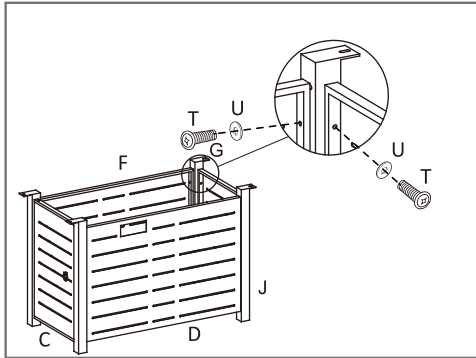
PART DESCRIPTION QTY

Main parts

- A. Table lid
- B. Table top
- C. Door
- D. Front panel
- E. Side panel
- F. Later panel
- G. Right back leg
- H. Left back leg
- I. Left front leg
- J. Right front leg
- K. Metal stand
- L. Protective cover
- M. Battery (AA)
- N. Control knob (preassembled)
- O. Frie pit glass wind guard (preassembled)
- P. Firebowl (preassembled)
- Q. Burner (preassembled)
- R. Electronic igniter (preassembled)
- S. M6 x 16 screw (x4)
- T. M6 x 25 screw (x16)
- U. Washer (x20)
- V. Lava rocks (x3kgs)
- W. Foot Pad(x4)

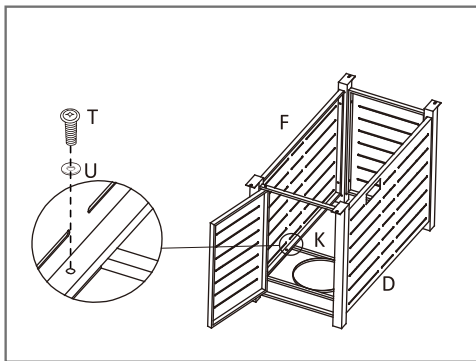


ASSEMBLY / INSTALLATION



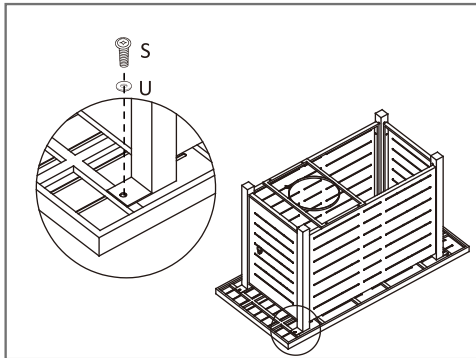
Attaching the later, front and side panels.

1. Attach the later panel (F), side (E) and front (D) to the parts (C) and legs (G, J) using 12 pcs M6 x 25 screws (T) and 12 pcs washers (U).



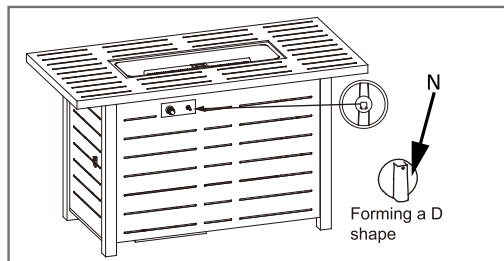
Attaching the panels

2. Attach the later panel (F) and front panel (D) to the metal stand (K) using 4 pcs M6 x 25 screws (T) and 4 pcs washers (U).



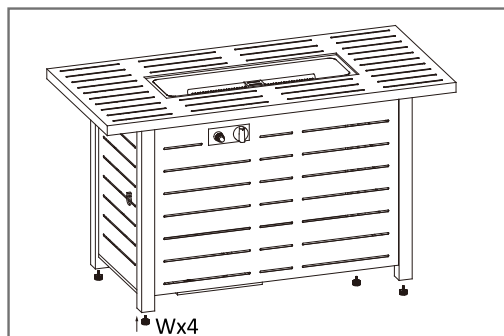
Attaching the tabletop

3. Attach table base to the bottom part of the table top (B) using 4 pcs M6 x 16 screws (S) and 4 pcs washers (U).



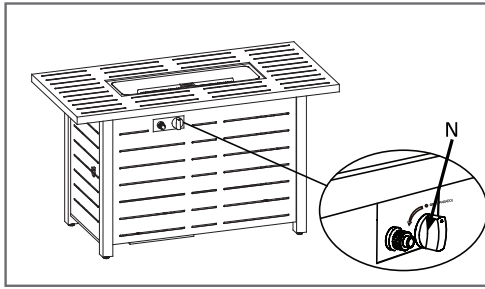
Attach the control knob

4. Place the control knob (N) on the valve stem of control panel.



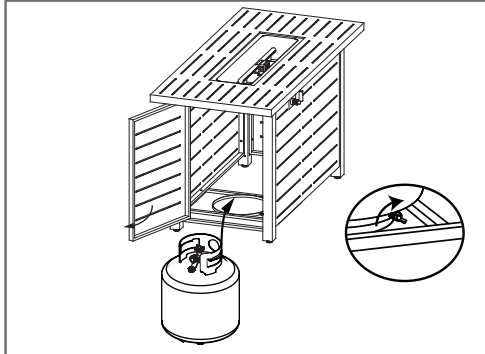
Attach the foot pads.

5. Attach the 4 pcs foot pads (W) to the legs (G, H, I, J).



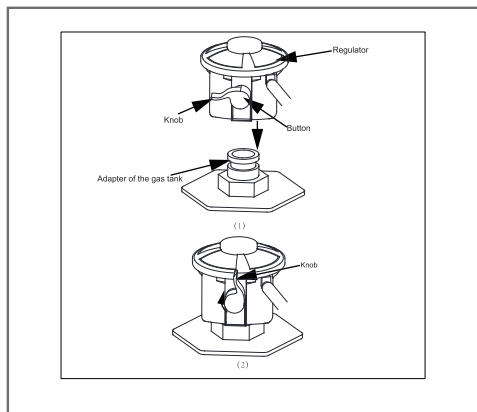
Attach the gas supply system.

6. Check that the control knob (N) for the gas supply system is turned to the "OFF" position before starting any assembly.



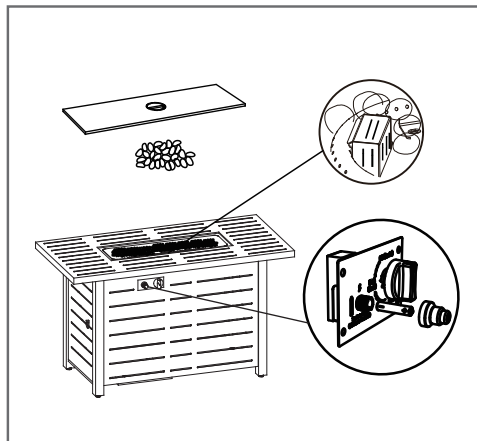
Securing the propane tank

7. Place propane gas tank (not included) into the metal stand (K). Make sure the gas tank sits on the metal stand completely. Turn the preassembled wing screw on the outer part of metal stand (K) clockwise to secure the propane gas



Attaching the regulator

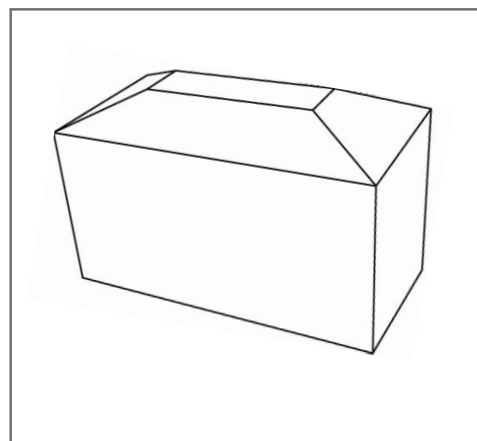
8. Turn the knob to the position shown in the figure(1). then press the regulator down in the direction shown in the figure(1) while holding down the regulator button to connect the regulator connector with the gas cylinder adapter .Release the button,pull the regulator by hand to make sure that the regulator is connected to the the adapter of gas tank.Turn the knob to the position shown in figure(2).



Attach the battery and put the glass stones.

9. Open the igniter cover and put the AA battery (M) into it, then tighten the igniter cover completely. Pour the lava rocks around the burner. Ensure lava rocks is not placed on the ignition portion of the burner.

Place the lid (A) over the fire bowl. The lid must be removed when the burner is in operation. Wait until the unit cools completely before place the lid.



Put the protective cover.

10. When the gas furnace products are not used outside, should be covered with a protective cover (L), to prevent the product for a long time under the sun and rain caused iron oxidation.

ASSEMBLY/INSTALLATION

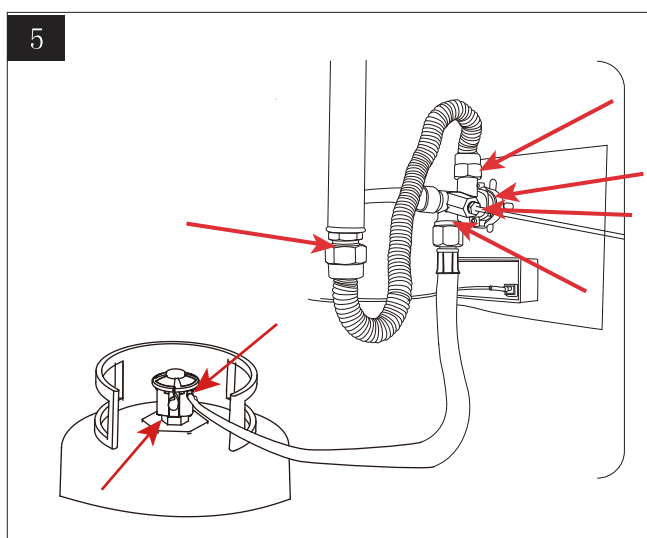
Tools required: Phillips head screwdriver, adjustable spanner, pliers and wrenches. Before assembly, make sure all protective packing material has been removed. Flexible gas hose (1763-1) and clamps (if necessary) are supplied with this appliance and must be used, according to National Rules in force. You must purchase one gas regulator and one gas cylinder. The gas regulator has to be set according to specific gas category (see page 2) and proper gas consumption (g/h) specification. The LPG cylinder should be standard (8kg is recommended). Replacement must be that specified in "Gas Requirements" section of this instruction Manual. Caution: do not kink flexible gas rubber pipe of gas circuit. If pipe holder is not provided, the gas inlet connection thread must comply with Standards ISO 7-1 or ISO 228-1, according to National Rules in force of the country of destination.

- Make sure appliance gas knob is turned "OFF" (full disk) before assembling.
- Put the LPG cylinder inside of the tank bracket, and tight the screw (see the fig 5).

9 . Leakage Testing

Never check for gas leakages with a flame or while smoking. This appliance needs to be periodically checked for leakages and an immediate check is required if the smell of gas is detected.

- Make a soap solution using 1 part of liquid dish-washing soap to 3 parts water. The soap solution can be applied with a soap bottle, brush, or rag to the leakage tested
- The valve of the LPG cylinder should be in the "OFF" position at this point of the leakage test. Once the soapy solution is applied to the gas connections, the valve of the LPG cylinder needs to be turned to the "ON" position.
- Soap bubbles will begin to form in the soapy solution if any leakage is present.
- In the event of gas leakage, the appliance shall not be used or if alight, the gas supply shall be shut-off and the appliance shall be investigated and rectified before it is used again. Tighten any leaking fittings, then turn on gas supply and recheck.
- If necessary, substitute gasket (according to EN 549 Class B2) or material used to guarantee tightness (according to EN 751-1 Class I).



OPERATING INSTRUCTIONS

To Light

1. Turn the cylinder valve on the gas tank counterclockwise to open the gas supply.
2. Close the storing door on the body for the gas tank (see step 4 listed on page 6).
3. Press and hold the electric igniter.
4. Push and turn the control knob counterclockwise to the "LOW" position.
5. Keep pushing the control knob to light the burner.
6. After ignition, release the electric igniter.
7. Continue to push and hold the control knob for 45 seconds.
8. If ignition does NOT immediately take place in seconds, push and turn the control knob clockwise to "OFF". Wait 5 minutes, then repeat the lighting procedure as above.

Note: Flame should be yellow/blue color.

To Extinguish

1. Push and turn the control knob clockwise to the "OFF" position.
2. Turn the cylinder valve on the gas tank to close the gas supply if not in use for a long time.

MAINTENANCE/CLEANING

To enjoy years of outstanding performance from your appliance, perform these services at regular intervals:

- The appliance should be inspected before at least one time a year by a Qualified service only. More frequent cleaning may be required according to the use of the appliance.
- Any guard or other protective device removed for servicing the appliance must be replaced before operating it.
- Keep exterior surfaces clean, free and clear from combustible materials.
- Use warm soapy water for cleaning. Never use flammable or corrosive cleaning agents.

MAINTENANCE/CLEANING

- While washing your unit makes sure to keep the area around the burner assembly dry at all times. If the gas control is exposed to water in any way, DO NOT try to use it. It must be replaced.
- Burner and LPG compartment circulating air passageways of the appliance must be kept clean.
- Airflow must be unobstructed. Keep controls, burner and circulation air passageways clean. Signs of possible blockage include:
 - Gas odor with extreme yellow tipping of flame / Appliance glow is excessively uneven / Appliance makes popping noises.
- Spiders and insects can nest in burner or orifices. This dangerous condition can damage the appliance and render it unsafe for use. Clean burner holes by using a heavy duty pipe cleaner. Compressed air may help clear away smaller particles.
- Carbon deposits may create a fire hazard. If any carbon deposits develop, clean dome and engine with warm soapy water.
- After the burner and lava rocks are completely cooled down, remove it from the bowl and use a soft brush to get rid of the mild stains, loose dirt and soil. Wipe with a soft cloth.
- Clean the bowl and afterward put lava rocks again in proper position.
- For proper cleaning, a vacuum cleaner can be used.

Note: In a salt-air environment (such as near the sea), corrosion occurs more quickly than normal. Frequently check the corroded areas and repair them promptly. Stubborn stains, discoloration and possibly rust pitting can occur from exposure to harsh outdoor conditions. Be careful not let any powder or solvent come in contact with painted or plastic components as damage may occur.

After long use, some discoloration can come up and it screen is normal.

Make sure both gas supplies is in OFF position before changing battery. Please refer to the process of assembling battery.

Please contact the Manufacturer or dealer for information regarding replacement hoses, thermocouples, igniters, lava rocks, etc.

Attention: Never use unauthorized parts or component for this appliance.

Use only original equipment replacement spare parts and components.

Otherwise may void the warranty of this product and result in a hazardous condition.

STORAGE (AFTER USE)

- Turn control knob in "OFF" position (full disk).
- Turn LPG cylinder in "OFF" position.
- Store the appliance in a cool dry place away from direct sunlight; store it upright in an area sheltered from direct contact with inclement weather (such as rain, sleet, hail, snow, dust and debris).
- If desired, cover to protect exterior surfaces and to prevent build up in air passages.
- **Note: Wait until appliance is cool before covering.**

During periods of extended inactivity or when transporting:

- Turn control knob in "OFF" position (full disk).
- Disconnect LPG cylinder and move to a secure, well ventilated location outdoors. DO NOT store in a location that will exceed 50 °C.
- Store appliance upright in an area sheltered from direct contact with inclement weather (such as rain, sleet, hail, snow, dust and debris).
- If desired, cover appliance to protect exterior surfaces and to prevent build up in air passages.
- **Note: Wait until appliance is cool before covering.**

TROUBLESHOOTING

PROBLEM:	CONDITION:	SOLUTION SUGGESTED:
Burner won't light	<i>Control knob is not in Low position(low flame)</i>	<i>Turn control knob in Maximum position (low flame)</i>
	<i>LPG cylinder valve is closed/empty</i>	<i>Open the valve/Replace LPG cylinder with new one</i>
	<i>Blockage in the injector</i>	<i>Clean or replace injector</i>
	<i>Air in the gas circuit</i>	<i>Open gas line and bleed it (pressing control knob in) for not over 1 minute or until you smell gas</i>
	<i>Low gas pressure</i>	<i>Replace LPG cylinder with new one</i>
	<i>Igniter fails</i>	<i>Use match to light burner, change battery or obtain new; ignite and replace it</i>
Burner won't stay lit	<i>Dirty build-up around burner</i>	<i>Clean dirt around burner</i>
	<i>Low flame or not full running around the burner</i>	<i>Flame spreader holes partially closed; clean the burner</i>
	<i>Thermocouple is not operating correctly</i>	<i>Replace thermocouple (FSD)</i>
	<i>Low gas pressure</i>	<i>Replace LPG cylinder with new one</i>
Burner flame is low (note: Do not operate appliance below 5° C	<i>Outdoor temperature is greater than 5°C and LPG cylinder is less than 25% full</i>	<i>Replace LPG cylinder with new one</i>
	<i>Gas pipe is bent or kinked</i>	<i>Straighten hose and perform leakage test on gas pipe</i>
	<i>Control knob is fully in Maximum position (large flame)</i>	<i>Turn control knob to "OFF" position (full disk), let cool to room temperature and check burner and orifices for blockage</i>
Carbon build-up	<i>Dirty or film on burner</i>	<i>Clean burner</i>
Flash back(flame inside burner)	<i>Burner ports are blocked</i>	<i>Switch OFF the appliance. Close LPG cylinder valve. Wait 2 minutes,, following the ignition procedure. Ignite burner. If problem continues, switch off and contact your dealer</i>
Thick black smoke	<i>Blockage in the burner</i>	<i>Turn control knob to "OFF" position (full disk), let cool to room temperature, remove blockage and clean burner inside and outside</i>

If you can not solve trouble according to one of the mentioned solution, please call the **0595-28808989** or contact your dealer or Distributor Responsible.

Fujian Risheng Outdoor Products Co., Ltd
No. 618-2, Wanhong Road, Pannei village, Majia town, Luojiang district, Quanzhou City, Fujian



WARNING:

CHOKING HAZARD-Small parts.

Not for children under 3 years.



MISE EN GARDE:

RISQUE DE SUFFOCATION -

Petites pièces. Ne convient pas aux enfants de moins de 3 ans.



ADVERTENCIA:

PELIGRO DE ASFIXIA - Piezas pequeñas.

No apto para niños menores de 3 años.

Battery

a.Size of battery/type/designation: AA

b.Nominal Voltage:1.5v

c.Number of batteries required:1PC

d.Batteries included or not: Yes

Batería

a.Tamaño de la batería/tipo/designación: AA

b.Voltaje nominal: 1.5v

c.Número de baterías que requirió: 1PC

d.Baterías incluidas o no: Sí

Pile

a.Format/type/désignation de la pile: AA

b.Tension nominale : 1.5v

c.Nombre de piles exigé: 1

d.Pile comprise ou non : Oui

Non-rechargeable batteries are not to be recharged. Batteries are to be inserted with the correct polarity. Exhausted batteries are to be removed from the product.

Do not dispose of the batteries in fire. Batteries may explode or leak.

Il ne faut pas recharger les piles non rechargeables. On doit insérer les piles avec la bonne polarité. Les piles épuisées doivent être retirées du produit.

Ne jetez pas les piles au feu. Les piles peuvent exploser ou couler.

No se deben cargar pilas no recargables. Se debe insertar las pilas con la polaridad correcta. Las pilas gastadas deben retirarse del producto.

No tire las pilas al fuego. Las pilas pueden explotar o tener pérdidas.

Export information

Exporting country	Product range	Importer information
Britain	All products	Importer: MH STAR UK LTD Address: Unit 27, Perivale Park, Horsenden lane South Perivale, UB6 7RH
France	All products	Importé par : MH France 2, rue Maurice Hartmann 92130 Issy-les-Moulineaux France Fabriqué en Chine
Germany	All products	Importeur: MH Handel GmbH Wendenstraße 309 D-20537 Hamburg Germany
Italy	All products	IMPORTATO DA: AOSOM Italy srl Centro Direzionale Milanofiori Strada 1 Palazzo F1 20057 Assago (MI) P.I.: 08567220960
Spain	All products	Importador: Spanish Aosom, S.L. C/ Roc Gros, nº 15. 08550, Els Hostalets de Balenyà, Spain. B66295775 www.aosom.es atencioncliente@aosom.es TEL: 931294512
America	Children's products	Model no. 370-260V80WT Imported by Aosom LLC 27150 SW Kinsman Rd Wilsonville, OR 97070 USA Manufactured in Ningbo City, Zhejiang Province, China Production date: January 2023 PO no. 23R0090 MADE IN CHINA
	All products	Imported by Aosom LLC 27150 SW Kinsman Rd Wilsonville, OR 97070 USA
Canada	Children's products	Model No. 370-260V80WT Imported by Aosom Canada Inc. 7270 Woodbine Avenue, Unit 307, Markham, Ontario Canada L3R 4B9 Manufactured in Ningbo City, Zhejiang Province, China Production date: January 2023 PO no. 23R0090 MADE IN CHINA Modèle numéro 370-260V80WT Importé par Aosom Canada Inc. 7270 Woodbine Avenue, unité 307, Markham, Ontario Canada L3R 4B9 Fabrique dans la ville de Ningbo, Province de Zhejiang, Chine Date de fabrication: Janvier 2023 Numéro de bon de commande 23R0090 Fabriqué en Chine
	All products	Imported by Aosom Canada Inc. 7270 Woodbine Avenue, Unit 307, Markham, Ontario Canada L3R 4B9 Importé par Aosom Canada Inc. 7270 Woodbine Avenue, unité 307, Markham, Ontario Canada L3R 4B9

US

Imported by Aosom LLC
27150 SW Kinsman Rd Wilsonville, OR 97070 USA
MADE IN CHINA

CA

Imported by Aosom Canada Inc.
7270 Woodbine Avenue, Unit 307, Markham, Ontario Canada
L3R 4B9
MADE IN CHINA

Importé par Aosom Canada Inc.
7270 Woodbine Avenue, unité 307, Markham, Ontario Canada
L3R 4B9
Fabriqué en Chine

UK

IMPORTER ADDRESS:
MH STAR UK LTD
Unit 27, Perivale Park,
Horsenden lane South
Perivale, UB6 7RH
MADE IN CHINA

FR

ADRESSE D'IMPORTATION:
MH FRANCE
2 Rue Maurice Hartmann
92130 Issy Les Molineaux
France
FABRIQUÉ EN CHINE



Adresses sur quefairedemesdechets.fr

ES

IMPORTADOR:
SPANISH AOSOM, S.L.
C/ROC GROS, Nº15.08550, ELS HOSTALET DE BALENYÀ, SPAIN.
B66295775
WWW.AOSOM.ES
ATENCIONCLIENTE@AOSOM.ES
TEL: 931294512
HECHO EN CHINA

PT

SPANISH AOSOM, S.L
C.ROC GROS N.15, 08550. ELS HOSTALET DE BALENYÀ
TEL: 931294512 (SEG-SEX DAS 7:30H ÀS 16:30H)
INFO@AOSOM.PT
WWW.AOSOM.PT

DE

ADRESSE DES IMPORTEURS:
MH Handel GmbH
Wendenstraße 309
D-20537 Hamburg
Germany
IN CHINA HERGESTELLT

IT

IMPORTATO DA:
AOSOM Italy srl
Centro Direzionale Milanofiori
Strada 1 Palazzo F1
20057 Assago (MI)
P.I.: 08567220960
FATTO IN CINA