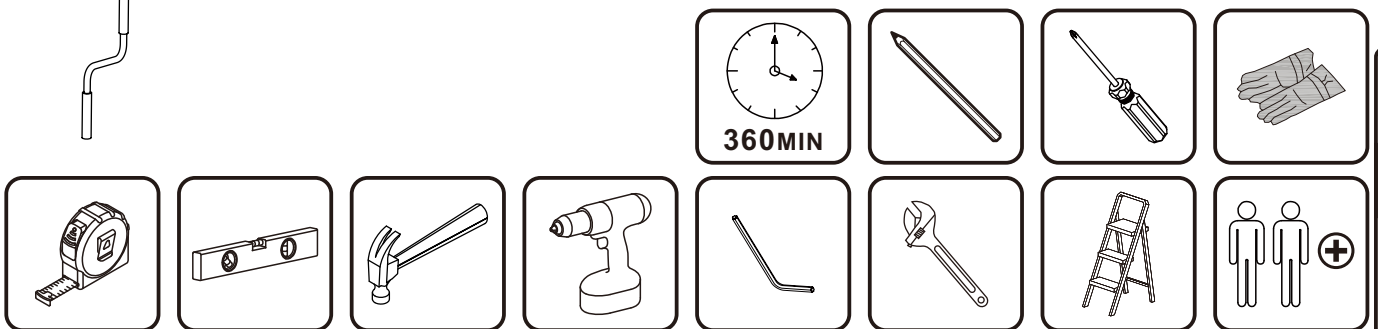
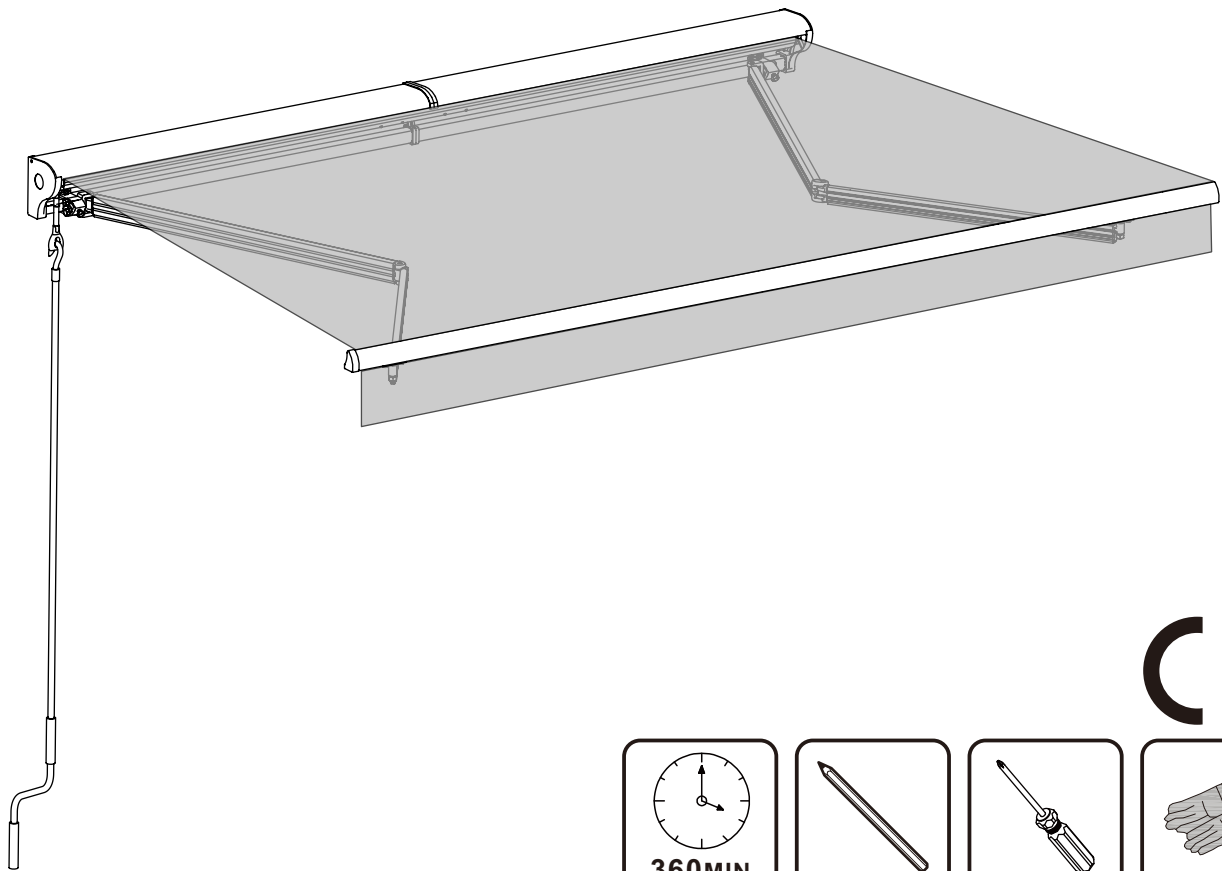




IN231100583V01_DE

840-256V94



Tools Recommended

EN_IMPORTANT, RETAIN FOR FUTURE REFERENCE: READ CAREFULLY.

FR_IMPORTANT: A LIRE ATTENTIVEMENT ET À CONSERVER POUR CONSULTATION ULTÉRIEURE.

ES_IMPORTANTE, LEA Y GUARDE PARA FUTURAS REFERENCIAS.

PT_IMPORTANTE, RETER PARA REFERÊNCIA FUTURA: LEIA ATENTAMENTE.

DE_WICHTIG! SORGFÄLTIG LESEN UND FÜR SPÄTER NACHSCHLAGEN AUFBEWAHREN.

IT_IMPORTANTE! CONSERVARE IL PRESENTE MANUALE PER FUTURO RIFERIMENTO E LEGGERLO ATTENTAMENTE.

Maintenance recommendations

●Metal: Wash with mild soapy water and rinse with clean water.
Dry with a lint free cloth. Avoid using detergents and acidic products.

●Fabric: Dry cleaning.

●Plastic: Dust regularly with a clean, soft, and dry cloth.
Avoid using any corrosive products.

Required tools: screwdriver, hammer, drill bit, wrench (roller, inner hexagon)

Important reminder: Before starting to assemble furniture, make sure to receive all the parts.

Precautions for use:

1. Keep children and pets away from assembly points.
2. For your safety, do not assemble alone. For safety reasons, we recommend two people to assemble.
3. Some parts may have sharp edges. During the assembly process, if necessary, please wear protective gloves.
4. Basic precautions should be taken when assembling and using this product to limit the risk of injury and property damage.

Please read

5. For outdoor use only. This product should not be used in situations where the wind force is greater than level 5 (29-38km/h).

This product is only used to generate shadows and cannot withstand harsh weather.

6. Turn off the product in adverse weather, moderate to strong winds, heavy rain, or heavy snow. Do not use this product in cold weather as it may Damage or affect its performance.

7. Check all nuts to ensure they are securely tightened before and during use.

8. The warranty does not include damage caused by adverse weather conditions.

9. Do not light candles, matches, or open flames below or near the product.

10. Warning: Do not place any flames or heat sources near the tent fabric.

11. For safety reasons related to internal temperature, the engine can run continuously for 3 minutes.

If the engine starts for more than 3 minutes, it will stop working.

Please wait for 15 minutes for the engine to be used again.

To provide you with information, the internal temperature of the engine will return to the initial temperature after 5 hours.

12. Warning: When cleaning, maintaining, and replacing parts, the product plug should be unplugged.

13. Warning: Important safety instructions. Following these instructions is important for people's safety. Follow these instructions.

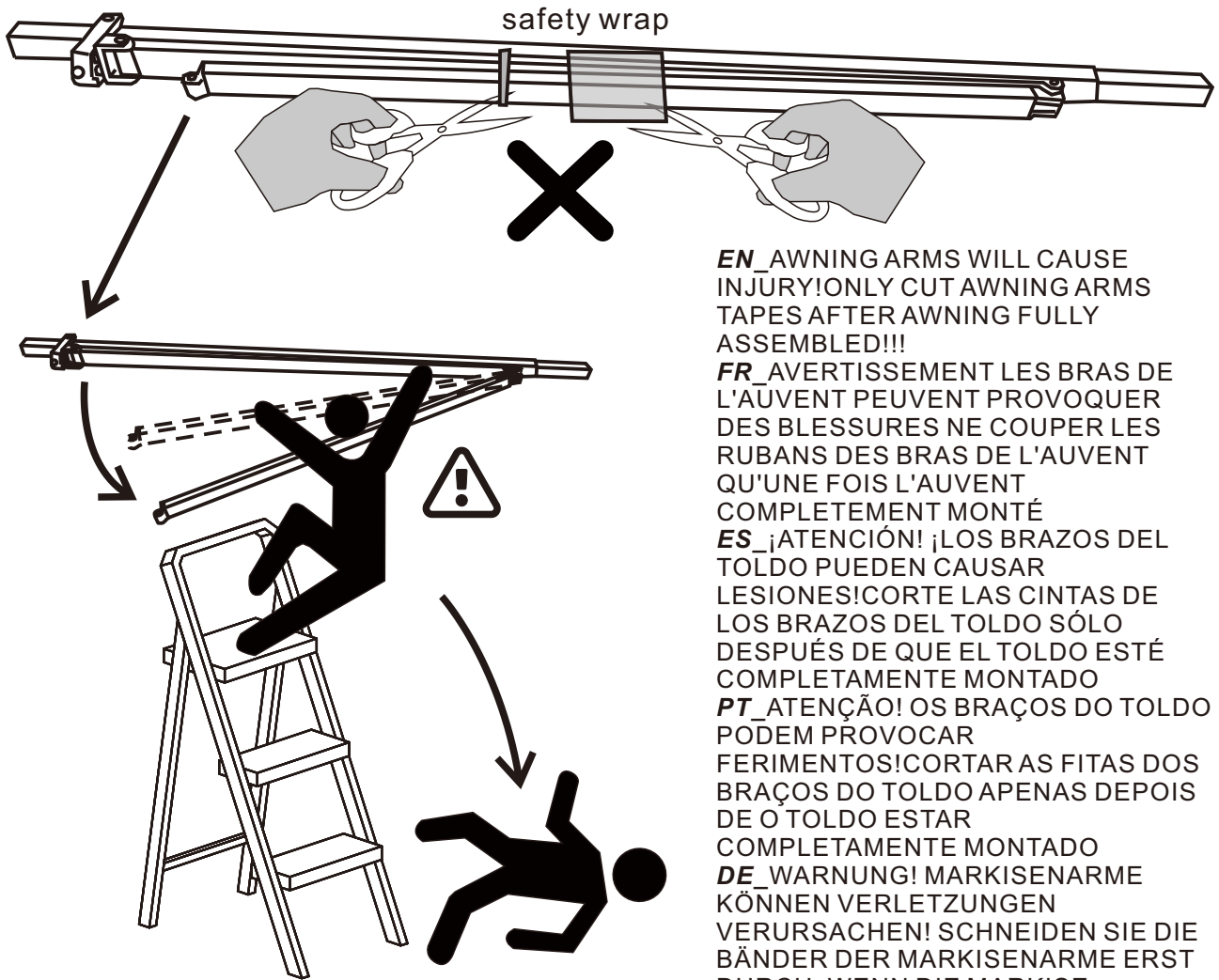
14. Warning: Important safety instructions. Please follow all instructions as improper installation may cause serious injury.

Assembly instructions:

Our clear assembly instructions will guide you step by step from the beginning to the end of the assembly project. In this way, you will receive high-quality products.

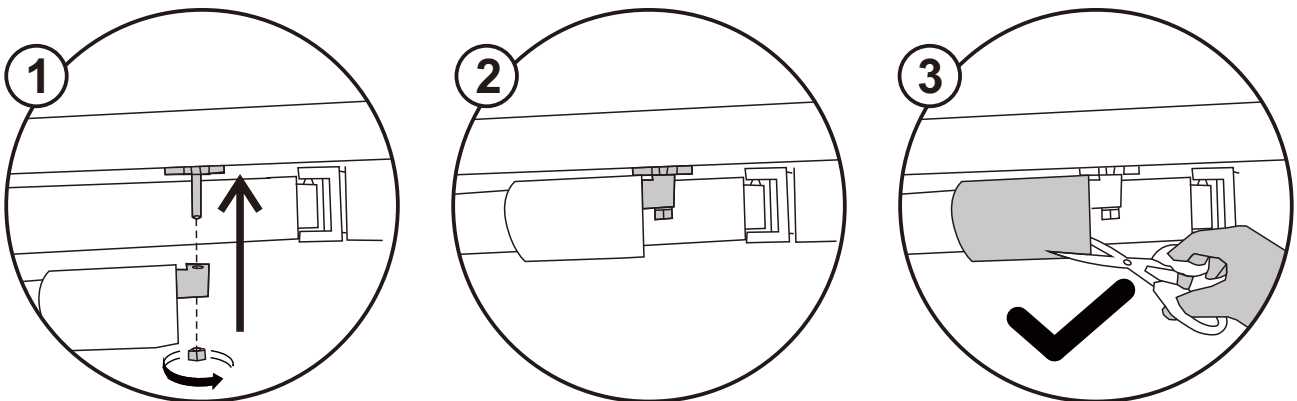
Easy to assemble, it will bring you years of satisfaction.

You only need one screwdriver, one wrench (M8, M10, M12), one hammer, and two (not included).

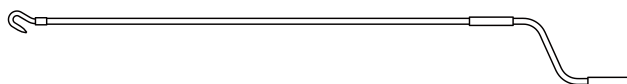


EN_AWNING ARMS WILL CAUSE INJURY! ONLY CUT AWNING ARMS TAPES AFTER AWNING FULLY ASSEMBLED!!!
FR_AVERTISSEMENT LES BRAS DE L'AUVENT PEUVENT PROVOQUER DES BLESSURES NE COUPER LES RUBANS DES BRAS DE L'AUVENT QU'UNE FOIS L'AUVENT COMPLETEMENT MONTÉ
ES_¡ATENCIÓN! ¡LOS BRAZOS DEL TOLDO PUEDEN CAUSAR LESIONES! CORTE LAS CINTAS DE LOS BRAZOS DEL TOLDO SÓLO DESPUÉS DE QUE EL TOLDO ESTÉ COMPLETAMENTE MONTADO
PT_ATENÇÃO! OS BRAÇOS DO TOLDO PODEM PROVOCAR FERIMENTOS! CORTAR AS FITAS DOS BRAÇOS DO TOLDO APENAS DEPOIS DE O TOLDO ESTAR COMPLETAMENTE MONTADO
DE_WARNING! MARKISENARME KÖNNEN VERLETZUNGEN VERURSACHEN! SCHNEIDEN SIE DIE BÄNDER DER MARKISENARME ERST DURCH, WENN DIE MARKISE VOLLSTÄNDIG MONTIERT IST!!!

IT_AVVERTENZA! I BRACCI DELLA TENDA POSSONO CAUSARE LESIONI! TAGLIARE I NASTRI DI BLOCCAGGIO DEI BRACCI DELLA TENDA SOLO DOPO AVER MONTATO COMPLETAMENTE LA TENDA!!!



EN_WARNING: WILL CAUSE INJURY! ONLY CUT AFTER FULLY ASSEMBLED
FR_AVERTISSEMENT CAUSE DES BLESSURES ! NE COUPER QU'UNE FOIS L'AUVENT ENTIÈREMENT MONTÉ
ES_AVISO ¡PUEDE CAUSAR LESIONES! SÓLO CORTE DESPUÉS DE COMPLETAMENTE MONTADO
PT_AVISO PODE CAUSAR FERIMENTOS! CORTAR APENAS DEPOIS DE COMPLETAMENTE MONTADO
DE_WARNING KANN ZU VERLETZUNGEN FÜHREN! ERST NACH VOLLSTÄNDIGER MONTAGE DURCHSCHNEIDEN
IT_AVVERTENZA CAUSERÀ LESIONI! TAGLIARE SOLO DOPO AVER ASSEMBLATO COMPLETAMENTE



A x 1



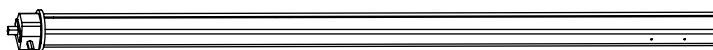
B x 1



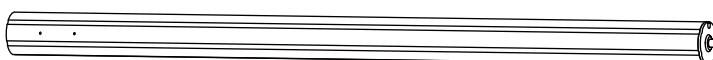
C x 1



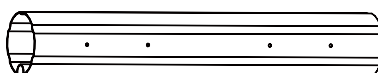
D x 1



E x 1



F x 1



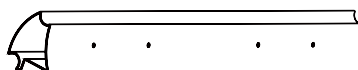
G x 1



H x 1



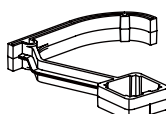
I x 1



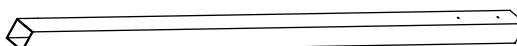
J x 1



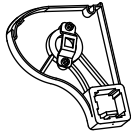
K x 2



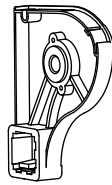
M x 1



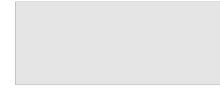
N x 2



AA x 1



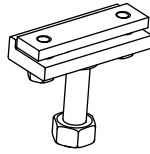
BB x 1



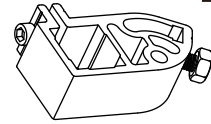
CC x 1



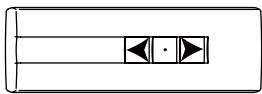
DD x 1



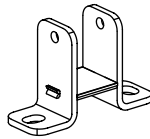
EE x 2



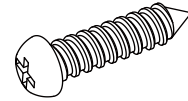
FF x 2



GG x 1



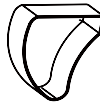
HH x 3



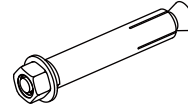
1 x 20
M4*16
+1 (spare)



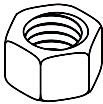
2 x 1



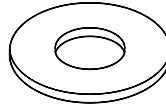
3 x 1



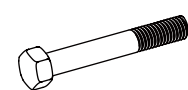
4 x 6



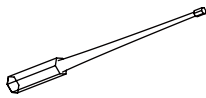
5 x 3



6 x 3



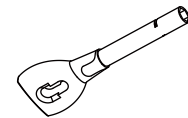
7 x 3
M8*55



8 x 1



9 x 1



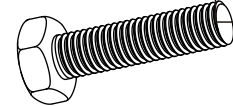
10 x 1



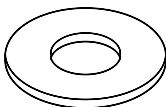
11 x 1



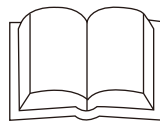
12 x 2



13 x 4
M10*40

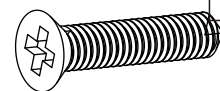


14 x 4

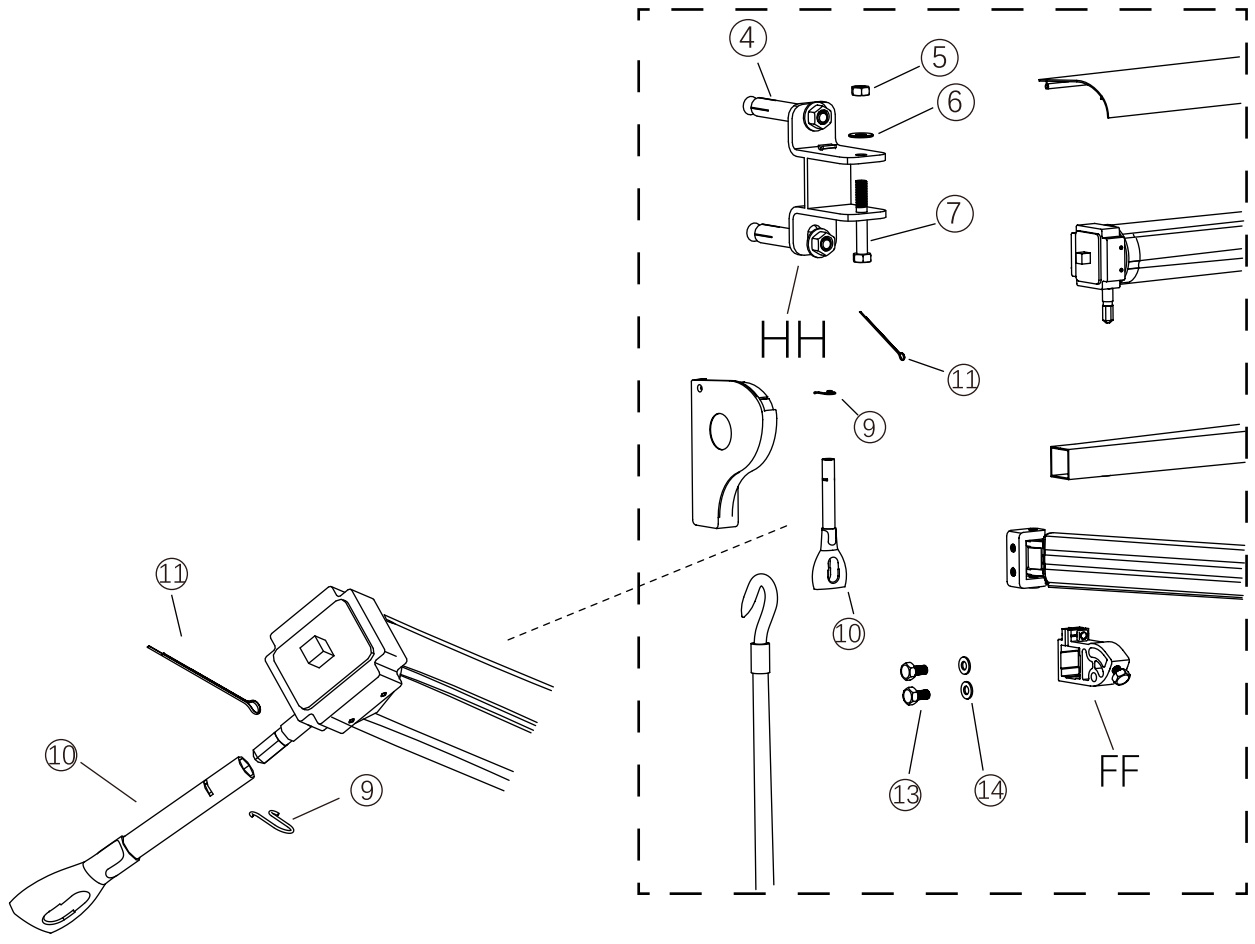
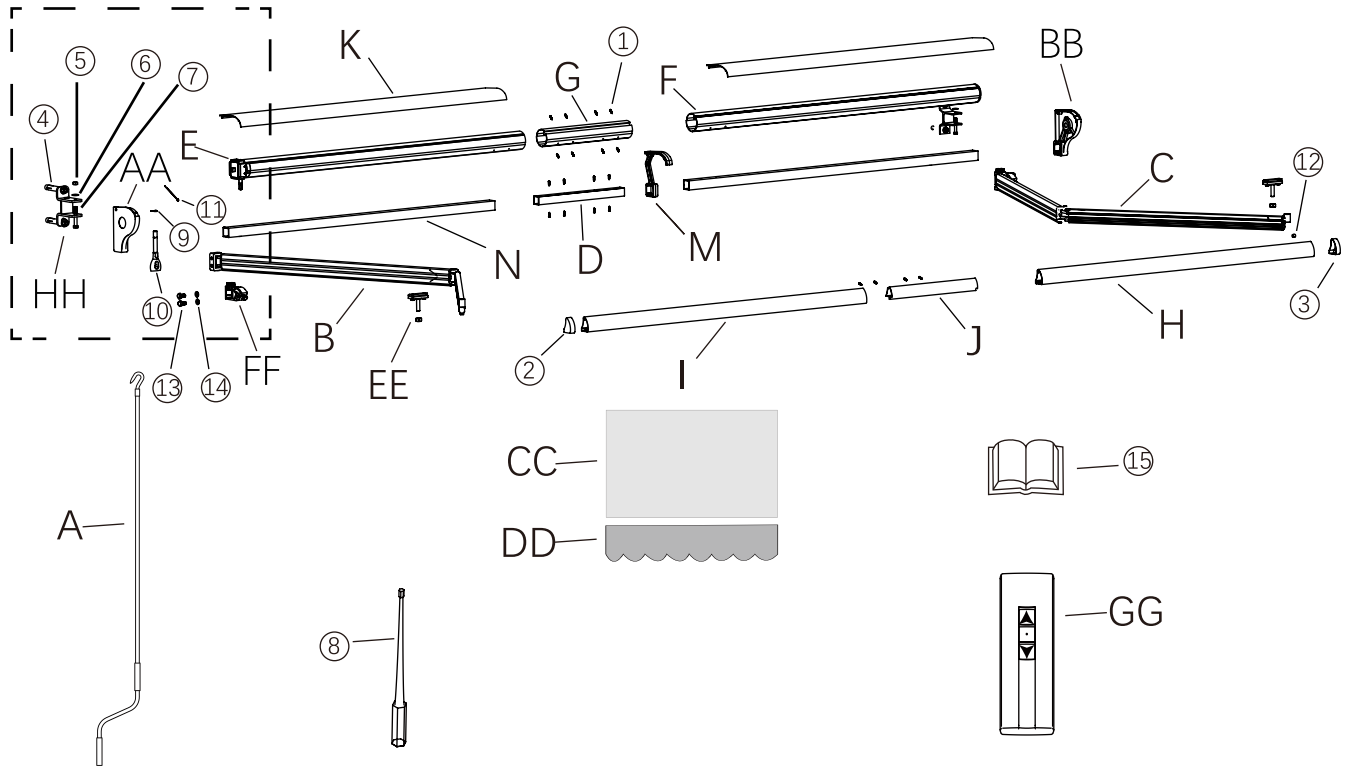


15 x 1

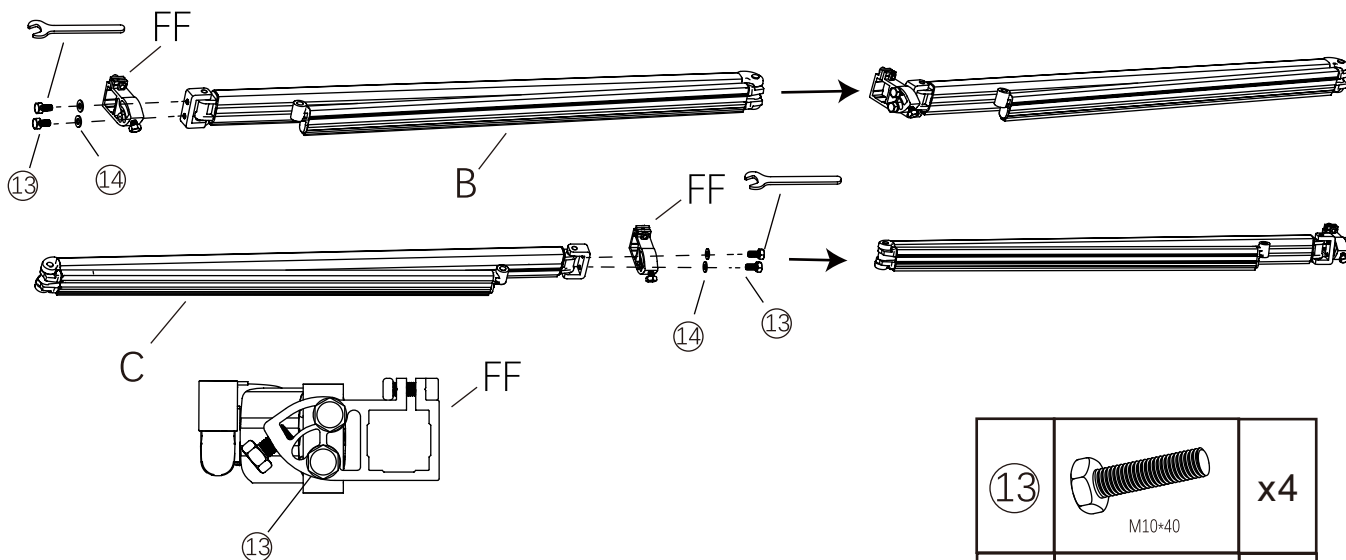
Instructions

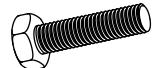



16 x 2
M4*16

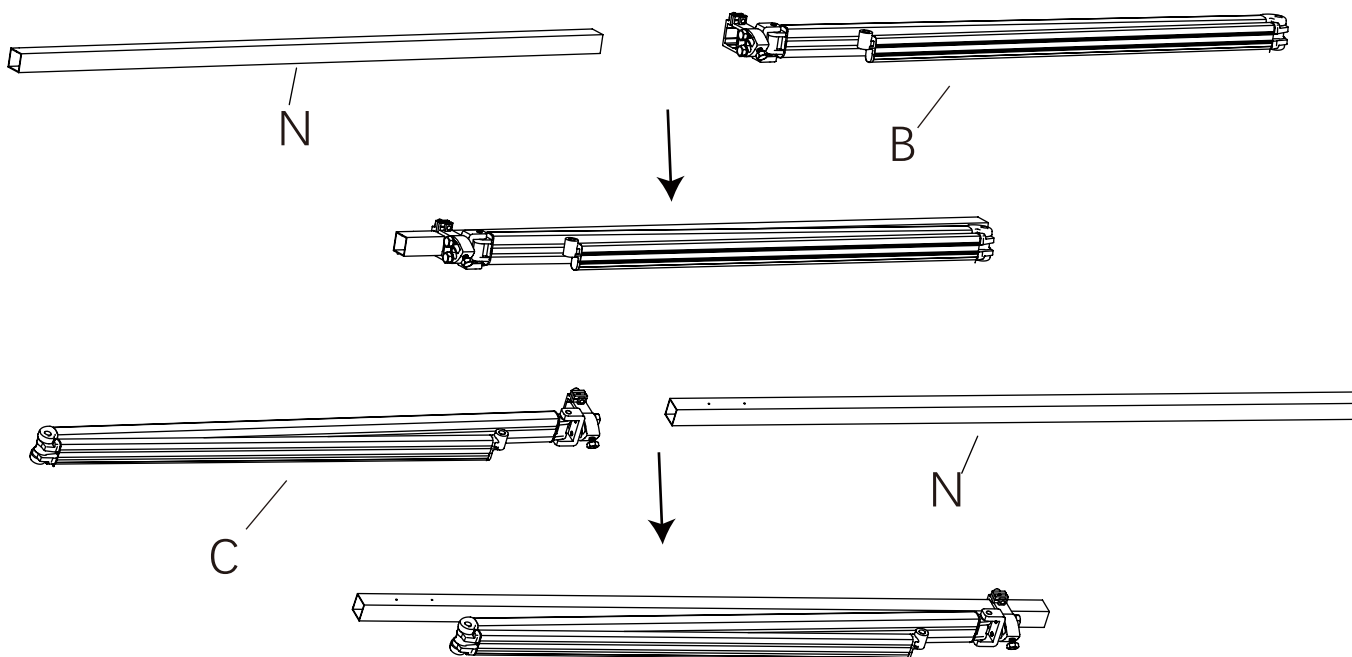


Connect arm support and arms.

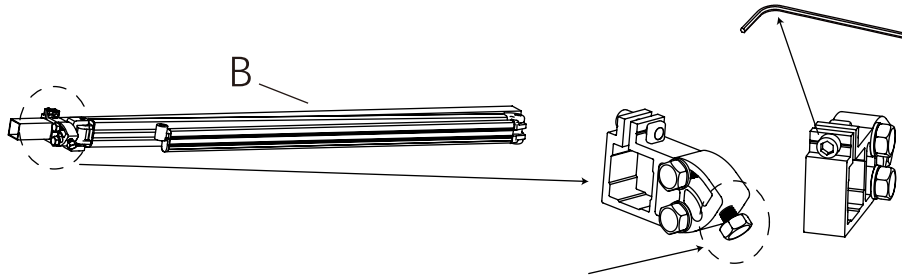


13	 M10x40	x4
14	 Φ10.5	x4

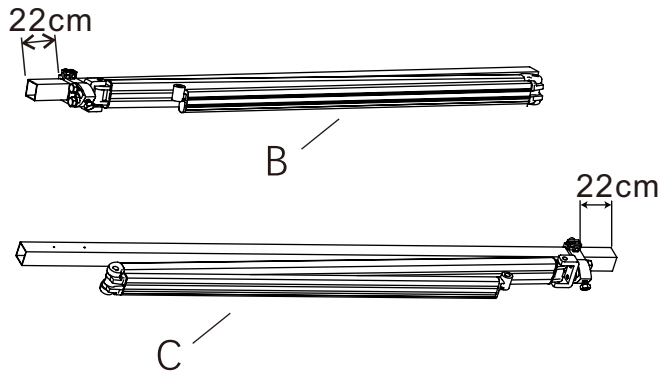
Connect arms and square bar.



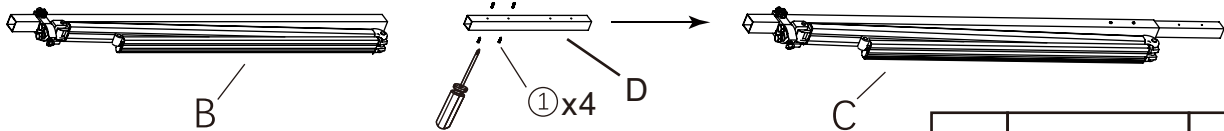
Fix the arm.

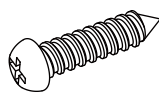


The angle of the awning can be adjusted using this screw.

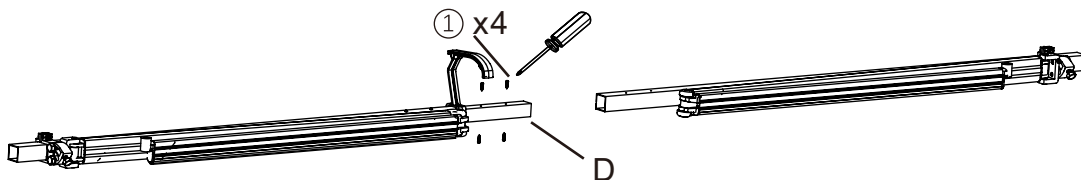


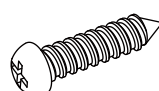
Connect the left arm and square bar connector.



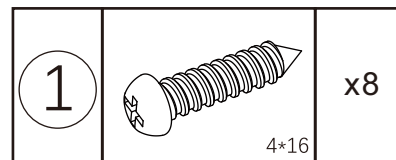
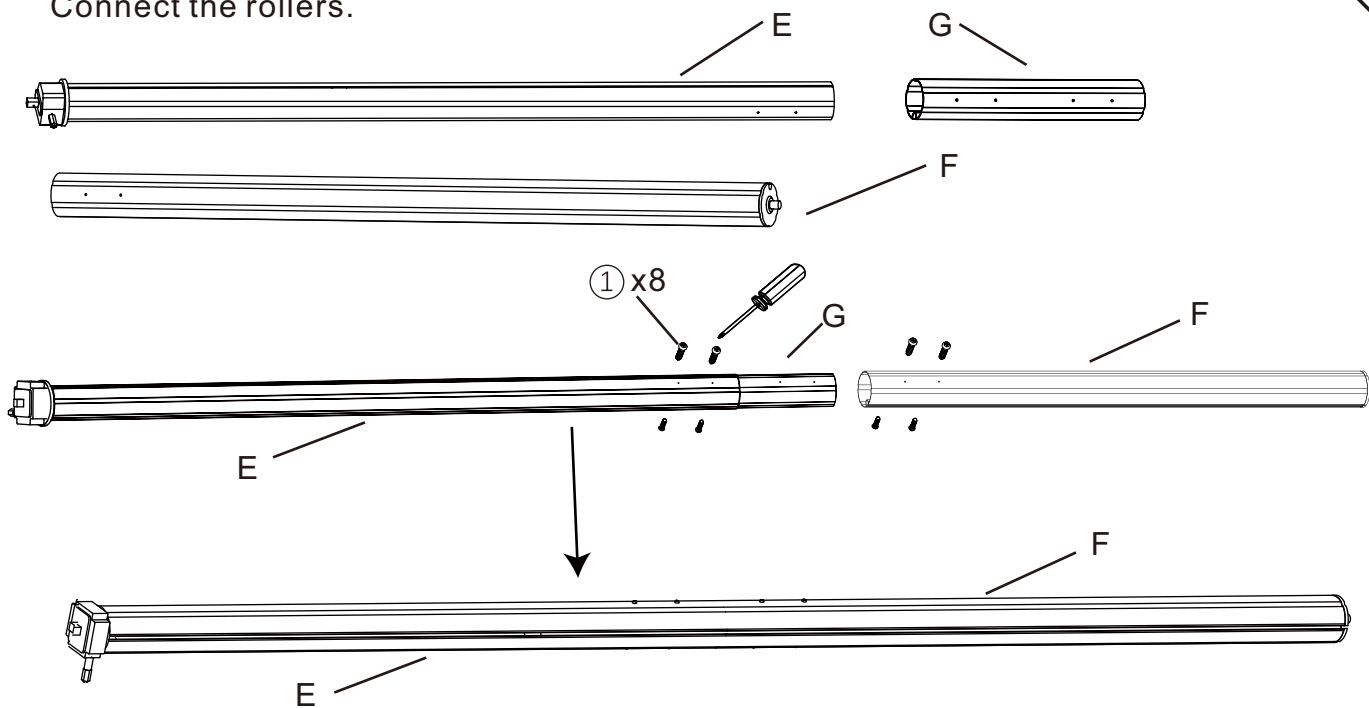
1		x4
	4*16	

Connect the square bar,

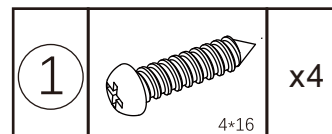
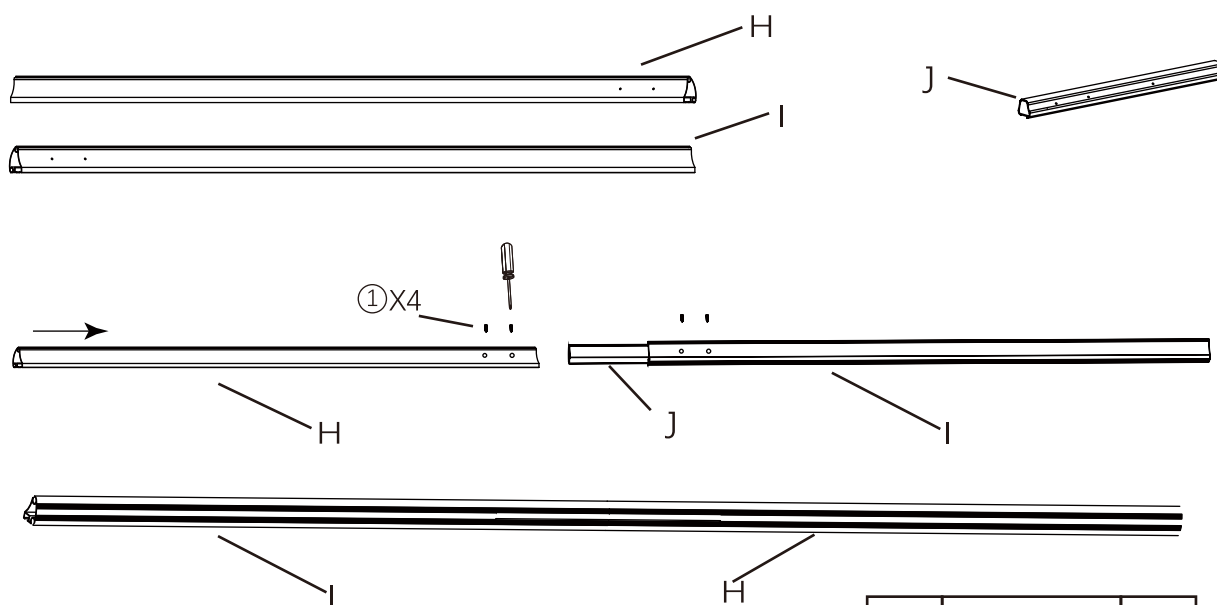


1		x4
	4*16	

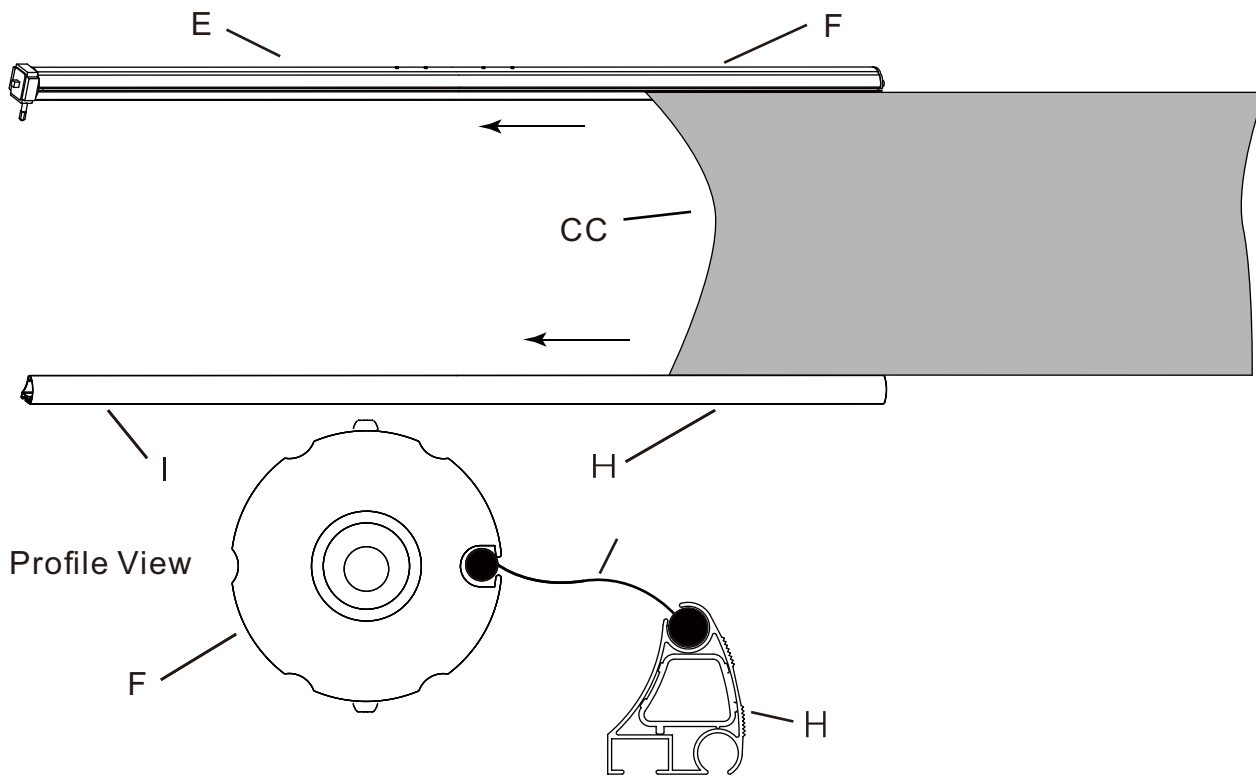
Connect the rollers.



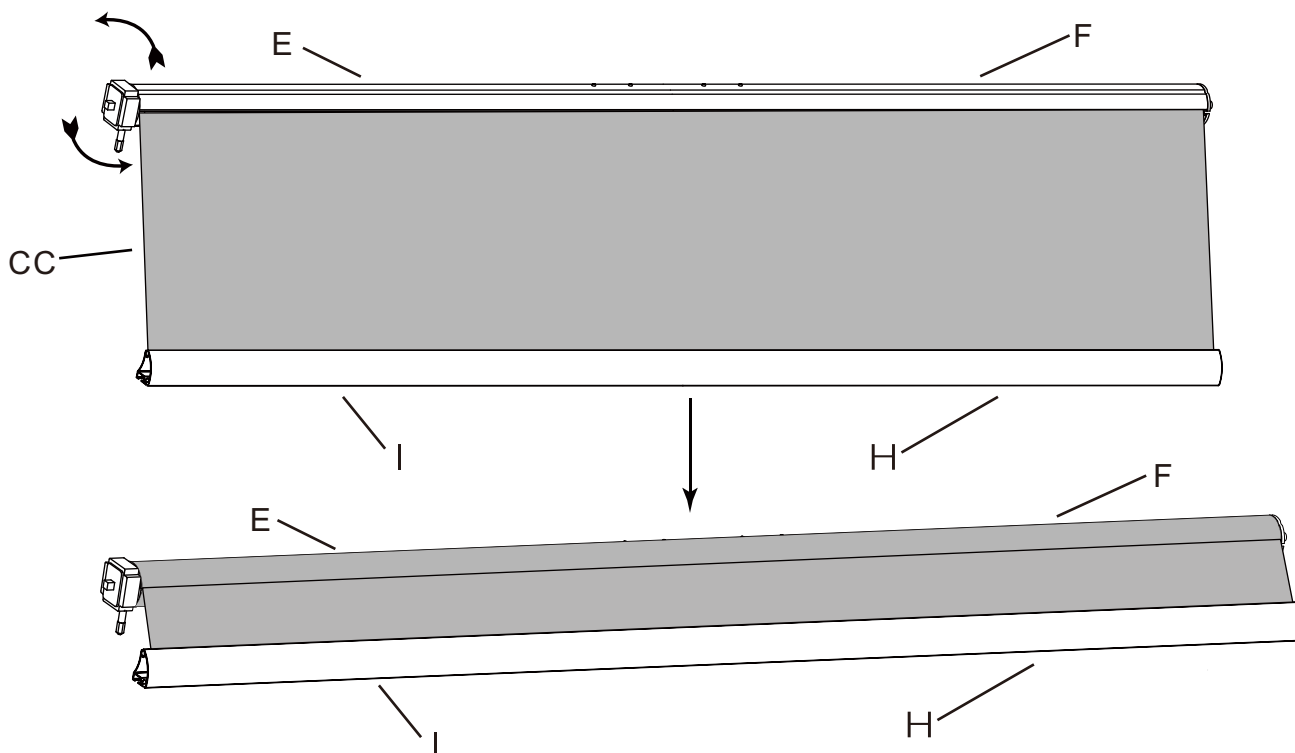
Connect the front bars.



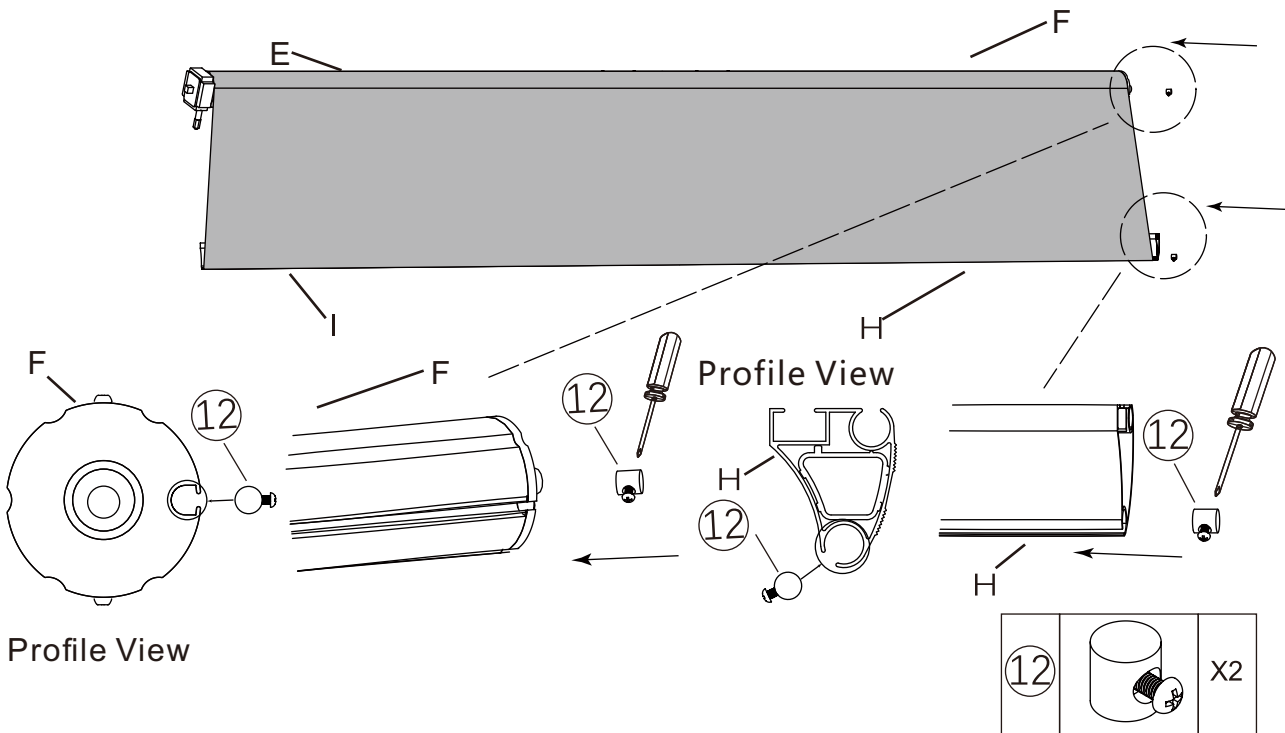
Insert the fabric into the roller and front bar as shown in the figure.



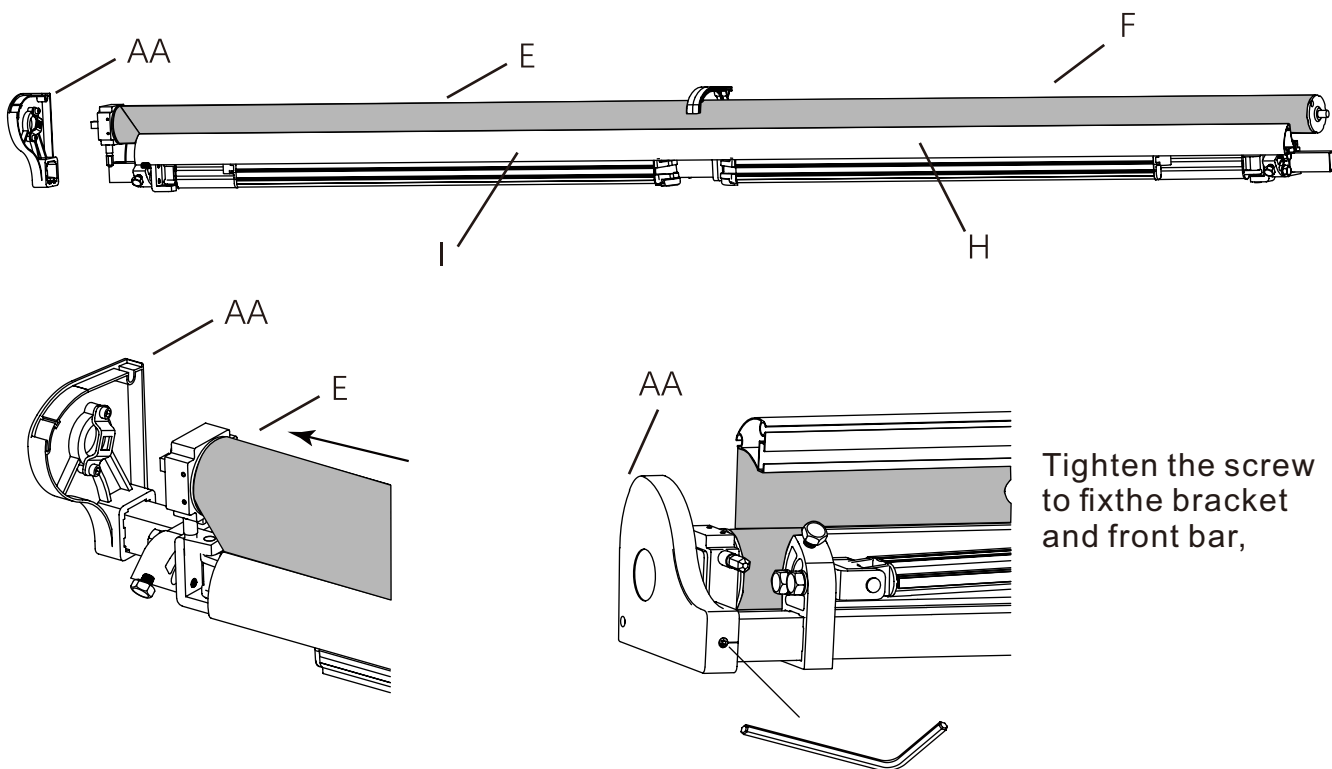
Roll up the fabric



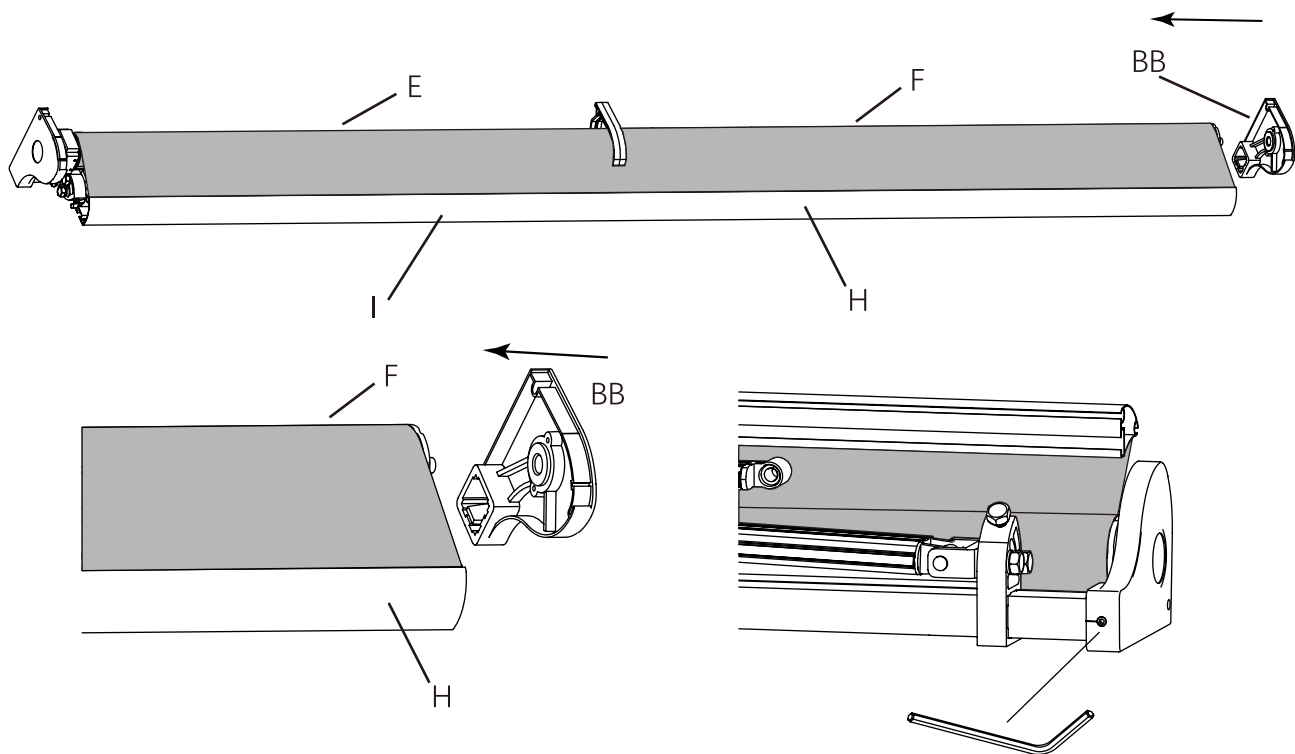
Installate the fabric fixer.



Installate the left bracket.

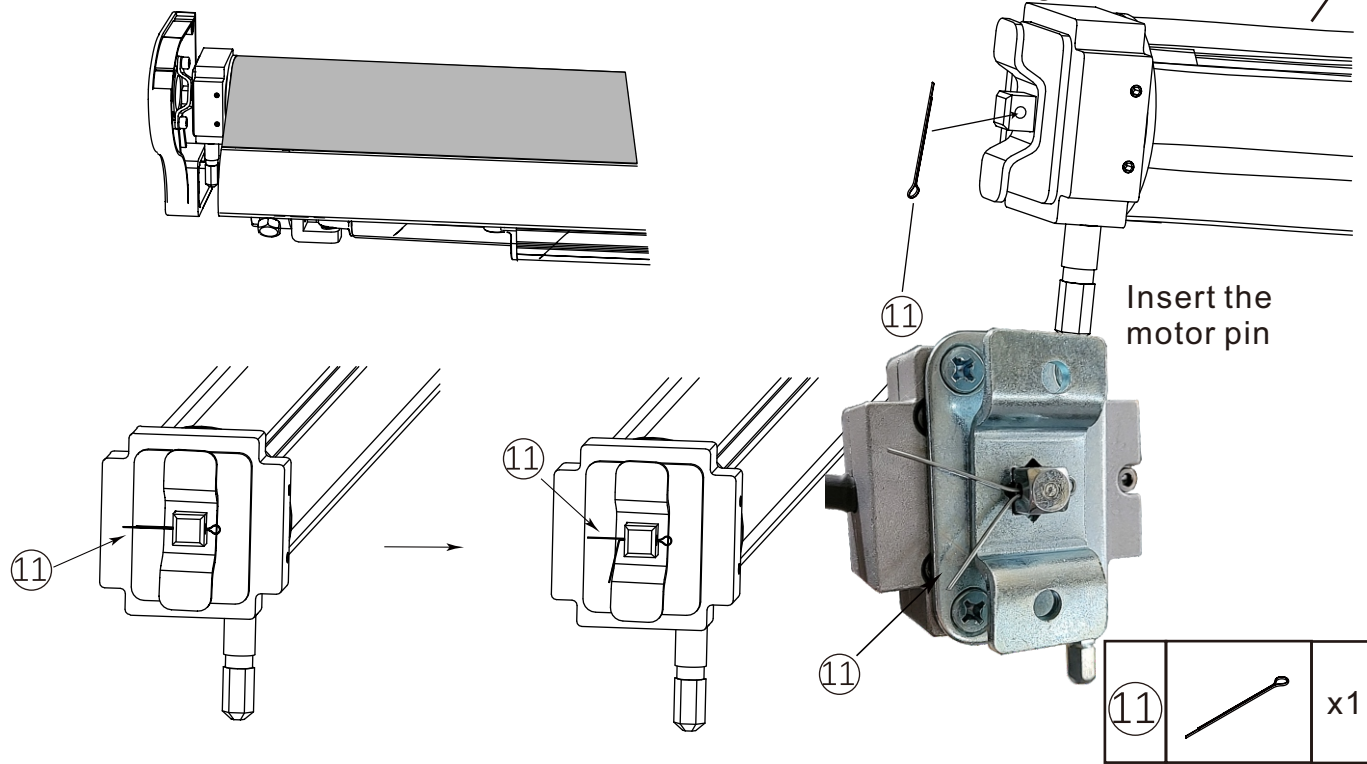


Installate the right bracket.



Fix the motor with the motor pin

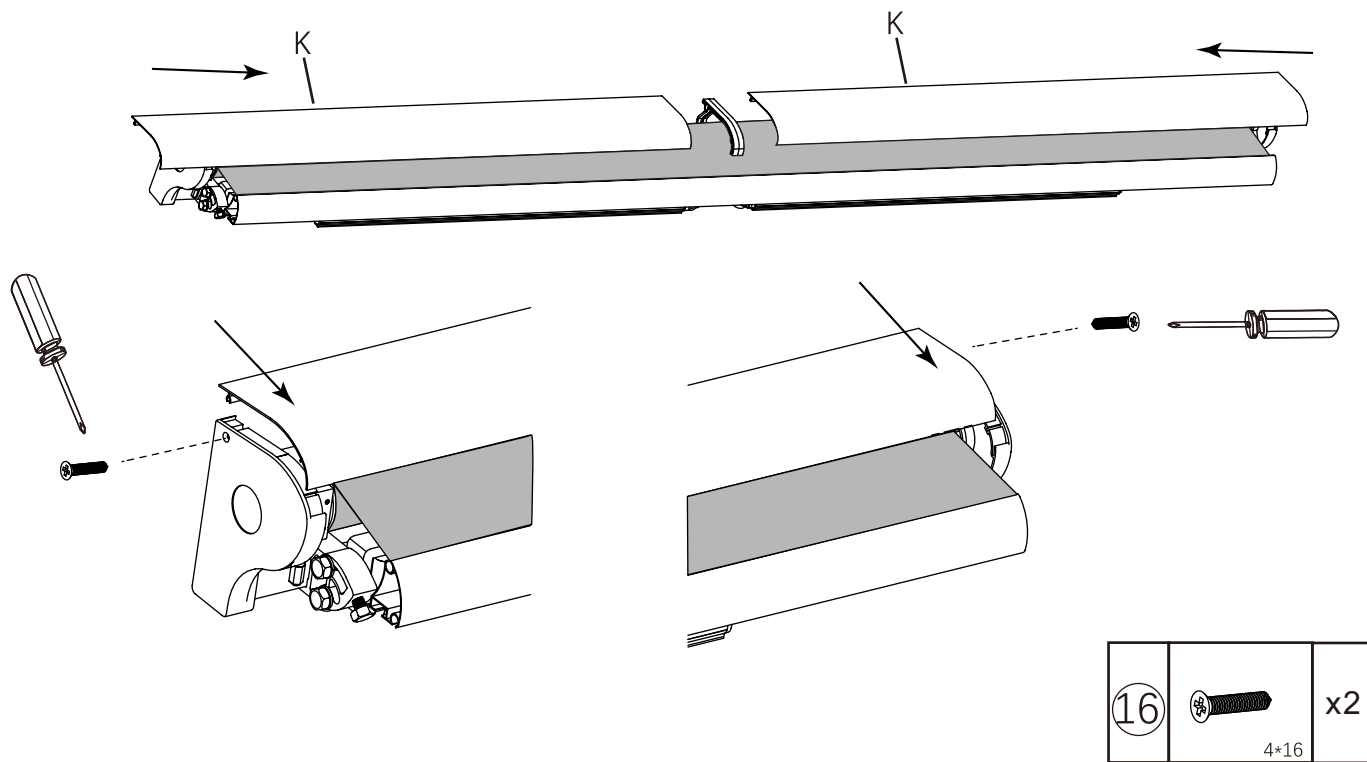
Representation without AA section for better understanding.



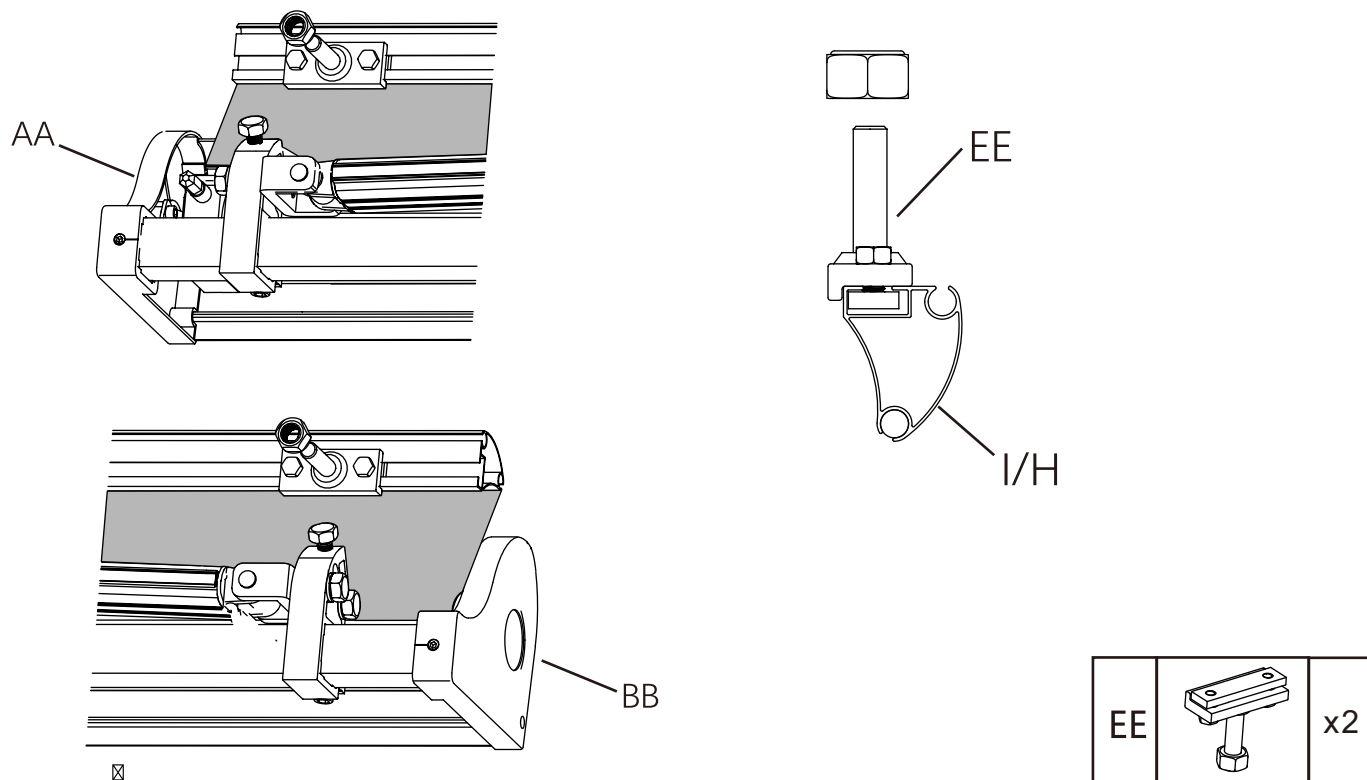
Bend the motor pin

Insert the motor pin

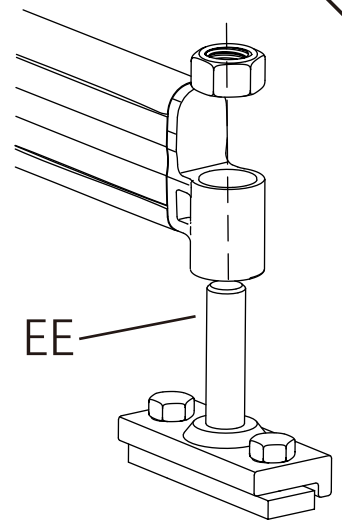
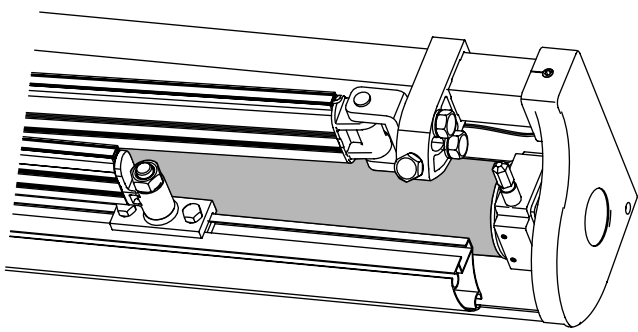
Install the rainproof.



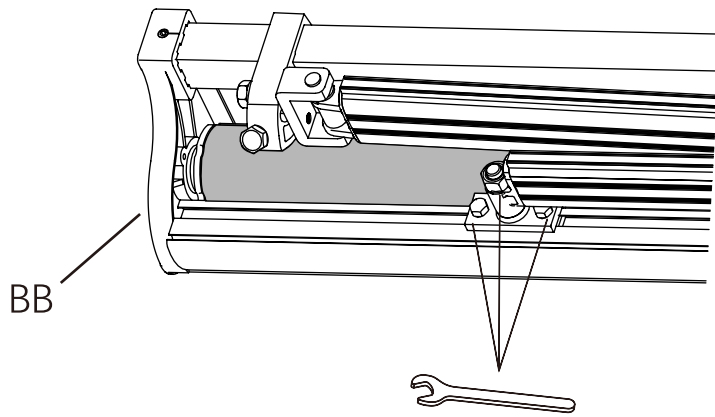
Insert the connector into the front bar.



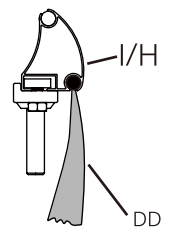
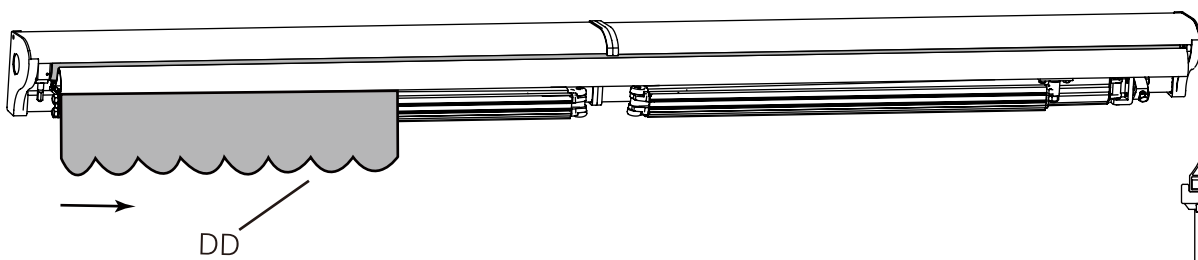
Fix the connector.



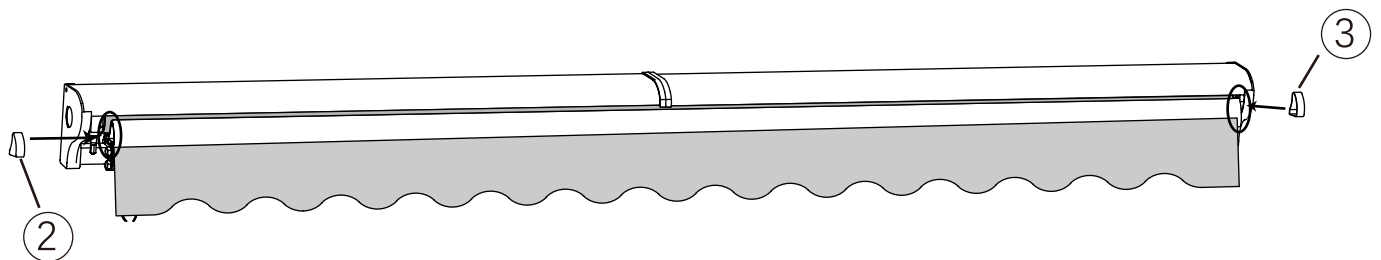
Use hand tools to tighten firmly. Don't be too tight.



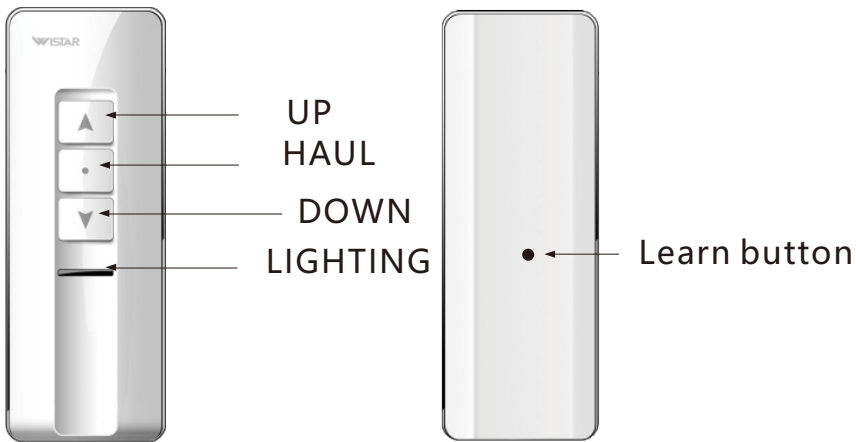
Install the front bar fabric.



Install the End Cap of Front Bar.



1. Description of the remote control.



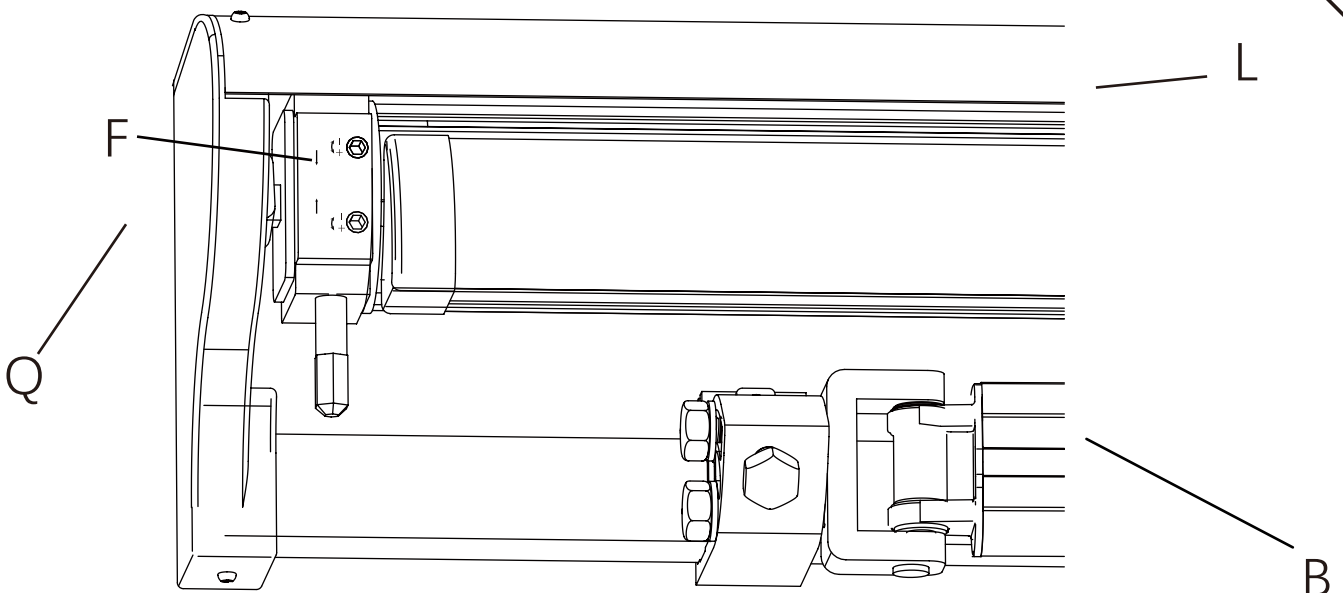
2. Technical data

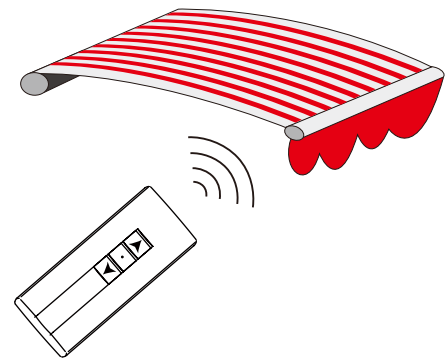
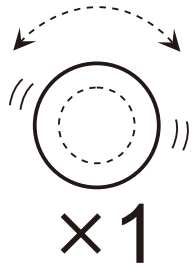
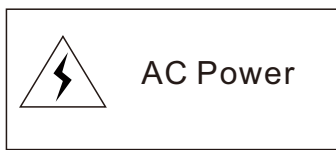
- Power supply: excluding 3V CR2032 type
- Working temperature: -10 C to+60 C (LCD transmitter)
- Working temperature: -20 C to+60 C (non LCD transmitter)
- Current: ≤12mA
- Code: Scroll Code
- Frequency: 433.92MHz

3. Code programming

01. Single channel transmitter

Press the up and down buttons simultaneously once, and then press the stop button once.

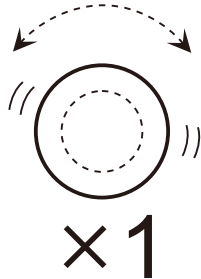
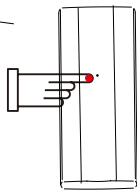




1) When ignited, the engine will vibrate.

U

x1

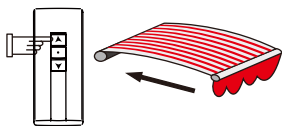


2) Press the learn button once and the motor will vibrate again.

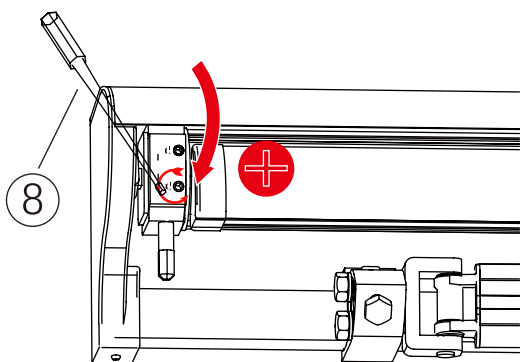
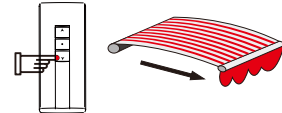
3) The remote control can control the awning.

Note: a) The programming power supply is only applicable to tubular motors, which have not received any transmitter codes. (b) If the engine has already received the transmitter code, it cannot receive another transmitter code. But you can turn it off, restart the engine after 5 seconds, then turn it off and back on 3 times, and the engine will vibrate every time. So you can do programming.

Open, press the up button to close the awning



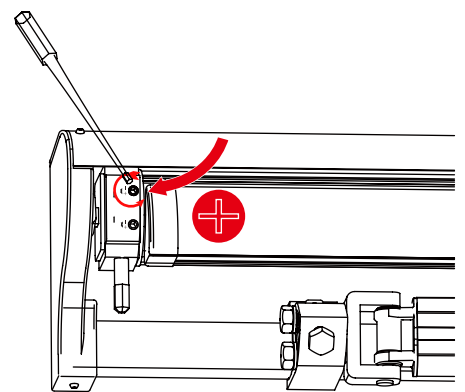
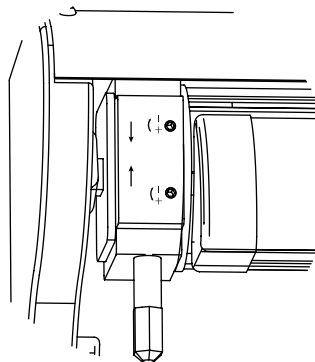
Open, press the down button to open the awning,



If the closing position needs to be adjusted inward, please adjust the pointed nut to "+"



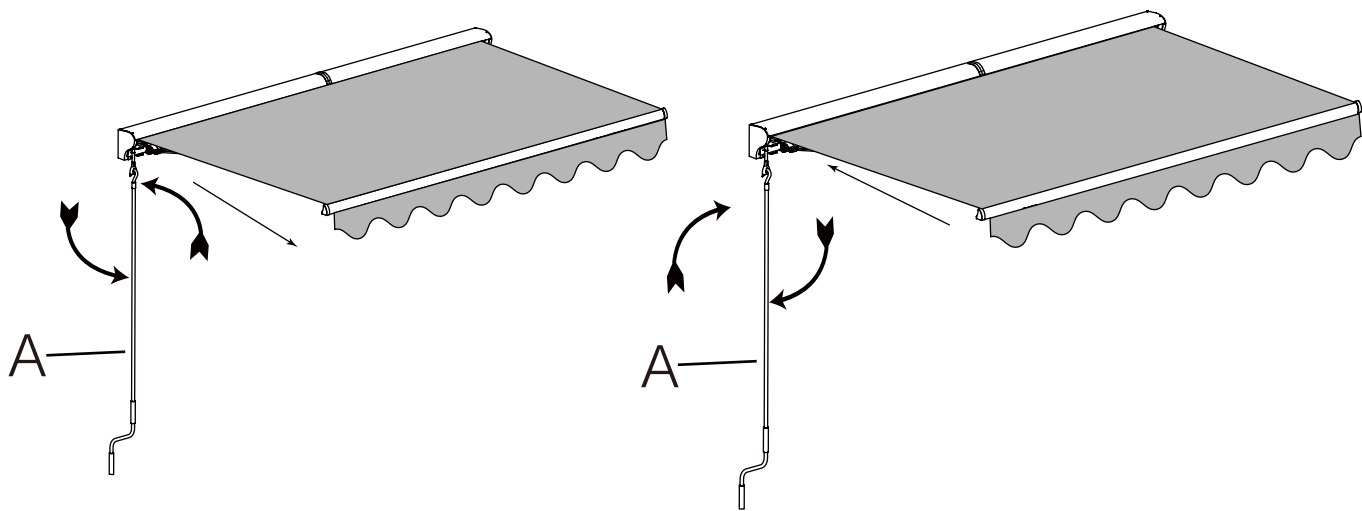
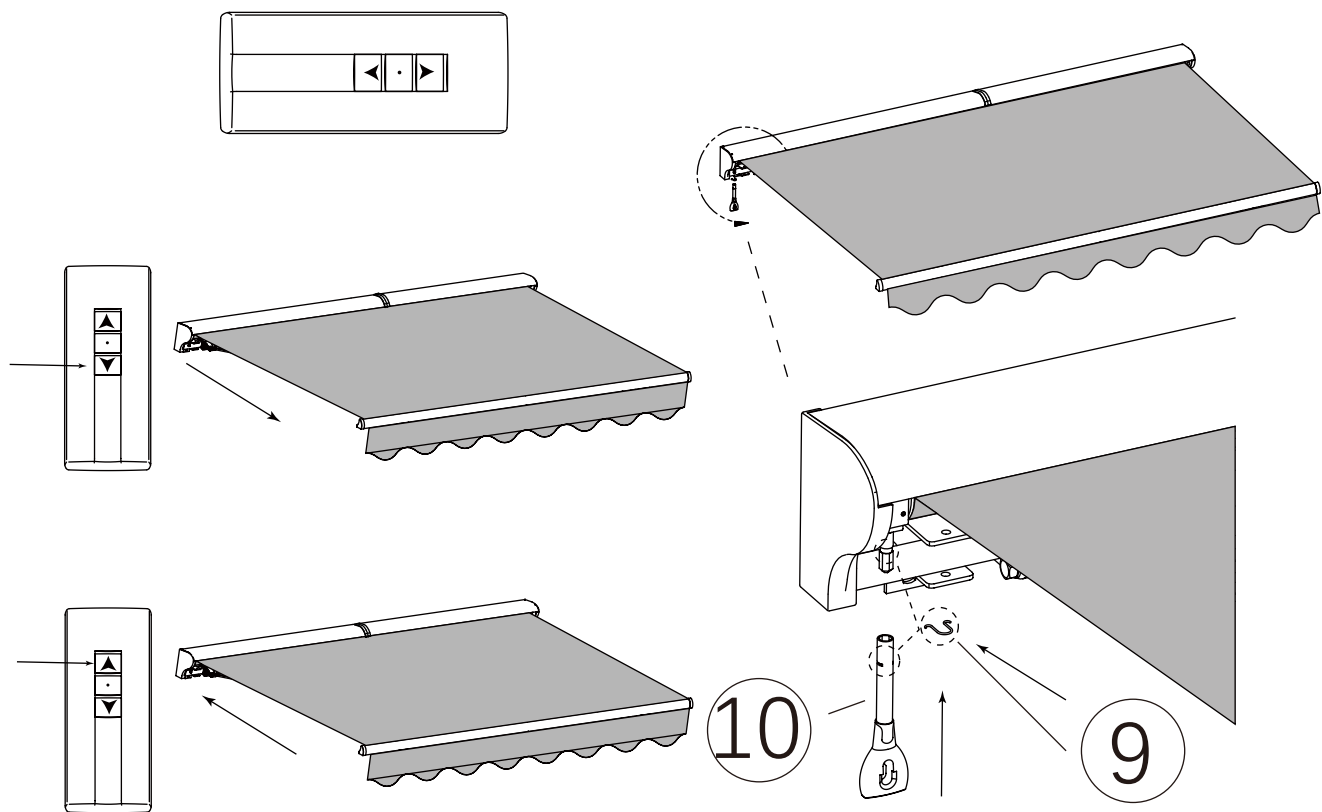
Do not adjust the locking nut when the motor is stationary and not rotating.



If you need to adjust the opening position outward, please set the pointed nut to "+"



Do not adjust the locking nut when the motor is stationary and not rotating,



Preparations

Make sure that no children and pets are present during mounting. They could get hurt by lain out parts or tools.

Carefully remove the awning from the box and remove the styrofoam protectors from the awning. Remove the plastic bags and plastic guards from the awning and carefully place the awning aside to avoid having it damaged by scratches or otherwise damaged or soiled during assembly. Check the number of parts in the packaging whether the packing list requirements, the quality of parts availability issues, if questions, please contact the supplier.

⚠ Be aware the sudden extension may occur during unpacking.

Tools needed for assembly:

- √ Drill
- √ Masonry drill bit, 14 mm
- √ Level
- √ Wrench
- √ Stepladder
- √ Tape measure
- √ Chalk or marker pen
- √ Wooden hammer

Mounting

⚠ Mounting on a concrete or brick wall

The awnings must be installed at least at the height of 250cm only on a reinforced concrete wall or massive brickwork. Please ask professionals for help if you are not sure

If your building has an exterior shell (such as insulation, double brick wall, brick facing), installation should be taken out by a professional.

If the wall/brickwork shows cracks you have to consult a professional.

⚠ Make sure the wall/ceiling is plain, so that bracket seats solidly.

⚠ **WARNING!** Two healthy adults with technical knowledge are needed to move and install the awning.

👉 For safe and smooth installation think about where you will be securing the awning to the wall before you start drilling holes.

Step 1: Chose Mounting Location

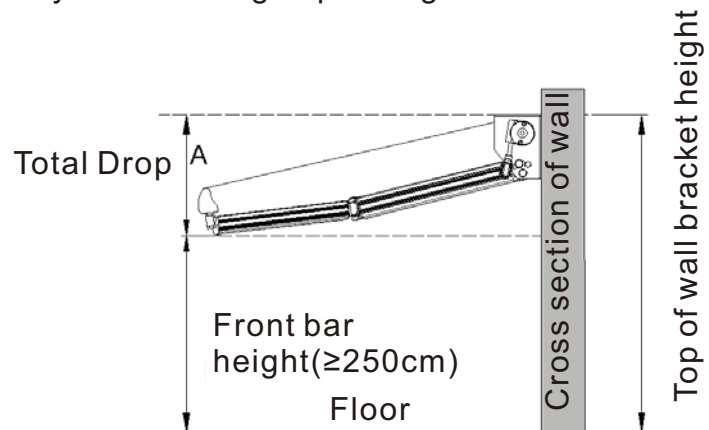
Ensure that you also take this drop height into account in your decision on where to install the awning. The drop angle can still be changed after assembly. The ideal drop angle, however, has already been set at the factory and may only be changed minimally.

We recommend that the awning front bar has a height of at least 250cm when it is fully extended – if your local conditions to not allow this you can mount the awning in lower position. The horizontal centre line through the lower drilling holes must be 60cm higher than the axis of the front bar to meet the minimum tilt angle of 14°.

In the event you would like to mount it above a balcony door, you should leave a space of at least 20cm above the door frame if there is enough space available above the door frame.

Figure 1:

When choosing mounting location you must take tilt angle into consideration. We recommend that the awning front bar has a height of at least 250cm, total drop A must be at least 60cm. At a height of front bar at 250cm height of centre line through lower drilling holes is 310cm.



Step 2: Mark Drilling Holes

After choosing mounting position you can mark where you need to drill holes for the brackets. Draw a horizontal line at the height of the required place. Use a long taper measure, a level and chalk.

We already marked where and with what width brackets need to be mounted.

Measure the width between the brackets and copy it to the line on your wall/ceiling. Hold a bracket with the lower mounting hole on the height for the chalk line to the wall (please refer to figure 2 for correct position of the bracket) and mark the two drilling holes. Use the bracket at center mark template by running a marker pen through the holes of the brackets. Alternatively you can use the packing to make a center mark template. Just lay the awning inclusive brackets on the packing and mark the drilling holes. Then hold the template against the wall in corresponding height. Use a level.

Attention: To avoid errors, please manually measure the hole size. The dimensions provided in this manual are for reference only.

Step 3: Drill Holes

Use 14-mm masonry drill to drill the holes for the brackets at the appropriate marks on the wall. The holes should be 9cm deep in the wall and must be drilled through solid masonry or concrete. Do not bore through mortar because this does not offer the strong enough support for the heavy duty anchors, which are required for the installation of awning.

Use 14-mm masonry drill to drill 9cm deep holes.


Step 4: Insert Heavy Duty Anchors


After drilling, clean the holes by blowing them out. Then insert the heavy duty anchors into the holes.


Before inserting lose the nut, washer and clamp ring. Put them at the side, so that you have it at your fingertips.

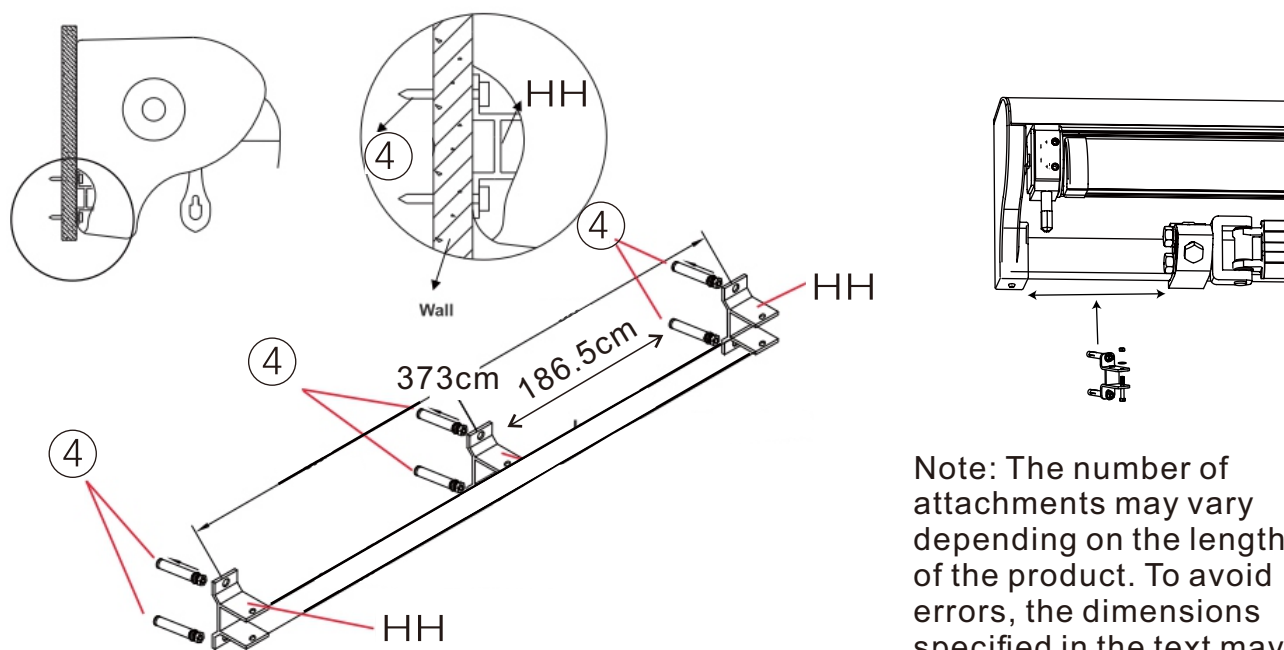
Step 5: Hang on the awning

Insert the explosion screws, and left 0.5cm, hang on the awning, then tight the screws.

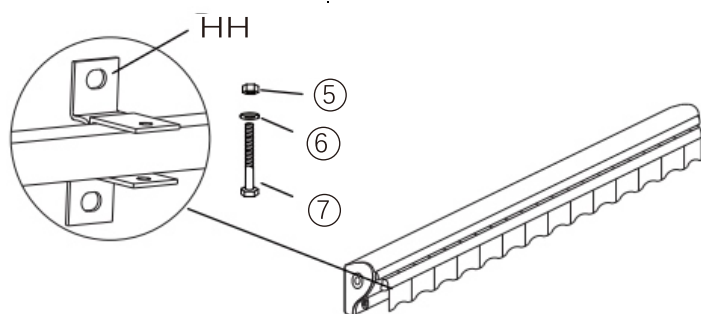
 Attention: If you find that there is no resistance when you pull out the nut of the heavy duty anchor, then the heavy duty anchor has not enough anchorage. You have to repeat the complete mounting with a minimum offset of 15cm!

 As soon as they are fully inserted, the brackets must sit firmly in the wall. If they are still moving in any form, you must further tighten it.

 Do not try to secure the wall brackets to loose wall stones or any surfaces that are not absolutely firm connected to brickwork.



Horizontal installation on the same wall.



Note: The number of attachments may vary depending on the length of the product. To avoid errors, the dimensions specified in the text may be distorted, and the installation position of the boom should be maintained at the specified middle position.

The awnings are intended as a protection against the sun only. It is not to be used during periods of strong wind, rain, hail, or snow. In case of such conditions, retract the awning immediately.

Never allow children to play with the awning.

Be sure the fabric is tensioned. If the fabric is not tensioned during extension, please turn counter-clockwise until the fabric is tensioned.

Do not put any objects or parts of your body e. g. hands, in the awning while extending and retracting. Hazard of crush!

When the front bar touches the roller as shown in following figure during retraction, don't try to make them closer, otherwise the product might be damaged.

Take out the crank handle from loop after adjusting the awning as you wish and put it on a place that is not reachable for children to avoid that they play with the awning.

Maintenance

Regular maintenance will not only help to keep a long durability but is also important for your own and the safety of other people.

- Examine regularly if wall brackets are tight, fasten them if loose or lax.
- Examine the gear box once in half a year. If you find any damages stop using the awning until gear box has been repaired or renewed.
- Examine the bolts and nuts once in half a year, fasten them if loose or lax.
- Stop using the awning immediately if it has been damaged or it is not tighten properly.

Please contact an authorized service center for repair and if you have any further questions.

Normally it is not necessary to lubricate moving parts of the awning. However, if it will be come necessary on day, e. g. because of abnormal noise or because extracting is difficult, do only use lubricants that can be used for plastic materials, do not use lubricants that are based on petroleum.

Use a straw attached to the spray nozzle. Lubricate generously the area between the end of the roller tube and the end bracket (pivot pin). Take care not to over spray on the fabric material.

Cleaning

Frame: Over time, dust and dirt will collect on the frame and will require periodic cleaning to maintain its appearance.

A mild spray cleaner or water/detergent mixture may be applied to the frame to clean it. Wipe dust off with a damp cloth. Do not use aggressive detergents e. g. to clean oil residues.

Fabric: Clean the fabric every six months.

Only use natural soap, never use chemical detergents. Water should be cold to lukewarm. Let the fabric dry completely. Do not use heating appliances e. g. hair dryer for drying.

Dismounting

When you don't want to use the awning anymore or if you want to dispose it one day you have to dismantle it.

Attention! At least two healthy adults are need for this step.

- Retract the awning completely before you begin with dismantling. Bind the arms of the awning together to avoid unintended unfolding. This might cause damage and injury. You can use the protection band that was fixed on the awning when purchasing it.

- Follow the mounting instructions in reversed order to dismount the awning.

- Make sure that drilling holes in the wall will be sealed professional.

Attention! Safety hints and instructions have to be followed for dismantling as well.

Storage

When you do not want to use the awning for a longer period of time it is recommended to take the awning out of the brackets and store it.

- Make sure that the fabric is dry completely before storing. Storing a wet fabric can cause spots and damage.

- Store the awning at a dry and safe place that is not reachable for children.

Disposal

Do not dispose this awning with other household wastes. To prevent possible harm to the environment or human health from uncontrolled waste disposal, recycle it responsibly to promote the sustainable reuse of material resources. To return your used device, please use the return and collection systems or contact the retailer where the product was purchased. They can take this product for environmental safe recycling. Dispose packing materials according to local guidelines.

Wartungsempfehlungen

- **Metall:** Mit milder Seifenlauge waschen und mit klarem Wasser abspülen. Mit einem fusselfreien Tuch abtrocknen. Vermeiden Sie die Verwendung von Reinigungsmitteln und säurehaltigen Produkten.
- **Stoff:** Chemische Reinigung.
- **Kunststoff:** Regelmäßig mit einem sauberen, weichen und trockenen Tuch abstauben. Vermeiden Sie die Verwendung von ätzenden Produkten.

Benötigtes Werkzeug: Schraubendreher, Hammer, Bohrer, Schraubenschlüssel (Rolle, Innensechskant)

Wichtiger Hinweis: Bevor Sie mit dem Zusammenbau der Möbel beginnen, vergewissern Sie sich, dass Sie alle Teile erhalten haben.

Vorsichtsmaßnahmen für den Gebrauch:

1. Halten Sie Kinder und Haustiere von den Montagepunkten fern.
 2. Zu Ihrer Sicherheit sollten Sie das Möbelstück nicht alleine zusammenbauen. Aus Sicherheitsgründen empfehlen wir zwei Personen für die Montage.
 3. Einige Teile können scharfe Kanten haben. Bitte tragen Sie während des Zusammenbaus gegebenenfalls Schutzhandschuhe.
 4. Bei der Montage und Verwendung dieses Produkts sollten grundlegende Vorsichtsmaßnahmen getroffen werden, um das Risiko von Verletzungen und Sachschäden zu begrenzen.
- Bitte lesen
5. Nur für die Verwendung im Freien. Dieses Produkt sollte nicht in Situationen verwendet werden, in denen die Windstärke größer als Stufe 5 (29-38km/h) ist. Dieses Produkt dient nur zur Erzeugung von Schatten und ist nicht für raue Wetterbedingungen geeignet.
 6. Schalten Sie das Gerät bei schlechtem Wetter, mäßigem bis starkem Wind, starkem Regen oder starkem Schneefall aus. Verwenden Sie das Gerät nicht bei kaltem Wetter da es dadurch beschädigt oder in seiner Leistung beeinträchtigt werden kann.
 7. Prüfen Sie vor und während des Gebrauchs, ob alle Muttern fest angezogen sind.
 8. Die Garantie gilt nicht für Schäden, die durch ungünstige Witterungsbedingungen verursacht wurden.
 9. Zünden Sie keine Kerzen, Streichhölzer oder offene Flammen unter oder in der Nähe des Geräts an.
 10. Warnung: Bringen Sie keine Flammen oder Wärmequellen in die Nähe des Zeltstoffs.
 11. Aus Sicherheitsgründen, die mit der Innentemperatur zusammenhängen, kann der Motor nur 3 Minuten lang ununterbrochen laufen.
Wenn der Motor länger als 3 Minuten läuft, hört er auf zu funktionieren.
Bitte warten Sie 15 Minuten, bis der Motor wieder in Betrieb genommen werden kann.
Zu Ihrer Information: Die Innentemperatur des Motors nimmt nach 5 Stunden wieder die Ausgangstemperatur an.
 12. Warnung: Bei der Reinigung, Wartung und dem Austausch von Teilen sollte der Stecker des Geräts gezogen werden.
 13. Warnung: Wichtige Sicherheitshinweise. Das Befolgen dieser Anweisungen ist wichtig für die Sicherheit von Personen. Befolgen Sie diese Anweisungen.
 14. Warnung: Wichtige Sicherheitshinweise. Bitte befolgen Sie alle Anweisungen, da eine unsachgemäße Installation zu schweren Verletzungen führen kann.

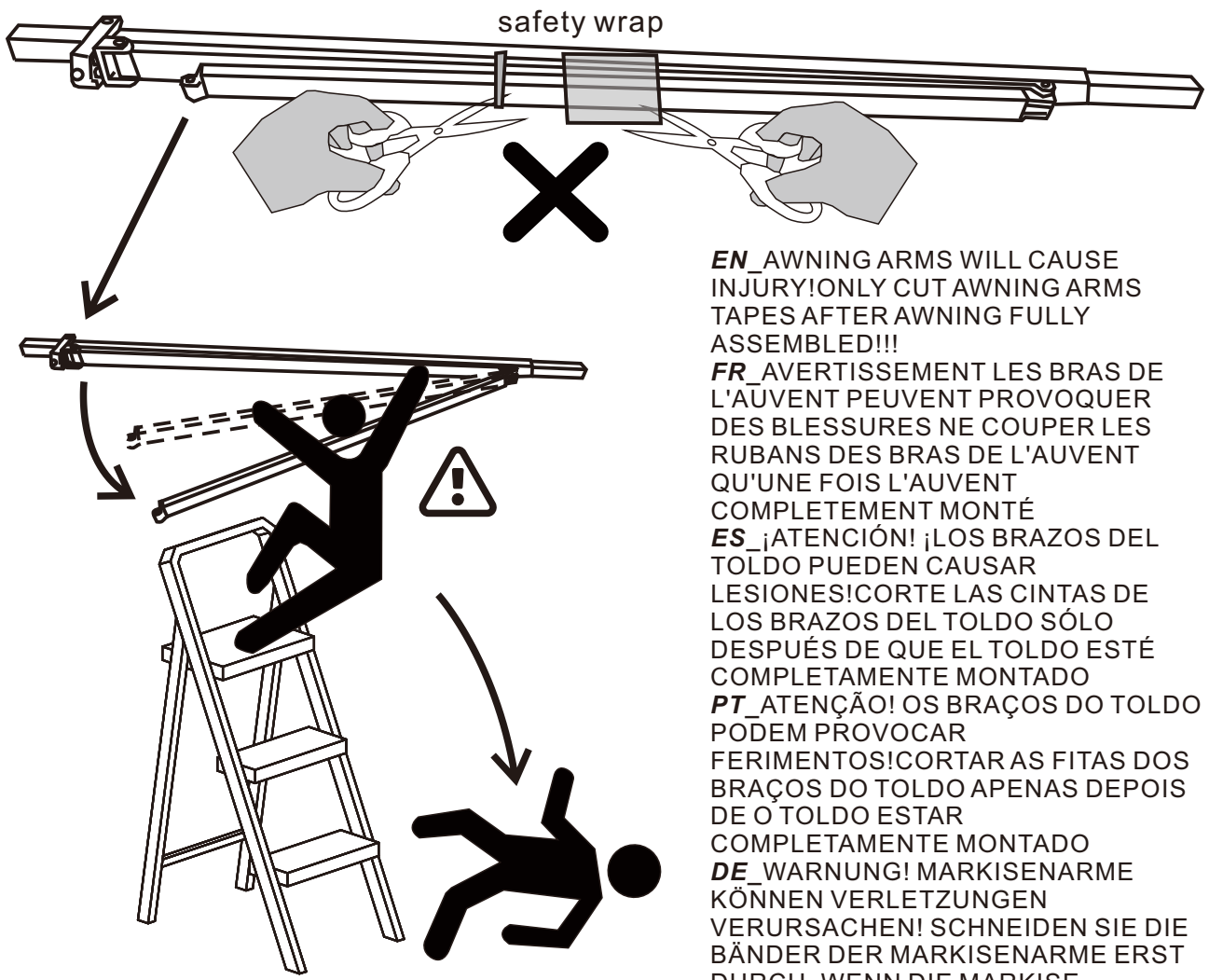
Montageanleitung:

Unsere übersichtliche Montageanleitung führt Sie Schritt für Schritt vom Anfang bis zum Ende des Montageprojekts. Auf diese Weise erhalten Sie qualitativ hochwertige Produkte.

Einfach zu montieren, wird es Ihnen jahrelange Zufriedenheit bringen.

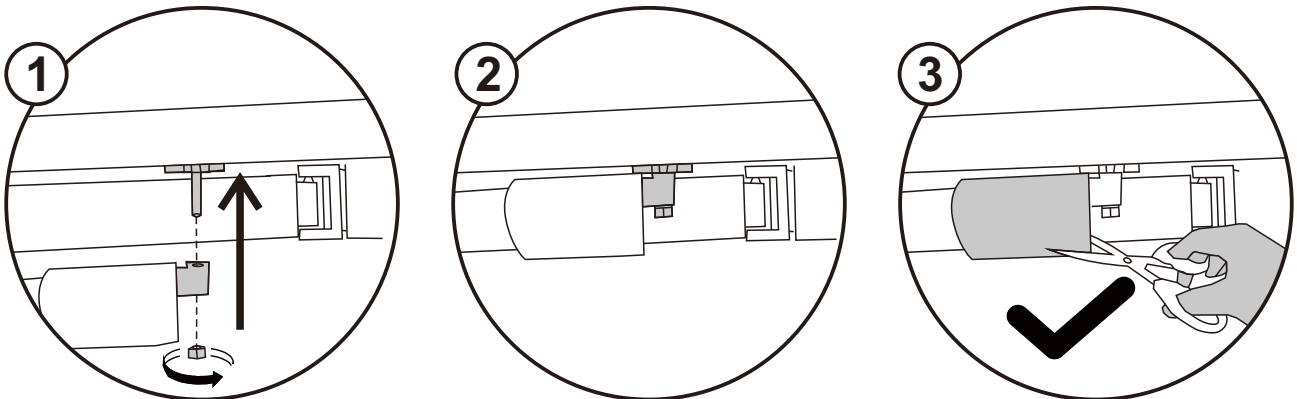
Sie benötigen nur einen Schraubendreher, einen Schraubenschlüssel (M8, M10, M12), einen Hammer und zwei (nicht im Lieferumfang enthalten).

Sie benötigen nur einen Schraubendreher, einen Schraubenschlüssel (M8, M10, M12), einen Hammer und zwei (nicht im Lieferumfang enthalten).

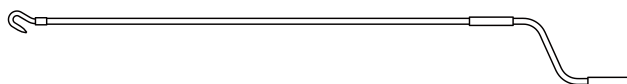


EN_AWNING ARMS WILL CAUSE INJURY! ONLY CUT AWNING ARMS TAPES AFTER AWNING FULLY ASSEMBLED!!!
FR_AVERTISSEMENT LES BRAS DE L'AUVENT PEUVENT PROVOQUER DES BLESSURES NE COUPER LES RUBANS DES BRAS DE L'AUVENT QU'UNE FOIS L'AUVENT COMPLETEMENT MONTÉ
ES_¡ATENCIÓN! ¡LOS BRAZOS DEL TOLDO PUEDEN CAUSAR LESIONES! CORTE LAS CINTAS DE LOS BRAZOS DEL TOLDO SÓLO DESPUÉS DE QUE EL TOLDO ESTÉ COMPLETAMENTE MONTADO
PT_ATENÇÃO! OS BRAÇOS DO TOLDO PODEM PROVOCAR FERIMENTOS! CORTAR AS FITAS DOS BRAÇOS DO TOLDO APENAS DEPOIS DE O TOLDO ESTAR COMPLETAMENTE MONTADO
DE_WARNUNG! MARKISENARME KÖNNEN VERLETZUNGEN VERURSACHEN! SCHNEIDEN SIE DIE BÄNDER DER MARKISENARME ERST DURCH, WENN DIE MARKISE VOLLSTÄNDIG MONTIERT IST!!!

IT_AVVERTENZA! I BRACCI DELLA TENDA POSSONO CAUSARE LESIONI! TAGLIARE I NASTRI DI BLOCCAGGIO DEI BRACCI DELLA TENDA SOLO DOPO AVER MONTATO COMPLETAMENTE LA TENDA!!!



EN_WARNING: WILL CAUSE INJURY! ONLY CUT AFTER FULLY ASSEMBLED
FR_AVERTISSEMENT CAUSE DES BLESSURES ! NE COUPER QU'UNE FOIS L'AUVENT ENTIÈREMENT MONTÉ
ES_AVISO ¡PUEDE CAUSAR LESIONES! SÓLO CORTE DESPUÉS DE COMPLETAMENTE MONTADO
PT_AVISO PODE CAUSAR FERIMENTOS! CORTAR APENAS DEPOIS DE COMPLETAMENTE MONTADO
DE_WARNUNG KANN ZU VERLETZUNGEN FÜHREN! ERST NACH VOLLSTÄNDIGER MONTAGE DURCHSCHNEIDEN
IT_AVVERTENZA CAUSERÀ LESIONI! TAGLIARE SOLO DOPO AVER ASSEMBLATO COMPLETAMENTE



A x 1



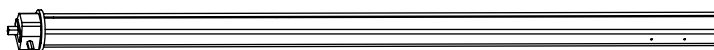
B x 1



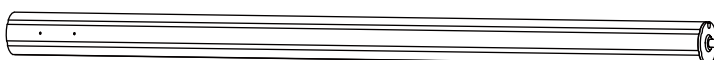
C x 1



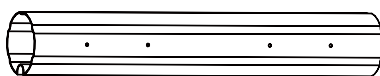
D x 1



E x 1



F x 1



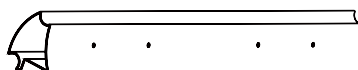
G x 1



H x 1



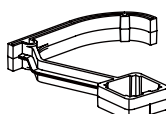
I x 1



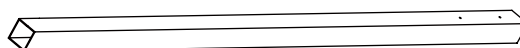
J x 1



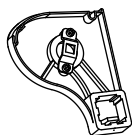
K x 2



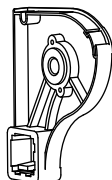
M x 1



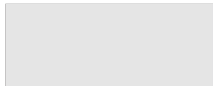
N x 2



AA x 1



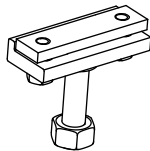
BB x 1



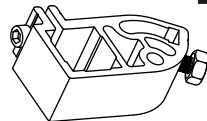
CC x 1



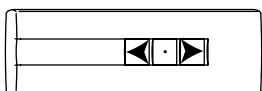
DD x 1



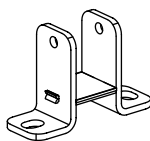
EE x 2



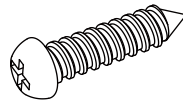
FF x 2



GG x 1



HH x 3



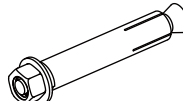
1 x 20
M4*16
+1 (spare)



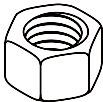
2 x 1



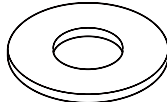
3 x 1



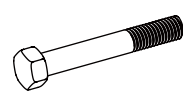
4 x 6



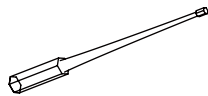
5 x 3



6 x 3



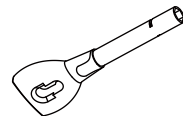
7 x 3
M8*55



8 x 1



9 x 1



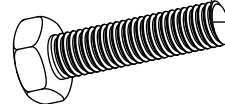
10 x 1



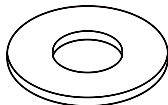
11 x 1



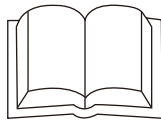
12 x 2



13 x 4
M10*40

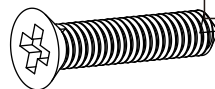


14 x 4

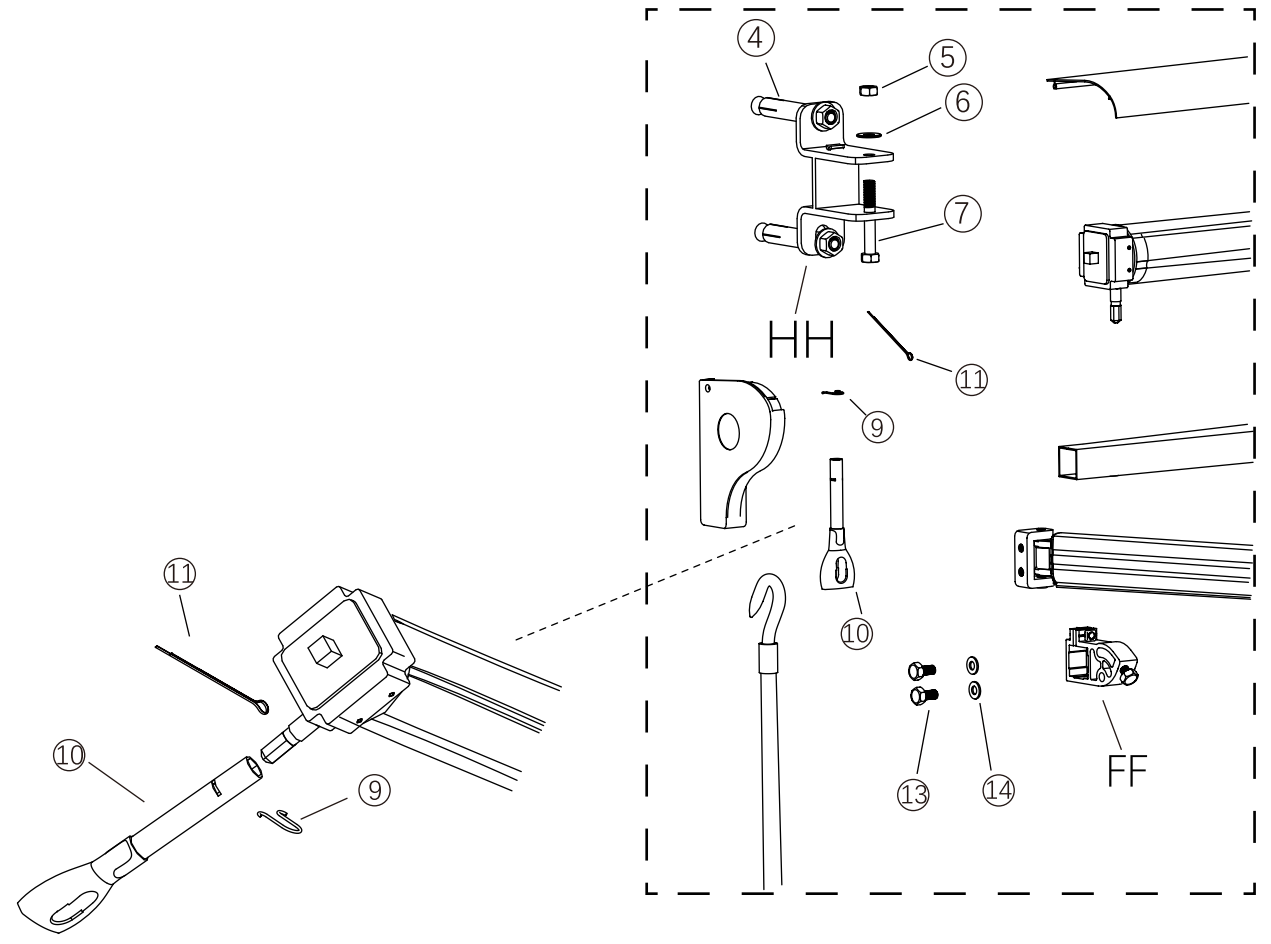
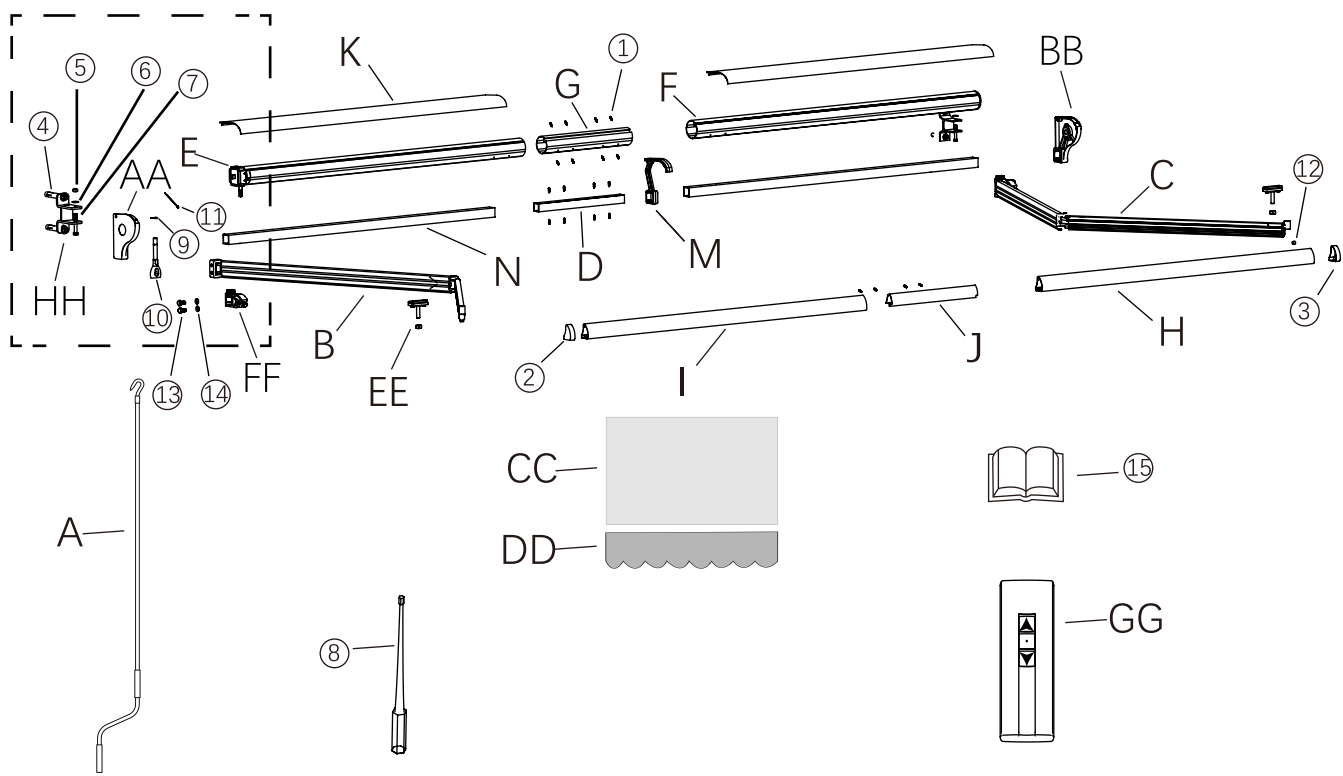


15 x 1

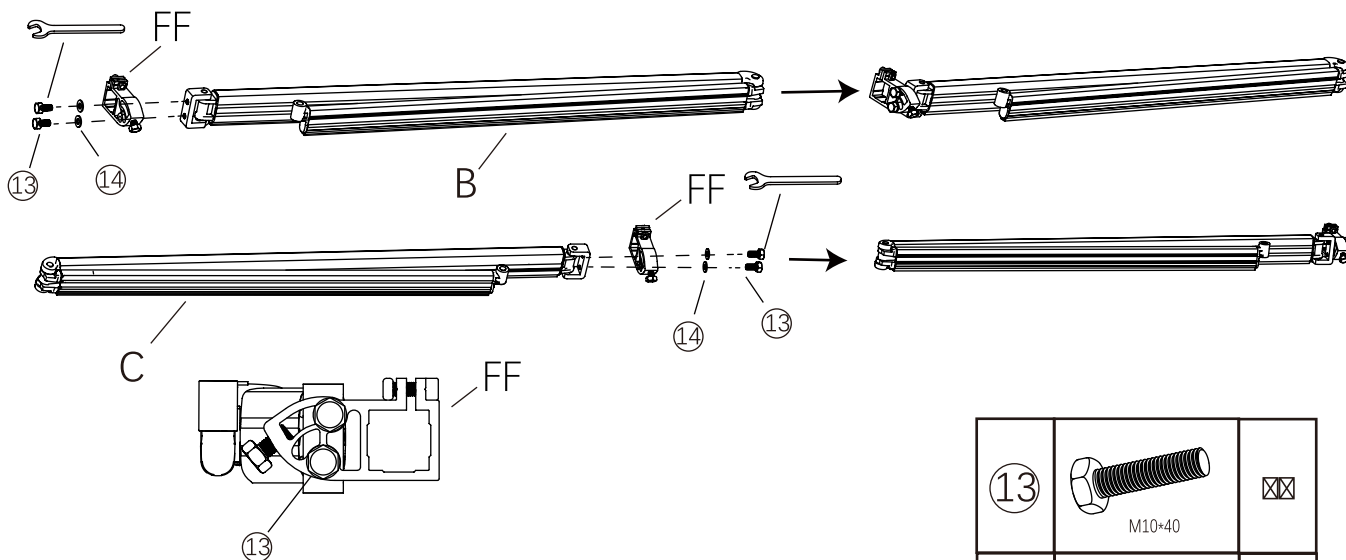
Instructions



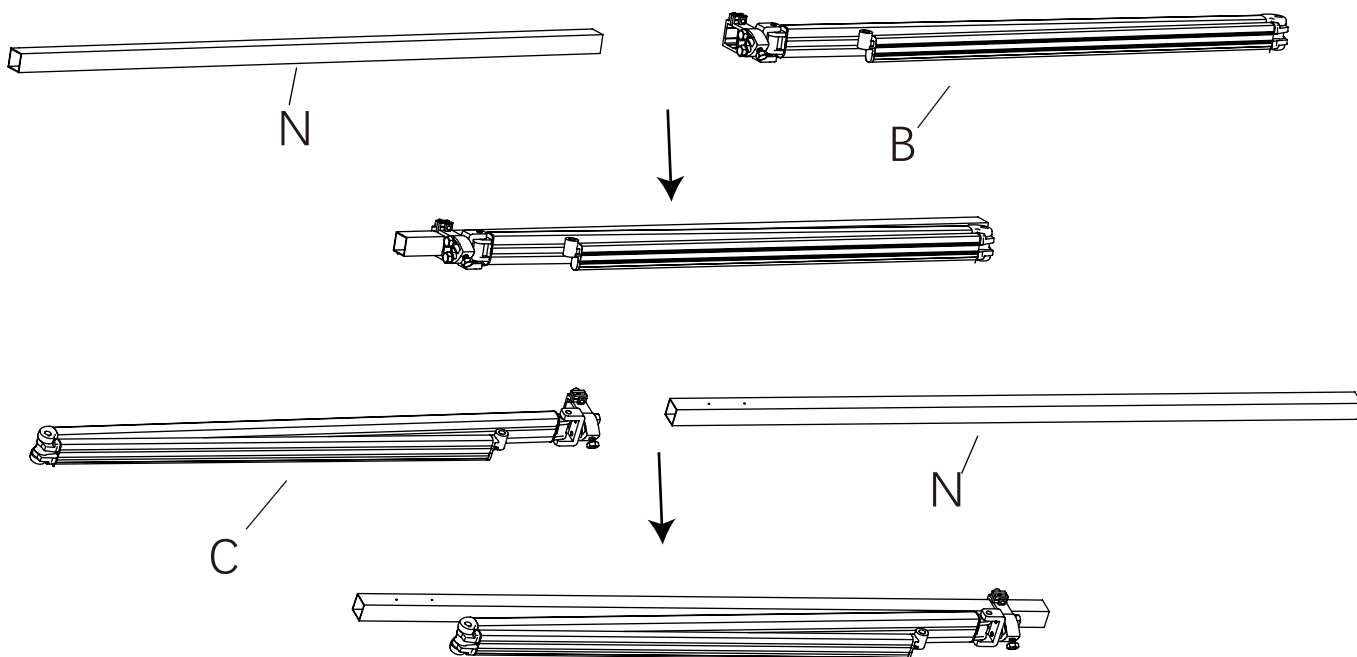
16 x 2
M4*16



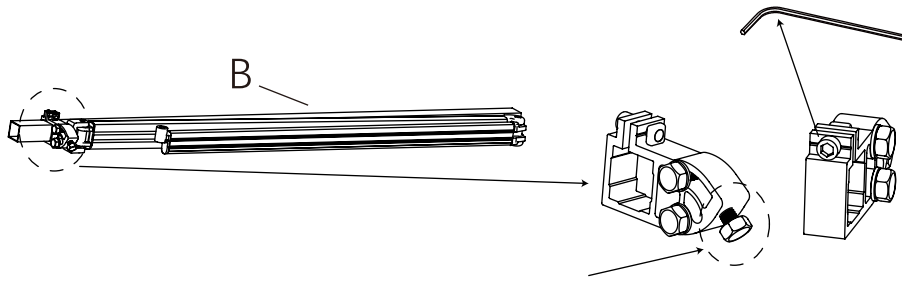
Verbinden Sie Armstütze und Arme.



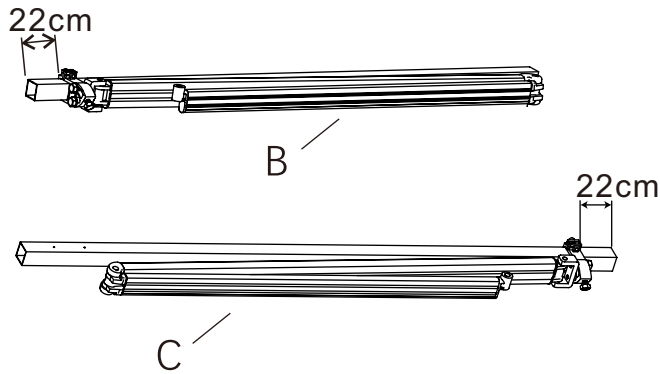
Verbinden Sie Arme und Vierkantstange.



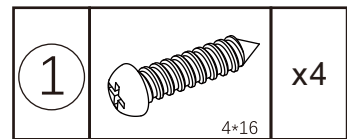
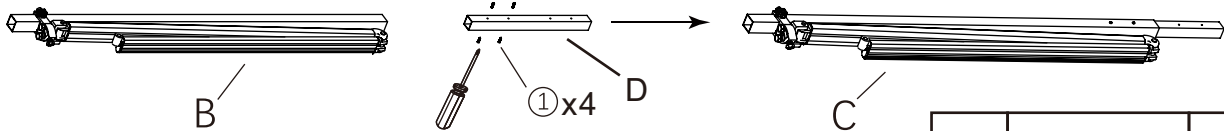
Befestigen Sie den Arm.



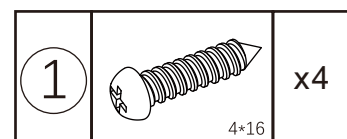
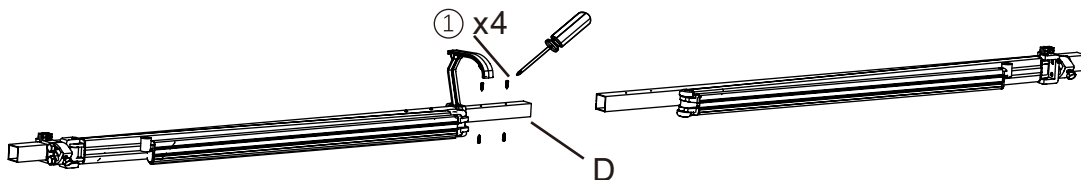
Mit dieser Schraube kann der Winkel der Markise eingestellt werden.



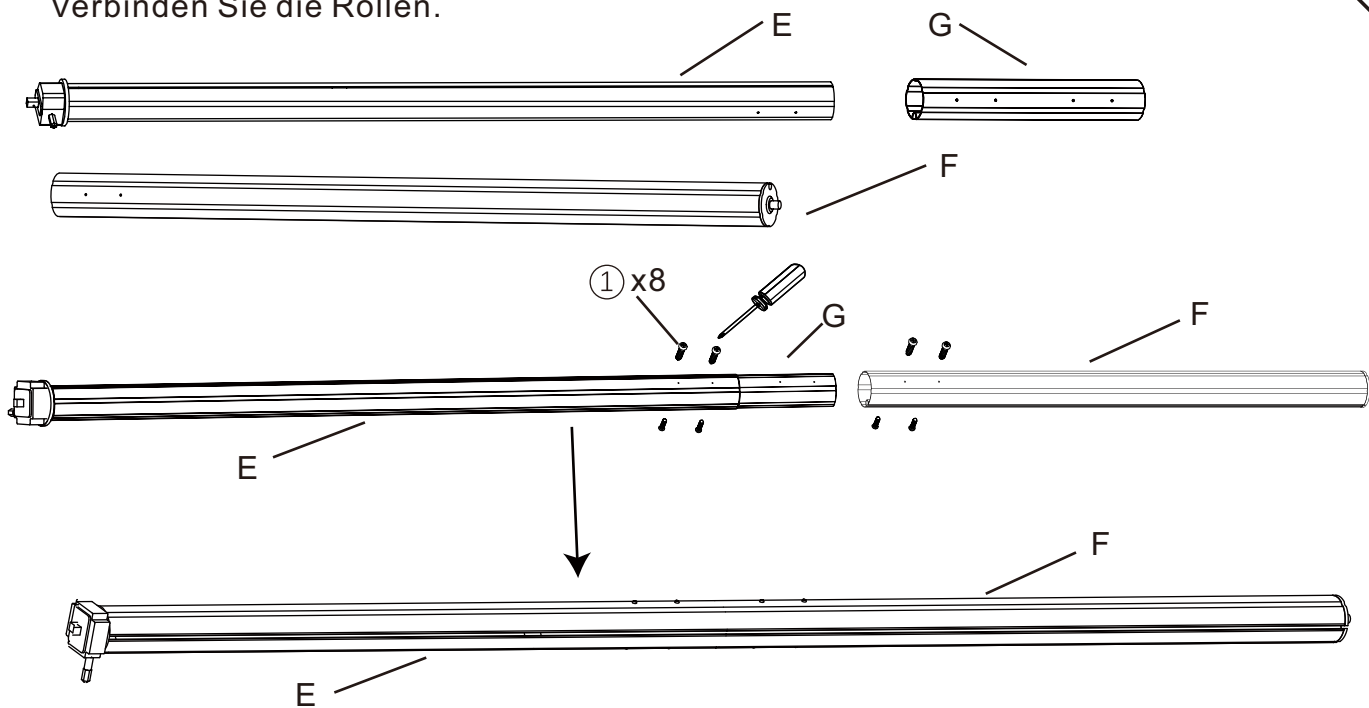
Verbinden Sie den linken Arm mit der Vierkantstange.

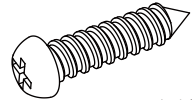


Verbinden Sie den Vierkantstab,

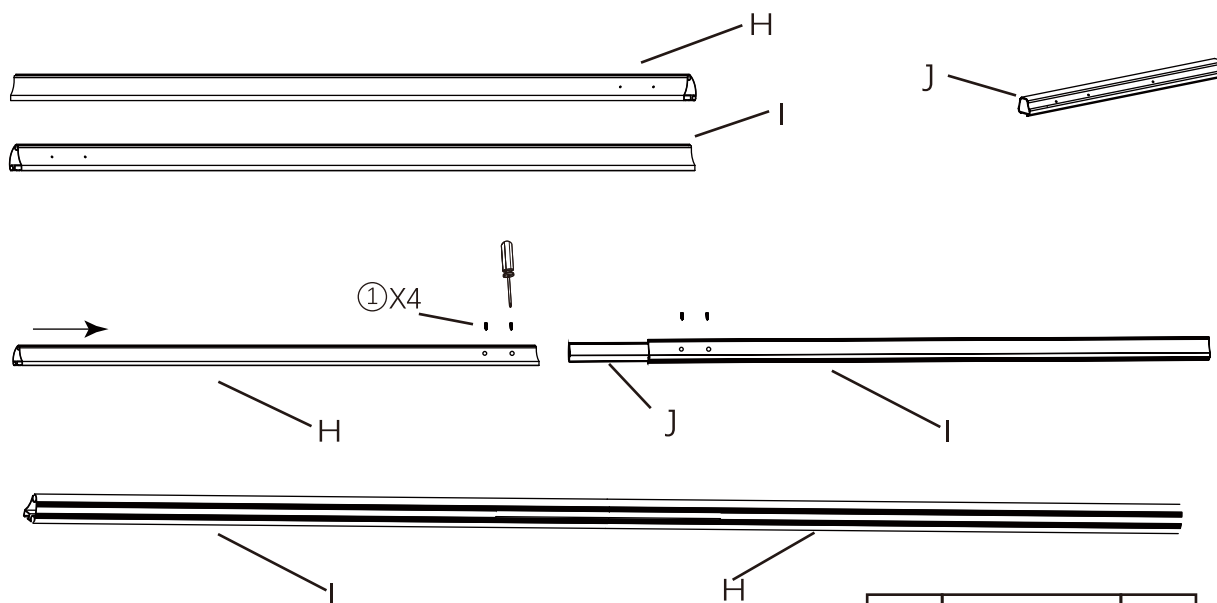


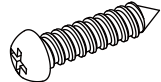
Verbinden Sie die Rollen.



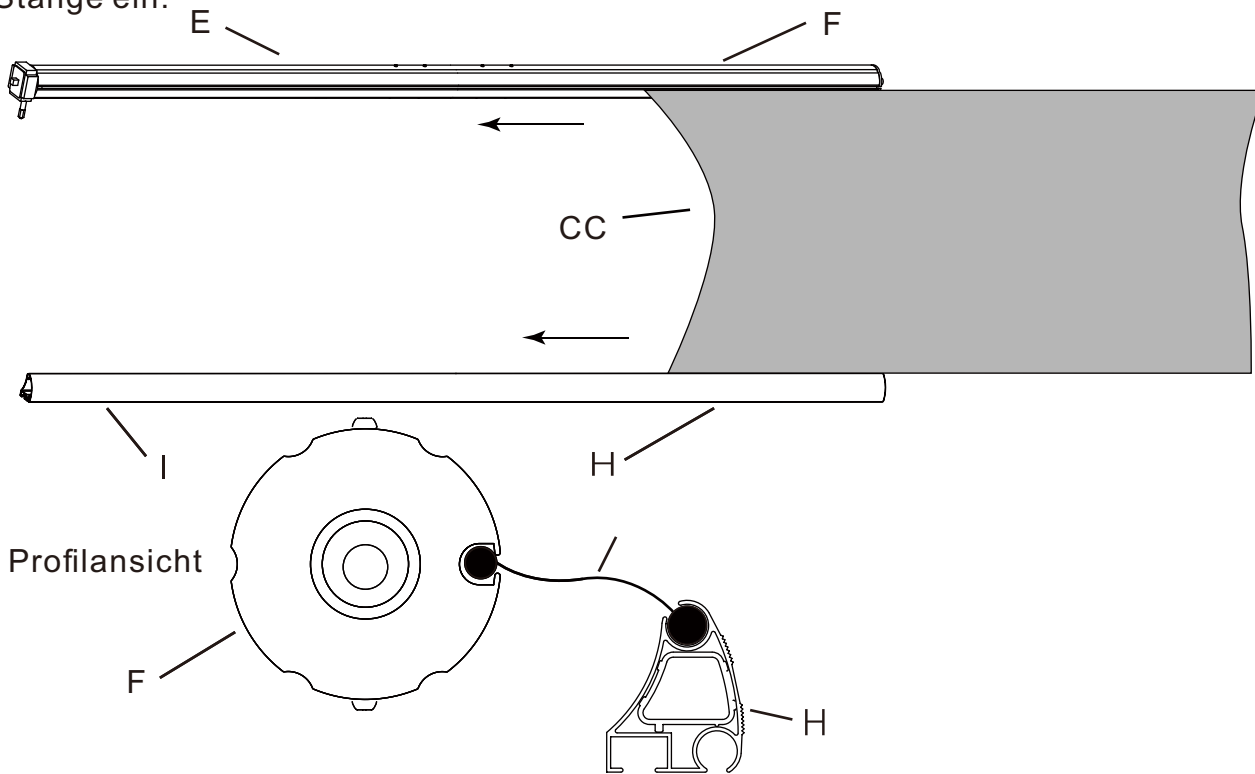
1		x8
	4*16	

Verbinden Sie die vorderen Stangen.

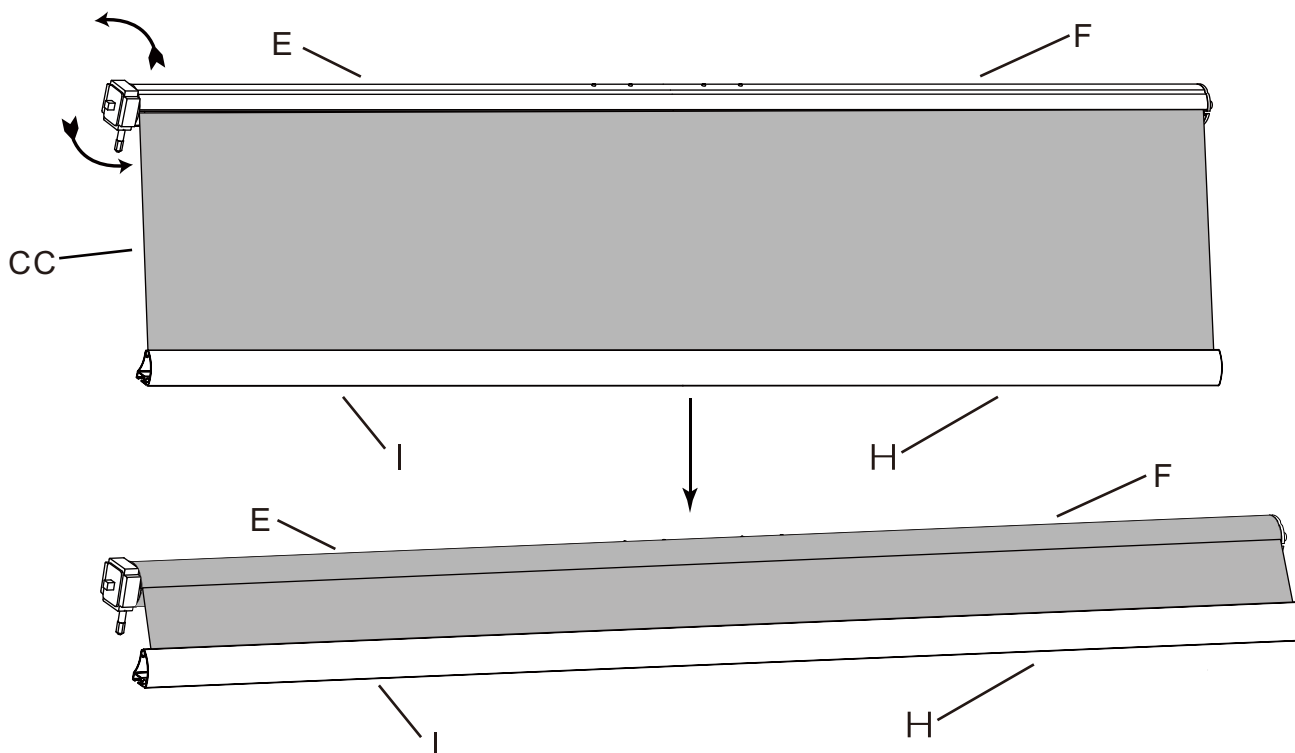


1		x4
	4*16	

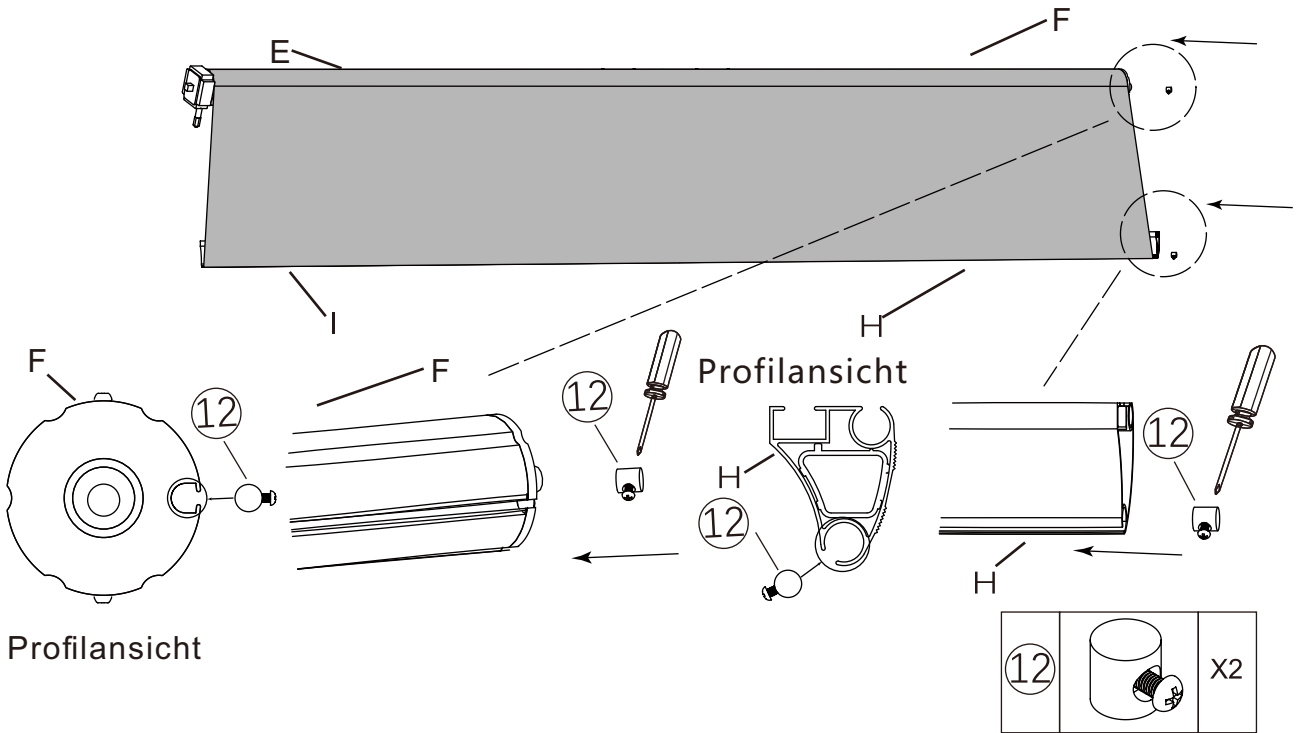
Legen Sie den Stoff wie in der Abbildung gezeigt in die Rolle und die vordere Stange ein.



Den Stoff aufrollen



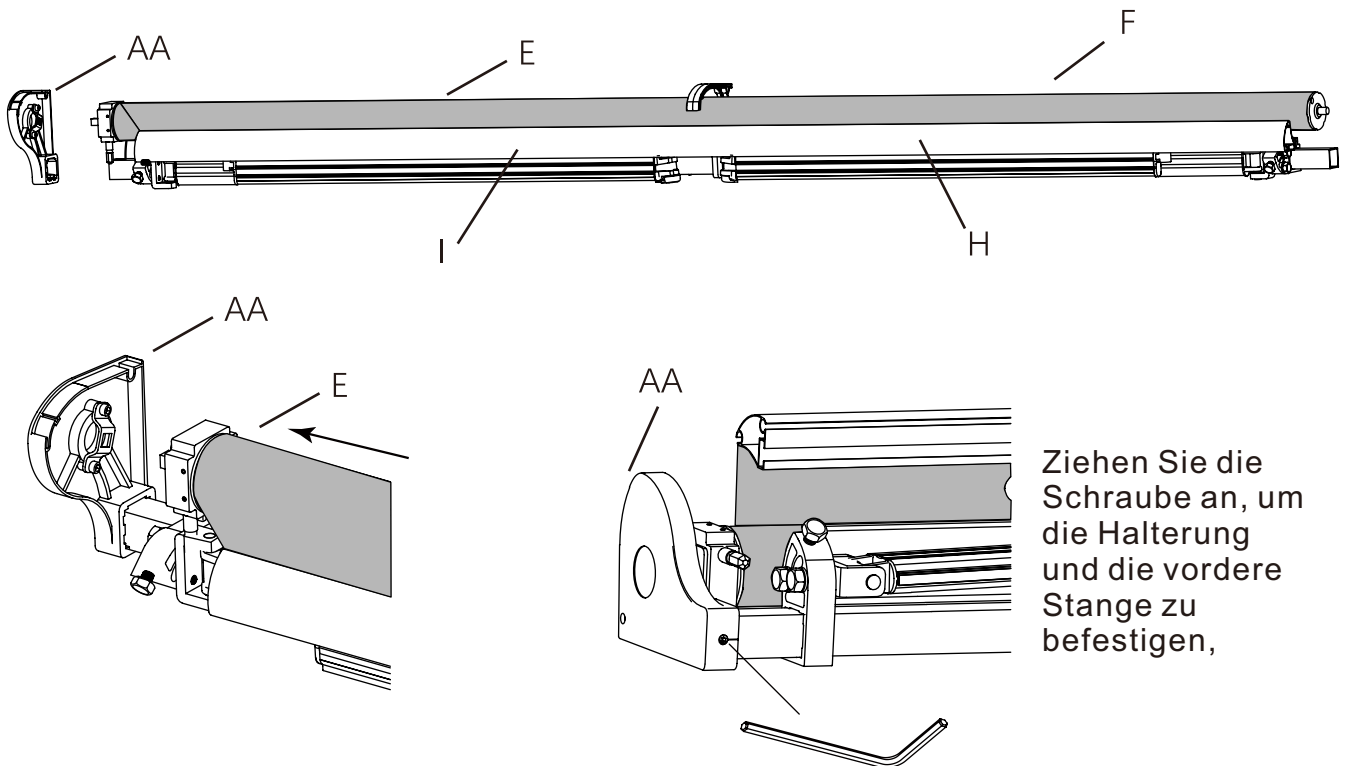
Installieren Sie die Fixiervorrichtung für das Gewebe.



Profilansicht

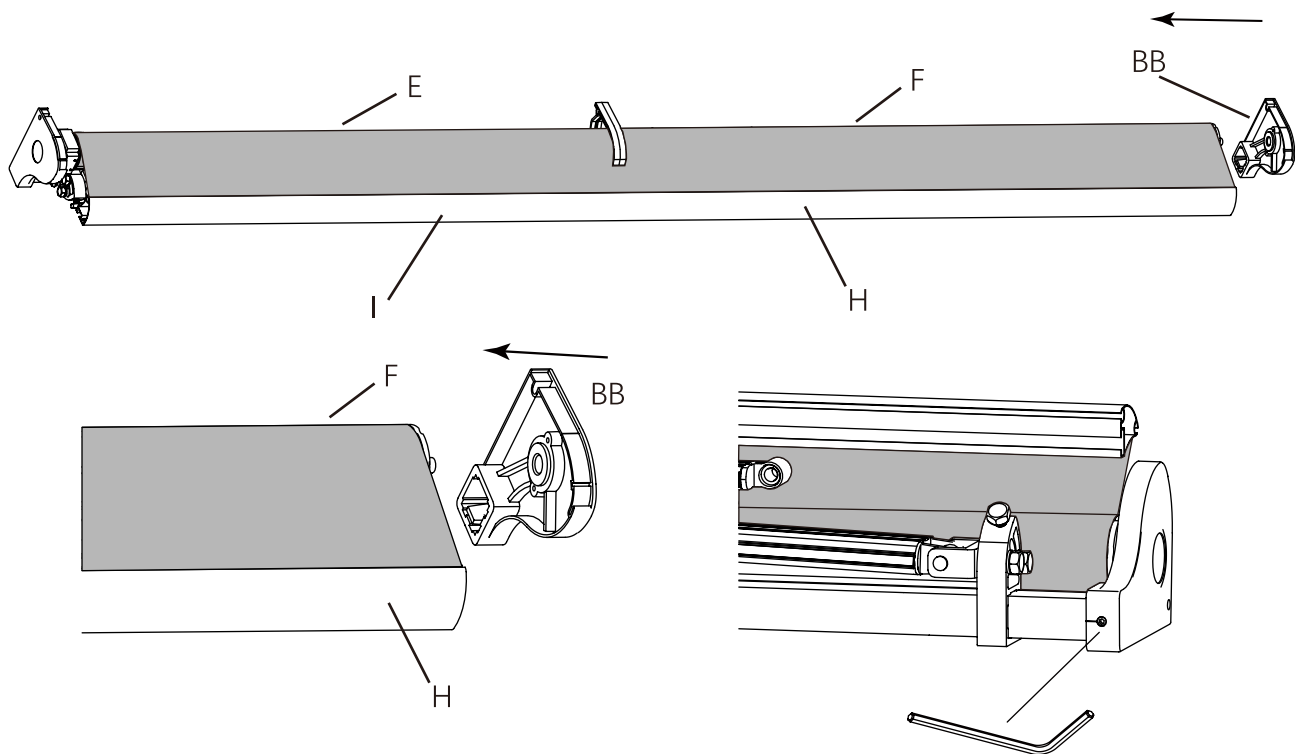
Profilansicht

Montieren Sie die linke Halterung.



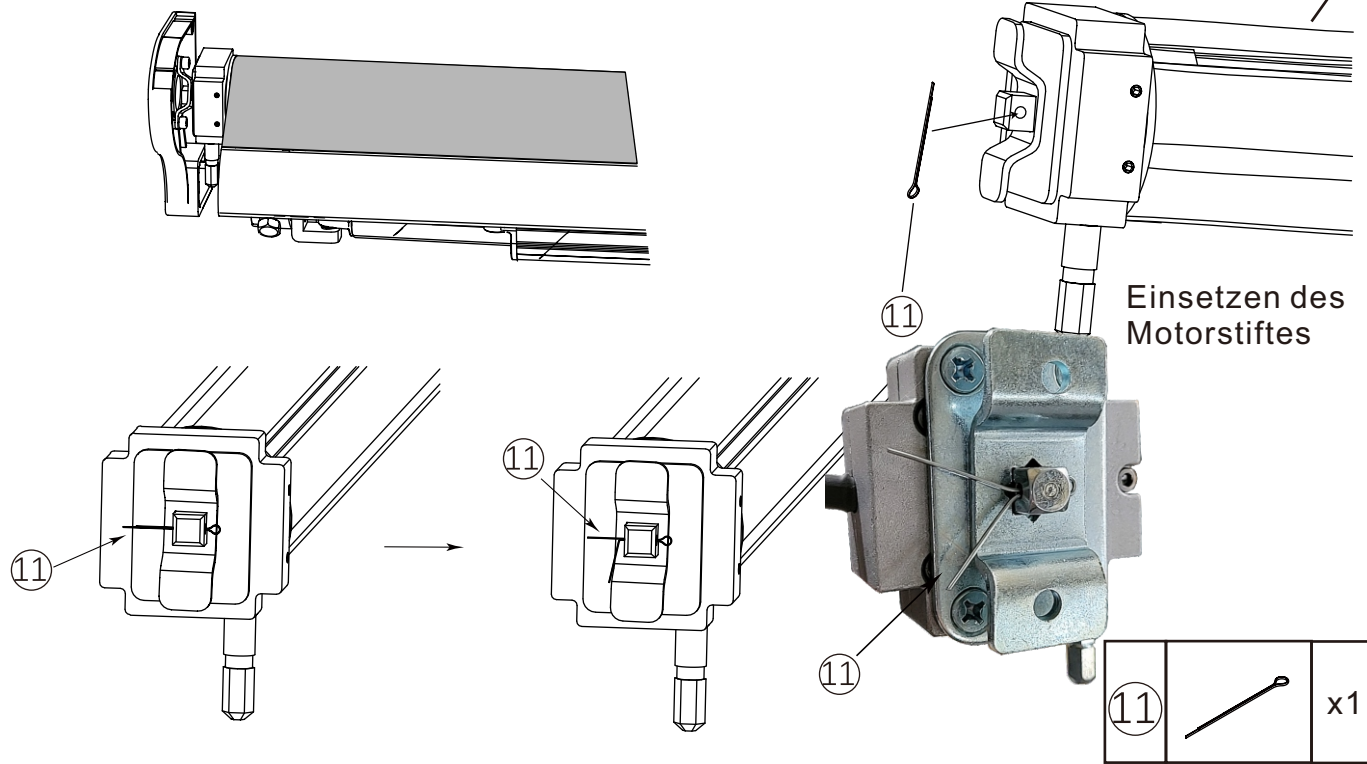
Ziehen Sie die Schraube an, um die Halterung und die vordere Stange zu befestigen,

Montieren Sie die rechte Halterung.



Befestigen Sie den Motor mit dem Motorstift

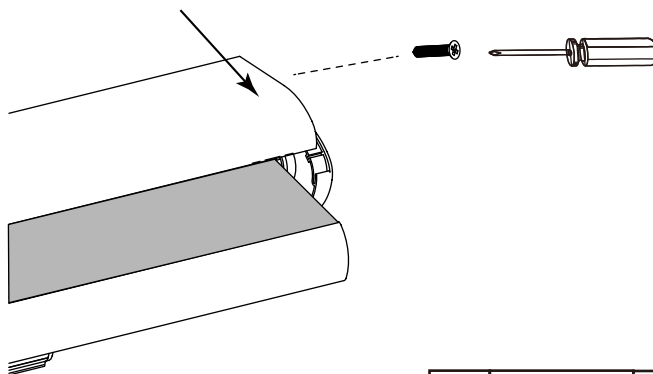
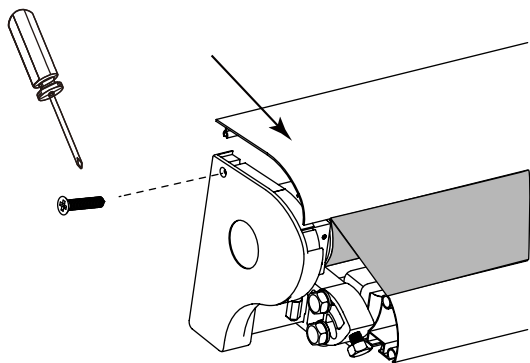
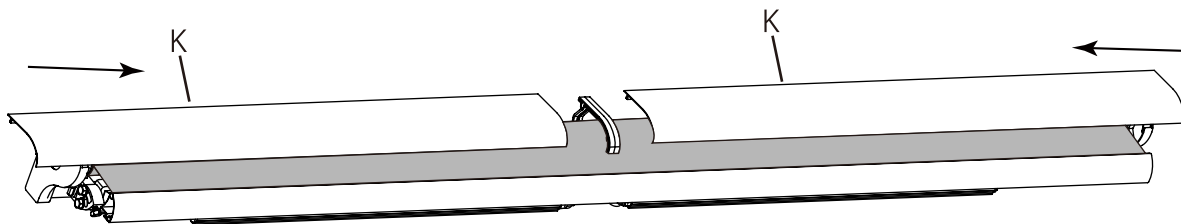
Darstellung ohne AA-Abschnitt zum besseren Verständnis.




Biegen Sie den Motorstift

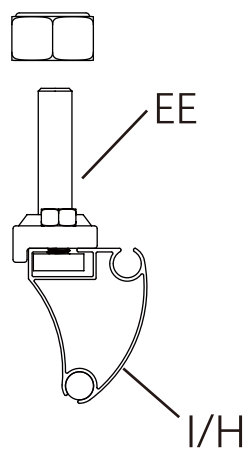
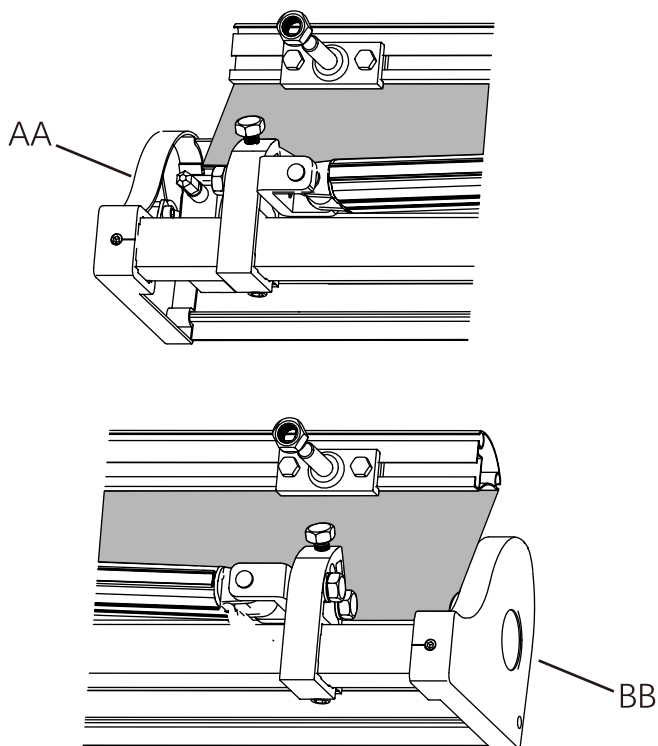
Einsetzen des Motorstiftes

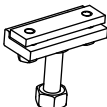
Installieren Sie den Regenschutz.



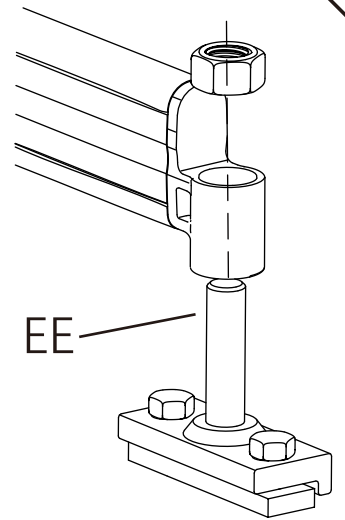
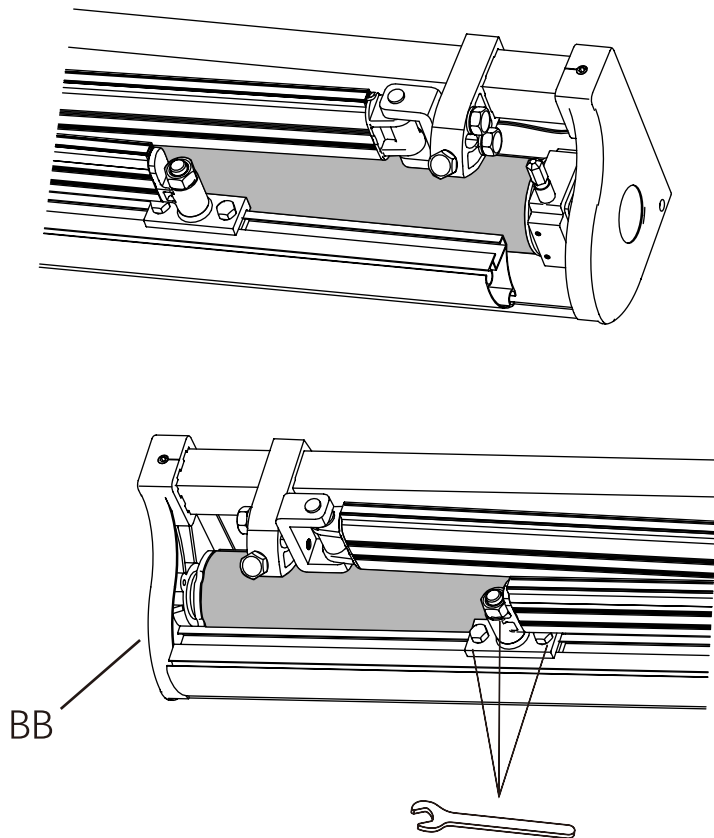
(16)		x2
	4x16	

Stecken Sie den Stecker in die vordere Leiste.



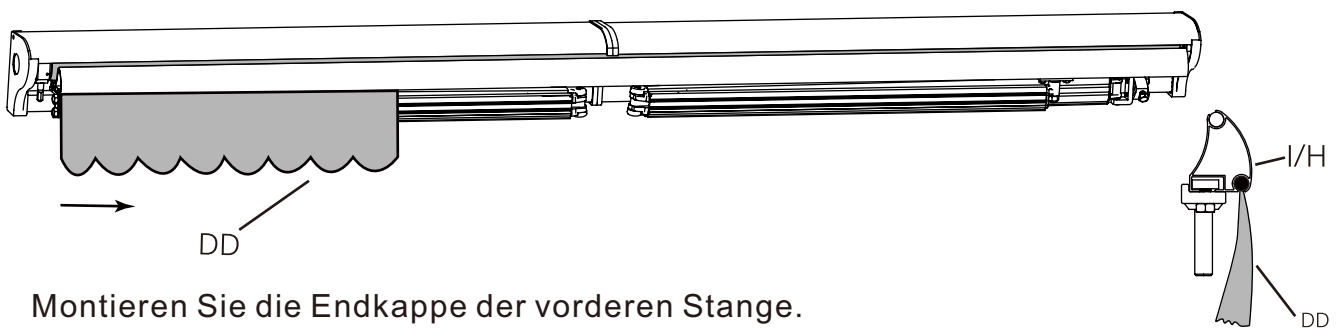
EE		x2
----	---	----

Befestigen Sie das Verbindungsstück.

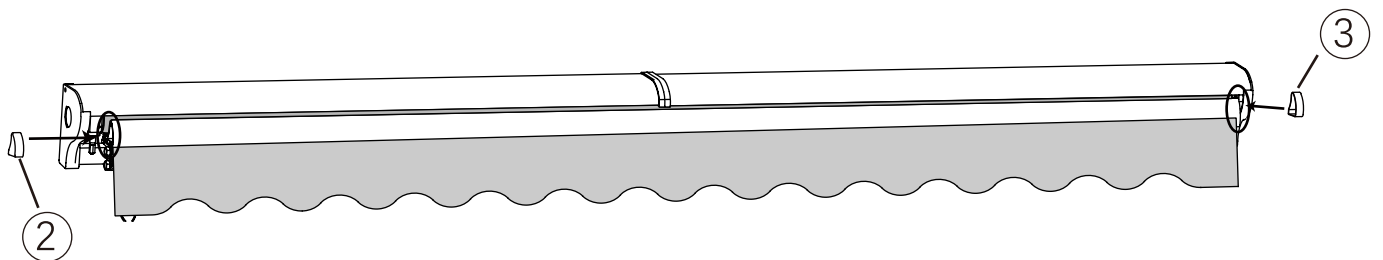


Ziehen Sie die Schrauben mit Handwerkzeugen fest an, aber nicht zu fest.

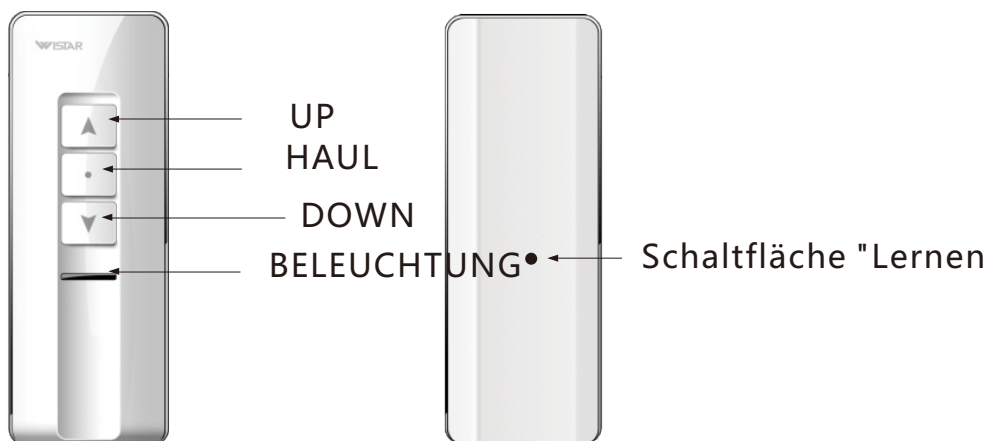
Bringen Sie den vorderen Balkenstoff an.



Montieren Sie die Endkappe der vorderen Stange.



1. beschreibung der fernbedienung.



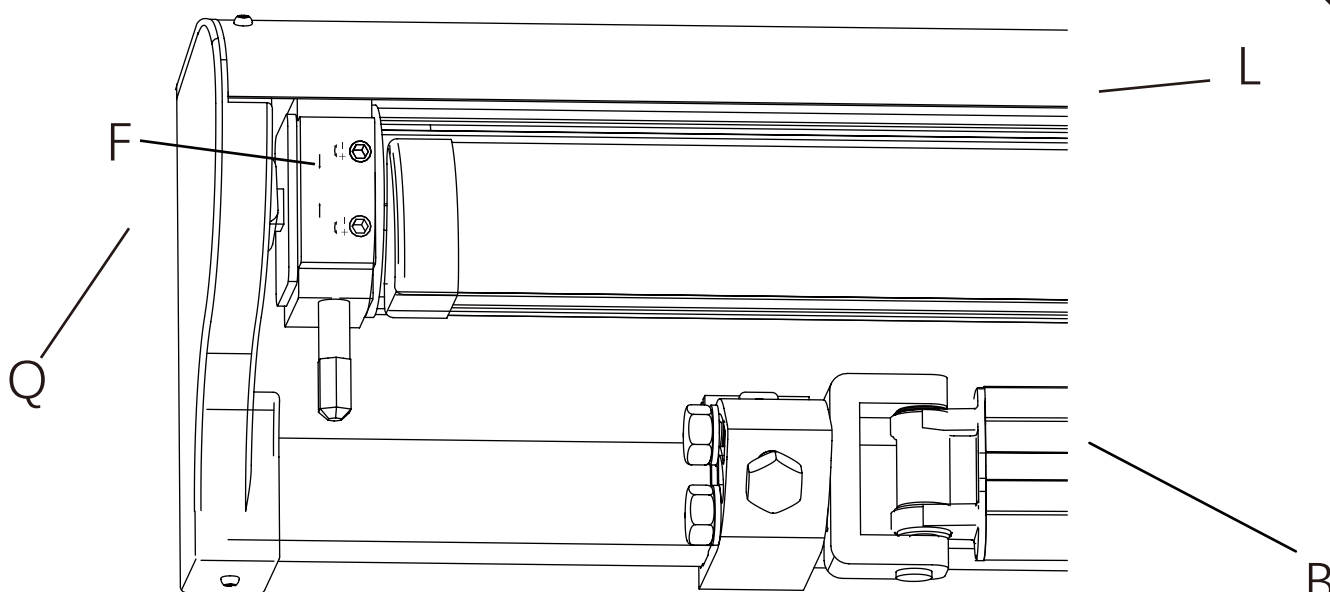
2. Technische Daten

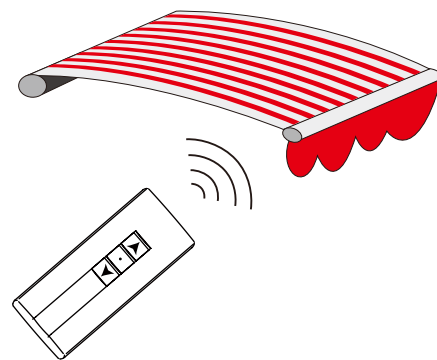
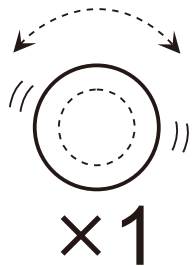
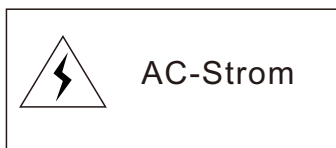
- Stromversorgung: ausschließlich 3V CR2032 Typ
- Betriebstemperatur: -10 C bis +60 C (LCD-Sender)
- Betriebstemperatur: -20 C bis +60 C (nicht LCD-Sender)
- Stromstärke: $\leq 12\text{mA}$
- Code: Scroll Code
- Frequenz: 433.92MHz

3. Programmierung des Codes

01. Einkanalssender

Drücken Sie die Aufwärts- und Abwärtstaste gleichzeitig einmal und dann die Stoptaste einmal.

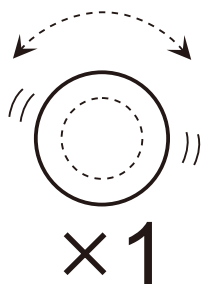
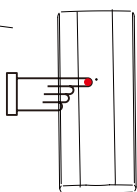




1) Wenn der Motor gezündet wird, vibriert er.

U

x1

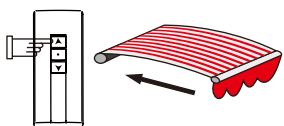


2) Drücken Sie die Lerntaste einmal und der Motor vibriert wieder.

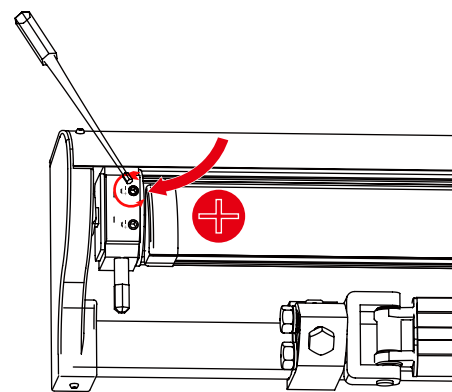
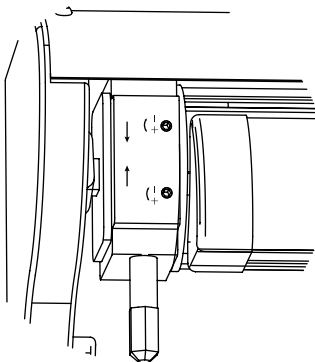
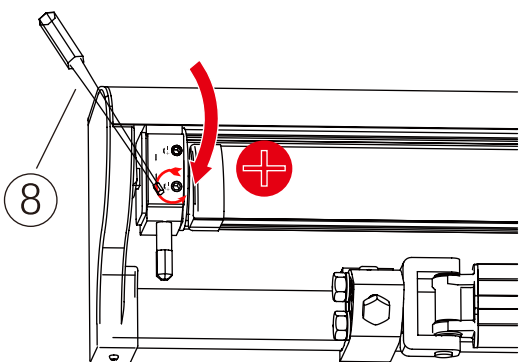
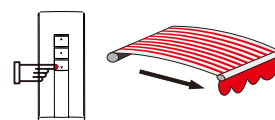
3) Die Fernsteuerung kann die Markise steuern.

Hinweis: a) Die Programmierstromversorgung ist nur für Rohrmotoren anwendbar, die keine Sendercodes erhalten haben. (b) Wenn der Motor bereits einen Sendercode erhalten hat, kann er keinen weiteren Sendercode erhalten. Sie können ihn jedoch ausschalten, den Motor nach 5 Sekunden wieder starten, ihn dann 3 Mal aus- und wieder einschalten, und der Motor wird jedes Mal vibrieren. Sie können also eine Programmierung vornehmen.

Öffnen, zum Schließen der Markise die Aufwärtstaste drücken



Öffnen, drücken Sie die Abwärtstaste, um die Markise zu öffnen,



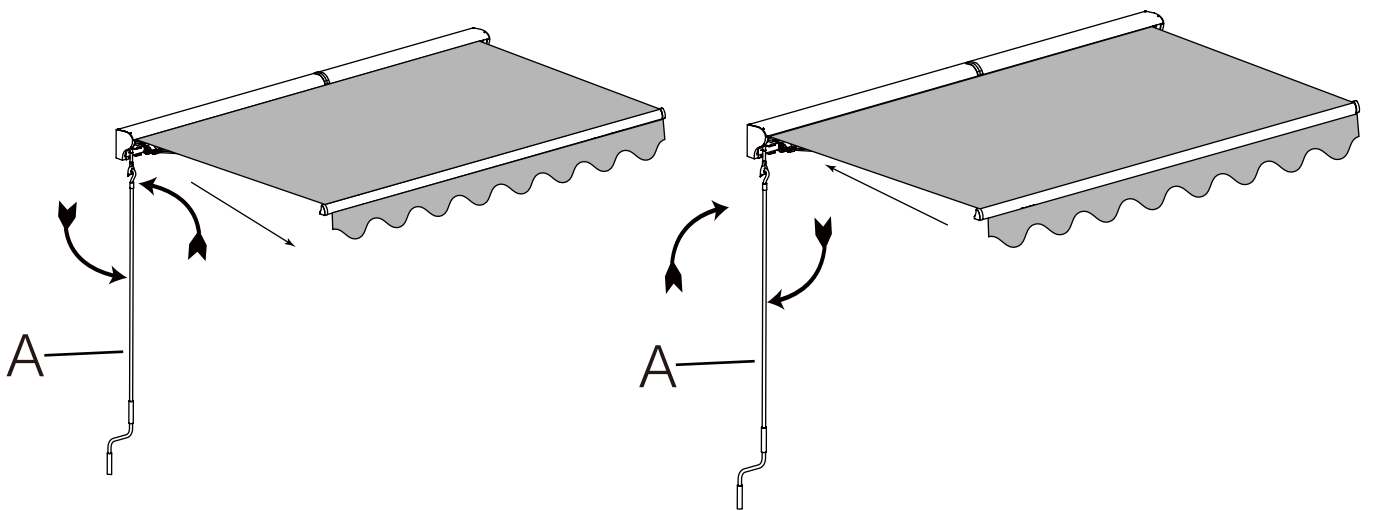
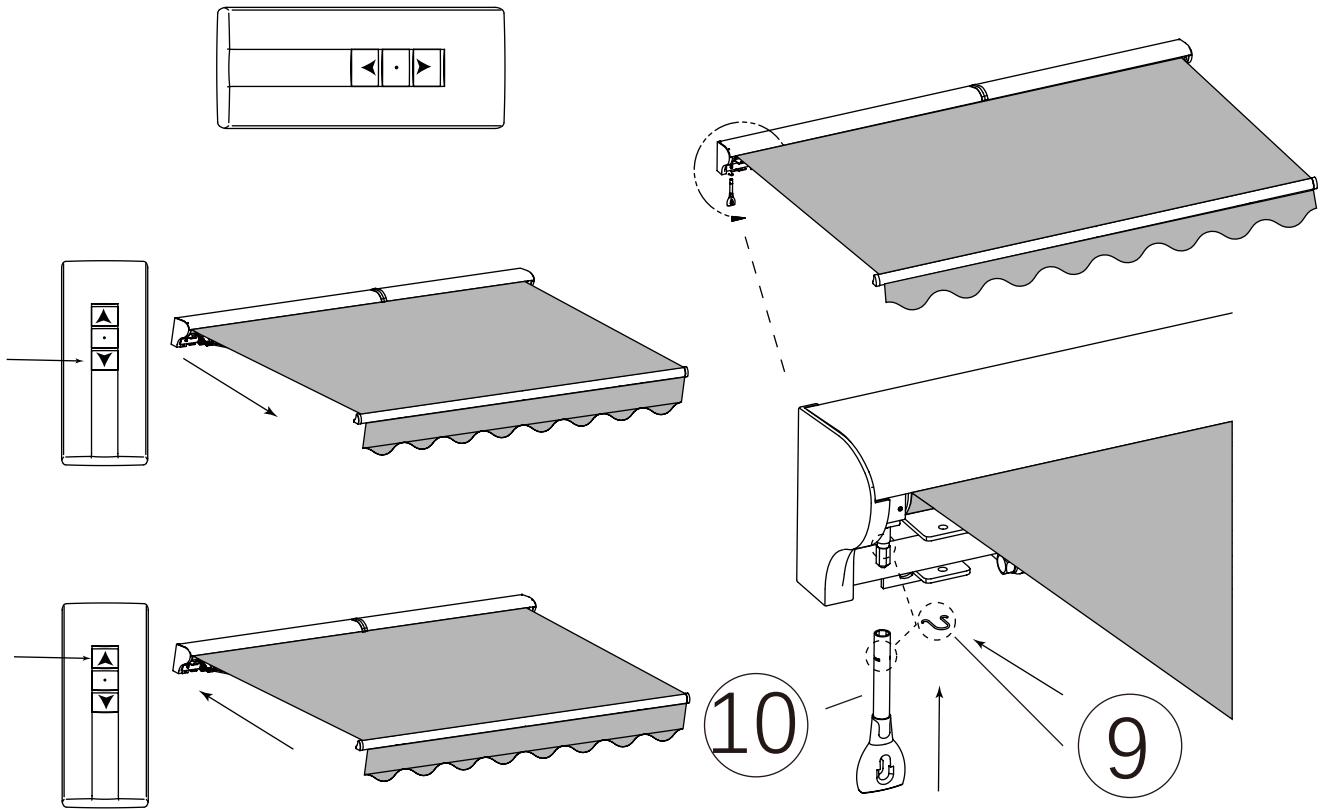
Wenn die Schließposition nach innen verstellt werden muss, stellen Sie bitte die Spitzmutter auf "+".

Wenn Sie die Öffnungsposition nach außen verstellen müssen, stellen Sie bitte die Spitzmutter auf "+".



Stellen Sie die Sicherungsmutter nicht ein, wenn der Motor stillsteht und sich nicht dreht.

Stellen Sie die Sicherungsmutter nicht ein, wenn der Motor stillsteht und sich nicht dreht,



Vorbereitungen

Achten Sie darauf, dass während der Montage keine Kinder und Haustiere anwesend sind. Sie könnten sich an herausgelegten Teilen oder Werkzeugen verletzen.

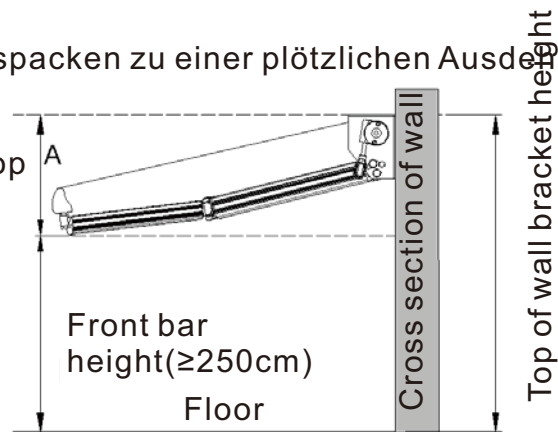
Nehmen Sie die Markise vorsichtig aus dem Karton und entfernen Sie die Styroporschützer von der Markise. Entfernen Sie die Plastiktüten und den Plastikschild von der Markise und legen Sie die Markise vorsichtig beiseite, um zu vermeiden, dass sie während der Montage durch Kratzer oder anderweitig beschädigt oder verschmutzt wird. Überprüfen Sie die Anzahl der Teile in der Verpackung, ob die Packliste Anforderungen, die Qualität der Teile Verfügbarkeit Fragen, wenn Fragen, wenden Sie sich bitte an den Lieferanten.

⚠ Seien Sie sich bewusst, dass es beim Auspacken zu einer plötzlichen Ausdehnung kommen kann.

Für die Montage benötigte Werkzeuge:

- ✓ Bohrer
- ✓ Mauerwerksbohrer, 14 mm
- ✓ Wasserwaage
- ✓ Schraubenschlüssel
- ✓ Stehleiter
- ✓ Maßband
- ✓ Kreide oder Markierstift
- ✓ Holzhammer

Total Drop



⚠ Montage

Montage an einer Beton- oder Ziegelwand

Die Markisen dürfen nur an einer Stahlbetonwand oder an massivem Mauerwerk in einer Höhe von mindestens 250 cm montiert werden. Wenn Sie sich nicht sicher sind, fragen Sie bitte einen Fachmann um Hilfe.

Wenn Ihr Gebäude eine Außenhülle hat (z. B. Isolierung, doppelte Ziegelwand, Verblendung), sollte die Installation von einem Fachmann vorgenommen werden.

Wenn die Wand/das Mauerwerk Risse aufweist, müssen Sie einen Fachmann hinzuziehen.

⚠ Vergewissern Sie sich, dass die Wand/Decke eben ist, damit die Halterung fest sitzt.



WARNUNG! Zwei gesunde Erwachsene mit technischen Kenntnissen sind erforderlich, um die Markise zu bewegen und zu installieren.

☞ Für eine sichere und reibungslose Montage sollten Sie sich vor dem Bohren der Löcher überlegen, wo Sie die Markise an der Wand befestigen wollen.

Schritt 1: Montageort wählen

Berücksichtigen Sie bei Ihrer Entscheidung, wo Sie die Markise montieren wollen, auch die Ausfallhöhe. Der Ausfallwinkel kann nach der Montage noch verändert werden. Der ideale Ausfallwinkel ist jedoch bereits werkseitig eingestellt und darf nur noch geringfügig verändert werden.

We recommend that the awning front bar has a height of at least 250cm when it is fully extended – if your local conditions do not allow this you can mount the awning in lower position. The horizontal centre line through the lower drilling holes must be 60cm higher than the axis of the front bar to meet the minimum tilt angle of 14°.

In the event you would like to mount it above a balcony door, you should leave a space of at least 20cm above the door frame if there is enough space available above the door frame.

Figure 1:

When choosing mounting location you must take tilt angle into consideration. We recommend that the awning front bar has a height of at least 250cm, total drop A must be at least 60cm. At a height of front bar at 250cm height of centre line through lower drilling holes is 310cm.

Schritt 2: Bohrlöcher anzeichnen

Nachdem Sie die Montageposition gewählt haben, können Sie anzeichnen, wo Sie die Löcher für die Halterungen bohren müssen. Zeichnen Sie eine horizontale Linie in der Höhe der gewünschten Stelle. Verwenden Sie dazu ein langes Kegelmaß, eine Wasserwaage und Kreide.

Wir haben bereits markiert, wo und mit welcher Breite die Halterungen angebracht werden müssen. Messen Sie die Breite zwischen den Halterungen und übertragen Sie sie auf die Linie an Ihrer Wand/Decke.

Halten Sie eine Halterung mit dem unteren Montageloch auf Höhe der Kreidelinie an die Wand (die richtige Position der Halterung entnehmen Sie bitte Abbildung 2) und markieren Sie die beiden Bohrlöcher. Benutzen Sie die Schablone "Halterung in der Mitte", indem Sie mit einem Markierungsstift durch die Löcher der Halterung fahren. Alternativ können Sie auch die Verpackung als Schablone für die Mittelmarkierung verwenden. Legen Sie einfach die Markise inklusive Halterungen auf die Verpackung und markieren Sie die Bohrlöcher. Dann halten Sie die Schablone in entsprechender Höhe an die Wand. Verwenden Sie eine Wasserwaage.

Achtung! Um Fehler zu vermeiden, messen Sie bitte die Lochgröße manuell aus. Die in dieser Anleitung angegebenen Maße dienen nur als Referenz.

Schritt 3: Löcher bohren

Verwenden Sie einen 14-mm-Mauerbohrer, um die Löcher für die Halterungen an den entsprechenden Markierungen an der Wand zu bohren. Die Löcher sollten 9 cm tief in der Wand sein und müssen durch festes Mauerwerk oder Beton gebohrt werden. Bohren Sie nicht durch Mörtel, da dieser keinen ausreichenden Halt für die Schwerlastanker bietet, die für die Installation der Markise erforderlich sind. Verwenden Sie einen 14-mm-Mauerbohrer, um 9 cm tiefe Löcher zu bohren.


Step 4: Insert Heavy Duty Anchors


After drilling, clean the holes by blowing them out. Then insert the heavy duty anchors into the holes.


Before inserting lose the nut, washer and clamp ring. Put them at the side, so that you have it at your fingertips.

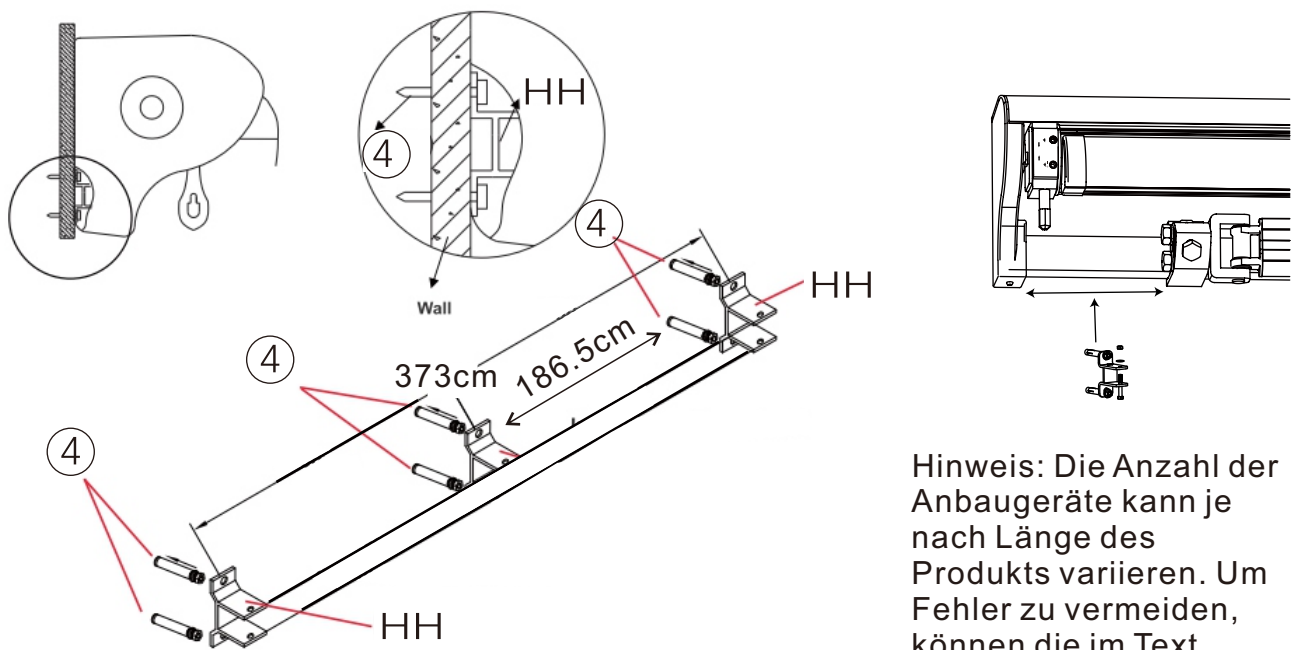
Step5: Hang on the awning

Insert the explosion screws, and left 0.5cm, hang on the awning, then tight the screws.

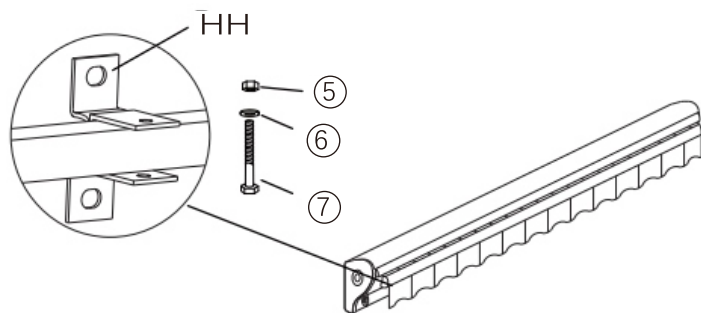
 Attention: If you find that there is no resistance when you pull out the nut of the heavy duty anchor, then the heavy duty anchor has not enough anchorage. You have to repeat the complete mounting with a minimum offset of 15cm!

 As soon as they are fully inserted, the brackets must sit firmly in the wall. If they are still moving in any form, you must further tighten it.

 Do not try to secure the wall brackets to loose wall stones or any surfaces that are not absolutely firm connected to brickwork.



Horizontale Installation an derselben Wand.



Hinweis: Die Anzahl der Anbaugeräte kann je nach Länge des Produkts variieren. Um Fehler zu vermeiden, können die im Text angegebenen Maße verzerrt sein, und die Installationsposition des Auslegers sollte in der angegebenen mittleren Position beibehalten werden.

Die Markisen sind nur als Schutz vor der Sonne gedacht. Sie dürfen nicht bei starkem Wind, Regen, Hagel oder Schnee benutzt werden. Ziehen Sie die Markise in solchen Fällen sofort ein.

Lassen Sie Kinder niemals mit der Markise spielen.

Vergewissern Sie sich, dass das Tuch gestrafft ist. Wenn das Tuch beim Ausfahren nicht gespannt ist, drehen Sie es bitte gegen den Uhrzeigersinn, bis es gespannt ist.

Stecken Sie beim Ein- und Ausfahren keine Gegenstände oder Körperteile, z. B. die Hände, in die Markise. Quetschgefahr!

Wenn die vordere Stange beim Einfahren die Rolle berührt, wie in der folgenden Abbildung dargestellt, versuchen Sie nicht, sie näher zu bringen, da sonst das Produkt beschädigt werden könnte.

Nehmen Sie die Kurbel nach dem Einstellen der Markise aus der Schlaufe und legen Sie sie an einen für Kinder unerreichbaren Ort, um zu vermeiden, dass sie mit der Markise spielen.

Wartung

Eine regelmäßige Wartung trägt nicht nur zu einer langen Lebensdauer bei, sondern ist auch wichtig für Ihre eigene Sicherheit und die Sicherheit anderer Personen.

Prüfen Sie regelmäßig, ob die Wandhalterungen fest sitzen, und befestigen Sie sie, wenn sie lose oder lasch sind.

- Prüfen Sie das Getriebe einmal in einem halben Jahr. Wenn Sie Schäden feststellen, stellen Sie die Nutzung der Markise ein, bis das Getriebe repariert oder erneuert wurde.

Überprüfen Sie die Schrauben und Muttern einmal im halben Jahr und befestigen Sie sie, wenn sie locker oder schlaff sind.

- Benutzen Sie die Markise sofort, wenn sie beschädigt ist oder nicht richtig angezogen ist.

Bitte wenden Sie sich für die Reparatur und bei weiteren Fragen an eine autorisierte Servicestelle.

Normalerweise ist es nicht notwendig, bewegliche Teile der Markise zu schmieren. Sollte es jedoch einmal notwendig sein, z. B. wegen abnormaler Geräusche oder weil das Ausfahren schwierig ist, verwenden Sie nur Schmiermittel, die für Kunststoffe geeignet sind, keine Schmiermittel auf Erdölbasis.

Verwenden Sie einen an der Sprühdüse befestigten Strohhalm. Schmieren Sie großzügig den Bereich zwischen dem Ende des Rollenrohrs und dem Endbügel (Drehzapfen). Achten Sie darauf, dass Sie nicht zu viel auf den Stoff sprühen.

Reinigung

Rahmen: Im Laufe der Zeit sammeln sich Staub und Schmutz auf dem Rahmen an, der regelmäßig gereinigt werden muss, um sein Aussehen zu erhalten.

Zur Reinigung des Rahmens kann ein mildes Reinigungsspray oder ein Wasser-Reinigungsmittel-Gemisch verwendet werden. Wischen Sie den Staub mit einem feuchten Tuch ab. Verwenden Sie keine aggressiven Reinigungsmittel, um z. B. Ölrückstände zu entfernen.

Bespannung: Reinigen Sie den Stoff alle sechs Monate.

Verwenden Sie nur natürliche Seife, niemals chemische Reinigungsmittel. Das Wasser sollte kalt bis lauwarm sein. Lassen Sie den Stoff vollständig trocknen. Verwenden Sie zum Trocknen keine Heizgeräte wie z. B. einen Haartrockner.

Demontage

Wenn Sie die Markise nicht mehr benutzen wollen oder sie eines Tages entsorgen wollen, müssen Sie sie abbauen.

Achtung! Für diesen Schritt sind mindestens zwei gesunde Erwachsene erforderlich. Ziehen Sie die Markise vollständig ein, bevor Sie mit der Demontage beginnen. Binden Sie die Arme der Markise zusammen, um ein ungewolltes Ausfahren zu vermeiden. Dies könnte zu Schäden und Verletzungen führen. Sie können das Schutzband verwenden, das beim Kauf an der Markise angebracht war.

- Befolgen Sie die Montageanweisungen in umgekehrter Reihenfolge, um die Markise zu demontieren.

Achten Sie darauf, dass die Bohrlöcher in der Wand fachgerecht abgedichtet werden. Achtung! Sicherheitshinweise und Anweisungen müssen auch bei der Demontage beachtet werden.

Lagerung

Wenn Sie die Markise über einen längeren Zeitraum nicht benutzen wollen, empfiehlt es sich, die Markise aus den Halterungen zu nehmen und zu lagern.

Achten Sie darauf, dass das Tuch vor der Lagerung vollständig trocken ist. Die Lagerung eines nassen Tuches kann zu Flecken und Schäden führen.

- Lagern Sie die Markise an einem trockenen und sicheren Ort, der für Kinder unerreikbaar ist.

Entsorgung

Entsorgen Sie diese Markise nicht mit dem Hausmüll. Um mögliche Schäden für die Umwelt oder die menschliche Gesundheit durch unkontrollierte Abfallentsorgung zu vermeiden, recyceln Sie es verantwortungsvoll, um die nachhaltige

Wiederverwendung von Materialressourcen zu fördern. Um Ihr gebrauchtes Gerät zurückzugeben, nutzen Sie bitte die Rückgabe- und Sammelsysteme oder wenden Sie sich an den Händler, bei dem Sie das Produkt gekauft haben. Dieser kann das Produkt einem umweltgerechten Recycling zuführen. Entsorgen Sie das Verpackungsmaterial gemäß den örtlichen Richtlinien.

If you have any questions, please contact our customer care center.

Our contact details are below:

 001-877-644-9366

 customerservice@aosom.com

Imported by Aosom LLC


27150 SW Kinsman Rd Wilsonville, OR 97070 USA

MADE IN CHINA

US

Si tiene alguna pregunta, comuníquese con nuestro Centro de Atención al Cliente.

Nuestros datos de contacto son los siguientes:

 0034-931294512

 atencioncliente@aosom.es

IMPORTADOR:

SPANISH AOSOM, S.L.

C/ ROC GROS, Nº 15. 08550, ELS HOSTALETES DE BALENYÀ, SPAIN.

B66295775


WWW.AOSOM.ES

HECHO EN CHINA

ES

If you have any questions, please contact our customer care center.

Our contact details are below:

 416-792-6088

 customerservice@aosom.ca

Imported by Aosom Canada Inc.

7270 Woodbine Avenue, Unit 307, Markham,


Ontario Canada L3R 4B9

MADE IN CHINA

CA

Se tiver alguma dúvida, por favor contacte o nosso Centro de Atendimento ao Cliente.

Os nossos dados de contacto são os seguintes:

 0034-931294512 (SEG-SEX DAS 7:30H ÀS 16:30H)

 info@aosom.pt.

IMPORTADOR:

SPANISH AOSOM, S.L


C.ROC GROS N.15, 08550. ELS HOSTALETES DE BALENYÀ

WWW.AOSOM.PT

PT

Si vous avez la moindre question, veuillez contacter notre centre d'assistance à la clientèle.

Nos coordonnées sont les suivantes:

 416-792-6088

 customerservice@aosom.ca

Importé par Aosom Canada Inc.

7270 Woodbine Avenue, unité 307,

Markham, Ontario Canada L3R 4B9

Fabriqué en Chine

DE

Wenn Sie Fragen haben, wenden Sie sich bitte an unser Kundendienstzentrum.

Unsere Kontaktdaten stehen unten:

 0049-0(40)-88307530  service@aosom.de

ADRESSE DES IMPORTEURE:

MH Handel GmbH

Wendenstraße 309

D-20537 Hamburg

Germany

IN CHINA HERGESTELLT

IT

In caso di dubbio, si prega di contattare il nostro centro assistenza clienti.

I nostri dettagli di contatto sono di seguito:

 0039-0249471447  clienti@aosom.it

IMPORTATO DA:

AOSOM Italy srl

Centro Direzionale Milanofiori

Strada 1 Palazzo F1

20057 Assago (MI)

P.I.: 08567220960

FATTO IN CINA

If you have any questions, please contact our customer care center.

Our contact details are below:

 0044-800-240-4004

 enquiries@mhstar.co.uk

IMPORTER ADDRESS:

MH STAR UK LTD

Unit 27, Perivale Park,

Horsenden lane South

Perivale, UB6 7RH

MADE IN CHINA

UK

Si vous avez la moindre question, veuillez contacter notre centre d'assistance à la clientèle.

Nos coordonnées sont les suivantes:  0033-1-84166106  aosom@mhfrance.fr

Importé par: MH France 2, rue Maurice Hartmann 92130 Issy-les-Moulineaux

Fabriqué en Chine

France

FR



FR

**DONNEZ
OU
RECYCLEZ**



OU



OU



ASSOCIATION LIVRAISON DÉCHÈTERIE

Adresses sur quefairedemesdechets.fr