



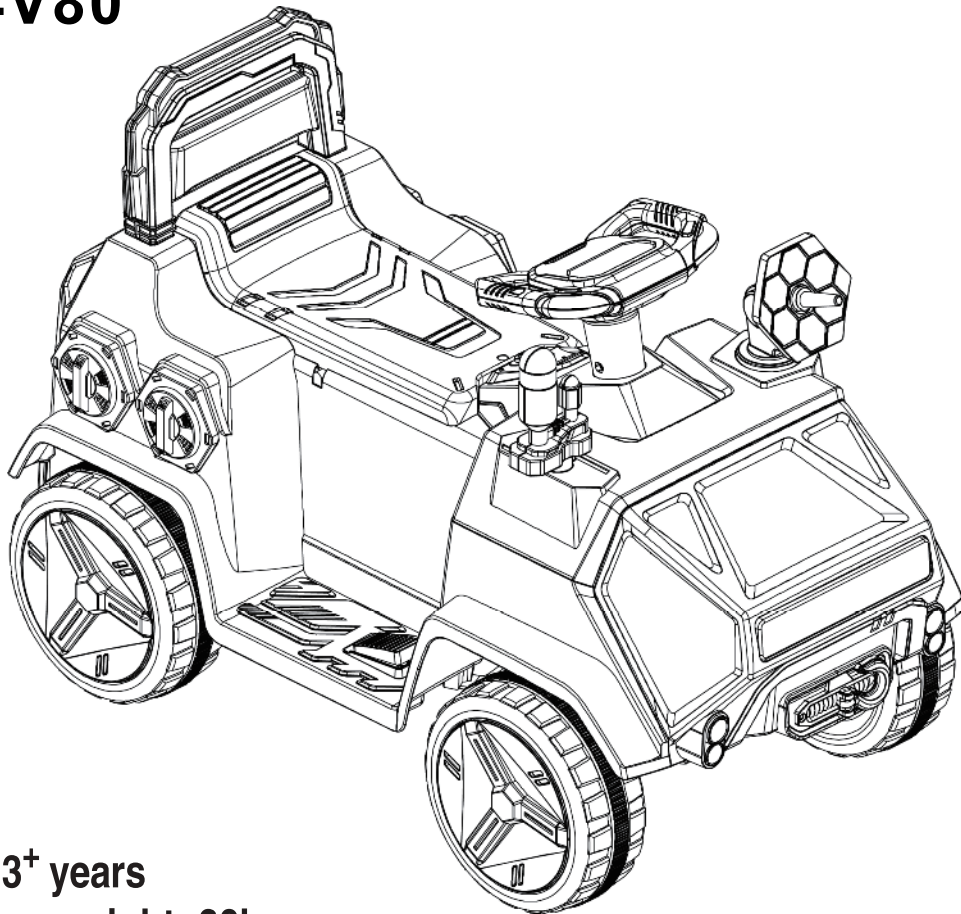
EN

**CHILDREN'S**

# ***ELECTRONIC TOY CAR***

IN240200186V01\_US\_CA

**370-314V80**



- Suitable for 3<sup>+</sup> years
- Maximum user weight: 30kg
- Adult assembly required

## ***OWNER'S MANUAL***

***Read and understand this entire manual before using!***

Please keep this manual for future reference as it contains important information.

Before first time use, charge the battery for at least 8-12 hours, no more than 20 hours.

# Table of Contents

---

1. About Your New Vehicle
2. Parts List
3. Parts Diagram
4. Assembly Steps
5. How To Operation Your Vehicle
6. Charging The Vehicle
7. Troubleshooting Guide
8. Maintaining Your Vehicle
9. Disposal Of Battery

## About Your New Vehicle

---

Thank you for purchasing our products, we want your child to enjoy this product for years to come. Keep these points in mind as you read this guide:

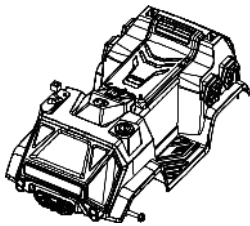
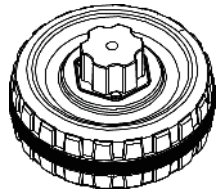
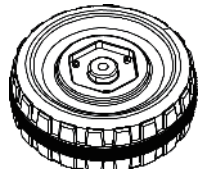
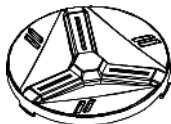
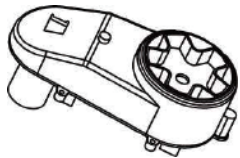
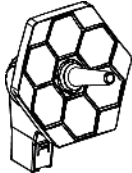
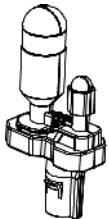
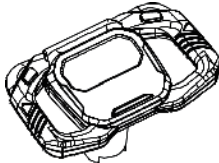
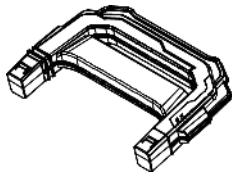
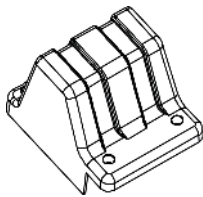
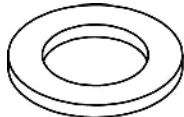
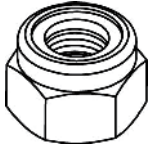
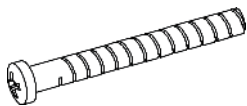
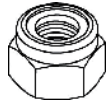
<b>Suitable age:</b>	3 <sup>+</sup> years	<b>Battery:</b>	DC 6V 4.5 AH *1
<b>Load Capacity:</b>	Under30Kg	<b>Size of car:</b>	765*415*485mm
<b>Speed:</b>	2.5Km/h		
<b>Material:</b>	PP	<b>Optimum Temperature:</b>	Below 40°C Avoid to use under burning sun
<b>Charger:</b>	Input: Shown on the charger	<b>Charging time:</b>	8-12 hours, at most 20 hours
	Output: DC 6V	<b>Fuse:</b>	F5A, Self-resetting
	Current: DC 0.5A	<b>Operating life:</b>	12 months to 18 months

### **WARNING!**

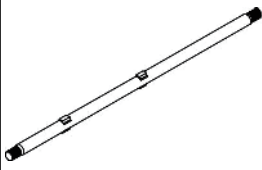
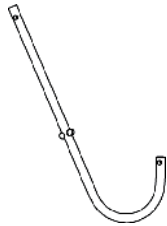
**FOR THE SAFETY OF YOUR CHILD, PLEASE READ ALL WARNINGS AND ASSEMBLY/USE INSTRUCTIONS. KEEP THIS GUIDE FOR FUTURE REFERENCE.**

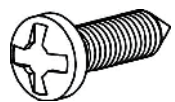
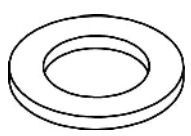
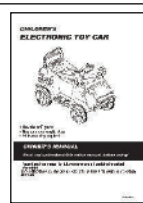
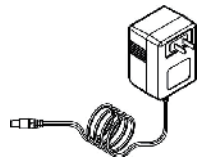
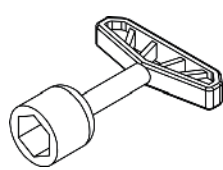
- **ADULT ASSEMBLY REQUIRED.** The product contains small parts, which are for adult assembly only. Keep small children away when assembling.
- Always remove protective material and poly bags and dispose before assembly.

# Parts List

PART NO	PART NAME	PICTURE	Qty (pcs)	REMARKS	PART NO	PART NAME	PICTURE	Qty (pcs)	REMARKS
1	Vehicle body		1		2	Driving wheel		1	
3	Wheel		3		4	Wheel hub		4	
5	Gear box		1		6	Radar		1	
7	Rocket		1		8	Steering wheel		1	
9	Backrest		1		10	Anti falling part		1	
11	Washer		8	Placed in the rear and front axle	12	Nut		4	Placed in the rear and front axle
13	Bolt		1	Placed on the steering wheel	14	M5 Nut		1	Placed on the steering wheel

# Parts List

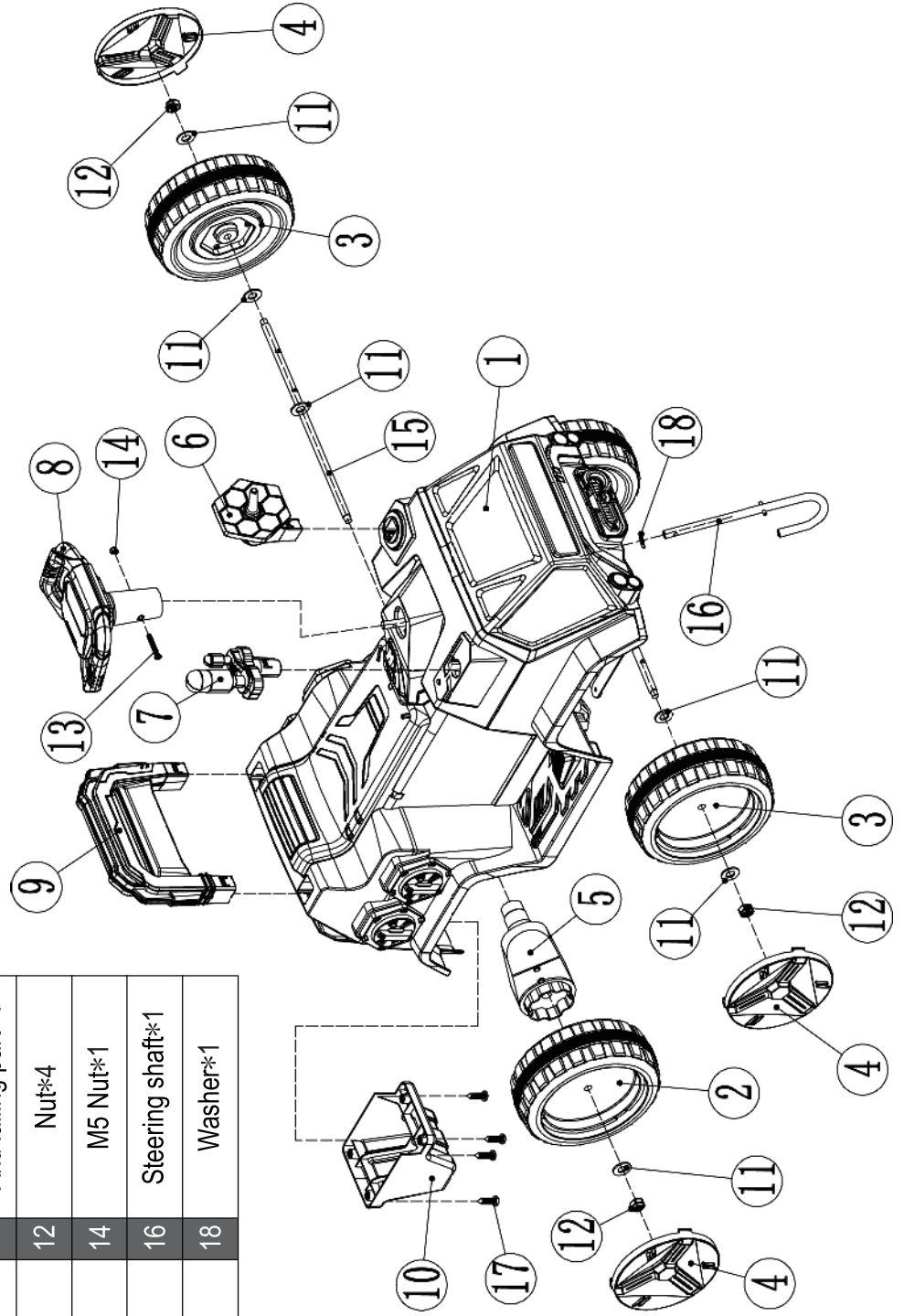
PART NO	PART NAME	PICTURE	Qty (pcs)	REMARKS	PART NO	PART NAME	PICTURE	Qty (pcs)	REMARKS
15	Rear axle		1		16	Steering shaft		1	

Assembly package									
PART NO	PART NAME	PICTURE	Qty (pcs)	REMARKS	PART NO	PART NAME	PICTURE	Qty (pcs)	REMARKS
17	Screw		4		18	Washer		1	
19	Instruction manual		1		20	Charger		1	
21	Spanner		2						

# Parts Diagram

**NOTE:** Some Parts Shown are assembled on both sides of vehicle

1	Vehicle body *1	2	Driving wheel*1
3	Wheel*3	4	Wheel hub*4
5	Gear box*1	6	Radar*1
7	Rocket*1	8	Steering wheel*1
9	Backrest*1	10	Anti falling part*1
11	Washer*8	12	Nut*4
13	Bolt*1	14	M5 Nut*1
15	Rear axle*1	16	Steering shaft*1
17	Screw *4	18	Washer*1



## Tools Required



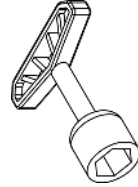
Screwdriver(not included)



Pliers(not included)



Hammer(not included)

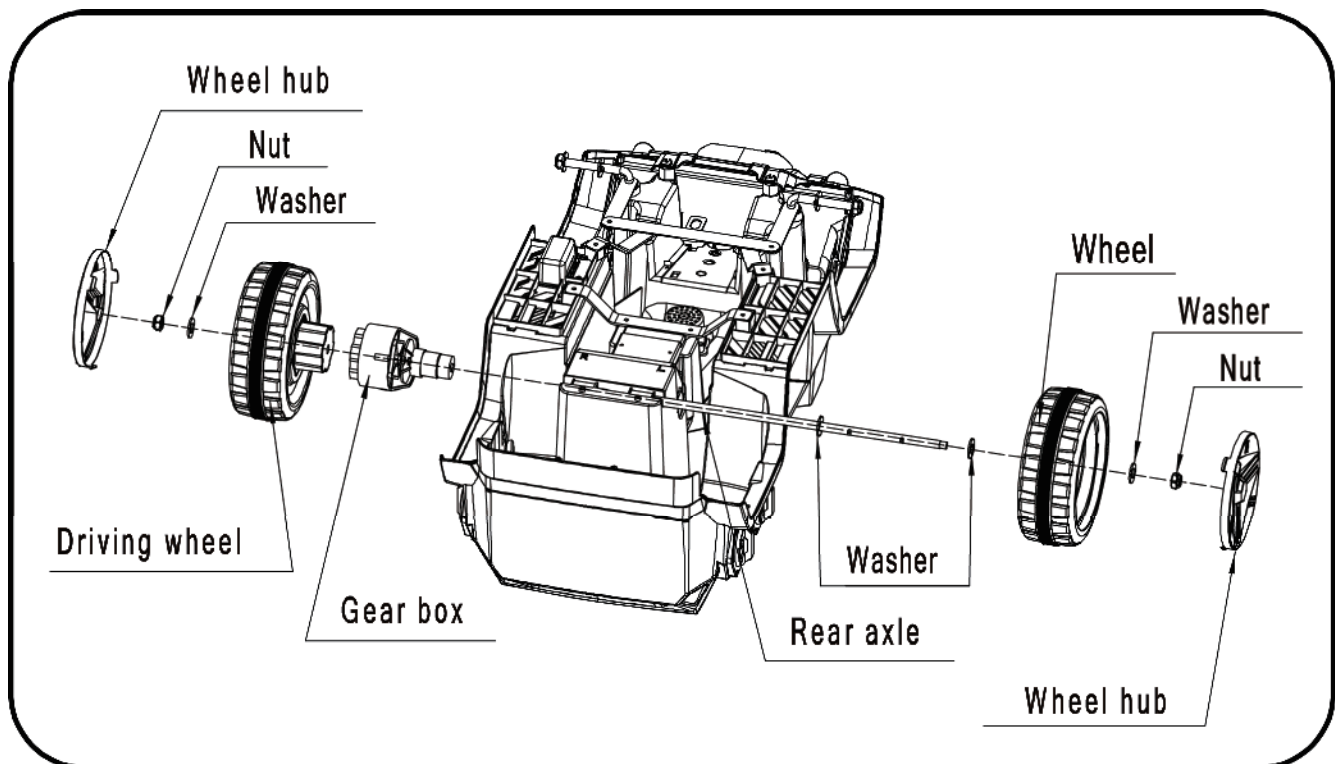


Spanner

# Assembly Steps

- Your new vehicle requires adult assembly. Please set aside at least 40 minutes for assembly. Children can be harmed by small parts, sharp edges and sharp points in the vehicle's unassembled state. Care should be taken in unpacking and assembly of the vehicle. Children should not handle parts, or help in assembly of the vehicle.
- Please identify all parts before assembly and save all packaging material until assembly is complete to ensure that no parts are discarded.
- Assembly tool for need: screwdriver(not included), pliers(not included), hammer(not included),Spanner.

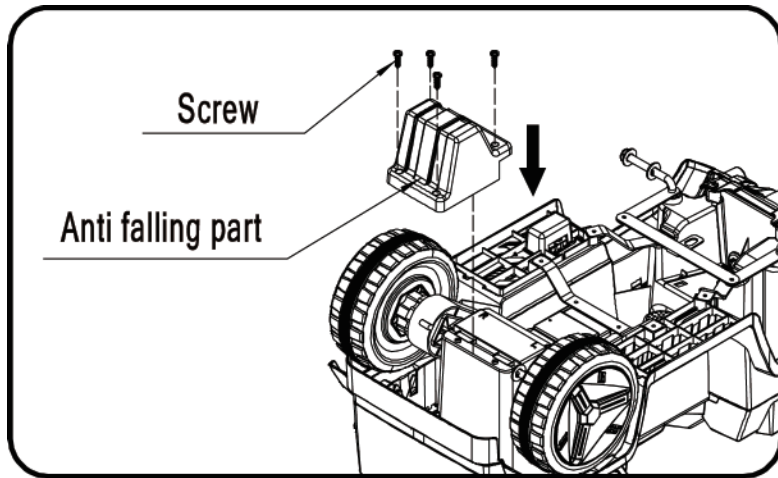
## 1. Install the back wheels .



- Turn over the car body, disconnect the rear axle parts,keep one washer, then put the rear axle through the car body.
- Put the gear box is arranged on the left.
- Put the driving wheel through the back axle and fix it with washer,nut and the wheel hub in turn.
- Put the washer,wheel and another washer through the back axle on the other side in turn,then fix them with nut and wheel hub.

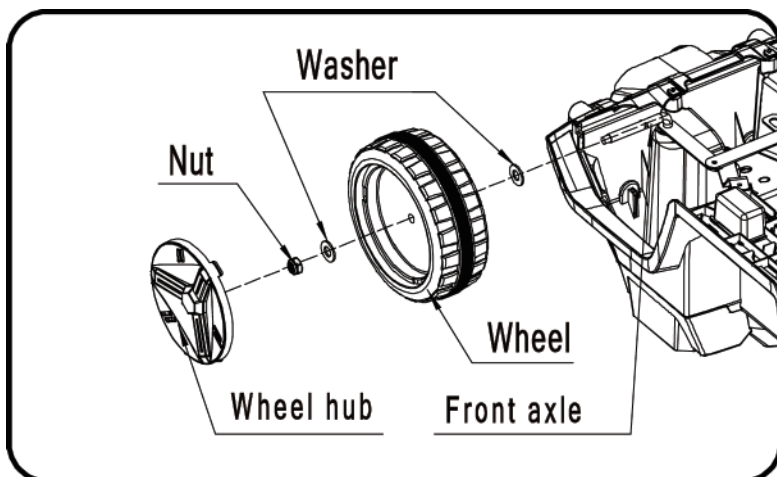
# Assembly Steps

## 2. Install the anti falling part.



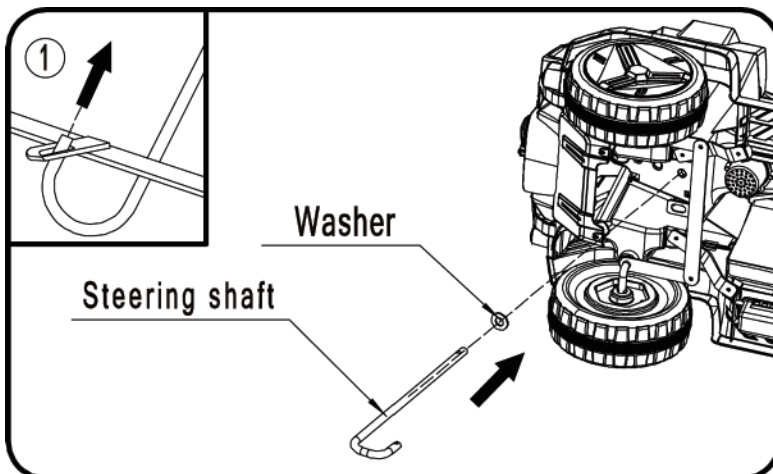
- As shown in the picture, install the anti falling part to the corresponding place, and fasten with the screws.

## 3. Install the front wheel.



- Remove the nut and washer on the front axle.
- As shown in the picture, fix the washer, wheel, washer and nut onto the axle in proper order.
- Fasten the nut with spanner.
- Fix the wheel hub.
- Fix another wheel on the other side.

## 4. Install the steering shaft.

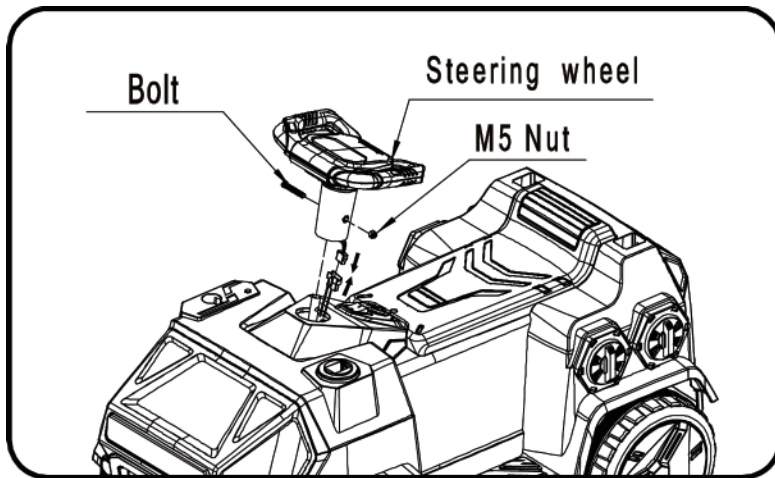


- Turn the vehicle on its side.
- Slide the washer onto the steering shaft from the straight end.
- Insert the straight end of steering shaft through the hole in the vehicle body and out through the hole in the dashboard.
- Insert the bent end into the hole in the front axle.

# Assembly Steps

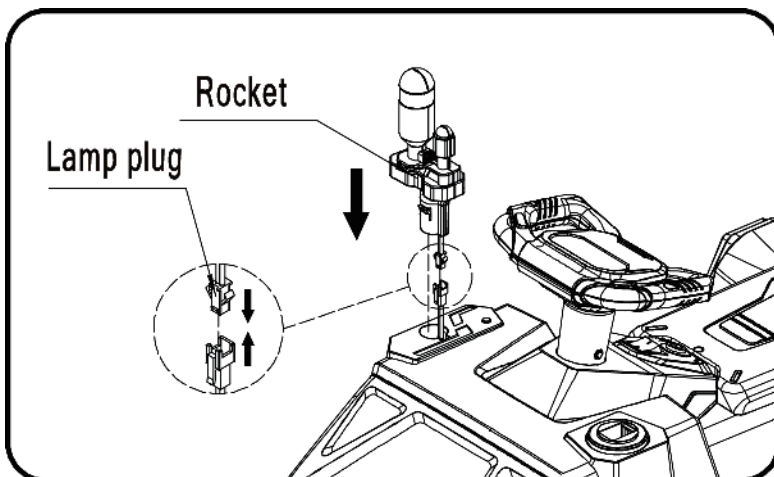
---

## 5. Install the steering wheel .



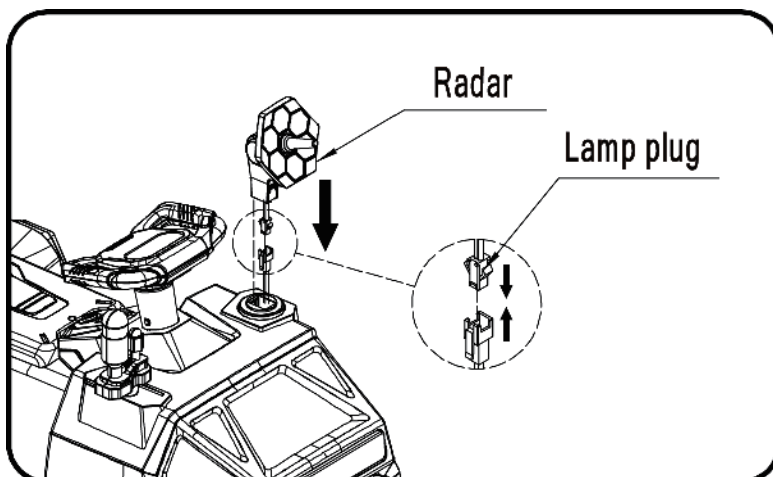
- As shown in the picture, remove the nut and bolt from the steering wheel, connect the steering wheel and gauge board middle connector.
- As shown in the picture, install the steering wheel, and fasten with nut and bolt.

## 6. Install the rocket.



- Unscrew the screw, and open the seat.
- Take out the parts .
- As shown in the picture, the plug butt, and press the rocket downward to fix it.

## 7. Install the radar.

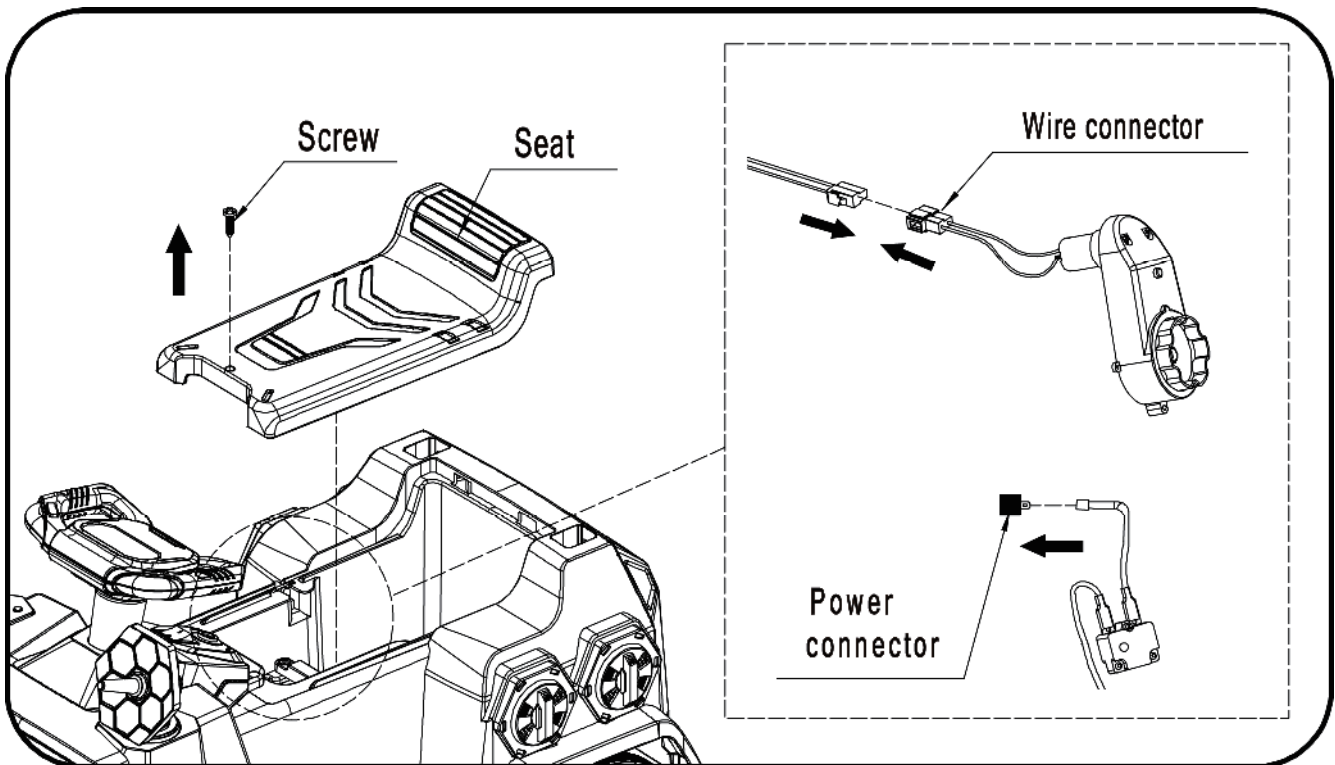


- As shown in the picture, the plug butt, and press the radar downward to fix it.



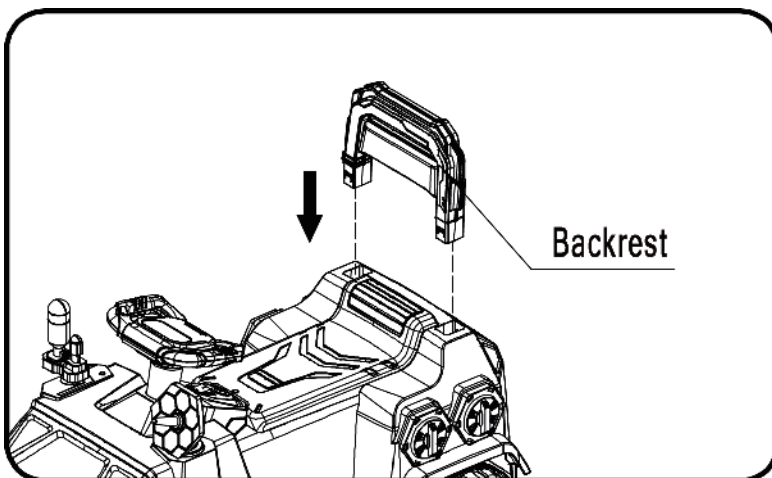
# Assembly Steps

## 8. Connect the power supply.



- As shown in the picture, unscrew the screw, and open the seat.
- Plug the wire connector into the motor connector.
- Plug the power connector into the terminal on battery as shown.
- Then install the seat to the corresponding place, and fasten with the screw.

## 9. Install the backrest.



- As shown in the picture, press the backrest downward to fix it.

# How To Operate Your Vehicle

---

## **WARNING!**

### **PREVENT INJURIES AND DEATHS:**

- **NEVER LEAVE CHILD UNATTENDED. DIRECT ADULT SUPERVISION IS REQUIRED.** Always keep child in view when child is in vehicle.
- Never use in roadways, near cars, on or near steep inclines or steps, swimming pools or other bodies of water.
- Always wear shoes.
- Always sit on the seat.
- Suitable for age 3<sup>+</sup> years; Maximum user weight is 30kgs.
- Not to be used in traffic.
- The battery on the vehicle is not replaceable.

### **Must confirm before using that following work which is already finished:**

- **Important!** Before using the vehicle for first time, the battery needs to be charged for 8 to 12 hours, no more than 20 hours. Only an adult can charge or recharge the battery.
- Finishing the complete car to assemble according to the steps that the manual described. The plug-in package of storage battery has already been inserted well, the power has already been put through.
- All places to need the screw guarantee the screw has already been locked.

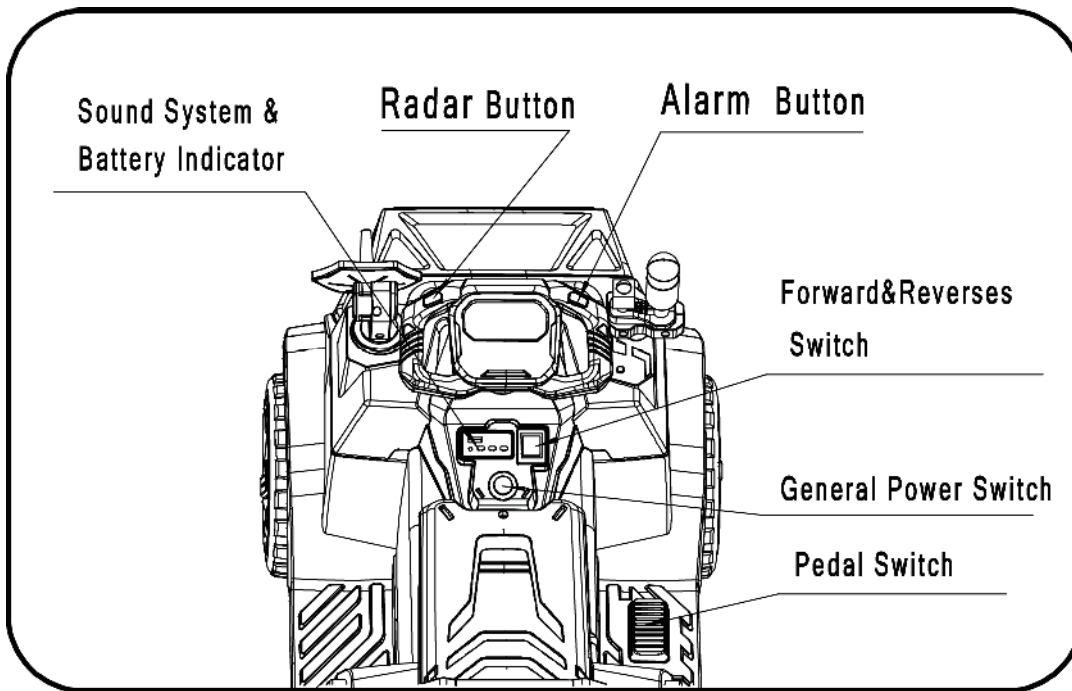
### **Rules for Safe Riding**

#### **READ THESE RULES ALOUD TO YOUR CHILD AND THEIR PLAYMATES AND MAKE SURE THEY UNDERSTAND THEM!**

- This toy is no break. Always wear a helmet and protective clothing when riding.
- Direct Adult Supervision Required.
- Keep Children within Safe Riding Areas.
- Never driving in roadway, near motor vehicles, on lawn space, on near steep inclines or steps, swimming pools or other bodies of water.
- Use the toy only on flat surfaces. such as inside your house, garden or playground.
- Never use in the dark. A child could encounter unexpected obstacles and have an accident. Operate the vehicle only in the daytime or a well-lit area.
- It is not recommended to drive the vehicle on wet surfaces or on lopes of greater than 15 degrees.
- Do not use this vehicle outdoors when it is raining or snowing.
- Make sure you come to a complete stop before changing directions from forward to back.
- Please follow the correct weight and age limits allowed to drive this vehicle.
- It is prohibited to change the circuit or add other electric parts
- Inspect wires and connections of the vehicle periodically.
- In order to avoid accidents, please ensure the vehicle is safe before riding.
- Do not let any child touch the wheels or be near them when the car is moving .
- This vehicle has adjustable play seat belts. please instruct children how to tie the safety belt before using, guarantee the security.

# How To Operate Your Vehicle

Use Operation(Ensure the power switch has been turned on)



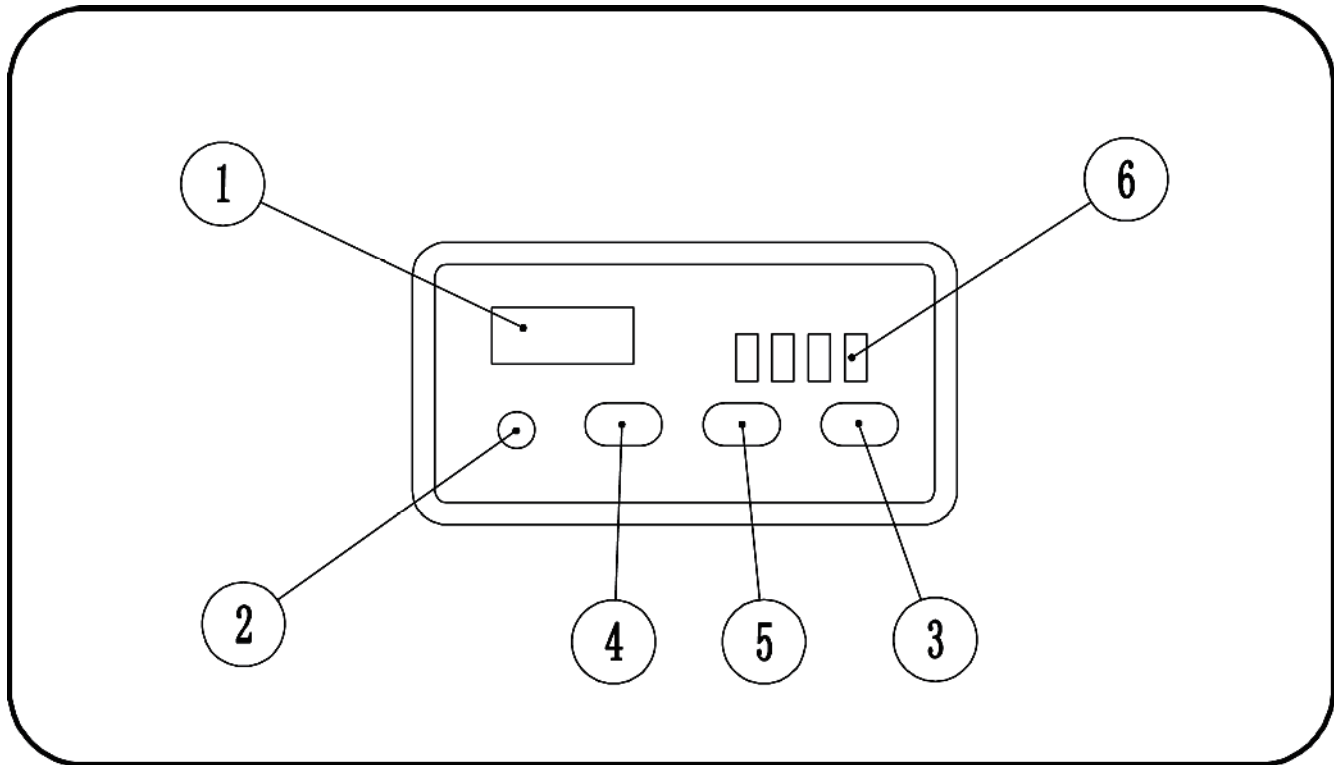
## IMPORTANT!

Always stop vehicle when changing the speed or direction to avoid damage the gear box and motor.

- (1) Turn on the general power switch first,the music can be played.
- (2) Forward  
Press the "Forward and Reverse switch" to the " ↑ " position.  
Press the pedal.  
The vehicle drives forward.
- (3) Stop  
Remove foot from the accelerator pedal to stop the car.
- (4) Reverse  
Press the "Forward and Reverse switch" to the " ↓ " position.  
Press the pedal.  
The vehicle drives backward.
- (5) You can radar sound by push radar button.
- (6) You can alarm sound by push alarm button.

# How To Operate Your Vehicle

## (9) How to use the Sound System & Battery Indicator



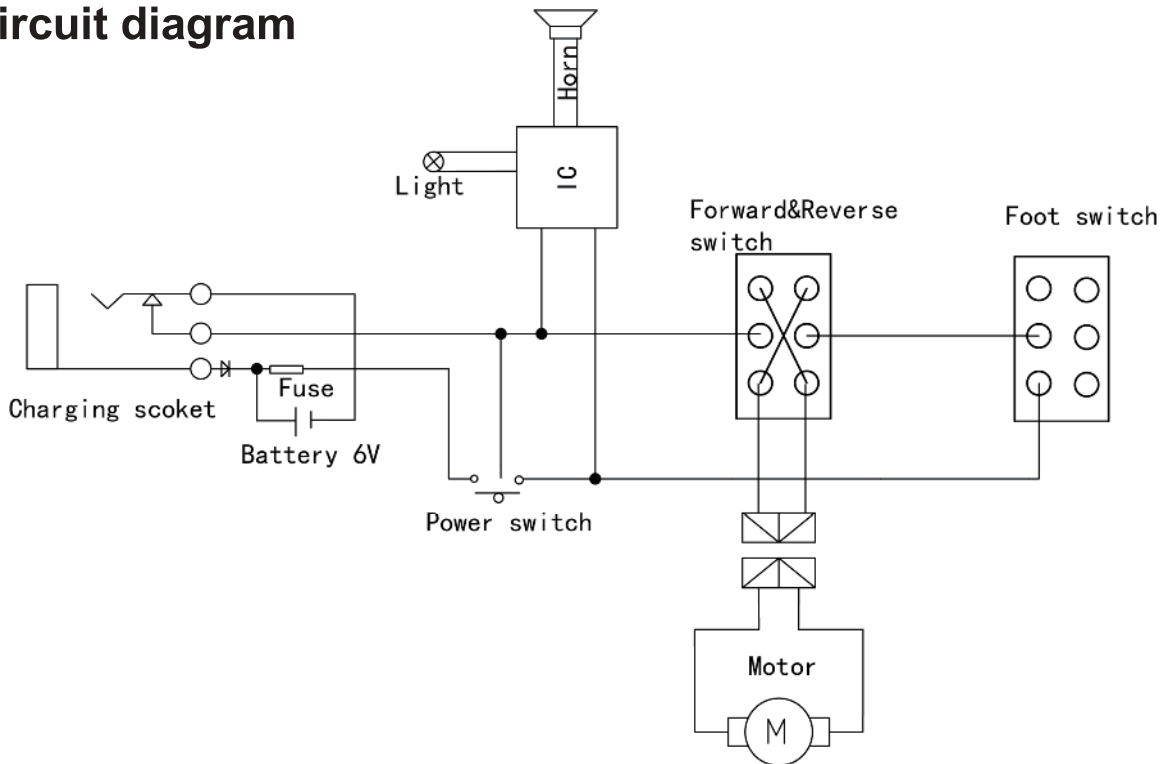
- 1. Storage device slot.
- 2. AUX Port.
- 3. SCAN Button: you can control the music play and pause / By long-Pressing Mode button: Convert the car between music play mode and smart connection mode.

**Note: The car could be searched and connected by & with the mobile in smart connection mode, to play mobile sound source.**

- 4. Horn Button: Press to play horn sound / By long-Pressing decrease volume.
- 5. Music Button: Press to play music / By long-Pressing increase volume.
- 6. Power Display: Shows battery power and charge level.

# How To Operate Your Vehicle

## Circuit diagram



## Charging Your Vehicle

### ONLY AN ADULT CAN CHARGE AND RECHARGE THE BATTERY!

- Non-rechargeable batteries are not to be recharged.
- Do not mix old and new batteries.
- Do not mix alkaline standard (carbon-zinc), or rechargeable (nickel-cadmium) batteries.
- Batteries are to be inserted with the correct polarity.
- Exhausted batteries are to be removed from the toy.
- The supply terminals are not to be short-circuited.
- Rechargeable batteries are only to be charged under adult supervision.
- Rechargeable batteries are to be removed from the toy before being charged.
- The transformers or battery charger used with the toy are to be regularly examined for damage to the cord, plug, enclosure and other parts, and in the event of such damage, they must not be used until that damage had been repaired.

## **WARNING!**

### • **PREVENT FIRE AND ELECTRIC SHOCK:**

- Use the only rechargeable battery and charger supplied with your vehicle. NEVER substitute the battery or the charger with another brand. Using another battery or charger may cause a fire or explosion.
- Do not use the battery or charger for any other product. Overheating, fire or explosion could occur.
- NEVER modify the electric circuit system. Tampering with the electric system may cause a shock, fire or explosion or may permanently damage the system.
- Do not allow direct contact between battery terminals. Fire or explosion can occur.
- Do not allow any type of liquid on the battery or its components.

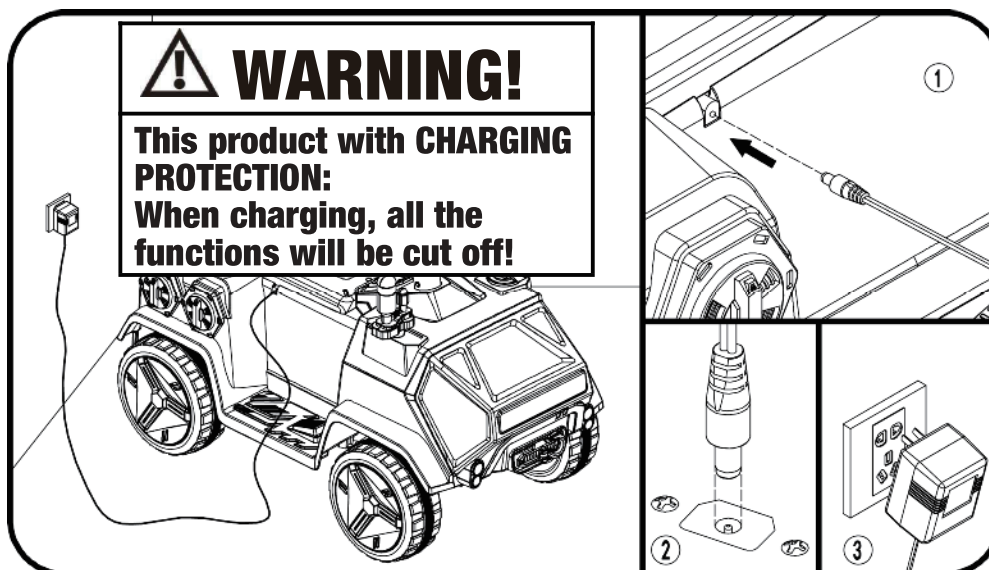
# Charging Your Vehicle

## **WARNING!**

### • **PREVENT FIRE AND ELECTRIC SHOCK:**

- Explosive gasses are created during charging. Do not charge near heat or flammable materials. Charge the battery in a well-ventilated area **ONLY**.
- **NEVER** pick up the battery by the wires or charger. Damage can occur to the battery and may cause a fire. Pick up the battery by the case **ONLY**.
- Charge the battery in a dry area **ONLY**.
- Battery posts, terminals and related accessories contain lead and lead compounds, chemicals known to the State of California to cause cancer and reproductive harm. **Wash hands after handling.**
- Do not open the battery. Battery contains lead acid and other materials that are toxic and corrosive.
- Do not open the charger. Exposed wiring and circuitry inside case may cause electric shock. Only adults may handle or charge the battery. **NEVER** allow child to handle or charge the battery. Battery is heavy and contains lead acid (electrolyte).
- Do not drop the battery. Permanent damage to the battery could occur or cause serious injury.
- Before charging the battery, check for wear or damage to the battery, charger, its supply cord and the connectors. **DO NOT** charge the battery if any damage to parts has occurred.
- Do not allow the battery to drain completely. Recharge the battery after each use or once a month if not used regularly.
- Do not charge battery upside down.
- Always secure the battery with the bracket. Battery can fall out and injure a child if vehicle tips over.
- A recommendation for adult supervision of young children.
- The toy should be used with caution since skill is required to avoid falls or collisions causing injury to the user or third parties.

- The charging input socket is **BELOW THE SEAT**.
- The **POWER SWITCH** must be turned in **OFF** position when charging.
- Before the first use, you should charge the battery for 8-12 hours. Do not recharge the battery for more than 20 hours to avoid overheating the charger.
- When the vehicle begins to run slowly, recharge the battery.
- After each use or once a month minimum recharge time as 8 to 12 hours, no more than 20 hours.



1. Find The charging input socket below the seat;
2. Plug the charger port into the input socket;
3. Plug the charger plug into a wall outlet. The battery will begin charging.

# Troubleshooting Guide

---

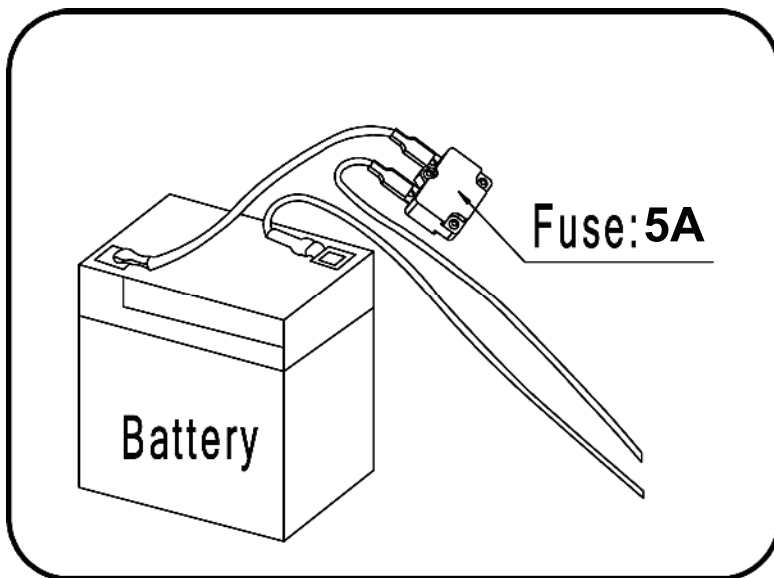
## ■ PROBLEM: The vehicle does not run

**PROBLEM CAUSE: The battery may low on power.**

After each use, or once a month minimum, charge the battery for 8-12 hours. Do not leave the battery on the charger for more than 20 hours.

**POSSIBLE CAUSE: Thermal fuse has tripped.**

The vehicle is equipped with a self-resetting fuse. When the vehicle is overloaded or operated incorrectly; the self-resetting fuse will be cut off for 5-20seconds before becoming operational again. The self-resetting fuse is under the seat (Refer to the picture.)



**To avoid the fuse cut off the power, follow these guidelines:**

- DO NOT overload the vehicle, Maximum weight allowed :30kg
- DO NOT tow anything behind the vehicle.
- DO NOT drive up steep slopes.
- DO NOT drive into fixed objects, which may cause the wheels to spin, causing the motor to overheat.
- DO NOT drive in very hot weather, components may overheat.
- DO NOT tamper with the electric system, Doing so may create a short circuit, causing the fuse to trip.

**POSSIBLE CAUSE: Wheel nuts are loose.**

If the nuts are not tight, the wheels will not engage the forward gears. Tighten the nut with the nut wrench.

**POSSIBLE CAUSE: Battery connector or wires are loose.**

Make Sure the battery connectors are firmly plugged in to each other.

**POSSIBLE CAUSE: Battery is dead.**

Have you properly maintained the battery according to the directions? Is the battery old? Your battery may need to be replaced.

**POSSIBLE CAUSE: Electric system is damaged.**

Water may have corroded the system, or loose dirt, gravel or sand might have jammed the switch.

**POSSIBLE CAUSE: Motor is damaged.**

The motor needs professional repair.

## ■ PROBLEM: The battery will not recharge.

**POSSIBLE CAUSE: Battery connector or adapter connector is loose.**

Make sure the battery connector and adapter connector are firmly plugged together.

**POSSIBLE CAUSE: Charger is not plugged in.**

Make sure the charger is plugged into the wall outlet and the power flow to the outlet is on.

**POSSIBLE CAUSE: Charger is not working.**

Is the charger warm while charging? If not, the charger may be broken and may need to be replaced.

# Troubleshooting Guide

---

## ■ **PROBLEM: The vehicle does not run very long.**

### **POSSIBLE CAUSE: Battery may be undercharged.**

You may not be charging the battery long enough. After each use, or once a month minimum, charge the battery for 8 to 12 hours. Do not leave the battery on the charger for more than 20 hours.

### **POSSIBLE CAUSE: Battery is old.**

The battery will eventually lose the ability to hold a charge. Depending on the amount of use, and varying conditions, the battery should operate for one to three years. Replace the battery with a new One.

## ■ **PROBLEM: Battery buzzes or gurgles when charging.**

This is normal and not a cause for concern. It may also be silent when charging, which is also normal.

## ■ **PROBLEM: Charger feels warm when recharging battery.**

This is normal and not a cause for concern.

# Maintaining Your Vehicle

---

- It is parents' responsibility to check main parts of the toy before using, Must regularly examine for potential hazard, such as the battery, charge, cable or cord, plug, screws are fastening enclosure of other parts and that in the event of such damage, the toy must not be until that damage had been properly removed.
- Make sure the plastic parts of the vehicle are not cracked or broken.
- Occasionally use a lightweight oil to lubricate moving parts such as wheels.
- Park the vehicle indoors or cover it with a tarp to protect it from wet weather.
- Keep the vehicle away from sources of heat, such as stoves and heaters. Plastic parts may melt.
- Recharge the battery after each use. Only an adult can handle the battery. Recharge the battery at least once a month when the vehicle Raider is not being used.
- Do not wash the vehicle with a hose. Do not wash the vehicle with soap and water. Do not drive the vehicle in rainy or snowy weather. Water will damage the motor, electric system and battery.
- Clean the vehicle with a soft, dry cloth. To restore shine to plastic parts, use a non-wax furniture polish. Do not use car wax. Do not use abrasive cleaners.
- Do not drive the vehicle in loose dirt, sand or fine gravel which could damage moving parts, motors or the electric system.
- When not using, all the electrical source should be turn off. Turn off the power switch and disconnect the battery connection.



# Disposal Of Battery

---

## Disposal Of Battery

- Your sealed lead-acid battery must be recycled or disposed of in an environmentally sound manner.
- Do not dispose of your lead-acid battery in a fire. The battery may explode or leak.
- Do not dispose of a lead-acid battery in your regular, household trash. The incineration, land filling or mixing of sealed lead-acid batteries with household trash is prohibited by law.
- Return an exhausted battery to your local approved lead-acid battery recycle, such as a local seller of automotive batteries.
- Contact your local waste management officials for other information regarding the environmentally sound recycling and disposal of lead-acid batteries.
- The battery must be charged only by adult .Please charge the product before using!
- The toy should not be connected to excessive powers (more than the quantity specified herein), and it should not be operated during charging process.
- Any rechargeable battery must only be charged under adult's supervision.
- Battery charger shall regularly check the wires, plugs. casing and other parts for damage and found damage should stop using and restored.
- Open the battery cover on the remote control, and put two pieces of batteries,paying attention to batteries polarity. Replace the battery cover and lock with screws (please replace the battery according to the above steps and should be done by adult) .
- All batteries should be inserted with the correct polarity.
- Non-rechargeable battery should not be charged, please remove any running-off battery from the toy.
- Do not use old and new batteries together, or mix different types of batteries.
- The battery charger used with the toy are to be regularly examined for damage to the cord, plug, enclosure and other parts, and in the event of such damage, they must not be used until that damage had been repaired.

Our products are suitable for

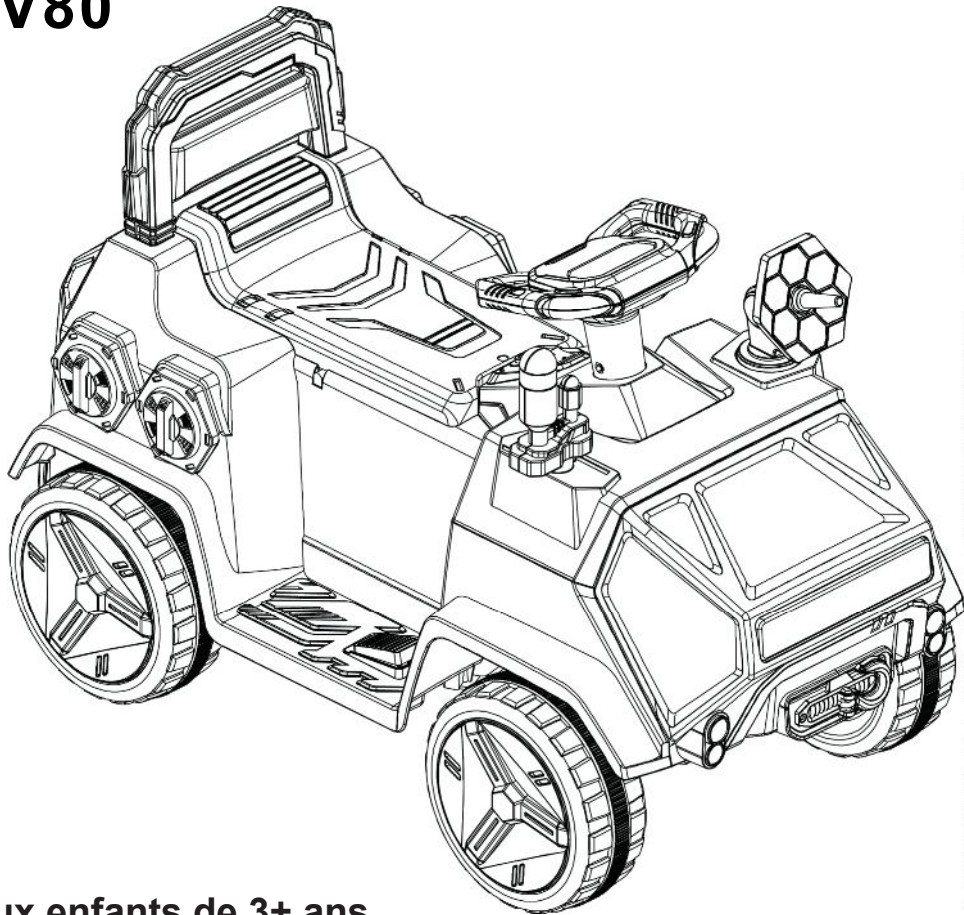
ASTM F963; GB6675,GB19865; EN71 and EN62115 standard.



# **VOITURE ÉLECTRONIQUE POUR ENFANT**

IN240200186V01\_US\_CA

**370-314V80**



- Convient aux enfants de 3+ ans
- Poids maximal de l'utilisateur : 30kg
- Assemblage par un adulte requis

## **MANUEL DE L'UTILISATEUR**

**Lisez et comprenez l'intégralité de ce manuel avant utilisation !**

**Veillez conserver ce manuel pour référence future car il contient des informations importantes.**

**Avant la première utilisation, chargez la batterie pendant au moins 8 à 12 heures, pas plus de 20 heures.**

# Table des matières

---

1. À propos de votre nouvelle moto
2. Liste des pièces
3. Schéma des pièces
4. Étapes d'assemblage
5. Comment conduire votre moto
6. Recharge du véhicule
7. Guide de dépannage
8. Entretien de votre véhicule
9. Mise au rebut de la batterie

## À propos de votre nouvelle moto

---

Nous vous remercions d'avoir acheté nos produits, nous voulons que votre enfant profite de ce produit pendant de nombreuses années. Gardez ces points à l'esprit lorsque vous lisez ce guide :

<b>Âge approprié :</b>	3+ ans	<b>Batterie :</b>	DC 6 V 4,5 AH *1
<b>Capacité de charge :</b>	Moins de 30Kg	<b>Taille de la moto :</b>	765*415*485mm
<b>Vitesse :</b>	2.5 Km/h		
<b>Matériel :</b>	PP	<b>Température optimale :</b>	Inférieure à 40°C Évitez d'utiliser sous un soleil brûlant
<b>Chargeur :</b>	Entrée : Indiquée sur le chargeur	<b>Durée de charge :</b>	8-12 heures, au maximum 20 heures
	Sortie : DC6V	<b>Fusible :</b>	F5A, à réarmement automatique
	Courant: DC 0,5A	<b>Durée de vie :</b>	12 à 18 mois

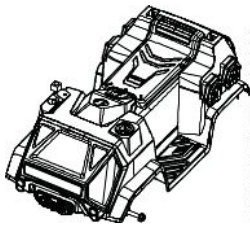
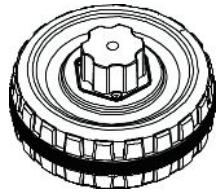

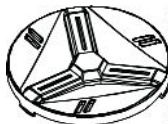
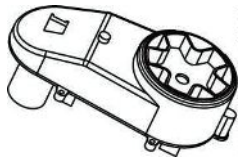
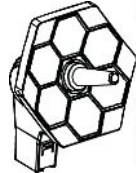
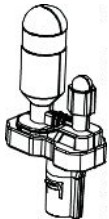
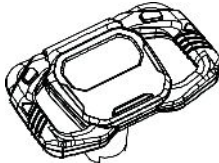
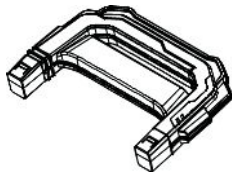

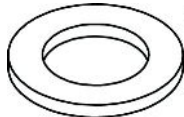

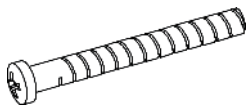
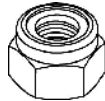


## **AVERTISSEMENT !**

**POUR LA SÉCURITÉ DE VOTRE ENFANT, VEUILLEZ LIRE TOUS LES AVERTISSEMENTS ET LES INSTRUCTIONS D'ASSEMBLAGE/D'UTILISATION. CONSERVEZ CE MANUEL POUR Y RÉFÉRER ULTERIEUREMENT.**

- **ASSEMBLAGE PAR UN ADULTE REQUIS.** Le produit contient de petites pièces réservées à l'assemblage par un adulte uniquement. Éloignez les petits enfants pendant l'assemblage.
- Retirez toujours les matériaux de protection et les sacs en polyéthylène et éliminez-les avant l'assemblage.


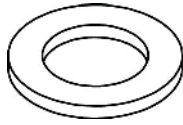

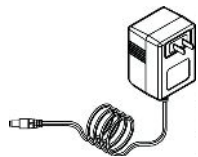
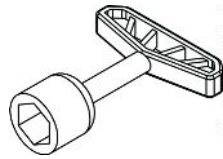
# Liste des pièces

PARTIE N°	PARTIE N° Désignation	IMAGE	Qté (pcs)	REMARQUES	PARTIE N°	PARTIE N° Désignation	IMAGE	Qté (pcs)	REMARQUES
1	Carrosserie du véhicule		1		2	Roue motrice		1	
3	Roue		3		4	Moyeu de roue		4	
5	Boîte de vitesse		1		6	Roue motrice		1	
7	Roquette		1		8	Volant		1	
9	Dossier		1		10	Pièce anti-chute		1	
11	Rondelle		8	Placé sur les essieux avant et arrière	12	Écrou		4	Placé sur les essieux avant et arrière
13	Boulon		1	Placé sur les essieux avant et arrière	14	Écrou M5		1	Placé sur le volant

# Liste des pièces

PARTIE N°	PARTIE N° Désignation	IMAGE	Qté (pcs)	REMARQUES	PARTIE N°	PARTIE N° Désignation	IMAGE	Qté (pcs)	REMARQUES
15	Roue arrière		1		16	Arbre de direction		1	

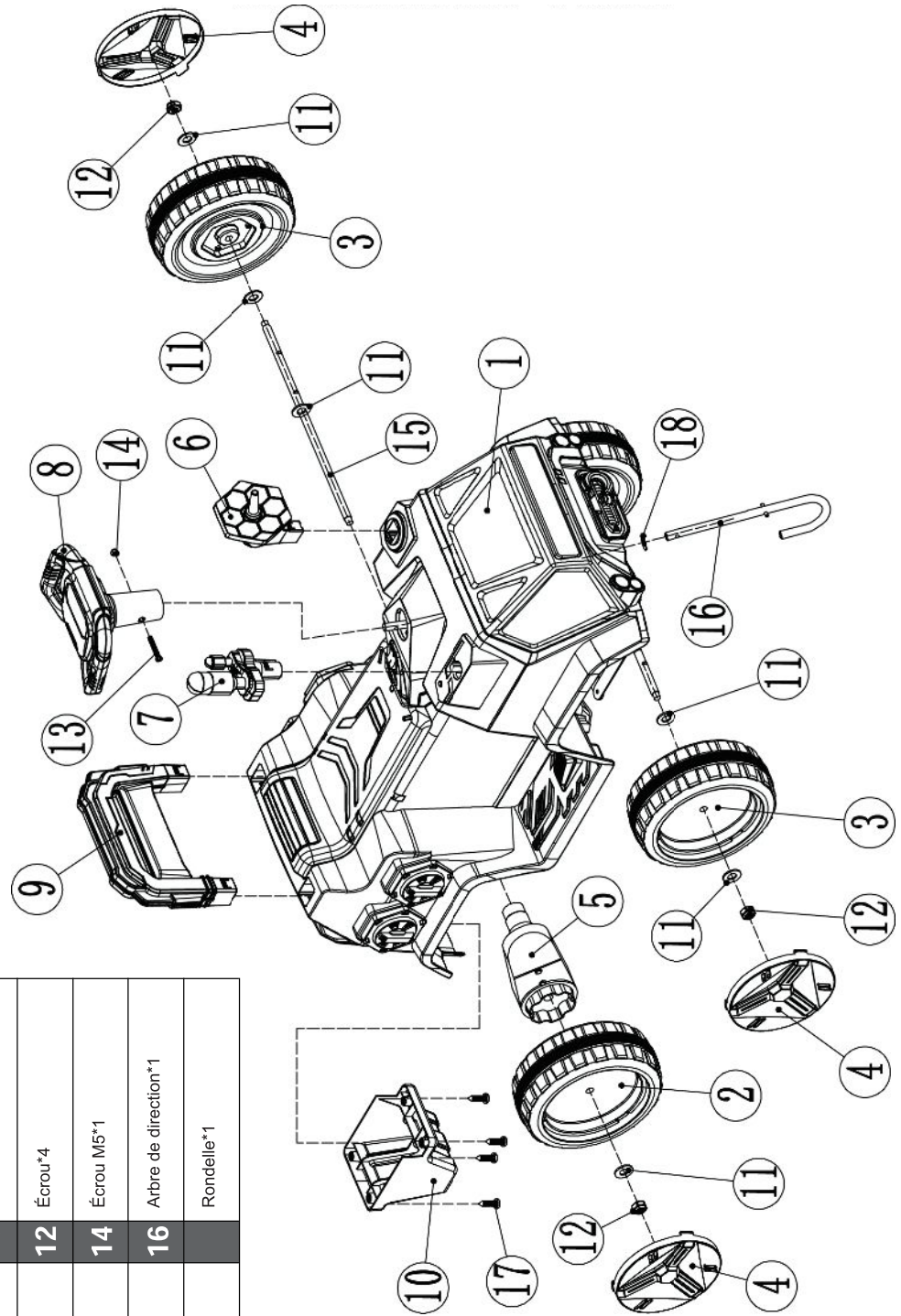
## Emballage d'assemblage

PARTIE N°	PARTIE N° Désignation	IMAGE	Qté (pcs)	REMARQUES	PARTIE N°	PARTIE N° Désignation	IMAGE	Qté (pcs)	REMARQUES
17	Vis		4		18	Rondelle		1	
19	Manuel d'instructions		1		20	Chargeur		1	
21	Clé plate		2						

# Schéma des pièces

1	Carrosserie du véhicule*1	2	Roue motrice*1
3	Roue*3	4	Moyeu*2
5	Boîte de vitesse*1	6	Radar*1
7	Roquette*1	8	Volant*1
9	Dossier*1	10	Pièce anti-chute*1
11	Rondelle*8	12	Écrou*4
13	Écrou M5*1	14	Écrou M5*1
15	Essieu arrière*1	16	Arbre de direction*1
17	Vis*4		Rondelle*1

**REMARQUE :** Certaines pièces illustrées sont assemblées sur les deux côtés du véhicule



Outils requis



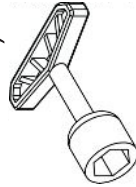
Tournevis  
(non inclus)



Pince  
(non incluse)



Marteau  
(non inclus)

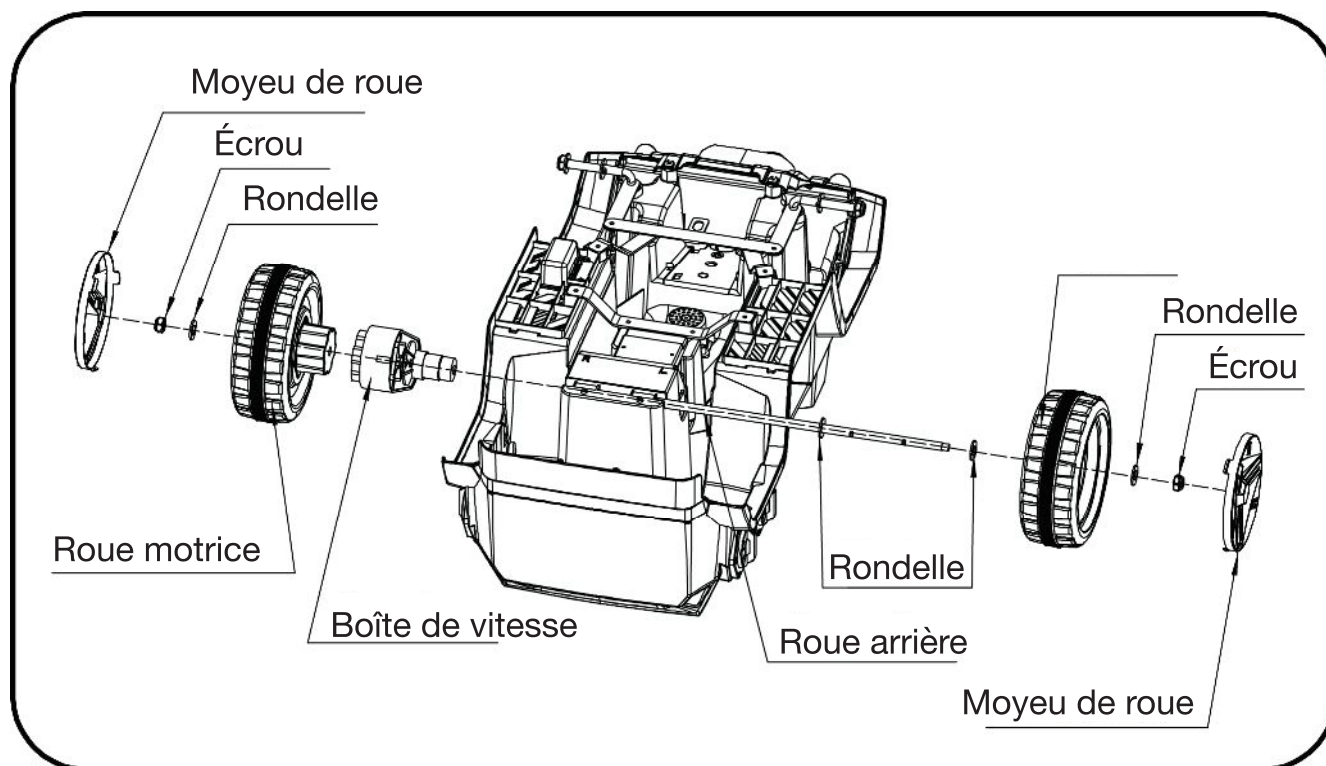


Clé plate

# Étapes d'assemblage

- Votre nouveau véhicule doit être monté par un adulte. Veuillez prévoir au moins 40 minutes pour l'assemblage. Les enfants peuvent être blessés par de petites pièces, des bords tranchants et des pointes tranchantes à l'état non assemblé du véhicule. Une attention particulière doit être portée au déballage et à l'assemblage du véhicule. Les enfants ne doivent pas manipuler les pièces ni aider à l'assemblage du véhicule.
- Identifiez toutes les pièces avant l'assemblage et conservez tous les matériaux d'emballage jusqu'à la fin de l'assemblage afin de vous assurer qu'aucune pièce n'est oubliée.
- Outil d'assemblage nécessaire: tournevis (non inclus), pinces (non incluses), marteau (non inclus), clé.

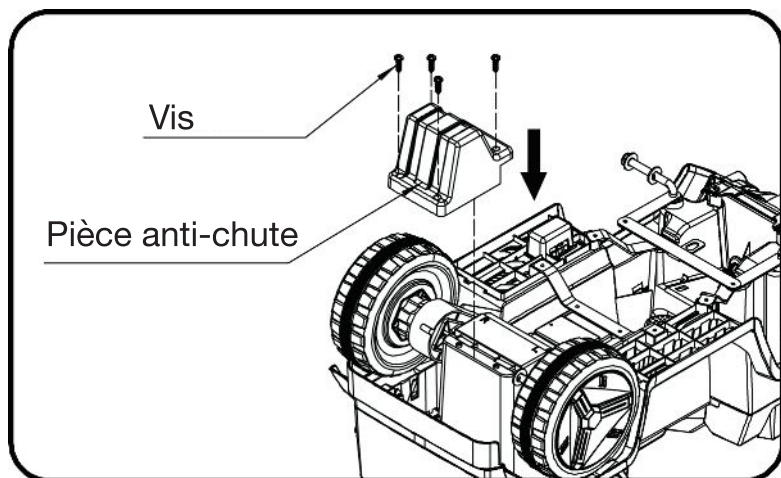
## 1. Installez les roues arrière .



- Retourner la carrosserie, déconnecter les pièces de l'essieu arrière, garder une rondelle, puis passer l'essieu arrière dans la carrosserie.
- La boîte de vitesses est disposée à gauche.
- Faire passer la roue motrice par l'essieu arrière et la fixer avec la rondelle, l'écrou et le moyeu de roue à tour de rôle.
- Passer la rondelle, la roue et une autre rondelle dans l'essieu arrière de l'autre côté, puis les fixer avec l'écrou et le moyeu de roue.

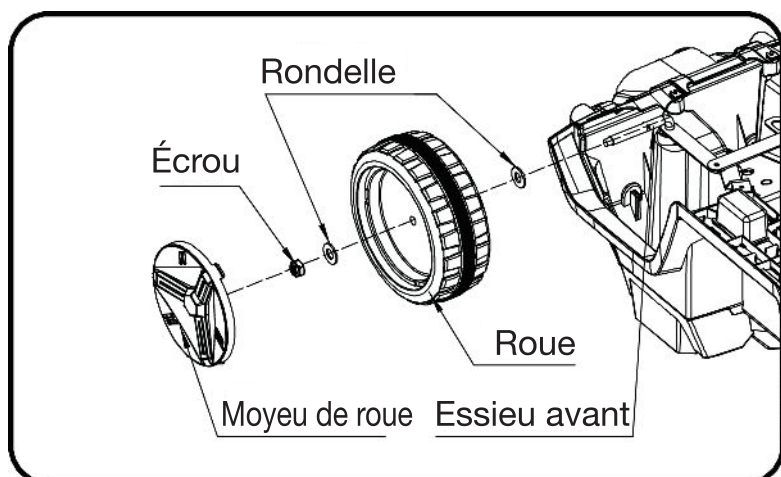
# Étapes d'assemblage

## 2. Installez la pièce anti-chute.



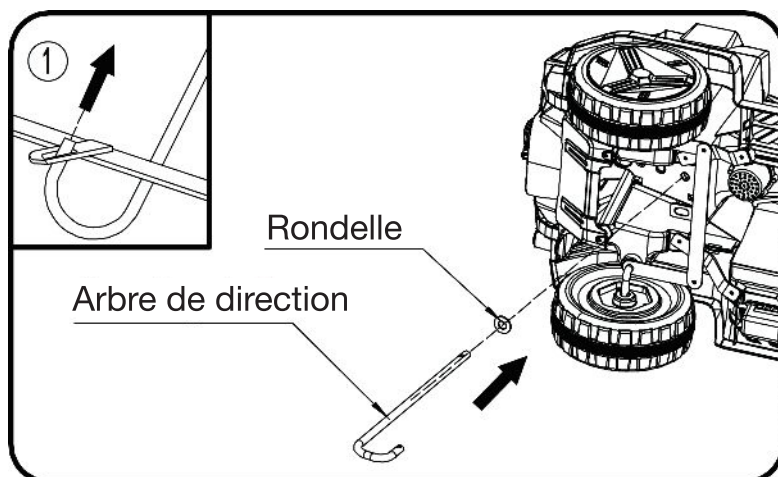
- Comme indiqué sur l'image, installez la pièce anti-chute à l'endroit correspondant, et fixez-la avec des vis.

## 3. Installez la roue avant.



- Retirer l'écrou et la rondelle de l'essieu avant.
- Comme indiqué sur l'image, fixer la rondelle, la roue, la rondelle et l'écrou sur l'essieu dans l'ordre approprié.
- Fixer l'écrou à l'aide d'une clé.
- Fixer le moyeu de la roue.
- Fixez l'autre roue de l'autre côté.

## 4. Installez l'arbre de direction

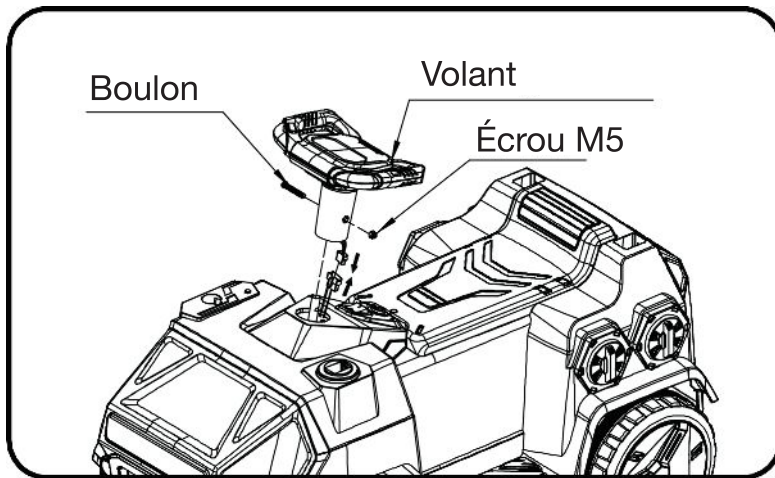


- Tourner le véhicule sur le côté.
- Glisser la rondelle sur l'arbre de direction à partir de l'extrémité droite.
- Insérez l'extrémité droite de l'arbre de direction dans le trou de la carrosserie du véhicule et faites-la ressortir par le trou du tableau de bord.
- Insérez l'extrémité courbée dans le trou de l'essieu avant.



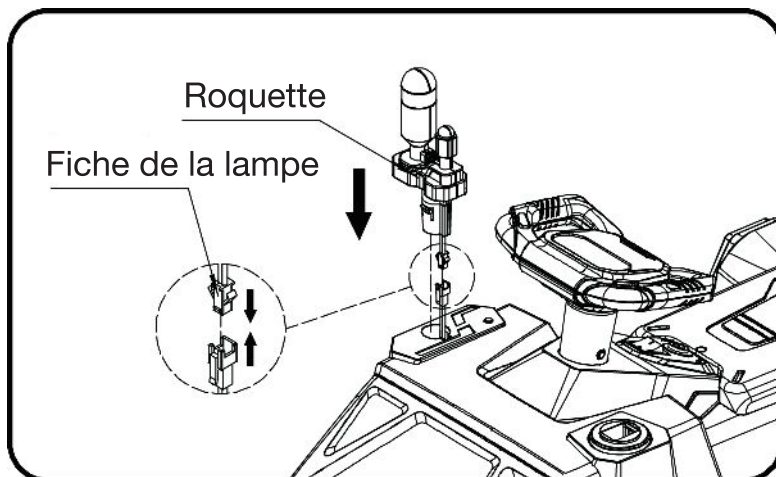
# Étapes d'assemblage

## 5. Installez le volant .



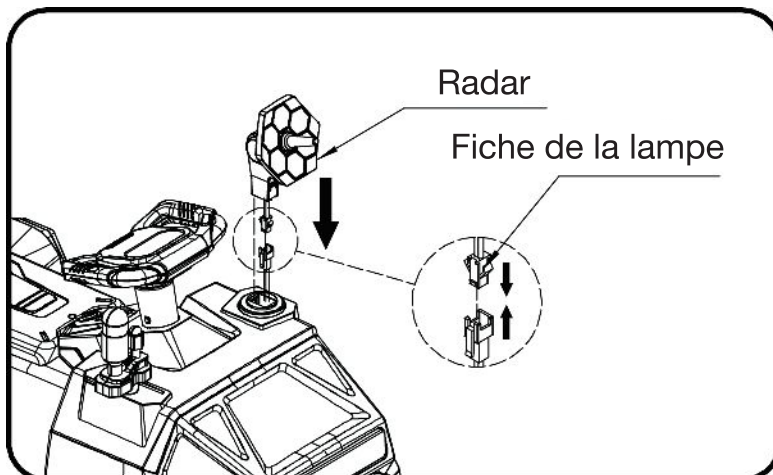
- Comme indiqué sur l'image, retirez l'écrou et le boulon du volant, connectez le volant et le connecteur central du tableau de bord.
- Comme indiqué sur l'image, installez le volant et fixez-le à l'aide de l'écrou et du boulon.

## 6. Installez la roquette.



- Dévissez la vis et ouvrez le siège.
- Sortez les pièces.
- Comme indiqué sur l'image, le bouchon se trouve sur le cul, et appuyez sur la fusée vers le bas pour le fixer.

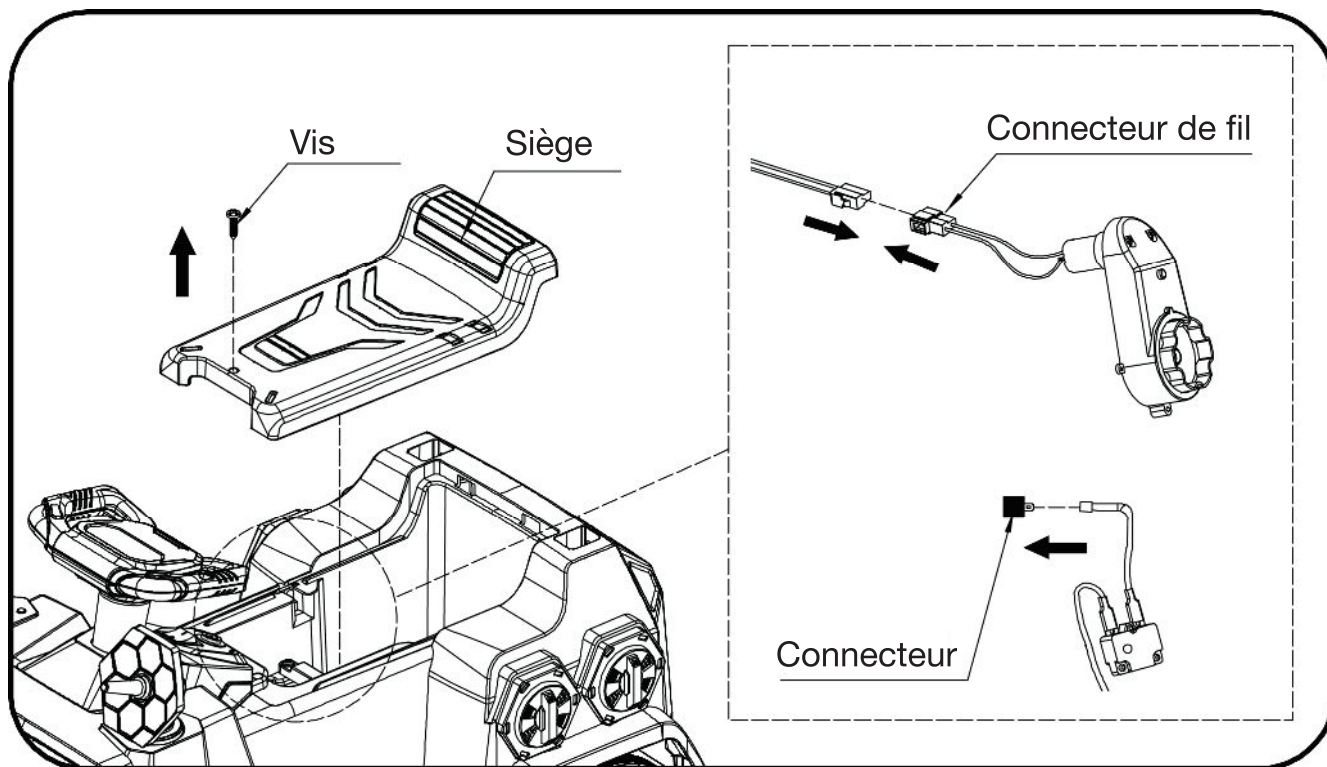
## 7. Installez le radar.



- Comme indiqué sur l'image, mettre le bouchon en place et appuyer sur le radar pour le fixer.

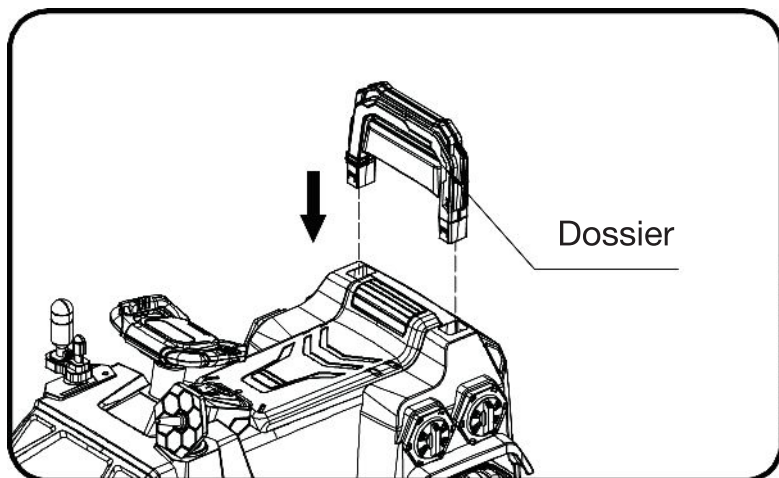
# Étapes d'assemblage

## 8. Branchez l'alimentation électrique.



- Comme indiqué sur l'image, dévissez la vis et ouvrez le siège.
- Branchez le connecteur de fil dans le connecteur du moteur.
- Branchez le connecteur d'alimentation sur la borne de la batterie, comme indiqué.
- Installez ensuite le siège à l'endroit correspondant et fixez-le à l'aide de la vis.

## 9. Installez le dossier.



- Comme indiqué sur l'image, appuyez sur le dossier vers le bas pour le fixer.

# Comment conduire votre moto



## **AVERTISSEMENT !**

### **PRÉVENIR LES BLESSURES ET LES DÉCÈS:**

- **NE JAMAIS LAISSER UN ENFANT SANS SURVEILLANCE. UNE SUPERVISION DIRECTE D'UN ADULTE EST NÉCESSAIRE.** Gardez toujours l'enfant à portée de vue lorsque l'enfant est dans le véhicule.
- Ne pas utiliser sur la voie publique, à proximité de voitures, sur ou près de pentes raides ou de marches, de piscines ou d'autres étendues d'eau.
- Toujours porter des chaussures.
- Toujours s'asseoir sur le siège.
- Convient aux enfants de 3+ ans et plus ; le poids maximal de l'utilisateur est de 30 kg.
- Ne pas utiliser dans la circulation.
- La batterie du véhicule n'est pas remplaçable.

### **Ne pas utiliser dans la circulation. Avant de l'utiliser, assurez-vous que les tâches sont déjà accomplies :**

- Important ! Avant d'utiliser le véhicule pour la première fois, la batterie doit être chargée pendant 8 à 12 heures, pas plus de 20 heures. Seul un adulte doit charger ou recharger la batterie.
- Finir l'assemblage complet de la moto en suivant les étapes décrites dans le manuel. Le paquet enfichable de la batterie de stockage a déjà été inséré correctement, l'alimentation a déjà été mise en marche.
- Tous les endroits nécessitant une vis doivent garantir que la vis a déjà été serrée.

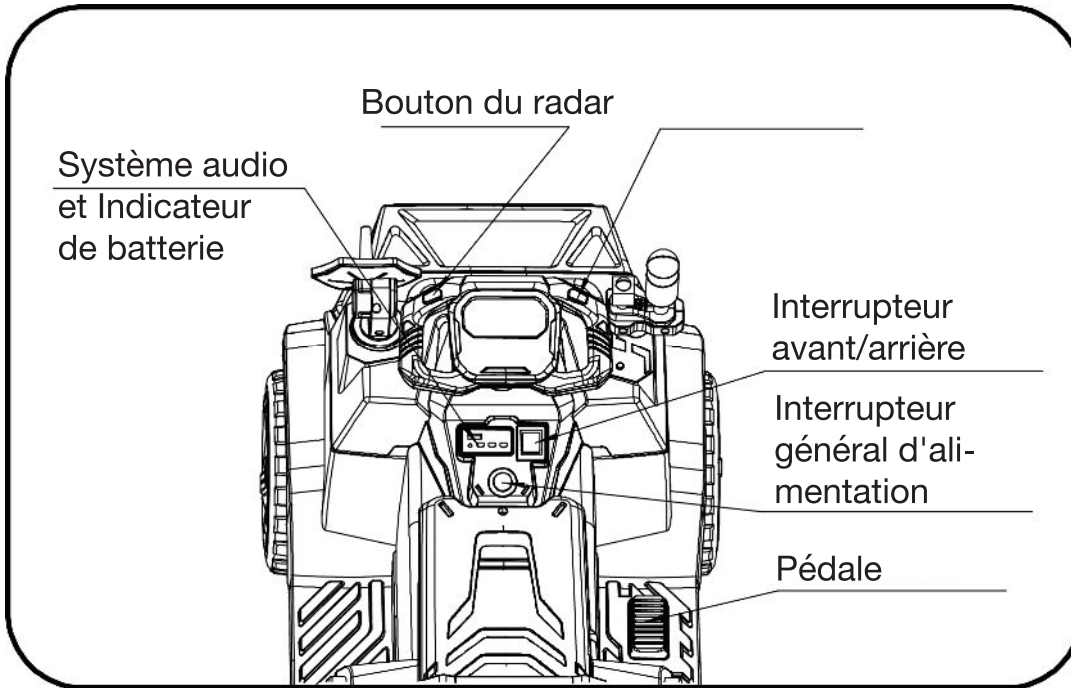
### **Règles de conduite en toute sécurité**

### **LISEZ CES RÈGLES À HAUTE VOIX À VOTRE ENFANT ET À SES CAMARADES DE JEU ET ASSUREZ-VOUS QU'ILS LES COMPRENNENT !**

- Ce jouet n'est pas à l'épreuve des pannes. Toujours porter un casque et des vêtements de protection lors de la conduite.
- Surveillance directe d'un adulte requise.
- Gardez les enfants dans des zones de conduite sûres :
- Ne pas utiliser sur la voie publique, à proximité de véhicules motorisés, sur un espace de pelouse, sur ou près de pentes raides ou de marches, de piscines ou d'autres étendues d'eau.
- Utilisez le jouet uniquement sur des surfaces planes, telles que l'intérieur de votre maison, le jardin ou l'aire de jeux.
- Ne pas utiliser dans l'obscurité. Un enfant pourrait rencontrer des obstacles inattendus et avoir un accident. Faites fonctionner le véhicule uniquement pendant la journée ou dans un endroit bien éclairé.
- Il n'est pas recommandé de conduire le véhicule sur des surfaces mouillées ou sur des pentes de plus de 15 degrés.
- Ne pas utiliser ce véhicule à l'extérieur lorsqu'il pleut ou qu'il neige.
- Assurez-vous de vous arrêter complètement avant de changer de direction, de l'avant vers l'arrière.
- Veuillez respecter les limites de poids et d'âge autorisées pour conduire ce véhicule.
- Il est interdit de modifier le circuit ou d'ajouter d'autres pièces électriques.
- Inspectez périodiquement les fils et les connexions du véhicule.
- Pour éviter les accidents, assurez-vous que le véhicule est sécurisé avant de conduire.
- Ne laissez aucun enfant toucher les roues ou s'approcher d'elles lorsque la voiture est en mouvement.
- Ce véhicule est équipé de ceintures de sécurité réglables. Veuillez apprendre aux enfants à attacher la ceinture de sécurité avant de l'utiliser, afin de garantir leur sécurité.

# Comment conduire votre moto

Mode d'emploi (s'assurer que l'interrupteur d'alimentation a été mis en marche)



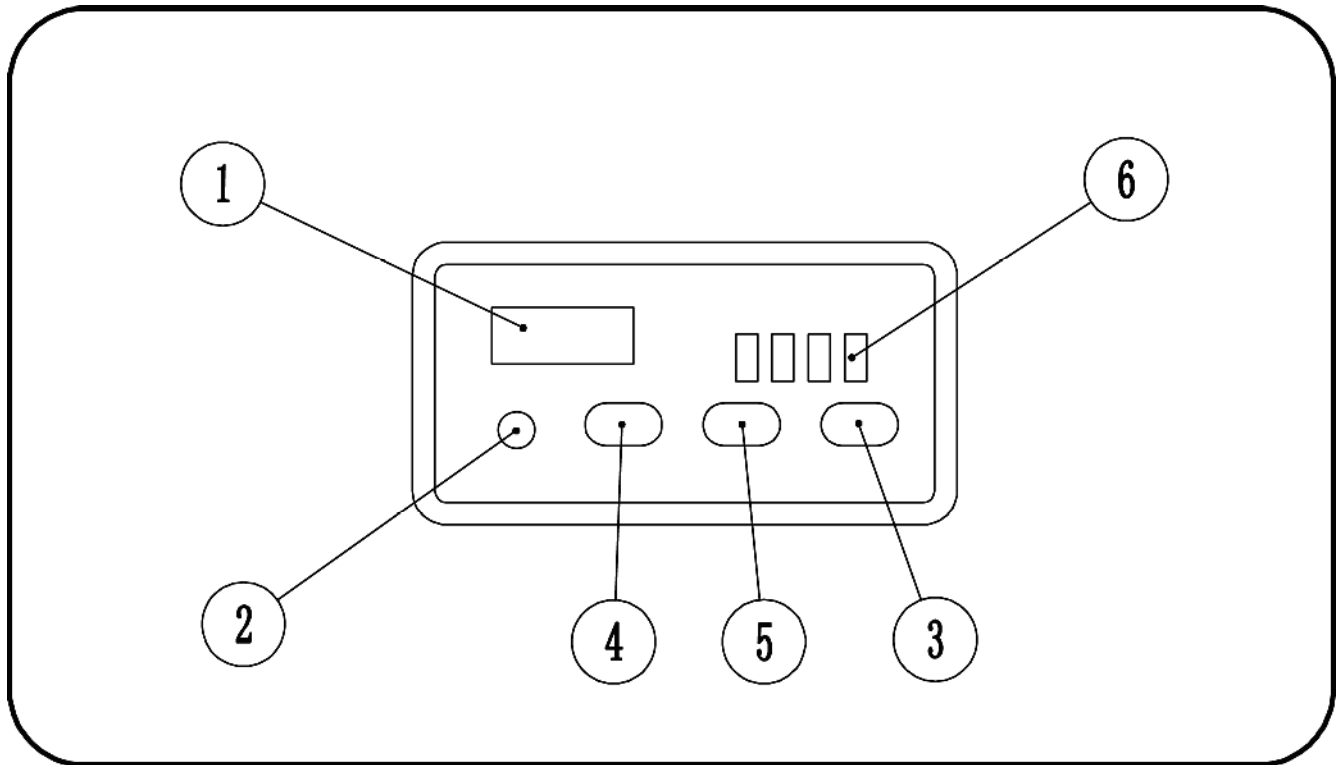
## **IMPORTANT !**

Arrêtez toujours le véhicule lorsque vous changez la vitesse ou la direction pour éviter d'endommager la boîte de vitesses et le moteur.

- (1) Allumez d'abord l'interrupteur général d'alimentation, la musique peut être jouée.
- (2) Avancer  
Appuyez sur l'interrupteur "Avancer et Reculer" sur la position " ↑ ".  
Appuyez sur la pédale.  
Le véhicule avance.
- (3) Arrêt  
Retirez le pied de la pédale d'accélérateur pour arrêter la voiture.
- (4) Reculer  
Appuyez sur l'interrupteur "Avancer et Reculer" sur la position " ↓ ".  
Appuyez sur la pédale.  
Le véhicule recule.
- (5) Vous pouvez déclencher le son du radar en appuyant sur le bouton du radar.
- (6) Vous pouvez déclencher l'alarme en appuyant sur le bouton d'alarme.

# Comment conduire votre moto

(9) Comment utiliser le système audio et l'Indicateur de batterie



1 Fente pour périphérique de stockage.

2 Port AUX

3 Bouton SCAN : vous pouvez contrôler la lecture et la pause de la musique / En appuyant longuement sur le bouton Mode : Permet de passer du mode lecture de musique au mode connexion intelligente.

**Remarque :** La voiture peut être recherchée et connectée par & avec le mobile en de connexion intelligente pour lire la source sonore du mobile.

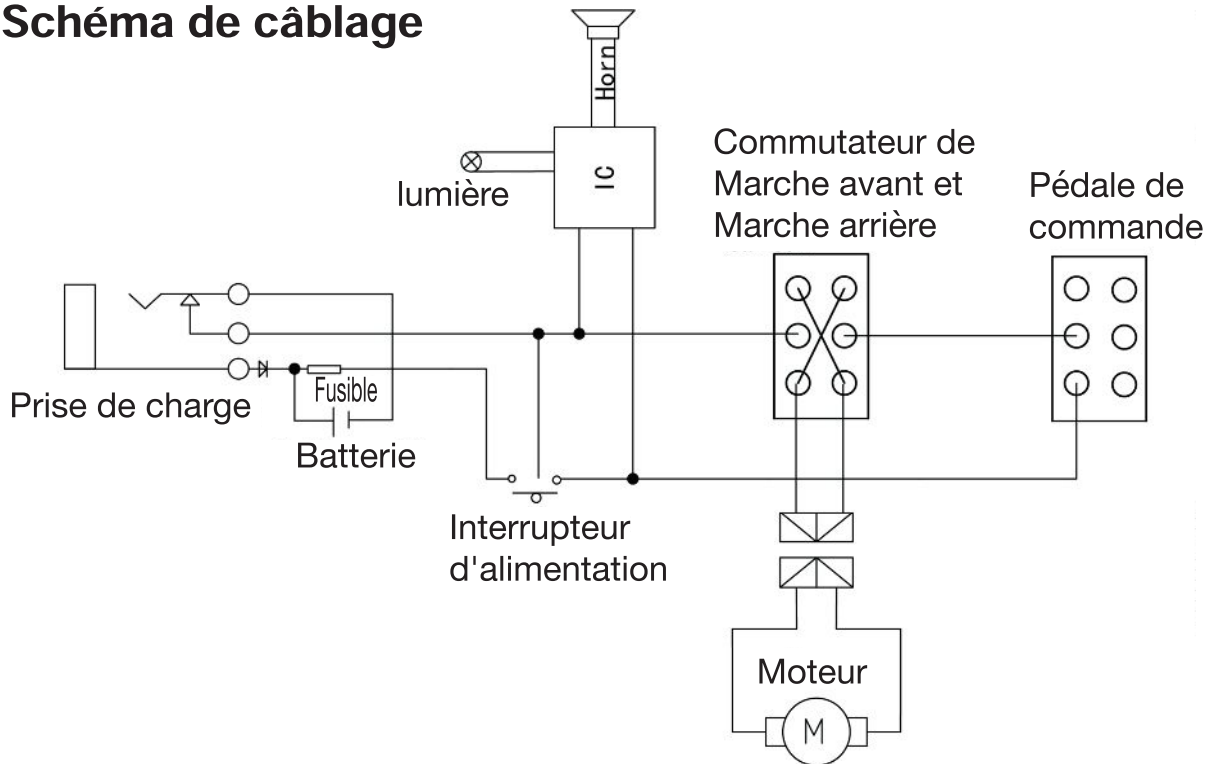
4 Bouton de klaxon Appuyer pour jouer le son de l'avertisseur sonore / En appuyant longuement, diminuer le volume.

5 Bouton de musique Appuyer pour jouer de la musique / Appuyer longuement pour augmenter le volume.

6 Affichage de l'alimentation : Indique la puissance de la batterie et le niveau de charge.

# Comment conduire votre moto

## Schéma de câblage



## Recharge du véhicule

### SEUL UN ADULTE DOIT CHARGER ET RECHARGER LA BATTERIE !

- Les piles non rechargeables ne doivent pas être rechargées.
- Ne pas mélanger des piles usagées et des piles neuves.
- Ne pas mélanger des piles alcalines standard (carbone-zinc) ou rechargeables (nickel-cadmium).
- Les piles doivent être insérées en respectant la polarité.
- Les piles épuisées doivent être retirées du jouet.
- Les bornes d'alimentation ne doivent pas être court-circuitées.
- Les piles rechargeables ne doivent être chargées que sous la surveillance d'un adulte.
- Les piles épuisées doivent être retirées du jouet avant d'être.
- Les transformateurs ou chargeurs de piles utilisés avec le jouet doivent être régulièrement examinés pour vérifier que le cordon, la fiche, le boîtier et les autres parties ne sont pas endommagés et, si c'est le cas, ils ne doivent pas être utilisés tant que les dommages n'ont pas été réparés.



## AVERTISSEMENT !

### • ÉVITEZ LES INCENDIES ET LES CHOCS ÉLECTRIQUES :

- Utilisez uniquement la batterie rechargeable et le chargeur fournis avec votre véhicule. Ne remplacez JAMAIS la batterie ou le chargeur par une batterie ou un chargeur d'une autre marque. L'utilisation d'une autre batterie ou d'un autre chargeur peut provoquer un incendie ou une explosion.
- N'utilisez pas la batterie ou le chargeur pour un autre produit. Une surchauffe, un incendie ou une explosion pourraient se produire.
- Ne modifiez JAMAIS le circuit électrique. Toute modification du système électrique peut provoquer un choc, un incendie ou une explosion, ou endommager le système de manière permanente.
- Ne pas permettre de contact direct entre les bornes de la batterie. Un incendie ou une explosion pourrait se produire.
- Ne laissez aucun type de liquide entrer en contact avec la batterie ou ses composants.

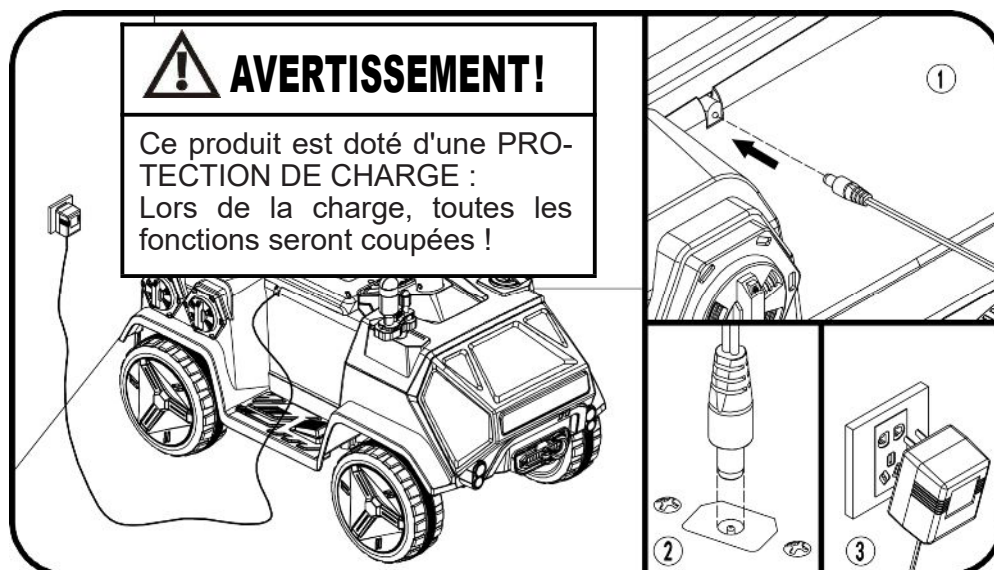
# Recharge de la moto

## **AVERTISSEMENT!**

### • **PRÉVENIR LES INCENDIES ET LES CHOC ÉLECTRIQUES :**

- Des gaz explosifs sont créés lors de la charge. Ne pas charger près de sources de chaleur ou de matériaux inflammables. Charger la batterie uniquement dans un endroit bien ventilé.
- **NE JAMAIS** soulever la batterie par les fils ou le chargeur. Cela peut endommager la batterie et causer un incendie. Soulever la batterie uniquement par le boîtier.
- Charger la batterie dans un endroit sec uniquement.
- Les bornes de la batterie, les bornes et les accessoires associés contiennent du plomb et des composés du plomb, des produits chimiques connus de l'État de Californie pour causer le cancer et des problèmes de reproduction. Se laver les mains après manipulation.
- Ne pas ouvrir la batterie. La batterie contient de l'acide plombique et d'autres produits toxiques et corrosifs.
- Ne pas ouvrir le chargeur. Les fils exposés et les circuits à l'intérieur du boîtier peuvent causer des chocs électriques. Seuls les adultes peuvent manipuler ou charger la batterie. **NE PERMETTEZ JAMAIS** à un enfant de manipuler ou de charger la batterie. La batterie est lourde et contient de l'acide plombique (électrolyte).
- Ne pas faire tomber la batterie. Cela pourrait endommager définitivement la batterie ou causer de graves blessures.
- Avant de charger la batterie, vérifiez l'usure ou les dommages de la batterie, du chargeur, du cordon d'alimentation et des connecteurs. **NE CHARGEZ PAS** la batterie si des dommages aux pièces sont survenus.
- Ne pas permettre à la batterie de se décharger complètement. Rechargez la batterie après chaque utilisation ou une fois par mois si elle n'est pas utilisée régulièrement.
- Ne pas charger la batterie à l'envers.
- Toujours fixer la batterie avec le support. La batterie peut tomber et blesser un enfant si le véhicule se renverse.
- Une surveillance adulte est recommandée pour les jeunes enfants.
- Le jouet doit être utilisé avec prudence, car il faut de l'habileté pour éviter les chutes ou les collisions pouvant causer des blessures à l'utilisateur ou à des tiers.

- La prise d'entrée de charge se trouve **EN DESSOUS DU SIÈGE**.
- L'**INTERRUPTEUR D'ALIMENTATION** doit être placé en position **OFF** lors de la charge.
- Avant la première utilisation, vous devez charger la batterie pendant 8 à 12 heures. Ne rechargez pas la batterie pendant plus de 20 heures afin d'éviter une surchauffe du chargeur.
- Lorsque le véhicule commence à fonctionner lentement, rechargez la batterie.
- Après chaque utilisation ou une fois par mois, le temps de recharge minimum est de 8 à 12 heures, pas plus de 20 heures.



1. Trouvez la prise d'entrée de charge sous le siège.
2. Branchez le port du chargeur dans la prise d'entrée.
3. Branchez la fiche du chargeur dans une prise murale. La batterie commencera à se charger.

# Guide de dépannage

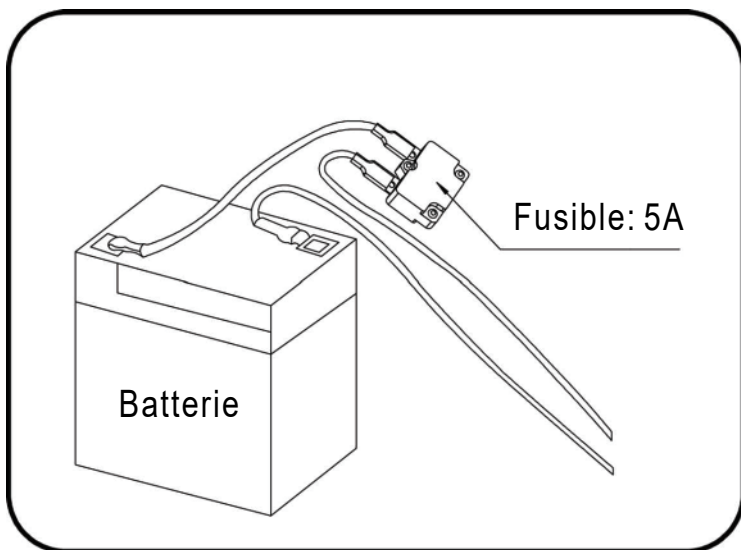
## ■ PROBLÈME : Le véhicule ne fonctionne pas.

**CAUSE POSSIBLE : La batterie est peut-être déchargée.**

Après chaque utilisation, ou au moins une fois par mois, chargez la batterie pendant 8 à 12 heures. Ne laissez pas la batterie sur le chargeur pendant plus de 20 heures.

**CAUSE POSSIBLE : Le fusible thermique s'est déclenché.**

Le véhicule est équipé d'un fusible à réarmement automatique. Lorsque le véhicule est surchargé ou mal utilisé, le fusible à réarmement automatique est coupé pendant 5 à 20 secondes avant de redevenir opérationnel. Le fusible à réarmement automatique se trouve sous le siège (voir l'image).



**Pour éviter que le fusible ne coupe l'alimentation, suivez ces conseils :**

NE PAS surcharger le véhicule, poids maximum autorisé : 30 kg.

NE PAS remorquer d'objet derrière le véhicule.

NE PAS conduire sur des pentes raides.

NE PAS heurter d'objets fixes, ce qui pourrait faire patiner les roues et provoquer une surchauffe du moteur.

NE PAS conduire par temps très chaud, les composants peuvent surchauffer.

NE PAS manipuler le système électrique, cela pourrait créer un court-circuit et provoquer le déclenchement du fusible.

**CAUSE POSSIBLE : Les écrous de roue sont desserrés.**

Si les écrous ne sont pas serrés, les roues ne s'engageront pas dans les engrenages avant. Serrer l'écrou à l'aide de la clé à écrou.

**CAUSE POSSIBLE : Le connecteur ou les fils de la batterie sont desserrés.**

Assurez-vous que les connecteurs de la batterie sont bien branchés les uns aux autres.

**CAUSE POSSIBLE : La batterie est déchargée.**

Avez-vous correctement entretenu la batterie en suivant les instructions ? La batterie est-elle vieille ? Il se peut que votre batterie doive être remplacée.

**CAUSE POSSIBLE : Le système électrique est endommagé.**

De l'eau peut avoir corrodé le système, ou des saletés, du gravier ou du sable peuvent avoir bloqué l'interrupteur.

**CAUSE POSSIBLE : Le moteur est endommagé.**

Le moteur doit être réparé par un professionnel.

■ PROBLÈME : La batterie ne se recharge pas.

**CAUSE POSSIBLE : Le connecteur de la batterie ou le connecteur de l'adaptateur est desserré.**

Assurez-vous que le connecteur de la batterie et le connecteur de l'adaptateur sont fermement branchés l'un à l'autre.

**CAUSE POSSIBLE : Le chargeur n'est pas branché.**

Assurez-vous que le chargeur est branché sur la prise murale et que la prise est sous tension.

**CAUSE POSSIBLE : Le chargeur ne fonctionne pas.**

Le chargeur est-il chaud pendant la charge ? Si ce n'est pas le cas, il se peut que le chargeur soit cassé et doive être remplacé.



# Guide de dépannage

---

## ■ PROBLEME : Le véhicule ne fonctionne pas très longtemps.

**CAUSE POSSIBLE : La batterie est peut-être insuffisamment chargée.**

Il se peut que vous ne chargiez pas la batterie assez longtemps. Après chaque utilisation, ou au moins une fois par mois, chargez la batterie pendant 8 à 12 heures. Ne laissez pas la batterie sur le chargeur pendant plus de 20 heures.

**CAUSE POSSIBLE : La batterie est vieille.**

La batterie finira par ne plus pouvoir tenir la charge. En fonction de l'utilisation et des conditions variables, la batterie devrait fonctionner pendant un à trois ans. Remplacez la batterie par une neuve.

## ■ PROBLEME : La batterie émet un bourdonnement ou un gargouillement lors de la charge.

Ce phénomène est normal et n'est pas inquiétant. Elle peut également être silencieuse pendant la charge, ce qui est également normal.

**■ PROBLEME : Le chargeur est chaud lors de la recharge de la batterie.**

Ce phénomène est normal et n'est pas inquiétant.

# L'entretien de votre véhicule

---

- Il incombe aux parents de vérifier les principales parties du jouet avant utilisation. Doit examiner régulièrement les dangers potentiels, tels que la batterie, la charge, le câble ou la corde, la prise, les vis de fixation de l'enceinte ou d'autres pièces et, en cas de tels dommages, le jouet ne doit pas être utilisé tant que ces dommages n'ont pas été correctement éliminés.
- Assurez-vous que les pièces en plastique du véhicule ne sont ni fissurées ni cassées.
- Utilisez occasionnellement une huile légère pour lubrifier les pièces mobiles telles que les roues.
- Garez le véhicule à l'intérieur ou couvrez-le d'une bâche pour le protéger des intempéries.
- Éloignez le véhicule des sources de chaleur, telles que les poêles et les radiateurs. Les pièces en plastique pourraient fondre.
- Rechargez la batterie après chaque utilisation. Seul un adulte doit manipuler la batterie. Rechargez la batterie au moins une fois par mois lorsque le véhicule n'est pas utilisé.
- Ne lavez pas le véhicule avec un tuyau. Ne lavez pas le véhicule avec de l'eau et du savon. Ne conduisez pas le véhicule par temps de pluie ou de neige. L'eau endommagera le moteur, le système électrique et la batterie.
- Nettoyez le véhicule avec un chiffon doux et sec. Pour redonner de l'éclat aux pièces en plastique, utilisez un poli pour meubles sans cire. Ne pas utiliser de cire pour voiture. Ne pas utiliser de nettoyeurs abrasifs.
- Ne conduisez pas le véhicule dans de la terre meuble, du sable ou du gravier fin qui pourraient endommager les pièces mobiles, les moteurs ou le système électrique.
- Lorsqu'il n'est pas utilisé, toutes les sources électriques doivent être éteintes. Éteignez l'interrupteur d'alimentation et débranchez la connexion de la batterie.

# Mise au rebut de la batterie

---

## Mise au rebut de la batterie


- Votre batterie plomb-acide scellée doit être recyclée ou éliminée dans le respect de l'environnement.
  - Ne jetez pas votre batterie au plomb dans un feu. La batterie risque d'exploser ou de fuir.
  - Ne vous débarrassez pas d'une batterie plomb-acide avec vos ordures ménagères. L'incinération, l'enfouissement ou le mélange de batteries plomb-acide scellées avec les ordures ménagères sont interdits par la loi.
  - Retournez une batterie épuisée à votre centre local de recyclage de batteries au plomb agréé, tel qu'un vendeur local de batteries automobiles.
  - Contactez les responsables locaux de la gestion des déchets pour obtenir d'autres informations concernant le recyclage et l'élimination écologiquement rationnels des batteries au plomb.
  - La batterie ne doit être chargée que par un adulte. veuillez charger le produit avant de l'utiliser !
  - Le jouet ne doit pas être connecté à des puissances excessives (plus que la quantité spécifiée ici), et il ne doit pas être utilisé pendant le processus de charge.
  - Toute batterie rechargeable ne doit être chargée que sous la surveillance d'un adulte.
  - Le chargeur de batterie doit régulièrement vérifier que les fils, les fiches, le boîtier et les autres pièces ne sont pas endommagés et les dommages constatés doivent cesser d'être utilisés et être restaurés.
  - Ouvrez le couvercle du compartiment à piles de la télécommande et placez deux piles, en respectant la polarité des piles.  
Remplacez le couvercle du compartiment des piles et verrouillez le tout à l'aide de vis (le remplacement des piles doit être effectué par un adulte, conformément aux étapes ci-dessus).
  - Toutes les piles doivent être insérées en respectant la polarité.
  - Les piles non rechargeables ne doivent pas être chargées, veuillez retirer toute pile épuisée du jouet.
- 
- Ne mélangez pas de vieilles et de nouvelles piles, ou ne mélangez pas différents types de piles.
  - Le chargeur de batterie utilisé avec le jouet doit être régulièrement examiné pour vérifier que le cordon, la fiche, le boîtier et les autres pièces ne sont pas endommagés et, si tel est le cas, il ne doit pas être utilisé tant que ces dommages n'ont pas été réparés.

**Nos produits sont conformes aux normes**

**ASTM F963 ; GB6675, GB19865 ; EN71 et EN62115.**

## **US**

If you have any questions, please contact our customer care center.  
Our contact details are below:

 001-877-644-9366


 customerservice@aosom.com

Imported by Aosom LLC  
27150 SW Kinsman Rd Wilsonville, OR 97070 USA  
MADE IN CHINA

## **CA**

If you have any questions, please contact our customer care center.  
Our contact details are below:

Si vous avez la moindre question, veuillez contacter notre centre d'assistance à la clientèle.  
Nos coordonnées sont les suivantes:

 416-792-6088

 customerservice@aosom.ca

Imported by Aosom Canada Inc.  
7270 Woodbine Avenue, Unit 307, Markham, Ontario Canada L3R 4B9  
MADE IN CHINA

Importé par Aosom Canada Inc.  
7270 Woodbine Avenue, unité 307, Markham, Ontario Canada L3R 4B9  
Fabriqué en Chine