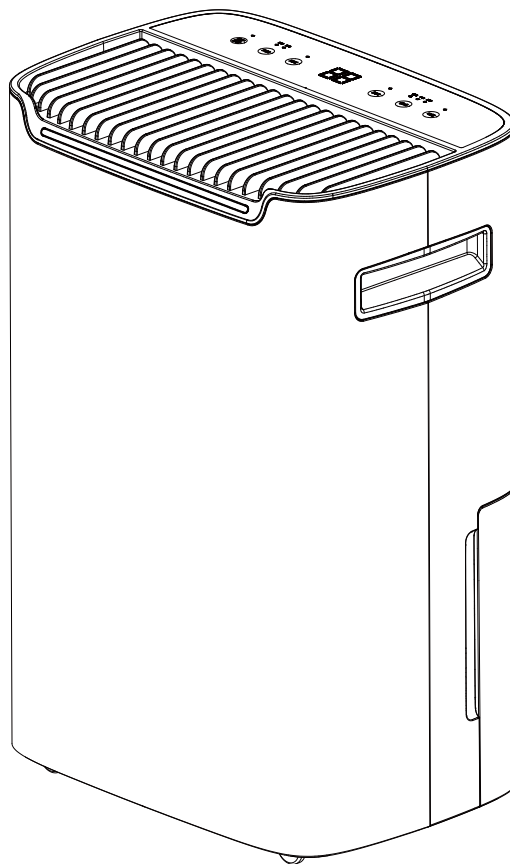




IN240400346V01_UK_ES_PT

821-034V70_821-034V90



EN_IMPORTANT, RETAIN FOR FUTURE REFERENCE: READ CAREFULLY.

**FR_IMPORTANT: A LIRE ATTENTIVEMENT ET À CONSERVER POUR CONSULTATION
ULTÉRIEURE.**

ES_IMPORTANTE, LEA Y GUARDE PARA FUTURAS REFERENCIAS.

PT_IMPORTANTE, RETER PARA REFERÊNCIA FUTURA: LEIA ATENTAMENTE.

DE_WICHTIG! SORFGFÄLTIG LESEN UND FÜR SPÄTERES NACHSCHLAGEN AUFBEWAHREN.

**IT_IMPORTANTE! CONSERVARE IL PRESENTE MANUALE PER FUTURO RIFERIMENTO E
LEggerlo ATTENTAMENTE.**

BEFORE FIRST USE:

To prevent internal damage, keep the refrigeration unit upright during transport. Wait 24 hours before plugging it in, leaving it outside the box.

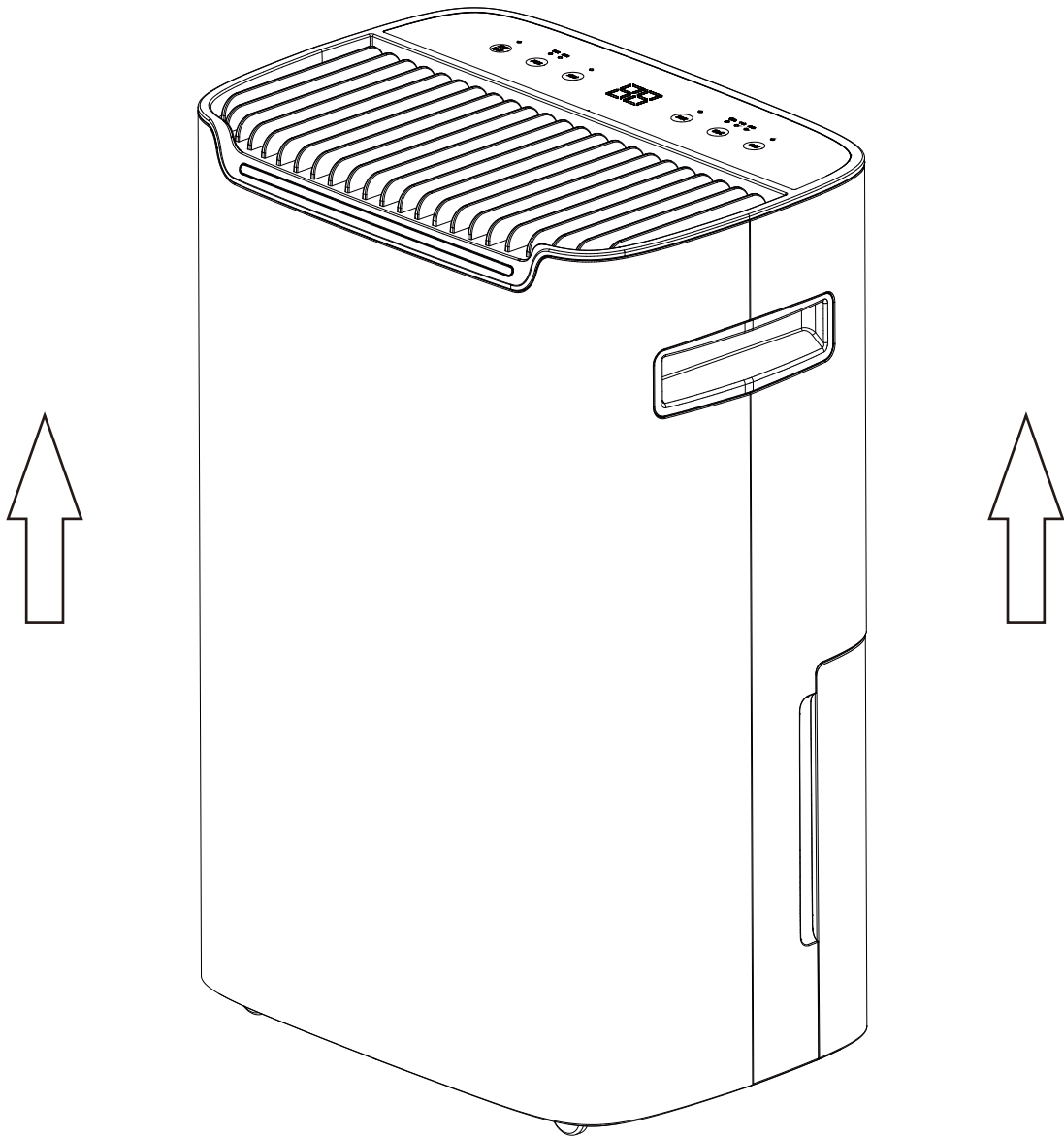


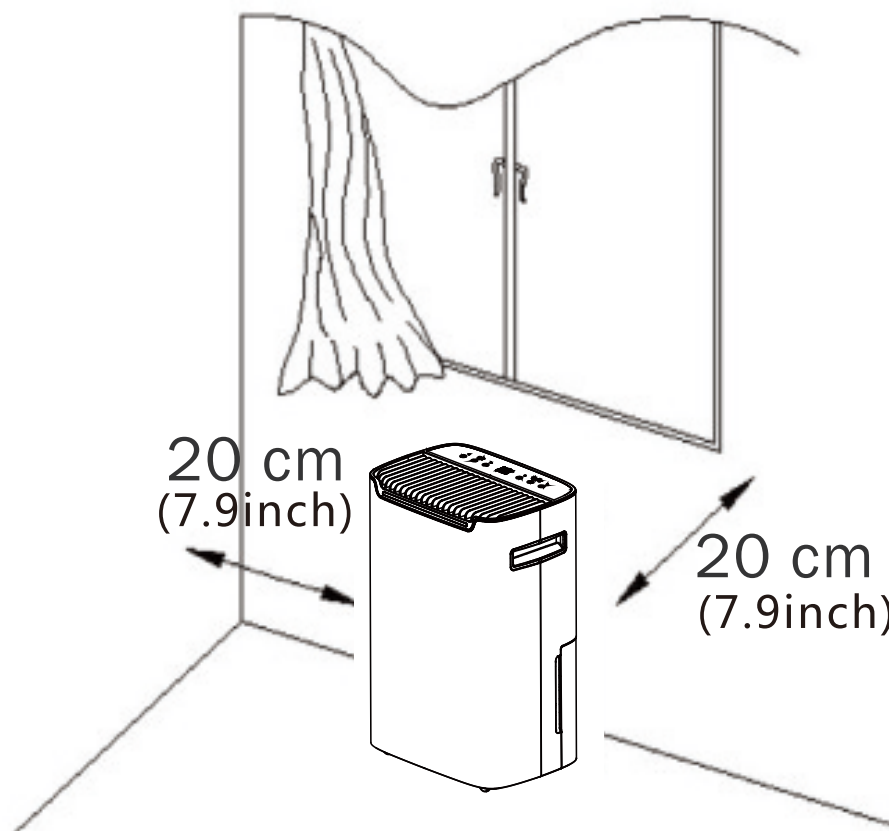
TABLE OF CONTENTS	
PRECAUTIONS FOR USE	03
PARTS DESCRIPTION	04
CONTROL INTERFACE	05
Control Panel	05
OPERATION INSTRUCTION	06
Setting	06
Display Status Description	09
Instructions for Drying Clothes	09
Faults & Processing Methods	10
Empty The Water Tank	11
Continuous Drainage	13
CLEANING AND MAINTENANCE	14
TROUBLESHOOTING	15
SAFETY NOTE	16

PRECAUTIONS FOR USE

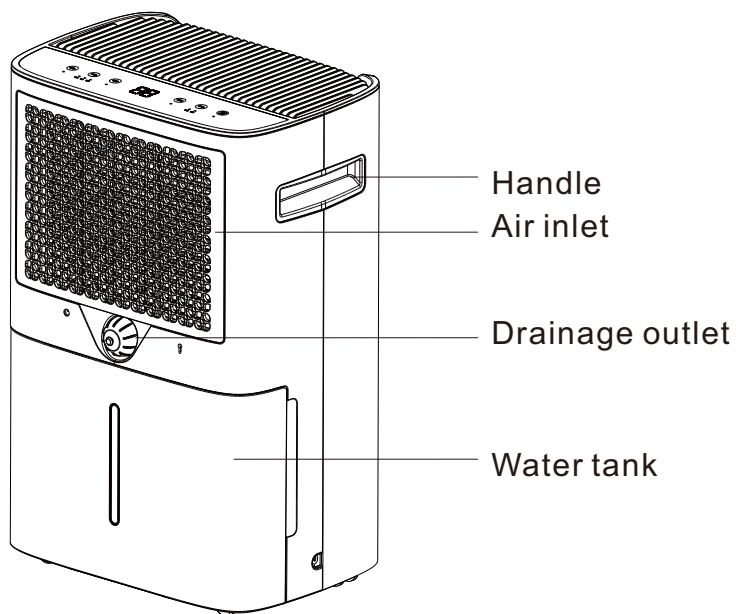
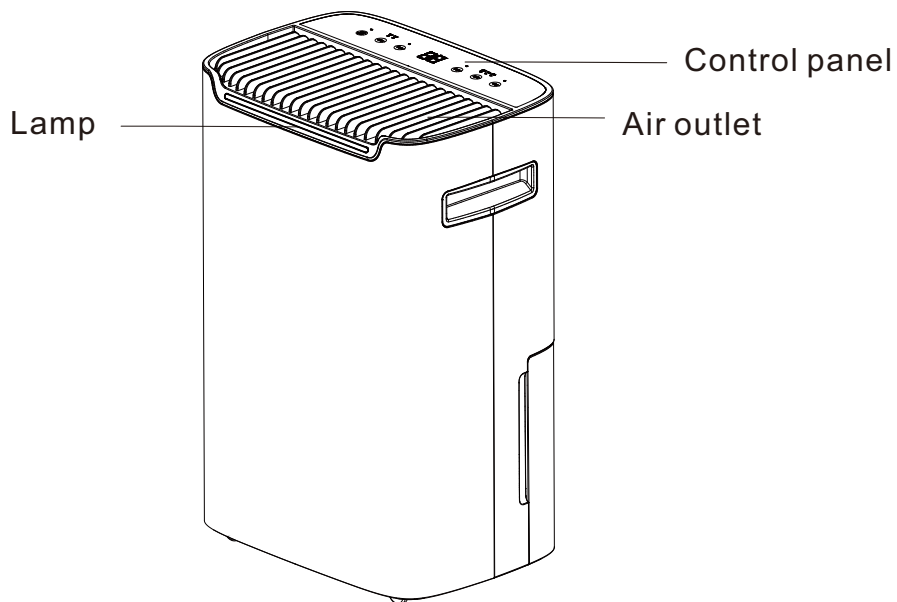
Safety notes:

Read all instructions carefully before operating this appliance. Keep this manual safe for future reference.

- Keep your fingers and other objects away from the air inlet and outlet.
- Always keep the machine on a flat and even surface.
- Do not spray water, insecticides or flammable liquids on the unit.
- Do not place the machine in narrow or confined spaces.
- Never operate the appliance with a damaged power cord. It must be replaced by a qualified technician approved by the company.
- To avoid water entering the outlet and damaging the machine, maintain a minimum distance of 40cm between the clothes and the air when using the dry clothes function.
- The machine's power wiring must adhere to national wiring regulations. Additionally, ensure that the power line is connected to a dependable external Earth Line.
- The fixed wiring for machine connections should include an all-pole disconnect device (air switch) with a minimum 0.118-inch electric shock distance.
- Model specification of safety tube: 3.15A
- Under guided supervision, this appliance can be used by children aged eight years and above, provided they understand the potential risks and hazards. Under guided supervision, this appliance can be used by persons with disabilities or persons without experience, provided they understand the potential risks and hazards.
- When using the dehumidifier, ensure there is at least 20cm (7.9 inches) of space on all sides of the appliance, as shown in the picture on the right.

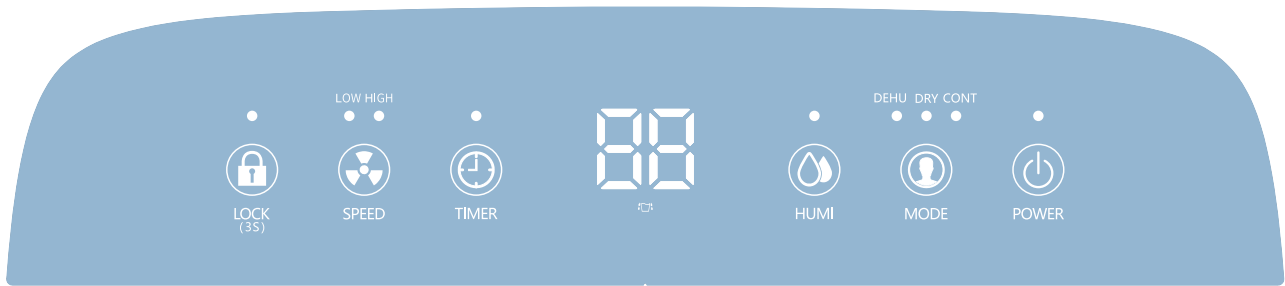


PARTS DESCRIPTION





CONTROL INTERFACE

1. Control Panel




 **POWER BUTTON**
To turn the dehumidifier ON/OFF.

 **MODE BUTTON**
To select working mode between DEHU, DRY, CONT.

 **TIMER BUTTON**
To set auto ON/OFF timer in 1-24 hrs.

 **SPEED BUTTON**
To select fan speed between high and low.

 **SETTINGS BUTTON**
To set the humidity within a range of 30%RH to 80%RH in 5% increments

 **LOCK BUTTON**
It is used to open and release the child lock function.

 **WATER FULL INDICATOR**
Indicates the water tank is full.

OPERATION INSTRUCTIONS

2.Settings Humidity settings

Humidity settings

- The humidity level can be adjusted in 5% increments within a range of 30-80%RH
- Upon starting, the unit will automatically detect and display the room's humidity level. To adjust the humidity setting, press the 'SETTINGS' button in 5% increments. The displayed number '88' will flash, indicating the current setting humidity level.
- Press 'SETTINGS' to increase or decrease the humidity level by 5%RH.
- If there is no activity for five seconds, the displayed number '88' will indicate the current actual room humidity.
- The dehumidifier will automatically activate or deactivate when the humidity level either exceeds or falls below the set threshold.
- When the humidity level is set to 30%RH, the dehumidifier will operate in continuous dehumidifying mode.

Child lock settings

Hold the 'CHILD LOCK' button for three seconds to activate or deactivate the child lock. In the child lock state, other button operations are disabled. Release the child lock by holding the 'CHILD LOCK' button for three seconds.

Timer settings

Setting the timer when the device is off will schedule it to turn on, while setting the timer when the device is on will schedule it to turn off.

- Press the 'TIMER' button to set the timer, with each press increasing it by one hour. The timer can be set from 1-24 hours cyclically.
- Hold the 'TIMER' button to continuously adjust the timer.


Once the timer reaches 00, it becomes inactive. If the timer is successfully set, the 'TIMER' indicator light will turn on. By pressing the 'TIMER' button, the LED screen will show the remaining time and automatically switch back to displaying the current humidity level after a few seconds.

OPERATION INSTRUCTIONS


SPEED BUTTON

The Speed button allows you to control the fan speed. Choose High for maximum moisture removal and Normal for quieter operation.



DRY (LAUNDRY DRY) MODE:

Press the  button until the 'DRY' indicator light illuminates the display. In DRY mode, the dehumidifier will operate continuously at a high fan speed. Please note that in DRY mode, the SETTING button and SPEED button are disabled.

CONT (CONTINUOUS) MODE:

Press the  button until the CONT indicator light is displayed on the screen. In CONT mode, the dehumidifier will run continuously until the water tank reaches its full capacity.

Overflow protection:

When the water tank is full, the machine will automatically shut off, and the  indicator light will flash. Once you empty the water tank, the  indicator light will turn off, and the machine will resume operation.

Caution:

Place the tank in its correct position to prevent the 'water full' alarm from signalling.

Drainage:

When the water tank reaches its full capacity, the 'Full Tank' indicator will light up. There is no need to constantly check the tank.

Auto drainage: The dehumidifier features a continuous drainage outlet where you can attach a hose for uninterrupted drainage.

Manual drainage: When the water tank is full, the 'Full Tank' indicator will light up, and the dehumidifier will automatically shut off. It will resume operation once the tank is emptied and placed back into the unit.

OPERATION INSTRUCTIONS

ADDITIONAL FUNCTIONS

Auto Shut-off

The dehumidifier will automatically shut off in two cases: when the water tank is full and when the room humidity reaches the set value.

Three-minute delay protection

The compressor of the dehumidifier is designed with a 'three-minute delay protection' feature. This means that after the dehumidifier is powered off, the compressor will have a three-minute delay before it can be restarted.

Auto defrost

The dehumidifier is equipped with an auto-defrost function. When operating in lower temperatures, the system will detect if frost has formed. If frost is detected, the dehumidifier will initiate the defrosting process automatically.

During defrosting, the fan will run at high speed and the compressor will temporarily stop. The POWER indicator will flash to indicate that defrosting is in progress.

Auto restart



If there is a power outage while the dehumidifier is running or in standby mode, it will automatically resume its previous function settings (working mode, setting humidity value, fan speed, etc.) once power is restored.

SCENE LIGHT SETTINGS

S/N	Lamp color	Applicable status
1	Yellow	Ambient humidity < 50%
2	Green	$50\% \geq$ Ambient humidity < 70%
3	Red	Ambient humidity $\geq 70\%$

OPERATION INSTRUCTION

3. Display Status Description

- Power button: Indicates device is powered on.
- Setting light  : Indicator for timer setup status.
- High-speed indicator light ^{HIGH} ○ : Indicates high-speed fan mode.
- Low-speed indicator light ^{LOW} ○ : Indicates low-speed fan mode.
- Dehumidification light ^{DEHU} ○ : Indicates dehumidification in progress.
- Water full light indicator  : Flashes when the tank is full.
- Current humidity display: '88' indicates normal operation.

4. Instructions for Drying Clothes

Step 1: Hang the wet clothes in a small space like a cloakroom or storage room. Ensure that the unit is kept away from any water drips from the clothes.

Step 2: Open the dehumidifier and set the humidity level to 30%RH. For best results, position the air outlet of the dehumidifier to blow air directly onto the clothes.

- The drying effect may vary depending on the thickness of clothes, number of clothes and size of the drying space. Ideally, fewer clothes, thinner fabrics, and smaller spaces will yield better results.
- The drying process typically takes 3-8 hours. We recommend using the continuous drainage mode for drying clothes.

OPERATION INSTRUCTIONS

5. Faults & processing methods

Fault	Reason	Solution
The displayed humidity always shows '25%RH' which differs significantly from the actual humidity.	The humidity sensor is malfunctioning.	Set the desired humidity to 30%RH. The dehumidifier will continue to operate and can be used normally, despite the inaccurate readings.
		The humidity sensor needs to be repaired or replaced.
The displayed humidity always shows '99%RH' which differs significantly from the actual humidity.	1. There is water on the humidity sensor. 2. The humidity sensor is malfunctioning.	The dehumidifier can continue to operate and be used normally.
		Allow the dehumidifier to run for some time. This will help remove any water or moisture that might have accumulated on the humidity sensor, allowing it to return to normal functioning.
		The humidity sensor needs to be repaired or replaced.

NOTE :

Before starting the machine, ensure that the air outlet has been opened, otherwise the machine will overheat.

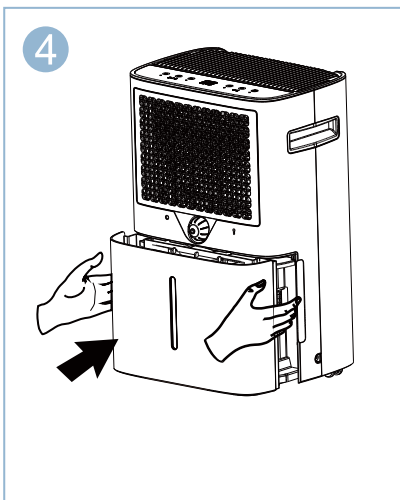
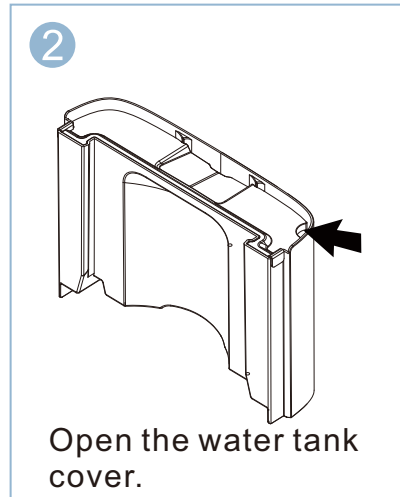
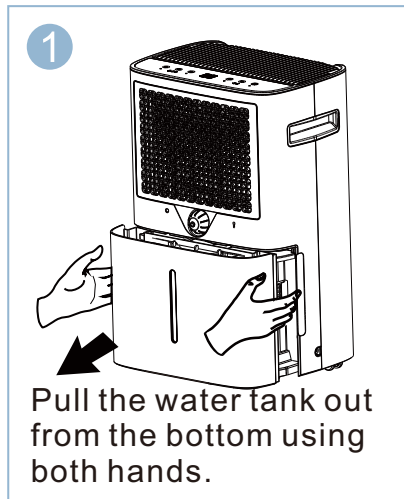
When unplugging, grasp the plug – do not pull the power cord directly.

OPERATION INSTRUCTIONS

6. Empty The Water Tank

When the water tank is full, the 'WATER FULL' indicator will illuminate – the dehumidifier will automatically shut down until the tank is emptied and placed back into the unit.

Ways to Empty the Water Tank

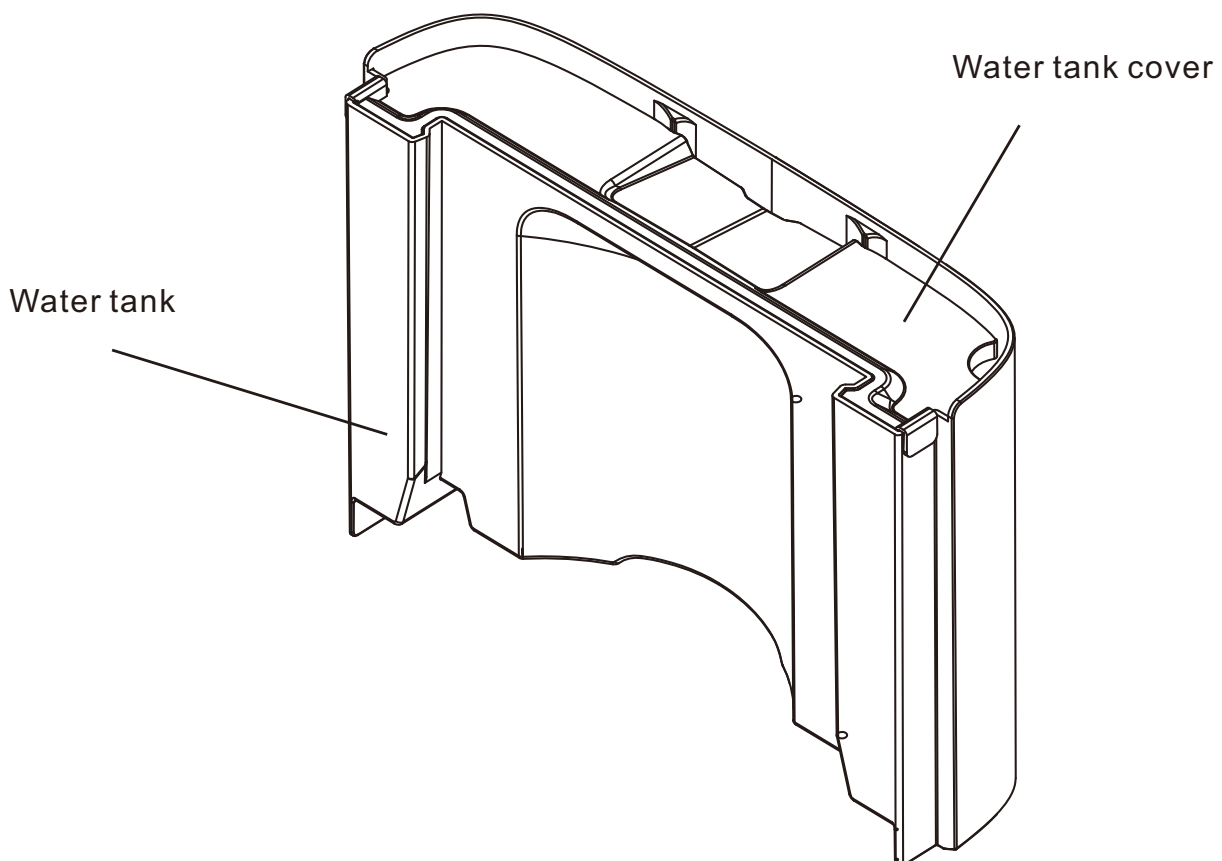


Place the water tank back into its position. The 'WATER FULL' indicator will turn off.

OPERATION INSTRUCTIONS

Note: .

- Do not remove the float from the water tank. Removing the float can cause issues with the sensor's ability to accurately detect the water level in the tank, potentially leading to water overflow or leaks.
- If the water tank becomes dirty, it can be cleaned using cold or warm water. Avoid using detergent, steel wool, chemically treated dust cloth, gasoline, benzene, thinner or other solvents, as they can damage the water tank and cause leaks.
- When placing the water tank back into the dehumidifier, make sure to press it firmly with your hands to ensure it is properly secured. If the water tank is not correctly positioned, the sensors or protections that prevent water overflow may not function properly.

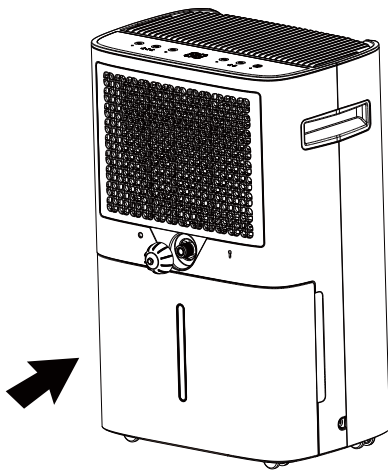


OPERATION INSTRUCTIONS

7. Continuous Drainage

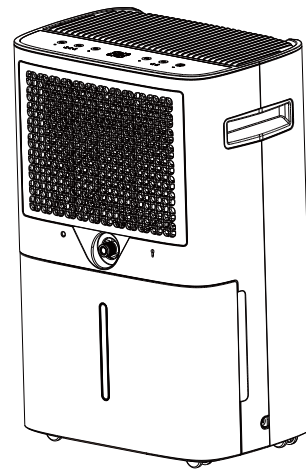
- Unplug the dehumidifier.
 - Unscrew the drainage cap and remove the black rubber plug.
 - Insert a water hose into the continuous drainage port and push it into the water tank.
 - Ensure that the water hose outlet is positioned at least 3.9 inches lower than the drainage port.
 - Reconnect the power supply and start the dehumidifier.
- Note: The continuous drainage port has a diameter of 0.63 inches.

1



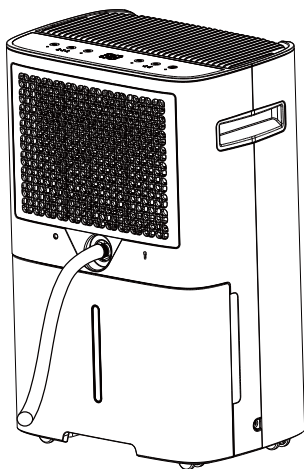
Unscrew the drainage outlet cap.

2

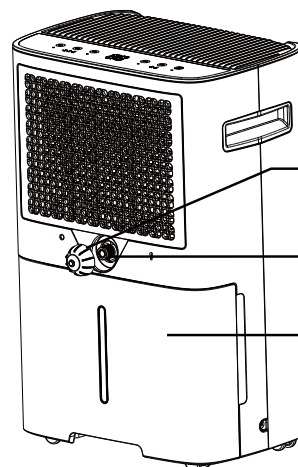


Remove the black rubber plug.

3



Insert the water hose into the continuous drainage port.



Drainage Cap

Rubber Plug

Water Tank

CLEANING AND MAINTENANCE

WARNING:

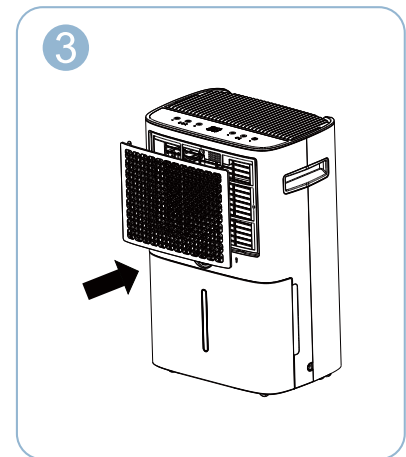
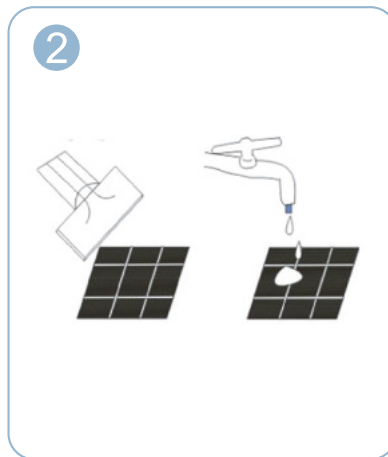
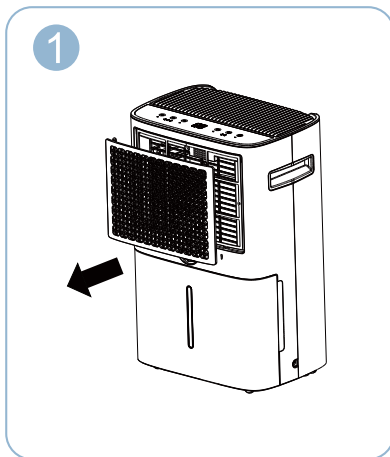
Before cleaning, turn off and unplug the appliance.

Cleaning the dehumidifier:

- Use a soft and slightly damp cloth or gentle brush to clean the exterior surface.

Cleaning the filter:

- Pull out the filter from the dehumidifier.
- Clean the filter surface by gently using a vacuum cleaner to remove dust. If the filter is heavily soiled, gently wash it with warm water and a mild detergent. Make sure to rinse it thoroughly and allow it to dry completely.
- Carefully insert the filter back into the machine body, ensuring it is properly positioned.



Dehumidifier storage:

When storing the dehumidifier, follow these steps:

- Empty the water tank.
- Coil the power cord.
- Clean the filter.
- Place the dehumidifier into a storage protection bag.
- Store the appliance in a cool and dry location.

TROUBLESHOOTING

Please refer to the troubleshooting steps below to resolve any issues that may occur with the unit.

The following list includes common cases. However, it does not cover issues caused by defective units, craftsmanship or materials within the unit.

Fault	Reason	Solution
Dehumidifier does not work	The appliance is not plugged in.	Ensure that the unit's plug is securely inserted into the power outlet.
	If the 'Full Tank' indicator is blinking, the tank is full or in the wrong position.	Empty the tank and position it properly.
	The room temperature is above 95°F (35 °C) or below 41°F (5°C).	The appliance is not suitable for extreme hot or cold environments. It enters the Protection Mode in these conditions – this is normal.
	The room temperature is between 41-68° F (5-20°C).	The dehumidifier automatically defrosts in low temperatures, which is a normal process. It resumes dehumidification after defrosting.
	The dehumidifier is in the defrosting process.	The compressor stops during defrosting, which is normal. Wait for defrosting process to finish, then resume dehumidification.
	When the room humidity reaches the preset level or falls below it, the dehumidifier will enter Standby Mode. During this mode, the indicator on the LCD screen will flash.	To effectively dehumidify the room, set the humidity level either 5%RH lower than the current room humidity or set it to 30%RH. Adjusting the humidity level accordingly will help create a more comfortable environment.
	Helps prevent the frequent starting of the machine, preserving energy and ensuring efficient operation.	Wait for more than three minutes before using again.
	Room humidity is low.	The dehumidifier is designed to operate within a humidity range of 30-80%. It will not function properly if the humidity is above or below this range.
The dehumidifier is not effectively drying the air.	The air filter is dirty.	Clean the air filter.
	The air inlet or outlet is obstructed.	Remove the obstruction from the air inlet or outlet.
	The dehumidifier size is too small for application.	Add more dehumidifiers or upgrade to a higher capacity unit for better performance.
	Poor air circulation.	Ensure there is at least 20cm (7.9 inches) of space around the product.
	You haven't given enough time for the appliance to remove the moisture.	Give the dehumidifier time to remove moisture. Allow 3-4 days for desired humidity to be reached after installation.
	Doors and windows are open.	Ensure that doors, windows and other openings are securely closed.
	Low temperature (below 41° F/5°C) hinders dehumidifier performance. Operate within recommended range for optimal efficiency.	Wait for the temperature to rise above 41°F (5°C).
The dehumidifier makes loud noises when in use.	The dehumidifier is on an uneven surface.	Keep the appliance on a flat and even surface.
	The air filter is clogged.	Remove any dirt from the air outlet and intake.
	The filter is not properly installed.	Ensure the filter packaging has been removed, then ensure the filter is installed correctly.
Dehumidifier operates continuously	The dehumidifier is in Continuous Mode.	Avoid setting the humidity too low. A range of 40-50% is generally recommended for optimal use.
	Room humidity is too high.	Modify humidity settings or upgrade to higher capacity dehumidifier
	Doors and windows are open. 13	Ensure that doors, windows and other openings are securely closed.
A leakage has occurred.	Hose connection could be loose.	Ensure the hose is connected firmly to the drainage port.
	The water tank is not properly installed.	Reinstall the water tank properly.
	The water tank float may be stuck	Move the float and let it swing freely.
	The magnet on the float has come off.	Place the magnet in its right position.

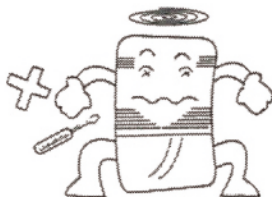
Note:

If the issue persists, power off the unit, unplug the power plug and contact the company for maintenance.

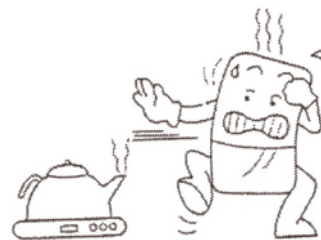
04 SAFETY PRECAUTIONS



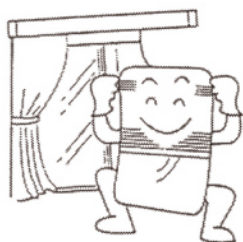
1. During use, do not place the appliance on soft and uneven ground to avoid vibration or movement.



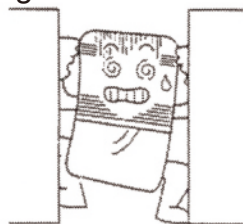
2. Do not use thin rods or hard objects to insert into the fuselage to avoid malfunction and danger.



3. When using, please keep the machine away from heat sources such as heaters and electric kettles to save electricity.



4. When using, please close all doors and windows to achieve the best dehumidifier effect.



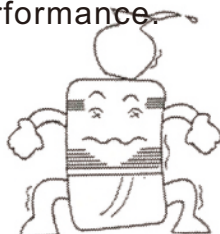
5. Do not place items at the front and back of the appliance. Blocking the ventilation will affect the dehumidifier's performance.



6. In case of power failure or long-term non-use, please unplug the power cord.



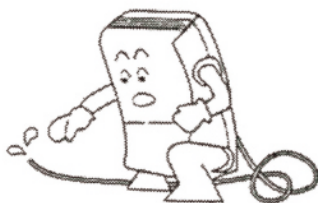
7. When cleaning the fuselage, gently wipe it with a damp cloth. Do not spray with water directly.



8. Do not place any objects on the fuselage.



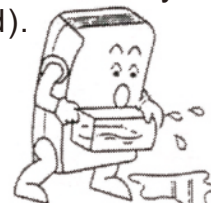
9. Clean the filter once every two weeks {do not use hot water above 104°F{40°C}, alcohol, gasoline or any other fluid}.



10. During continuous drainage, the drainage pipe must be placed horizontally, and must not be uneven and entangled.



11. After the filter is cleaned, please do not place it in direct sunlight to dry as this may cause deformation.



12. Before moving or transporting the machine, pour out the accumulated water in the water tank.

ANTES DEL PRIMER USO:

Por motivo de evitar daños internos, es muy importante mantener las unidades de refrigeración (como ésta) en posición vertical durante todo el viaje.

Deje el deshumidificador en posición vertical fuera de la caja durante **24 HORAS** antes de enchufarlo en la fuente de alimentación.

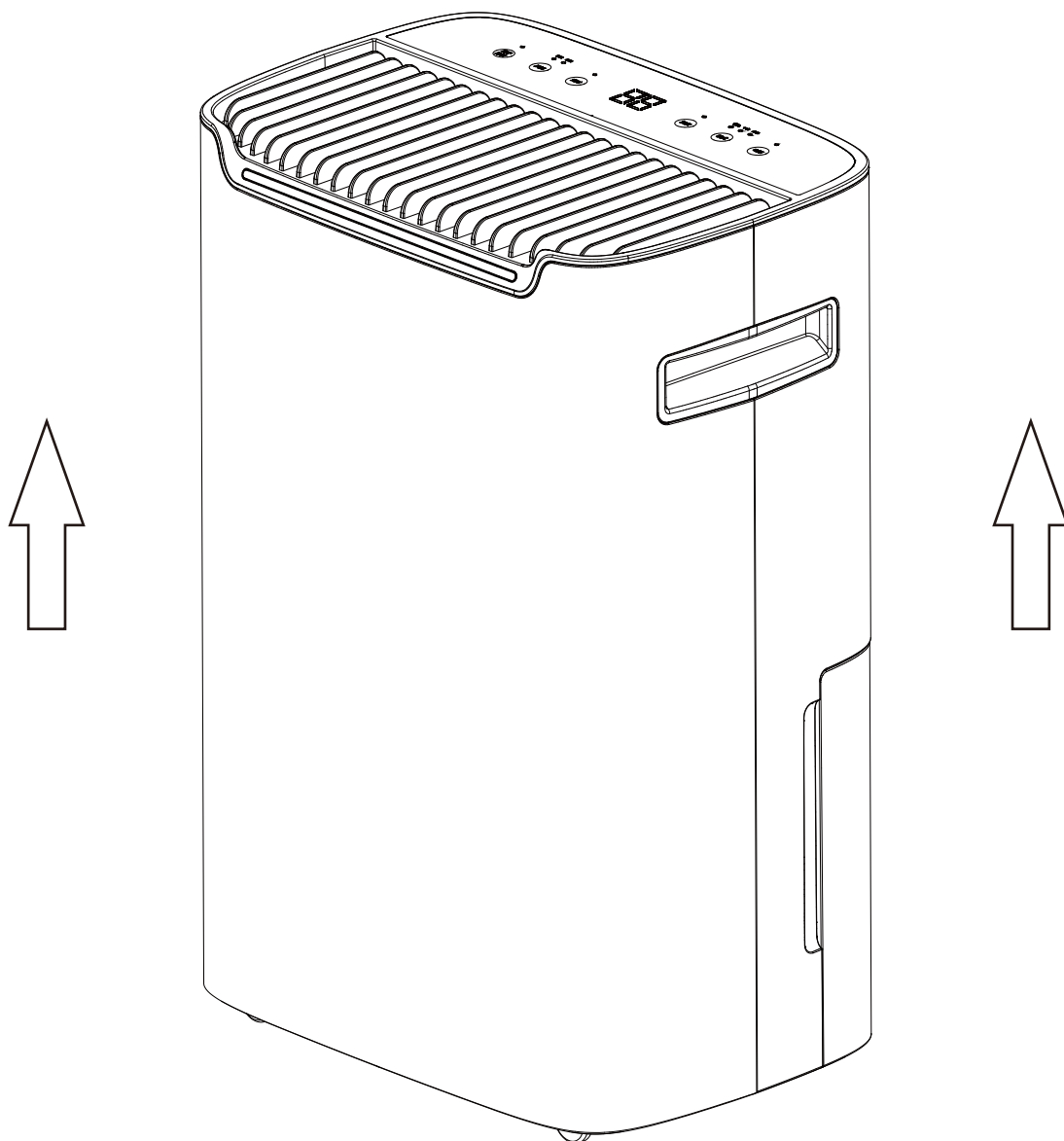


TABLA DE CONTENIDO

PRECAUCIONES DE USO	19
DESCRIPCIÓN DE LAS PIEZAS.....	20
INTERFAZ DE CONTROL	21
Panel de cont.....	21
INSTRUCCIÓN DE OPERACIÓN	22
Configuración.....	22
Descripción del estado de visualización	25
Instrucciones para secar la ropa	25
Fallos y métodos de procesamiento	26
Vaciar el tanque de agua	27
Drenaje continuo	29
LIMPIEZA Y MANTENIMIENTO	30
RESOLUCIÓN DE PROBLEMAS	31
NOTA DE SEGURIDAD	32

PRECAUCIONES DE USO

Notas de seguridad:

Para su seguridad, lea cuidadosamente todo el manual antes de utilizar este producto y guárdelo adecuadamente para las referencias futuras.

Utilice el producto de acuerdo con las instrucciones de instalación y operación de este manual.

Antes de limpiar el deshumidificador, apáguelo y desconéctelo de la toma de corriente.

No coloque el deshumidificador cerca de ninguna fuente de calor ni productos inflamables.

No introduzca dedos ni palos en la entrada o salida de aire.

Siempre coloque el deshumidificador sobre una superficie plana, en lugar de colocarlo en un terreno irregular o inclinado.

No rocíe agua, pesticidas o líquidos inflamables sobre el deshumidificador.

Este deshumidificador no debe colocarse en espacios muy pequeños y estrechos.

Cuando el cable de alimentación esté dañado de alguna manera, deberá ser reemplazado por un técnico calificado aprobado por nuestra empresa.

Cuando utilice la función de secado de ropa, la ropa debe mantenerse al menos a 40 cm de distancia del aire con el fin de evitar que entre agua por la salida de aire y cause daños al deshumidificador.

El cableado de alimentación del deshumidificador debe cumplir con las normas de cableado nacionales, y la línea de alimentación debe conectarse a una línea de tierra externa confiable.

El cableado fijo de la conexión del deshumidificador debe estar equipado con un dispositivo de desconexión de todos los polos (interruptor de aire) con una distancia de descarga eléctrica de al menos 0,118 pulgadas.

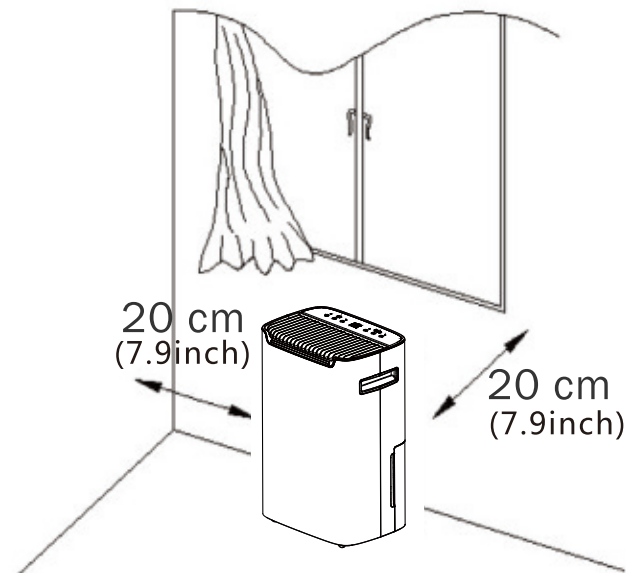
Especificación del modelo de tubo de seguridad: 3,15A.

Este aparato no debe ser utilizado por los niños menores de 8 años ni por las personas con capacidades físicas, sensoriales o mentales reducidas o con falta de experiencia y conocimiento, a menos que hayan recibido supervisión o instrucciones sobre el uso del aparato de manera segura y comprendan los peligros involucrados.

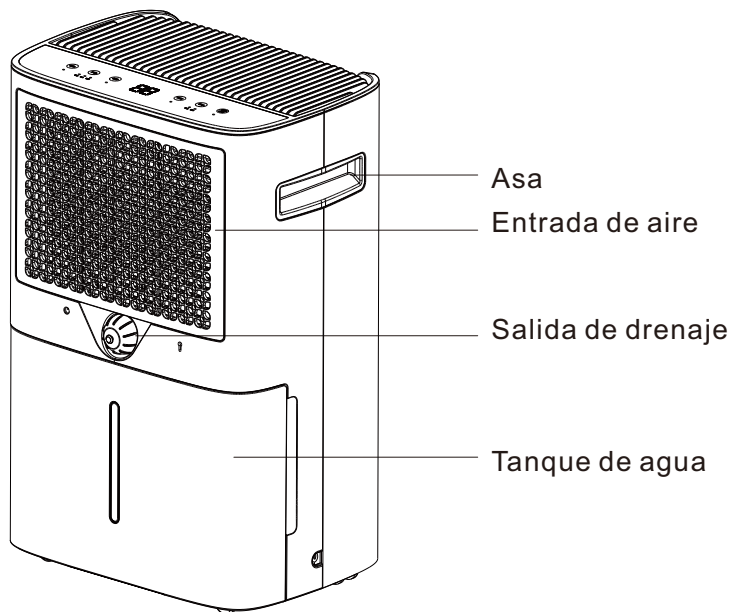
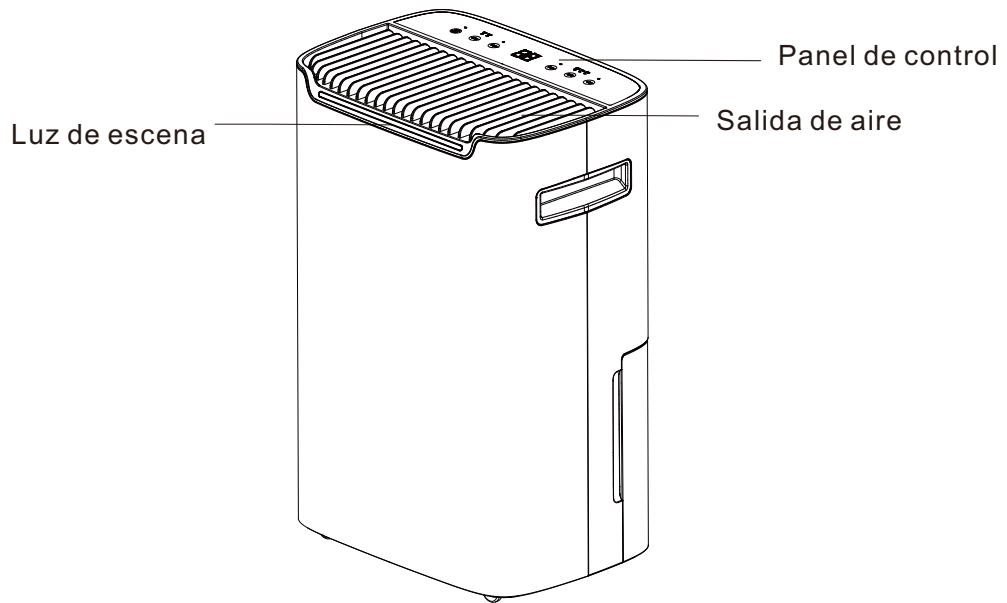
Los niños no deben jugar con este aparato.

No se permite a los niños realizar la limpieza y el mantenimiento del usuario sin supervisión.

Al utilizar el deshumidificador, manténgalo al menos 7,9 pulgadas (20cm) de distancia de otros objetos alrededor del deshumidificador, como lo que se muestra en la imagen de la derecha:

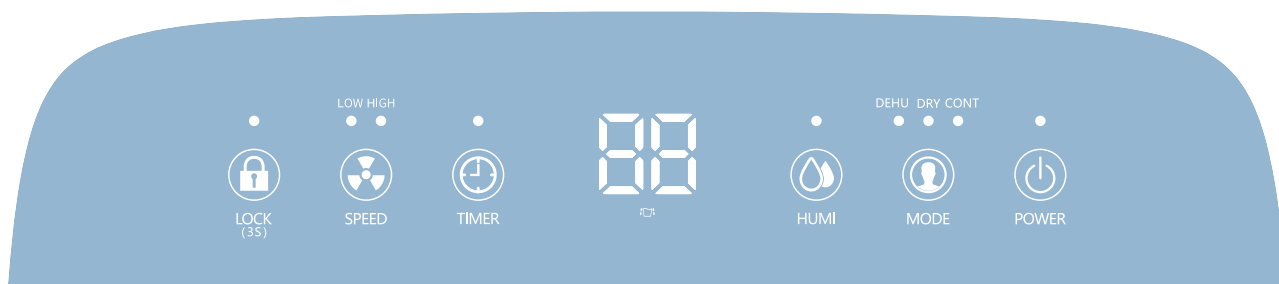


DESCRIPCIÓN DE LAS PIEZAS



INTERFAZ DE CONTROL

1. Panel de control



Botón de ENCENDIDO
Para encender/apagar el deshumidificador.



Botón de MODO
Para seleccionar el modo de funcionamiento entre DEHU (Deshumidificación), DRY (Secado), CONT. (Continuo).



Botón de TEMPORIZADOR
Para configurar el temporizador de encendido/apagado automático de 1 a 24 horas.



Botón de VELOCIDAD
Para seleccionar la velocidad del ventilador entre alta y baja.



Botón de CONFIGURACIÓN
Para configurar la humedad dentro de un rango de 30%RH a 80%RH en incrementos de 5%.



Botón de BLOQUEO
Se utiliza para activar y desactivar la función de bloqueo para niños.



Indicador de AGUA LLENA
Indica que el tanque de agua está lleno.

INSTRUCCIÓN DE OPERACIÓN

2. Configuración

Configuración de la humedad

El nivel de humedad se puede configurar dentro de un rango de 30%RH a 80%RH en incrementos de 5%.

-Cuando el deshumidificador empiece a funcionar, primero detectará y mostrará la humedad de la habitación de manera automática. Presione el botón de "CONFIGURACIÓN" para establecer la humedad en incrementos del 5%. " 88 " parpadeará y mostrará la humedad establecida.



-Presione el botón de "CONFIGURACIÓN" para aumentar o disminuir la humedad en un 5%RH.

-Después de 5 segundos sin ninguna operación, " 88" mostrará la humedad real de la habitación.

-Cuando el nivel de humedad sea mayor o menor que el nivel que usted haya configurado, el deshumidificador empezará a funcionar o se detendrá de manera automática.

-Cuando el nivel de humedad se establece en 30%RH, el deshumidificador funcionará en modo de deshumidificación continua.

Configuración de bloqueo para niños

Mantenga presionado el botón de "  " durante 3 segundos para bloquear o desbloquear el panel de control. Cuando se ha activado la función de "  ", el indicador se enciende y otros botones se desactivan. Por motivo de recuperar el uso de otros botones, desbloquee este botón de control.

Configuración del temporizador

Esta función de configuración del TEMPORIZADOR está diseñada para permitirle configurar la hora para apagar o encender el deshumidificador automáticamente mediante el temporizador.

1.Presione el botón de "TEMPORIZADOR" para seleccionar el tiempo en incrementos de 1 hora. Puede configurar el temporizador hasta por 24 horas. Empezará la cuenta regresiva cuando inicie el cronómetro.

2.Mantenga presionado el botón de "TEMPORIZADOR" durante varios segundos para acelerar la selección del temporizador.


3.Si la hora se establece en 00, se considera "hora no válida". Si el temporizador se configura de manera correcta, la luz indicadora de "TEMPORIZADOR" se encenderá. La pantalla LED mostrará el tiempo restante si presiona el botón de "TEMPORIZADOR" y mostrará la humedad actual de manera automática después de unos segundos.

Botón de velocidad

Controla la velocidad del ventilador. Presione este botón para seleccionar la velocidad del ventilador Alta o Normal.


La velocidad más alta del ventilador resultará en una deshumidificación más rápida. Configure la velocidad alta para eliminar la humedad al máximo. Vuelva a configurar la velocidad del ventilador a Normal cuando la humedad se haya disminuido o se prefiera un funcionamiento silencioso.

Modo de “DRY” (Secado de ropa)



Presione el botón de “” hasta que vea que el indicador de “DRY (Secado)” se enciende en la pantalla para seleccionar el modo de “SECADO DE ROPA”. En el modo de “DRY (Secado)”, el deshumidificador funcionará continuamente a alta velocidad del ventilador.

Nota: En el modo de “DRY (Secado)”, el botón de “CONFIGURACIÓN” y el botón de “VELOCIDAD” no están disponibles.

Modo de “CONT” (Continuo)

Presione el botón “” hasta que vea que el indicador de “CONT (Continuo)” se enciende en la pantalla para seleccionar el modo continuo. En el modo de “CONT (Continuo)”, el deshumidificador funcionará continuamente hasta que el tanque de agua esté lleno.

Protección antidesbordamiento

Cuando el tanque de agua esté lleno, el deshumidificador se apagará automáticamente. El indicador “” parpadeará. Después de vaciar el agua del tanque de agua, el indicador “” se apagará, y el deshumidificador volverá a funcionar.

Precaución:

El tanque de agua debe colocarse en la posición correcta; de lo contrario, la alarma de “agua llena” se activará.

Drenaje conveniente

Cuando el tanque de agua esté lleno, se encenderá el indicador de “AGUA LLENA”. No se necesita revisar el tanque de agua con frecuencia.

Drenaje automático: El deshumidificador cuenta con una salida de drenaje continuo, se necesita simplemente conectar una manguera de 6,56 pies para drenar continuamente.

Drenaje manual: Cuando el tanque de agua esté lleno, se encenderá el indicador de “AGUA LLENA”, el deshumidificador se apagará de manera automática, y cuando el tanque se vacíe y se vuelva a colocar en su lugar correctamente, el deshumidificador se iniciará automáticamente.

Más funciones

Apagado automático

Cuando el tanque de agua esté lleno o la humedad de la habitación alcance el valor establecido, el deshumidificador dejará de funcionar de manera automática.

Protección de retardo de 3 minutos

El compresor cuenta con la función de “Protección de retardo de 3 minutos”: Cuando el deshumidificador está encendido, el compresor sólo puede volver a arrancar después de 3 minutos de su último apagado.

Descongelación automática

Cuando el deshumidificador esté funcionando a una temperatura más baja, el sistema determinará automáticamente si hay escarcha. Si hay escarcha, se descongelará de manera automática.

El ventilador funcionará a alta velocidad de ventilador y el compresor se detendrá.

El indicador de “ENCENDIDO” parpadeará durante el proceso de descongelación.

Reinicio automático


Si el deshumidificador se apaga accidentalmente debido a un corte de energía mientras está funcionando o en espera, el deshumidificador se reiniciará de manera automática con la configuración de función anterior (modo de funcionamiento, el valor de humedad establecido, y la velocidad del ventilador, etc.) cuando se restablezca la energía.


4 configuraciones de luz de escena

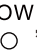
S/N	Color de la lámpara	Estado aplicable
1	Amarillo	Humedad ambiental < 50%
2	Verde	$50\% \geq$ Humedad ambiental < 70%
3	Rojo	Humedad ambiental > 70%


3. Descripción del estado de visualización


Cuando el deshumidificador está actualmente encendido, antes de realizar más operaciones, sólo el botón de encendido se ilumina.

Luz indicadora de configuración de “”: Si el temporizador está configurado correctamente, esta luz indicadora se encenderá, y parpadeará si presiona el botón de “TEMPORIZADOR” de nuevo para verificar y restablecer. Y si la configuración no se realiza de manera correcta, la luz indicadora se apagará.

Luz indicadora de alta velocidad “”: Si el deshumidificador está configurado en modo de ventilador de alta velocidad, esta luz indicadora se iluminará.

Luz indicadora de baja velocidad “”: Si el deshumidificador está configurado en modo de ventilador de baja velocidad, esta luz indicadora se iluminará.

Luz indicadora de deshumidificación “”: Cuando el deshumidificador empiece a deshumidificar, esta luz indicadora se encenderá.

Luz indicadora de agua llena “”: Cuando el tanque de agua esté lleno, esta luz indicadora parpadeará.

Cuando el deshumidificador esté funcionando normalmente, “88” mostrará la humedad actual.

4. Instrucciones para secar la ropa

1-El deshumidificador se puede utilizar para secar la ropa en tiempo de lluvia.

Paso 1.

Cuelgue la ropa lavada en un espacio pequeño como guardarropa, baño o trastero, etc.

Nota: Mantenga el deshumidificador alejado de las gotas de agua de la ropa lavada.

Paso 2.

Encienda el deshumidificador y ajuste el nivel de humedad al 30%RH. Lo mejor es dejar que la salida de aire del deshumidificador sople aire directamente a la ropa.

2.El resultado de secado variará según el grosor de la ropa, la cantidad de prendas y el tamaño del espacio de secado. En teoría, el resultado será mejor cuando hay poco ropa, la ropa es fina y el espacio es pequeño.

3.El proceso de secado dura entre 3 y 8 horas, y se recomienda utilizar el modo de drenaje continuo para secar la ropa.

5.Fallos y métodos de procesamiento

Fenómeno de falla	Análisis de causas	Método de solución
La humedad mostrada siempre es: "25RH" (Es bastante diferente de la humedad real.)	¿Fallo del sensor de humedad?	Configure la humedad en 30%RH, el deshumidificador aún puede seguir funcionando y puede utilizarse normalmente.
		Repáre y reemplace el sensor de humedad.
La humedad mostrada siempre es: "99%RH" (Es bastante diferente de la humedad real.)	1.¿Hay agua en la superficie del sensor de humedad? 2.¿Fallo del sensor de humedad?	El deshumidificador no se ve afectado y puede seguir funcionando y utilizarse normalmente.
		Deje que el deshumidificador siga funcionando durante un tiempo. Después de eliminar el agua de la superficie del sensor de humedad, el deshumidificador volverá a funcionar normalmente.
		Repáre y reemplace el sensor de humedad.

Nota:

Antes de encender el deshumidificador, asegúrese de que la salida de aire esté abierta; de lo contrario, el deshumidificador se sobrecalentará. No desenchufe el cable de alimentación directamente para detener el deshumidificador.

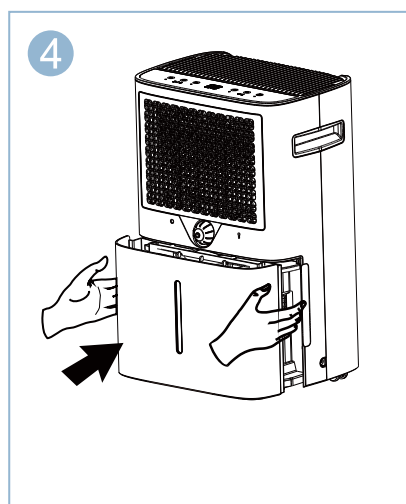
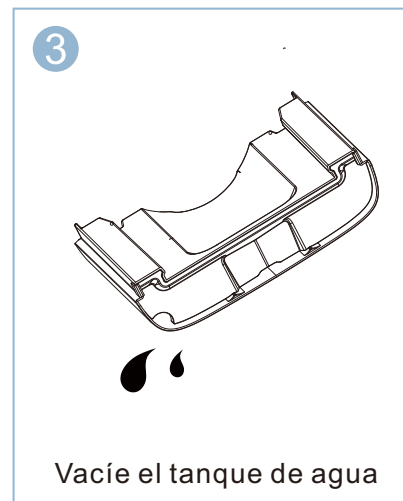
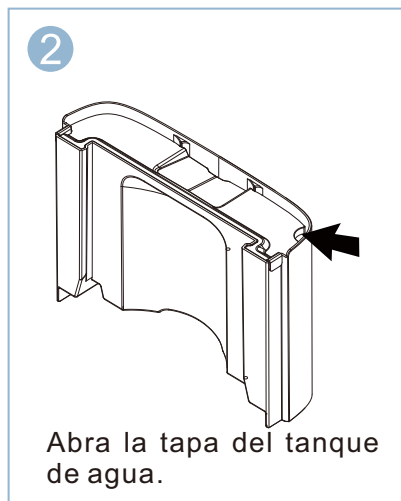
6. Vaciar el tanque de agua

Hay dos maneras disponibles para eliminar el agua acumulada.

Utilizar el tanque de agua

Cuando el tanque de agua esté lleno, el indicador de "AGUA LLENA" se iluminará y el deshumidificador se apagará automáticamente hasta que el tanque de agua se vacíe y se vuelva a colocar en el deshumidificador adecuadamente.

Maneras de vaciar el tanque de agua



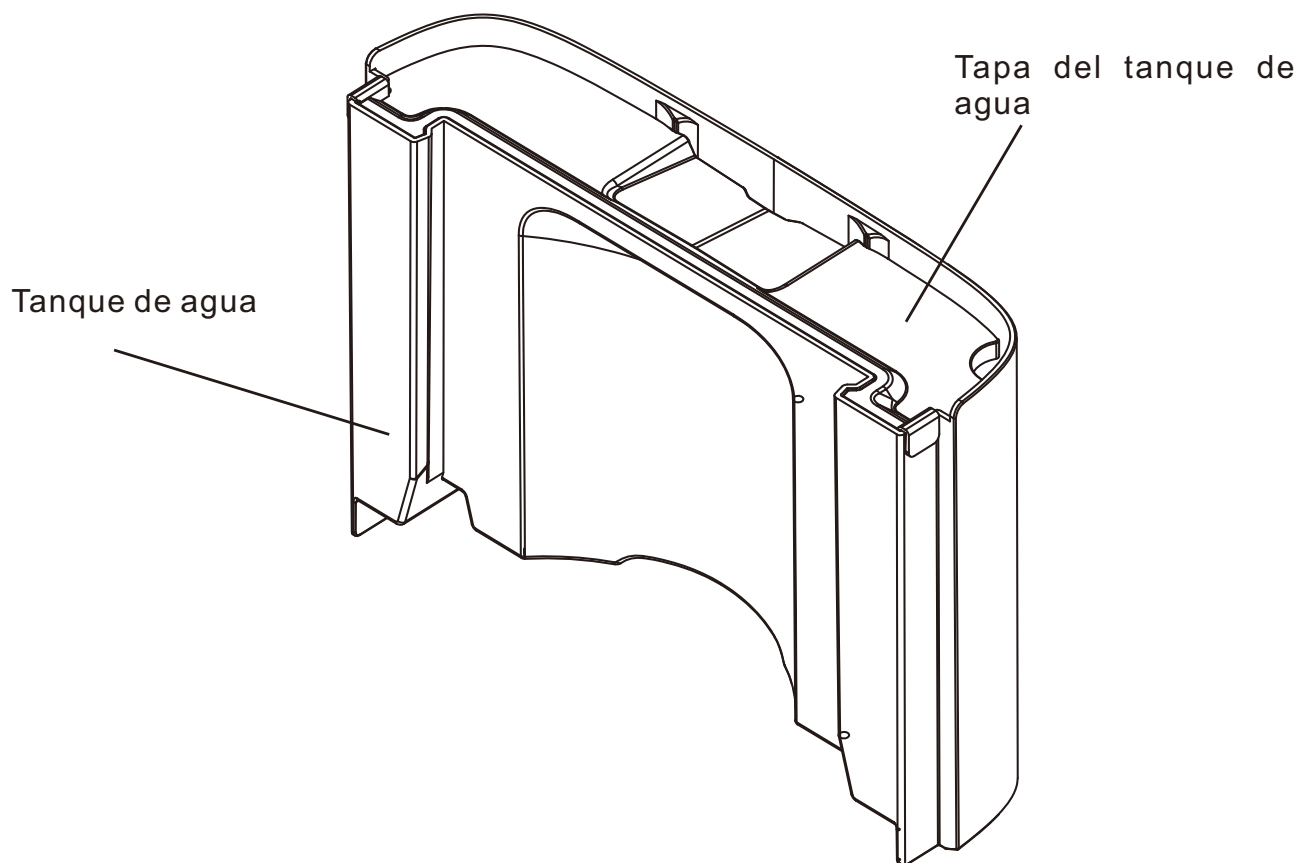
Vuelva a colocar el tanque de agua en su lugar, el indicador de "agua llena" se apagará.

Nota:

No retire el flotador del tanque de agua. Si el flotador se retira del tanque de agua, es posible que el sensor no pueda determinar el nivel de agua acumulada en el tanque de agua de manera correcta, lo que puede provocar que el tanque de agua se desborde y tenga fugas.

Si el tanque de agua está sucio, simplemente límpielo con agua fría o tibia. No utilice detergentes, lana de acero, trapos tratados químicamente, gasolina, benceno, diluyentes u otros disolventes, ya que esto puede causar daños al tanque de agua y provocar fugas.

Al volver a colocar el tanque de agua, presione el tanque de agua con ambas manos para colocarlo en su lugar. Si el tanque de agua no está colocado de manera correcta, es posible que los sensores o protecciones contra desbordamiento de agua no puedan funcionar como se esperaba.



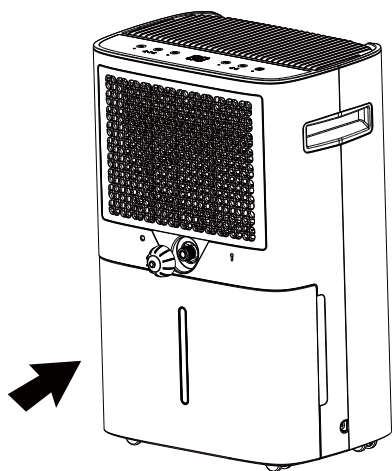
7. Drenaje continuo

Desenchufe el deshumidificador de la fuente de alimentación, desenrosque la tapa de drenaje, retire el tapón de goma negro, inserte la manguera de agua en el puerto de drenaje continuo y empújela hacia el tanque de agua de nuevo.

Conecte el deshumidificador a la fuente de alimentación para empezar la operación. La salida de agua de la manguera de agua debe estar más baja que el puerto de drenaje continuo en más de 3,9 pulgadas, y la manguera de agua no se puede doblar.

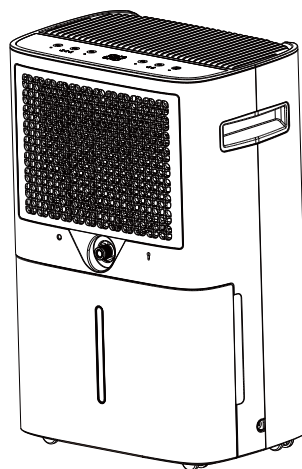
(Nota: El diámetro del puerto de drenaje continuo es de 0,63 pulgadas).

1



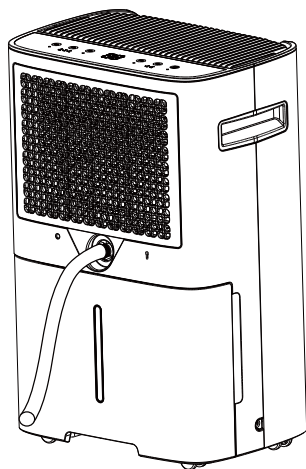
Desenrosque el tapón de salida de drenaje.

2

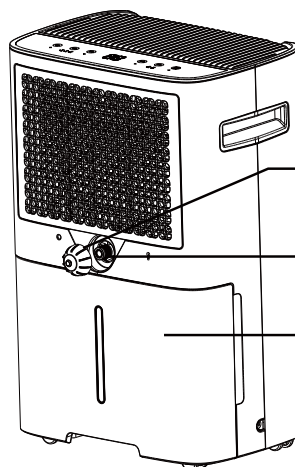


Inserte la manguera de agua en el puerto de drenaje continuo.

3



Inserte la manguera de agua en el puerto de drenaje continuo.



Tapa de drenaje

Tapón de goma

Tanque de agua

LIMPIEZA Y MANTENIMIENTO

ADVERTENCIA:

Apague el deshumidificador y desconecte el enchufe de la toma de corriente de pared antes de limpiarlo.

A- Limpiar el cuerpo del deshumidificador

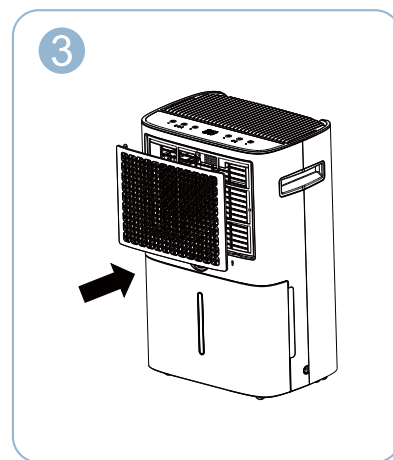
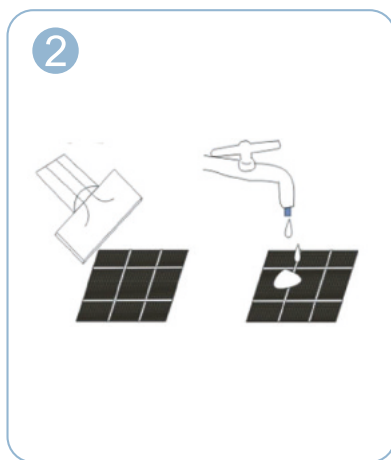
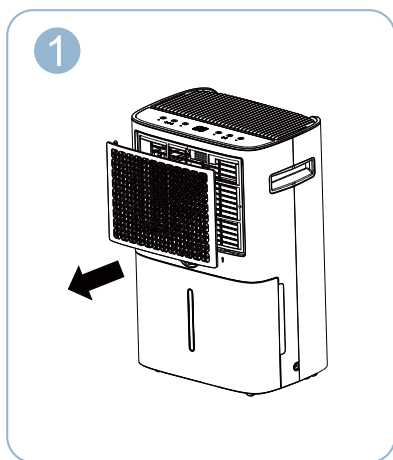
Utilice un tejido o paño suave y ligeramente humedecido para limpiarlo.

B- Limpiar el filtro

1. Saque el filtro.

2. Limpie el filtro: Utilice una aspiradora para eliminar suavemente el polvo de la superficie del filtro. Si el filtro está muy sucio, límpielo con agua tibia y detergente suave, y luego séquelo por completo.

3. Inserte lentamente el filtro en el cuerpo del deshumidificador de nuevo.



C-Guardar el deshumidificador

Si quiere guardar el deshumidificador porque no lo utiliza durante largo plazo. Tenga en cuenta los siguientes pasos:

1. Vacíe el agua del tanque de agua.

2 Enrolle el cable de alimentación y átelo.

3. Limpie el filtro.

4. Cubra el deshumidificador con una bolsa protectora de almacenamiento.

5. Coloque el deshumidificador en un lugar fresco y seco.

RESOLUCIÓN DE PROBLEMAS

Consulte la siguiente información para conocer los pasos de resolución de problemas que le ahorrará tiempo para resolver los problemas que puedan ocurrir con el deshumidificador. Esta lista incluye los casos más comunes, pero no incluye los resultados de unidad defectuosa, artesanías o materiales en la unidad.

Problema	Causa	Método
El deshumidificador no funciona.	El cable de alimentación no está conectado.	Asegúrese de que el enchufe del deshumidificador esté enchufado a la toma de corriente correctamente.
	¿Está parpadeando el indicador de "agua llena"? (El tanque de agua está lleno o está en una posición incorrecta.)	Vacíe el agua del tanque de agua, luego vuelva a colocar el tanque de agua en su lugar.
	¿La temperatura ambiente es superior a 95°F (35°C) o inferior a 41°F (5°C)?	Este producto no es adecuado para utilizarse en ambientes demasiado sobrecalentados o fríos, el deshumidificador entrará en modo de protección automáticamente. Es un fenómeno normal.
	¿La temperatura ambiente está entre 41°F (5°C) y 68°F (20°C)?	Cuando la temperatura ambiente es más baja, el deshumidificador se descongelará automáticamente, esto es un fenómeno normal. Reiniciará la deshumidificación de nuevo cuando se complete el proceso de descongelación.
	El deshumidificador está en proceso de descongelación.	Es normal que el compresor se detenga durante el proceso de descongelación. Una vez completado la descongelación, se reiniciará la deshumidificación de nuevo.
	¿La humedad de la habitación es inferior o está alcanzando el nivel de humedad establecido? (Cuando la humedad de la habitación haya alcanzado el nivel establecido, el deshumidificador entrará en modo de espera y el indicador en la pantalla LCD parpadeará.)	Configure la humedad en un 5% RH más baja que la humedad de la habitación o configure la humedad en un 30%RH.
	Esto es para evitar que el deshumidificador arranque con frecuencia. ¿El deshumidificador deja de funcionar hace un momento?	Espere más de 3 minutos.
La humedad de la habitación está baja.	El deshumidificador está diseñado para funcionar en un rango de humedad del 30% al 80%. Por encima o por debajo de este rango, no funcionará.	
El deshumidificador no seca el aire como debería.	El filtro de aire está sucio.	Limpie el filtro de aire.
	¿Está obstruida la entrada o salida de aire?	Elimine las obstrucciones de la entrada o salida de aire.
	La capacidad del deshumidificador es demasiado pequeña para su aplicación.	Aumente el número de deshumidificadores. O reemplace el deshumidificador por uno de mayor capacidad.
	Circulación de aire mala.	Deje aproximadamente 20cm (7,9 pulgadas) de espacio alrededor del deshumidificador.
	No hay tiempo suficiente para eliminar la humedad.	Deje suficiente tiempo para eliminar la humedad. Al instalar y utilizar el deshumidificador por primera vez, se necesitarán al menos 3-4 días para mantener la humedad relativa deseada.
	La habitación no está cerrada de manera correcta.	Verifique si todas las puertas, ventanas y otras aberturas estén bien cerradas.
	La temperatura ambiente es demasiado baja o inferior a 41°F (5°C): El deshumidificador no puede funcionar o tiene una eficiencia de deshumidificación deficiente cuando la temperatura ambiente es extremadamente baja.	Espere a que la temperatura suba por encima de 41°F (5°C) o más.
El deshumidificador hace mucho ruido al funcionar.	El deshumidificador no está colocado nivelado.	Mueva el deshumidificador a un lugar nivelado.
	¿Hay obstrucciones alrededor de la entrada de aire? El filtro de aire está obstruido.	Limpie la suciedad o pelusa en la salida y entrada de aire.
	¿Está el filtro instalado de manera correcta?	Compruebe si se ha retirado la bolsa de embalaje del filtro y si el filtro se ha instalado en su lugar de manera correcta.
El deshumidificador funciona continuamente.	Compruebe si el deshumidificador está en modo continuo.	No configure la humedad demasiado baja. Generalmente, se establece entre el 40% y el 50% para su uso.
	La humedad de la habitación está demasiado alta.	Cambie la configuración de humedad. O reemplace el deshumidificador por uno de mayor capacidad.
	Las puertas y ventanas están abiertas.	Asegúrese de que todas las puertas, ventanas y otras aberturas estén cerradas adecuadamente.
El agua se desborda del deshumidificador al suelo.	La manguera conectada al conector o la conexión de la manguera pueden estar sueltas.	Conecte la manguera al puerto de drenaje firmemente.
	El tanque de agua no se ha instalado de manera correcta.	Vuelva a instalar el tanque de agua en su lugar adecuadamente.
	El flotador del tanque de agua se ha atascado.	Mueva el flotador y déjelo poder oscilar libremente.
	El imán del flotador se ha caído.	Coloque el imán en su lugar correctamente.

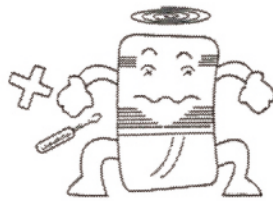
Nota:

Si el problema persiste, apague la fuente de alimentación, desenchufe el enchufe de la toma de corriente, y envíe el deshumidificador de vuelta a nuestra empresa para su reparación.

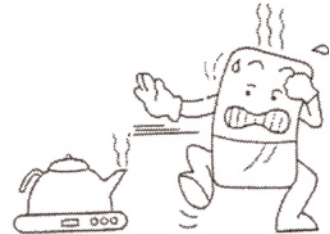
NOTA DE SEGURIDAD



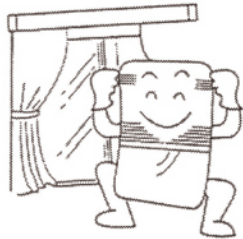
1 Cuando utilice el deshumidificador, no lo coloque sobre terrenos blandos e irregulares con el fin de evitar vibraciones y movimientos.



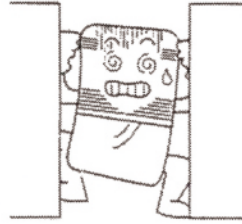
2 No inserte varillas delgadas ni objetos duros en el cuerpo del deshumidificador con el fin de evitar fallos de funcionamiento y peligros.



3 Cuando utilice el deshumidificador, manténgalo alejado de hornos de calefacción, hervidores eléctricos y otras fuentes de calor.



4 Al utilizar el deshumidificador, asegúrese de que todas las puertas y ventanas estén cerradas adecuadamente con el fin de obtener el mejor efecto de eliminación de la humedad.



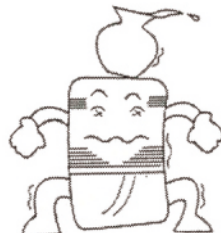
5 No coloque objetos alrededor del cuerpo del deshumidificador. Si se bloquea la ventilación, el efecto de deshumidificación se verá afectado.



6 Si no va a utilizar este producto durante largo plazo, desenchufe el cable de alimentación.



7 Al limpiar el cuerpo del deshumidificador, utilice un paño o tejido humedecido para limpiar suavemente la superficie del deshumidificador, no salpique agua directamente sobre el deshumidificador.



8 No coloque nada sobre el deshumidificador.



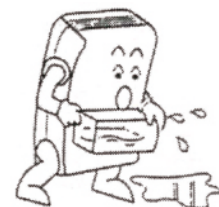
9 Limpie el filtro cada dos semanas. (No utilice agua caliente a más de 104°F ni gasolina tolueno.)



10 Al drenar continuamente, asegúrese de que la manguera de drenaje esté colocada horizontalmente en el suelo. Evite colocar la manguera en una superficie irregular o en una posición arqueada.



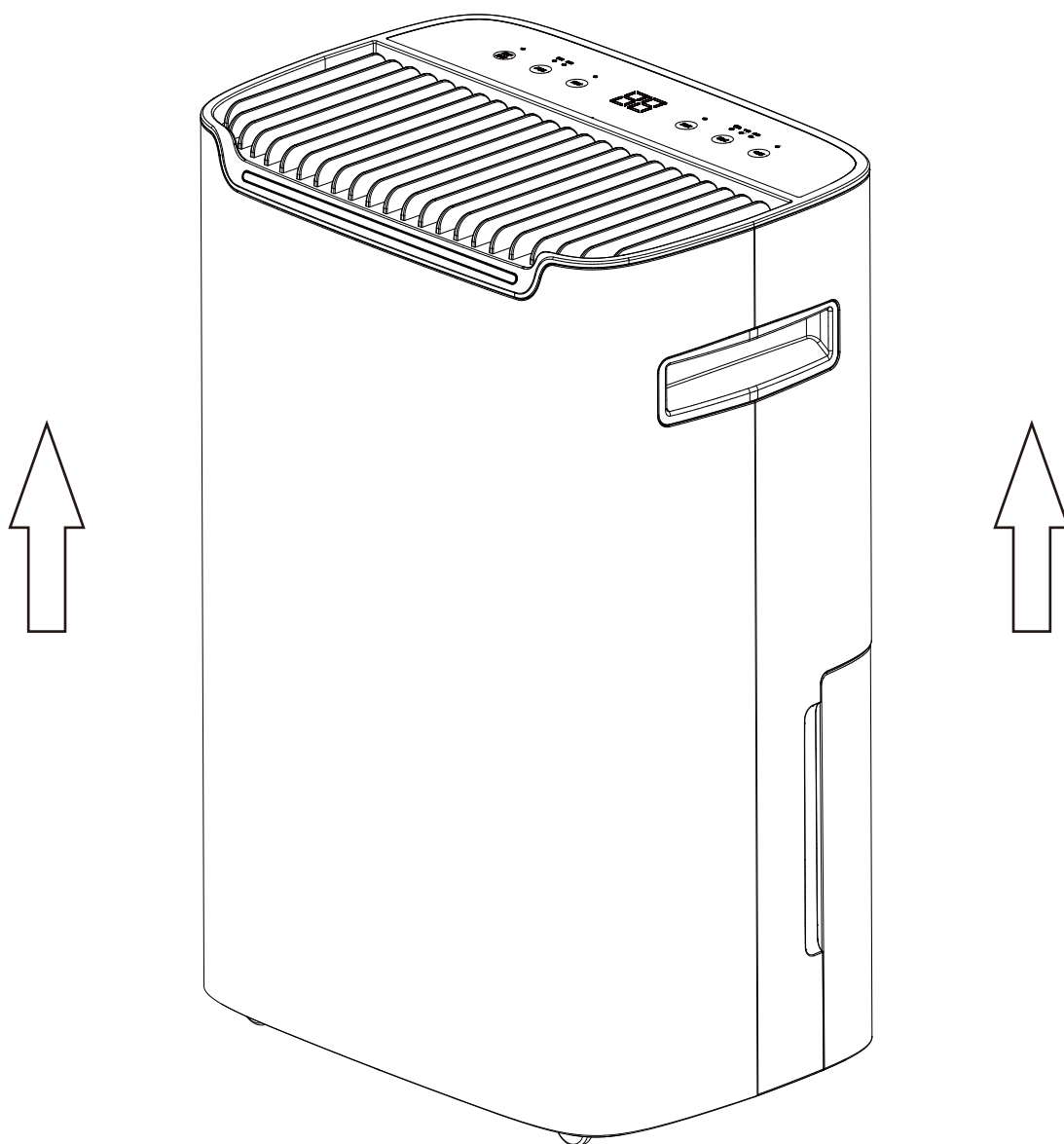
8 No coloque nada sobre el deshumidificador. luz solar directa con el fin de evitar la deformación del filtro.



9 Limpie el filtro cada dos semanas. (No utilice agua caliente a más de 104°F ni gasolina tolueno.)vacíe el tanque de agua.

ANTES DA PRIMEIRA UTILIZAÇÃO:

Para evitar quaisquer danos internos, é muito importante manter as unidades de refrigeração (como esta) na vertical durante toda a viagem. Deixe-a na vertical e fora da caixa por **24 HORAS** antes de ligá-la.



ÍNDICE

CUIDADOS DE UTILIZAÇÃO	37
DESCRIÇÃO DAS PEÇAS	36
INTERFACE DE CONTROLO	37
Painel de Controlo	37
INSTRUÇÕES DE OPERAÇÃO	38
Definição	38
Descrição do Status de Exibição	41
Instruções para Secagem de Roupas	41
Falhas e Métodos de Processamento	42
Esvaziar o Tanque de Água	43
LIMPEZA E MANUTENÇÃO	46
SOLUÇÃO DE PROBLEMAS	47
NOTA DE SEGURANÇA	48

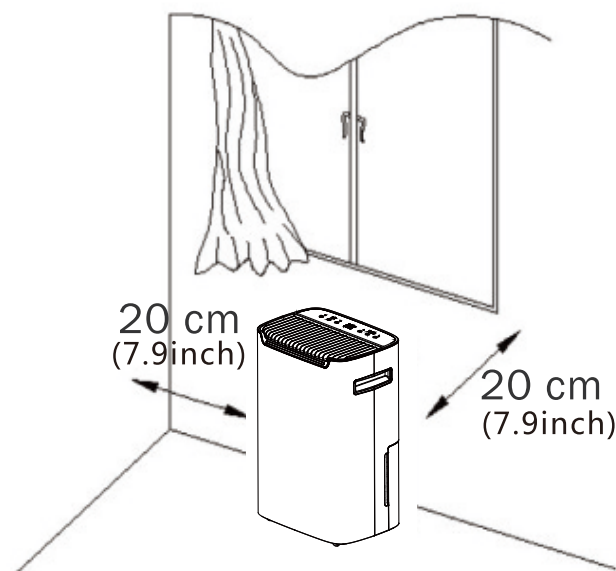
CUIDADOS DE UTILIZAÇÃO

Notas de Segurança:

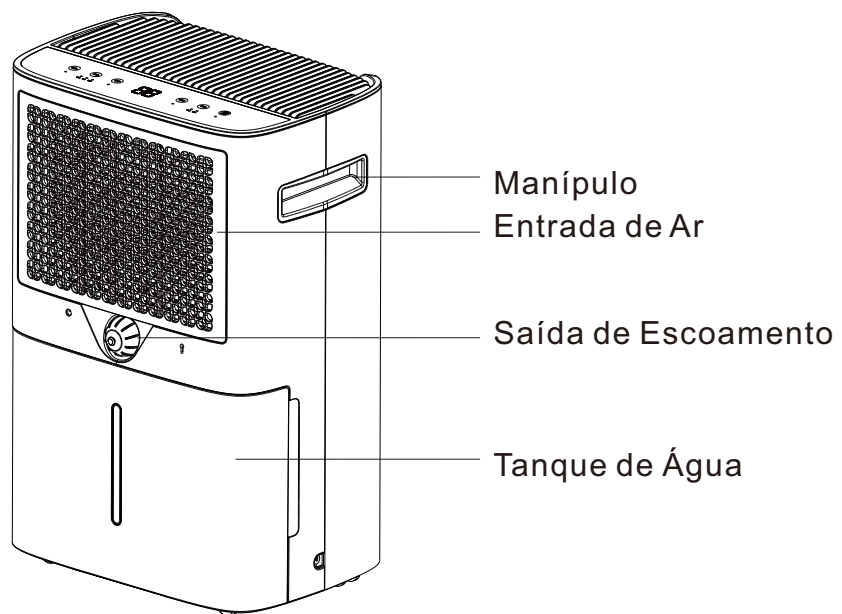
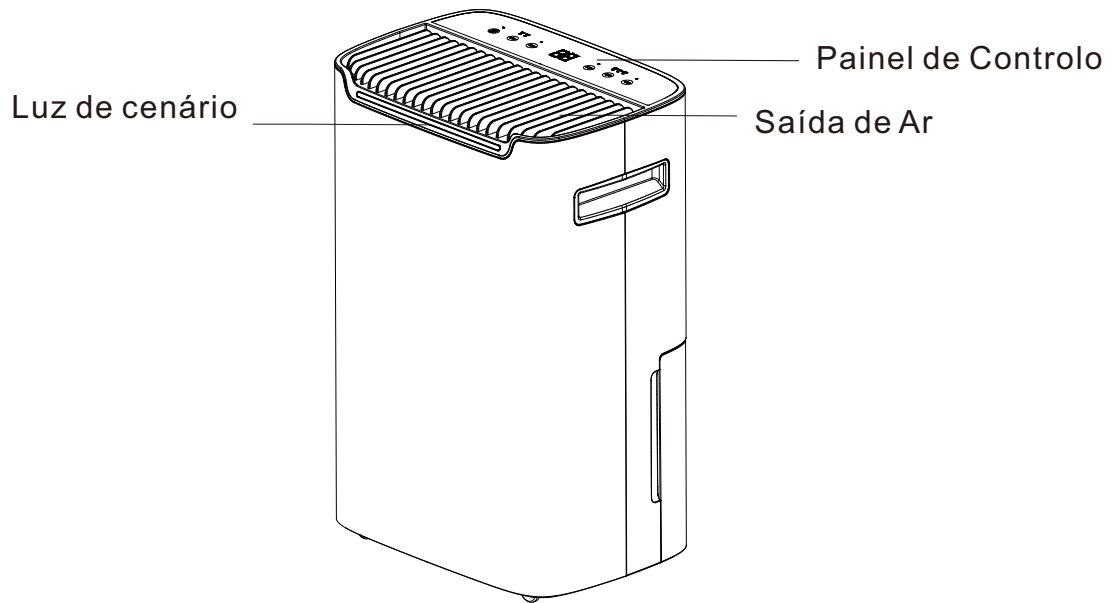
Para sua segurança, leia o manual com cuidado e guarde-o para utilizá-lo como referência.

Utilize este produto de acordo com as instruções de instalação e operação deste manual.

- Antes de limpar o desumidificador, desligue a energia e desligue-o da tomada elétrica.
- Não coloque a máquina próxima a qualquer fonte de calor ou materiais inflamáveis.
- Não coloque os dedos ou bastões na entrada ou saída de ar.
- Prefira manter a máquina sempre sobre uma superfície uniforme em vez de uma irregular ou que deslize.
- Não borrife água, inseticidas ou líquidos inflamáveis sobre a unidade.
- Esta máquina não deve ser colocada em um espaço estreito e confinado.
- Quando o cabo de alimentação estiver danificado, deve ser trocado por um técnico qualificado e aprovado pela empresa.
- Quando utilizar a função de secagem de roupas, elas devem ser mantidas a pelo menos 40cm de distância do ar, para evitar que entre água na saída e danifique a máquina.
- O cabo de alimentação da máquina deve estar de acordo com as regras nacionais de cabeamento e o cabo de alimentação deve ser ligado a um Fio-Terra externo e seguro.
- O cabeamento fixo de ligação da máquina deve ser equipado com um seccionador universal (acionamento de ar) com pelo menos 0,118 polegadas de distância do choque elétrico.
- Especificação do modelo do tubo de segurança: 3,15A
- Este aparelho não deve ser utilizado por crianças menores de 8 anos e pessoas com capacidades físicas, sensoriais ou mentais reduzidas ou falta de experiência e conhecimento, a não ser sob supervisão ou orientações a respeito da utilização do aparelho de modo seguro e que compreendam os riscos envolvidos.
- Crianças não devem brincar com o aparelho.
- A limpeza e manutenção do utilizador não devem ser realizadas por crianças sem supervisão.
- Ao utilizar o desumidificador, outros objetos próximos à máquina precisam ser mantidos a uma distância de pelo menos 7,9 polegadas (20cm), como mostrado na imagem à direita:

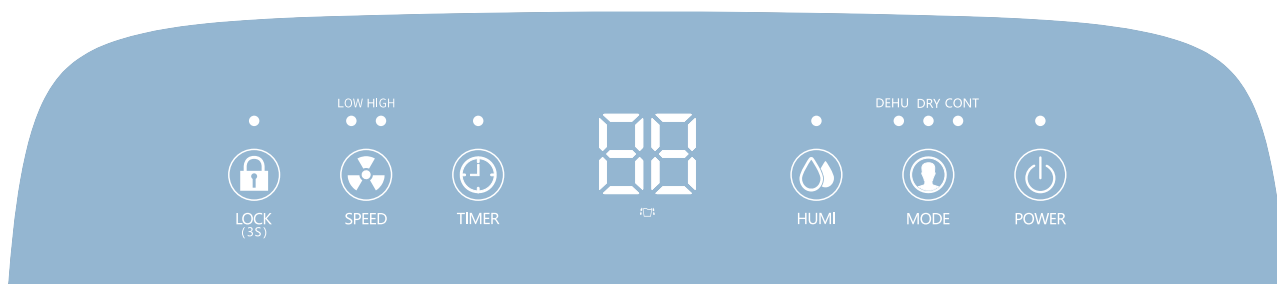


DESCRIBÇÃO DAS PEÇAS



INTERFACE DE CONTROLO

1. Painel de Controlo



Botão POWER
Para LIGAR/DESLIGAR o desumidificador.



Botão MODE
Para selecionar o modo de funcionamento entre DEHU.DRY.CONT.



Botão TIMER
Para LIGAR/DESLIGAR o temporizador em 1 a 24 horas.



Botão SPEED
Para selecionar a velocidade de ventilação entre alta e baixa.



Botão SETTING
Para definir a humidade dentro de um intervalo de 30%HR até 80%HR em incrementos de 5%



Botão LOCK
Utilizado para abrir e liberar a função de trava para crianças.



Indicador WATER FULL
Indica que o tanque de água está cheio.

INSTRUÇÕES DE OPERAÇÃO

2. Definição

Definição de Humidade

O nível de humidade pode ser definido dentro de um intervalo de 30%HR até 80%HR em incrementos de 5%.

- Ao começar a funcionar, ele automaticamente detetará e mostrará a humidade ambiente. Prima o botão "SETTING" para mudar a seleção de humidade em incrementos de 5%." 88 "Piscará e mostrará a definição de humidade.
- Prima "SETTING" para fazer a humidade aumentar ou diminuir em 5%HR.
- Se não houver operação por 5s," 88" mostrará a humidade real do ambiente.
- Quando o nível de humidade for maior ou cair ao nível que foi definido, o desumidificador iniciará automaticamente o funcionamento ou parará.
- Quando o nível de humidade estiver definido como 30%HR, o desumidificador funcionará continuamente no modo de desumidificação.

Definição da Trava de Criança

Prima e segure o botão "🔒" por 3 segundos para travar ou destravar o painel de controlo. Quando a função "🔒" tiver sido ativada, o indicador é iluminado e os demais botões são desativados. Para recuperar a utilização dos botões, destrave o botão de controlo.

Definição do Temporizador

Esta função de definição do TIMER destina-se para definir um tempo para a máquina ligar ou desligar automaticamente.

1. Prima o botão "TIMER" para selecionar o temporizador em incrementos de 1 hora. É possível definir o temporizador até 24 horas. Ele começará a contagem regressiva quando você iniciar o temporizador.
2. Prima e segure o botão "TIMER" por vários segundos para aumentar a velocidade da seleção do temporizador.
3. Se o tempo for definido como 00, será um tempo inválido. Se você definir o temporizador com sucesso, a luz "TIMER" acende. O ecrã de LED mostrará o tempo restante se premir o botão "TIMER" e exibirá automaticamente a humidade atual após alguns segundos.

Botão de Velocidade

Controla a velocidade de ventilação. Prima para selecionar velocidade de ventilação Alta ou Normal.

Velocidade de ventilação mais alta resulta em remoção de humidade mais rápida. Defina a alta velocidade para a remoção máxima de humidade. Quando a humidade tiver sido reduzida e for preferível uma operação mais silenciosa, defina a velocidade de ventilação de volta ao Normal.

Modo DRY (Secagem de Roupas)

Prima o botão "☉" até vir o indicador "DRY" acender na exibição para selecionar o modo DRY-CLOTHES. No modo DRY, o desumidificador opera continuamente na velocidade de ventilação alta.

Nota: No modo DRY, o botão SETTING e o botão SPEED são desativados.

Modo CONT (Contínuo)

Prima o botão "☉" até vir o indicador CONT acender na exibição para selecionar o modo contínuo. No modo CONT, o desumidificador opera continuamente até o tanque de água estar cheio.

Proteção Contra Transbordamento

Quando o tanque de água estiver cheio, a máquina desliga automaticamente. A luz indicadora "🚰" pisca. Após esvaziar a tanque de água, a luz indicadora "🚰" desliga. A máquina reiniciará o funcionamento.

Cuidado:

O tanque de água deve ser colocado na posição correta ou disparará o alarme de tanque cheio.

Escoamento Conveniente

Quando o tanque de água estiver cheio, o indicador de Tanque Cheio acenderá. Não é preciso verificar o tanque continuamente.

Escoamento Automático: O desumidificador possui saída contínua de escoamento, você só precisa ligar a mangueira de 6,56 pés para o escoamento contínuo.

Escoamento Manual: Quando o tanque de água estiver cheio, o indicador de "Tanque Cheio" acenderá, o desumidificador desligará automaticamente e ligará automaticamente quando o tanque for esvaziado e colocado de volta na unidade.

Mais Funções

Desligamento Automático

Quando o tanque de água estiver cheio ou a humidade ambiente alcançar o valor definido, o desumidificador parará automaticamente de funcionar.

Proteção Com Atraso de 3 Minutos

O compressor apresenta a função de "proteção com atraso de 3 minutos" - Quando o desumidificador estiver ligado, o compressor só poderá iniciar novamente 3 minutos após seu último desligamento.

Descongelamento Automático

Quando o desumidificador estiver a executar em uma temperatura mais baixa, o sistema determinará automaticamente se há presença de gelo. Se houver gelo, ele descongela automaticamente.

A ventoinha opera com alta velocidade de ventilação e o compressor para.

Durante o processo de descongelamento, o indicador POWER pisca.

Reinício Automático

Se o desumidificador desligar inesperadamente devido à falta de energia durante a execução ou no modo de espera, o desumidificador reiniciará automaticamente com a definição de função anterior (modo de funcionamento, valor definido de humidade e velocidade de ventilação etc.) quando a energia for restaurada.

4 Definições de cenário de iluminação

S/N	Cor da luz	Status aplicável
1	Amarelo	Humidade ambiente < 50%
2	Verde	50% ≥ Humidade ambiente < 70%
3	Vermelho	Humidade ambiente > 70%

3. Descrição do Status de Exibição

•Quando o dispositivo estiver atualmente ligado, antes de ligar a máquina para mais operações, somente o botão de energia acende.

•Definição de iluminação" ☺ "Se o temporizador estiver corretamente definido, a luz indicadora acenderá; ela piscará se primar o botão TIMER novamente para verificar e redefinir e apagará se a configuração não for bem-sucedida.

•Luz indicadora de alta velocidade" ^{HIGH} ○ ": Se você definir a unidade para o modo de ventilação de alta velocidade, o indicador acenderá.

•Luz indicadora de baixa velocidade" ^{LOW} ○ ": Se você definir a unidade para o modo de ventilação de baixa velocidade, o indicador acenderá.

•Luz de desumidificação" ^{DEHU} ○ ": Quando a máquina começar a desumidificar, a luz indicadora será acesa.

•Luz indicadora de água cheia"  " Quando o tanque de água estiver cheio, este indicador piscará.

•Quando o desumidificador funciona normalmente," 88" mostrará a humidade atual.

4. Instruções para Secagem de Roupas

1 - O desumidificador pode ser utilizado para secar roupas em tempo chuvoso.

Passo 1.

Pendure as roupas molhadas em um espaço pequeno, como um bengaleiro, banheiro ou depósito.

Nota: Afaste a unidade da água a pingar das roupas lavadas.

Passo 2.

Abra o desumidificador e defina o nível de humidade como 30%HR. O melhor é deixar a saída de ar do desumidificador lançar ar diretamente nas roupas.

2. O efeito de secagem varia conforme a espessura das roupas, o número de roupas e o tamanho do espaço de secagem. Em teoria, o efeito será melhor quando forem poucas roupas, finas e em um espaço pequeno.

3. O processo de secagem leva cerca de 3 a 8 horas e sugerimos que o modo de escoamento contínuo seja o mais adequado para secagem de roupas.

5. Falhas e Métodos de Processamento

Fenômeno de Falha	Análise das Causas	Método de Processamento
A humidade sempre mostra: "25RH" (Há uma grande diferença com a humidade real)	Falha do sensor de humidade?	Defina a humidade como 30%HR, o desumidificador ainda poderá funcionar e pode ser utilizado normalmente.
		Repare e troque o sensor de humidade.
A humidade sempre mostra: "99%HR" (Há uma grande diferença com a humidade real)	1. Água na superfície do sensor de humidade? 2. Falha do sensor de humidade?	O desumidificador não é afetado e pode continuar a funcionar, além de poder ser utilizado normalmente.
		Deixe o desumidificador a funcionar por algum tempo, assim que a água na superfície do sensor de humidade for removida, ele voltará ao normal.
		Repare e troque o sensor de humidade.

Nota:

Antes de iniciar a máquina, certifique-se de que a saída de ar tenha sido aberta, do contrário, a máquina sobreaquecerá. Não puxe o cabo de alimentação diretamente para parar a máquina.

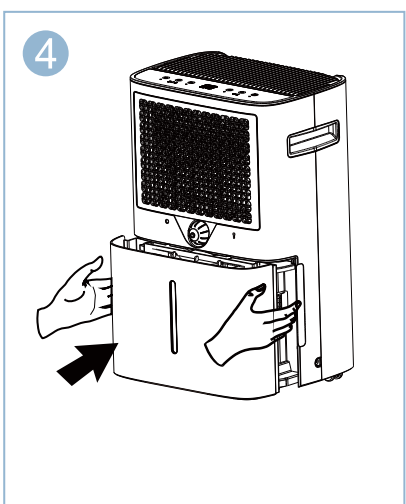
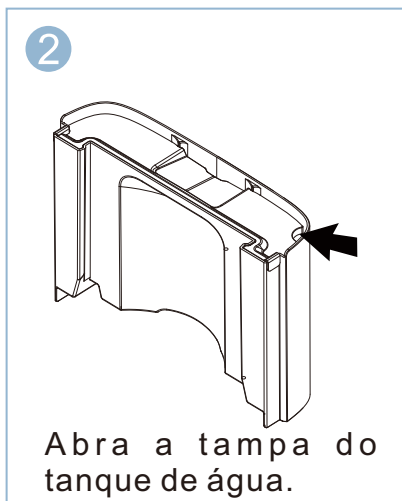
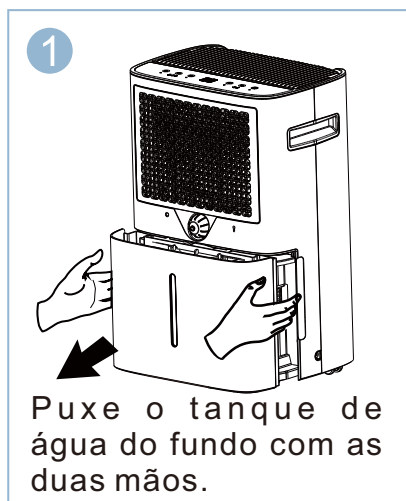
6. Esvaziar o Tanque de Água

Dois modos estão disponíveis para remover a água recolhida.

Utilizar o Tanque de Água

Quando o tanque de água já estiver cheio, o indicador WATER FULL acenderá, o desumidificador desligará automaticamente até que o tanque seja esvaziado e colocado de volta na unidade.

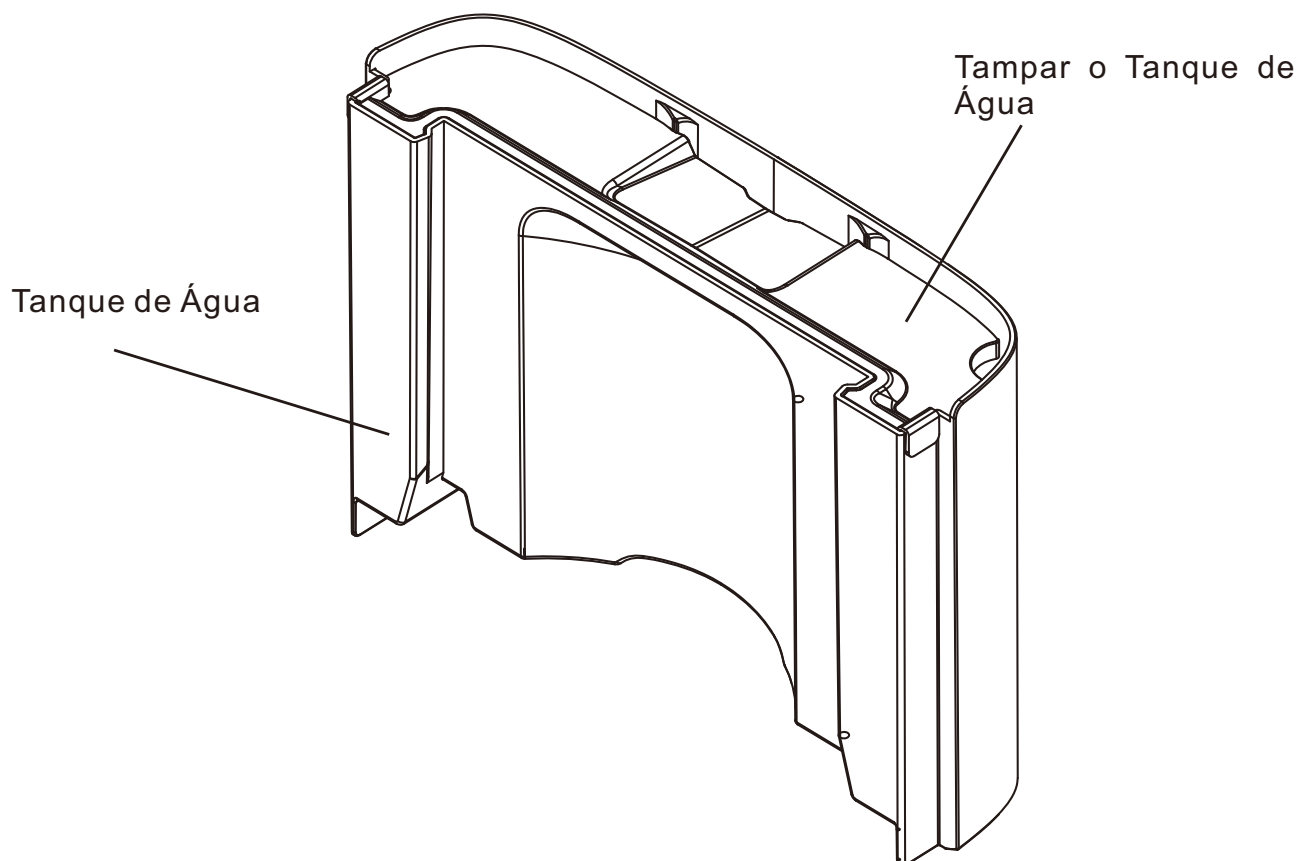
Modos para Esvaziar o Tanque de Água



Coloque o tanque de água de volta no lugar, o indicador de água cheia apagará.

Nota:

- Não retire o flutuador do tanque de água. Se o flutuador no tanque de água for retirado, o sensor pode não conseguir determinar o nível de água armazenado corretamente no tanque, o que pode fazer com que o excesso de água vaze do tanque.
- Se o tanque de água estiver sujo, utilize somente água fria ou quente para limpá-lo. Não utilize detergente, palha de aço, pano de pó tratado quimicamente, gasolina, benzeno, diluente ou outros solventes, do contrário, pode danificar o tanque de água e causar vazamentos.
- Ao colocar o tanque de água de volta, utilize as mãos para premir o tanque de volta no lugar. Se o tanque de água não for colocado corretamente, os sensores ou proteções contra excesso de água podem não operar conforme esperado.



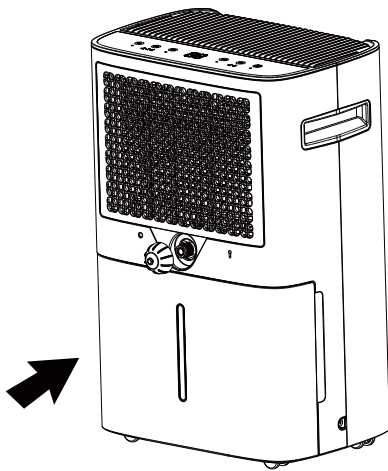
7. Escoamento Contínuo

Puxe a fonte de alimentação, desenrosque a tampa de escoamento, retire o tampão preto de borracha, insira a mangueira d'água na porta de escoamento contínuo e empurre de volta no tanque de água.

Ligue a fonte de alimentação para iniciar a operação. A saída da mangueira de água deve ser menor do que a porta de escoamento contínuo em mais de 3,9 polegadas e a mangueira de água não pode ser torcida.

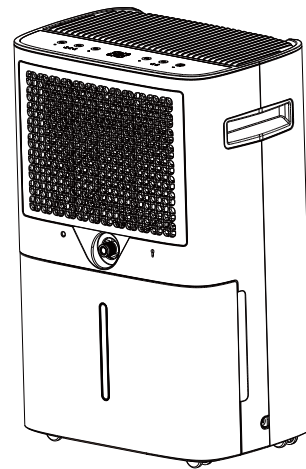
(Nota: O diâmetro da porta de escoamento contínuo é de 0,63 polegadas.)

1



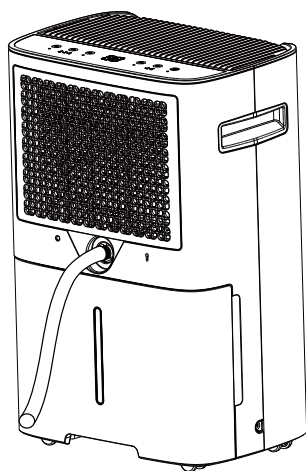
Desenrosque a tampa da saída de escoamento

2

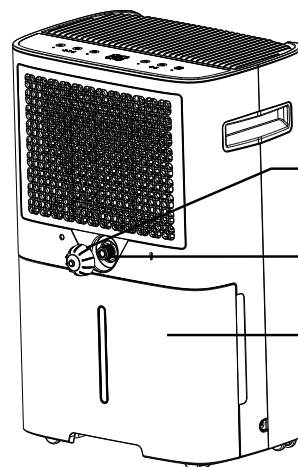


Retire o Tampão Preto de Borracha

3



Insira a mangueira de água na porta de escoamento contínuo.



Tampa de Escoamento

Tampão de Borracha

Tanque de Água

LIMPEZA E MANUTENÇÃO

AVISO

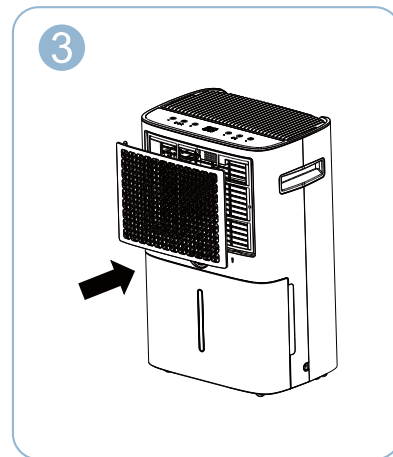
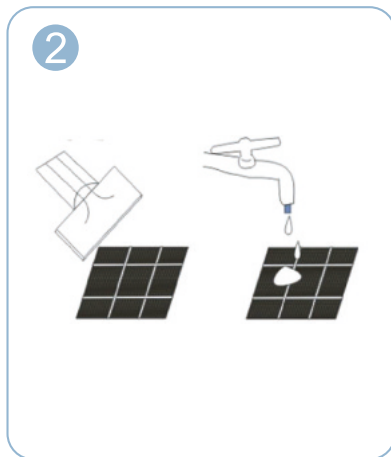
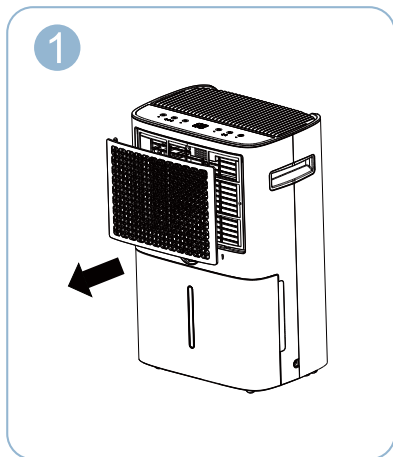
Desligue o desumidificador e retire o tampão da tomada elétrica antes de limpar.

A - Limpar o corpo do desumidificador

Utilize um tecido ou pano macio e ligeiramente húmido para limpá-lo.

B - Limpar o filtro

1. Retire o filtro.
2. Limpar o filtro: Utilize um aspirador para remover gentilmente a poeira da superfície do filtro. Se o filtro estiver muito sujo, limpe-o com água quente e um detergente neutro e seque completamente.
3. Insira lentamente o filtro de volta no corpo da máquina.



C - Armazenamento do desumidificador

Quando quiser guardar o desumidificador porque não o utilizará por muito tempo. Fique atento aos passos a seguir:

1. Esvazie a água do tanque de água.
2. Enrole o cabo de alimentação e amarre-o
3. Limpe o filtro.
4. Cubra o desumidificador com um saco de proteção de armazenamento.
5. Coloque a máquina em um ambiente seco e fresco.

SOLUÇÃO DE PROBLEMAS

Verifique as informações abaixo para as etapas de solução de problemas, o que economizará tempo para resolver os problemas que podem ocorrer com a unidade.

A lista inclui a maioria dos casos comuns, mas não os resultados de uma unidade defeituosa, manufatura ou materiais na unidade.

Problema	Motivo	Método
O desumidificador não interliga	O cabo de alimentação está desligado.	Certifique-se de que a tomada da unidade esteja corretamente inserida na tomada elétrica.
	O indicador de Tanque Cheio está a piscar? (O tanque está cheio ou em uma posição errada.)	Esvazie a água do tanque de água e depois reposicione o tanque.
	A temperatura ambiente está acima de 95°F (35°C) ou abaixo de 41°F (5°C)?	Este produto não se aplica a ambientes muito quentes ou muito frios, a máquina entra automaticamente no modo de proteção. É um fenômeno normal.
	A temperatura ambiente está entre de 41°F (5°C) e 68°F (20°C)?	Quando estiver a executar em temperatura ambiente mais baixa, a máquina descongelará automaticamente, o que é um fenômeno normal. Ela reiniciará a desumidificação novamente até que o processo de descongelamento termine.
	O desumidificador está no processo de descongelamento.	É normal o compressor interromper durante o processo de descongelamento. Aguarde até que o processo termine, ele reiniciará a desumidificação novamente.
	A humidade ambiente é menor ou alcança o nível de humidade pré-definido? (Quando a humidade ambiente tiver alcançado o nível pré-definido, o desumidificador entrará no Modo de espera e o indicador no LCD piscará.)	Defina a humidade como 5%HR menor do que a humidade ambiente ou defina a humidade como 30%HR.
	Dessa forma se evita a inicialização frequente da máquina. A máquina parou de funcionar neste momento?	Aguarde um pouco mais de 3 minutos.
A humidade ambiente está baixa.	O desumidificador destina-se a funcionar em um intervalo de humidade de 30% a 80%. Ele não funcionará quando estiver acima ou abaixo desse intervalo.	
O desumidificador não seca o ar como deveria	O filtro de ar está sujo.	Limpe o filtro de ar.
	A entrada ou a saída de ar estão obstruídos?	Remova a obstrução da entrada ou da saída de ar.
	O tamanho do desumidificador é muito pequeno para a aplicação.	Aumente a quantidade de desumidificadores. Ou troque para um desumidificador com capacidade maior.
	Circulação de ar ruim.	Deixe cerca de 20cm (7,9 polegadas) livres em volta do produto.
	Não leve muito tempo para remover a humidade.	Leve algum tempo para remover a humidade. Quando instalado pela primeira vez, deixe por pelo menos 3 a 4 dias para manter a HR desejada.
	O ambiente não foi fechado o suficiente.	Verifique se todas as portas, janelas e outras aberturas estejam firmemente fechadas.
	A temperatura ambiente está muito baixa ou abaixo de 41 °F (5°C): A máquina não funcionará ou sofrerá uma eficiência de desumidificação ruim em baixa temperatura.	Aguarde até que a temperatura suba para mais de 41°F (5°C) ou maior.
O desumidificador faz um ruído alto durante a operação	O desumidificador não está nivelado.	Movimente a máquina para uma posição horizontal.
	Há algum bloqueio na entrada de ar? O filtro de ar está entupido.	Limpe a sujidade ou fios na saída ou entrada de ar.
	O filtro foi instalado corretamente?	Verifique se o saco da embalagem do filtro foi removido e se o filtro foi instalado corretamente.
O desumidificador opera continuamente	Verifique se o desumidificador está no Modo Contínuo.	Não defina a humidade muito baixa. Geralmente, de 40% a 50% está bom para utilização.
	A humidade ambiente está muito alta.	Mude as definições de humidade. Ou troque para um desumidificador com capacidade maior.
	As portas e janelas estão abertas.	Certifique-se de que todas as portas, janelas e outras aberturas estejam fechadas.
Excesso de água no piso	A mangueira na ligação ou a ligação da mangueira podem estar soltos.	Ligue a mangueira firmemente na porta de escoamento.
	O tanque de água não foi instalado corretamente.	Reinstale corretamente o tanque de água.
	O flutuador do tanque de água ficou preso.	Movimente o flutuador e deixe-o balançar livremente.
	O íman no flutuador saiu.	Coloque o íman na posição correta.

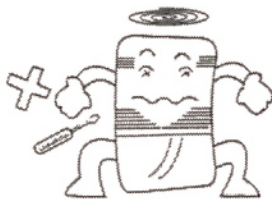
Nota:

Se o problema continuar, desligue a alimentação, desligue a tomada elétrica e envie de volta para nossa empresa para manutenção.

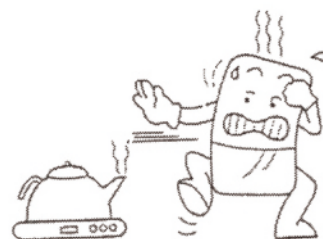
NOTA DE SEGURANÇA



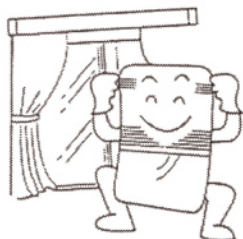
1 Ao utilizar, não coloque a máquina sobre uma superfície macia e irregular, evite vibração e movimentos.



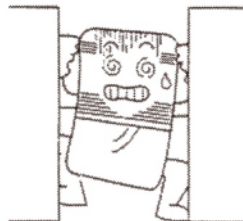
2 Não insira hastes finas e objetos sólidos na fuselagem para evitar falhas e riscos.



3 Durante a utilização, mantenha a máquina distante de fornos quentes, chaleiras elétricas e outras fontes de calor.



4 Durante a utilização, certifique-se de que portas e janelas estejam fechadas para conseguir o melhor efeito de remoção de humidade.



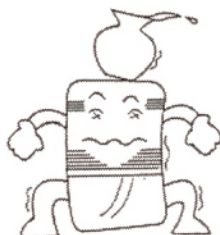
5 Não coloque objetos em volta do corpo. Se a ventilação estiver bloqueada, o efeito de desumidificação será afetado.



6 Se não utilizar o produto por muito tempo, desligue o cabo de alimentação.



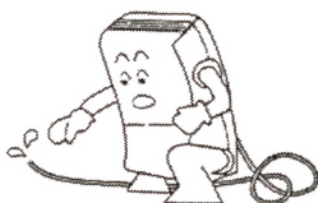
7 Quando limpar a fuselagem do desumidificador, utilize um pano ou tecido húmido para limpar suavemente a superfície da unidade, não molhe a unidade diretamente com água.



8 Não coloque qualquer objeto sobre o desumidificador.



9 Limpe o filtro a cada duas semanas (não utilize água quente acima de 104°F, gasolina ou tolueno)



10 Quando estiver em escoamento contínuo, certifique-se de que o cano de escoamento esteja colocado horizontalmente no chão. Evite que o cano fique sobre uma superfície irregular ou posicionado em arco.



11 Depois de limpar o filtro, não seque a unidade diretamente na luz do sol para evitar a deformação do filtro.



12 Antes de movimentar e transportar a máquina, remova primeiro a água do tanque.

If you have any questions, please contact our customer care center.

US

Our contact details are below:

 001-877-644-9366


 customerservice@aosom.com

Imported by Aosom LLC
27150 SW Kinsman Rd Wilsonville, OR 97070 USA
MADE IN CHINA

Si tiene alguna pregunta, comuníquese con nuestro Centro de Atención al Cliente.

ES

Nuestros datos de contacto son los siguientes:

 0034-931294512


 atencioncliente@aosom.es

IMPORTADOR:
SPANISH AOSOM, S.L.
C/ ROC GROS, Nº 15. 08550, ELS HOSTALETES DE BALENYÀ, SPAIN.
B66295775
WWW.AOSOM.ES
HECHO EN CHINA

If you have any questions, please contact our customer care center.

CA

Our contact details are below:


 416-792-6088

 customerservice@aosom.ca

Imported by Aosom Canada Inc.
7270 Woodbine Avenue, Unit 307, Markham,
Ontario Canada L3R 4B9
MADE IN CHINA

Si vous avez la moindre question, veuillez contacter notre centre d'assistance à la clientèle.

Nos coordonnées sont les suivantes:

 416-792-6088

 customerservice@aosom.ca

Importé par Aosom Canada Inc.
7270 Woodbine Avenue, unité 307,
Markham, Ontario Canada L3R 4B9
Fabriqué en Chine

Se tiver alguma dúvida, por favor contacte o nosso Centro de Atendimento ao Cliente.

PT

Os nossos dados de contacto são os seguintes:

 0034-931294512 (SEG-SEX DAS 7:30H ÀS 16:30H)

 info@aosom.pt.

IMPORTADOR:
SPANISH AOSOM, S.L
C.ROC GROS N.15, 08550. ELS HOSTALETES DE BALENYÀ
WWW.AOSOM.PT

Wenn Sie Fragen haben, wenden Sie sich bitte an unser Kundendienstzentrum.

DE

Unsere Kontaktdaten stehen unten:

 0049-0(40)-88307530  service@aosom.de

ADRESSE DES IMPORTEURE:

MH Handel GmbH
Wendenstraße 309
D-20537 Hamburg
Germany
IN CHINA HERGESTELLT

In caso di dubbio, si prega di contattare il nostro centro assistenza clienti.

IT

I nostri dettagli di contatto sono di seguito:


 0039-0249471447  clienti@aosom.it

IMPORTATO DA:
AOSOM Italy srl
Centro Direzionale Milanofiori
Strada 1 Palazzo F1
20057 Assago (MI)
P.I.: 08567220960
FATTO IN CINA

If you have any questions, please contact our customer care center.

UK

Our contact details are below:

 0044-800-240-4004


 enquiries@mhstar.co.uk

IMPORTER ADDRESS:
MH STAR UK LTD
Unit 27, Perivale Park,
Horsenden lane South
Perivale, UB6 7RH
MADE IN CHINA

Si vous avez la moindre question, veuillez contacter notre centre d'assistance à la clientèle.

FR

Nos coordonnées sont les suivantes:

 0033-1-84166106

 aosom@mhfrance.fr

Importé par:
MH France
2, rue Maurice Hartmann
92130 Issy-les-Moulineaux
France
Fabriqué en Chine