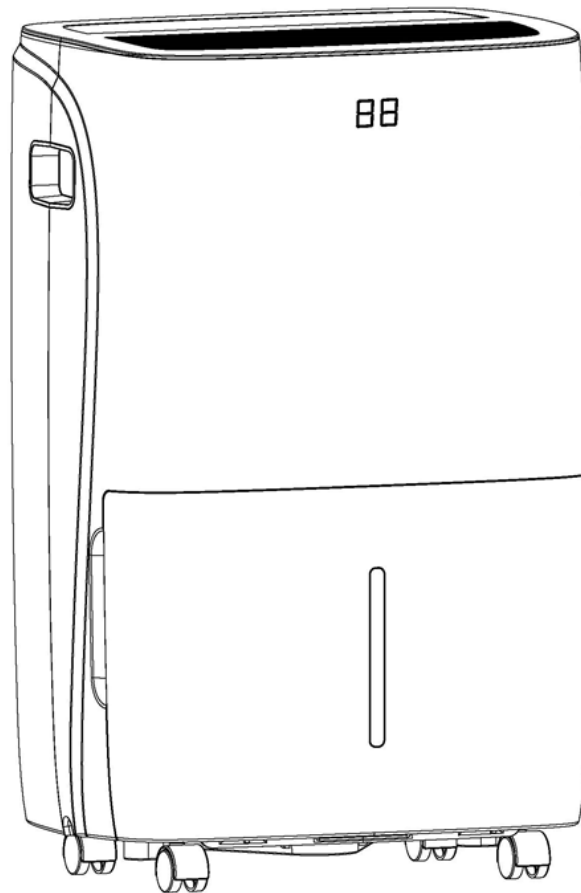




IN240500233V01_UK_IT

821-037V70_821-037V90

EN



EN_IMPORTANT, RETAIN FOR FUTURE REFERENCE: READ CAREFULLY.

**FR_IMPORTANT: A LIRE ATTENTIVEMENT ET À CONSERVER POUR CONSULTATION
ULTÉRIEURE.**

ES_IMPORTANTE, LEA Y GUARDE PARA FUTURAS REFERENCIAS.

PT_IMPORTANTE, RETER PARA REFERÊNCIA FUTURA: LEIA ATENTAMENTE.

DE_WICHTIG! SORFGFÄLTIG LESEN UND FÜR SPÄTERES NACHSCHLAGEN AUFBEWAHREN.

**IT_IMPORTANTE! CONSERVARE IL PRESENTE MANUALE PER FUTURO RIFERIMENTO E
LEggerlo ATTENTAMENTE.**

Please take a few moments to read the instructions thoroughly and familiarize yourself with all the operational aspects of this dehumidifier.

This unit removes unwanted moisture from the air to create a more comfortable environment in your home or office. It can be conveniently moved from room to room within your home.

FEATURES

Powerful Dehumidifying Capability

Taking advantage of refrigeration technology, the dehumidifier powerfully removes moisture from the air to decrease the humidity level of the room and keep the indoor air dry and comfortable.

Lightweight Portable Design

The dehumidifier is built to be compact and lightweight. The casters on the bottom of the unit make it easy to move from room to room.

Low Temperature Operation with Automatic Defrost

When the unit is running in a room temp. between 5°C and 12°C, it will be stop to defrost for every 30 minutes

When the unit is running in a room temp between 12°C and 20°C, it will be stop to defrost for every 45 minutes

Adjustable Humidistat

Adjust the desired humidity level by the humidistat.

Timer On / Off

Program the unit to turn on and off automatically.

Quiet Operation

The dehumidifier operates with a low noise level.

Energy Efficient

The power consumption of the unit is low.

SAFETY WARNINGS

When using the unit, please observe the following safety precautions:

1. Unplug the power supply cord before cleaning or storage .
2. The appliances can be used indoor but not in laundry rooms.
3. Do not set the unit close to heat-generating devices or near flammable and dangerous materials.
4. Never put your fingers or objects into the intake or discharge ducts.
5. Do not sit or stand on the unit.
6. Discard water that has collected in the tank as required
7. Do not operate the dehumidifier in a closed area such as inside a closet, as it may cause a fire
8. Do not sue the unit near edible items ,objects of art, or scientific materials
9. Install drain piping at a downhill grade to make sure that condensed water can be drained continuously.
10. If the power supply cord is damaged it must be replaced by the manufacture or a similarly qualified person in order to avoid a hazard.
11. The appliance must be positioned so that the plug is accessible.
12. Please keep a distance 20 cm around unit and the wall or other objects to ensure air circulation.

13. The appliance shall be installed in accordance with local national wire regulations.
14. The appliance can not be used in public transportation.
15. This appliance can be used by children aged from 8 years and above and persons with reduced physical, sensory or mental capabilities or lack of experience and knowledge if they have been given supervision or instruction concerning use of the appliance in a safe way and understand the hazards involved. Children shall not play with the appliance. Cleaning and user maintenance shall not be made by children without supervision.
16. Children should be supervised to ensure that they do not play with the appliance.
17. Appliances that are obviously damaged must not be operated.



Caution, risk of fire



WARNING

Do not use means to accelerate the defrosting process or to clean, other than those recommended by the manufacturer.

The appliance shall be stored in a room without continuously operating ignition sources (for example: open flames, an operating gas appliance or an operating electric heater).

Do not pierce or burn.

Be aware that refrigerants may not contain an odor.

Appliance shall be installed, operated and stored in a room with a floor area larger than 4 m².

The appliance shall be compliance with national gas regulations.

Servicing shall be performed only as recommended by the manufacturer.

The appliance shall be stored so as to prevent mechanical damage from occurring.

Any person who is involved with working on or breaking into a refrigerant circuit should hold a current valid certificate from an industry-accredited assessment authority, which authorizes their competence to handle refrigerants safely in accordance with an industry recognized assessment specification.

Servicing shall only be performed as recommended by the equipment manufacturer. Maintenance and repair requiring the assistance of other skilled personnel shall be carried out under the supervision of the person competent in the use of flammable refrigerants.

Appliance is filled with flammable gas R290.

Any repairs you need, contact the nearest authorized Service Center and strictly follow manufacturer' s instruction only.

B Warning for disposal:

It is prohibited to dispose of this appliance in domestic household waste. For disposal there are several possibilities

- 1 Do not dispose this product as unsorted municipal waste. .Collection of such waste separately for special treatment is necessary.
- 2 The municipality has established collection systems, where electronic waste can be disposed of at least free of charge to the user.
- 3 The manufacturer will take back the old appliance for disposal at least free of charge to the user.
- 4 As old products contain valuable resources. They can be sold to scrap metal dealers..

Wild disposal of waste in forests and landscapes endangers your health when hazardous substances leak into the ground-water and find their way into the food chain. Meaning of crossed out wheeled dustbin. Do not dispose of electrical appliances as unsorted municipal waste, use separate collection facilities. contact you local government for information regarding the collection systems available. If electrical appliances are disposed of in landfills or dumps. Hazardous substances can leak into the groundwater and get into the food chain, damaging your health and well-being.



This marking indicates that this product should not be disposed with other household wastes throughout the EU. To prevent possible harm to the environment or human health from uncontrolled waste disposal, recycle it responsibly to promote the sustainable reuse of material resources. To return your used device, please use the return and collection systems or contact the retailer where the product was purchased. They can take this product for environmental safe recycling.

SPECIFICATIONS

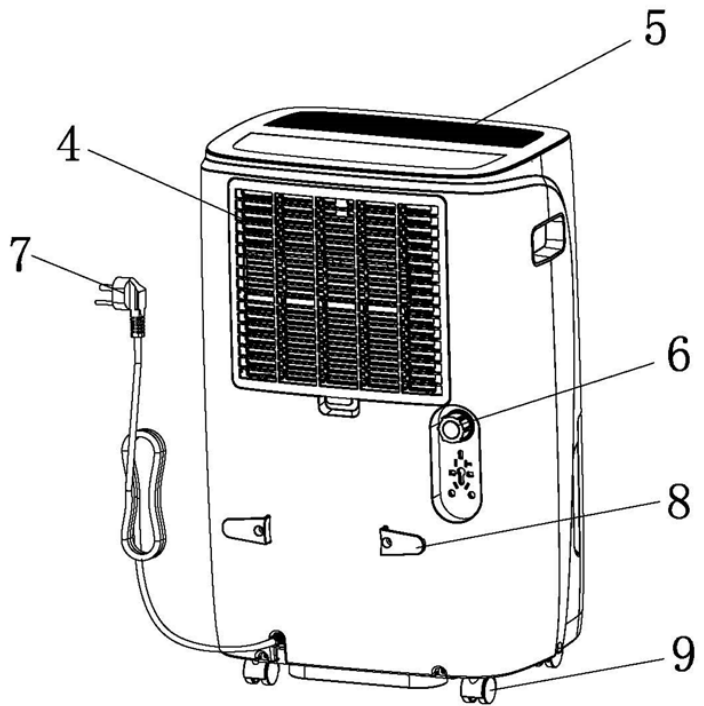
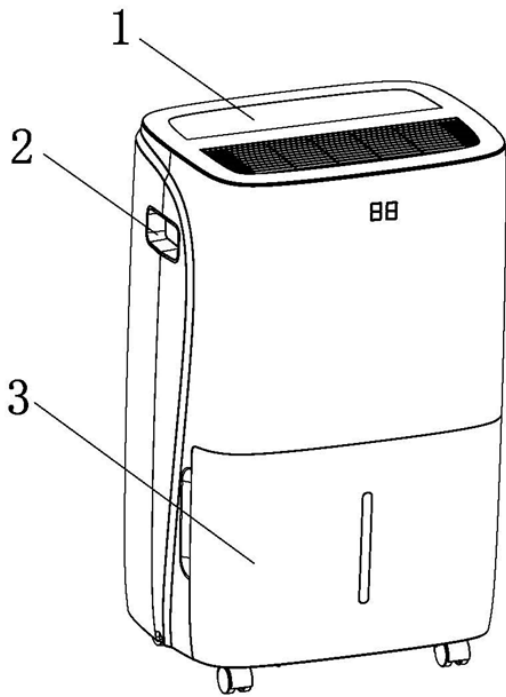
The dehumidification capacity is rated at a room temperature of **30°C with a relative humidity of 80%**.

If specifications are improved after this pointing, the product nameplate will reflect the new specifications.

The operational temperature is in the range of **7°C to 35°C** and max relative humidity of 80%. If the room temperature is outside of this range, the unit will not operate normally. GWP value of R290 refrigerant is 3.

PRODUCT DIAGRAM

Parts

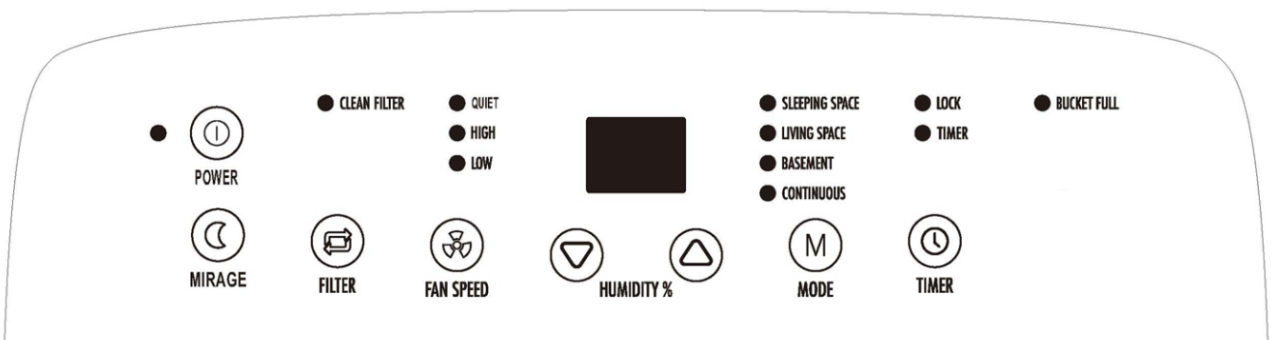


- 1. Top panel
- 2. Handle
- 3. Water tank
- 4. Filter box
- 5. Outlet
- 6. Drain
- 7. Supply cord
- 8. Hang line buckle
- 9. Caster



Continuous drainage fitting

OPERATING INSTRUCTIONS







The indicator features 3 functions:

1. when the unit is plugged in, it will indicate the room humidity level.
2. when you set the humidity, it will indicate the humidity that you have selected
3. when you program the time for the unit to turn on and off, it will show the hours.
- 4. When the environment humidity is lower than 20%, it will show 20**
- 5. When the environment humidity is higher than 90%, it will show 90**

OPERATING INSTRUCTIONS

1. The power display is all on, the static display is 3s and off, only the  key supply light is on; If it is the first time to power on, press the "power" button to start the system Default free running mode 50%, low wind; If the power failure memory power, the direct operation memory mode and wind speed; In the fixed working mode, the machine is switched off and then switched on. The fixed mode and wind speed before the system is run are adopted. In the free working mode (four LED lights in fixed mode are off), it will be turned off and then into standby. After starting up, the system will reset to the free mode 50% with low wind.


2. press  button as follows:

When the wind speed needs to be adjusted, press the wind speed button to adjust the Quiet, high and Low wind speed. When the corresponding indicator light is on, the current wind speed has been set.

3. Press "UP" and "DOWN" to enter the free dehumidification operation. The humidity is set to 35%-- 80%, with 5%RH added and decreased each time.

4. Press  to change the set value of humidity as follows:

Press "MODE" to select the fixed working MODE: LIVING SPACE(50%) BASEMENT(45%) CONTINUOUS(CONTINUOUS division Wet CO) (55%) switch the sequential cycle, and the corresponding mode indicator light is on.


5. press  button can be timer setting:


(1) in shutdown state, press the timing button to set the timing startup function. The timing light will be on and the display will initially display 0.5. Press "UP" and "DOWN" to adjust the time. The timing indicator is on when there is a timing function. In the timing process, press the timing key again, then cancel the timing function.

(2) in the startup state, press the timing button to set the timing shutdown function. The timing is 0.5 for the display of the bright display console. At this point, press the "UP" and "DOWN" keys to adjust the timing time.

(3) the range of timing time is set as 0.5-24h.

(4) after long pressing the timing button for 3 seconds, the lock key function is turned on, the lock light is on, and the other keys are invalid after the lock key; Only after pressing the timing button again for 3 seconds to cancel the lock button function, will the other keys be effective after the lock lamp is off.;

6. Press the  key to open the display of the front panel display, and press this key again to close the display of the front panel display. The display of the front panel is consistent with the display of the top display.

7. Reset the  key:

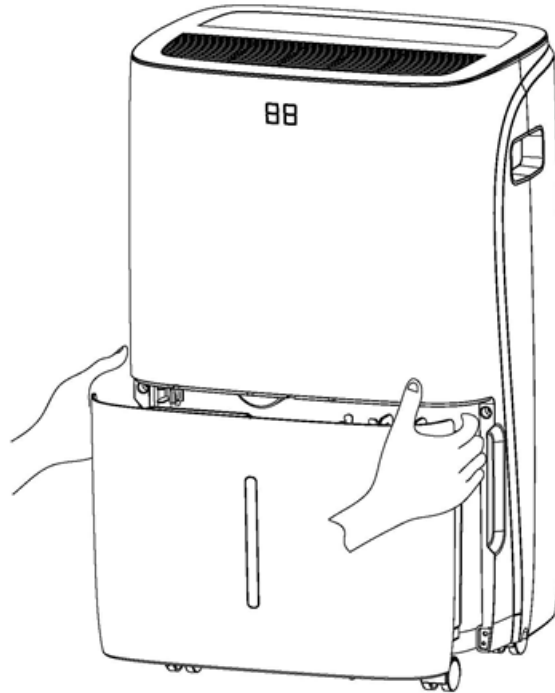
After the dehumidifier starts up and runs for 250h, the indicator light for cleaning the filter screen will be on, reminding the filter screen to be cleaned, pressing the button, timing again, and the indicator light for cleaning the filter screen will be off.

DRAINING THE COLLECTED WATER

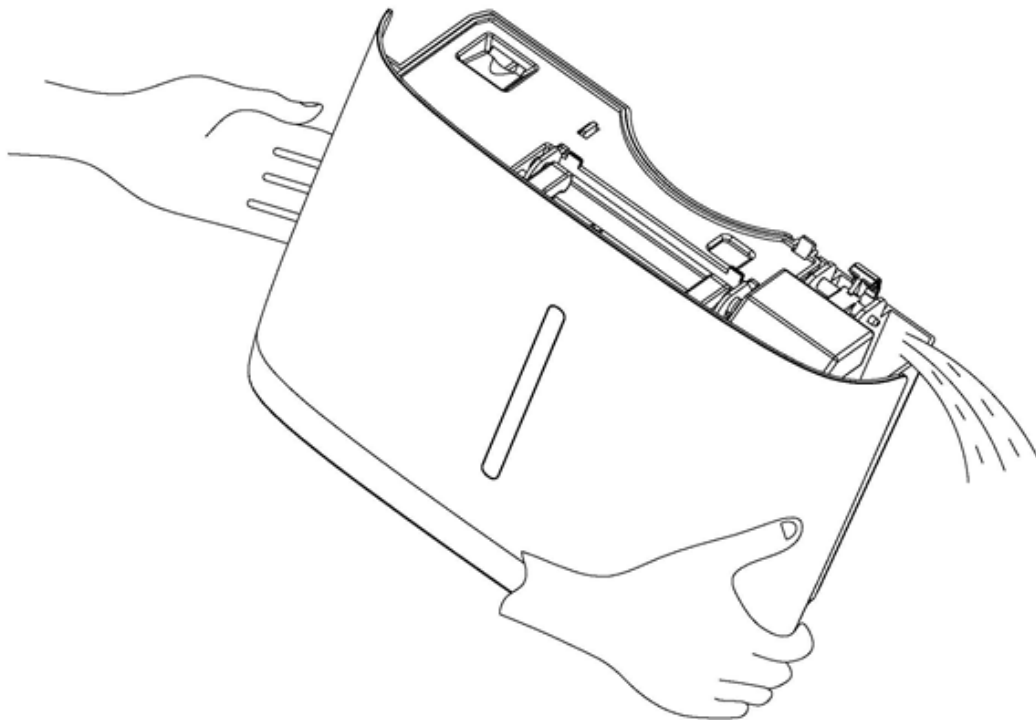
When the drainage tank is full, the tank full indicator light will turn on, the operation will stop automatically and the buzzer will beep 3 times to alert the user, that the water need to be emptied from the drainage tank.

Emptying the Drainage Tank

1. Lightly press on the sides of the tank with both hands and pull the tank out gently..

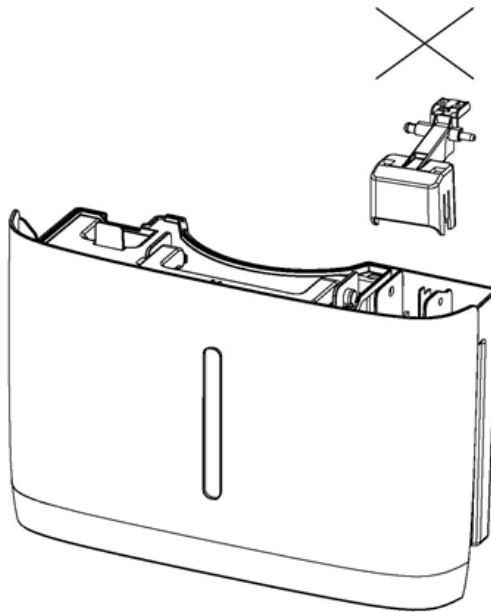


2. Discard the collected water



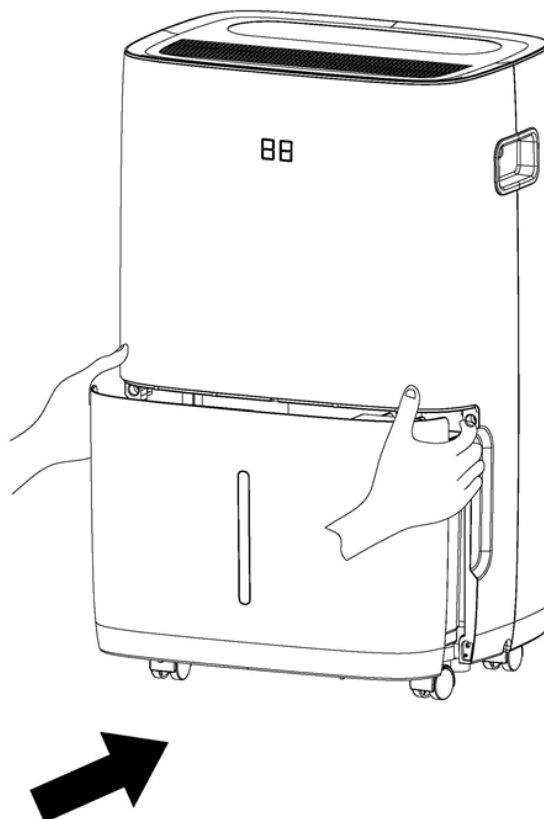
NOTE

1. Do not remove the float from the water tank. The water full sensor will no longer be able to detect the water level correctly without the float and water may leak from the water tank.



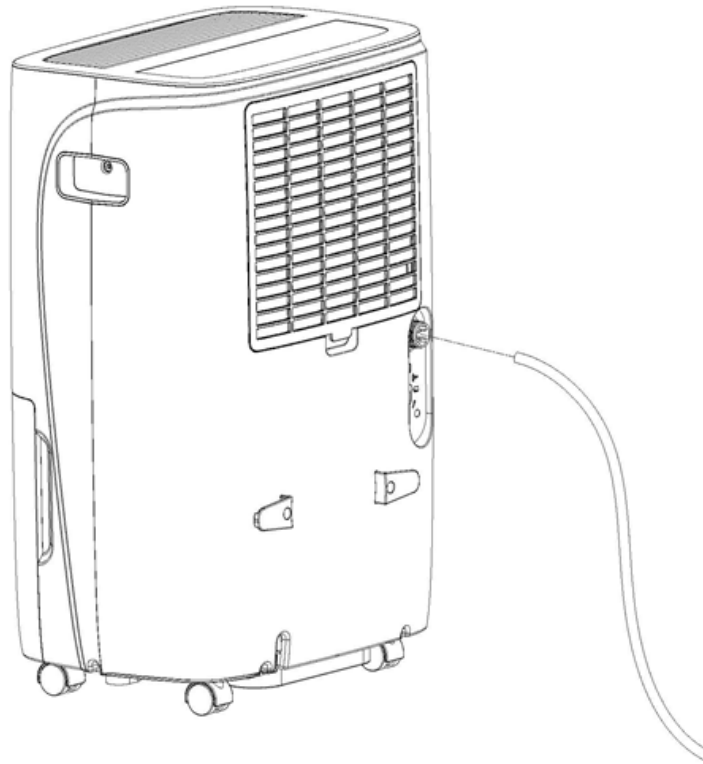
2. If the drainage tank is dirty, wash it with cold or lukewarm water. Do not use detergent, scouring pads, chemically treated dust cloths, gasoline, benzene, thinner, or other solvents, as these can scratch and damage the tank and cause water leakage

3. When replacing the drainage tank, press the tank firmly into place with both hands. If the tank is not positioned properly, the "TANK FULL" sensor will be activated, and the dehumidifier will not operate.



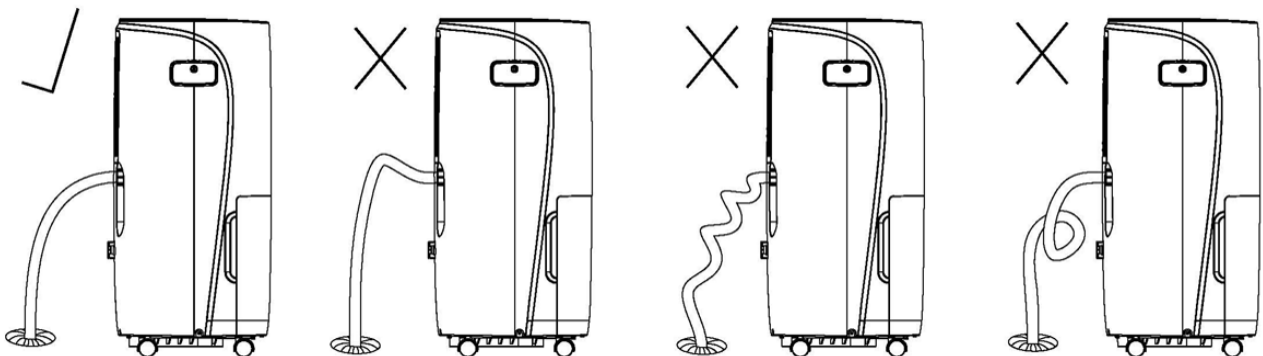
4. CONTINUOUS DRAINAGE

- (1) Unscrew the outlet cover on the back of the machine.
- (2) Insert the drain hose (included) and make sure the hose is secure so there are no leaks. Then the dehumidifier will continuously drain water.



5. Continuous drainage (with normal drainage pipe)

The drainage pipe has to be assembled smoothly like Fig. 1. The pipe cannot be distorted nor has substantial turning. The pipe cannot be higher than the water outlet. Keep the pipe not blocked. Do not use extension tubes or replace it with other different hoses.



MAINTENANCE

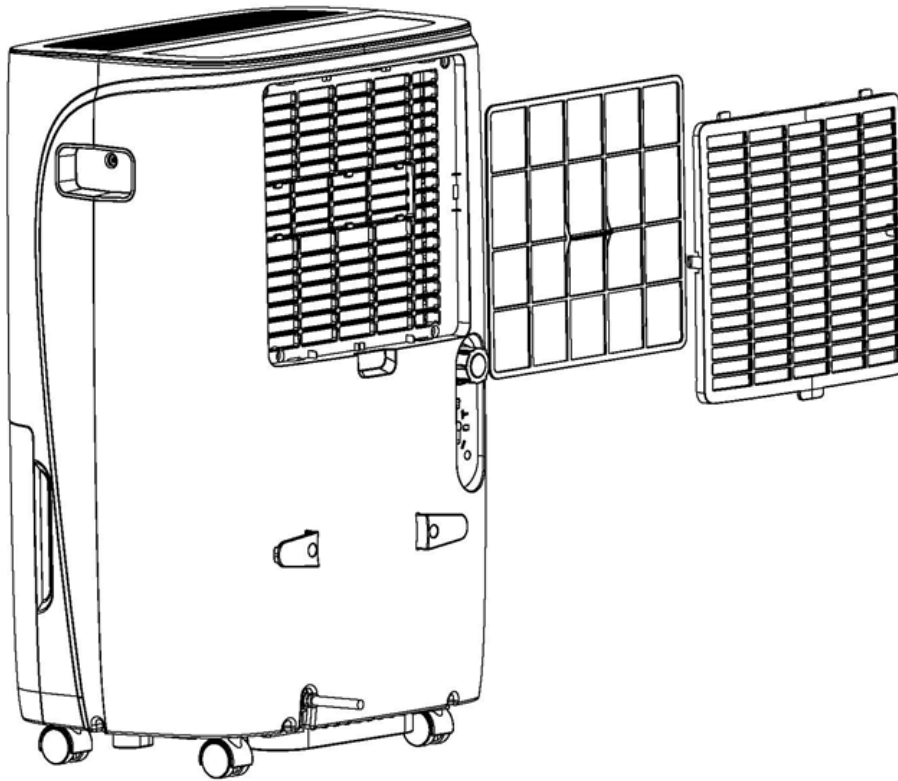
Cleaning the Dehumidifier

To clean the Body

Wipe it with a soft damp cloth.

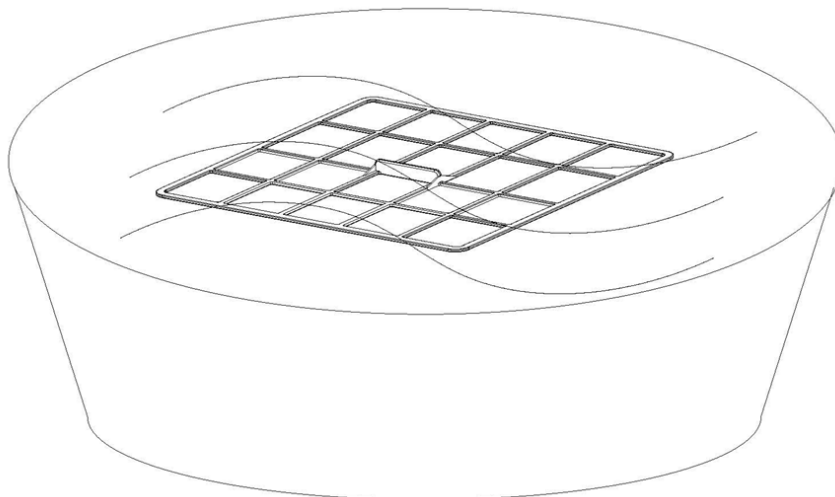
To Clean the Air Filter

1. Open the inlet grill firstly and remove the air filter

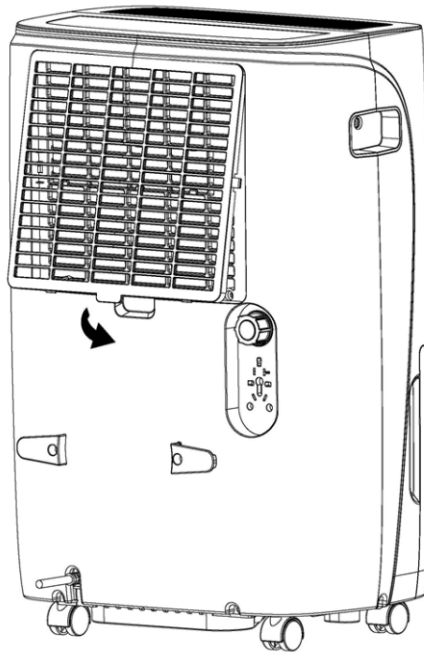


2. Clean the filter

Use a vacuum cleaner to gently absorb the dust on the surface of the filter. If the filter is very dirty, wipe it with warm water and a soft cleaner and dry it completely.



3. Attach the air filter
Insert the filter into the grill smoothly



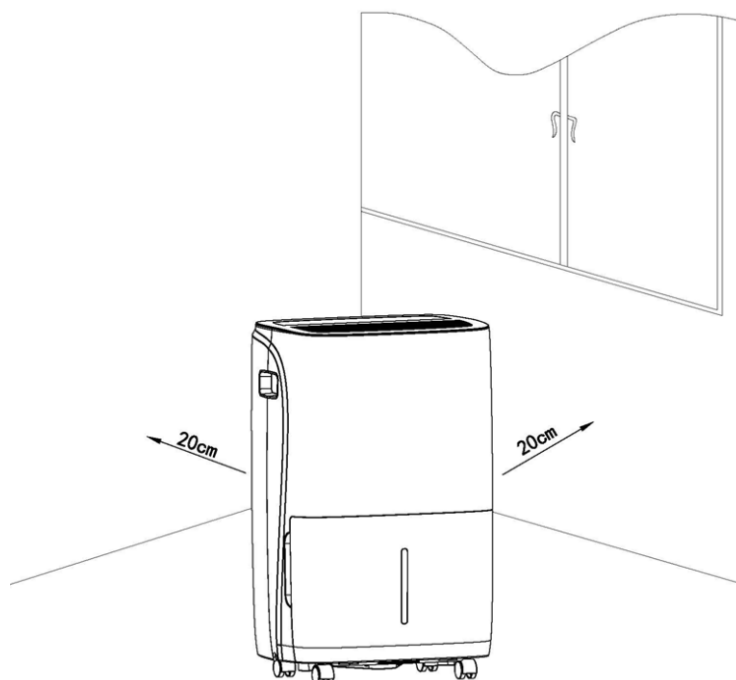
Storing the Dehumidifier

When the unit is not being used for a long period of time and you want to store it note the following steps:

1. Empty any water left in the drainage tank.
2. Fold up the power supply cord and put it in the water tank.
3. Clean the air filter
4. Discard in a cool and dry place .

Clearance

Maintain the minimum clearance around the dehumidifier when the unit is operating as shown in the left drawing.



TROUBLESHOOTING

If a condition listed below occurs, please check the following items before calling customer service.

Problem	Possible Cause	Solution
The unit doesn't operate	Has the power cord been disconnected?	Plug the power cord into the outlet.
	Is the tank full indication lamp blinking? (The tank is full or in a wrong position.)	Empty the water in the drainage tank and then reposition the tank.
	Is the temperature of the room above 35 °C or below 7°C?	The protection device is activated and the unit cannot be started.
The dehumidifying function doesn't work	Is the air filter clogged?	Clean the air filter as instructed under "Cleaning the dehumidifier".
	Is the intake duct or discharge duct obstructed?	Remove the obstruction from the discharge duct or intake duct.
No air is discharged	Is the air filter clogged?	Clean the air filter as instructed under "Cleaning the dehumidifier".
Operation is noisy	Is the unit tilted or unsteady?	Move the unit to a stable, sturdy location.
	Is the air filter clogged?	Clean the air filter as instructed under "Cleaning the dehumidifier".

According to "E1"	Abnormal exhaust pipe temperature sensor	Check exhaust pipe temperature sensor and related circuit
According to "E2"	Coil temperature sensor abnormal	Check coil temperature sensor and related circuit
According to "EH"	Humidity sensor anomaly	Check humidity sensor and related circuit.

NOTE FOR MAINTENANCE WORK

1. Checks to the area

That the risk of ignition is minimized. For repair to the refrigerating system, the following precautions shall be complied with prior to conducting work on the system.

Work procedure

Work shall be undertaken under a controlled procedure so as to minimize the risk of a flammable gas or vapour being present while the work is being performed.

2. General work area

All maintenance staff and others working in the local area shall be instructed on the nature of work being carried out. Work in confined spaces shall be avoided. The area around the workspace shall be sectioned off. Ensure that the conditions within the area have been made safe by control of flammable material.

3. Checking for presence of refrigerant

The area shall be checked with an appropriate refrigerant detector prior to and during work, to ensure the technician is aware of potentially flammable atmospheres. Ensure that the leak detection equipment being used is suitable for use with flammable refrigerant, i.e. nonsparking, adequately sealed or intrinsically safe.

4. Presence of fire extinguisher

If any hot work is to be conducted on the refrigeration equipment or any associated parts, appropriate fire extinguishing equipment shall be available to hand. Have a dry powder or CO² fire extinguisher adjacent to the charging area.

5.No ignition sources

No person carrying out work in relation to a refrigerant system which involves exposing any pipe work that contains or has contained flammable refrigerant shall use any sources of ignition in such a manner that it may lead to the risk of fire or explosion. All possible ignition sources, including cigarette smoking, should be kept sufficiently far away from the site of installation, repairing, removing and disposal, during which flammable refrigerant can possibly be released to the surrounding space. Prior to work taking place, the area around the equipment is to be surveyed to make sure that there are no flammable hazards or ignition risks.” No Smoking” signs shall be displayed.

6.Ventilated area

Ensure that the area is in the open or that it is adequately ventilated before breaking into the system or conducting any hot work. A degree of ventilation shall continue during the period that the work is carried out. The ventilation should safely disperse any released refrigerant and preferably expel it externally into the atmosphere.

7.Checks to the refrigeration equipment

Where electrical components are being changed, they shall be fit for the purpose and to the correct specification. At all times the manufacturer’ s maintenance and service guidelines shall be followed. If in doubt consult the manufacturer’ s technical department for assistance.

The following checks shall be applied to installations using flammable refrigerants:

- the charge size in accordance with the room size within which the refrigerant containing parts are installed;
- the ventilation machinery and outlets are operating adequately and are not obstructed

8.Checks to electrical devices

Repair and maintenance to electrical components shall include initial safety checks and components inspection procedures. If a fault exists that could compromise safety, then no electrical supply shall be connected to the circuit until it is satisfactorily dealt with. If the fault cannot be corrected immediately but it is necessary to continue operation, an adequate temporary solution shall be used. This shall be reported to the owner of the equipment so all parties are advised.

Initial safety checks shall include:

- that capacitors are discharged: this shall be done in a safe manner to avoid possibility of sparking;
- that there no live electrical components and wiring are exposed while charging, recovering or purging the system;
- that there is continuity of earth bonding

9.Repairs to sealed components

During repairs to sealed components, all electrical supplies shall be disconnected from the equipment being worked upon prior to any removal of sealed covers, etc.

If it is absolutely necessary to have an electrical supply to equipment during servicing, then a permanently operating form of leak detection shall be located at the most critical point to warn of a potentially hazardous situation.

Particular attention shall be paid to the following to ensure that by working on electrical components, the casing is not altered in such a way that the level of protection is affected. This shall include damage to cables, excessive number of connections, terminals not made to original specification, damage to seals, incorrect fitting of glands, etc.

Ensure that apparatus is mounted securely.

Ensure that seals or sealing materials have not degraded such that they no longer serve the purpose of preventing the ingress of flammable atmospheres, Replacement parts shall be in accordance with the manufacturer's specifications. NOTE: The use of silicon sealant may inhibit the effectiveness of some types of leak detection equipment. Intrinsically safe components do not have to be isolated prior to working on them.

10.Repair to intrinsically safe components

Do not apply any permanent inductive or capacitance loads to the circuit without ensuring that this will not exceed the permissible voltage and current permitted for the equipment in use.

Intrinsically components are the only types that can be worked on while live in the presence of a flammable atmosphere. The test apparatus shall be at the correct rating.

Replace components only with parts specified by manufacturer. Other parts may result in the ignition of refrigerant in the atmosphere from a leak.

11.Cabling

Check that cabling will not be subject to wear, corrosion, excessive pressure, vibration, sharp edges or any other adverse environmental effects. The check shall also take into account the effects of aging or continual vibration from sources such as compressors or fans.

12.Leakage detection for flammable refrigerants

Under no circumstances shall potential sources of ignition be used in the searching for or detection of refrigerant leaks. A halide torch (or any other detector using a naked flame) shall not be used.

13.Leak detection methods

The following leak detection methods are acceptable for systems containing flammable refrigerant.

Electronic leak detectors shall be used to detect flammable refrigerants, but the sensitivity may not be adequate, or may need recalibration (Detection equipment shall be calibrated in a refrigerant-free area.) Ensure that detector is not a potential source of ignition and is suitable for the refrigerant used.

Leak detection fluids are suitable for use with most refrigerants but the use of detergents containing chlorine shall be avoided as the chlorine may react with the refrigerant and corrode the copper pipe-work.

If a leak is suspected, all naked flames shall be removed/extinguished.

If a leak of refrigerant is found which requires brazing, all of the refrigerant shall be recovered from the system. Oxygen free nitrogen (OFN) shall then be purged through the system both before and during the brazing process.

14.Removal and evacuation

When breaking into the refrigerant circuit to make repairs-or for any other purpose-conventional procedures shall be used. However, it is important that best practice is followed since Flammability is a consideration. The following procedure shall be adhered to:

Remove refrigerant;

Purge the circuit with inert gas;

Evacuate;

Purge again with inert gas;

Open the circuit by cutting or brazing.

The refrigerant charge shall be recovered into the correct recovery cylinders. The system shall be "flushed" with OFN to render the unit safe. This process may need to be repeated several times. Compressed air or oxygen shall not be used for this task.

Flushing shall be achieved by breaking the vacuum in the system with OFN and continuing to fill until the working pressure is achieved, then venting to atmosphere, and finally pulling down to a vacuum. This process shall be repeated until no refrigerant is within the system. When the final OFN charge is used, the system shall be vented down to atmospheric pressure to enable work to take place. This operation is absolutely vital if brazing operations on the pipe-work are to take place. Ensure that the outlet for the vacuum pump is not close to any ignition sources and there is ventilation available.

15.Refrigerant Charging procedures

In addition to conventional charging procedures, the following requirements shall be followed.

-Ensure that contamination of different refrigerants does not occur when using charging equipment. Hoses or lines shall be as short as possible to minimise the amount of refrigerant contained in them.

-Cylinders shall be kept upright.

-Ensure that the refrigeration system is earthed prior to charging the system with refrigerant.

-Label the system when charging is complete (if not already).

-Extreme care shall be taken not to overfill the refrigeration system.

Prior to recharging the system it shall be pressure tested with OFN. The system shall be leak tested on completion of charging but prior commissioning. A follow up leak test shall be carried out prior to leaving the site.

16.Decommissioning

Before carrying out this procedure, it is essential that technician is completely familiar with the equipment and all its detail. It is recommended good practice that all refrigerants are recovered safely. Prior to the task being carried out, an oil and refrigerant sample shall be taken in case analysis is required prior to reuse of reclaimed refrigerant. It is essential that electrical power is available before the task is commenced.

Become familiar with the equipment and its operation.

b)Isolate system electrically.

c)Before attempting the procedure ensure that: mechanical handling equipment is available, if repaired, for handling refrigerant cylinders; all personal protective equipment is available and being used correctly; the recovery process is supervised at all times by a competent person; recovery equipment and cylinders conform to the appropriate standards.

d)Pump down refrigerant system, if possible.

e) if a vacuum is not possible, make a manifold so that refrigerant can be removed from various parts of the system.

f) Make sure that cylinder is situated on the scales before recovery takes place.

g)Start the recovery machine and operate in accordance with manufacturer's instructions.

h)Do not overfill cylinders(No more than 80% volume liquid charge).

i)Do not exceed the maximum working pressure of the cylinder, even temporarily.

j)When the cylinders have been filled correctly and the process completed, make sure that the cylinders and the equipment are removed from site promptly and all isolation valves on the equipment are closed off.

k)Recovered refrigerant shall not be charged into another refrigeration system unless it has been cleaned and checked.

17.Labeling

Equipment shall be labeled stating that it has been decommissioned and emptied of refrigerant. The label shall be dated and signed. Ensure that there are labels on the equipment stating the equipment contains flammable refrigerant.

18.Recovery

When removing refrigerant from a system, either for servicing or decommissioning, it is recommended good practice that all refrigerants are removed safely.

When transferring refrigerant into cylinders, ensure that only appropriate refrigerant recovery cylinders are employed. Ensure that the correct number of cylinders for holding the total system charge are available. All cylinders to be used are designed for the recovered refrigerant and labeled for that refrigerant(i.e.special cylinders for the recovery of refrigerant). Cylinders shall be complete with pressure relief valve and associated shut-off valves in good working order. Empty recovery cylinders are evacuated and, if possible, cooled before recovery occurs.

The recovery equipment shall be in good working order with a set of instructions concerning the equipment that is at hand and shall be suitable for the recovery of flammable refrigerants.

In addition, a set of calibrated weighing scales shall be available and in good work order. Hoses shall be complete with leak-free disconnect couplings and in good condition.

Before using the recovery machine, check that it is in satisfactory working order, has been properly maintained and that any associated electrical components are sealed to prevent ignition in the event of a refrigerant release. Consult manufacturer if in doubt.

The recovered refrigerant shall be returned to the refrigerant supplier in the correct recovery cylinder, and the relevant Waste Transfer Note arranged. Do not mix refrigerants in recovery units and especially not in cylinders.

If compressors or compressor oils are to be removed, ensure that they have been evacuated to an acceptable level to make certain that flammable refrigerant does not remain within the lubricant. The evacuation process shall be carried out prior to returning the compressor to the suppliers. Only electric heating to the compressor body shall be employed to accelerate this process. When oil is drained from a system, it shall be carried out safely.

19.Transport of equipment containing flammable refrigerants

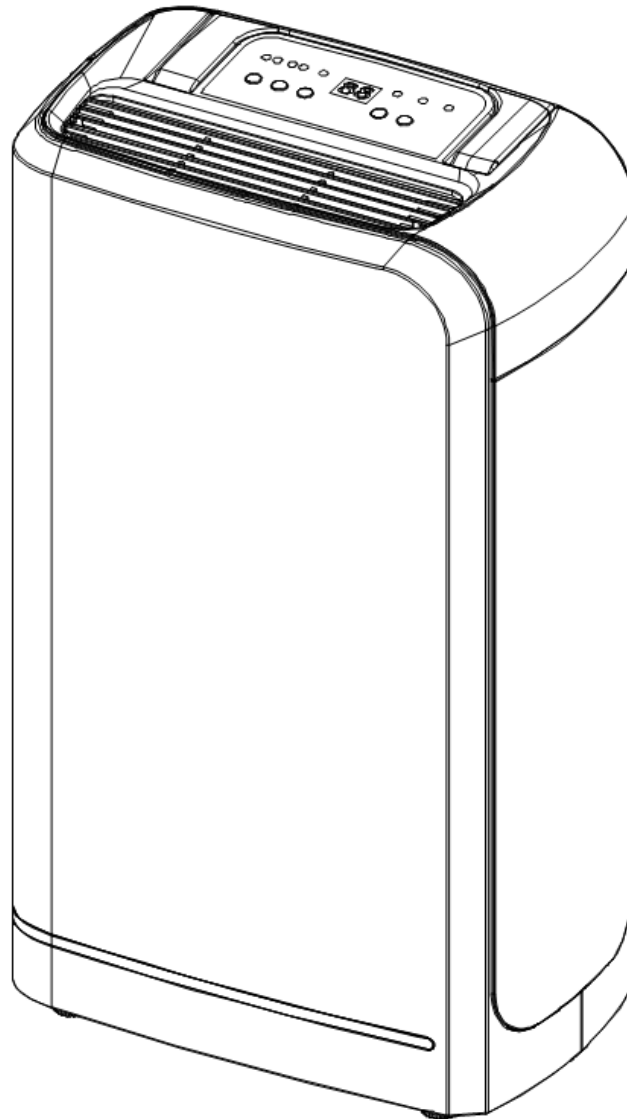
Determined by local regulations.

20.Discarded appliances supplies flammable refrigerants

See National Regulations.

21.Storage package (unsold) equipment

Storage package protection should be constructed such that mechanical damage to the equipment inside the package will not cause a leak of the refrigerant charge. The maximum number of pieces of equipment permitted to be stored together will be determined by local regulations.



EN_IMPORTANT, RETAIN FOR FUTURE REFERENCE: READ CAREFULLY.

FR_IMPORTANT: A LIRE ATTENTIVEMENT ET À CONSERVER POUR CONSULTATION ULTÉRIEURE.

ES_IMPORTANTE, LEA Y GUARDE PARA FUTURAS REFERENCIAS.

PT_IMPORTANTE, RETER PARA REFERÊNCIA FUTURA: LEIA ATENTAMENTE.

DE_WICHTIG! SORFGFÄLTIG LESEN UND FÜR SPÄTERES NACHSCHLAGEN AUFBEWAHREN.

IT_IMPORTANTE! CONSERVARE IL PRESENTE MANUALE PER FUTURO RIFERIMENTO E LEGGERLO ATTENTAMENTE.

Leggere attentamente le istruzioni e familiarizzare con tutti gli aspetti operativi di questo deumidificatore.

Questa unità rimuove l'umidità indesiderata dall'aria per creare un ambiente più confortevole in casa o in ufficio. Può essere comodamente spostato da una stanza all'altra della casa.

CARATTERISTICHE

Potente capacità di deumidificazione

Sfruttando la tecnologia della refrigerazione, il deumidificatore rimuove con forza l'umidità dall'aria per diminuire il livello di umidità della stanza e mantenere l'aria interna asciutta e confortevole.

Design leggero e portatile

Il deumidificatore è costruito per essere compatto e leggero. Le rotelle sul fondo dell'unità ne facilitano lo spostamento da una stanza all'altra.

Funzionamento a bassa temperatura con sbrinamento automatico

Quando l'unità funziona a una temperatura ambiente compresa tra 5°C e 12°C, si arresta per sbrinare ogni 30 minuti.

Quando l'unità funziona a una temperatura ambiente compresa tra 12°C e 20°C, si arresta per sbrinare ogni 45 minuti.

Umidostato regolabile

Regola il livello di umidità desiderato tramite l'umidostato.

Timer On / Off

Programma l'accensione e lo spegnimento automatico dell'unità.

Funzionamento silenzioso

Il deumidificatore funziona con un basso livello di rumore.

Efficienza energetica

Il consumo energetico dell'unità è basso.

AVVERTENZE DI SICUREZZA

Quando si utilizza l'unità, osservare le seguenti precauzioni di sicurezza:

1. Scollegare il cavo di alimentazione prima di pulire o riporre l'apparecchio.
2. L'apparecchio può essere utilizzato in ambienti interni ma non in lavanderie.
3. Non posizionare l'apparecchio vicino a dispositivi che generano calore o a materiali infiammabili e pericolosi.
4. Non inserire mai dita o oggetti nei condotti di aspirazione o di scarico.
5. Non sedersi o stare in piedi sull'unità.
6. Gettare l'acqua raccolta nel serbatoio come richiesto.
7. Non mettere in funzione il deumidificatore in un ambiente chiuso, ad esempio all'interno di uno sgabuzzino, perché potrebbe provocare un incendio.
8. Non collocare l'unità vicino a oggetti commestibili, oggetti d'arte o materiali scientifici.
9. Installare le tubature di scarico in discesa per garantire lo scarico continuo dell'acqua di condensa.
10. Se il cavo di alimentazione è danneggiato, deve essere sostituito dalla casa produttrice o da una persona altrettanto qualificata per evitare rischi.
11. L'apparecchio deve essere posizionato in modo che la spina sia accessibile.
12. Mantenere una distanza di 20 cm tra l'apparecchio e la parete o altri oggetti per garantire la circolazione dell'aria.

13. L'apparecchio deve essere installato in conformità con le normative nazionali locali in materia di cavi.

14. L'apparecchio non può essere utilizzato nei trasporti pubblici.

15. Questo apparecchio può essere utilizzato da bambini di età pari o superiore a 8 anni e da persone con ridotte capacità fisiche, sensoriali o mentali o con mancanza di esperienza e conoscenza, a condizione che abbiano ricevuto supervisione o istruzioni sull'uso dell'apparecchio in modo sicuro e che comprendano i rischi connessi. I bambini non devono giocare con l'apparecchio. La pulizia e la manutenzione da parte dell'utente non devono essere effettuate da bambini senza supervisione.

16. I bambini devono essere sorvegliati per garantire che non giochino con l'apparecchio.

17. Gli apparecchi palesemente danneggiati non devono essere messi in funzione.



Caution, risk of fire



AVVERTENZA

Non utilizzare mezzi per accelerare il processo di sbrinamento o per la pulizia diversi da quelli raccomandati dal produttore.

L'apparecchio deve essere conservato in un locale privo di fonti di accensione continuamente in funzione (ad esempio: fiamme libere, un apparecchio a gas o un riscaldatore elettrico in funzione).

Non forare o bruciare.

Tenere presente che i refrigeranti possono non avere odore.

L'apparecchio deve essere installato, utilizzato e conservato in un locale con una superficie superiore a 4 m².

L'apparecchio deve essere conforme alle normative nazionali sul gas.

La manutenzione deve essere eseguita solo come raccomandato dal produttore.

L'apparecchio deve essere conservato in modo da evitare danni meccanici.

Chiunque sia coinvolto nel lavoro o nell'accesso a un circuito refrigerante deve essere in possesso di un certificato valido rilasciato da un'autorità di valutazione accreditata dal settore, che ne autorizzi la competenza a maneggiare refrigeranti in modo sicuro in conformità a una specifica di valutazione riconosciuta dal settore.

La manutenzione deve essere eseguita solo come raccomandato dal produttore dell'apparecchiatura. La manutenzione e la riparazione che richiedono l'assistenza di altro personale specializzato devono essere eseguite sotto la supervisione di una persona competente nell'uso di refrigeranti infiammabili.

L'apparecchio è riempito con gas infiammabile R290.

Per qualsiasi riparazione, rivolgersi al più vicino centro di assistenza autorizzato e seguire scrupolosamente le istruzioni del produttore.

B Smaltimento dell'apparecchio:

È vietato smaltire questo apparecchio nei rifiuti domestici. Per lo smaltimento esistono diverse possibilità

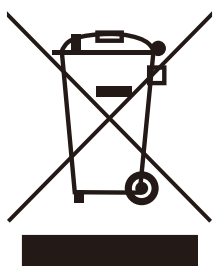
1 Non smaltire questo prodotto come rifiuto urbano indifferenziato. È necessaria la raccolta differenziata di tali rifiuti per un trattamento speciale.

2 Il comune ha istituito sistemi di raccolta in cui i rifiuti elettronici possono essere smaltiti almeno gratuitamente per l'utente.

3 Il produttore ritirerà il vecchio apparecchio per smaltirlo almeno gratuitamente per l'utente.

4 I vecchi prodotti contengono risorse preziose. Possono essere venduti ai commercianti di rottami metallici.

Lo smaltimento selvaggio dei rifiuti nelle foreste e nei paesaggi finisce per danneggiare la salute quando le sostanze pericolose si riversano nelle falde acquifere e finiscono nella catena alimentare. Significato della pattumiera a rotelle barrata. Non smaltire gli apparecchi elettrici come rifiuti urbani indifferenziati, ma utilizzare i sistemi di raccolta differenziata. Se gli apparecchi elettrici vengono smaltiti in discariche o discariche. Le sostanze pericolose possono disperdersi nelle falde acquifere ed entrare nella catena alimentare, danneggiando la salute e il benessere dei cittadini.



Questo marchio indica che questo prodotto non deve essere smaltito con altri rifiuti domestici in tutta l'UE. Per evitare possibili danni all'ambiente o alla salute umana dovuti a uno smaltimento incontrollato dei rifiuti, riciclarlo in modo responsabile per promuovere il riutilizzo sostenibile delle risorse materiali. Per restituire il dispositivo usato, utilizzare i sistemi di restituzione e raccolta o contattare il rivenditore presso il quale è stato acquistato il prodotto. Il prodotto potrà essere riciclato in modo sicuro per l'ambiente.

SPECIFICHE

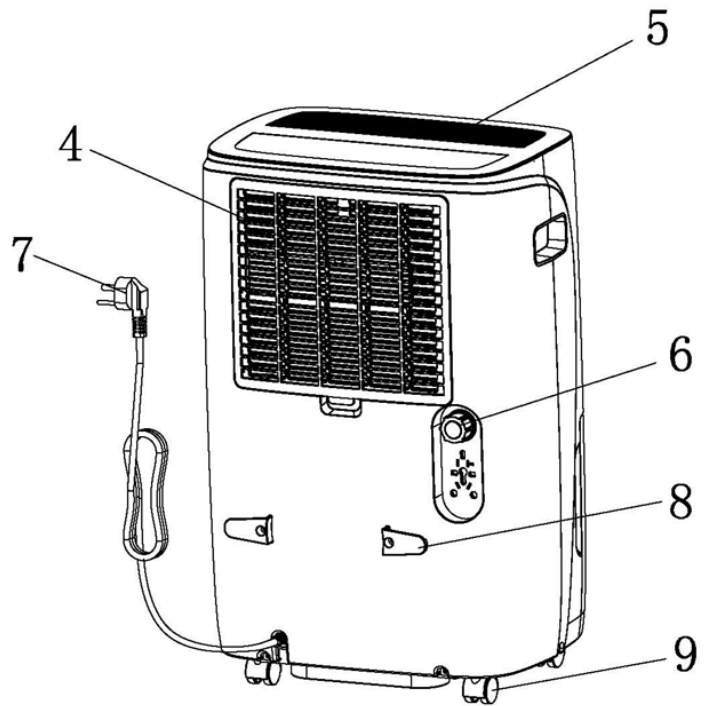
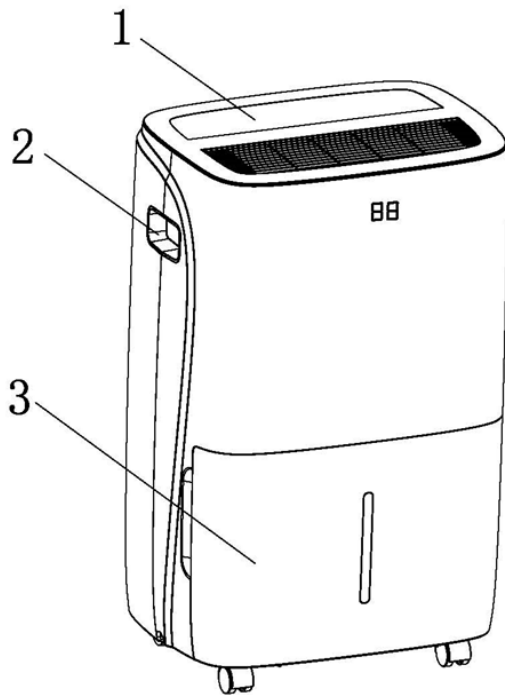
La capacità di deumidificazione è valutata a una temperatura ambiente di 30°C con un'umidità relativa dell'80%.

Se le specifiche vengono migliorate dopo questa indicazione, la targhetta del prodotto rifletterà le nuove specifiche.

La temperatura di esercizio è compresa tra 7°C e 35°C con un'umidità relativa massima dell'80%. Se la temperatura ambiente non rientra in questo intervallo, l'unità non funzionerà normalmente. Il valore GWP del refrigerante R290 è 3.

DIAGRAMMA DEL PRODOTTO

Parti di ricambio

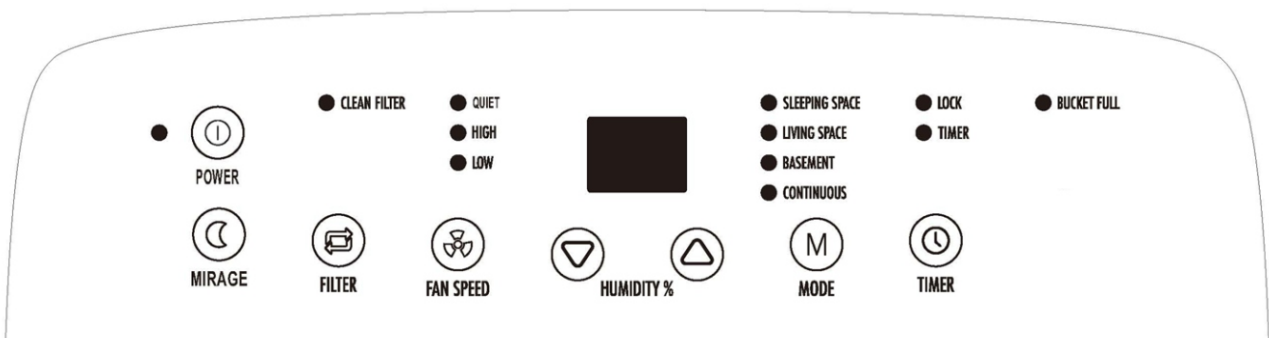


1. Pannello superiore
2. Maniglia
3. Serbatoio dell'acqua
4. Scatola del filtro
5. Uscita
6. Scarico
7. Cavo di alimentazione
8. Fibbia per il filo di sospensione
9. Rotella



Raccordo di drenaggio continuo

OPERATING INSTRUCTIONS




1. POTENZA
2. MIRAGGIO
3. FILTRO
4. VELOCITÀ DELLA VENTOLA
5. MODALITÀ
6. TIMER



L'indicatore ha 3 funzioni:

1. quando l'unità è collegata, indica il livello di umidità ambientale.
2. Quando si imposta l'umidità, indica l'umidità selezionata.
3. quando si programma l'orario di accensione e spegnimento dell'unità, indica le ore.
4. Quando l'umidità dell'ambiente è inferiore al 20%, viene visualizzato 20.
5. Quando l'umidità dell'ambiente è superiore al 90%, indica 90.

ISTRUZIONI PER L'USO

1. Il display di alimentazione è tutto acceso, il display statico è 3s e spento, solo la luce di alimentazione del tasto  è accesa; Se è la prima volta che si accende, premere il pulsante "power" per avviare il sistema Modalità di funzionamento libero predefinita 50%, vento basso; se la potenza della memoria di interruzione di corrente, la modalità di memoria di funzionamento diretto e la velocità del vento; nella modalità di funzionamento fisso, la macchina viene spenta e poi accesa. Vengono adottate la modalità fissa e la velocità del vento prima del funzionamento del sistema. Nella modalità di lavoro libero (le quattro luci LED della modalità fissa sono spente), la macchina viene spenta e poi messa in standby. Dopo l'avvio, il sistema passa alla modalità libera al 50% con vento debole.


2. Premere il pulsante  come segue

Quando è necessario regolare la velocità del vento, premere il pulsante della velocità del vento per regolare la velocità del vento calmo, alto e basso. Quando la spia corrispondente è accesa, la velocità del vento corrente è stata impostata.

3. Premere "SU" e "GIÙ" per accedere al funzionamento della deumidificazione libera. L'umidità è impostata tra il 35% e l'80%, con l'aggiunta e la diminuzione del 5% di RH ogni volta.

4. Premere  per modificare il valore di umidità impostato come segue:

Premere "MODE" per selezionare il MODO di funzionamento fisso: LIVING SPACE (50%) BASEMENT (45%) CONTINUOUS (divisione CONTINUOUS Wet CO) (55%) commutare il ciclo sequenziale, e la spia della modalità corrispondente è accesa.


5. premere il pulsante  può essere impostato il timer: (1) in stato di spegnimento, il pulsante può essere impostato su

(1) in stato di arresto, premere il pulsante di temporizzazione per impostare la funzione di avvio della temporizzazione. La spia di temporizzazione si accenderà e il display visualizzerà inizialmente 0,5. Premere "SU" e "GIÙ" per regolare il tempo. La spia di temporizzazione è accesa quando è presente una funzione di temporizzazione. Durante il processo di temporizzazione, premere nuovamente il tasto di temporizzazione e annullare la funzione di temporizzazione.

(2) in fase di avvio, premere il tasto di temporizzazione per impostare la funzione di temporizzazione. La temporizzazione è di 0,5 per la visualizzazione della console di visualizzazione luminosa. A questo punto, premere i tasti "SU" e "GIÙ" per regolare la temporizzazione.

(3) L'intervallo di temporizzazione è impostato su 0,5-24 ore.

(4) dopo aver premuto a lungo il pulsante di temporizzazione per 3 secondi, la funzione del tasto di blocco viene attivata, la spia di blocco si accende e gli altri tasti non sono validi dopo il tasto di blocco; solo dopo aver premuto nuovamente il pulsante di temporizzazione per 3 secondi per annullare la funzione del tasto di blocco, gli altri tasti saranno validi dopo lo spegnimento della spia di blocco;

6. Premere il tasto  per aprire la visualizzazione del display del pannello frontale e premere nuovamente questo tasto per chiudere la visualizzazione del display del pannello frontale. La visualizzazione del pannello frontale è coerente con quella del display superiore.

7. Azzerare il tasto  :

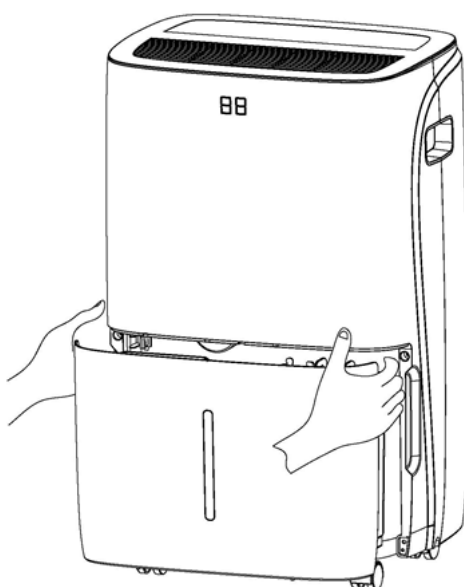
Dopo che il deumidificatore si è avviato e ha funzionato per 250 ore, la spia della pulizia del filtro si accende, ricordando che il filtro deve essere pulito; premendo il tasto, la temporizzazione si ripete e la spia della pulizia del filtro si spegne.

DRENAGGIO DELL'ACQUA RACCOLTA

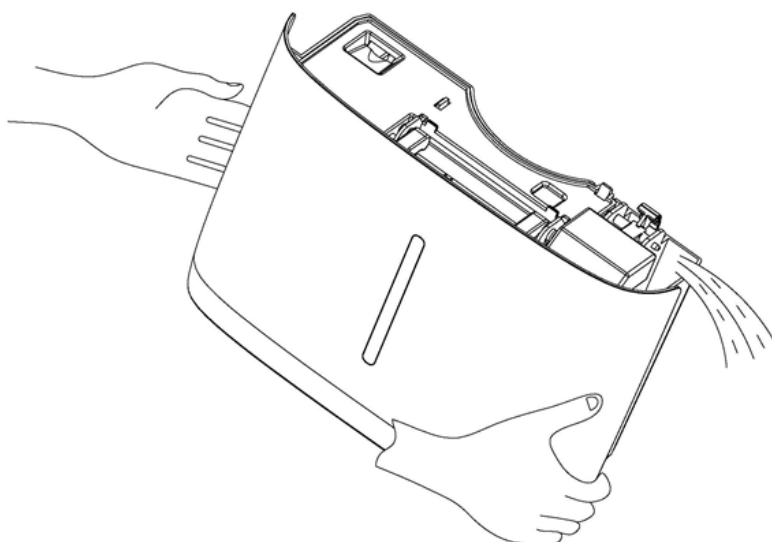
Quando il serbatoio di drenaggio è pieno, la spia del serbatoio pieno si accende, il funzionamento si arresta automaticamente e il cicalino emette 3 segnali acustici per avvisare l'utente che è necessario svuotare l'acqua dal serbatoio di drenaggio.

Svuotamento del serbatoio di drenaggio

1. Premere leggermente sui lati del serbatoio con entrambe le mani ed estrarre delicatamente il serbatoio.

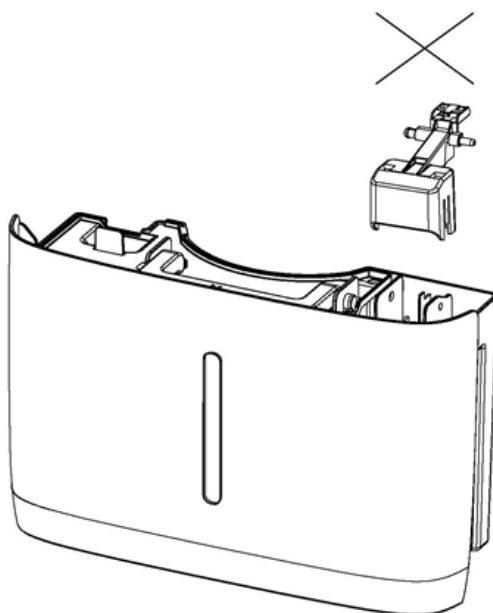


2. Scartare l'acqua raccolta



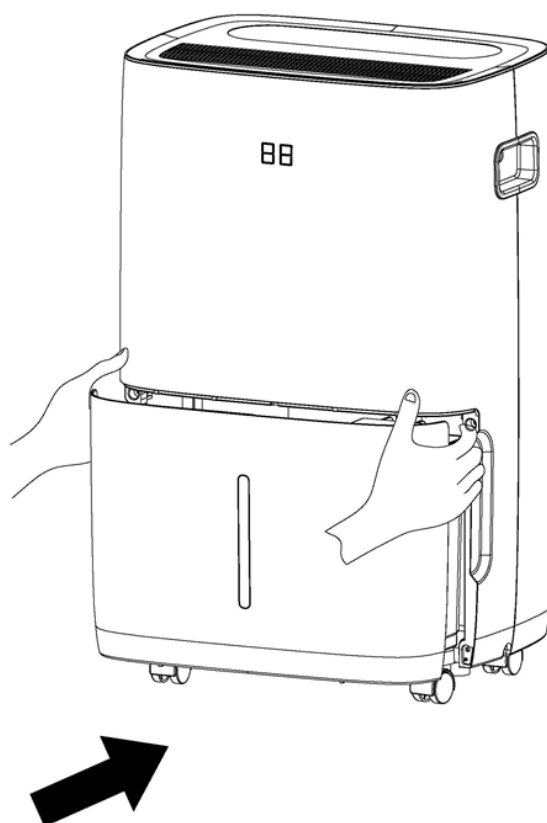
NOTA

1. Non rimuovere il galleggiante dal serbatoio dell'acqua. Senza il galleggiante, il sensore di riempimento dell'acqua non sarà più in grado di rilevare correttamente il livello dell'acqua e l'acqua potrebbe fuoriuscire dal serbatoio.



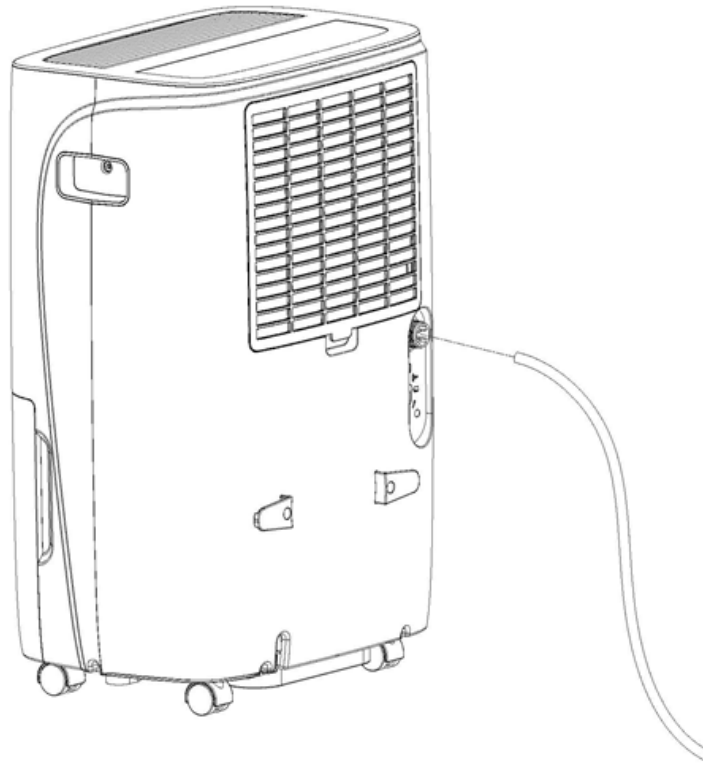
2. Se il serbatoio di drenaggio è sporco, lavarlo con acqua fredda o tiepida. Non utilizzare detergenti, pagliette, panni per la polvere trattati chimicamente, benzina, benzene, diluente o altri solventi, poiché possono graffiare e danneggiare il serbatoio e causare perdite d'acqua.

3. Quando si sostituisce il serbatoio di drenaggio, premere saldamente il serbatoio in posizione con entrambe le mani. Se il serbatoio non è posizionato correttamente, si attiverà il sensore "TANK FULL" (serbatoio pieno) e il deumidificatore non funzionerà.



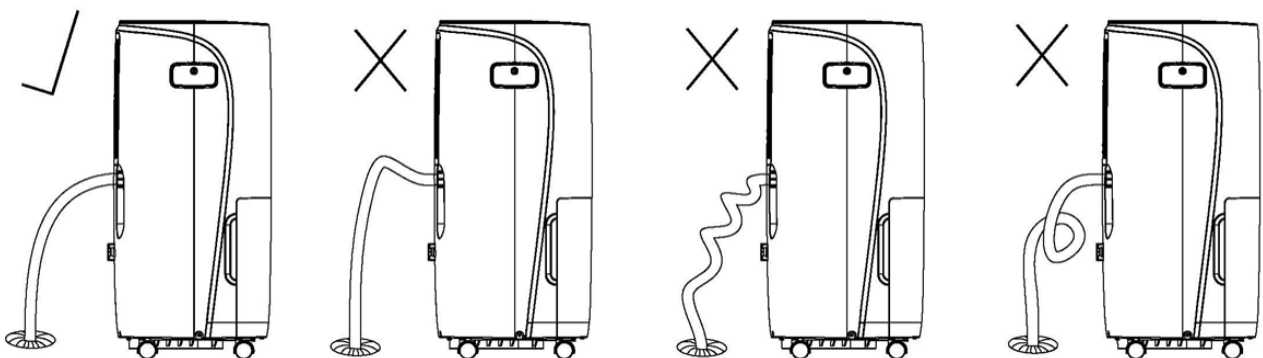
4. DRENAGGIO CONTINUO

- (1) Svitare il coperchio di scarico sul retro della macchina.
- (2) Inserire il tubo di drenaggio (in dotazione) e assicurarsi che sia ben fissato per evitare perdite. A questo punto il deumidificatore scaricherà continuamente l'acqua.



5. Drenaggio continuo (con tubo di drenaggio normale)

Il tubo di drenaggio deve essere assemblato senza intoppi come nella Fig. 1. Il tubo non deve essere deformato e non deve avere una rotazione sostanziale. Il tubo non può essere più alto dell'uscita dell'acqua. Il tubo non deve essere ostruito. Non utilizzare tubi di prolunga o sostituirli con altri tubi diversi.



MANUTENZIONE

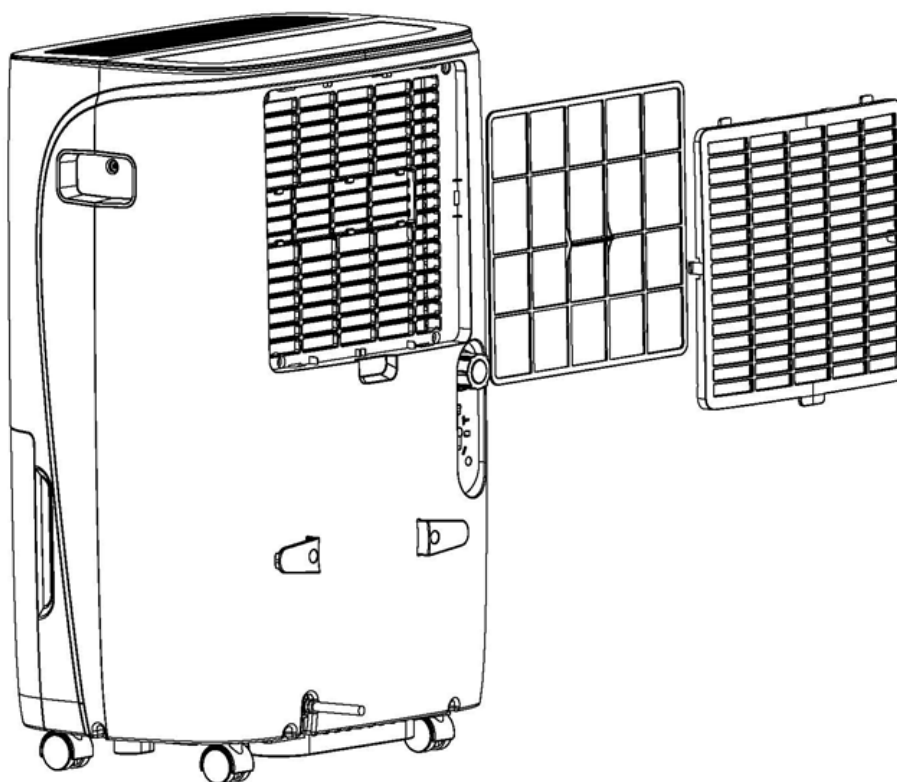
Pulizia del deumidificatore

Per pulire il corpo

Pulirlo con un panno morbido e umido.

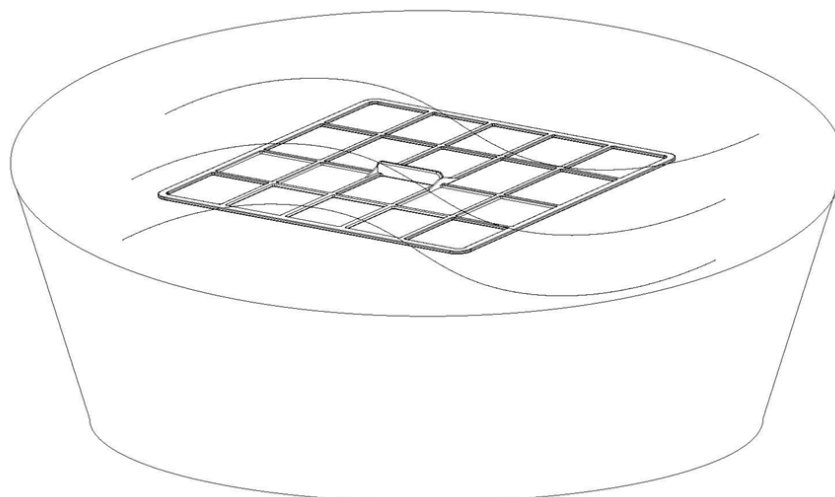
Per pulire il filtro dell'aria

1. Aprire la griglia di ingresso e rimuovere il filtro dell'aria.

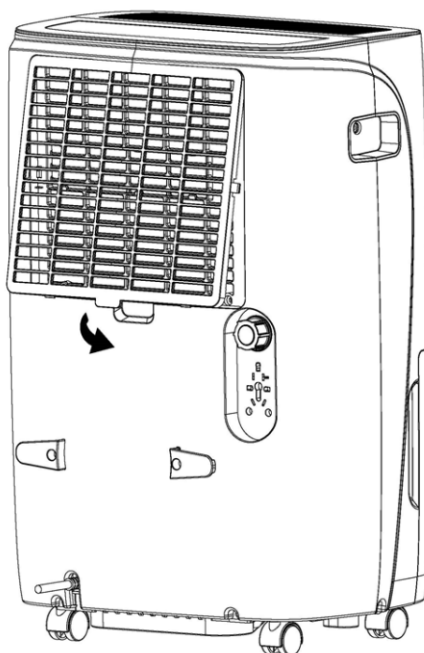


2. Pulire il filtro

Utilizzare un aspirapolvere per assorbire delicatamente la polvere sulla superficie del filtro. Se il filtro è molto sporco, pulirlo con acqua calda e un detergente morbido e asciugarlo completamente.



3. Fissare il filtro dell'aria
Inserire il filtro nella griglia senza problemi



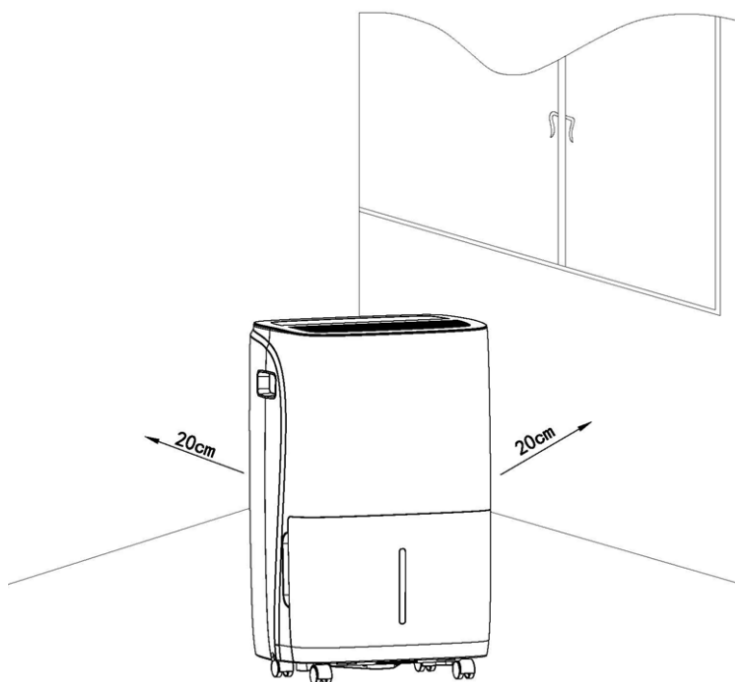
Conservazione del deumidificatore

Quando l'unità non viene utilizzata per un lungo periodo di tempo e si desidera conservarla, procedere come segue:

1. Svuotare l'acqua rimasta nel serbatoio di drenaggio.
2. Ripiegare il cavo di alimentazione e riporlo nel serbatoio dell'acqua.
3. Pulire il filtro dell'aria
4. Gettare in un luogo fresco e asciutto.

Spazio libero

Mantenere la distanza minima intorno al deumidificatore quando l'unità è in funzione, come mostrato nel disegno a sinistra.



RISOLUZIONE DEI PROBLEMI

Se si verifica una delle condizioni elencate di seguito, controllare i seguenti elementi prima di chiamare il servizio clienti.

Problema	Possibile causa	Soluzione
L'unità non funziona	Il cavo di alimentazione è stato scollegato?	Collegare il cavo di alimentazione alla presa di corrente.
	La spia del serbatoio pieno lampeggia? (Il serbatoio è pieno o in posizione errata).	Svuotare l'acqua nel serbatoio di drenaggio e riposizionare il serbatoio.
	La temperatura della stanza è superiore a 35°C o inferiore a 7°C?	Il dispositivo di protezione è attivato e l'unità non può essere avviata.
La funzione di deumidificazione non funziona	Il filtro dell'aria è intasato?	Pulire il filtro dell'aria come indicato in "Pulizia del deumidificatore".
	Il condotto di aspirazione o di scarico è ostruito?	Rimuovere l'ostruzione dal condotto di scarico o di aspirazione.
Non viene scaricata aria	Il filtro dell'aria è intasato?	Pulire il filtro dell'aria come indicato in "Pulizia del deumidificatore".
Il funzionamento è rumoroso	L'unità è inclinata o instabile?	Spostate l'unità in una posizione stabile e robusta.
	Il filtro dell'aria è intasato?	Pulire il filtro dell'aria come indicato in "Pulizia del deumidificatore".

Secondo "E1"	Sensore di temperatura del tubo di scarico anomalo	Controllare il sensore di temperatura del tubo di scarico e il relativo circuito
Secondo "E2"	Sensore temperatura bobina anormale	Controllare il sensore di temperatura della bobina e il relativo circuito
Secondo "EH"	Anomalia del sensore di umidità	Controllare il sensore di umidità e il relativo circuito.

NOTA PER GLI INTERVENTI DI MANUTENZIONE

1. Controlli dell'area

Per garantire che il rischio di accensione sia ridotto al minimo. Per la riparazione dell'impianto di refrigerazione, prima di eseguire i lavori sull'impianto devono essere rispettate le seguenti precauzioni.

Procedura di lavoro

I lavori devono essere eseguiti secondo una procedura controllata in modo da ridurre al minimo il rischio di presenza di gas o vapori infiammabili durante l'esecuzione dei lavori.

2. Area di lavoro generale

Tutto il personale di manutenzione e le altre persone che lavorano nell'area locale devono essere istruiti sulla natura del lavoro da svolgere. Devono essere evitati i lavori in spazi confinati. L'area intorno al luogo di lavoro deve essere delimitata. Assicurarsi che le condizioni all'interno dell'area siano rese sicure dal controllo del materiale infiammabile.

3. Controllo della presenza di refrigerante

L'area deve essere controllata con un rilevatore di refrigerante appropriato prima e durante il lavoro, per garantire che il tecnico sia consapevole delle atmosfere potenzialmente infiammabili. Assicurarsi che l'apparecchiatura di rilevamento delle perdite utilizzata sia idonea all'uso con refrigerante infiammabile, ossia non scintillante, adeguatamente sigillata o intrinsecamente sicura.

4. Presenza di un estintore

Se si devono eseguire lavori a caldo sull'apparecchiatura di refrigerazione o sulle parti associate, si deve avere a disposizione un'attrezzatura antincendio adeguata. Tenere un estintore a polvere secca o a CO2 vicino all'area di carica.

5. Nessuna fonte di accensione

Chiunque svolga lavori relativi a un sistema di refrigerazione che comportino l'esposizione di tubazioni che contengono o hanno contenuto refrigerante infiammabile non deve utilizzare fonti di accensione in modo tale da comportare il rischio di incendio o esplosione. Tutte le possibili fonti di accensione, compreso il fumo di sigaretta, devono essere tenute sufficientemente lontane dal luogo di installazione, riparazione, rimozione e smaltimento, durante il quale il refrigerante infiammabile può essere rilasciato nello spazio circostante. Prima di iniziare i lavori, l'area intorno all'apparecchiatura deve essere ispezionata per verificare che non vi siano pericoli di infiammabilità o rischi di ignizione. Devono essere affissi i cartelli "Vietato fumare".

6. Area ventilata

Assicurarsi che l'area sia all'aperto o che sia adeguatamente ventilata prima di accedere al sistema o di eseguire un wok caldo. Un certo grado di ventilazione deve continuare durante il periodo di esecuzione dei lavori. La ventilazione deve disperdere in modo sicuro il refrigerante rilasciato e preferibilmente espellerlo all'esterno nell'atmosfera.

7. Controlli dell'apparecchiatura di refrigerazione

In caso di sostituzione di componenti elettrici, questi devono essere idonei allo scopo e conformi alle specifiche. È necessario seguire sempre le linee guida del produttore per la manutenzione e l'assistenza. In caso di dubbio, consultare l'ufficio tecnico del produttore per assistenza.

Le seguenti verifiche devono essere applicate agli impianti che utilizzano refrigeranti infiammabili:

- il dimensionamento della carica in base alle dimensioni del locale in cui sono installate le parti contenenti refrigerante;
- le macchine e le uscite di ventilazione funzionano adeguatamente e non sono ostruite.

8. Controlli sui dispositivi elettrici

La riparazione e la manutenzione dei componenti elettrici devono includere controlli di sicurezza iniziali e procedure di ispezione dei componenti. Se esiste un guasto che potrebbe compromettere la sicurezza, non deve essere collegata alcuna alimentazione elettrica al circuito finché non viene risolto in modo soddisfacente. Se il guasto non può essere corretto immediatamente, ma è necessario continuare il funzionamento, si deve utilizzare una soluzione temporanea adeguata. Questo deve essere comunicato al proprietario dell'apparecchiatura in modo che tutte le parti siano informate.

I controlli di sicurezza iniziali devono comprendere:

- che i condensatori siano scaricati: questa operazione deve essere eseguita in modo sicuro per evitare la possibilità di scintille;
- che non vi siano componenti e cablaggi elettrici sotto tensione durante la carica, il recupero o lo spurgo del sistema;
- che vi sia continuità del collegamento a terra

9. Riparazioni di componenti sigillati

Durante le riparazioni dei componenti sigillati, tutte le alimentazioni elettriche devono essere scollegate dall'apparecchiatura su cui si lavora prima di rimuovere le coperture sigillate, ecc.

Se è assolutamente necessario mantenere l'alimentazione elettrica dell'apparecchiatura durante la manutenzione, un sistema di rilevamento delle perdite in funzione permanente deve essere collocato nel punto più critico per segnalare una situazione potenzialmente pericolosa.

Si dovrà prestare particolare attenzione a quanto segue per garantire che, lavorando sui componenti elettrici, l'involucro non venga alterato in modo tale da compromettere il livello di protezione. Ciò include danni ai cavi, un numero eccessivo di connessioni,

terminali non realizzati secondo le specifiche originali, danni alle guarnizioni, montaggio errato dei pressacavi, ecc.

Assicurarsi che l'apparecchio sia montato in modo sicuro.

Assicurarsi che le guarnizioni o i materiali di tenuta non si siano degradati in modo tale da non servire più a prevenire l'ingresso di atmosfere infiammabili, Le parti di ricambio devono essere conformi alle specifiche del produttore.

NOTA: L'uso di sigillanti al silicone può inibire l'efficacia di alcuni tipi di apparecchiature di rilevamento delle perdite. I componenti a sicurezza intrinseca non devono essere isolati prima di intervenire su di essi.

10. Riparazione di componenti a sicurezza intrinseca

Non applicare carichi induttivi o capacitivi permanenti al circuito senza assicurarsi che non superino la tensione e la corrente consentite per l'apparecchiatura in uso.

I componenti a sicurezza intrinseca sono gli unici che possono essere lavorati sotto tensione in presenza di un'atmosfera infiammabile. L'apparecchiatura di prova deve avere il valore nominale corretto.

Sostituire i componenti solo con le parti specificate dal produttore. Altri componenti possono provocare l'accensione del refrigerante nell'atmosfera a causa di una perdita.

11. Cablaggio

Verificare che il cablaggio non sia soggetto a usura, corrosione, pressione eccessiva, vibrazioni, bordi taglienti o altri effetti ambientali negativi. La verifica deve tenere conto anche degli effetti dell'invecchiamento o delle vibrazioni continue provenienti da fonti quali compressori o ventilatori.

12. Rilevamento delle perdite di refrigeranti infiammabili

Per la ricerca o il rilevamento di perdite di refrigerante non si devono utilizzare in nessun caso fonti potenziali di accensione. Non deve essere utilizzata una torcia ad alogenuri (o qualsiasi altro rilevatore che utilizzi una fiamma libera).

13. Metodi di rilevamento delle perdite

I seguenti metodi di rilevamento delle perdite sono accettabili per i sistemi contenenti refrigerante infiammabile.

I rilevatori elettronici di perdite possono essere utilizzati per rilevare refrigeranti infiammabili, ma la sensibilità potrebbe non essere adeguata o potrebbe essere necessaria una ricalibrazione (l'apparecchiatura di rilevamento deve essere calibrata in un'area priva di refrigerante).

I liquidi per il rilevamento delle perdite sono adatti all'uso con la maggior parte dei refrigeranti, ma si deve evitare l'uso di detergenti contenenti cloro, poiché il cloro potrebbe reagire con il refrigerante e corrodere le tubature di rame.

Se si sospetta una perdita, tutte le fiamme libere devono essere rimosse/estinte.

Se viene rilevata una perdita di refrigerante che richiede la brasatura, tutto il refrigerante deve essere recuperato dal sistema. L'azoto privo di ossigeno (OFN) deve essere spurgato nel sistema prima e durante il processo di brasatura.

14. Rimozione ed evacuazione

Quando si interviene nel circuito del refrigerante per effettuare riparazioni o per qualsiasi altro scopo, si devono utilizzare le procedure convenzionali. Tuttavia, è importante seguire le migliori pratiche, poiché l'infiammabilità è un fattore importante. Si deve seguire la seguente procedura:

Rimuovere il refrigerante;

Spurgare il circuito con gas inerte;

Evacuare;

Spurgare nuovamente con gas inerte;

Aprire il circuito mediante taglio o brasatura.

La carica di refrigerante deve essere recuperata nelle apposite bombole di recupero. Il sistema deve essere "lavato" con OFN per rendere l'unità sicura. Questo processo potrebbe dover essere ripetuto più volte. Per questa operazione non si deve usare aria compressa o ossigeno.

Il lavaggio deve essere effettuato rompendo il vuoto nel sistema con l'OFN e continuando a riempire fino a raggiungere la pressione di esercizio, quindi sfiatando nell'atmosfera e infine riducendo il vuoto. Questo processo deve essere ripetuto fino all'esaurimento del refrigerante nel sistema. Quando la carica finale di OFN è stata utilizzata, il sistema deve essere sfiatato fino alla pressione atmosferica per consentire il lavoro.

Questa operazione è assolutamente necessaria se si devono effettuare operazioni di brasatura sulle tubazioni. Assicurarsi che l'uscita della pompa del vuoto non sia vicina a fonti di accensione e che sia disponibile una ventilazione.

15. Procedure di carica del refrigerante

Oltre alle procedure di carica convenzionali, si devono seguire i seguenti requisiti.

-Assicurarsi che non si verifichi la contaminazione di refrigeranti diversi quando si utilizza l'attrezzatura di carica. I tubi o le linee devono essere il più corti possibile per ridurre al minimo la quantità di refrigerante in essi contenuta.

-I cilindri devono essere tenuti in posizione verticale.

-Assicurarsi che il sistema di refrigerazione sia collegato a terra prima di caricare il sistema con il refrigerante.

-Etichettare il sistema al termine della carica (se non lo è già).

-Prestare la massima attenzione a non riempire eccessivamente il sistema di refrigerazione.

Prima di ricaricare l'impianto, questo deve essere sottoposto a prova di pressione con OFN. Il sistema deve essere sottoposto a una prova di tenuta al termine della ricarica, ma prima della messa in funzione. Prima di lasciare il sito, deve essere eseguita una prova di tenuta successiva.

16. Disattivazione

Prima di eseguire questa procedura, è essenziale che il tecnico conosca completamente l'apparecchiatura e tutti i suoi dettagli. Si raccomanda la buona prassi di recuperare tutti i refrigeranti in modo sicuro. Prima di eseguire l'operazione, è necessario prelevare un campione di olio e di refrigerante nel caso in cui sia necessaria un'analisi prima del riutilizzo del refrigerante recuperato. È essenziale che l'alimentazione elettrica sia disponibile prima di iniziare l'attività.

Acquisire familiarità con l'apparecchiatura e il suo funzionamento.

b) Isolare elettricamente il sistema.

c) Prima di intraprendere la procedura, assicurarsi che: l'attrezzatura meccanica di movimentazione sia disponibile, se riparata, per la movimentazione delle bombole di refrigerante; tutti i dispositivi di protezione individuale siano disponibili e utilizzati correttamente; il processo di recupero sia supervisionato in ogni momento da una persona competente; l'attrezzatura di recupero e le bombole siano conformi agli standard appropriati.

d) Se possibile, mettere sotto vuoto il sistema del refrigerante.

e) Se non è possibile fare il vuoto, creare un collettore in modo che il refrigerante possa essere rimosso dalle varie parti del sistema.

f) Assicurarsi che la bombola sia posizionata sulla bilancia prima di procedere al recupero.

g) Avviare la macchina di recupero e operare secondo le istruzioni del produttore.

h) Non riempire eccessivamente le bombole (non più dell'80% di carica di liquido in volume).

i) Non superare la pressione massima di esercizio della bombola, nemmeno temporaneamente.

j) Quando le bombole sono state riempite correttamente e il processo è stato completato, assicurarsi che le bombole e l'apparecchiatura siano rimosse tempestivamente dal sito e che tutte le valvole di isolamento dell'apparecchiatura siano chiuse.

k) Il refrigerante recuperato non deve essere caricato in un altro sistema di refrigerazione se non è stato pulito e controllato.

17. Etichettatura

L'apparecchiatura deve essere etichettata indicando che è stata smantellata e svuotata del refrigerante. L'etichetta deve essere datata e firmata. Assicurarsi che sull'apparecchiatura siano presenti etichette che indichino che l'apparecchiatura contiene refrigerante infiammabile.

18. Recupero

Quando si rimuove il refrigerante da un sistema, sia per la manutenzione che per lo smantellamento, si raccomanda la buona prassi di rimuovere tutti i refrigeranti in modo sicuro.

Quando si trasferisce il refrigerante nelle bombole, assicurarsi che vengano utilizzate solo bombole di recupero del refrigerante appropriate. Assicurarsi che sia disponibile il numero corretto di bombole per la carica totale del sistema. Tutte le bombole da utilizzare sono progettate per il refrigerante recuperato ed etichettate per tale refrigerante (ad esempio, bombole speciali per il recupero del refrigerante). Le bombole devono essere complete di valvola di sicurezza e dei relativi valori di chiusura in buone condizioni di funzionamento. Le bombole di recupero vuote vengono evacuate e, se possibile, raffreddate prima di procedere al recupero.

L'apparecchiatura di recupero deve essere in buono stato di funzionamento con una serie di istruzioni relative all'apparecchiatura a portata di mano e deve essere adatta al recupero di refrigeranti infiammabili.

Inoltre, deve essere disponibile una serie di bilance calibrate e in buono stato di funzionamento. I tubi flessibili devono essere completi di raccordi di disconnessione privi di perdite e in buone condizioni.

Prima di utilizzare la macchina di recupero, verificare che sia in condizioni di funzionamento soddisfacenti, che sia stata sottoposta a una manutenzione adeguata e che tutti i componenti elettrici associati siano sigillati per evitare l'accensione in caso di rilascio di refrigerante. In caso di dubbi, consultare il produttore.

Il refrigerante recuperato deve essere restituito al fornitore di refrigerante nella corretta bombola di recupero e deve essere redatta la relativa nota di trasferimento dei rifiuti. Non mescolare i refrigeranti nelle unità di recupero e soprattutto nelle bombole.

Se i compressori o gli oli per compressori devono essere rimossi, assicurarsi che siano stati evacuati a un livello accettabile per assicurarsi che il refrigerante infiammabile non rimanga nel lubrificante. Il processo di evacuazione deve essere eseguito prima di restituire il compressore ai fornitori. Per accelerare questo processo si deve ricorrere esclusivamente al riscaldamento elettrico del corpo del compressore. Lo svuotamento dell'olio da un sistema deve essere effettuato in modo sicuro.

19. Trasporto di apparecchiature contenenti refrigeranti infiammabili Determinato dalle normative locali.

20. Apparecchiature dismesse contenenti refrigeranti infiammabili Vedere le normative nazionali.

21. Apparecchiature in confezione di stoccaggio (invendute)

La protezione del pacchetto di stoccaggio deve essere costruita in modo tale che un danno meccanico all'apparecchiatura all'interno del pacchetto non provochi una perdita della carica di refrigerante.

Il numero massimo di apparecchiature che possono essere stoccate insieme è determinato dalle normative locali.

If you have any questions, please contact our customer care center.

US

Our contact details are below:

 001-877-644-9366


 customerservice@aosom.com

Imported by Aosom LLC
27150 SW Kinsman Rd Wilsonville, OR 97070 USA
MADE IN CHINA

Si tiene alguna pregunta, comuníquese con nuestro Centro de Atención al Cliente.

ES

Nuestros datos de contacto son los siguientes:

 0034-931294512


 atencioncliente@aosom.es

IMPORTADOR:
SPANISH AOSOM, S.L.
C/ ROC GROS, Nº 15. 08550, ELS HOSTALETES DE BALENYÀ, SPAIN.
B66295775
WWW.AOSOM.ES
HECHO EN CHINA

If you have any questions, please contact our customer care center.

CA

Our contact details are below:


 416-792-6088

 customerservice@aosom.ca

Imported by Aosom Canada Inc.
7270 Woodbine Avenue, Unit 307, Markham,
Ontario Canada L3R 4B9
MADE IN CHINA

Si vous avez la moindre question, veuillez contacter notre centre d'assistance à la clientèle.

Nos coordonnées sont les suivantes:

 416-792-6088


 customerservice@aosom.ca

Importé par Aosom Canada Inc.
7270 Woodbine Avenue, unité 307,
Markham, Ontario Canada L3R 4B9
Fabriqué en Chine

Se tiver alguma dúvida, por favor contacte o nosso Centro de Atendimento ao Cliente.

PT

Os nossos dados de contacto são os seguintes:

 0034-931294512 (SEG-SEX DAS 7:30H ÀS 16:30H)

 info@aosom.pt.

IMPORTADOR:
SPANISH AOSOM, S.L
C.ROC GROS N.15, 08550. ELS HOSTALETES DE BALENYÀ
WWW.AOSOM.PT

Wenn Sie Fragen haben, wenden Sie sich bitte an unser Kundendienstzentrum.

DE

Unsere Kontaktdaten stehen unten:

 0049-0(40)-88307530  service@aosom.de

ADRESSE DES IMPORTEURS:

MH Handel GmbH
Wendenstraße 309
D-20537 Hamburg
Germany
IN CHINA HERGESTELLT

In caso di dubbio, si prega di contattare il nostro centro assistenza clienti.

IT

I nostri dettagli di contatto sono di seguito:


 0039-0249471447  clienti@aosom.it

IMPORTATO DA:
AOSOM Italy srl
Centro Direzionale Milanofiori
Strada 1 Palazzo F1
20057 Assago (MI)
P.I.: 08567220960
FATTO IN CINA

If you have any questions, please contact our customer care center.

UK

Our contact details are below:

 0044-800-240-4004


 enquiries@mhstar.co.uk

IMPORTER ADDRESS:
MH STAR UK LTD
Unit 27, Perivale Park,
Horsenden lane South
Perivale, UB6 7RH
MADE IN CHINA

Si vous avez la moindre question, veuillez contacter notre centre d'assistance à la clientèle.

FR

Nos coordonnées sont les suivantes:

 0033-1-84166106

 aosom@mhfrance.fr

Importé par:
MH France
2, rue Maurice Hartmann
92130 Issy-les-Moulineaux
France
Fabriqué en Chine