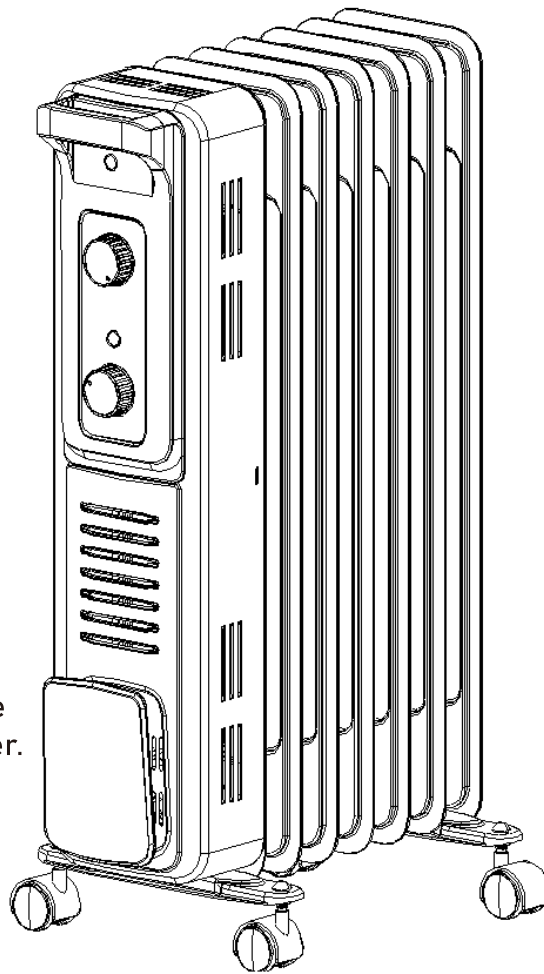




IN240500271V01_UK

820-413V70_820-413V71_820-413V72



If you have any questions, please contact our customer care center. Our contact details are below:

 0044-800-240-4004

 enquiries@mhstar.co.uk

IMPORTER ADDRESS:
MH STAR UK LTD
Unit 27, Perivale Park,
Horsenden lane South
Perivale, UB6 7RH
MADE IN CHINA

Operation instructions for oil filled radiator



EN_IMPORTANT, RETAIN FOR FUTURE REFERENCE: READ CAREFULLY.

FR_IMPORTANT: A LIRE ATTENTIVEMENT ET À CONSERVER POUR CONSULTATION ULTÉRIEURE.

ES_IMPORTANTE, LEA Y GUARDE PARA FUTURAS REFERENCIAS.

PT_IMPORTANTE, RETER PARA REFERÊNCIA FUTURA: LEIA ATENTAMENTE.

DE_WICHTIG! SORFGFÄLTIG LESEN UND FÜR SPÄTERES NACHSCHLAGEN AUFBEWAHREN.

IT_IMPORTANTE! CONSERVARE IL PRESENTE MANUALE PER FUTURO RIFERIMENTO E LEGGERLO ATTENTAMENTE.

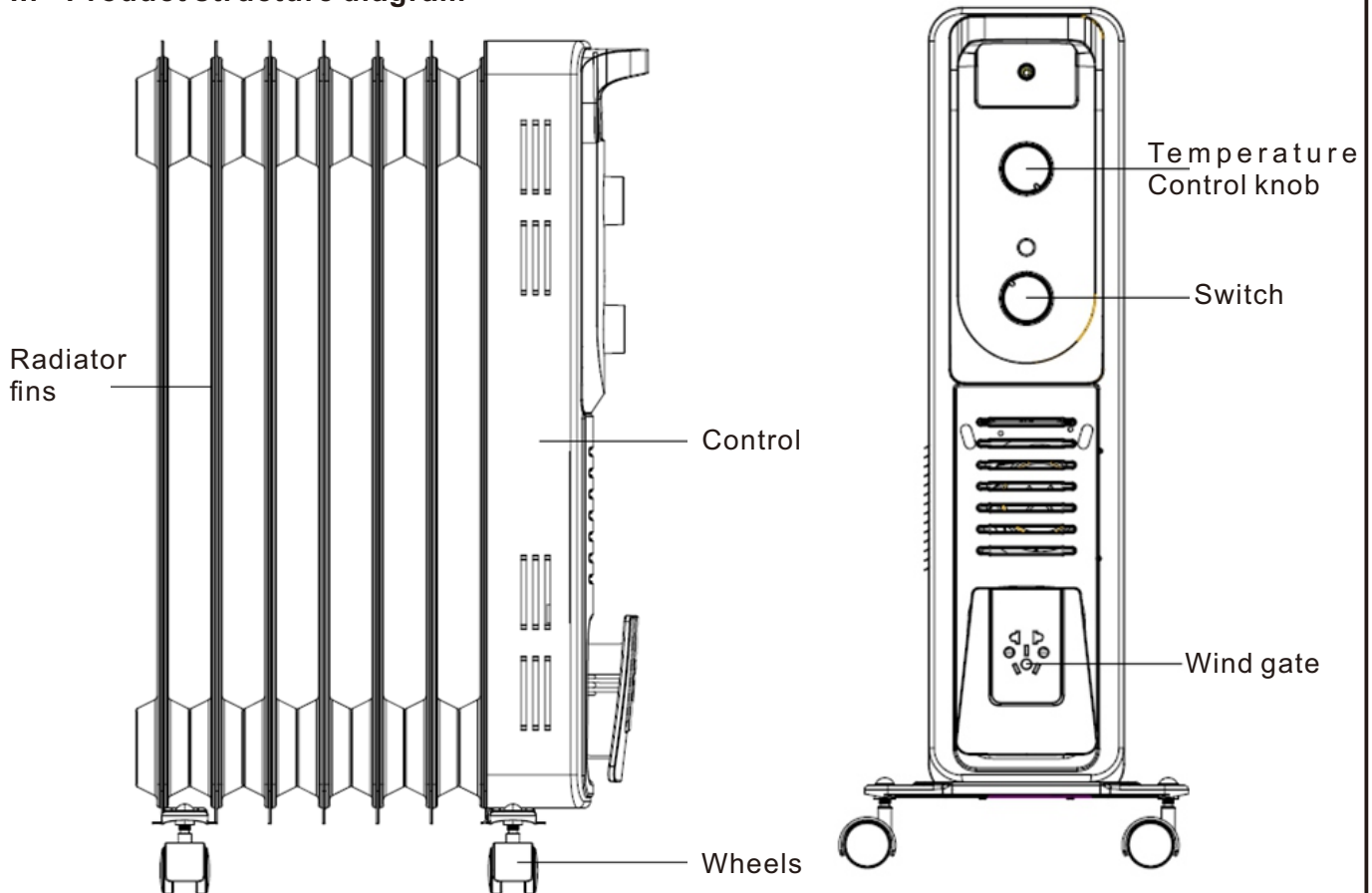
Radiator instructions

Before operating this product, carefully read and follow these instructions. Keep this manual for future reference.

I. Product characteristics

-This electrothermal radiator utilises a tubular element as the heat source and permanent heat conduction oil as the medium. Heat is dissipated through radiation fins, and room temperature increases through air circulation.

II. Product structure diagram



III. Operation instructions

Mounting:

1. Remove the product and all its components from the packaging.
2. Place the product upside down.
3. Position the footplate on top of both radiator fins.
4. Secure the footplate to the radiator using the provided U-type bolt and wing nut.
5. Tighten the bolt securely.
6. Carefully lift the product and place it in an upright position.

Placing:

1. Ensure the radiator is at least 90cm away from walls, furniture, curtains and any other objects.
2. Check that the power supply matches the specifications indicated on the radiator's nameplate.
3. Ensure both the temperature controller switch and power switch are in the 'OFF' position.
4. Plug in the power cord to the appropriate outlet.

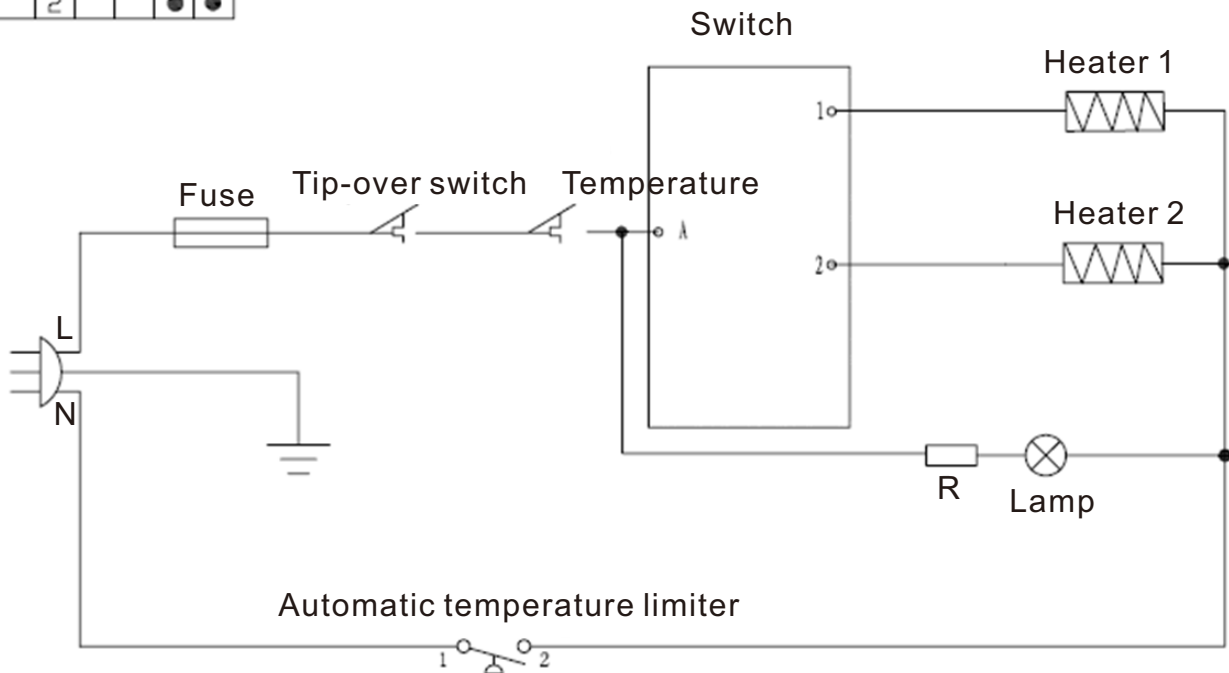
Temperature control:

1. The temperature control allows you to regulate the room temperature.
2. To increase the temperature, turn the temperature clockwise.
3. To reduce the temperature, turn the temperature controller anticlockwise.
4. When not in use, press the power button to switch it to the initial position. Turn the temperature knob to the minimum setting and unplug the power cord.

Note: When turned off, the radiator cools down slowly – do not move the product until the oil has completely cooled down. Always use the handle when moving the device.

shift or gear

| | | | | | |
|---|---|---|---|----|-----|
| | | 0 | I | II | III |
| A | 1 | | ● | | ● |
| | 2 | | | ● | ● |



Cleaning

1. Disconnect the power supply before cleaning.
 2. Wipe the outside surface of the product with a damp cloth, then dry it thoroughly with a soft cloth.
- Avoid using wax or brush polish, as they may react with the radiator and cause discoloration.

Safety protection

1. Whilst in operation, do not cover the radiator – this could result in a fire hazard.
2. Keep the radiator at least 90cm away from furniture, curtains, bed sheets, clothes, walls and any flammable objects.
3. Do not disassemble the radiator fins.
4. Take caution when children are near or using the radiator.
5. Do not allow the cord to touch damp or hot objects. Keep the cord out of reach of children.
6. Do not use this appliance outdoors.
7. Keep this product away from hot gasoline and electrical burners.
8. Do not use the radiator if the wire or plug is damaged. Seek professional repair if necessary.
9. Do not remove any parts of the radiator, including buttons.
10. This appliance is only suitable for indoor rooms.
11. After removing dust, ensure any oil residue on the surface of the heater is wiped away.

IV. Warning

- Read all instructions carefully before operating this product.
- If not using the product for long periods, disconnect the power supply.
- Do not place clothes or other objects on the product for heating, as it may cause a fire hazard.
- Avoid positioning the product directly below a socket outlet.
- Never use this product with high humidity, such as bathrooms, saunas or swimming pools.
- The oil used in this product is a specialized heat conduction oil. Opening the oil tank for repair is only permitted by the manufacturer or authorised representatives. If there is an oil leakage, contact us immediately. Wipe away any remaining oil on the surface.
- Only turn the timer dial clockwise as indicated by the arrow. Forcing it to turn anticlockwise may damage the timer.

- If the cord is damaged, promptly contact the manufacturer or service representatives for replacement to avoid potential hazards.
- Follow regulations for the proper disposal of oil when discarding the product. Do not throw or burn it.
- This appliance is not intended for use by individuals (including children) with physical, sensory or mental capabilities, or those lacking experience and knowledge, unless they are under supervision or have been instructed on the safe use of the appliance by a responsible person.
- Children must be supervised to prevent them from playing with the appliance.

Warranty information

The manufacturer offers a warranty in accordance with the laws of the customer's country of residence, with a minimum duration of one year (Germany: Two years), starting from the date of sale to the end user.

The warranty covers defects in materials or workmanship.

Repairs covered under the warranty can only be performed by an authorised service center. To claim warranty service, the original purchase receipt (including the purchase date) must be provided.

The warranty will not apply in the following cases:

- Normal wear and tear.
- Incorrect use, such as overloading the appliance or using non-approved accessories.
- Damage caused by external factors or forces.
- Failure to follow the user manual's instructions, such as connecting the appliance to an unsuitable power supply or not complying with installation guidelines.
- Partial or complete disassembly of the appliance.

For further details on warranty coverage and claim procedures, contact the manufacturer.

Correct disposal of this product



Waste electrical products should not be disposed of with household waste. Please recycle where facilities exist. Check with your local authority or retailer for recycling advice.

V. Technical parameters

| Type | Number of radiating fins | Rated voltage (V) | Frequency(Hz) | Power in Level I (W)230V | Power in Level II (W)230V | Total input power in Level III(W)230V |
|-------------|--------------------------|-------------------|---------------|--------------------------|---------------------------|---------------------------------------|
| HD954-A5Q | 5 | 220-240 | 50/60 | 400 | 600 | 1000 |
| HD954-A7Q | 7 | 220-240 | 50/60 | 600 | 900 | 1500 |
| HD954-A9Q | 9 | 220-240 | 50/60 | 800 | 1200 | 2000 |
| HD954-A11Q | 11 | 220-240 | 50/60 | 1000 | 1500 | 2500 |
| HD954-A13Q | 13 | 220-240 | 50/60 | 1000 | 1500 | 2500 |
| HD954-A13Q | 13 | 220-240 | 50/60 | 1200 | 1600 | 2800 |
| HD954A-A5Q | 5 | 220-240 | 50/60 | 400 | 600 | 1000 |
| HD954A-A7Q | 7 | 220-240 | 50/60 | 600 | 900 | 1500 |
| HD954A-A9Q | 9 | 220-240 | 50/60 | 800 | 1200 | 2000 |
| HD954A-A11Q | 11 | 220-240 | 50/60 | 1000 | 1500 | 2500 |
| HD954A-A13Q | 13 | 220-240 | 50/60 | 1000 | 1500 | 2500 |
| HD954A-A13Q | 13 | 220-240 | 50/60 | 1200 | 1600 | 2800 |