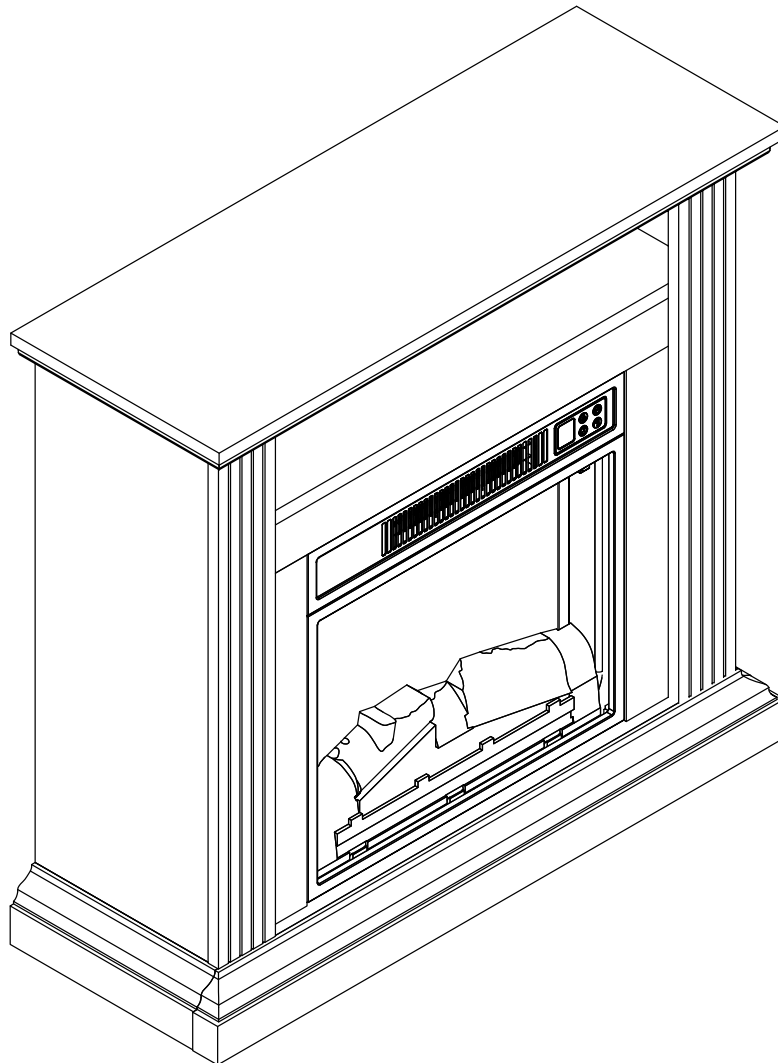


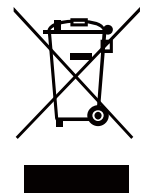


IN240701649V01_FR_IT

820-440V90BN



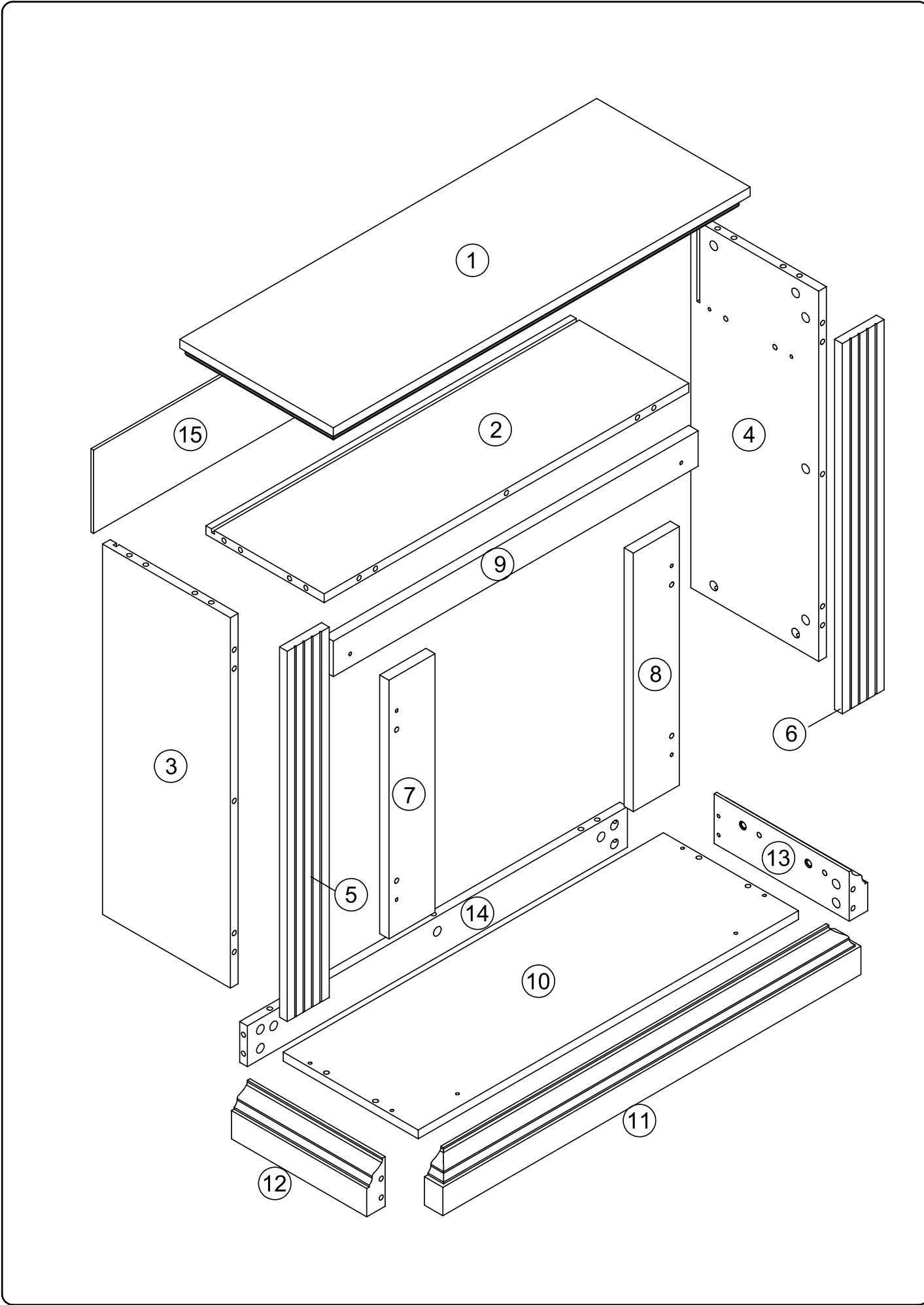
220-240V~50Hz 1800-2000W



EN_IMPORTANT, RETAIN FOR FUTURE REFERENCE: READ CAREFULLY.

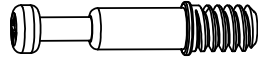
**IT_IMPORTANTE! CONSERVARE IL PRESENTE MANUALE PER FUTURO RIFERIMENTO E
LEggerlo ATTENTAMENTE.**

**FR_IMPORTANT: A LIRE ATTENTIVEMENT ET À CONSERVER POUR CONSULTATION
ULTÉRIEURE.**



HARDWARE

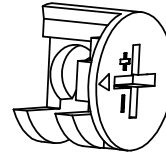
x34



(A)

PH-KDBZNC001

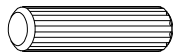
x34



(B)

PH-KDCZNC001

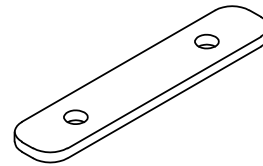
x20



(D)

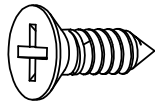
Ø8x30mm
PH-DWLNTL001

x2



(J)

x4



(CC)

Ø4x16mm

x4



(LL)

Ø8x20mm

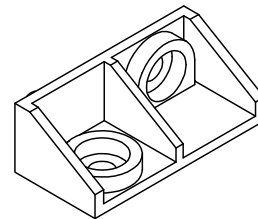
x6



(MM)

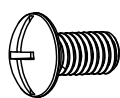
Ø4x25mm

x7



(NN)

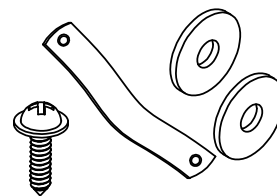
x14



(OO)

Ø1/4"x12mm

x1



(PP)

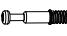

HARDWARE

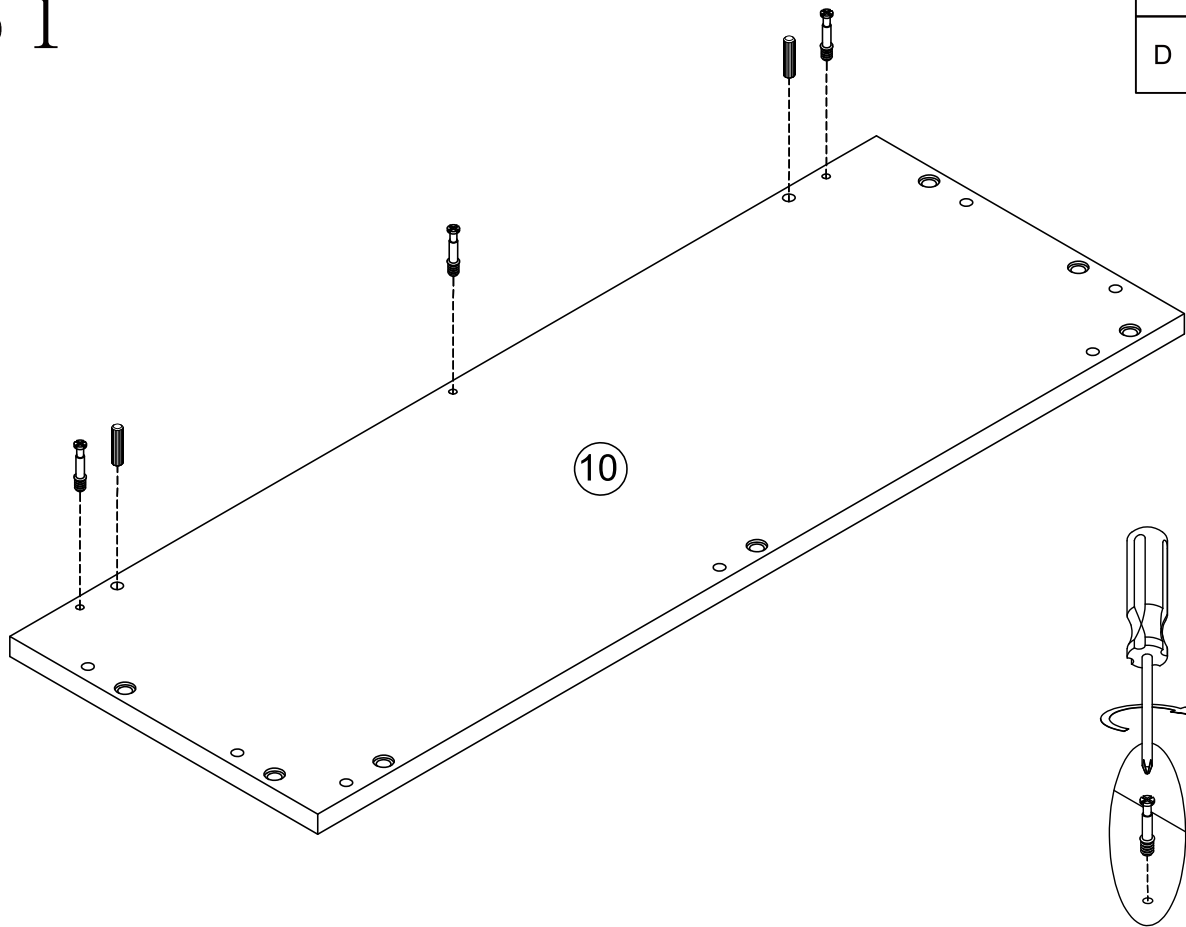
x1





QQ

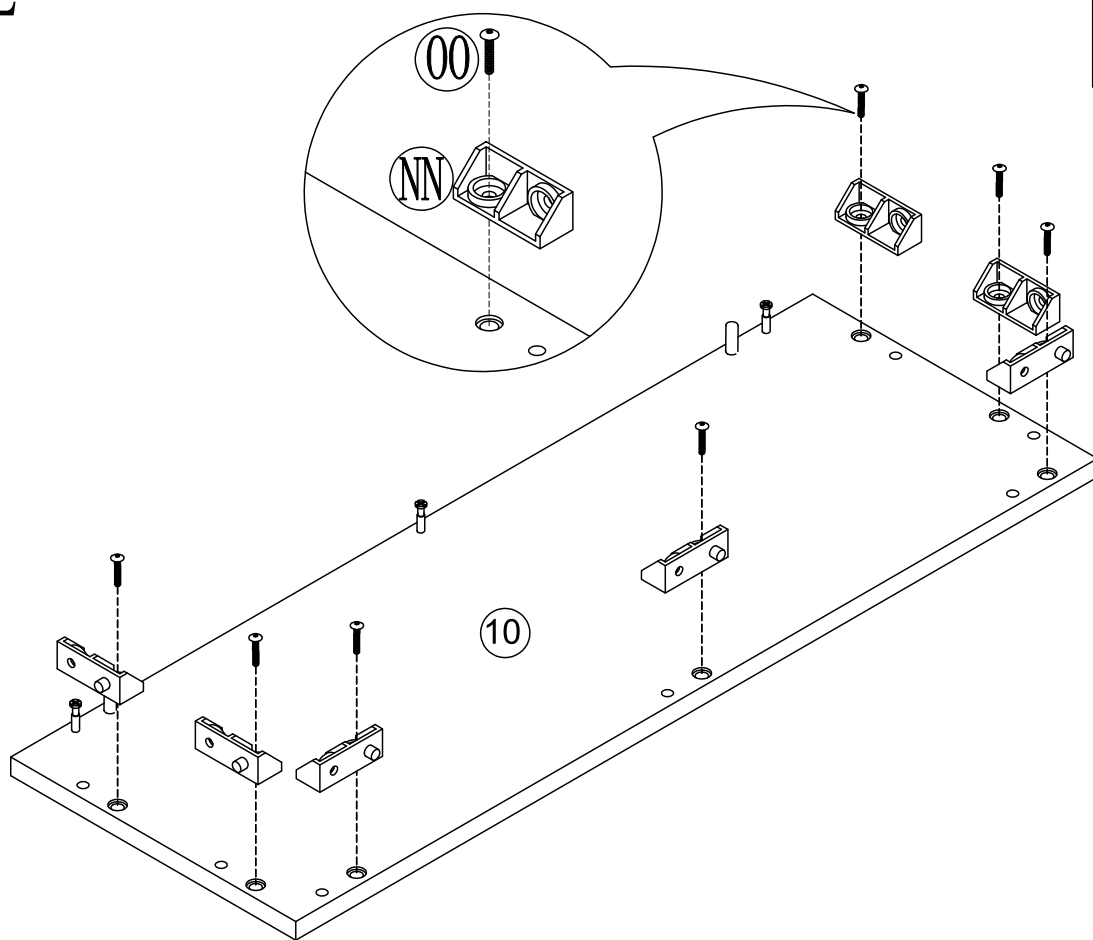
Step 1

A		3
D		2




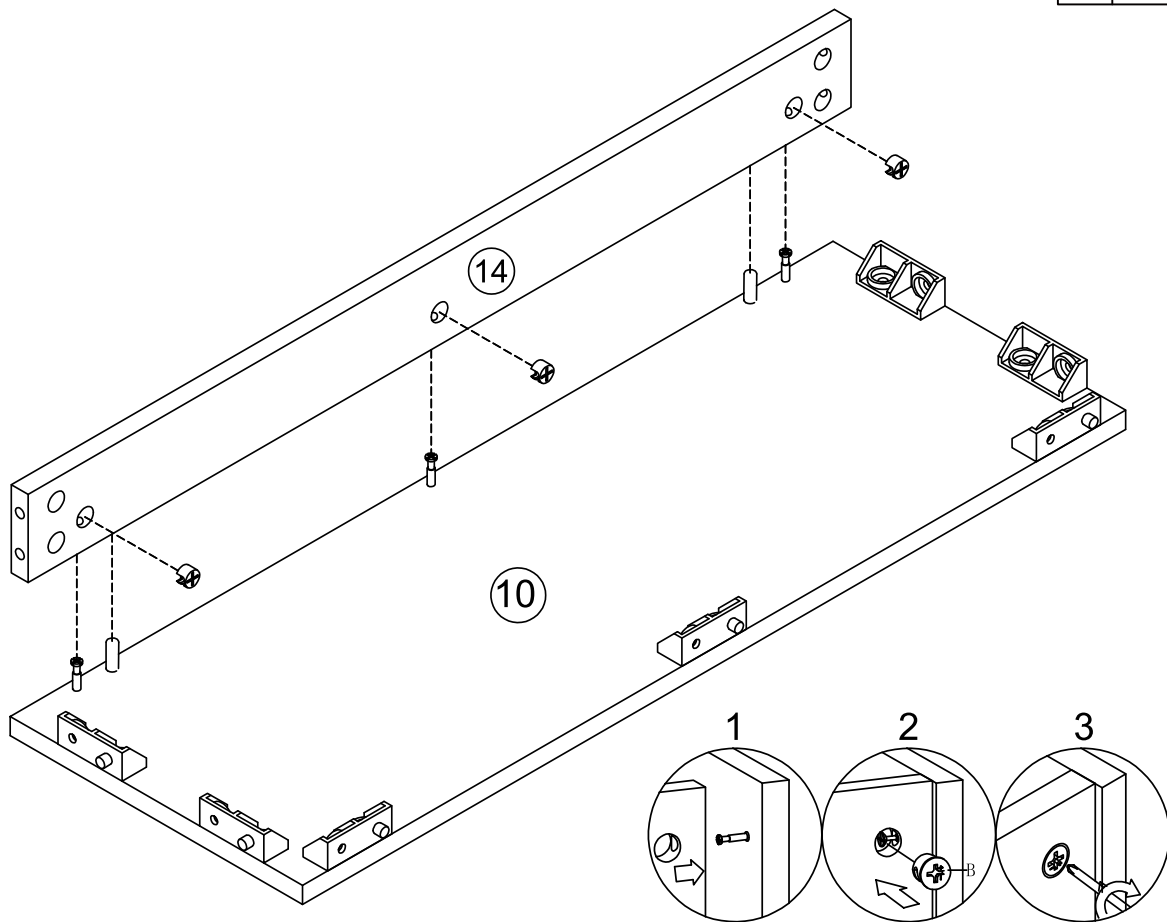
Step 2

NN		7
OO		7




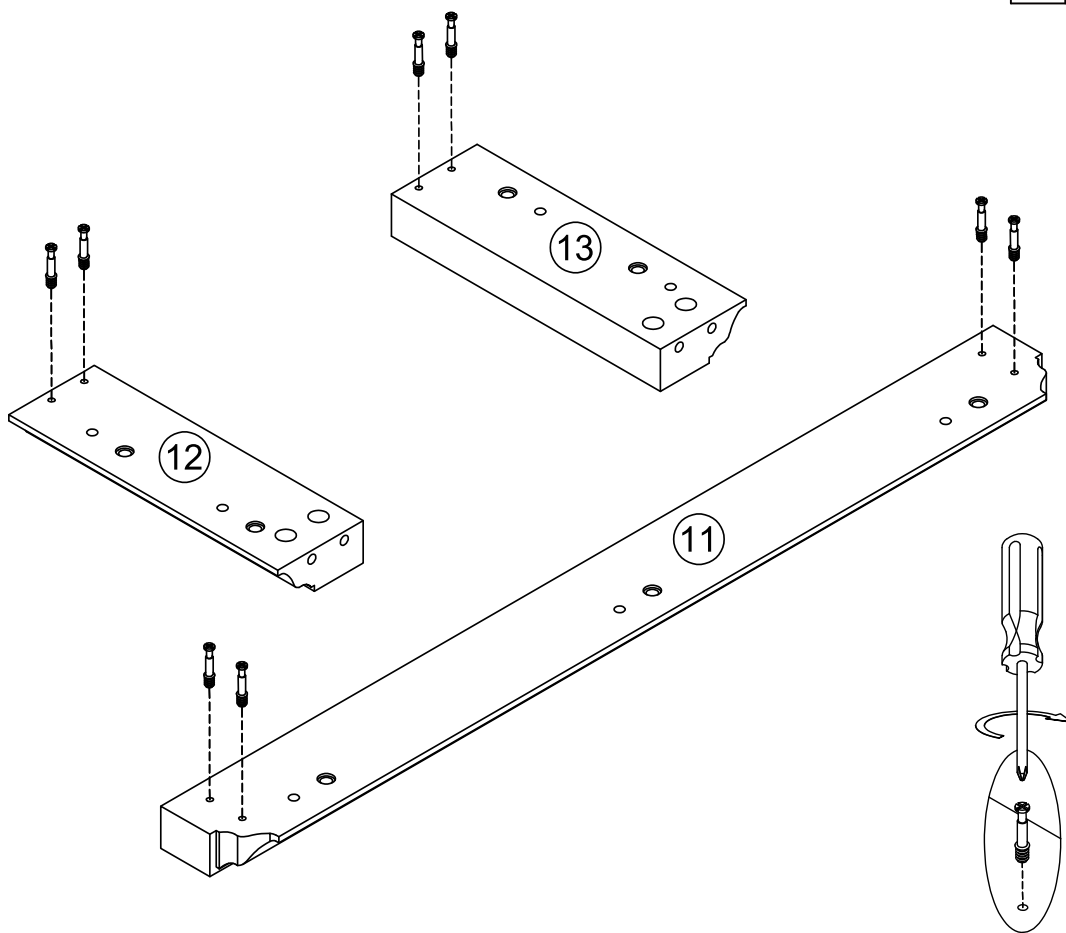
Step 3

B		3
---	--	---





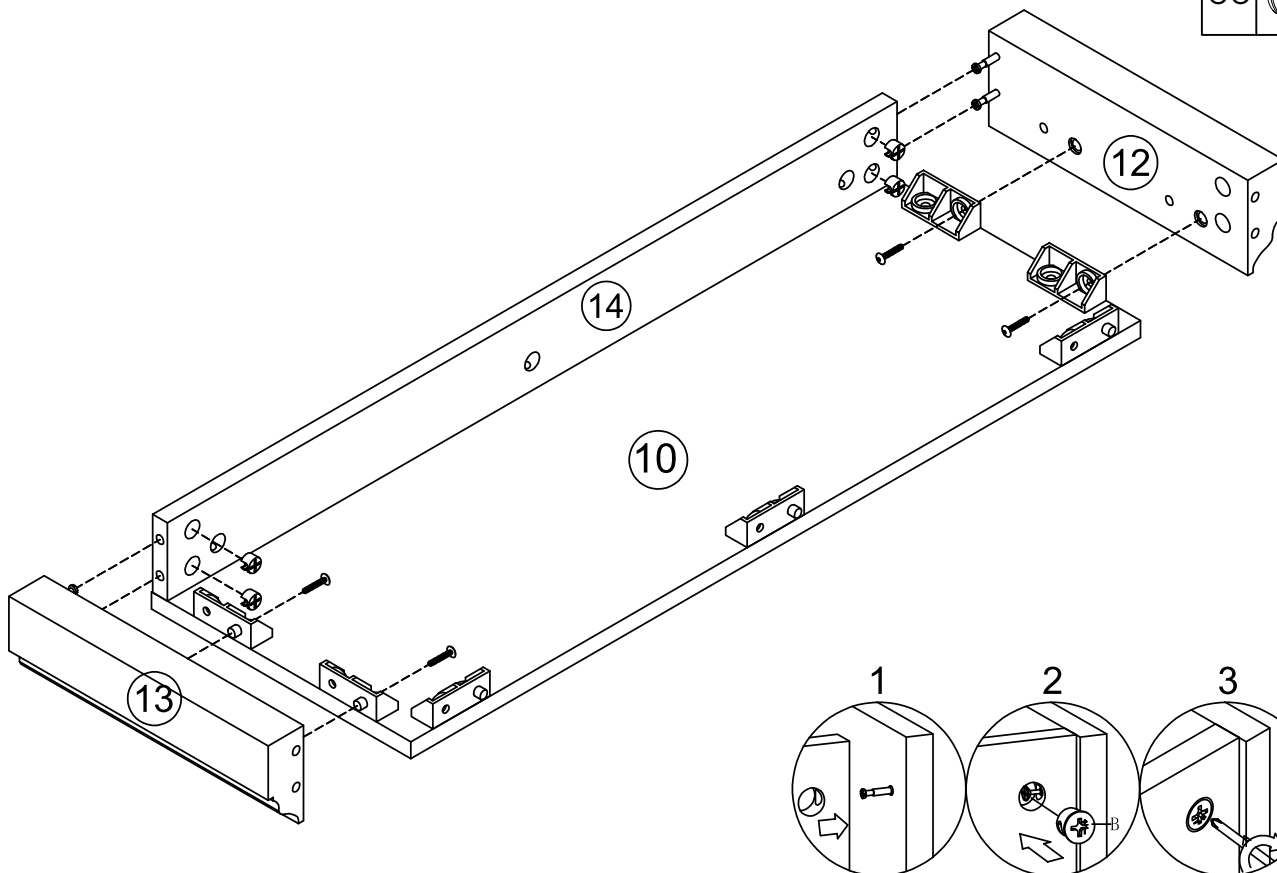
Step 4

A		8
---	---	---





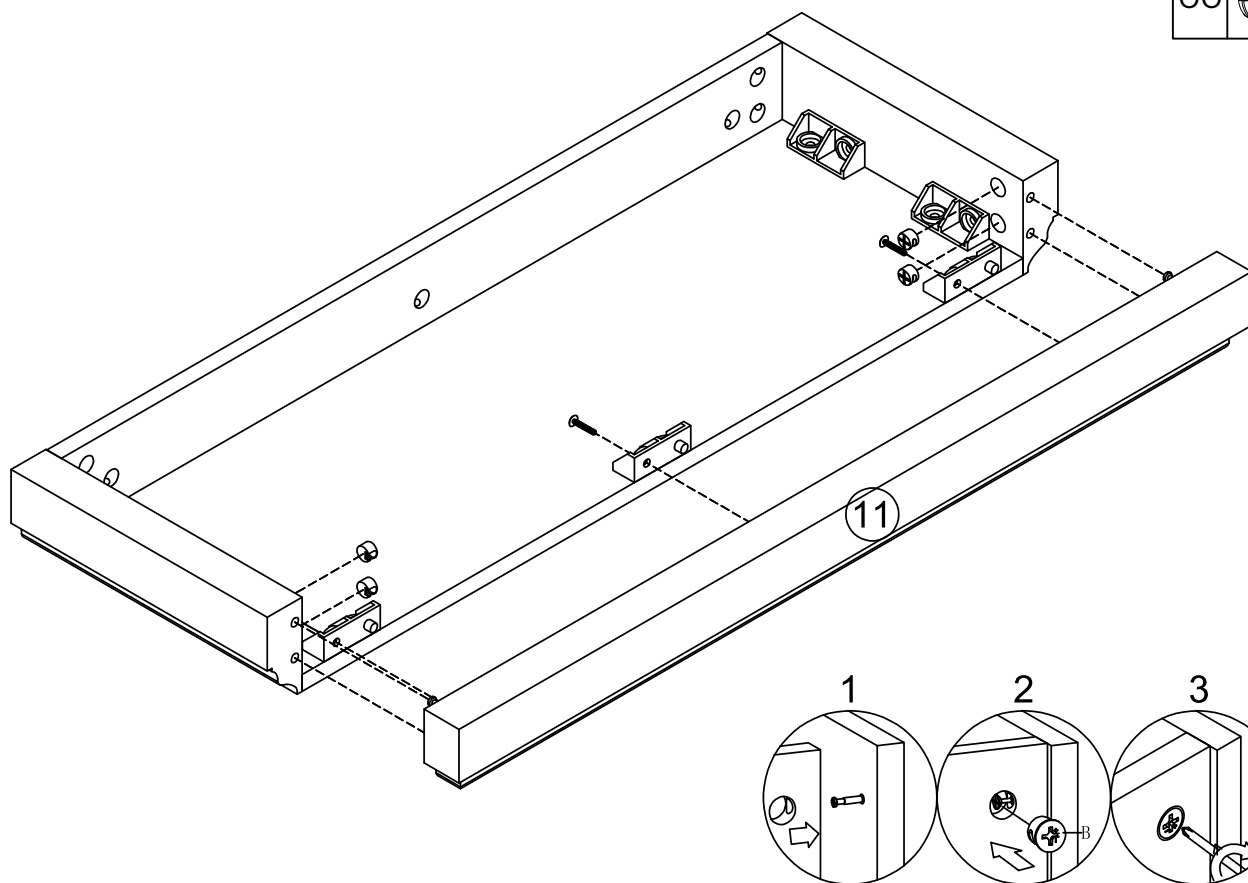
Step 5

B		4
OO		4





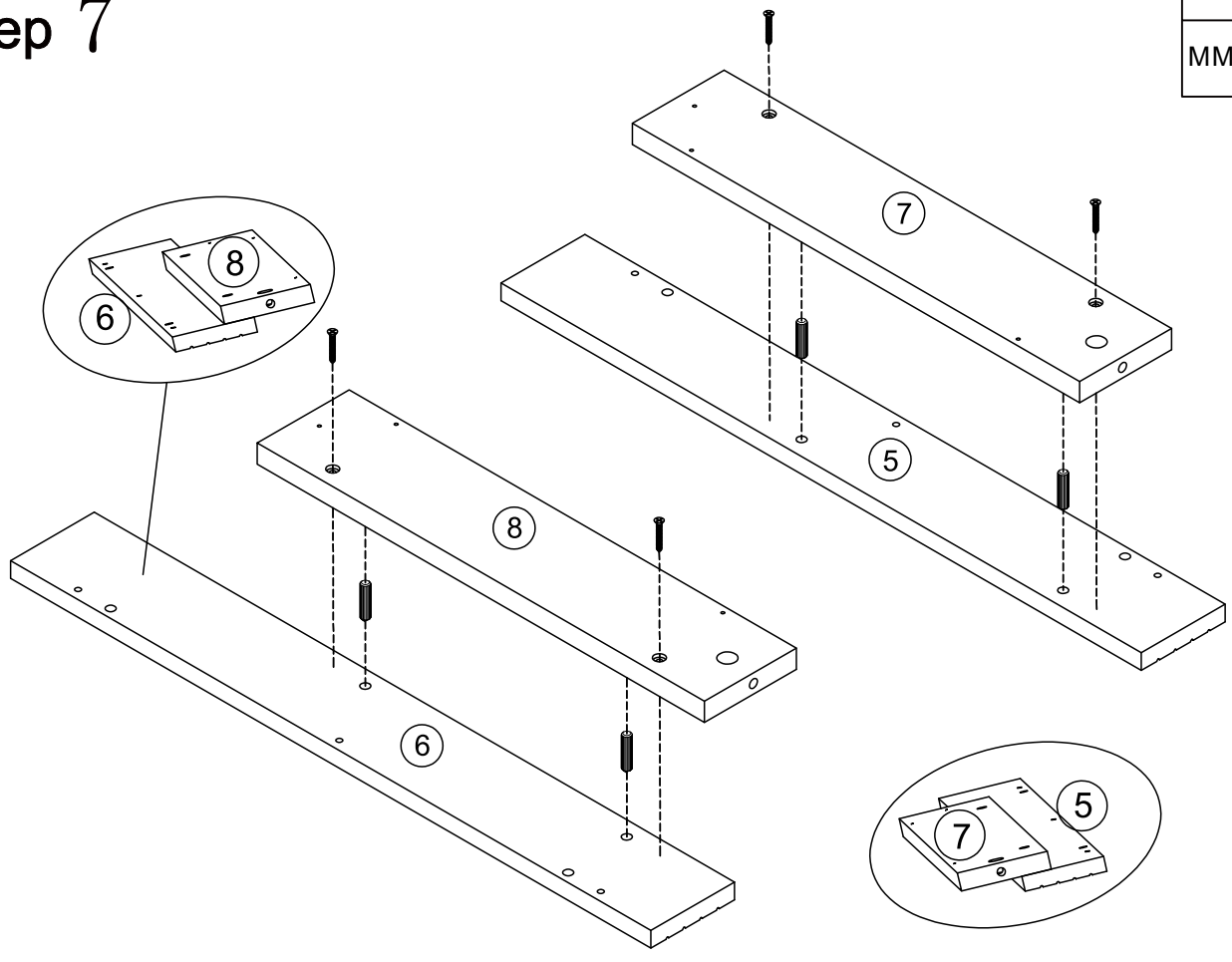
Step 6

B		4
OO		3

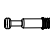



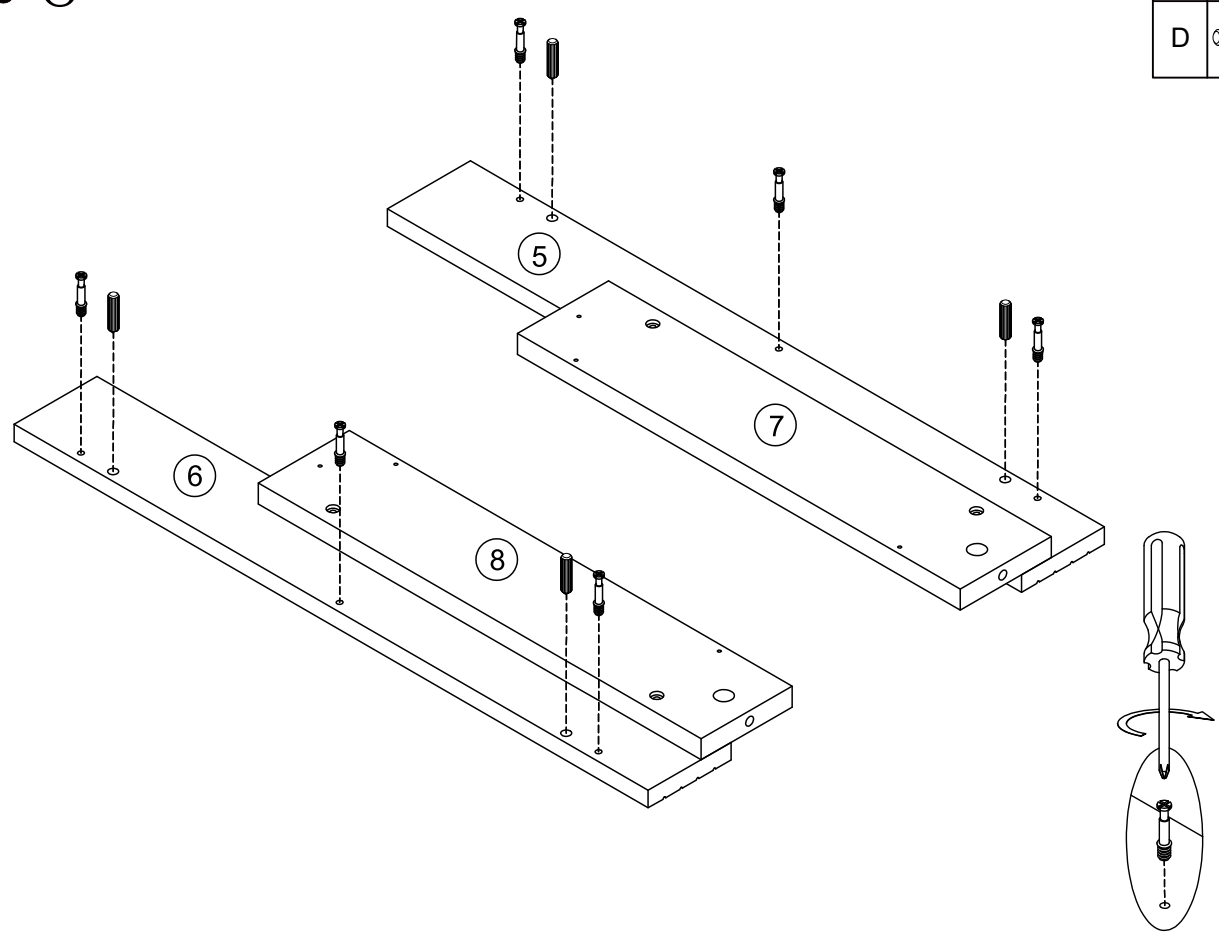
Step 7

LL		4
MM		4




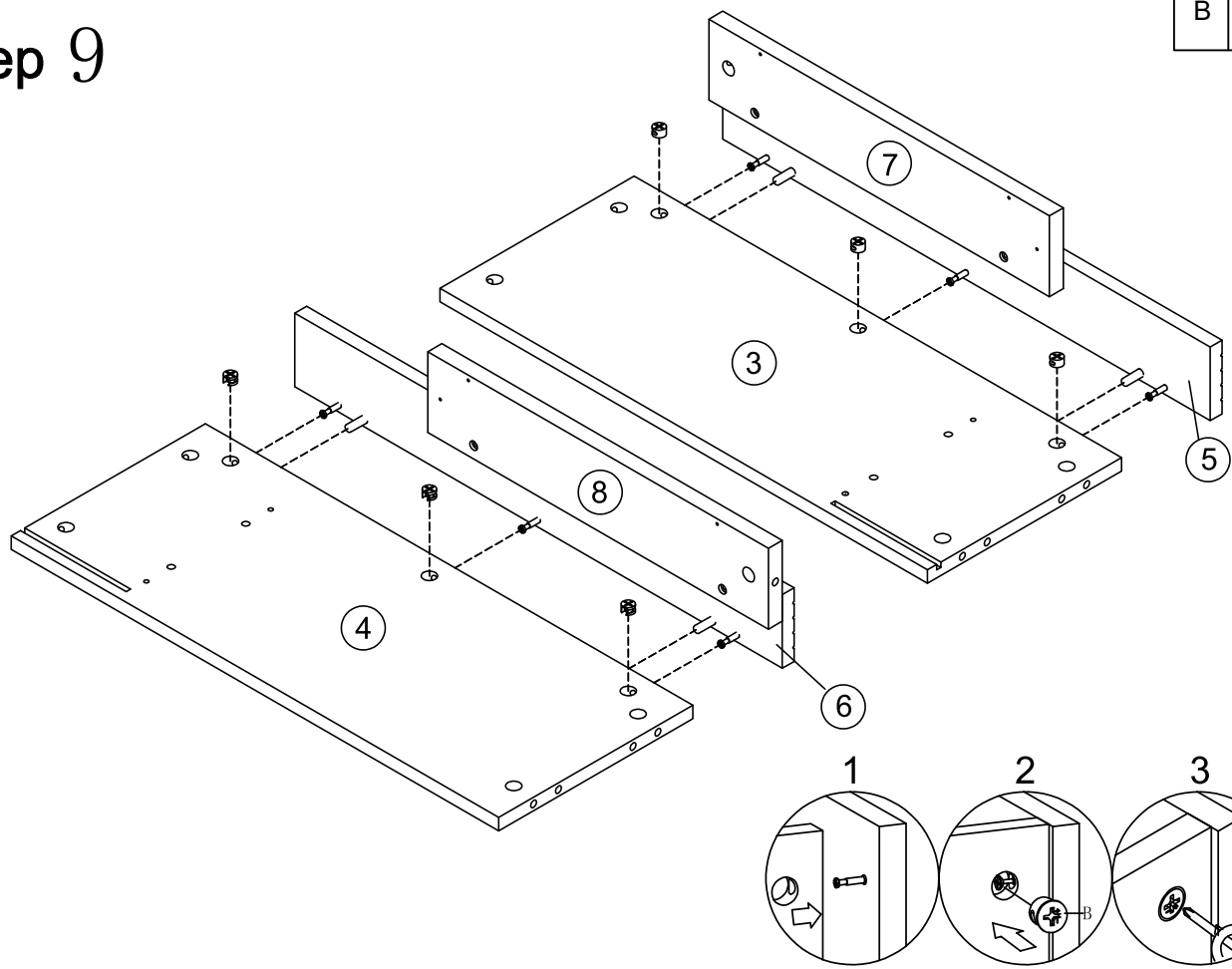
Step 8

A		6
D		4

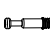



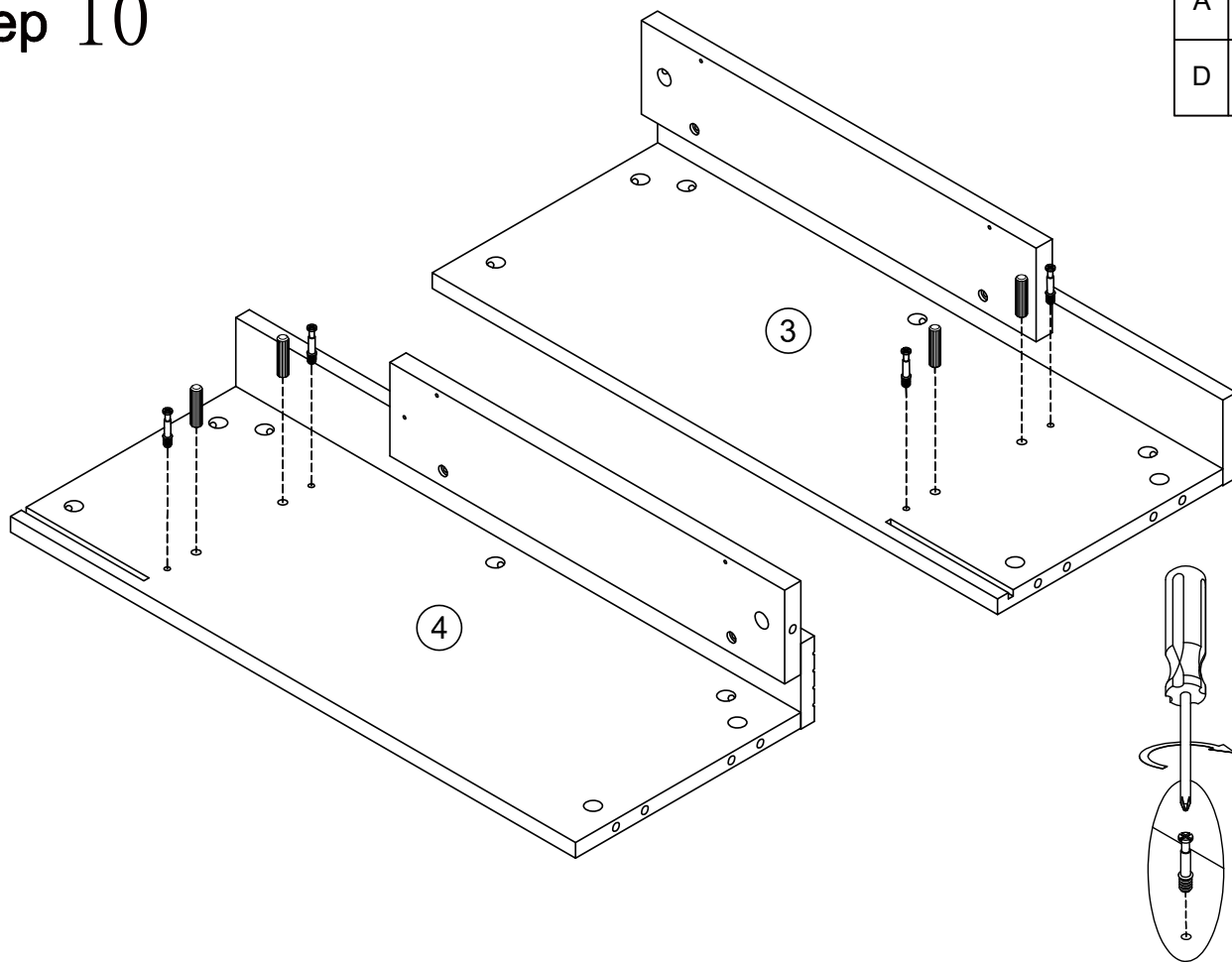
Step 9

B		6
---	--	---





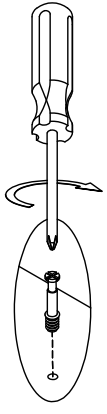
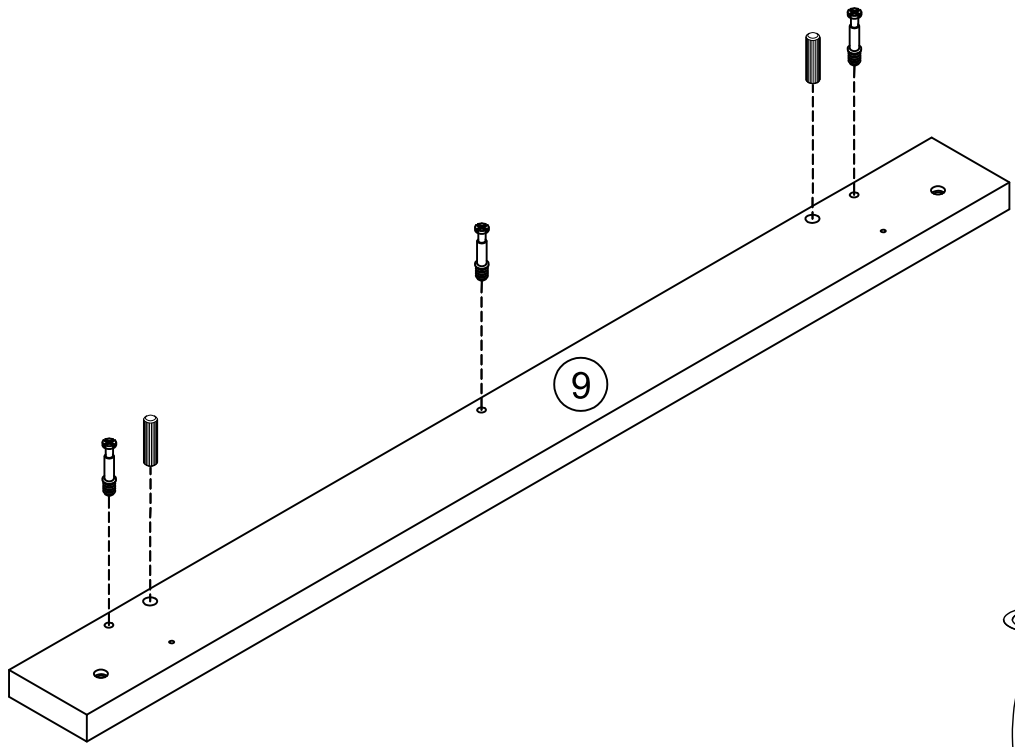
Step 10

A		4
D		4




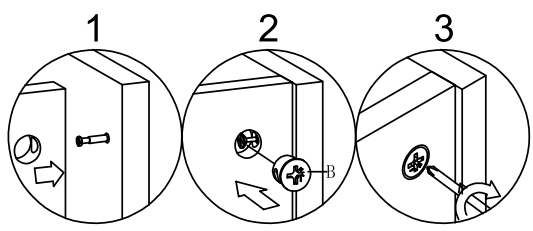
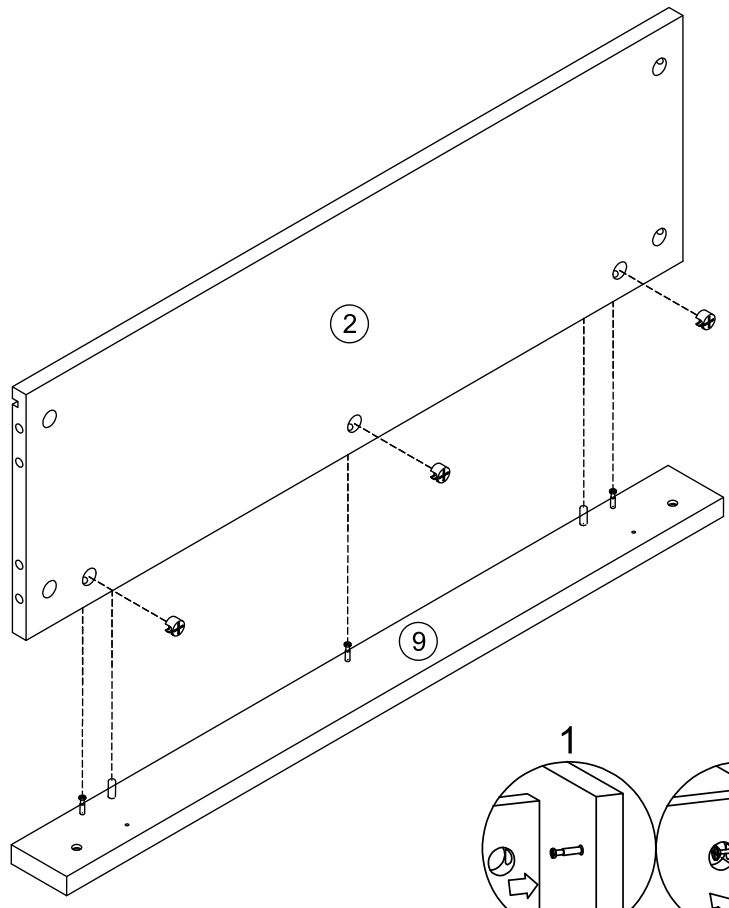
Step 11

A		3
D		2




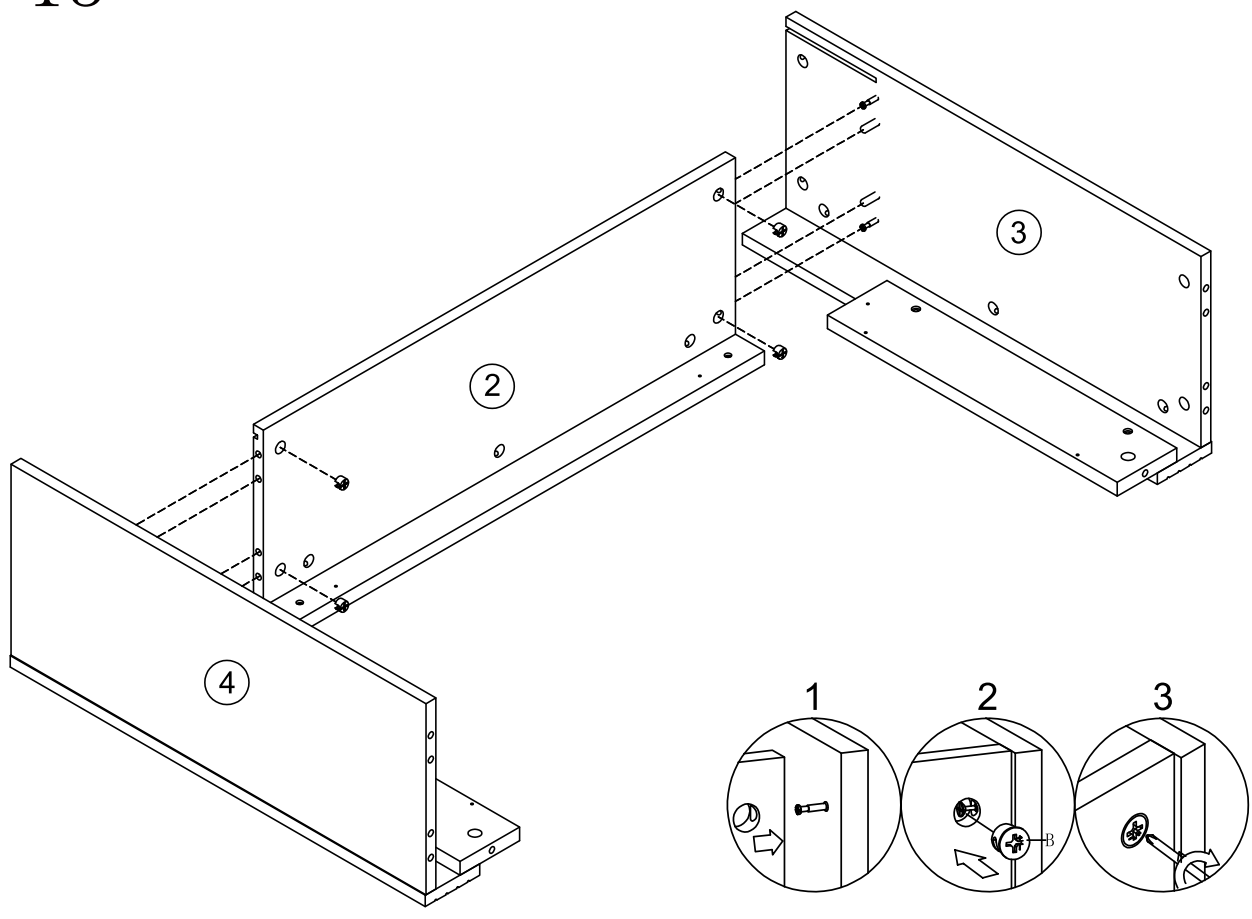
Step 12

B		3
---	---	---






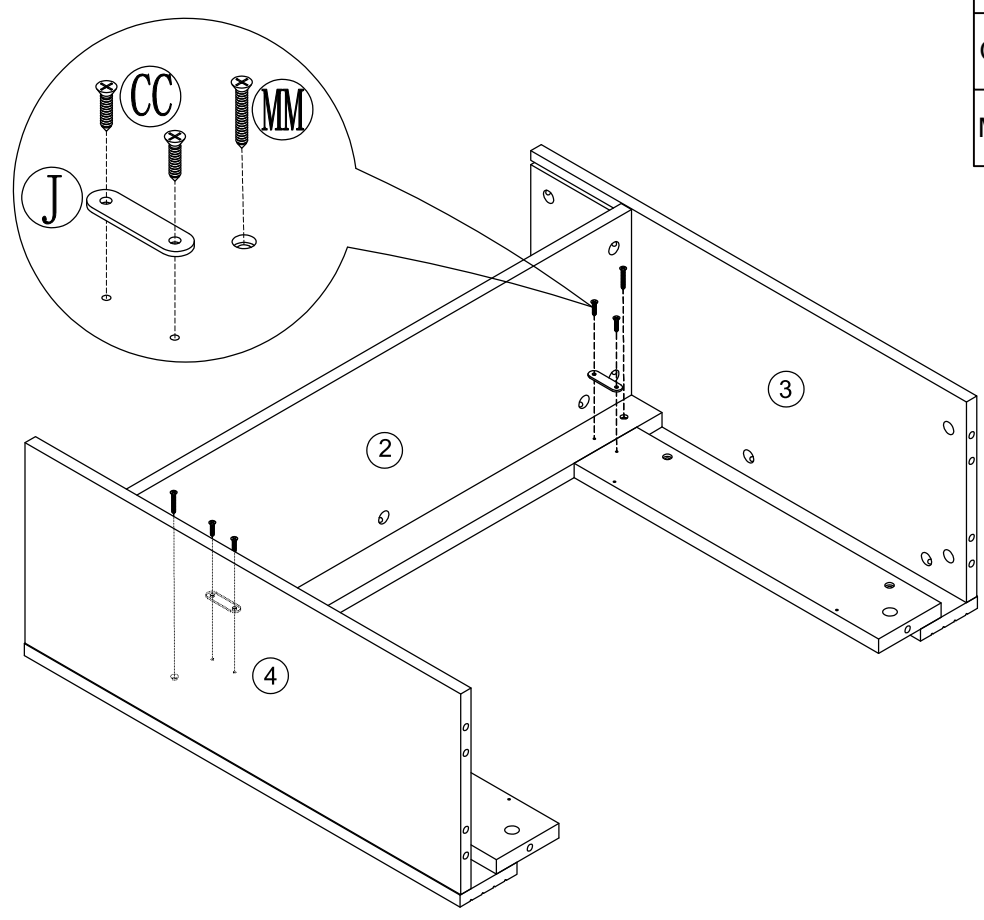
Step 13

B		4
---	--	---





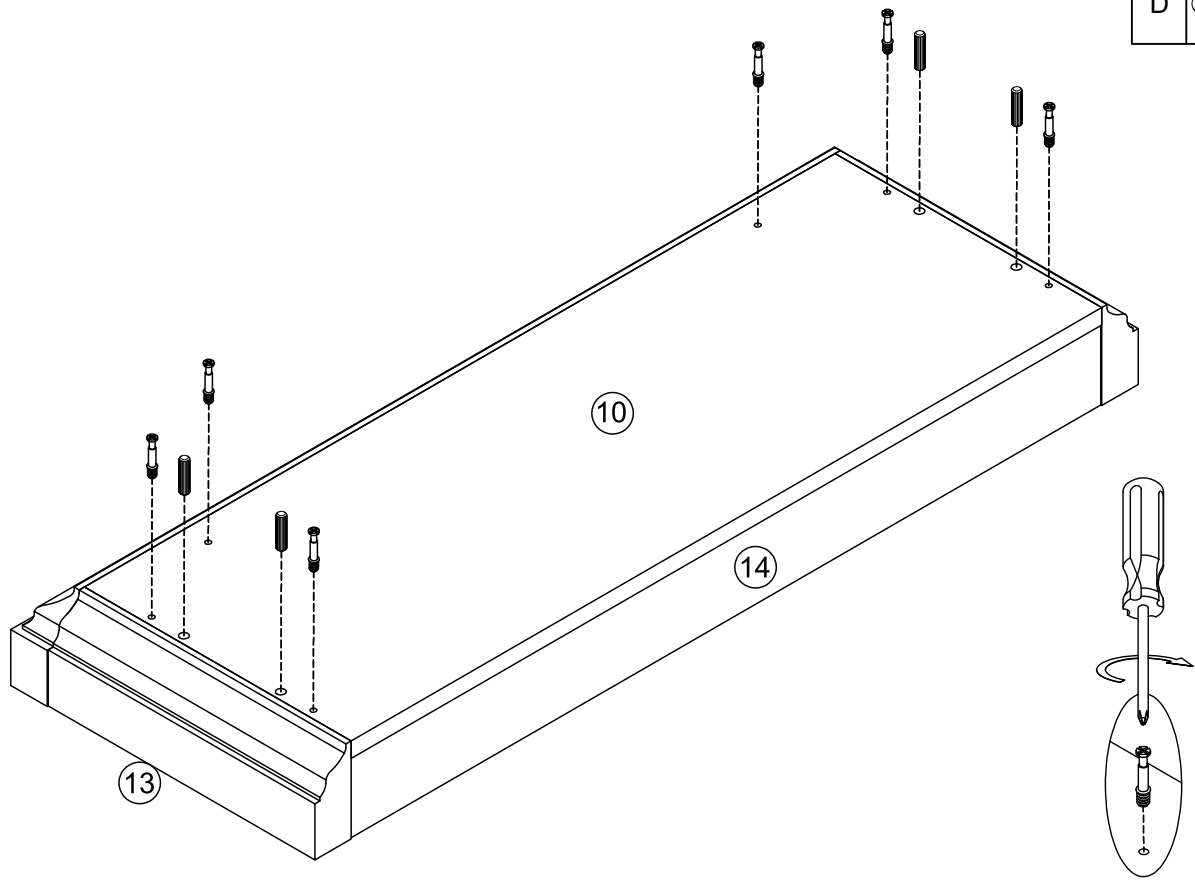
Step 14

J		2
CC		4
MM		2




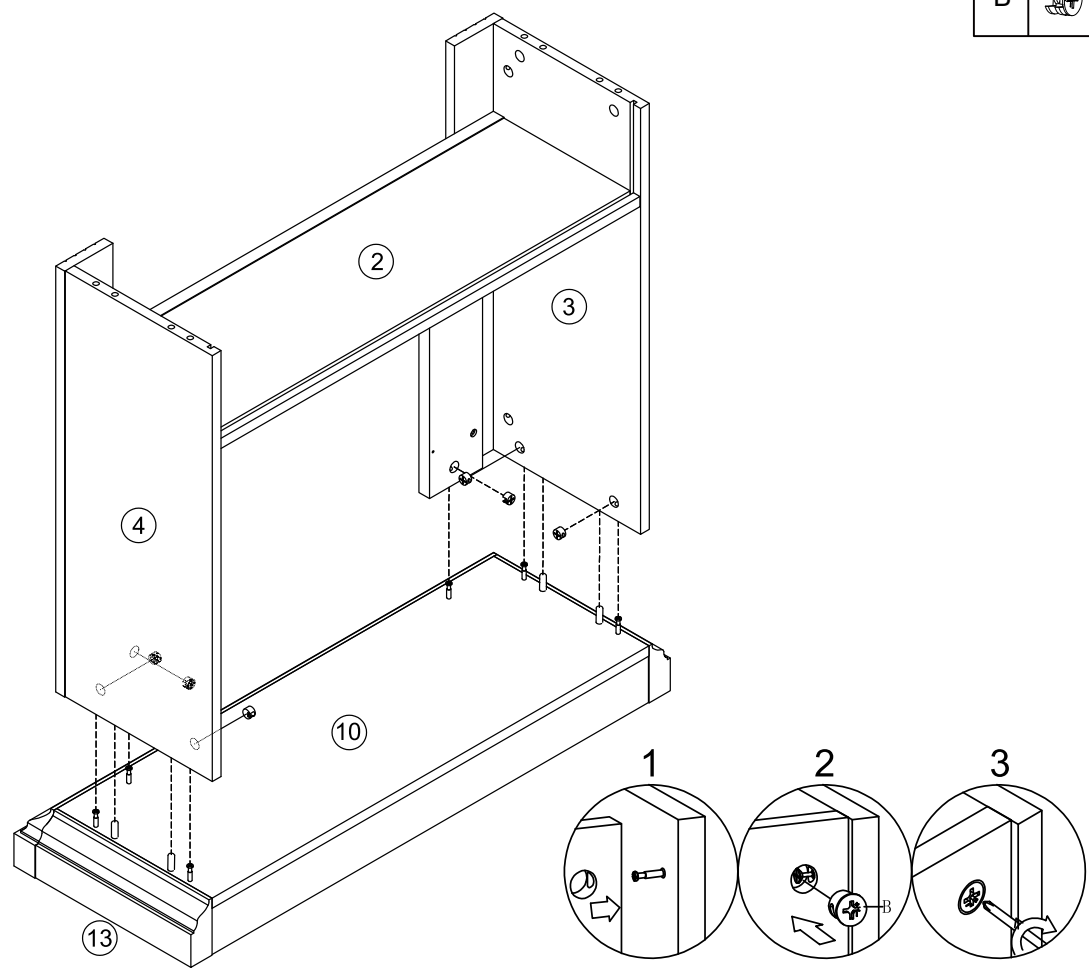
Step 15

A		6
D		4




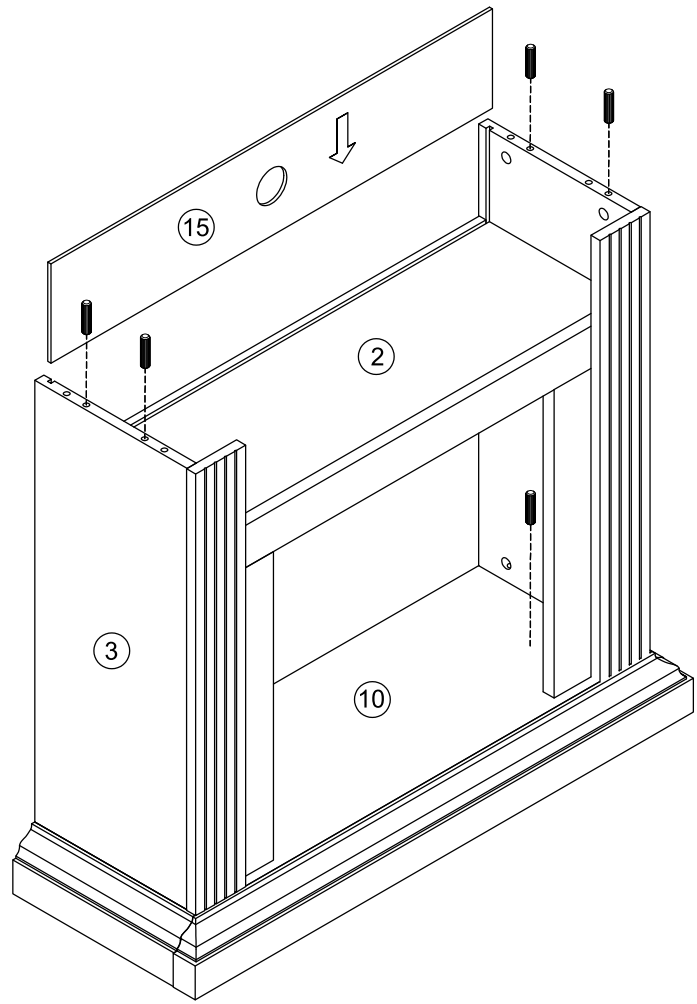
Step 16

B		6
---	---	---

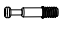


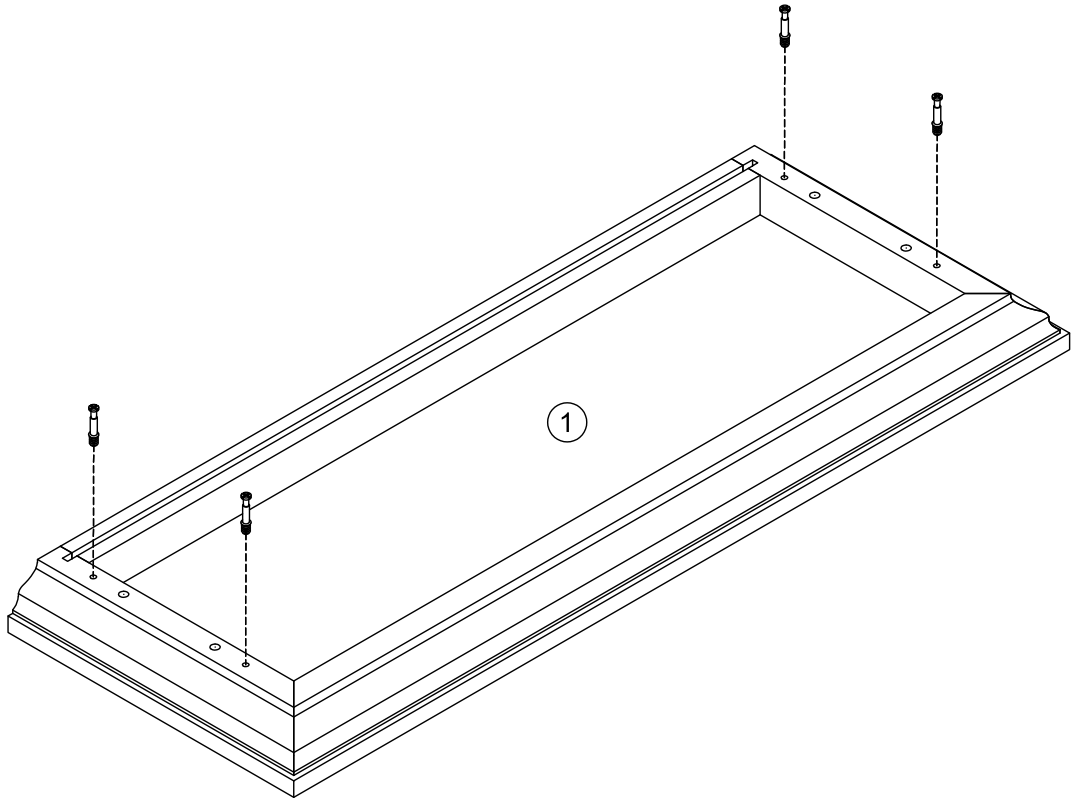
Step 17

D		4
---	--	---



Step 18

A		4
---	---	---

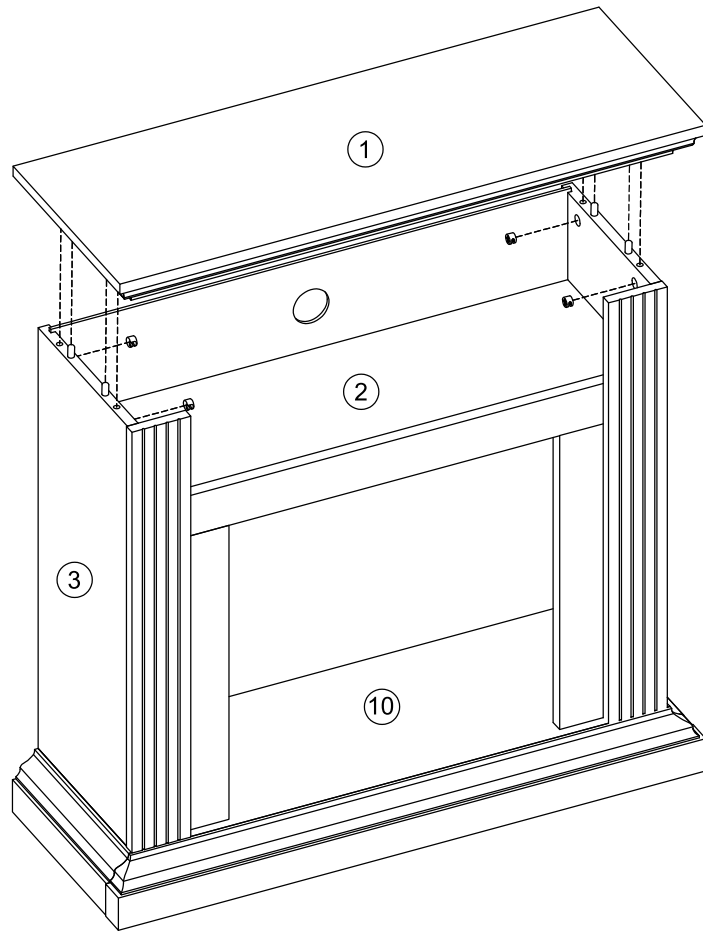


Step 19

B



4

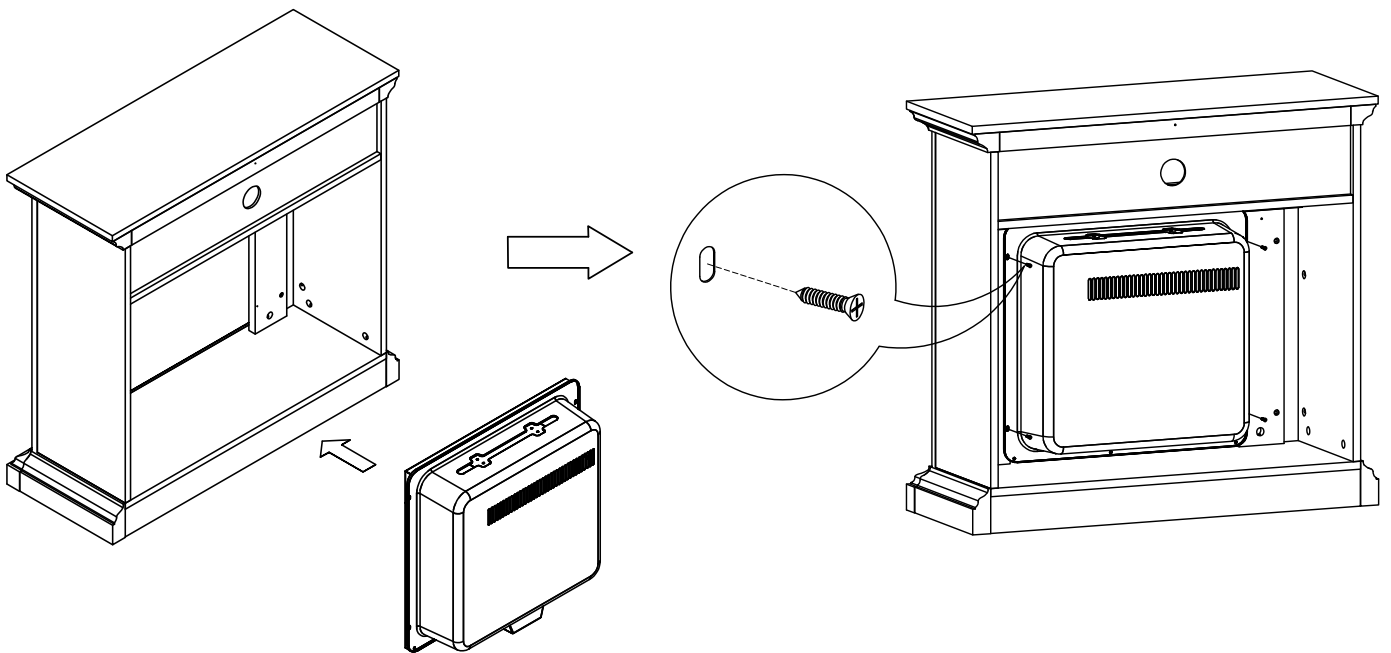


Step 20


B

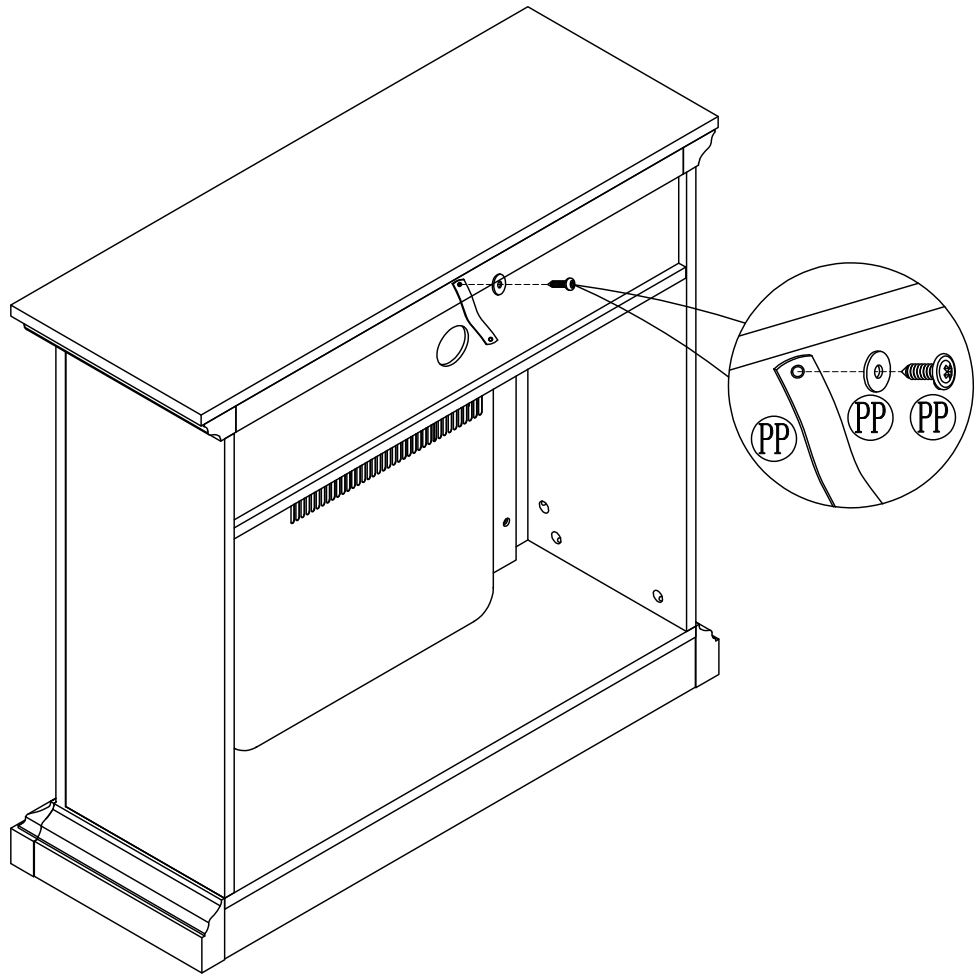


4





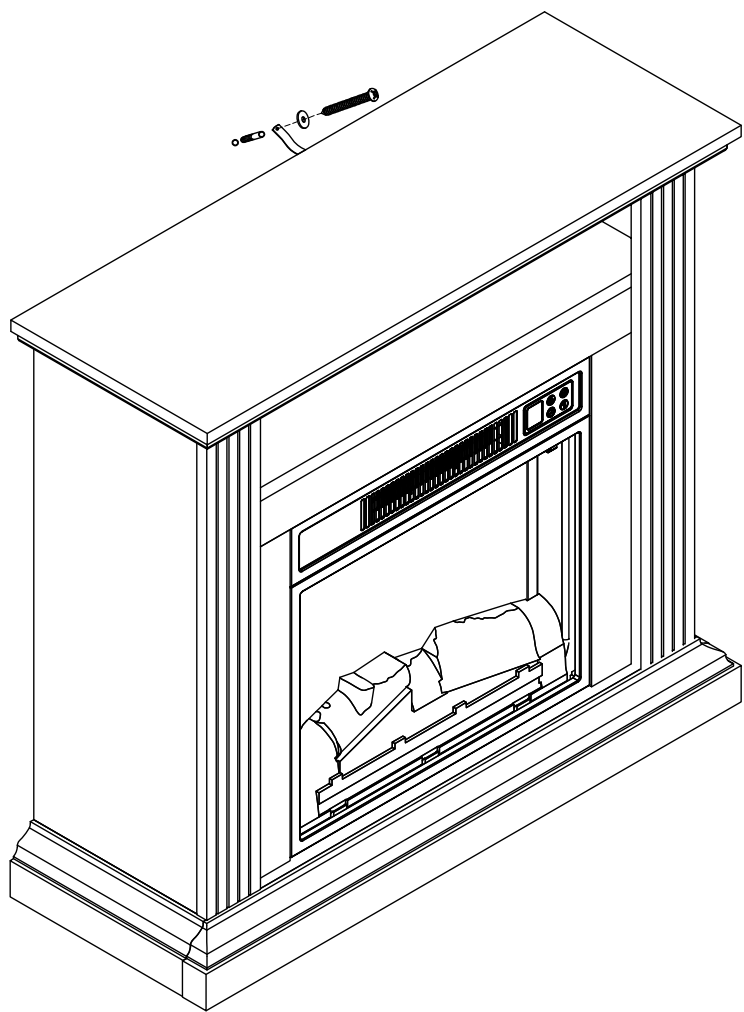
Step 21


PP		1
----	--	---

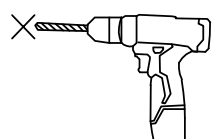


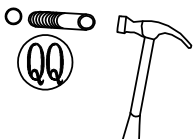
Step 22

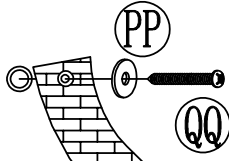
PP		1
QQ		1

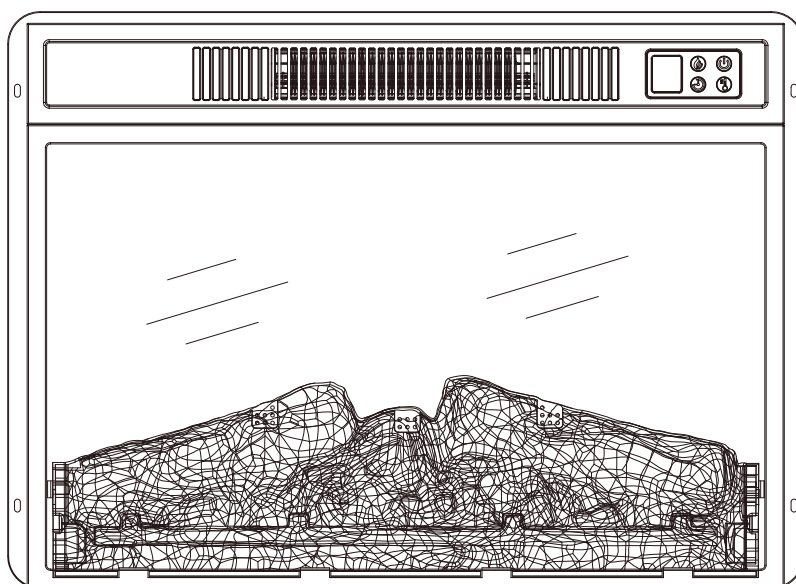












INSTALLER / CONSUMER SAFETY INFORMATION

WARNING

FAILURE TO FOLLOW THE INFORMATION PROVIDED IN THIS MANUAL MAY RESULT IN ELECTRICAL SHOCK OR FIRE, LEADING TO PROPERTY DAMAGE, PERSONAL INJURY OR EVEN LOSS OF LIFE. FOR THE SAFETY OF YOU AND OTHERS, IT IS IMPORTANT TO CAREFULLY READ AND FOLLOW ALL INSTRUCTIONS IN THIS MANUAL.

FOR YOUR SAFETY

Servicing this appliance must be performed by a qualified service agency. FOR THE SAFETY OF YOU AND OTHERS, DO NOT STORE OR USE GASOLINE OR OTHER FLAMMABLE VAPOURS OR LIQUIDS NEAR THIS OR ANY OTHER APPLIANCE. DOING SO MAY RESULT IN A FIRE OR EXPLOSION.

IMPORTANT INSTRUCTIONS

1. Read all instructions before using this appliance. Failure to follow instructions could result in a fire or electric shock – it will also void your warranty.
2. **CAUTION:** Small children must be supervised when any heater is used nearby. Under guided supervision, this appliance can be used by children aged eight years and above, provided they understand the potential risks and hazards. Under guided supervision, this appliance can be used by persons with disabilities or persons without experience, provided they understand the potential risks and hazards.
3. Children from three years and less than eight years, shall only switch on/off the appliance, provided it has been placed in its intended position and they have been given supervision or instruction concerning the use of the appliance, understanding the hazards involved. Small children must not plug in, regulate, clean or maintain this appliance.
4. Keep small children away from this appliance, unless they are continuously supervised.
5. Some parts of this product will become very hot. Do not touch with hands to avoid burns.
6. **WARNING:** Do not cover the heater to avoid overheating.
7. Do not place the heater directly below a socket outlet.
8. **CAUTION:** To avoid hazards caused by the accidental resetting of the thermal cut-out, the appliance must not be supplied through an external switching device, such as a timer, or connected to a circuit that is regularly switched on and off by the utility.
9. To avoid hazards, damaged supply cords must be replaced by the manufacturer, its service agent or similarly qualified persons.
10. Before connecting the appliance, ensure the mains voltage matches the appliance, specified on the rating plate. Also, ensure the outlet is suitably grounded.
11. Do not attempt to repair, disassemble or modify the appliance. The unit does not contain user-serviceable parts.
12. Always unplug the appliance when not in use, or when moving or cleaning it. When unplugging the heater, do not pull the cord as this can cause damage. Instead, grasp the plug firmly and pull it out of the socket.
13. Keep the heater clean. Do not let anything enter the ventilation or exhaust opening – this can cause an electric shock, fire or damage to the heater. Do not use the appliance for anything other than its intended use. This appliance is for domestic indoor use only.
14. There might be a slight odour during the first few minutes of initial use, or after being stored for a long period. This is normal and will quickly disappear.
15. Do not use this heater if the glass is damaged.
16. Do not use extension cords for this heater. The cord could overheat, which is a fire hazard.
17. This fireplace gets hot during use. To avoid burns, do not let bare skin touch the hot surfaces. If provided, use handles when moving this appliance.
18. Keep combustible materials (furniture, pillows, bedding, paper, clothes and curtains) at least three feet from the front and sides of this appliance.
19. The appliance is for indoor use only. It is not to be used in bathrooms, laundry areas or similar locations. Do not use this appliance near bathtubs or other bodies of water.

20. Do not run the cord under carpeting. Do not cover the cord with throw rugs, runners or anything similar. Keep the cord away from congested areas, so it cannot be tripped over.
21. When unplugging the appliance, turn all controls to the 'off' position, then remove the plug from the outlet.
22. This appliance has hot and arching or sparking parts inside. Keep away from gasoline, paint and other flammable liquids.
23. Do not use this appliance as a drying rack for clothing.
24. This electric heater warms up a room quickly, whilst providing a nice aesthetic. It does not need to be a constant or permanent source of heating for the home.
25. To prevent hair, dust and lint from building up, which could block the outlet, clean this appliance regularly.
26. Do not use aerosols or steam cleaners on or around this appliance.
27. This product is to be used in well-insulated spaces.
28. When the inner temperature of this insert reaches $85+2^{\circ}\text{C}$, the insert will automatically turn off. To reset the temperature limiting control, disconnect the power supply by either unplugging the device or turning off the main switch for a minimum of 10 minutes.

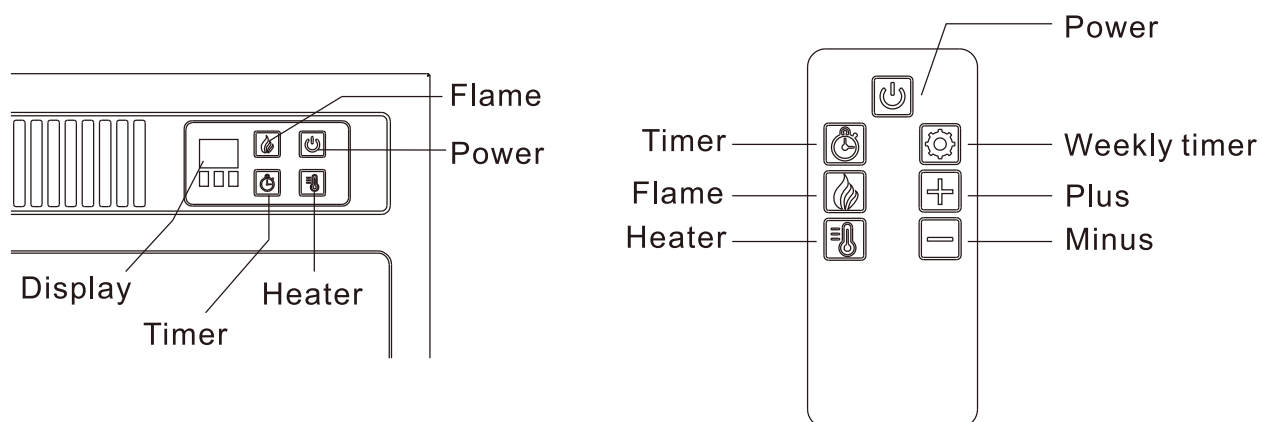
29. KEEP THESE INSTRUCTIONS SAFE

ELECTRIC FIREPLACE SPECIFICATIONS

Voltage	220V~240VAC
Frequency	50Hz
Watts	1800~ 2000 Watts

CONTROL PANEL AND REMOTE CONTROL

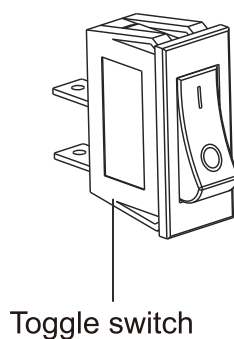
The control panel is on the top right corner of the appliance. When changing a function with the control panel or remote, a corresponding indicator will be displayed. The indicator shows what function has been changed and the level selected. When the function is turned off, the corresponding indicator will fade away.










TOGGLE SWITCH

The toggle switch is at the back of the unit.

NOTE: Before using this fireplace, ensure the toggle switch is set to 'I'. To turn off the unit, set the toggle switch to 'O'.



OPERATING INSTRUCTIONS

	<p>Power: This button will put the appliance on standby, whilst allowing you to view the flame effect through the screen. Pressing the same button again will turn off all functions simultaneously.</p>
	<p>Timer: Press the button repeatedly to cycle through the available options, which include 30 minutes, one hour, two hours, three hours, four hours, five hours, six hours and 'off'. The display will show the corresponding time setting, such as '30' for 30 minutes or '3H' for three hours. Once the timer is set, the fireplace will automatically turn off when the timer reaches zero minutes. The current timer can be seen on the display. 'NONE' indicates that the timer is currently off.</p>
	<p>Flame: This button controls the flame effect, so you can adjust the flame to your desired level of intensity. Press the button to increase or decrease the flame effect. Continue to press it to cycle through the available settings. The brightness levels of the flame are high, medium, low and off. The display will indicate the current setting as L3, L2, L1 or off, respectively.</p>
	<p>Heater: The default temperature is 72 °(22°C). Hold the heater button for five seconds. The display will flash – press the button again to change the temperature. The setting range is between 62-82°F (17-27°C). To change between °F and °C, hold the power button for five seconds when the heater is on. Once set, the display will flash five times.</p>
	<p>Weekly timer: Use the timer button to turn on the weekly timer.</p>
	<p>Plus: Increase the time and temperature during the weekly timer setting.</p>
	<p>Minus: Decrease the time and temperature during the weekly timer setting.</p>

WEEKLY TIMER SETTING OPERATION

1. Press the 'Weekly Timer' button to start the weekly timer setting. The display will show '0', which means no timer has been set yet. If there is already a number displayed, it means the timer has been set previously.
2. Press the 'Weekly Timer' button a second time until the last digit starts flashing. The display will show '1d', which means the weekly timer starts today. You can also set it to start from the second day (2d), third day (3d), fourth day (4d), fifth day (5d), sixth day (6d) or seventh day (7d).
3. Press the 'Weekly Timer' button a third time to set the starting working hours. Use the '+' and '-' buttons to adjust the hour between 0-23.
4. Press the 'Weekly Timer' button a fourth time to set the power-off working hours. Use the '+' and '-' buttons to adjust the hour between 0-23.
5. Press the 'Weekly Timer' button a fifth time to set the desired temperature. Use the '+' and '-' buttons to adjust the temperature between 17-27 °C or to set it 'on/off'.
6. Press the 'Weekly Timer' button a sixth time to move to the next day. The display will show '2d' - the operation method is the same as above.
7. Repeat the above steps for each day of the week. Note: If no button is pressed within 10 seconds during the time setting, the unit will automatically exit the 7-day weekly timer setting.

TROUBLE SHOOTING GUIDE

PROBLEM	POSSIBLE CAUSE AND SUGGESTED SOLUTION
Fire is not switching on.	<ol style="list-style-type: none"> 1. Ensure the mains switch is on. 2. Ensure the unit is plugged into a standard 220-240V outlet. 3. Replace the fuse in the plug.
Logs glow, but the flame effect does not work.	Check to see if the spinning motor is working.
The buttons are in the 'on' position, but the heater does not work.	Turn all buttons to the 'OFF' position and unplug the unit for 10 minutes. After 10 minutes, plug the unit back in – it should operate normally.
The unit makes a lot of noise.	<ol style="list-style-type: none"> 1. There may be a level of noise associated with using this appliance. When the flame effect is in use, the motor is used, which may produce some noise that is noticeable when there is no other background noise. 2. When the heater is in use, there may be a higher level of noise associated with the heater due to the airflow required for heat production.
There is a visible flame effect, but the heater does not blow warm air.	<ol style="list-style-type: none"> 1. Ensure the temperature setting is greater than the room temperature. 2. Press the heater several times, ensuring it is in the 'ON' position.
Remote is not operating	<ol style="list-style-type: none"> 1. Repeatedly pressing buttons in rapid succession may cause the transmitter to malfunction. Use the remote control at a slow and measured pace. Press the remote control buttons gently. 2. Check the batteries and replace them if needed.

Table for information requirements for electric local space heaters

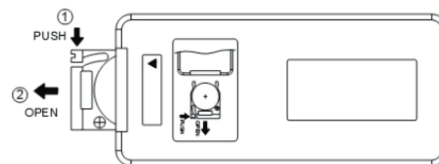
Model identifier(s): 820-440V90BN					
Item	Symbol	Value	Unit	Item	Unit
Heat output			Type of heat input, for electric storage local space heaters only (select one)		
Nominal heat output	P_{nom}	2.0	kW	Manual heat charge control with integrated thermostat	[no]
Minimum heat output (indicative)	P_{min}	N/A	kW	Manual heat charge control with room and/or outdoor temperature feedback	[no]
Maximum continuous heat output	P_{max}	2.0	kW	Electronic heat charge control with room and/or outdoor temperature feedback	[no]
Auxiliary electricity consumption			Fan assisted heat output		
At nominal heat output	el_{max}	N/A	kW	Type of heat output/room temperature control (select one)	
At minimum heat output	el_{min}	N/A	kW	Single stage heat output and no room temperature control	[no]
In standby mode	el_{SB}	0.35	W	Two or more manual stages, no room temperature control	[no]
				With mechanic thermostat room temperature control	[no]
				With electronic room temperature control	[no]
				Electronic room temperature control plus day timer	[no]
				Electronic room temperature control plus week timer	[yes]
				Other control options (multiple selections possible)	
				Room temperature control, with presence detection	[no]
				Room temperature control, with open window detection	[yes]
				With distance control option	[no]
				With adaptive start control	[no]
				With working time limitation	[no]
				With black bulb sensor	[no]
Contact details:					

Remark:

For electric local space heaters, the measured seasonal space heating energy efficiency η_s cannot be worse than the declared value at the nominal heat output of the unit.

BATTERY REPLACEMENT

Batteries are not included in the package due to safety concerns during transport. Batteries can be purchased at any electronics store. The part number for the battery is CR2025. Please follow the sequence below to replace the battery.



If the product is not in use for long periods, remove the battery.

Batteries may contain hazardous substances that could endanger the environment or human health.

Used batteries should not be thrown away with regular household waste. Instead, they should be disposed of properly at designated recycling centres. Recycling used batteries helps protect the environment and human health by preventing harmful chemicals from being released into the ecosystem. Recycling also helps to conserve natural resources by reusing materials.

Check your local municipality, waste disposal service or the store of purchase for more information on proper disposal methods.



SAFETY CUT-OUT SYSTEM

This feature prevents overheating and potential fire hazards. The safety cut-out system activates if the air inlets or outlets of the appliance become obstructed - it will prevent the heater from operating. If the cut-out is activated, the LED display panel will remain operational, but the fan heater will not work.

To reset the safety cut-out, the appliance must be switched off at the wall socket or outlet. Leave the appliance off for 10 minutes, ensuring that any obstructions are removed. After 10 minutes, the appliance can be switched on again at the wall socket, and then turned on at the control switches. If the appliance does not work correctly after this procedure has been followed, check the fuse in the wall outlet. If problems persist, contact an electrician or maintenance engineer.

It is important to follow the safety instruction provided with this product. The safety cut-out system should not be bypassed or tampered with in any way. This can compromise the safety of the appliance and increase the risk of fire hazards.

CLEANING AND MAINTENANCE

UNPLUG THE APPLIANCE BEFORE CLEANING OR MAINTENANCE!

For general cleaning, use a soft duster – never use harsh abrasives or cleaners.

Clean the glass viewing screen with a soft cloth.

If in doubt, contact a qualified electrician.

Only use genuine manufacturer spare parts when repairing your appliance. Using non-genuine parts may result in the appliance not functioning properly or even being dangerous – it can also void your warranty.

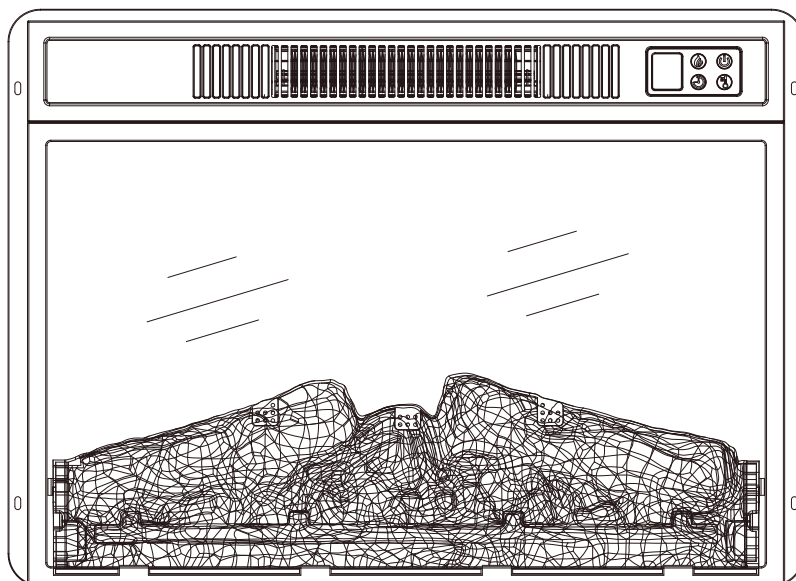
Your supplier should provide you with genuine spare parts or direct you to a trusted retailer.

Replacing the remote control battery:

When the battery becomes weak, the range of the remote control becomes shorter.

Replace the battery with a new CR2025 lithium battery.

NOTE: Keep the lithium battery out of the reach of children.



INFORMAZIONI SULLA SICUREZZA PER INSTALLATORE/ CONSUMATORE

AVVERTENZA

LA MANCATA OSSERVANZA DELLE INFORMAZIONI FORNITE NEL PRESENTE MANUALE PUÒ CAUSARE SCOSSE ELETTRICHE O INCENDI, CON CONSEGUENTI DANNI MATERIALI, LESIONI PERSONALI O ADDIRITTURA DECESSO. PER LA SICUREZZA PERSONALE E DI ALTRE PERSONE, È IMPORTANTE LEGGERE **ATTENTAMENTE E SEGUIRE TUTTE LE ISTRUZIONI CONTENUTE NEL PRESENTE MANUALE.**

PER LA VOSTRA SICUREZZA

La manutenzione di questo apparecchio deve essere eseguita da personale di assistenza qualificato.

PER LA SICUREZZA DELL'UTENTE E DI ALTRI, NON CONSERVARE O UTILIZZARE BENZINA O ALTRI LIQUIDI INFIAMMABILI VICINO A QUESTO O QUALSIASI ALTRO APPARECCHIO. IN CASO CONTRARIO, SI POTREBBE PROVOCARE UN INCENDIO O UN'ESPLOSIONE.

ISTRUZIONI IMPORTANTI

1. Leggere tutte le istruzioni prima di utilizzare questo apparecchio. La mancata osservanza delle istruzioni potrebbe provocare incendi o scosse elettriche e invalidare la garanzia.
2. **ATTENZIONE:** I bambini piccoli devono essere sorvegliati quando viene utilizzato un riscaldatore nelle vicinanze. Sotto la supervisione di un adulto, questo apparecchio può essere utilizzato da bambini di almeno otto anni, purché siano consapevoli dei potenziali rischi e pericoli. Sotto supervisione guidata, questo apparecchio può essere utilizzato da persone con disabilità o persone senza esperienza, a condizione che comprendano i potenziali rischi e pericoli.
3. I bambini di età superiore a tre anni e inferiore a otto anni devono accendere/spegnere l'apparecchio solo se è stato posizionato nella posizione prevista e se sono sottoposti alla supervisione o alle istruzioni per l'uso e hanno compreso i rischi. I bambini piccoli non devono collegare, regolare, pulire o eseguire la manutenzione dell'apparecchio.
4. Tenere i bambini lontani da questo apparecchio, a meno che non siano costantemente sotto la supervisione di un adulto.
5. Alcune parti di questo prodotto diventeranno molto calde. Non toccare con le mani per evitare ustioni.
6. **AVVERTENZA:** Non coprire il riscaldatore per evitare il surriscaldamento.
7. Non posizionare il riscaldatore direttamente sotto una presa di corrente.
8. **ATTENZIONE:** Per evitare pericoli causati dal ripristino accidentale dell'interruttore termico, l'apparecchio non deve essere alimentato attraverso un dispositivo di commutazione esterno, come un timer, o collegato a un circuito che viene regolarmente acceso.
9. Per evitare pericoli, i cavi di alimentazione danneggiati devono essere sostituiti dal produttore, dal proprio personale di assistenza o da persone similmente qualificate.
10. Prima di collegare l'apparecchio, assicuratevi che la tensione di rete corrisponda a quella indicata sulla targhetta dei valori nominali. Inoltre, assicurarsi che l'uscita sia adeguatamente collegata a terra.
11. Non tentare di riparare, smontare o modificare l'apparecchio. L'unità non contiene parti riparabili dall'utente.
12. Scollegare sempre l'apparecchio quando non è in uso, o quando lo si sposta o lo si pulisce. Quando si scollega il riscaldatore, non tirare il cavo per evitare di danneggiarlo. Invece, afferrare saldamente la spina ed estrarla dalla presa.
13. Mantenere il riscaldatore pulito. Non lasciare che nulla entri nell'apertura di ventilazione o di scarico: ciò può causare scosse elettriche, incendi o danni al riscaldatore. Non utilizzare il dispositivo per scopi diversi da quelli previsti. Questo apparecchio è solo per uso domestico interno.
14. Potrebbe essere emesso un leggero odore durante i primi minuti di utilizzo iniziale o dopo un lungo periodo di conservazione. Ciò è normale e scomparirà rapidamente.
15. Non utilizzare questo riscaldatore se il vetro è danneggiato.
16. Non utilizzare prolunghes per questo riscaldatore. Il cavo potrebbe surriscaldarsi, con conseguente rischio di incendio.
17. Questo caminetto si riscalda durante l'uso. Per evitare ustioni, non toccare le superfici calde. Se in dotazione, utilizzare le maniglie quando si sposta l'apparecchio.
18. Tenere i materiali combustibili (mobili, cuscini, biancheria da letto, carta, vestiti e tende) ad almeno tre piedi dalla parte anteriore e laterale di questo apparecchio.

19. L'apparecchio è destinato esclusivamente all'uso in interni. Non deve essere utilizzato in bagni, lavanderie o luoghi simili. Non utilizzare questo apparecchio vicino a vasche da bagno o altri contenitori d'acqua.
20. Non far passare il cavo sotto la moquette. Non coprire il cavo con tappeti, guide o altri oggetti simili. Tenere il cavo lontano da aree di passaggio, in modo che non possa essere da intralcio.
21. Quando si scollega l'apparecchio, ruotare tutti i comandi in posizione "SPEGNERE", quindi rimuovere la spina dalla presa.
22. Questo apparecchio ha parti calde e incandescenti o scintillanti al suo interno. Tenere lontano da benzina, vernice e altri liquidi infiammabili.
23. Non utilizzare questo apparecchio come stendibiancheria per indumenti.
24. Questo riscaldatore elettrico riscalda rapidamente una stanza, disponendo al contempo di un bel design. Non deve essere usato come una fonte costante o permanente di riscaldamento per la casa.
25. Per evitare che si accumulino peli, polvere e pelucchi che potrebbero ostruire la presa, pulire regolarmente l'apparecchio.
26. Non utilizzare aerosol o pulitori a vapore sopra o intorno a questo apparecchio.
27. Questo prodotto deve essere utilizzato in spazi ben isolati.
28. Quando la temperatura interna di questo inserto raggiunge $85+2^{\circ}$ C, l'inserto si spegne automaticamente. Per ripristinare il controllo di limitazione della temperatura, scollegare l'alimentazione elettrica o spegnere il dispositivo, ruotando l'interruttore principale, per un minimo di 10 minuti.

29. CONSERVARE QUESTE ISTRUZIONI AL SICURO

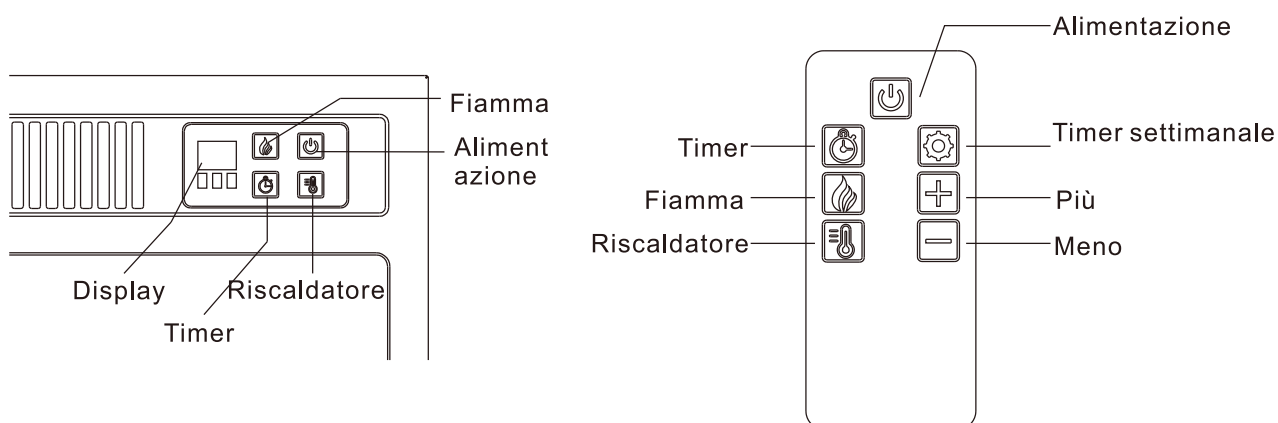
SPECIFICHE DEL CAMINETTO ELETTRICO

Tensione	220V~240VAC
Frequenza	50Hz
Watt	1800~ 2000 Watt

PANNELLO DI CONTROLLO E TELECOMANDO

Il pannello di controllo si trova nell'angolo in alto a destra dell'apparecchio. Quando si modifica una funzione sul pannello di controllo o sul telecomando, verrà visualizzata attraverso l'indicatore corrispondente.

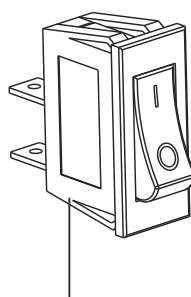
L'indicatore mostra la funzione modificata e il livello selezionato. Quando la funzione viene disattivata, l'indicatore corrispondente si spegne gradualmente.



INTERRUTTORE A BILANCIERE








L'interruttore a bilanciere si trova sul retro dell'unità.

NOTA: Prima di utilizzare questo caminetto, assicurarsi che l'interruttore a bilanciere sia impostato su "I". Per spegnere l'unità, impostare l'interruttore a bilanciere su 'O'.



Interruttore a bilanciere

ISTRUZIONI OPERATIVE

	<p>Alimentazione: Questo pulsante consente di mettere l'apparecchio in standby e di visualizzare l'effetto fiamma sullo schermo. Premendo nuovamente lo stesso pulsante, le funzioni vengono disattivate.</p>
	<p>Timer: Premere ripetutamente il pulsante per scorrere le opzioni disponibili, che includono 30 minuti, un'ora, due ore, tre ore, quattro ore, cinque ore, sei ore e "SPEGNERE". Sul display viene visualizzata l'impostazione dell'ora corrispondente, ad esempio '30' per 30 minuti o '3H' per tre ore. Una volta impostato il timer, il camino si spegnerà automaticamente quando il timer raggiunge zero minuti. Il timer corrente può essere visualizzato sul display. 'NONE' indica che il timer è attualmente spento.</p>
	<p>Fiamma: Questo pulsante controlla l'effetto fiamma, in modo da poter regolare la fiamma al livello di intensità desiderato. Premere il pulsante per aumentare o diminuire l'effetto fiamma. Continuare a premere per scorrere le impostazioni disponibili. I livelli di luminosità della fiamma sono alto, medio, basso e spento. Il display indicherà l'impostazione corrente rispettivamente L3, L2, L 1 oppure Spegnerere.</p>
	<p>Riscaldatore: La temperatura predefinita è di 72°F (22°C). Tenere premuto il pulsante del riscaldatore per cinque secondi. Il display lampeggerà - premere nuovamente il pulsante per modificare la temperatura. L'intervallo di impostazione è compreso tra 62-82 °F (17-27 °C). Per passare da °F a °C, tenere premuto il pulsante di accensione per cinque secondi quando il riscaldatore è acceso. Una volta impostato, il display lampeggerà cinque volte.</p>
	<p>Timer settimanale: Utilizzare il pulsante timer per attivare il timer settimanale.</p>
	<p>Più: Aumenta il tempo e la temperatura durante l'impostazione del timer settimanale.</p>
	<p>Meno: Diminuisce il tempo e la temperatura durante l'impostazione del timer settimanale.</p>

IMPOSTAZIONE DEL TIMER SETTIMANALE

1. Premere il pulsante 'Timer settimanale' per avviare l'impostazione del timer settimanale. Sul display viene visualizzato '0', il che significa che non è stato ancora impostato alcun timer. Se è già visualizzato un numero, significa che il timer è stato impostato in precedenza.
2. Premere il pulsante 'Timer settimanale' una seconda volta fino a quando l'ultima cifra inizia a lampeggiare. Il display mostrerà '1 d', il che significa che il timer settimanale inizia oggi. È inoltre possibile impostare l'avvio dal secondo giorno (2d), terzo giorno (3d), quarto giorno (4d), quinto giorno (5d), sesto giorno (6d) o settimo giorno (7d).
3. Premere una terza volta il pulsante "Timer settimanale" per impostare le ore di lavoro iniziali. Utilizzare i pulsanti '+' e '-' per regolare l'ora tra 0 e 23.
4. Premere il pulsante 'Timer settimanale' una quarta volta per impostare l'orario di lavoro. Utilizzare i pulsanti '+' e '-' per regolare l'ora tra 0 e 23.
5. Premere il pulsante 'Timer settimanale' una quinta volta per impostare la temperatura desiderata. Utilizzare i pulsanti "+" e "-" per regolare la temperatura tra 17-27°C o per impostarla su "on/off".
6. Premere il pulsante 'Timer settimanale' una sesta volta per passare al giorno successivo. Sul display viene visualizzato '2d' - il metodo di funzionamento è lo stesso descritto sopra.
7. Ripetere i passaggi precedenti per ogni giorno della settimana. Nota: Se non viene premuto alcun pulsante entro 10 secondi durante l'impostazione dell'orario, l'unità esce automaticamente dall'impostazione del timer settimanale di 7 giorni.

GUIDA ALLA RISOLUZIONE DEI PROBLEMI

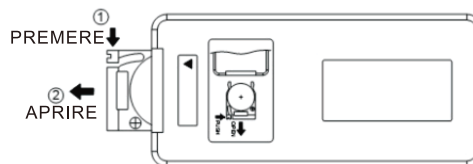
PROBLEMA	POSSIBILE CAUSA E SOLUZIONE SUGGERITA
Il fuoco non si accende.	<ol style="list-style-type: none"> 1. Assicurarsi che l'interruttore di alimentazione sia acceso. 2. Assicurarsi che l'unità sia collegata a una presa standard da 220-240 V. 3. Sostituire il fusibile nella spina.
I tronchi si illuminano, ma l'effetto fiamma non funziona.	Controllare se il motore è in funzione.
I pulsanti sono in posizione 'ACCENDERE', ma il riscaldatore non funziona.	Ruotare tutti i pulsanti in posizione "SPEGNERE" e scollegare l'unità per 10 minuti. Dopo 10 minuti, ricollegare l'unità, che dovrebbe funzionare normalmente.
L'unità è molto rumorosa.	<ol style="list-style-type: none"> 1. L'utilizzo dell'apparecchio produce un certo rumore. Quando l'effetto fiamma è in uso, viene utilizzato il motore, che produce un certo rumore che è percepibile quando non ci sono altri rumori di fondo. 2. Quando il riscaldatore è in uso, potrebbe essere presente un livello di rumore più elevato associato al riscaldatore a causa del flusso d'aria necessario per la produzione di calore.
È presente un effetto fiamma visibile, ma il riscaldatore non emette aria calda.	<ol style="list-style-type: none"> 1. Assicurarsi che la temperatura impostata sia superiore alla temperatura ambiente. 2. Premere più volte il riscaldatore, assicurandosi che sia in posizione "ON".
Il telecomando non funziona	<ol style="list-style-type: none"> 1. La pressione ripetuta di pulsanti in rapida successione può causare il malfunzionamento del trasmettitore. Utilizzare il telecomando premendo i tasti con ritmo lento e misurato. Premere delicatamente i pulsanti del telecomando. 2. Controllare le batterie e sostituirle se necessario.

SOSTITUZIONE DELLA BATTERIA

Le batterie non sono incluse nel pacchetto a causa di misure di sicurezza; le batterie possono essere acquistate in qualsiasi negozio di elettronica.

Il codice della batteria è Cr2025.

Seguire la sequenza riportata di seguito per sostituire la batteria.



Se il prodotto non viene utilizzato per lunghi periodi, rimuovere la batteria.

Le batterie possono contenere sostanze pericolose che potrebbero mettere a repentaglio l'ambiente o la salute umana.

Le batterie usate non devono essere gettate insieme ai normali rifiuti domestici. Devono essere smaltite in modo appropriato presso i centri di riciclaggio designati. Il riciclaggio delle batterie usate aiuta a proteggere l'ambiente e la salute umana impedendo il rilascio di sostanze chimiche nocive nell'ecosistema. Il riciclo aiuta anche a preservare le risorse naturali grazie al riutilizzo dei materiali.

Per ulteriori informazioni sui metodi di smaltimento appropriati, consultare le normative locali, il servizio di smaltimento dei rifiuti o il negozio di acquisto



SISTEMA DI INTERRUZIONE DI SICUREZZA

Questa funzione previene il surriscaldamento e potenziali rischi di incendio. Il sistema di esclusione di sicurezza si attiva se le prese d'aria o le uscite dell'apparecchio si ostruiscono, impedendo il funzionamento del riscaldatore. Se l'interruttore è attivato, il pannello di visualizzazione a LED rimarrà operativo, ma il riscaldatore della ventola non funzionerà.

Per ripristinare l'interruttore di sicurezza, l'apparecchio deve essere scollegato dalla presa di corrente o dalla presa a muro. Lasciare spento l'apparecchio per 10 minuti, assicurandosi che eventuali ostacoli vengano rimossi. Dopo 10 minuti, l'apparecchio può essere ricollegato alla presa a muro e quindi acceso dagli interruttori di controllo. Se l'apparecchio non funziona correttamente dopo aver seguito questa procedura, controllare il fusibile nella presa a muro. Se il problema persiste, contattare un elettricista o un tecnico addetto alla manutenzione.

È importante seguire le istruzioni di sicurezza fornite con questo prodotto. Il sistema di interruzione di sicurezza non deve essere bypassato o manomesso in alcun modo. Ciò può compromettere la sicurezza dell'apparecchio e aumentare il rischio di incendi.

PULIZIA E MANUTENZIONE

SCOLLEGARE L'APPARECCHIO PRIMA DELLA PULIZIA O DELLA MANUTENZIONE!

Per la pulizia generale, utilizzare un panno morbido, non utilizzare mai detersivi o abrasivi aggressivi.

Pulire lo schermo di visualizzazione in vetro con un panno morbido.

In caso di dubbi, contattare un elettricista qualificato.

Per la riparazione dell'apparecchio, utilizzate esclusivamente parti di ricambio originali del produttore. L'uso di parti non originali può causare un funzionamento non corretto dell'apparecchio o addirittura essere pericoloso, nonché invalidare la garanzia.

Il tuo fornitore dovrebbe fornirti ricambi originali o indirizzarti a un rivenditore di fiducia.



Sostituzione della batteria del telecomando:

Quando la batteria si scarica, il raggio d'azione del telecomando si riduce.

Sostituire la batteria con una nuova batteria al litio Cr2025.

NOTA: Tenere la batteria al litio fuori dalla portata dei bambini.

Requisiti d'informazione per gli apparecchi di riscaldamento locali elettrici

Identificatore (i) del modello: 820-440V90BN					
Oggetto	Simbolo	Valore	Unità	Oggetto	Unità
Potenza termica				Questo tipo di ingresso di calore è solo per gli apparecchi di riscaldamento locali per lo stoccaggio elettrico (selezionare uno)	
Potenza termica nominale	P_{nom}	2,0	kW	controllo della carica termica manuale, con termostato integrato	[no]
Potenza termica minima (indicativa)	P_{min}	N/A	kW	controllo manuale della carica termica con risposta sulla temperatura ambiente e / o esterno	[no]
Massima potenza termica continua	$P_{max,c}$	2,0	kW	controllo elettronico della carica termica con risposta sulla temperatura ambiente e / o esterno	[no]
Consumo di energia ausiliaria				potenza termica ventilata	[no]
Alla potenza termica nominale	eI_{max}	N/A	kW	Tipo di potenza termica / controllo della temperatura ambiente (selezionare uno)	
Alla potenza termica minima	eI_{min}	N/A	kW	emissione di calore monostadio e controllo della temperatura ambiente	[no]
In modalità standby	eI_{SB}	0,35	W	Due o più fasi manuali, senza controllo della temperatura ambiente	[no]
				con controllo della temperatura ambiente del termostato meccanico	[no]
				con controllo elettronico della temperatura ambiente	[no]
				controllo elettronico della temperatura ambiente e contaminuti giornaliero	[no]
				controllo elettronico della temperatura ambiente e contaminuti settimanale	[si]
				Altre opzioni di controllo (più selezioni possibili)	
				controllo della temperatura ambiente, con rilevamento di presenza	[no]
				controllo della temperatura ambiente, con rilevamento finestra aperta	[si]
				con opzione di controllo a distanza	[no]
				con comando di avviamento adattivo	[no]
				con limitazione tempo di lavoro	[no]
				con sensore a bulbo nero	[no]
Dettagli del contatto:	IMPORTATO DA/Produttore/REP: AOSOM Italy srl Centro Direzionale Milanofiori Strada 1 Palazzo F1 20057 Assago (MI) P.I.: 08567220960 FATTO IN CINA				
				 0039-0249471447  clienti@aosom.it	
Osservazioni:					
Per gli apparecchi elettrici per il riscaldamento di un ambiente ristretto, l'efficienza energetica stagionale del riscaldamento dell'ambiente η_s misurata non può essere minore del valore dichiarato alla potenza termica nominale dell'unità.					

CONSIGNES IMPORTANTES

1. Lire toutes les instructions avant d'utiliser cet appareil. Le non-respect des consignes peut entraîner un incendie ou une électrocution - il annulera également votre garantie.
2. **ATTENTION** : Les jeunes enfants doivent être surveillés lorsqu'un appareil de chauffage est utilisé à proximité. Sous surveillance, cet appareil peut être utilisé par des enfants âgés de huit ans et plus, à condition qu'ils soient conscients des risques et dangers potentiels. Sous surveillance, cet appareil peut être utilisé par des personnes handicapées ou des personnes sans expérience, à condition qu'elles soient conscientes des risques et dangers potentiels.
3. Les enfants de trois ans à moins de huit ans ne doivent allumer et éteindre l'appareil que si ce dernier se trouve dans la position prévue et que les enfants sont surveillés ou ont reçu des instructions concernant l'utilisation de l'appareil, tout en étant conscients des risques encourus. Les jeunes enfants ne doivent pas brancher, régler, nettoyer ou entretenir cet appareil.
4. Garder les jeunes enfants à l'écart de cet appareil, à moins qu'ils ne soient surveillés en permanence.
5. Certaines parties de l'appareil deviennent très chaudes. Ne pas toucher avec les mains pour éviter les brûlures.
6. **AVERTISSEMENT** : Ne pas couvrir l'appareil pour éviter toute surchauffe.
7. Ne pas installer l'appareil directement en dessous d'une prise de courant.
8. **ATTENTION** : Pour éviter les risques liés au réarmement accidentel du disjoncteur thermique, l'appareil ne doit pas être alimenté par un dispositif de commutation externe, tel qu'une minuterie, ou connecté à un circuit qui est régulièrement mis sous tension et hors tension par l'entreprise de distribution.
9. Pour éviter tout risque, le remplacement des cordons d'alimentation endommagés doit être effectué par le fabricant, son agent de service ou des personnes de qualification similaire.
10. Avant de brancher l'appareil, s'assurer que la tension du réseau correspond à celle de l'appareil, indiquée sur la plaque signalétique. S'assurer également que la prise de courant est correctement mise à la terre.
11. Ne pas essayer de réparer, de démonter ou de modifier l'appareil. L'appareil ne contient pas de pièces réparables par l'utilisateur.
12. Toujours débrancher l'appareil lorsqu'il n'est pas utilisé, ou lorsqu'il est déplacé ou nettoyé. Lorsque vous débranchez l'appareil, ne tirez pas sur le cordon car cela pourrait l'endommager. Saisissez fermement la fiche et retirez-la de la prise.
13. Maintenir l'appareil propre. Ne rien laisser pénétrer dans l'orifice de ventilation ou d'évacuation - cela peut provoquer un choc électrique, un incendie ou endommager l'appareil. Ne pas utiliser l'appareil à d'autres fins que celles pour lesquelles il a été conçu. Cet appareil est destiné à un usage domestique à l'intérieur uniquement.
14. Une légère odeur peut se dégager au cours des premières minutes d'utilisation ou après une longue période de stockage. Ce phénomène est normal et disparaît assez rapidement.
15. Ne pas faire fonctionner l'appareil si la vitre est endommagée.
16. Ne pas se servir de rallonges avec cet appareil de chauffage. Le cordon pourrait surchauffer et constituer un risque d'incendie.
17. Cette cheminée devient chaude pendant son utilisation. Pour éviter les brûlures, ne jamais laisser la peau nue entrer en contact avec les surfaces chaudes. Si l'appareil en est pourvu, utilisez des poignées pour le déplacer.
18. Les matériaux combustibles (meubles, oreillers, literie, papier, vêtements et rideaux) doivent être éloignés d'au moins trois pieds de l'avant et des côtés de l'appareil.

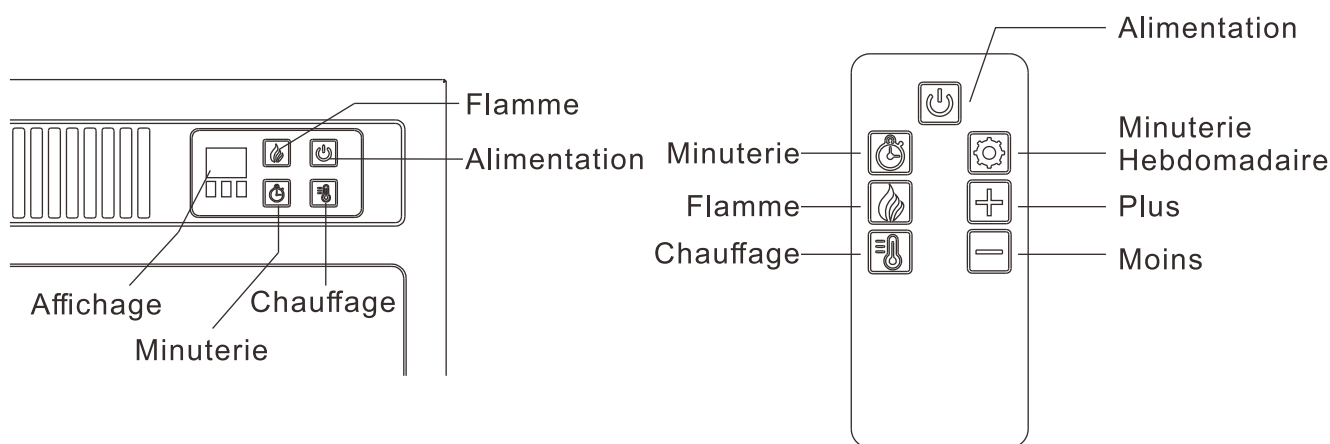
19. L'appareil est réservé à un usage intérieur. Il ne doit pas être utilisé dans les salles de bains, les buanderies ou autres lieux similaires. Ne pas utiliser cet appareil à proximité d'une baignoire ou d'une autre étendue d'eau.
20. Ne pas faire passer le cordon sous la moquette. Ne pas le recouvrir d'un tapis, d'un chemin de table ou de tout autre objet similaire. Garder le cordon à l'écart des zones encombrées, afin qu'il ne soit pas possible de trébucher dessus.
21. Lorsque vous débranchez l'appareil, mettez toutes les commandes en position "arrêt", puis retirez la fiche de la prise de courant.
22. Cet appareil contient des pièces chaudes, qui produisent des arcs ou des étincelles. Tenez-le éloigné de l'essence, de la peinture et d'autres liquides inflammables.
23. Cet appareil ne doit pas servir de séchoir pour les vêtements.
24. Ce radiateur électrique réchauffe rapidement une pièce tout en lui conférant une esthétique agréable. Il n'a pas besoin d'être une source de chauffage constante ou permanente pour la maison.
25. Pour éviter que des cheveux, de la poussière et des peluches ne s'accumulent et n'obstruent la sortie d'air, nettoyez régulièrement cet appareil.
26. Les aérosols et les nettoyeurs à vapeur ne doivent pas être utilisés sur ou autour de l'appareil.
27. Cet appareil doit être utilisé dans des espaces bien isolés.
28. Lorsque la température intérieure de l'insert atteint $85+2^{\circ}\text{C}$, l'insert s'éteint automatiquement. Pour réinitialiser la commande de limitation de la température, coupez l'alimentation électrique en débranchant l'appareil ou en coupant l'interrupteur principal pendant au moins 10 minutes.
- 29. CONSERVER CES CONSIGNES EN TOUTE SÉCURITÉ.**

CARACTÉRISTIQUES DE LA CHEMINÉE ÉLECTRIQUE

Tension	220V-240VAC
Fréquence	50Hz
Puissance	1800-2000 Watts

PANNEAU DE CONTRÔLE ET TÉLÉCOMMANDE

Le panneau de commande se trouve dans le coin supérieur droit de l'appareil. Lorsque vous modifiez une fonction à l'aide du panneau de commande ou de la télécommande, le voyant correspondant s'affiche. Le voyant indique la fonction modifiée et le niveau sélectionné. Lorsque la fonction est désactivée, le voyant correspondant disparaît.

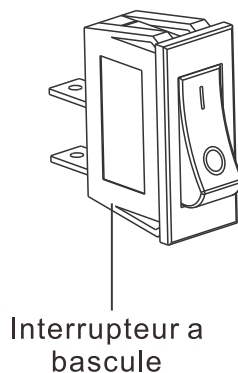


REMARQUE: La télécommande ne peut pas verrouiller/déverrouiller la flamme et la fonction de chauffage. La télécommande ne permet pas de basculer entre les degrés Fahrenheit et Celsius.








INTERRUPTEUR A BASCULE

L'interrupteur à bascule se trouve à l'arrière de l'appareil.

REMARQUE : Avant d'utiliser cette cheminée, assurez-vous que l'interrupteur à bascule est réglé sur "I". Pour éteindre l'appareil, placez l'interrupteur à bascule sur "O".



INSTRUCTIONS D'UTILISATION

	<p>Alimentation :</p> <p>Ce bouton met l'appareil en attente, tout en permettant de voir l'effet des flammes à travers l'écran. Appuyer à nouveau sur cette touche permet d'éteindre toutes les fonctions en même temps.</p>
	<p>Minuterie:</p> <p>Appuyez plusieurs fois sur cette touche pour faire défiler les options disponibles : 30 minutes, une heure, deux heures, trois heures, quatre heures, cinq heures, six heures et "arrêt". L'écran affiche la durée correspondante, par exemple "30" pour 30 minutes ou "3H" pour trois heures. Une fois la minuterie réglée, la cheminée s'éteint automatiquement lorsque la minuterie atteint zéro minute. La minuterie actuelle est affichée à l'écran. La mention 'AUCUNE' indique que la minuterie est actuellement éteinte.</p>
	<p>Flamme :</p> <p>Ce bouton permet de régler l'effet de la flamme, afin d'obtenir l'intensité souhaitée. Appuyez sur le bouton pour augmenter ou diminuer l'effet de la flamme. Continuez d'appuyer sur ce bouton pour passer d'un réglage à l'autre.</p> <p>Les niveaux de luminosité de la flamme sont élevé, moyen, faible et éteint. L'écran affiche le réglage actuel sous la forme L3, L2, L1 ou éteint, respectivement.</p>
	<p>Chauffage :</p> <p>La température par défaut est de 72 °(22 °C).</p> <p>Maintenez le bouton de chauffage enfoncé pendant cinq secondes. Le voyant clignote - appuyez à nouveau sur le bouton pour modifier la température. La plage de réglage est comprise entre 17 et 27 °C (62 et 82 °F). Pour alterner entre °F et °C, maintenez le bouton Alimentation enfoncé pendant cinq secondes lorsque le chauffage est en marche. Une fois le réglage effectué, le voyant clignote cinq fois.</p>
	<p>Minuterie hebdomadaire :</p> <p>Utiliser la touche Minuterie pour activer la Minuterie hebdomadaire.</p>
	<p>Plus :</p> <p>Augmenter la durée et la température pendant le réglage de la minuterie hebdomadaire.</p>
	<p>Moins :</p> <p>Diminuer la durée et la température pendant le réglage de la minuterie hebdomadaire.</p>

RÉGLAGE DE LA MINUTERIE HEBDOMADAIRE

1. Appuyez sur la touche "Minuterie hebdomadaire" pour lancer le réglage de la minuterie hebdomadaire. L'écran affiche "0", ce qui signifie qu'aucun réglage de minuterie n'a encore été effectué. Si un chiffre est déjà affiché, cela signifie que la minuterie a déjà été réglée.
2. Appuyez une seconde fois sur la touche "Minuterie hebdomadaire" jusqu'à ce que le dernier caractère commence à clignoter. L'écran affiche alors "1d", ce qui signifie que la Minuterie hebdomadaire commence aujourd'hui. Vous pouvez également la faire démarrer à partir du deuxième jour (2d), du troisième jour (3d), du quatrième jour (4d), du cinquième jour (5d), du sixième jour (6d) ou du septième jour (7d).
3. Appuyez une troisième fois sur la touche "Minuterie hebdomadaire" pour définir les heures de travail initiales. Utilisez les boutons '+' et '-' pour régler l'heure entre 0 et 23.
4. Appuyez une quatrième fois sur le bouton "Minuterie hebdomadaire" pour définir les heures de travail hors tension.
Utilisez les boutons '+' et '-' pour régler l'heure entre 0 et 23.
5. Appuyez une cinquième fois sur le bouton "Minuterie hebdomadaire" pour régler la température souhaitée. Utilisez les boutons "+" et "-" pour régler la température entre 17 et 27 °C ou pour l'activer/désactiver.
6. Appuyez une sixième fois sur la touche "Minuterie hebdomadaire" pour passer au jour suivant. L'écran affiche "2d" - la méthode de fonctionnement est la même que ci-dessus.
7. Répétez les étapes ci-dessus pour chaque jour de la semaine. Remarque : Si vous n'appuyez sur aucune touche dans les 10 secondes qui suivent le réglage de l'heure, l'appareil quitte automatiquement le réglage de la minuterie hebdomadaire de 7 jours.

FONCTION FENÊTRE OUVERTE (FONCTIONS CACHÉES SUPPLÉMENTAIRES)

L'appareil dispose d'une fonction cachée supplémentaire appelée "Fonction fenêtre ouverte". Lorsque le thermostat est en mode chauffage, si la température ambiante baisse de plus de 3°C en 30 minutes, l'écran affiche '00' et clignote. Cela indique qu'une fenêtre est peut-être ouverte ou qu'il y a d'autres éléments de refroidissement en cours d'utilisation - le régulateur de température arrêtera le chauffage. Pour arrêter le clignotement, vous devez éteindre l'appareil.

GUIDE DE DÉPANNAGE

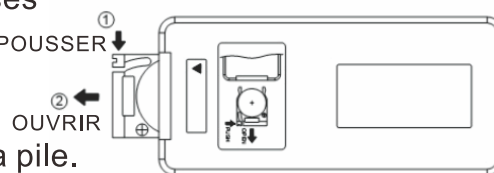
PANNE	CAUSE POSSIBLE ET SOLUTION SUGGÉRÉE
La flamme ne s'allume pas.	<ol style="list-style-type: none"> 1.S'assurer que l'interrupteur principal est enclenché. 2.S'assurer que l'appareil est branché sur une prise standard de 220-240V. 3.Remplacer le fusible de la prise.
Les bûches brillent, mais l'effet de flamme ne fonctionne pas.	Vérifiez que le moteur de rotation fonctionne.
Les boutons sont en position "marche", mais le chauffage ne fonctionne pas.	Mettez tous les boutons en position "OFF" et débranchez l'appareil pendant 10 minutes. Au bout de 10 minutes, rebranchez l'appareil - il devrait fonctionner normalement.
L'appareil produit beaucoup de bruit.	<ol style="list-style-type: none"> 1. L'utilisation de cet appareil peut entraîner un certain niveau de bruit. Le moteur est sollicité lorsque l'effet de flamme est utilisé, ce qui peut produire un certain bruit perceptible en l'absence d'autres bruits de fond. 2. Lorsque le chauffage est utilisé, il peut y avoir un niveau de bruit plus élevé associé au chauffage en raison du flux d'air nécessaire à la production de chaleur.
L'effet de flamme est visible, mais la cheminée ne souffle pas d'air chaud.	<ol style="list-style-type: none"> 1. Assurez-vous que la température réglée est supérieure à la température ambiante. 2. Appuyez plusieurs fois sur le radiateur, en vous assurant qu'il est en position "ON".
La télécommande ne fonctionne pas	<ol style="list-style-type: none"> 1. Le fait d'appuyer de manière répétée et rapide sur les touches peut entraîner un dysfonctionnement de l'émetteur. Utilisez la télécommande à un rythme lent et mesuré. Appuyez doucement sur les touches de la télécommande. 2. Vérifiez les piles et remplacez-les si nécessaire.

REPLACEMENT DES PILES

Pour des raisons de sécurité, les piles ne sont pas incluses dans l'emballage. Les piles peuvent être achetées dans n'importe quel magasin d'électronique.

La référence de la pile est Cr2025.

Veuillez suivre la séquence ci-dessous pour remplacer la pile.



Si le produit doit rester inutilisé pendant une longue période, retirez la batterie.

Les piles peuvent contenir des substances dangereuses susceptibles de mettre en danger l'environnement ou la santé humaine.

Les piles usagées ne doivent pas être jetées avec les ordures ménagères.

Elles doivent au contraire être éliminées de manière appropriée dans des centres de recyclage désignés. Le recyclage des piles usagées contribue à la protection de l'environnement et de la santé humaine en empêchant le rejet de substances chimiques nocives dans l'écosystème. Le recyclage permet également de préserver les ressources naturelles en réutilisant les matériaux.

Pour plus d'informations sur les méthodes d'élimination appropriées, consultez votre municipalité, le service d'élimination des déchets ou le magasin où vous avez acheté votre produit.



SYSTÈME D'ARRÊT DE SÉCURITÉ

Cette fonction permet d'éviter la surchauffe et les risques d'incendie. Le système d'arrêt de sécurité s'active si les entrées ou sorties d'air de l'appareil sont obstruées - il empêche le chauffage de fonctionner. Si le système de sécurité est activé, le panneau d'affichage LED reste opérationnel, mais le radiateur soufflant ne fonctionne pas.

Pour réinitialiser le dispositif de sécurité, l'appareil doit être débranché de la prise murale ou de la prise de courant. Laisser l'appareil reposer pendant 10 minutes, en veillant à ce qu'il ne soit pas obstrué. Après 10 minutes, l'appareil peut être rallumé sur la prise murale, puis sur les interrupteurs de commande. Si l'appareil ne fonctionne pas correctement après cette procédure, vérifiez le fusible de la prise murale. Si le problème persiste, contactez un électricien ou un technicien d'entretien.

Il est important de respecter les consignes de sécurité fournies avec ce produit. Le système de coupure de sécurité ne doit pas être contourné ou modifié de quelque manière que ce soit. Cela peut compromettre la sécurité de l'appareil et augmenter les risques d'incendie.

NETTOYAGE ET MAINTENANCE

DÉBRANCHEZ L'APPAREIL AVANT DE LE NETTOYER OU DE PROCÉDER À SON ENTRETIEN !

Le nettoyage général s'effectue à l'aide d'un chiffon doux - ne jamais utiliser de produits abrasifs ou de nettoyants agressifs. Nettoyer l'écran de visualisation en verre à l'aide d'un chiffon doux.

En cas de doute, contactez un électricien qualifié.

N'utilisez que des pièces de rechange d'origine pour réparer votre appareil. L'utilisation de pièces non authentiques peut entraîner un mauvais fonctionnement de l'appareil, voire le rendre dangereux, et peut également annuler votre garantie.



Votre fournisseur doit vous fournir des pièces de rechange d'origine ou vous orienter vers un revendeur de confiance.

Remplacement de la pile de la télécommande :

Lorsque la pile devient faible, la portée de la télécommande diminue. Remplacez la pile par une nouvelle pile au lithium Cr2025.

REMARQUE : Conservez la pile lithium hors de portée des enfants.

Tableau des exigences en matière d'information pour les appareils de chauffage décentralisés électriques

Identificateur(s) du modèle : 820-440V90BN					
Article	Symbole	Valeur	Unité	Article	Unité
Production de chaleur				Type d'apport de chaleur, uniquement pour les appareils de chauffage locaux à accumulation électrique (sélectionnez-en un)	
Puissance calorifique nominale	P_{nom}	2,0	kW	Contrôle manuel de la charge thermique avec thermostat intégré	[non]
Puissance calorifique minimale (à titre indicatif)	P_{min}	N/A	kW	Contrôle manuel de la charge thermique avec rétroaction de la température ambiante et / ou extérieure	[non]
Puissance thermique continue maximale	P_{max}	2,0	kW	Contrôle électronique de la charge thermique avec rétroaction de la température ambiante et / ou extérieure	[non]
Consommation d'électricité auxiliaire				Sortie de chaleur assistée par ventilateur	[non]
À la puissance calorifique nominale	eI_{max}	N/A	kW	Type de contrôle de la puissance thermique/de la température ambiante (sélectionnez-en un)	
Au minimum de puissance thermique	eI_{min}	N/A	kW	Sortie de chaleur à un étage et pas de contrôle de la température ambiante	[non]
En mode veille	eI_{SB}	0,35	W	Deux étapes manuelles ou plus, pas de contrôle de la température ambiante	[non]
				Contrôle de la température ambiante avec thermostat mécanique	[oui]
				Avec contrôle électronique de la température ambiante	[non]
				Contrôle électronique de la température ambiante et minuterie	[non]
				Contrôle électronique de la température ambiante plus minuterie hebdomadaire	[oui]
				Autres options de contrôle (sélections multiples possibles)	
				Contrôle de la température ambiante, avec détection de présence	[oui]
				Contrôle de la température ambiante, avec détection de fenêtre ouverte	[oui]
				Avec option de commande à distance	[non]
				Avec contrôle de démarrage adaptatif	[non]
				Avec limitation du temps de fonctionnement	[non]
				Avec capteur d'ampoule noire	[non]
Coordonnées:	Importé par/Fabricant/REP: MH France 2, rue Maurice Hartmann 92130 Issy-les-Moulineaux France Fabriqué en Chine				
				 0033-1-84166106  aosom@mhfrance.fr	

Note:

Pour les appareils de chauffage décentralisés électriques, l'efficacité énergétique saisonnière mesurée en matière de chauffage des locaux ne peut être inférieure à la valeur déclarée à la puissance calorifique nominale de l'unité.

