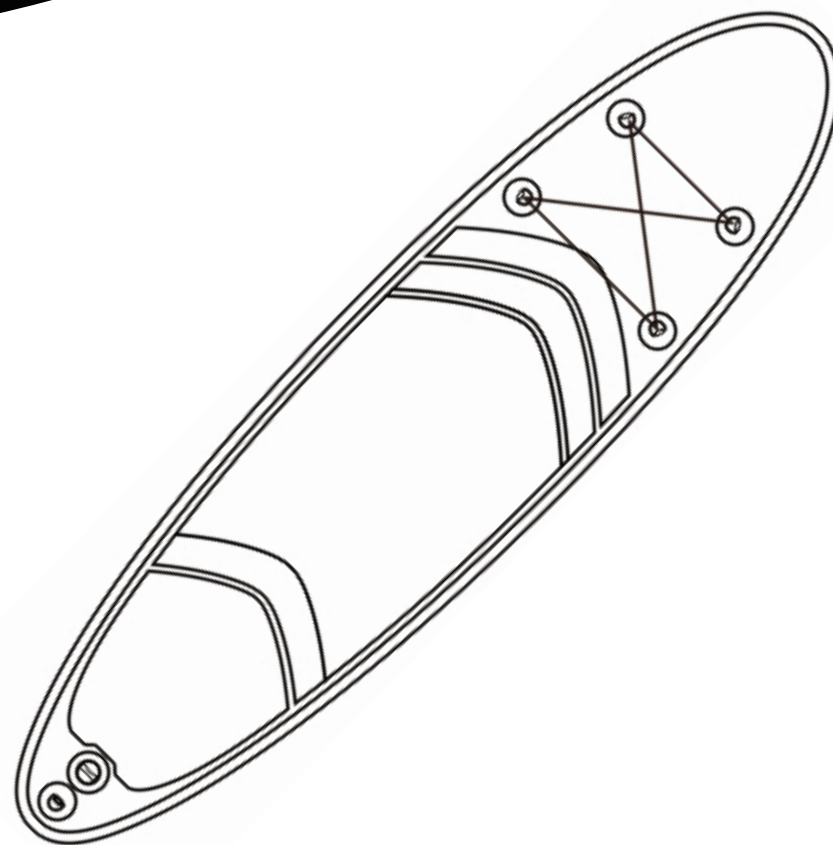




INaab029V02_UK

A33-014



IMPORTANT, RETAIN FOR FUTURE REFERENCE: READ CAREFULLY

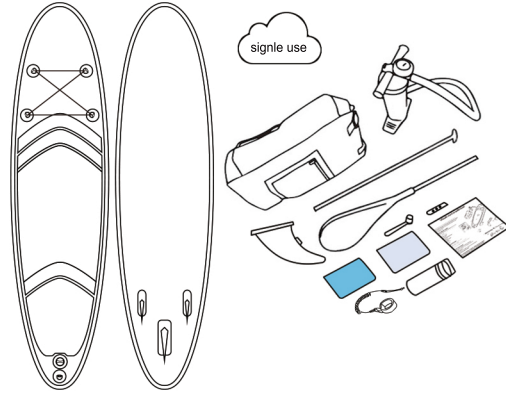
ASSEMBLY INSTRUCTION

iSUP User Manual

1.Packing List

Package Includes:

- A. Inflatable SUP x 1;
- B. Adjustable sup paddle x 1;
- C. Removable center fin x 1;
- D. High pressure dual-action pump x 1;
- E. Repair kit(PVC + glue + wrench) x 1;
- F. Backpack x 1;
- G. User Manual x 1;
- H. Coil leash x 1.

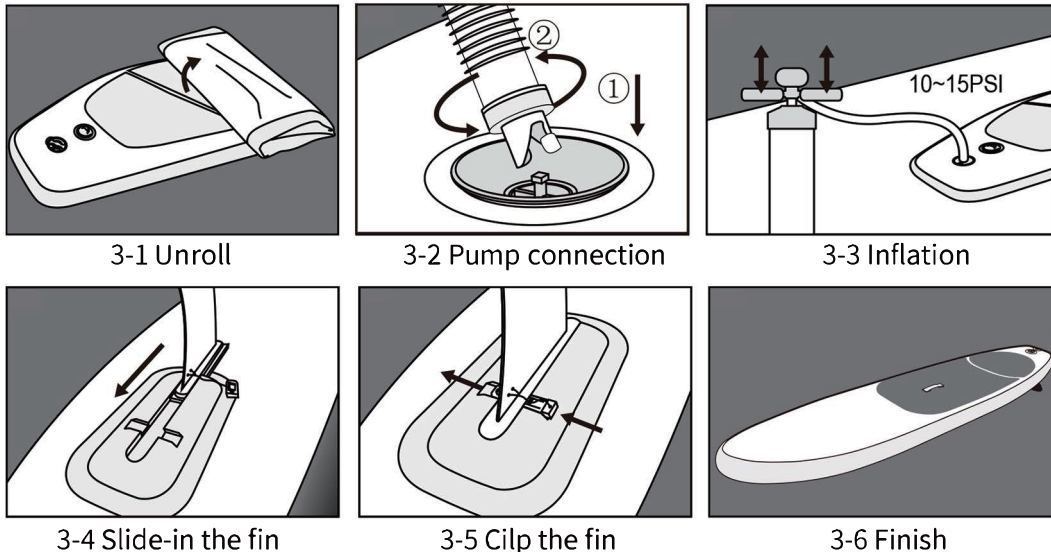


2.Warm Reminder

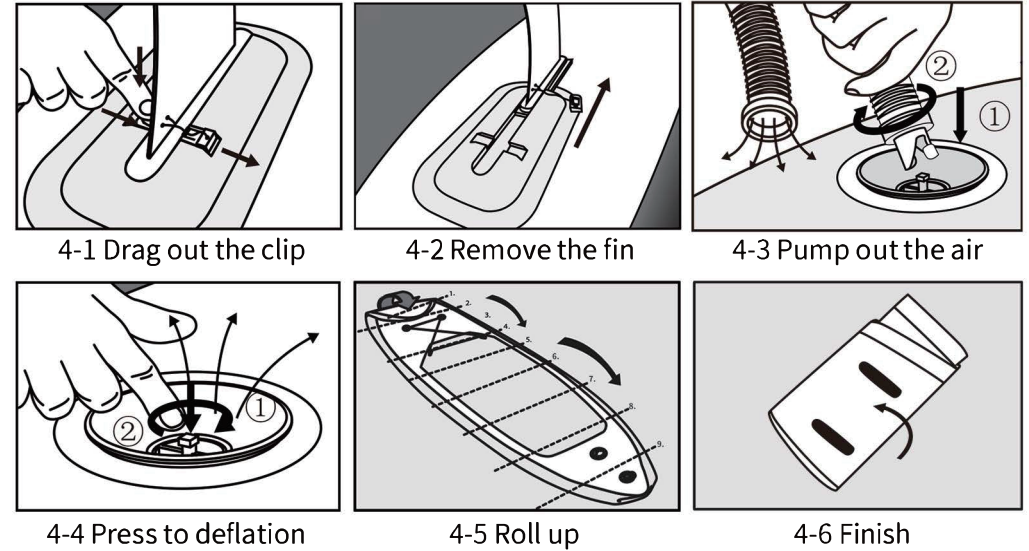
A long-lasting iSUP needs your careful care, tips below worth your attention:

- ⚠️ 1. PSI <= 15 PSI (Pls pay more attention to the pressure when using mechanical pump do not over-inflate).
- ⚠️ 2. Pump using instruction: Pls try pump according to test video before use, the side marked with "OUT" is for inflation (only when the pressure reaches to certain amount of PSI will the pressure gauge perceive it and push the pointer to move/spin, normally 5 PSI).
- ⚠️ 3. Avoid long time constant overexposure to the merciless sun to prevent the sup board from warping
- ⚠️ 4. Trim your dog's nails or put a traction pad on if he stands in front of the iSUP paddle board to avoid scratches.
- ⚠️ 5. Storage: rinse your board with fresh water, dry completely, fin off, store deflated and leave the sun

3.Inflation & Fin Installation



4.Deflation & Fin Removal



5.Valve & Fin Introduction

The plastic nib in lower position is for deflation, keep in the upper position is for inflation as well as avoid air leak, pls see the diagrammatic illustration on the right.

Cases need your attention:

1. When there is air-leak from the valve or if the air can not be inflated into the iSUP, pls check the position of the plastic nib first, keep it in the upper position. If it's ok, pls follow case 2.
2. The valve may sometimes loosen, pls use the wrench to tighten it.
3. If the valve, you can also use the wrench to replace it.

See details from below diagram.

