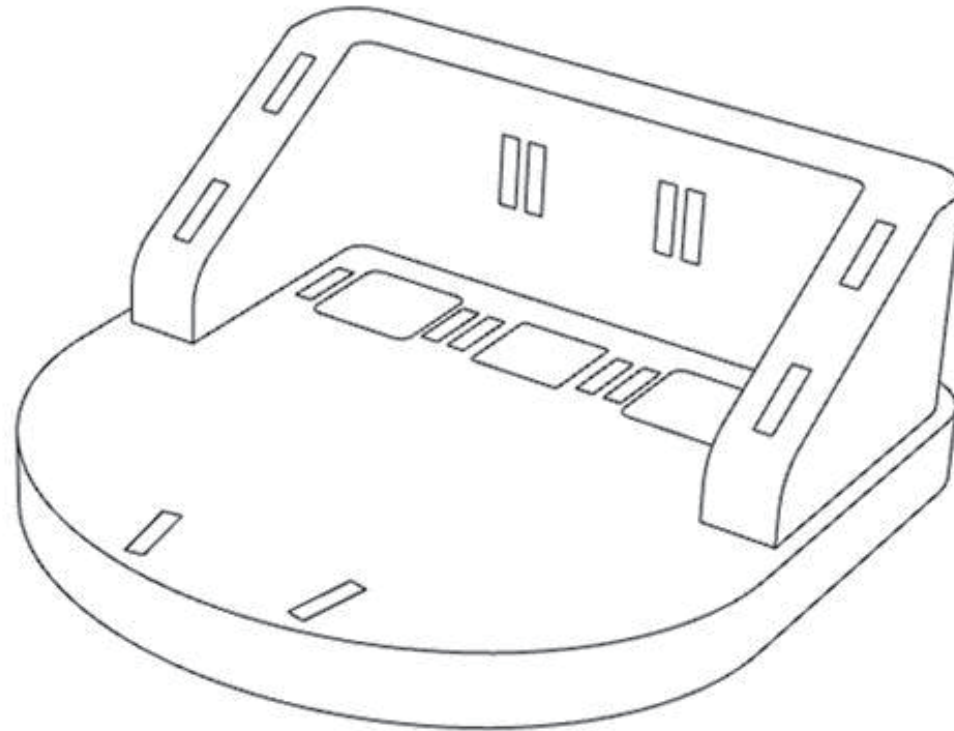




INaab041\_US

**A34-011**



**\*This product is subject to the actual product, the picture is only for reference\***  
**IMPORTANT, RETAIN FOR FUTURE REFERENCE: READ CAREFULLY**

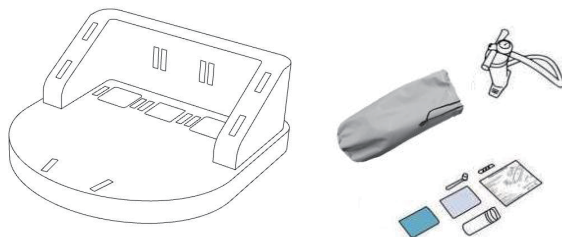
# ASSEMBLY INSTRUCTION

# Towables User Manual

## 1. Packing List

### Package Includes:

- Towables x 1;
- High pressure dual-action pump x 1;
- Repair kit(PVC + glue + wrench) x 1;
- Backpackx1;
- UserManualx 1;



## 2. Warm Reminder

A long-lasting Towables needs your careful care, tips below worth your attention:

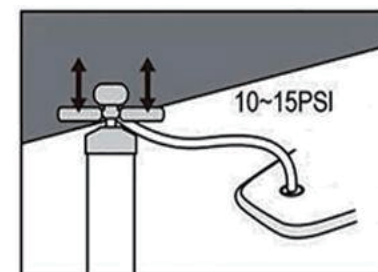
01. PSI <= 15 PSI ( Pls pay more attention to the pressure when using mechanical pump do not over-inflate).
- 02..Pump using instruction: Pls try pump according to test video before use, the side marked with "out" is for inflation (only when the pressure reaches to certain amount of PSI will the pressure gauge perceive it and push the pointer to move spin, normally 5 PSI).
03. Avoid long time constant overexposure to the merciless sun
04. Trim your dog's nails or put a traction pad on if he stands in front of the Towables to avoid scratches.
05. Storage: rinse your board with fresh water.dry completely,store deflated and leave the sun.

- Designed for 2-3 rider, best tube for boating. Family/friends will love it!
- [Durable Material] Heavy gauge PVC bladder is completely covered with a double-stitched nylon cover
- [Safety Valve] Easy and fast to inflate and deflate. Double seal design on the air valve can prevent air leakage efficiently.
- [Handles] Multiple handles provide stability
- [Front & Back] - Two Tow Points offer multiple riding positions. It can be towed forwards or backwards.
- Featuring EVA foam body pads to protect riders from abrasion.
- Large & stable ride. Can also be used as a floating lounge!
- Composed of 2 air chambers to ensure safety, Valve is on the back

## 3. Valve Introduction



Pump connection



Inflation

## 3. Valve & Fin Introduction

The plastic nib in lower position is for deflation, keep in the upper position is for inflation as well as avoid air-leak, pls see the diagrammatic illustration on the right

Cases need your attention:

1. When there is air-leak from the valve or if the air can not be inflated into the Towables, pls check the position of the plastic nib first, keep it in the upper position. If it's ok, pls follow case 2.
2. The valve may sometimes loosen, pls use the wrench to tighten it
3. If the valve, you can also use the wrench to replace it

See details from below diagram.

