



INabb023V01\_UK

**AA1-103V00**



\*Max weight: 100 kg.

\*Wear personal protective equipment



IMPORTANT, RETAIN FOR FUTURE REFERENCE: READ CAREFULLY

# ASSEMBLY INSTRUCTION

## **WARNING:**

1. Observe all applicable traffic rules and regulations regarding the use of scooters in your country.
2. Please ride on a flat and clean surface. Never use near steps, sloped driveways, hills roadways, alleys, swimming pool areas, road, on grass or wet surfaces or other bodies of water.
3. Only one person may use this scooter at any given time.
4. For your own safety, always wear suitable protective equipment. Never ride without helmet, hand and wrist protection, elbow protection, and knee protection.
5. Check the steering system is correctly adjusted and that all connection components are firmly secured and not broken. Check all connectors or fasteners for integrity and stability (e.g. the folding mechanism and the correct height of the handlebar).
6. Always wear suitable shoes (never ride without shoes or with sandals or shoes that do not allow for firm, secure stance).
7. Do not ride during darkness and/or under conditions of poor visibility.
8. This scooter is not suitable for performing jumps or stunts.

## **MAINTENANCE & CARE**

- A. Keep all instructions and parts relating to this product for future reference.
- B. Regularly check for damage and that all screws are securely tightened.
- C. Check that the seat is securely fastened.
- D. Lubricate the chain as often as required.
- E. Clean your Scooter and wheels with a clean damp cloth.

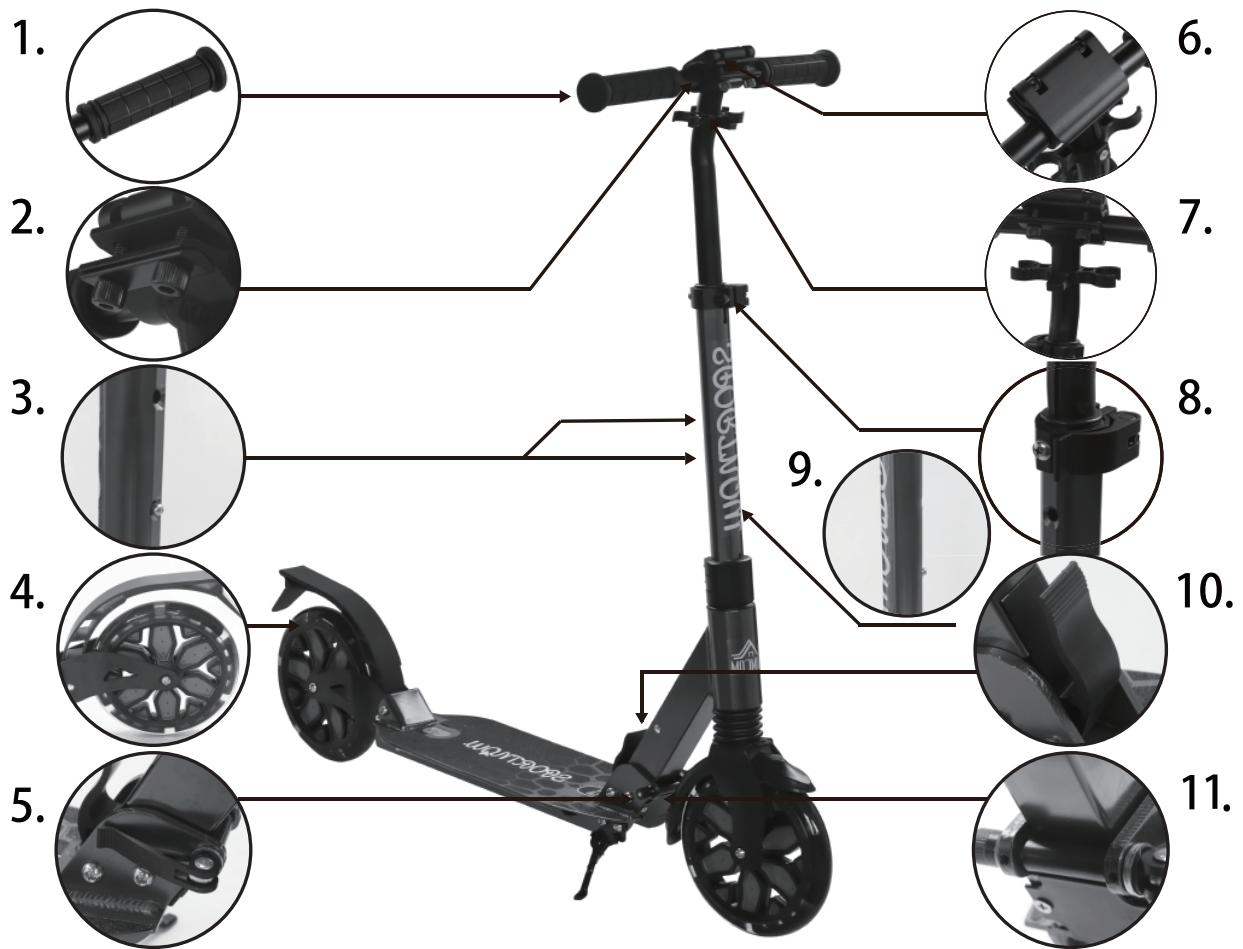
## **RECOMMENDATIONS FOR USE**

Before each use, check that your scooter is correctly assembled: there must be a "click" at each moment of engagement in the vertical locking position of the steering column, and rapid tightening of the steering column and of the folding mechanism.

Please note: the brake may become hot during use. Do not touch it after use.

## **CONTENTS**

- 1 X Scooter
- 1 X Instruction manual
- 1 X Tool Kts



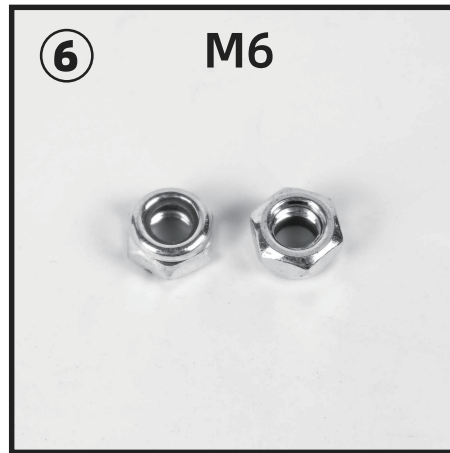
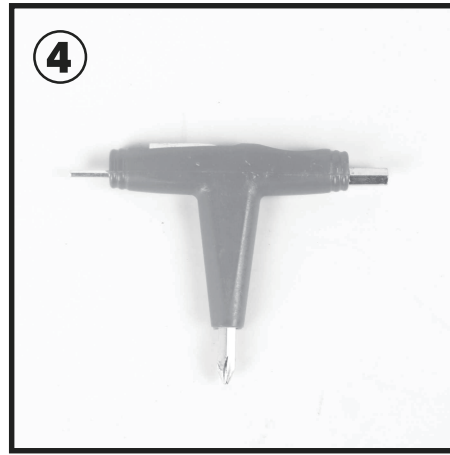
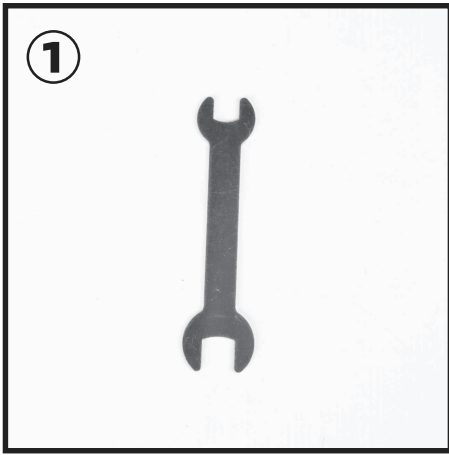
Your scooter is easy to handle and practical and can be used anywhere: fold it and store it in the blink of an eye.

It is quick and green: you will help to protect the environment without wasting any time.

You have chosen tomorrow's mode of transport - thank you for choosing OUR SCOOTER.

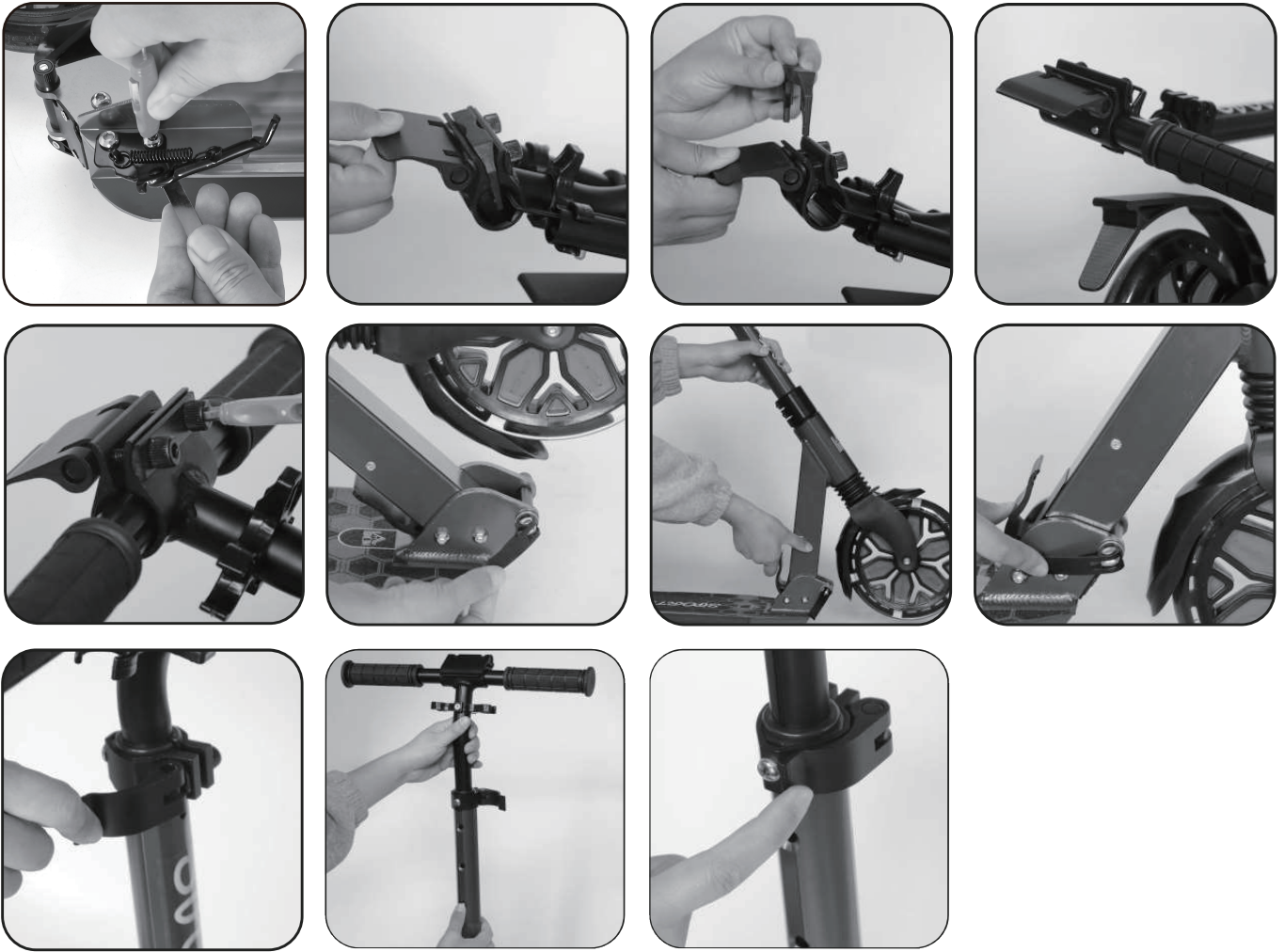
1. Handles
2. Rapid tightening lever for handles
3. Steering column spring button
4. Brake/Mudguard
5. Locking lever for folding mechanism
6. Handle spring button
7. Handlebar stem
8. Rapid tightening lever for steering column
9. Steering column
10. Folding mechanism
11. Rapid tightening lever for folding mechanism

Please take note of the following assembly instructions to avoid all risk of accidents linked to the folding and unfolding operations of your scooter (for example: getting your finger stuck).





# ASSEMBLY



## **Scooter assembly**

### ***A - Unfolding the steering column***

Open the rapid tightening lever (11), then push the locking lever forward (5) to unlock the folding mechanism (10). Then lift up the steering column (9) until it reaches the vertical locking position (you should hear a "click" of engagement), then firmly tighten the rapid tightening lever (11).

### ***B - Positioning the handles***

Take the two handles (1) out of their plastic cover, insert them into the right and left parts of the stem(7).

For each of the two handles, you should hear a "click", indicating that the handles are engaged (1). Check that the two spring buttons (6) are effectively out and visible.

The scooter with suspension, open the handle quick-release lever (2) and follow the instructions below before tightening it firmly.

### ***C. Adjusting the handlebar height***

Open the steering column rapid tightening lever (8), adjust the height of the handlebars until you hear a "click", indicating engagement in one of the two indexed positions, then firmly tighten the steering column rapid tightening lever (8).

## FOLDING



### Folding the scooter

#### ***D - Folding down the handlebars***

Open the steering column rapid tightening lever (8), press in the steering column spring button (3) lower the handlebars, then tighten the steering column rapid tightening lever (8).

#### ***E - Packing away the handles***

For each handle (1), press in the spring button (6), take the handle out (1) from its place in the stem (7), and put it in its plastic cover.

#### ***F - Folding the steering column***

Open the rapid tightening lever (11), then push the locking lever towards the front (5) to unlock the folding Mechanism (10). It will be easier to unlock if you push the steering column forwards (9). Then lower the steering column (9) until you reach the locking position, then tighten the rapid tightening lever(11).