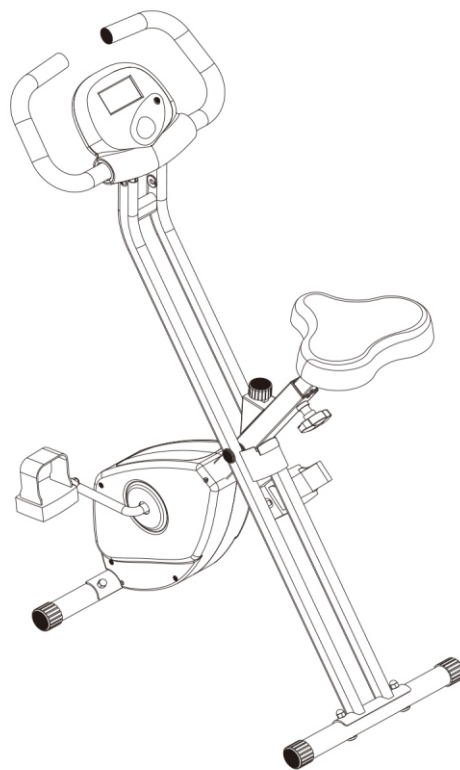


Soozier

INada099_US

A90-149



CONTENTS

Safety Precautions

Spare parts detail

Assembly method

Electronic watch function parameters

Use method

Maintenance



Please read the instructions carefully and follow the instructions correctly
Please keep it in order to confirm at any time after reading
When this product is transferred to another person, be sure to attach the instructions to ensure safety



ASSEMBLY INSTRUCTION

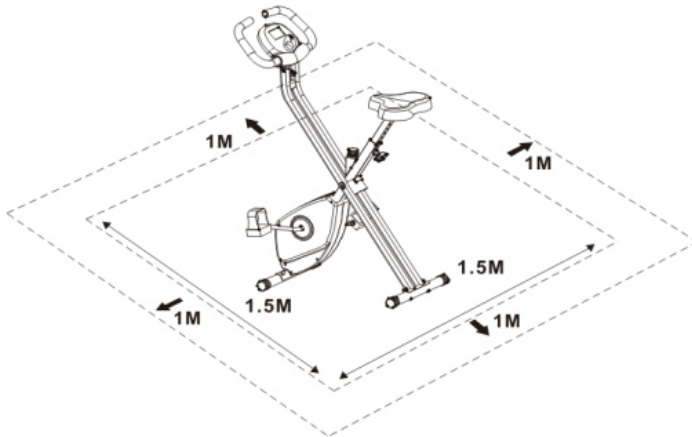
INSTRUCTION MANUAL

Thank you for purchasing a new smart oxygen exercise bike, please read the instructions before use, and confirm the purchase of goods is complete, without any damage caused by the transport.

1. CONSIDERATIONS




- Be sure to read and follow the safety precautions described below

 WARNING	
 PLEASE OBEY	If feel body no well When using this product, must stop it immediately, and consult your doctor immediately after using the doctor's instructions.
	To ensure safety, please check whether there is any damage or wear before use, especially the seat, screw, knob, if there is cracks or damage, should immediately stop using.
	Warning early use, do not exceed 30 minutes a day, and please follow the instructions to exercise, to avoid the wrong posture caused by sports injuries.
	If you feel abnormal or discomfort during exercise, stop using it immediately to avoid injury.
	Do not use this product after drinking or after a meal and use it at least one hour after a meal to avoid discomfort or accident.
	This product should be placed in a suitable place, such as flat and strong floor, so as not to fall or hurt.
	Wear suitable clothing during exercise to avoid injury or accident.
	Start using this product before the warm-up, light step and adjust the breathing and pace, slowly into the state of motion.
	Please read the use of sections in detail, such as the instructions picture across the seat, feet to ensure that stamped on the pedal, according to the use of mode instructions, the hand holding the handrail.
	When folding, please pay attention to children close to avoid injury.

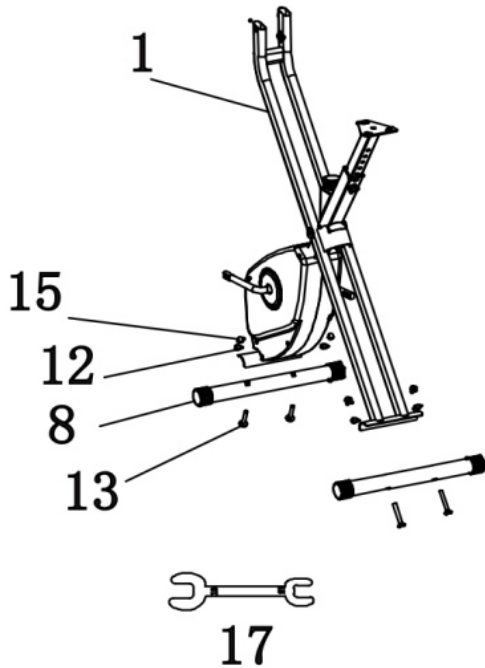


When using this product, please reserve the range of motion B, and reserve a free range of 1 meter around the A, the movement to ensure that the surrounding items, personnel and pets safe distance.

! WARNING

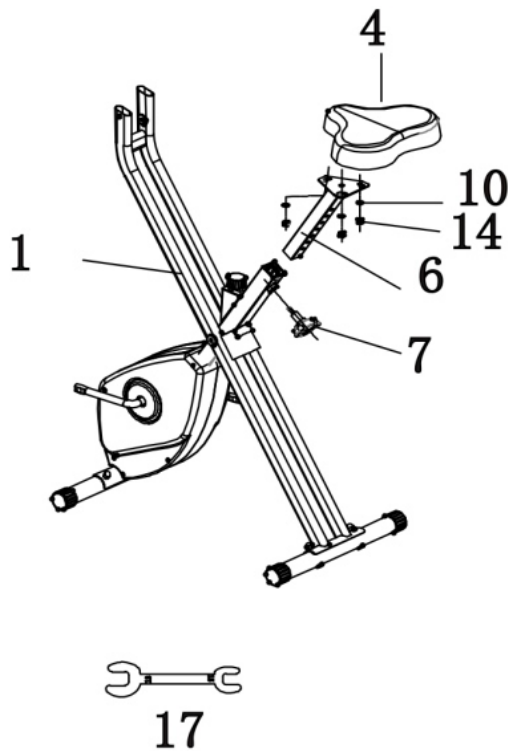
 PLEASE DO NOT DISASSEMBLE	Do not modify or modify the product yourself to avoid any abnormality or accident.
 CONFIRM	When using this product, make sure that the screws, and knobs have been posited to reduce the risk of accidents.
 PROHIBIT	Do not use this product if the knob is not in right position.
	Please do not use the instructions beyond to avoid injury or cause accidents.
	Do not use it for more than two people to avoid injury or cause accidents.
	This product is used in home, please do not apply to commercial use, so as to avoid injury or cause accident.
	This product prohibits the use of children, elderly or inconvenient, please use under the supervision of someone. Using, others or pets do not close, so as to avoid injury or cause accidents.

2.ASSEMBLE METHOD



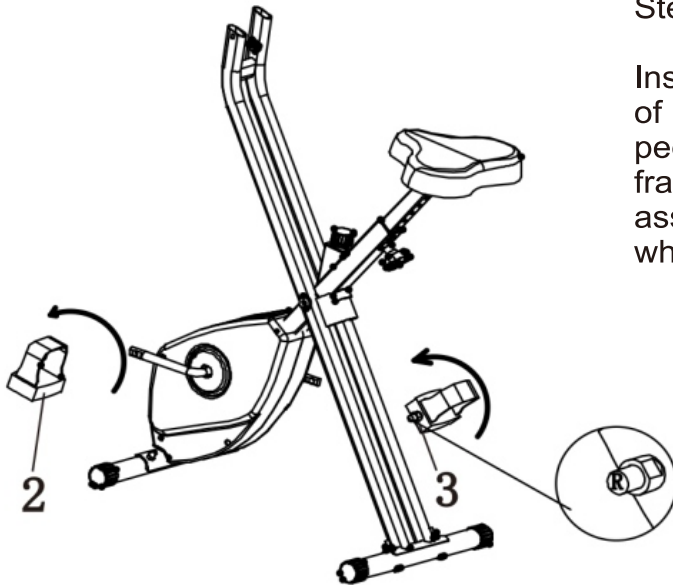
Step:1 assembly foot stool

Install the foot tube, the semi-circular head square neck screws through the foot tube, the main frame arc gasket, and cover the cap, with an open wrench lock



Step: 2 Assembly seat

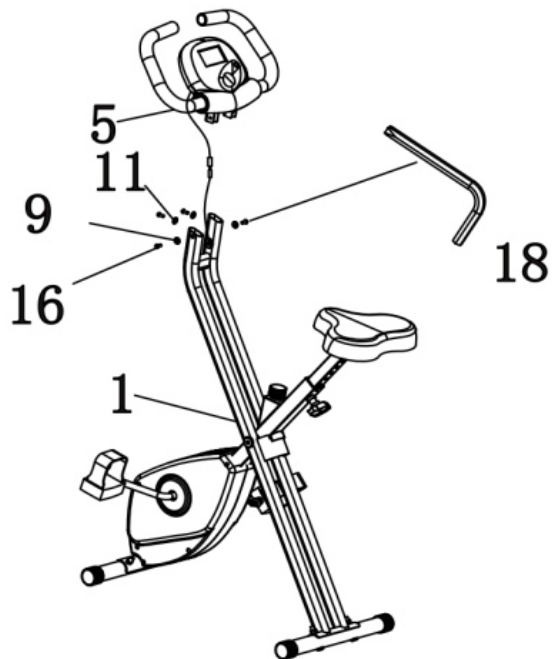
Remove the seat pre-set flat and nut, the cushion installed in the seat tube telescopic tube, with an open-end wrench to the flat and nut fixed lock, the cushion group into the tube, then the plum lotus knob inserted into the hole fixed lock tight.



Step: 3 assembly pedal

Install the foot pedal left on the left side of the main frame and install the foot pedal right on the right side of the main frame. Note: When the foot pedal is assembled, the foot is on the letter L, whether the left or the letter R is right.

3

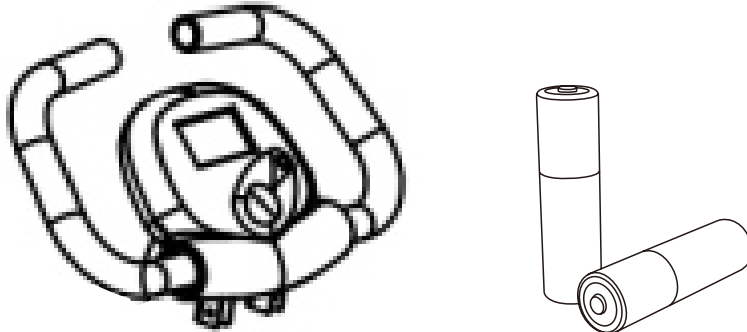


Step: 4 assembly handrail

Handrail installed to the front of the main frame, take the semi-round head of the hexagonal screw two were inserted through the gasket on both sides of the threaded hole. Take the two round head hexagon screws, respectively, through the arc washer into the back of the two screw holes, and fixed with a cross wrench lock. Reinstall the sensor head into the back of the electronic watch on the socket.

4

Step:5 put the battery to electronic watch



PART LIST

NO.	NAME	SPECIFICATION	QTY
15	Cap nut	M8	4
12	Curved gasket	08	4
13	Carriage screw	M8*50	4
16	Semicircular head screw	M6*15	4
9	flat pad	08	4

3.ELECTRONIC WATCH PARAMETER

Key function

This button is used to select or lock a function

This button is used to set the movement time, mileage, calories. Set the data countdown to zero followed by 15 beeps. Clear: This button is used to clear all data

Operational guidance

The system automatically opens to work, when there is a key operation or a motion signal into the system.

The system automatically shut down to stop working, when no key operation within four minutes or no motion signal into the system.

Reinstall the battery or press the mode button for three seconds or press to clear, the system will automatically reset the restore.

This button can select Auto Scan or point to a specific function.

Function Description

Press the mode button, so that the arrow points to the time position, will record the movement to start to stop the time.

Press the mode button, so that the arrow points to the speed position, the record shows the movement of the appropriate speed.

Press the mode button, Let the arrow point to the mileage position and record the number of miles that the movement starts to stop.

Press the mode button, Let the arrow point to the calorie position and record the movement to start to stop the consumption of calories.

Press the mode button, Let the arrow point to the time position and record the total mileage of the movement until the battery movement is changed.

Let the arrow point to the heartbeat position, the record shows the movement every minute heart rate data timely display.

Every four seconds automatically switch to display the various function parameters
If the display is blurred or abnormal, re-power or replace the battery.

seat height adjustment

First remove the plum lotus leaf knob after the height adjustment for the appropriate height of the seat, the plum lotus knob fixed lock.

Pedal resistance adjustment.

Pedal resistance adjustment, rotating the main frame of the resistance adjustment device, you can set the required foot resistance, clockwise rotation to increase the resistance, counterclockwise rotation to reduce resistance.

Fitness single ride

Hold your hand in front of your hand.

Maintain

Neutral detergent can be used to dilute the water to wipe the cloth carefully wipe the oil, and then dry with a dry cloth.

Do not use alkaline solvents, solvents such as solvents, volatile oils and other solvents.

Maintenance / inspection

Avoid high temperature, moisture or direct sunlight, please place in a well-ventilated place.

When not in use please fold the admission, and placed in the children can not touch the Department.

If you do not use it for a while, be sure to check the precautions before using this product and use it for normal use.

When you accidentally wet the product, use a dry cloth to avoid skidding.

In case of malfunction, abnormality or any operational problem, please contact us at the company.

Product recycling

Due to the different national recycling regulations, please refer to the relevant regulations.

US



001-877-644-9366
customerservice@aosom.com

CA



001-855-537-6088
customerservice@aosom.ca

UK



0044-800-240-4004
enquiries@mhstar.co.uk

DE



0049-(0)40-88307530
service@aosom.de

FR



0033-1-84166106
contact@aosom.fr

ES



0034-931294512
atencioncliente@aosom.es

IT



0039-0249471447
clienti@aosom.it