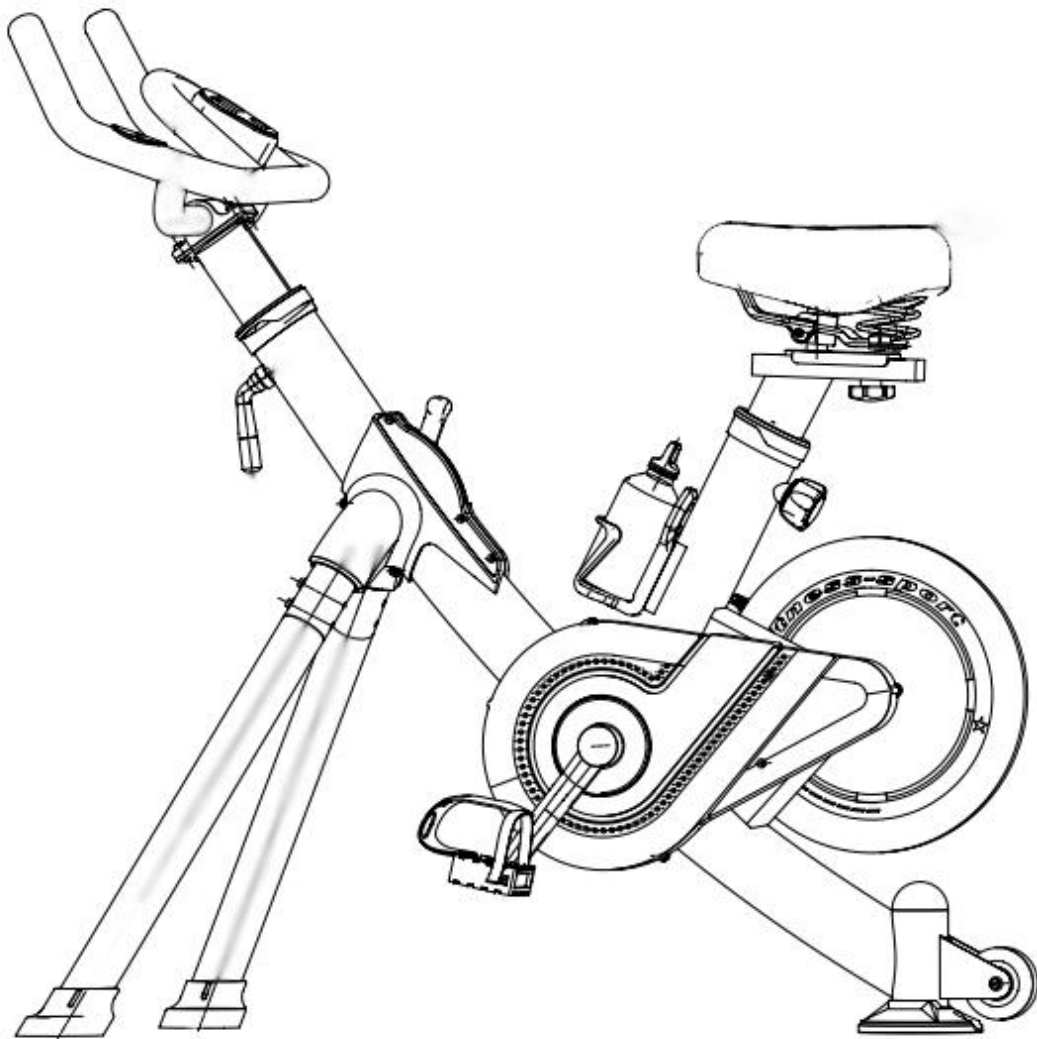


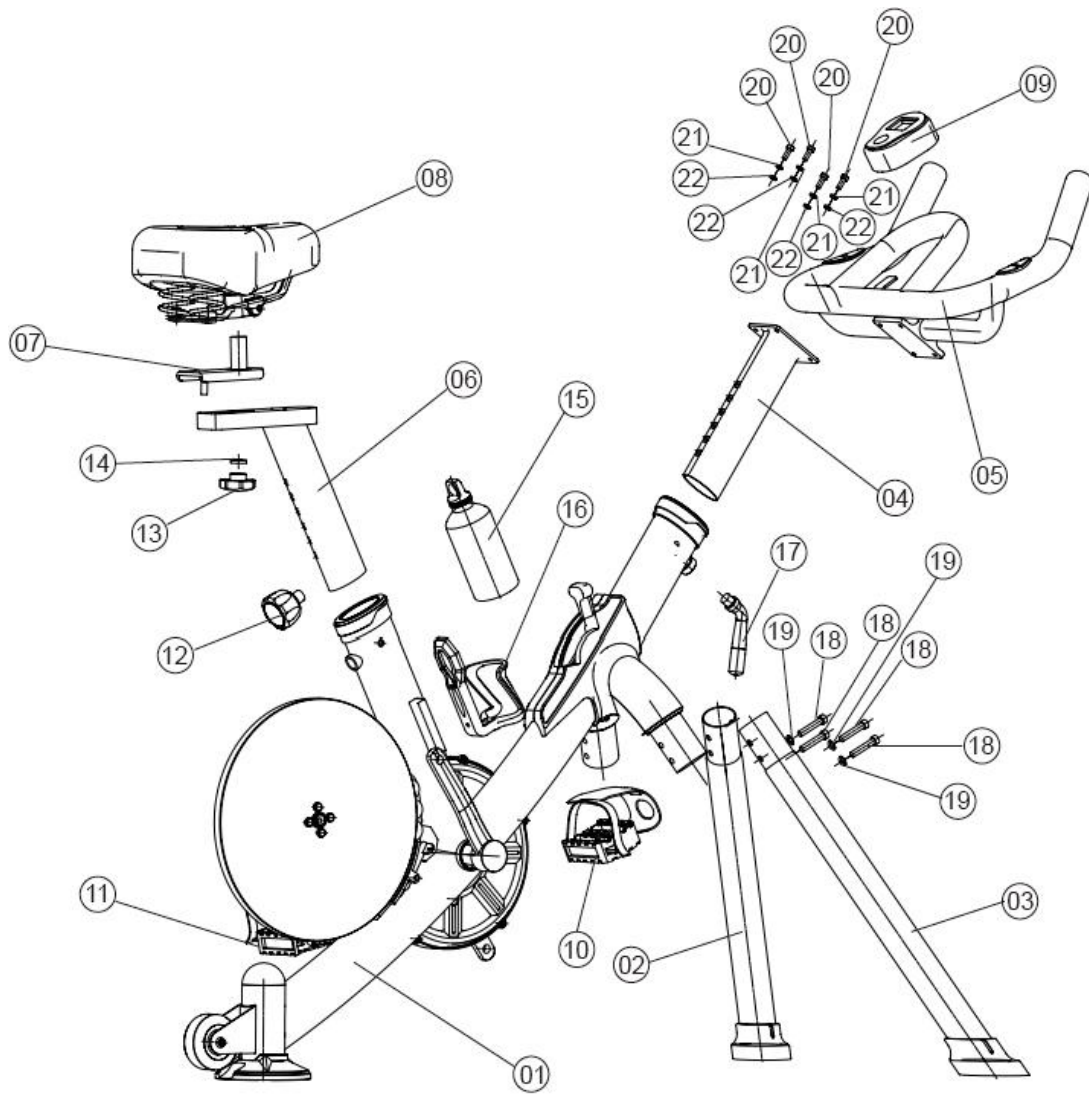
Soozier

Instructions of dynamic bicycle

A90-197 EN C000000



Explosive view of the product:



Detail list of the explosive view

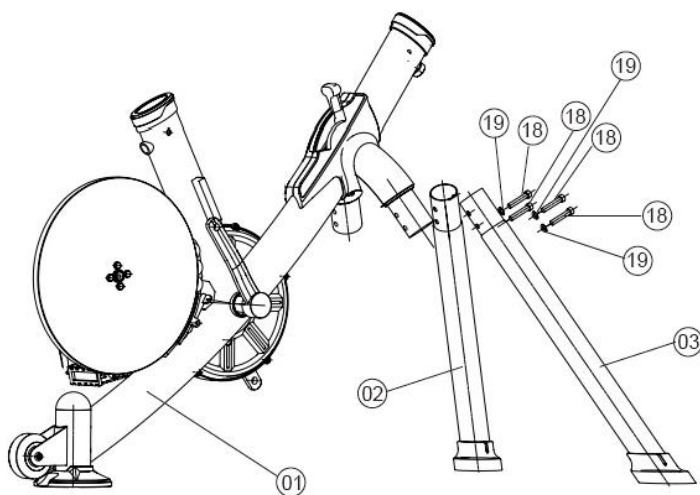
Number	Name	Specifications	Quantity
01	Host		1
22	Before his left foot		1
03	Before the right foot		1
04	Handlebar lift tube		1
05	Handlebar		1
06	Cushion lift tube		1
07	Cushion installation seat		1
08	Cushion		1
09	Electronic meter		1
10	Right pedal	R	1
11	Left 1 pedal	L	1
12	Pull knob		1
13	Gasket		1
14	A knob		1
15	The kettle		1
16	The kettle holder		1
17	Handlebar lock knob		1
18	Foot tube bolt	M8×40	4
19	Shim	Ø8	4
20	Handlebar bolt		4
21	Spring washer	Ø8	4
22	Flat washer	Ø8	4

Matters needing attention

1. Before any exercise plan is carried out, it is suggested that you should consult a doctor first.
2. Check that whether all bolts on the equipment are locked.
3. Do not expose the equipment to a wet place, which will cause a failure.
(Any failure and injury are caused by the reasons above, and we do not have any responsibility for this).
4. Please wear sports suit and gym shoes before starting to exercise.
5. Any strenuous exercise can only start 40 minutes after a meal.
6. To prevent injury, please warm up before exercising.
7. People with high blood pressure should consult a doctor before exercising.
8. Do not insert any other items in any part of the equipment, which will damage the equipment.

Assembly instructions

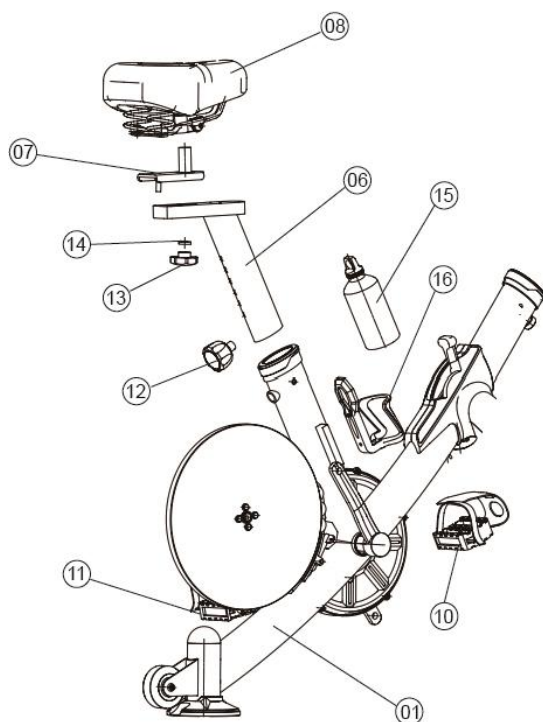
Assembly step 1:



Open the packing box, remove the above parts from the box, and place the main frame on the ground.

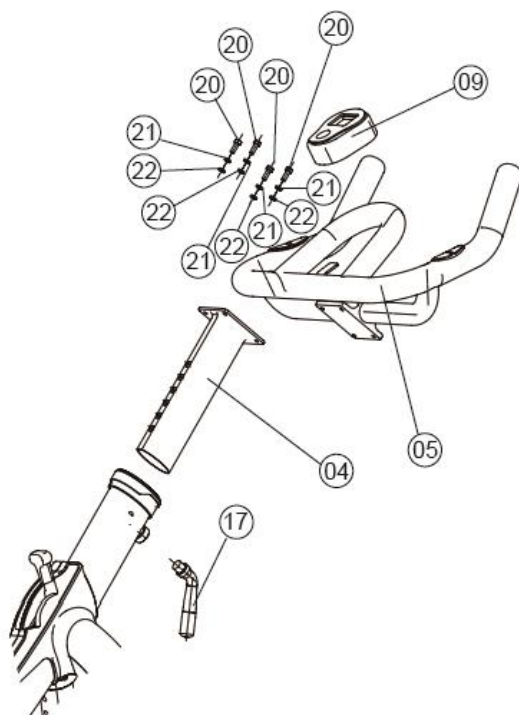
1. Use inner six angle wrench, pull the washer (19) on the half round head bolt (18), and lock the left foot tube (02) and the right foot tube (03) in the main frame (01).

Assembly step 2:



1. Insert (06) cushion lift tube into (01) main frame. Screw up (12) pull knob.
2. Lock the cushion (08) on the cushion installation seat (07), and locked on the (06) cushion lift pipe by the (13) knob.
3. Lock the left and right pedal on the (01) main frame respectively. **(Pay attention to distinguish the left and right pedal, the R tag on the foot corresponding to the R tag on the frame, L to L, and then screw tightly according to the direction of the whorl on the pedal)**

Assembly step 3:



1. Insert the (04) handlebar lift tube to the (01) main frame . Lock the (17) locking knob.
2. Install the (05) handlebar tube on the (04) handlebar lift tube by (20) bolt, (21) spring washer
3. Install the (09) electronic meter on (05) the electronic meter pedestal

Please note: it is necessary to unify all bolts after confirming that all the requirements are installed according to requirements above.

