



INadd039\_UK

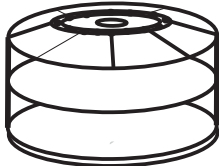
**A91-120**





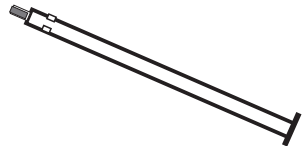
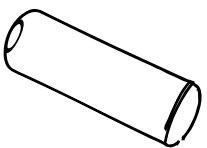
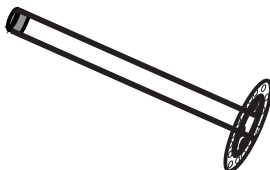

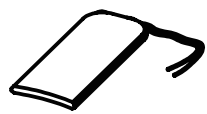
IMPORTANT, RETAIN FOR FUTURE REFERENCE: READ CAREFULLY

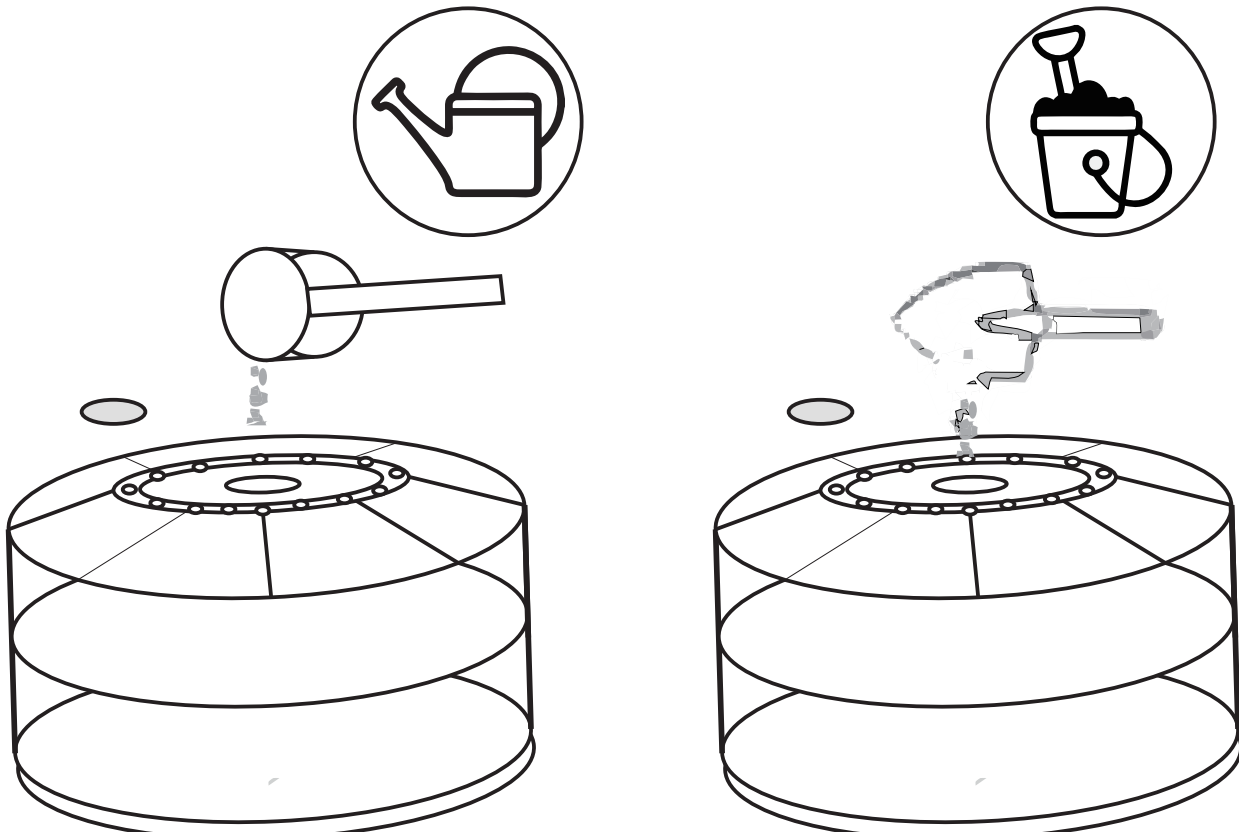
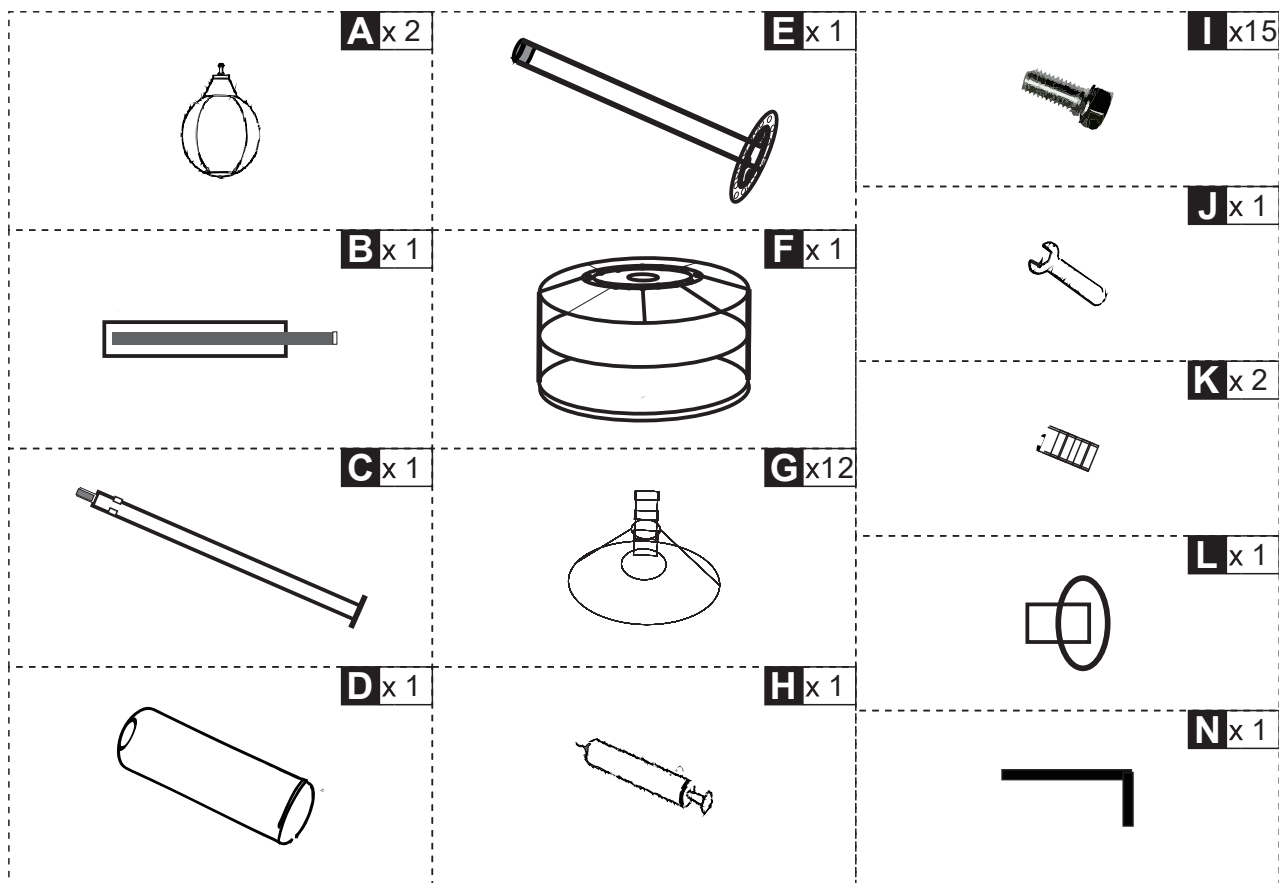
**ASSEMBLY & INSTRUCTION MANUAL**

**BOX-1/2**

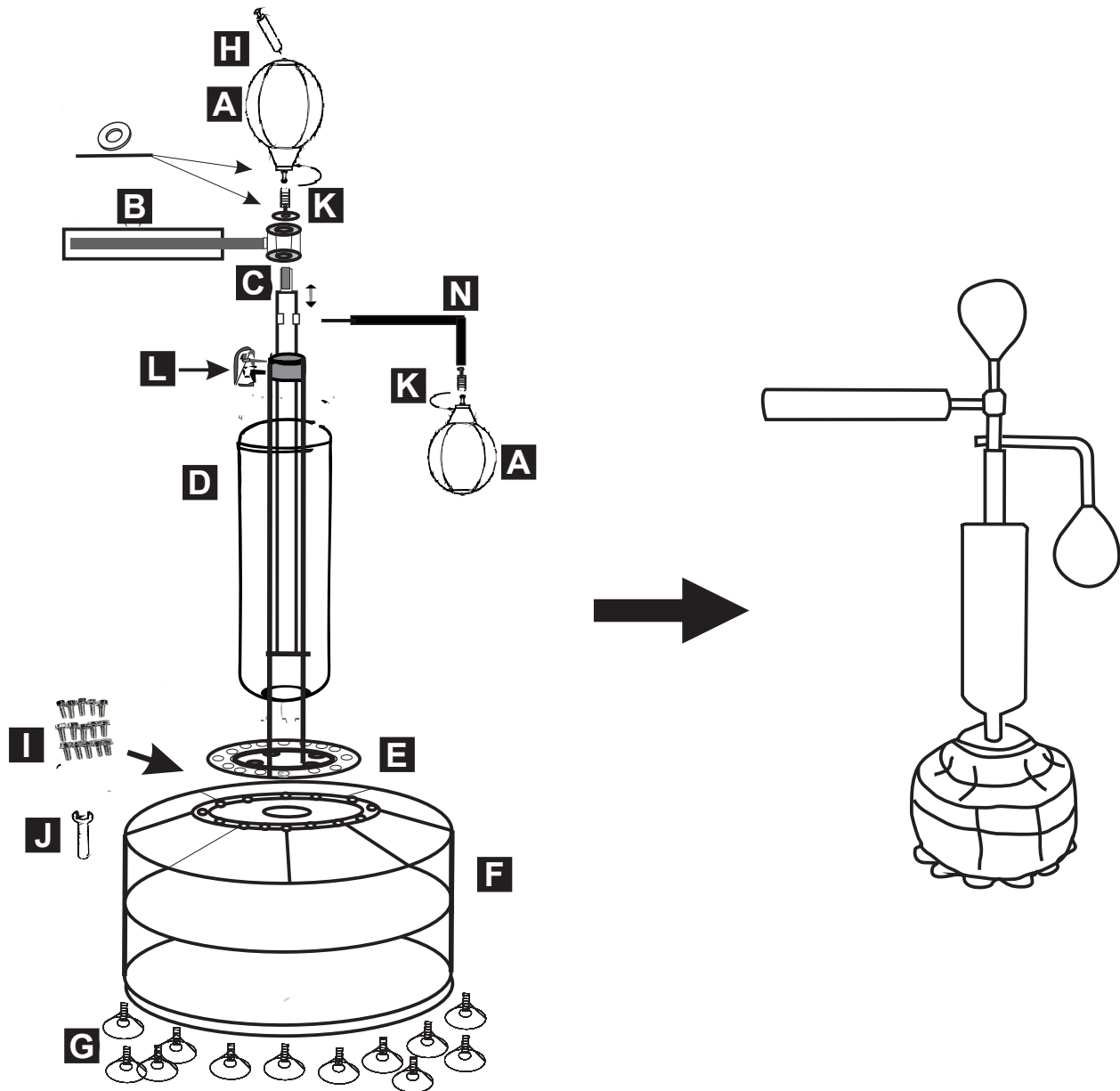
NO.	PARTS	QTY
F		1

**BOX-2/2**

NO.	PARTS	QTY
A		2
B		1
C		1
D		1
E		1
H		1
 <p data-bbox="965 2004 1252 2072">Hardware</p>		



Fill the base(F) with water or sand replacethe cap.



1. Install the suction cup (G) on the bottom of the base (F)
  2. Fix the connector (E) on base (F) with the wrench (J) and the Screw (I)
  3. Insert the upper section (C) into the Percussion body (D) and set to the desired height. use the butterfly screw to fix the upper section into place.
  4. Install the rotating rod (B) on the upper end of the adjusting rod (C), Install the pipe fitting (N) onto the main rod (C) and fix it
  5. Put the washer on top of adjusting rod (C) and install the spring (K)
  6. Pump up the punch ball by using the pump (H) provided, then screw into position at the top of the Spring (K)
  7. Only use a safe place, well away from all obstacles, breakable items or other hazards.
- Boxing is a contact sport. Any contact can be dangerous and result in serious injury. When boxing, be sure you are in good physical condition and under expert supervision. This equipment will provide limited protection but will not protect you against serious injury. Anyone using this equipment must assume the risk of any injury.

US



001-877-644-9366  
customerservice@aosom.com

CA



001-855-537-6088  
customerservice@aosom.ca

UK



0044-800-240-4004  
enquiries@mhstar.co.uk

DE



0049-(0)40-88307530  
service@aosom.de

FR



0033-1-84166106  
contact@aosom.fr

ES



0034-931294512  
atencioncliente@aosom.es

IT



0039-0249471447  
clienti@aosom.it