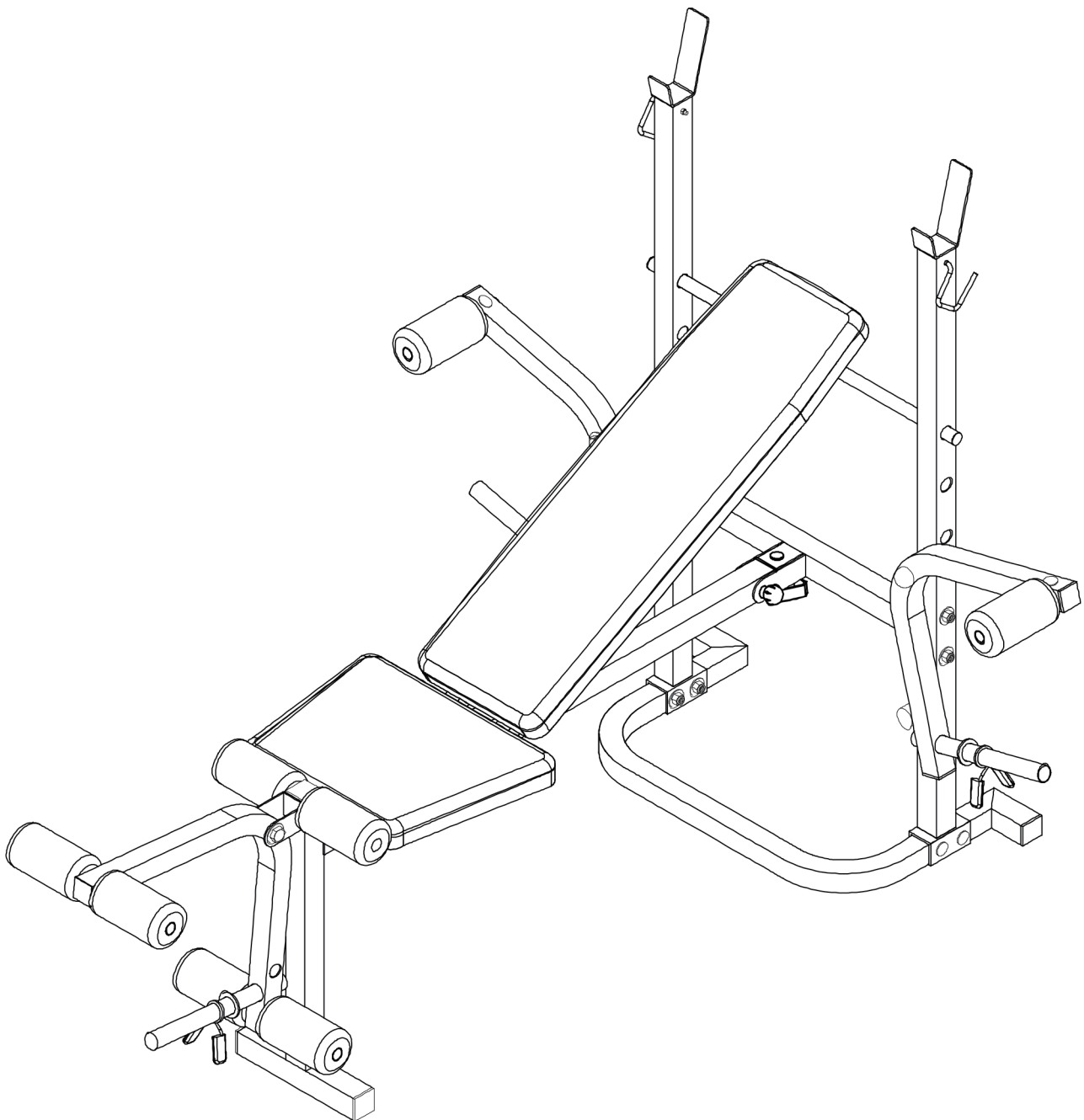




INadf002V02_UK

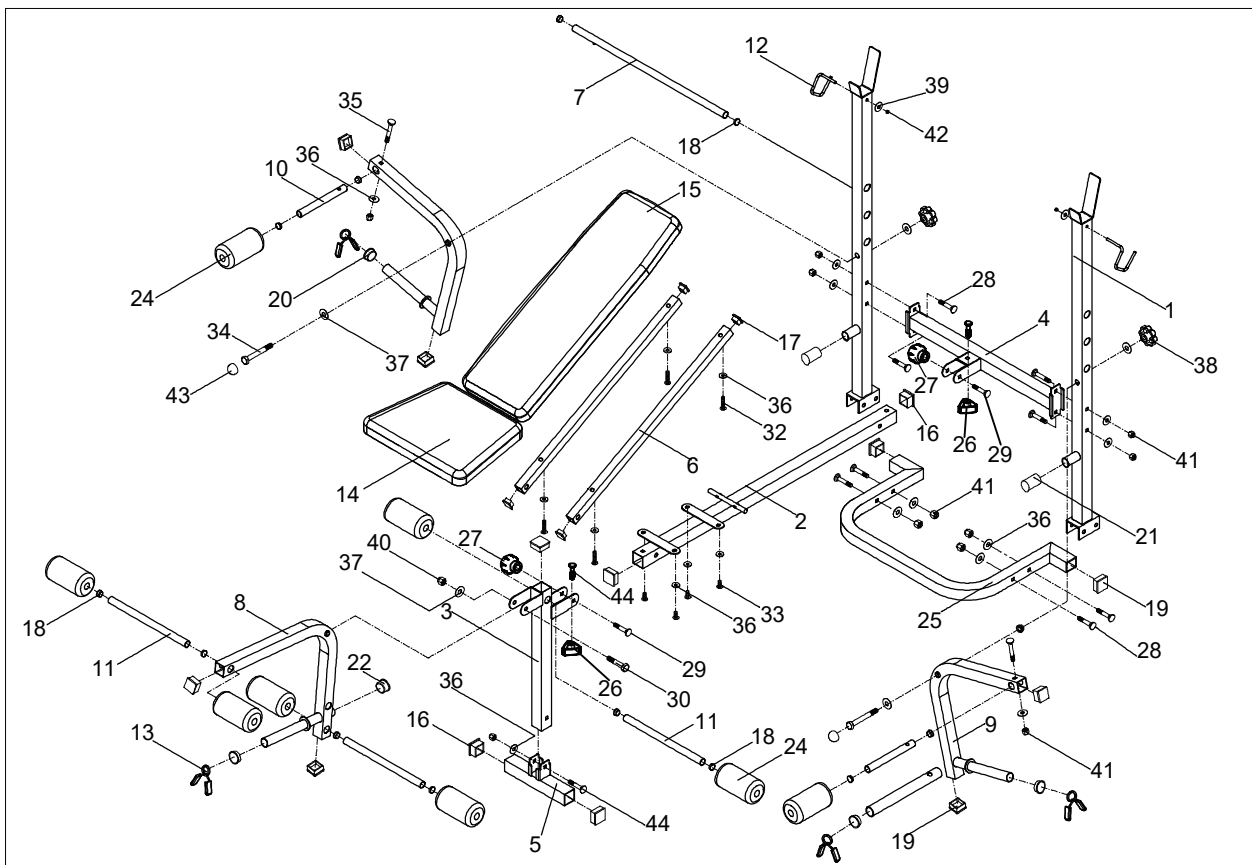
A91-054



IMPORTANT, RETAIN FOR FUTURE REFERENCE: READ CAREFULLY

ASSEMBLY & INSTRUCTION MANUAL

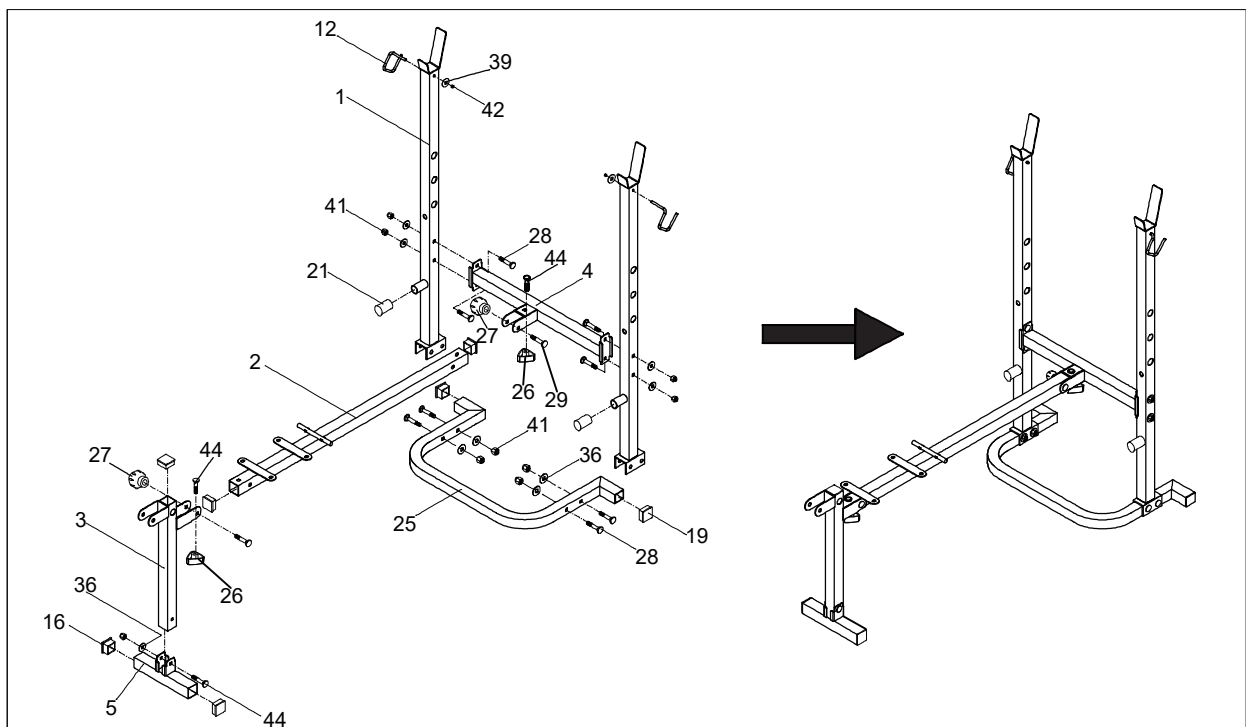
PART LIST:



No.	DESCRIPTION	NUMBER
1	Upright	2x
2	Main beam	1x
3	Front upright	1x
4	Cross beam	1x
5	Front Stabilizer	1x
6	Pivot Bar	2x
7	Cross bar	1x
8	Leg extension bracket	1x
9	Fly arm	2x
10	Foam tube	2x
11	Foam tube	3x
12	Fix locking	2x
13	Spring locking	3x
14	Seat	1x
15	Backrest	1x
16	End cap	5x
17	End cap	4x
18	End cap	10x
19	End cap	8x
20	End cap	7x

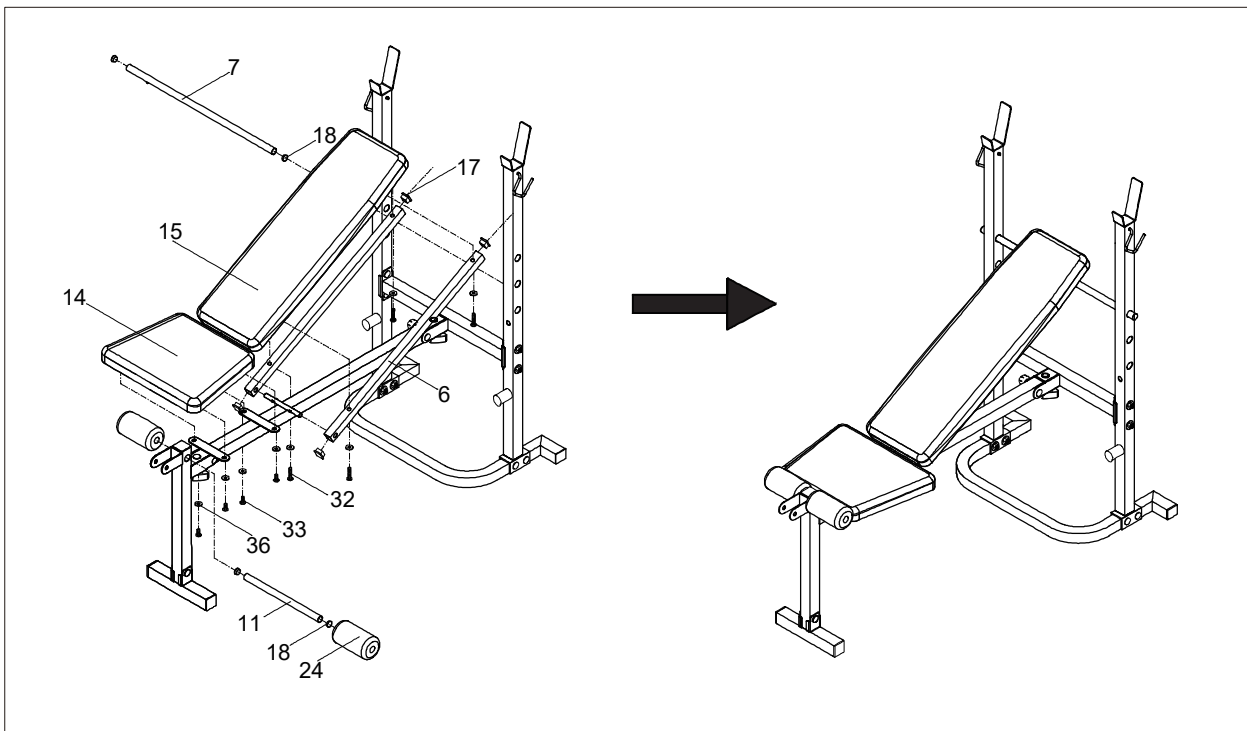
21	Protect cap	2x
22	Protect cap	1x
24	Foam	8x
25	“U” Rear stabilizer	1x
26	Knob	2x
27	Knob	2x
28	Screw 8 x 50 mm	8x
29	Screw 10 x 60 mm	2x
30	Screw 10 x 60 mm	1x
32	Screw 8 x 40 mm	4x
33	Screw 8 x 20 mm	4x
34	Screw 10 x 120 mm	2x
35	Screw 8 x 45 mm	2x
36	Washer 8 x 16 x 1,5 mm	19x
37	Washer 10 x 20 x 2 mm	5x
38	Knob	2x
39	Washer 6 x 16 x 1 mm	2 x
40	Nut M10	1x
41	Nut M8	11x
42	Nut M6	2x
43	Protect cap	2x
44	Screw 8 x 55 mm	3x

ASSEMBLY



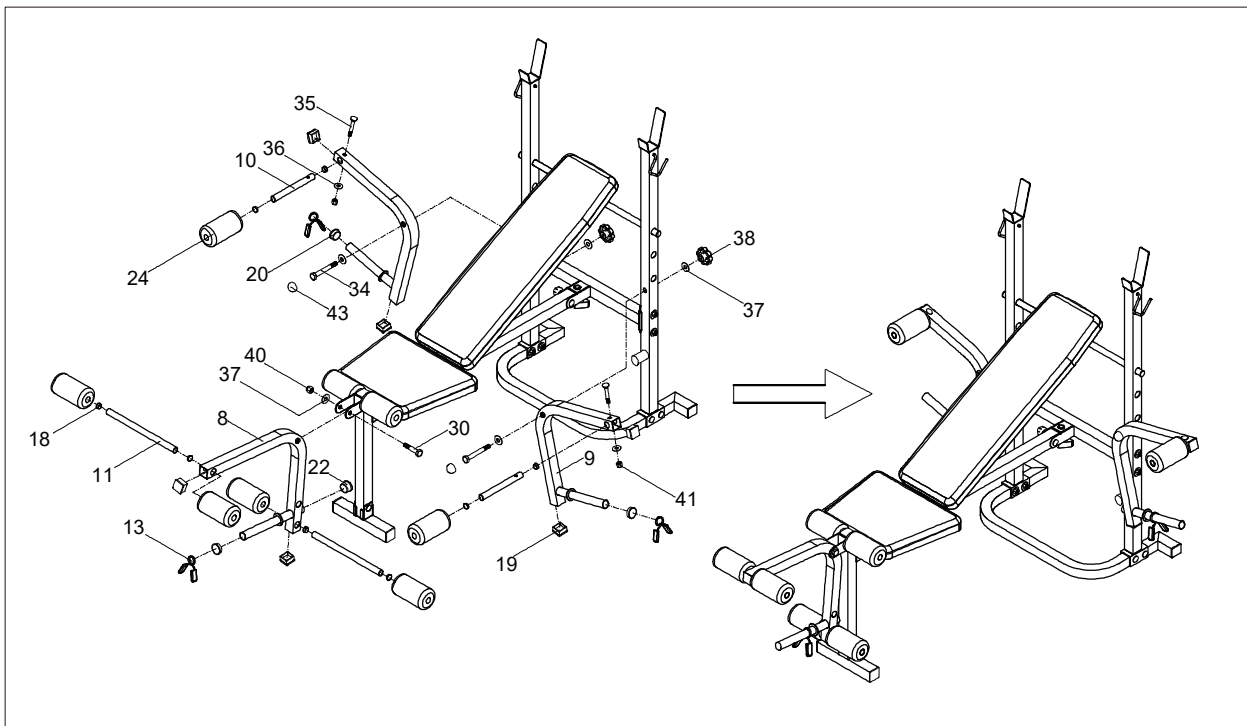
STEP 1

Fix the two uprights (1) to the “U” rear stabilizer (25) use 4 sets of screw (28), washer (36) and nut (41), connect the cross beam (4) to the two uprights (1) use 4 sets of screw (28), washer (36) and nut (41), attach the main beam (2) to the center of the cross beam (4) use one set of screw (29), knob (27) and one set of screw (44), knob (26). Then fix the front upright (3) to the front stabilizer (5) use one set of screw (44), washer (36) and nut (41), and connect the front upright (3) to the main beam (2) use one set of screw (29), knob (27) and one set of screw (44), knob (26).



STEP 2

Insert the cross bar (7) to the hole of the two uprights (1), attach the pivot bar (6) to the main beam (2), fix the backrest (15) on the pivot bar (6) use 4 sets of screw (32) and washer (36), then fix the seat (14) on the main beam (2) use 4 sets of screw (33) and washer (36), insert the foam tube (26) to the front upright (3) and attach the foam (27) to the foam tube (26).



STEP 3

Attach the foam (24) to the foam tube (10), insert the foam tube to the fly arm (9) use one set of screw (35), washer (36) and nut (41), then fix the two fly arms to the two uprights (1) use 2 sets of screw (34), washer (37), and knob (38), and attach the protect cap (43) on the screw (30). Fix the leg extension bracket (8) to the front upright (3) use one set of Screw (30), washer (37) and nut (40), insert the two foam tubes (11) to the leg extension bracket (8), then attach the foam (24) to the foam tube (11).